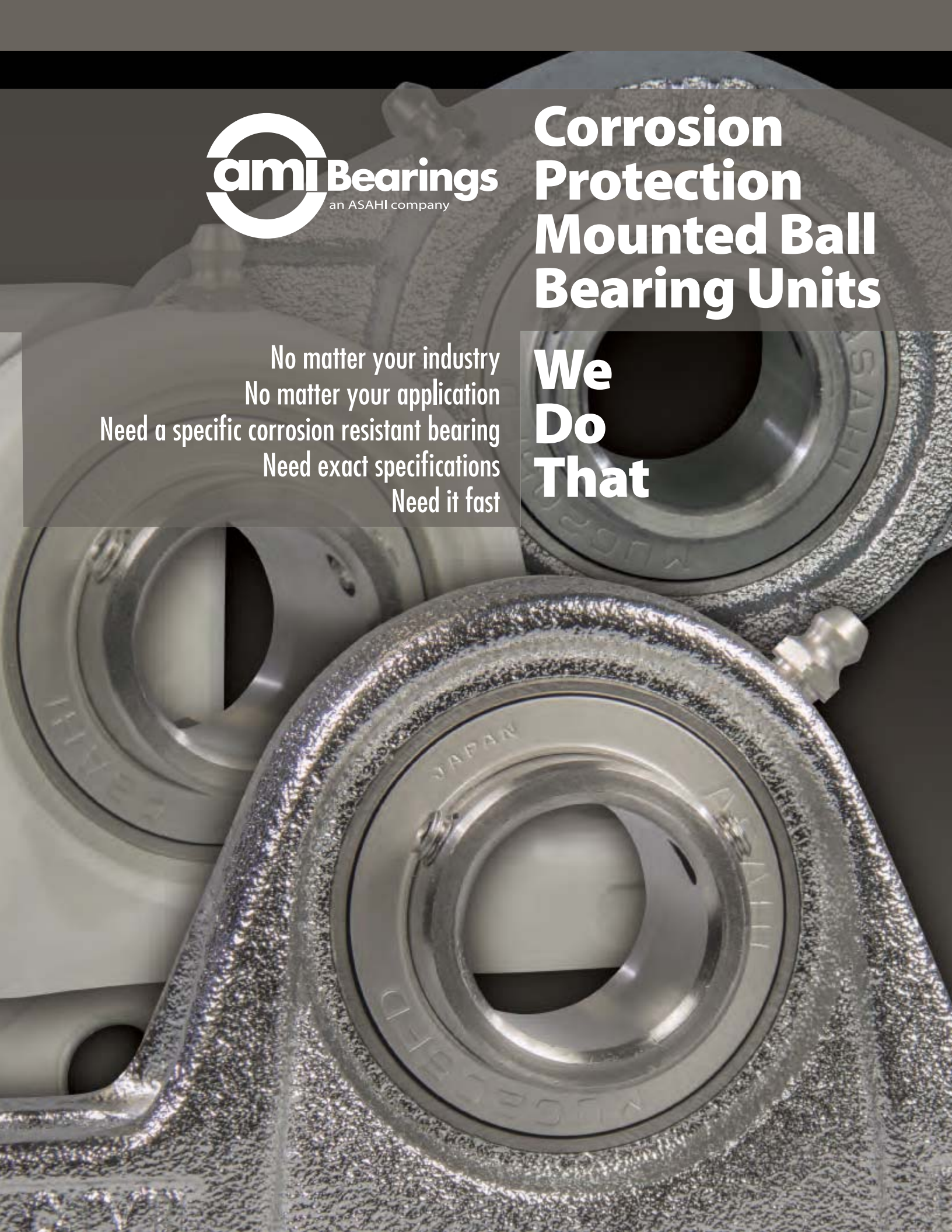




# Corrosion Protection Mounted Ball Bearing Units

No matter your industry  
No matter your application  
Need a specific corrosion resistant bearing  
Need exact specifications  
Need it fast

**We  
Do  
That**



No matter your industry - No matter your application -

When you need a corrosion resistant mounted ball bearing unit -

When you need exact specifications - When you need it fast - **We Do That**

# How We Do That



Personnel

- **Extraordinary AMI service personnel**

When you call in to AMI, you get extraordinary service from people who know our products exceptionally well. Our people stay with us so you get the benefit of all of their experience. And they're great people to talk to. Knowledgeable, helpful, and friendly.



Expertise

- **Technical expertise you can count on**

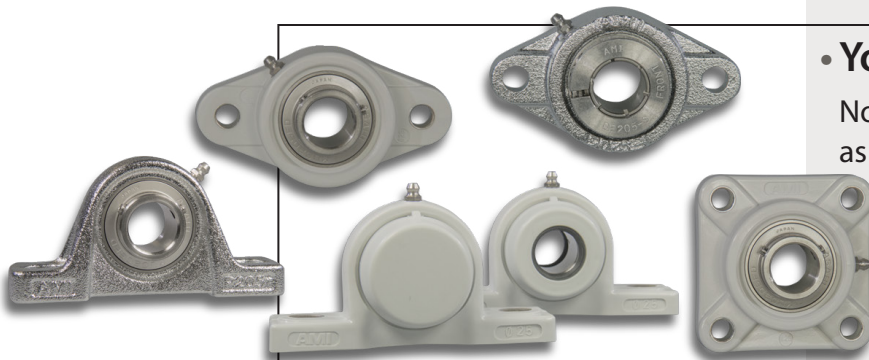
From standard configurations to configurations custom-tailored to your exact application, AMI's technical experts can help you make the right choices to achieve optimal bearing performance and longevity.



Availability

- **What you need IS available. Now.**

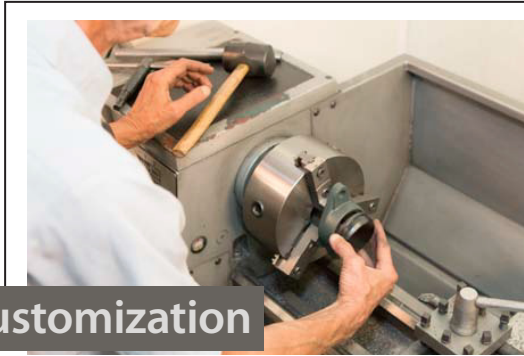
Tens of thousands of possible combinations are only meaningful if they are available to you immediately, from stock. AMI's warehouses have an ample supply of a wide range of parts so that virtually all of those choices ARE available to you. Immediately.



Choices

- **You need choices. We have them**

No other mounted ball bearing company offers as many styles, options and configurations of mounted ball bearing units and corrosion protection mounted ball bearing units as AMI. All with the quality that you need and expect from AMI.



Customization

- **We customize to your specs**

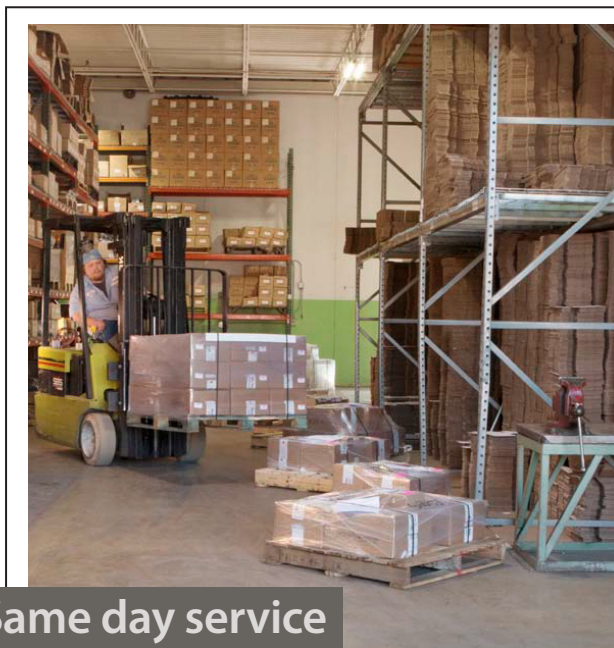
AMI has the in-house capacity to custom-tailor your bearings to exactly fit your needs. Including this example of a housing being grooved to accept a safety cap.



Precision

- **Precision assembly**

Whether your bearing is a common or uncommon one, large or small, it is assembled to precise tolerances and your exact specifications.



Same day service

- **Same day, out the door to you**

When you place your order by 4:00pm Central Time, Monday - Friday, we'll normally have your order shipped out the same day.

- **Expedited Delivery Service**

When your need is more urgent than standard shipping, call us: 800.882.8642, night or day, 365 days a year. Ask for AMI's Expedited Delivery Service and we'll do our very best to get you the bearings you need, fast. Even faster than our standard same day shipping services.

This service is available in most areas. Delivery methods may vary depending on your needs and available delivery options. Additional fees may apply.



**PRIME SERIES (page 12)**

AISI 440C Stainless Steel Bearing Insert  
PBT Thermoplastic Housing

**Typical Applications:**

- Beverage
- Dairy
- Fresh Meat Processing
- Poultry Processing
- Fruit and Vegetable Processing
- Pharmaceutical

**Bore Size Range Availability:**

1/2" to 2" and 12mm to 50mm

**SELECT PLUS SERIES (page 23)**

Zinc Corrosion Resistant AISI 52100 Steel Bearing Insert  
PBT Thermoplastic Housing

**Typical Applications:**

- Snack Foods
- Pickers
- Packers
- Agriculture

**Bore Size Range Availability:**

1/2" to 2" and 15mm to 50mm



**CHOICE SERIES (page 34)**

Kanigen Corrosion Resistant Set Screw Locking AISI 52100 Steel Bearing Insert  
PBT Thermoplastic Housing

**Typical Applications:**

- Beverage
- Snack Foods
- Pickle Processing
- Citrus Processing

**Bore Size Availability:**

1/2" to 2"



**CHOICE EXTRA SERIES (page 36)**

Kanigen Corrosion Resistant Accu-Loc® AISI 52100 Steel Bearing Insert  
PBT Thermoplastic Housing

**Typical Applications:**

- Food Processing Conveyor
- Pickle Processing
- Citrus Processing
- Glass Manufacturing
- Outside HVAC
- Labeling

**Bore Size Range Availability:**

3/4" to 1-1/2"

Accu-Loc® is a registered trademark of AMI Bearings, Inc.

**Ideal for HACCP Requirements**



A wide range of bearing and housing modifications are available, if you need something special, just ask!

**SHUR-SEAL SERIES (page 46)**

Stainless Steel or Zinc Corrosion Resistant AISI 52100 Steel Bearing Insert  
PBT Thermoplastic Housing with any combination of Closed Covers,  
Open Covers, and Back Seals

**Typical Applications:**

- Beverage
- Seafood
- Poultry Processing
- Fresh Meat Processing
- Pickle Processing
- Citrus Processing

**Bore Size Availability:**

1/2" to 1-1/2" and 20mm to 50mm

**Ideal for HACCP Requirements**



**PRIME PLUS SERIES (page 57)**

AISI 440C Stainless Steel Bearing Insert  
AISI 304 Cast Stainless Steel Housing

**Typical Applications:**

- Bakeries
- Seafood
- Poultry Processing
- Fresh Meat Processing
- Marine

**Bore Size Range Availability:**

1/2" to 2-1/2" and 12mm to 65mm

**Ideal for HACCP Requirements**



**CHOICE PLUS SERIES (page 65)**

Kanigen Corrosion Resistant Accu-Loc AISI 52100 Steel Bearing Insert  
AISI 304 Cast Stainless Steel Housing

**Typical Applications:**

- Canning
- Coating
- Grading
- Blending
- Bleaching

**Bore Size Range Availability:**

3/4" to 1-1/2"



**SELECT SERIES (page 72)**

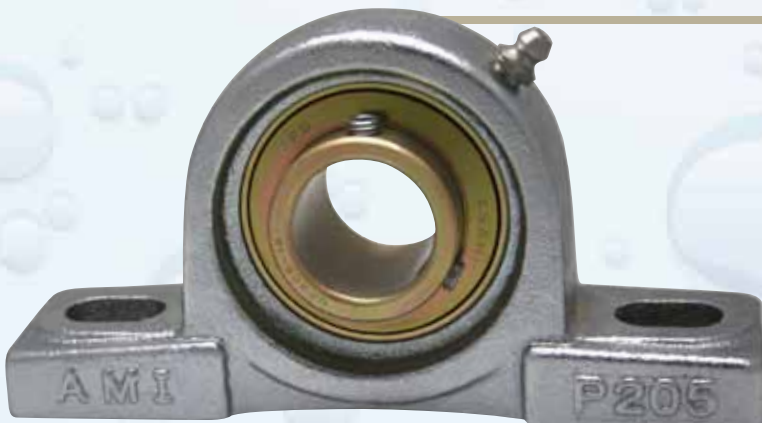
Zinc Corrosion Resistant AISI 52100 Steel Bearing Insert  
Nickel Corrosion Resistant Housing

**Typical Applications:**

- Agriculture
- Fertilizer and Manure Spreaders
- Lumber Processing
- Wet Recycling
- Pulp and Paper
- Waste Water Treatment
- Car Wash Systems

**Bore Size Range Availability:**

1/2" to 2-3/16" and 15mm to 50mm



**A wide range of bearing and housing modifications are available, if you need something special, just ask!**

OVERVIEW AND INTERCHANGE			PAGE
Corrosion Series Overview and Comparison			2
Interchange by Manufacturer			6
Prefix and Suffix Nomenclature			11
SERIES #	DESCRIPTION	LOCKING STYLE	
<b>PRIME SERIES: Stainless Steel Inserts in Thermoplastic Housings</b>			<b>12</b>
MUCPPL200	Pillow Block Units	Set Screw (Wide)	13
MUCTBL200	Tapped Base Pillow Block Units		14
MUCNFL200	Two-Bolt Flange Units		15
MBLF200	Two-Bolt Flange Units	Set Screw (Narrow)	16
MBLX200	Square Hole Two-Bolt Flange Units		16
MUCFBL200	Three-Bolt Flange Bracket Units	Set Screw (Wide)	17
MUCFPL200	Four-Bolt Flange Units		18
MUCTPL200	Take-Up Units		19
MUCNTPL200	Narrow Slot Take-Up Units		20
MUCWTPL200	Wide Slot Take-Up Units		21
MUCHPL200	Hanger Bearing Units		22
<b>SELECT PLUS SERIES: Zinc Corrosion Resistant Steel Inserts in Thermoplastic Housings</b>			<b>23</b>
UCPPL200MZ2	Pillow Block Units	Set Screw (Wide)	24
UCTBL200MZ2	Tapped Base Pillow Block Units		25
UCNFL200MZ2	Two-Bolt Flange Units		26
BLF200MZ2	Two-Bolt Flange Units	Set Screw (Narrow)	27
BLX200MZ2	Square Hole Two-Bolt Flange Units		27
UCFBL200MZ2	Three-Bolt Flange Bracket Units	Set Screw (Wide)	28
UCFPL200MZ2	Four-Bolt Flange Units		29
UCTPL200MZ2	Take-Up Units		30
UCNTPL200MZ2	Narrow Slot Take-Up Units		31
UCWTPL200MZ2	Wide Slot Take-Up Units		32
UCHPL200MZ2	Hanger Bearing Units		33
<b>CHOICE SERIES: Kanigen Corrosion Resistant Steel Inserts in Thermoplastic Housings</b>			<b>34</b>
UCPPL200MZ20	Pillow Block Units	Set Screw (Wide)	35
UCTBL200MZ20	Tapped Base Pillow Block Units		35
UCNFL200MZ20	Two-Bolt Flange Units		35
UCFBL200MZ20	Three-Bolt Flange Bracket Units		35
UCFPL200MZ20	Four-Bolt Flange Units		35
UCTPL200MZ20	Take-Up Units		35
UCNTPL200MZ20	Narrow Slot Take-Up Units		35
UCWTPL200MZ20	Wide Slot Take-Up Units		35
UCHPL200MZ20	Hanger Bearing Units		35
<b>CHOICE EXTRA SERIES: Accu-Loc Locking Kanigen Corrosion Resistant Steel Inserts in Thermoplastic Housings</b>			<b>36</b>
UEPPL200MZ20	Pillow Block Units	Accu-Loc	37
UETBL200MZ20	Tapped Base Pillow Block Units		38
UENFL200MZ20	Two-Bolt Flange Units		39
UEFBL200MZ20	Three-Bolt Flange Bracket Units		40
UEFPL200MZ20	Four-Bolt Flange Units		41
UETPL200MZ20	Take-Up Units		42
UENTPL200MZ20	Narrow Slot Take-Up Units		43
UEWTPL200MZ20	Wide Slot Take-Up Units		44
UEHPL200MZ20	Hanger Bearing Units		45
<b>SHUR-SEAL SERIES: Inserts in Thermoplastic Housings with Covers and/or Back Seal</b>			<b>46</b>
MUCPPL200C(CE)	Pillow Block Units w/Covers	Set Screw (Wide)	47
UCPPL200MZ2C(CE)			48
MUCTBL200C(CE)	Tapped Base Pillow Block Units w/Covers		49
UCTBL200MZ2C(CE)			50
MBNFL200C(CE)	Two-Bolt Flange Units w/Cover & Back Seal		51
BNFL200MZ2C(CE)		52	

SERIES #	DESCRIPTION	LOCKING STYLE	PAGE
<b>SHUR-SEAL SERIES: Inserts in Thermoplastic Housings with Covers and/or Back Seal</b>			
MBFBL200C(CE)	Three-Bolt Flange Bracket Units w/Cover & Back Seal	Set Screw (Narrow)	53
BFBL200MZ2C(CE)			54
MBFPL200C(CE)	Four-Bolt Flange Units w/Cover & Back Seal		55
BFPL200MZ2C(CE)			56
<b>PRIME PLUS SERIES: Stainless Steel Inserts in Stainless Steel Housings</b>			<b>57</b>
MUCP200	Pillow Block Units	Set Screw (Wide)	58
MUCTB200	Tapped Base Pillow Block Units		59
MUCFL200	Two-Bolt Flange Units		60
MBLFL200	Two-Bolt Flange Units	Set Screw (Narrow)	61
MUCFB200	Three-Bolt Flange Bracket Units	Set Screw (Wide)	62
MUCF200	Four-Bolt Flange Units		63
MUCT200	Take-Up Units		64
<b>CHOICE PLUS SERIES: Kanigen Corrosion Resistant Steel Inserts in Stainless Steel Housings</b>			<b>65</b>
UEMP200MZ20	Pillow Block Units	Accu-Loc	66
UEMTB200MZ20	Tapped Base Pillow Block Units		67
UEMFL200MZ20	Two-Bolt Flange Units		68
UEMFB200MZ20	Three-Bolt Flange Bracket Units		69
UEMF200MZ20	Four-Bolt Flange Units		70
UEMT200MZ20	Take-Up Units		71
<b>SELECT SERIES: Zinc Corrosion Resistant Steel Inserts in Nickel Corrosion Resistant Cast Iron Housings</b>			<b>72</b>
UCP200NPMZ2	Pillow Block Units	Set Screw (Wide)	73
UCTB200NPMZ2	Tapped Base Pillow Block Units		74
UCPA200NPMZ2	Tapped Base Pillow Block Units		74
UCFT200NPMZ2	Two-Bolt Flange Units		75
UCFB200NPMZ2	Three-Bolt Flange Bracket Units		76
UCFK200NPMZ2	Three-Bolt Flange Bracket Units		76
UCF200NPMZ2	Four-Bolt Flange Units		77
UCFCS200NPMZ2	Piloted Flange Cartridge Units		78
UCST200NPMZ2	Wide Slot Take-Up Units		79
UCT200NPMZ2	Wide Slot Take-Up Units (Metric)		79
UCECH200NPMZ2	Hanger Bearing Units		80
<b>INSERTS</b>			<b>81</b>
MUC200	Stainless Steel Ball Bearings	Set Screw (Wide)	82
UC200MZ2	Zinc Protected Steel Ball Bearings		83
UC200MZ20	Kanigen Protected Steel Ball Bearings		84
MSER200	Stainless Steel Cylindrical OD Ball Bearings	Set Screw (Narrow)	85
MB200	Stainless Steel Ball Bearings		86
B200MZ2	Zinc Protected Steel Ball Bearings	Accu-Loc	87
UE200MZ20	Kanigen Protected Steel Ball Bearing		88
<b>TECHNICAL &amp; COMPANY INFORMATION</b>			<b>89</b>
Materials			89
Tolerances			90
Seal Designs			90
Thermoplastic Advantages			91
Breaking Point Test			92
Bearing Mounting			93
Lubrication			95
Load Capacity and Life of Bearings			97
Terms & Conditions of Sale			98
Return of Materials Authorization			98
Limited Warranty			99
Literature Request			100
Company Profile			101

NOTE: Every effort has been put forth to ensure the accuracy of this catalog, but AMI Bearings, Inc. does not assume responsibility for any errors.

AMI Part #	Browning	Dodge	FYH	HUB CITY	INA	IPTCI	Link-Belt	MB	MRC/SKF	NTN	Sealmaster	Timken
<b>PILLOW BLOCKS</b>												
BLLP5-16	V SPL-116	P2B-VSCB-100	SBP205-16	PB100X1	PAKY1	SBP205-16	PL3-S216N			ASPB205-100	VPL-16	SAK1
BP5-16	VFS-116	P2B-VSC-100	SBPP205-16F	PB100LX1	PASEY1	SBP205-16				ASPP205-100	VP-16	SAS1
BPP5-16				PB100SX1	PBY1		KP-S216DC	PS251			SSP-16	
BPPL5-16MZZCEW							KP-S216D					
BPPL5-16MZZCW							KP-S216					
BPR5-16	SSRPS-116											
BPW5-16	VPS-116M			PB150X1							LP-16	GPSD1
KHLLP205												
KHLLP205-16	VPLE-116	P2B-SXVB-100		PB220X1	PAK1		PL3-W216U				VPL-16	VAK1
KHP205-16	VPE-116	P2B-SXV-200		PB221X1	PASE1		P3-W216U				VP-16E	VAS1
KHPP205-16	SSPE-116	P2B-SLX-100	SAPP205-16F		PB1						SSP16E	PB1
KHPR205-16	SSRPE-116				RPB1						LRP-16	RPB1
KHPW205-16	VPE-116M										LP-16E	
MUCP205-16	SPS-S216		UCSP205-16S6H1	PB251STWX1		SUCSP205-16					CRPS-PN216	
MUCP205-16NPN						SUCNPP205-16						
MUCPPL205-16CEW	CPS-S216 ECC											
MUCPPL205-16CW	CPS-S216 ECO			PB251CTWX1 CPOC							CRPC-PN16 ECC	
MUCPPL205-16W	CPS-S216		UCP205-16S6PL	PB251CTWX1 CPOC		SUCTP205-16					CRPC-PN16 ECO	
MUCPPW205-16			UCPP205-16S6H1								CRPC-PN16	
UCP205-16		P2B-SCH-100-E										
UCPL205-16	VPLS-216	P2B-SCB-100	SL205-16	PB250WX1	RAKY1	UCPL205-16	PL3-U216N				EMP-16	RAKHL1
UCMP205-16MZZ		P2B-SCEZ-100-SH									NPL-16	YAK1
UCP205-16	VPS-216	P2B-SC-100	UCP205-16	PB251WX1	RASEY1	UCP205-16	P3-U216N				BP-16	
UCP205-16NPMZZ			UCP205-16S7Z5	PBWZ71WZ-1	RASEY1-FA125	CUCNPP205-16	WP3S216E	NC251			NP-16	YAS1
UCP305-16			UCP305-16									YAS1NT
UCPEU306-19												
UCPH205-16			UCPH205-16				PE-U319					
UCPPL205-16MZZCEW	CPS-Z216 ECC	P2B-SCEZ-100-PCR ECC										
UCPPL205-16MZZCW	CPS-Z216 ECO	P2B-SCEZ-100-PCR ECO										
UCPPL205-16MZZW	CPS-Z216	P2B-SCEZ-100-PCR				CUCTP205-16						
UCPPL205-16W	CPS-216	P2B-SGEZ-100-P									NP-16C-CR	YAS1PT
UCPU306-19												
UCPX05-16	VPS-316	P2B-SCM-100	UCPX05-16	PB350X1		UCPX05-16	P-U319				MP-16	YASM1
UCSP205-16											SP-16	
UEL205	VPLB-216	P2B-DLB-100									NPL205TM	
UEL205-16											NPL-16T	
UEL205-16NP												
UEMP205-16MZZO		P2B-DLEZ-100SHCR									CRPS-PN16T	
UEP205											NP205TM	
UEP205-16	VPB-216	P2B-DL-100									NP16-T	RASC1
UEP205-16NPN												
UEPPL205-16MZZOW												
UGAK205-16	VPLE-216	P2B-DL-100-PCR	NAPK205-16	PB220WX1	RAK1	NAPL205-16					CRPC-PN16T	RAK1
UGAKH205-16		P2B-SXRB-100									RPL-16	RAKH1
UGAO307-23												RAO x 1-7/16
UGP205-16	VPE-216	P2B-SXR-100	NAP205-16	PB221WX1	RASE1	NAP205-16	P3-Y216N				RP-16E	RAS1
UGP305-16												
UGPEU307-23							PE-Y339					
UGPU307-23							P-Y339					
UGSAO307-23							P2-U339					
UKP206+HE2306			UKP206+HE2306									RSAX2-7/16



AMI Part #	Browning	Dodge	FYH	HUB CITY	INA	IPTCI	Link-Belt	MB	MRC/SKF	NTN	Sealmaster	Timken
<b>TAPPED BASE</b>												
KHSHE205					PSHEZ5-N							
MUCTB205-16			UCPAN205-16S6H1	TPE250STWx1		SUCSPA205-16			STB100SS			
MUCTB205-16NP						SUCNPPA205-16						
MUCTBL205-16CEW	CTBS-S216ECC			TPB250CTWx1 CPOC							CRTBC-PN16 ECC	
MUCTBL205-16CW	CTBS-S216 ECO			TPB250CTWx1 CPOC							CRTBC-PN16 ECO	
MUCTBL205-16W	CTBS-S216		UCPAN205-16S6PL	TPB250CTWx1					CTB100SS		CRTBC-PN16	
UCMTB205-16MZ2										UCUP205-D1	BTB-16	
UCPA205			UCPA205									
UCSHE205					RSHEY25-N							
UCTB205-16	VTBS-216	TB-SC-100	UCPAN205-16	TPB250Wx1	RSHEY1	UCPA205-16	PT3-U216N	TBC-25-1			TB-16	STB1
UCTB205-16NPMZ2						CUCNPPA205-16		NTBC-25-1				
UCTBL205-16MZCEW	CTBS-Z216 ECC	TB-SCEZ-100-PCR ECC										
UCTBL205-16MZCW	CTBS-Z216 ECO	TB-SCEZ-100-PCR ECO										
UCTBL205-16MZ2W	CTBS-Z216	TB-SCEZ-100-PCR										
UCTBL205-16W	CTBS-216	TB-SCEZ-100-P									TB-16C-CR	
UEPA205											TB205TMC	
UETB205-16	VTBB-216	TB-DL-100						KTBC-45-1			TB-16T	
UETB205-16NP								NTBC-25-1				
UETBL205-16MZ20W		TB-DL-100-CR									CRTBC-PN16T	
<b>TAKE UP</b>												
MUCNST205-16NP						SUCNPTRS205-16						
MUCNTPL205-16W			UCTRS205-16S6PL						CTN100SS			
MUCST205-16NP			UCST205-16S6H1			SUCNPT205-16						
MUCT205-16						SUCST205-16			STW100SS			
MUCTPL205-16W			UCT205-16S6PL									
MUCWTP205-16W				TU250Wx1					CTW100SS		BST-16	
UCNST205-16			UCTRS205-16E			CUCNPTRS205-16						
UCNST205-16NPMZ2												
UCNTPL205-16MZ2W		NSTU-SCEZ-100-PCR										
UCST205-16	VTWS-216	WSTU-SC-100	UCT205-16E	WSTU250Wx1	RTUEY1	UCT205-16	TH3-U216N	TC-25-1			ST-16	YTU1
UCST205-16NPMZ2					RTUEY1-FA125	CUCNPT205-16	WTH3-S216E	NTC-25-1				YTU1NT
UCT205			UCT205							UCT205D1		
UCT305-16			UCT305-16									
UCTPL205-16MZ2W		WSTU-SCEZ-100-PCR										
UCTX05-16	VTWS-316	WSTU-SCM-100	UCTX05-16E			UCTX05-16	WTH-S216E	TC-35-1			CRST-16	YTU1PT
UCWTP205-16MZ2W		WSTU-SCEZ-100-PCR									MST-16	YTUM1
UENTPL205-16MZ20W		NSTU-DL-100-CR									ST-16C-CR	
UEST205-16		WSTU-DL-100										
UEST205-16NP												
UET205											ST-16T	
UEWTP205-16MZ20W		WSTU-DL-100-PCR									ST205TMC	
<b>BEARING INSERT</b>												
B5-16	VS-116	INS-VSC-100	SB205-16	B250x1	GAY100-NPP-BAS2V	SB205-16G	SG216EL			AS205-100	L-16	YA100RRB
B5-16MZ2			SB205-16S7		GAY100-NPP-BAS2VFA125							
BR5-16	SLS-116					CSB205-16	SBG216EL	MSLN-16		ASS205-100	SL-16	
KH205-16	VE-116	INS-SXV-100	SA205-16F	B220x1	GRA100-NPP-BAS2V	SA205-16G	W216JUL			AEL205-100	V-16E	RA100RRB
KHR205-16	SLE-116				RA100-NPP	CSA205-16	WB216JUL			AELS205-100		
MB5-16			SB205-16S6									
M5ER205-16			ER205-16S6			SSER205-16						
MUC205-16	VS-S216		UC205-16S6PL	B250TWx1		SUC205-16				F-UC205-100D1		
MUC205-16RF												
SER205			ER205				ER205		RRH1100BRR			ER-205

AMI Part #	Browning	Dodge	FYH	HUB CITY	INA	IPTCI	Link-Belt	MB	MRC/SKF	NTN	Sealmaster	Timken
SER205-16	VER-216		ER205-16			ER205-16	UBGL216NL	ER-16			ER-16	ER16
SER205-16FSX								ER-16-SFF			ERX-16 (LO, XLO)	
SER205FSX											ERX205 (LO, XLO)	
SUE205-16								ER-16K			ER-205TMC	
SUE205-16FSX								ER-16K-SFF			ER-16T	
SUE205FSX											ERX205TM (LO, XLO)	
UC205											5205M	
UC205-16	VS-216	INS-SC-100	UC205-16	YW250x1	GY1100-KRR-B-AS2V	UC205-16	UG216NL	MB-25-1-PA	YAR205-100-2F	UC205-100D1	2-1	GY1100KRB
UC205-16AH	VS-216AH										CR-16	GY1100KRRBTD0F
UC205-16MZZ		INS-SC-100CR		YWZ250x1		CUC205-16						
UC205-16MZZ0		INS-SC-100-CR										
UC305-16	VS-316	INS-SCM-100	UC305-16	B350x1		UCX05-16		MB-35-1-PA	YAR206-100-2F	UC305-100D1	3-1	GYM1100KRRB
UCX05-16			UCX05-16					KMB-45-1-PA		UCX05-100D1	5205TMC	
UE205	VB-216	INS-DL-100									2-1T	
UE205-16											2-1T (LO, XLO)	
UE205-16FSX		INS-DL-100-CR									2-1TCR	
UE205-16MZZ0												
UE205FSX												
UE205-16	VE-216	INS-SXR-100	NA205-16	YW220x1	G1100-KRR-B-AS2V	NA205-16	YG216NL		VEL205-100-2F	UEL205-100D1	R-16E	G1100KRRB
UG307-23										UEL307-107D1		GN107KRRB
UK206+HE2306			UK206+HE2306									
UK306+HE2306			UK306+HE2306									
UKX06+HE2306			UKX06+HE2306									
UR205-16							UBG216NL					
<b>CARTRIDGE</b>												
KHRRCSM205-16					RCSMB1							RCSM1
UC205			UC205							UCC205		
UC305			UC305							UCC305		
UCFC205-16NPMZZ			UCFC205-16S7Z5					NPFC4251			SC-16	RFC/INT
UCLC205-16											SC205TMC	RC1
UEL205												
UEL205-16												
<b>2 BOLT FLANGE</b>												
BFT205-16												
BFX205-16	V2S-116M	LFT-SC-100		FB260x1	PCJTY1		FX-W216U			ASFD205-100	LFT-16	VFTD1
BLCTE205-16				FB160x1	FLCTEY1							
BLF5-16MZZW												
BLFL205-16			BLF205-16									
BNFL5-16MZZCEW	CF2S-Z216 ECC	F2B-SOZ-100-POR ECC										
BNFL5-16MZZCW	CF2S-Z216 ECO	F2B-SOZ-100-POR ECO										
BNFL5-16MZZW												
BPFL205-16	SSF2S-116	F2B-SL-100	SBPFL205-16	FB110Sx1	RATY1			FPS2-25-1	FTP1	ASPFL205-100	SSFT-16	VCJT1
KHFT205-16	VF2E-116	F2B-SXV-100	SAFL205-16	FB230x1	PCJT1	SAFL205-16	FX3-W216U		FYT1FM	AELFL205-100	VFT-16E	
KHFX205-16	VF2E-116M	LFT-SXV-100	SALF205-16H4		FLCTE1	SALF205-16H4	FX-W216U				LFT-16E	
KHLCTE205-16												FLCT1
KHLFL205-16			ALF205-16			SALF205-16						
KHPFL205-16	SSF2E-116	F2B-SLX-100	SAPFL205-16		RAT1		52MST216		FT1FM	AELFB205-100	SSFT-16E	RAT1
MBNFL205-16CEW	CF2S-S216 ECC			FB250CTWx1 CPOC					C2F100SS EC	AELPFL205-100		
MBNFL205-16CW	CF2S-S216 ECO			FB250CTWx1 CPOC								
MUCFLT205-16			UCSFL205-16S6H1	FB260S1Wx1		SUCSFL205-16				F-UCFM205-100	CRF2S-PN16	
MUCFLT205-16NP			UCFL205-16S6PL	FB250CTWx1		SUCNPFPL205-16				FUCFLR205-100D1	CRFTC-PN16	
MUCNFL205-16W	CF2S-S216						52MST-1					
PFL5							52MSTR-1					
PFT5												

AMI Part #	Browning	Dodge	FVH	HUB CITY	INA	IPTCI	Link-Belt	MB	MRC/SKF	NTN	Sealmaster	Timken
UCFA205-16			UCFA205-16		PSFT1					UCFA205-100D1		
UCFL205-16			UCFL205-16							UCFL205D1		
UCFL305-16			UCFL305-16							UCFL305-100D1		
UCFLX05-16	VF2S-316	F2B-SCM-100	UCFLX05-16			UCFLX05-16		F2-35-1	FYTM1TF	UCFLX05-100D1	MSFT-16	YCJT1M1
UCFT205-16	VF2S-216	F2B-SC-100	UCFL205-16	FB260Wx1	RCJTY1	UCFL205-16	FX3-U216N	F2-25-1	FYTB1TR	UCFL205-100D1	SFT-16	YCJT1
UCFT205-16NPMZ2			UCFL205-16S7Z5	FB280HWx1	RCJTY-FA125	CUCNPFL205-16	WFX3S216E	NFC2-25-1	ZZF100ZM			YCJT1NT
UCFT205-16TCMZ2		F2B-SCTC-100-CR					WFX3-S216E				BFT-16	
UCMFL205-16MZ2		F2B-SCEZ-100-SH				CUCTL205-16	KFX-S216E		CZF100ZM		SFT-16C-CR	YCJT1PT
UCNFL205-16MZ2W	CF2S-Z216	F2B-SCEZ-100-PCR						KFC2-45-1			SFT205TM	
UCNFL205-16W	CF2S-216	F2B-SCEZ-100-P						NFC2-25K-1			SFT-16T	
UEFT205												
UEFT205-16	VF2B-216	F2B-DL-100										
UEFT205-16NP												
UEFX205-16		LFT-DL-100										
UELFL205-16												
UEMFL205-16MZ20		F2B-DLEZ-100-SCHR									CRFTS-PN16T	
UENFL205-16MZ20W		F2B-DL-100-PCR									CRFTC-PN16T	
UETM205-16		LF-DL-100									TFT-16T	
UGCJT205-16		F2BZ-SXR-100			RCJTZ1							
UGJJT205-16	VF2E-216	F2B-SXR-100		FB230Wx1	RCJT1	NANFL205-16			FYT1MM	UELFLU205-100D1	RFT-16E	RCJT1
UKFL206+HE2306			NANFL205-16									
UKFL306+HE2306			UKFL206+HE2306									
UKFLX06+HE2306			UKFL306+HE2306									
UKFLX06+HE2306			UKFLX06+HE2306									
<b>3 BOLT FLANGE</b>												
BPF205-16	SSF3S-116	F3B-SL-100	SBPF205-16	FB100Sx1	RAY1			FPS3-25-1		ASPF205-100	SSF-16	
BPT205-16	SSF3TS-116				RATRY1			TFS-25-1			TSSF-16	
BTM205-16	VF3S-116M	LF-SC-100		FB150x1		SBRFB205-16	F-W216U				LF-16	
KHP205-16	SSF3E-116	F3B-SLX-100	SAPP205-16		RA1		52MSC216		F1FM	AELPF205-100	SSF-16E	RA1
KHPFT205-16	SSF3TE-100				RATR1		52MSTR216				TSSF-16E	RATR1
KHTM205-16	VF3E-116M	LF-SXV-100				SARFB205-16	F-W216U				LF-16E	VFD1
MBPF55-16			UCPF205-16S6H1									
MBPFTS5-16			UCPFT205-16S8H1			SUCSFB205-16						
MUCFB205-16			UCSFB205-16S8H1			SUCNPF205-16					CRFBFS-PN16	
MUCFB205-16NP			UCFB205-16S6PL			SUCTFB205-16						
MUCFBL205-16W			UCFB205-16S6PL									
PFS-16							52MS-1					
UCFB205-16	VFB-216	FB-SC-100	UCFB205-16			UCFB205-16	FB3-U216N	MFB-25-1			FB-16	
UCFB205-16NPMZ2			UCFB205-16S7Z5			CUCNPF205-16	WFB3S216E	NMFB-1				
UCFBL205-16MZ2CEW		FB-SCEZ-100-PCR ECC										
UCFBL205-16MZ2CW		FB-SCEZ-100-PCR ECO										
UCFBL205-16MZ2W		FB-SCEZ-100-PCR										
UCFBL205-16W		FB-SCEZ-100-P				CUCTFB205-16				UCFH205D1	FB-16-CR	
UCFK205												
UEMFB205-16MZ2											CRFBFS-PN16T	
UEFB205-16	VFB-216	FB-DL-100									FB16T	
UEFB205-16NP												
UEFBL205-16MZ20W		FB-DLEZ-100-PCR										
UEFK205											FB-16TC-CR	
<b>4 BOLT FLANGE</b>												
BF205-16	VF4S-116	F4B-VSC-100	SBF205-16	FB250x1	PCJY1	SBF205-16	F3-S216N				VF-16	SCJ1
BFL5-16MZ2CEW	CF4S-Z216ECC	F4B-SCEZ-100-PCR ECC					KF-S216DC				CRFC-PN16 ECC	
BFL5-16MZ2CW	CF4S-Z216 ECO	F4B-SCEZ-100-PCR ECO					KF-S216D		C4F100ZM EC		CRFC-PN16 ECO	
BPL5-16MZ2W							KF-S216					
KHF205-16	VF4S-116E	F4B-SXV-100	SAF205-16	FB220x1	PCJ1		F3-W216U			FY1FM	AELF205-100D1	VCJ1
MBFPL5-16CEW	CF4S-S216 ECC			FB250CTWx1 CPCC						C4F100SS EC		

AMI Part #	Browning	Dodge	FYH	HUB CITY	INA	IPTCI	Link-Belt	MB	MRC/SKF	NTN	Sealmaster	Timken
MBFPL5-16CW	CF4S-S216 ECO	F4B-SCEZ-100-SHCR	UCSF205-16S6H1	FB250CTWx1 CPOC FB250STWx1					S4F100SS		CRFS-PN16	
MUCF205-16			UCF205-16S6PL	FB250CTWx1		SUCNPF205-16			C4F100SS		CRFC-PN16	
MUCFPL205-16W	CF4S-S216	F4B-SC-100	UCF205-16E	FB250Wx1	RCJY1	F3-U216N	FC4-25-1		FY1TF	UCF205-100D1	SF-16	YCJ1
UCF205-16	VF4S-216		UCF205-16S7Z5	FB270HWZx1	RCJY1-FA125	WF3S216E	NFC4-25-1		Z4F100ZM	UCF305-100D1		YCJT1NT
UCF205-16NPMZ2			UCF305-16			FE-U339						
UCFEU312-39												
UCFPL205-16MZ2W	CF4S-Z216	F4B-SCEZ-100-PCR							C4F100ZM			
UCFPL205-16W		F4B-SCEZ-100-P	UCFS305							UCFS305D1		
UCFS305												
UCFU312-39	VF4S-316	F4B-SCM-100	UCFX05-16E	FB350x1		F-U339	FC4-35-1		FY1MTF	UCFX05-100D1	MSF-16	YCJM1
UCFX05-16		F4B-SCEZ-100-SH										
UCMF205-16MZ2	VF4B-216	F4B-DL-100					KFC4-45-1				SF16T	
UEF205-16		F4B-DLEZ-100-PCR									CRFC-PN16T	
UEFPL205-16MZ20W		F4B-DLEZ-100-PCR									CRFS-PN16T	
UEMF205-16MZ20		F4B-DLEZ-100SHCR										RCJOx27/16
UGCJO312-39												RCJ1
UGSLF205-16	VF4E-216	F4B-SXR-100	NANF205-16	FB220Wx1		F3-Y216N			FY1WF	UJELF205-100D1	RF-16E	RCJ1
UKF206+HE2306			UKF206+HE2306							UKF206D1+HE2306		
UKF306+HE2306			UKF306+HE2306									
UKFX06+HE2306			UKFX06+HE2306									
<b>FLANGE CARTRIDGE</b>												
KHME205					PME25-N							
MUCFCS208-24NP			UCFC205			SUCNPFCS205-16				UCFC205		
UCFC205			UCFCF205-16									RFC1
UCFCF205-16											SFC-24	
UCFCS208-24	VFCS-224	FC-SC-108					PFC4-25-1					
UCFCS208-24NPMZ2							NPFC4-25-1-12					
UCFCSX05-16	VFCS-316	FC-SCM-100	UCFCX05-16E	FC350x1		B/C UCNPFC208-24	PFC4-35-1			UCFCX05-100D1	MFC-16	
UCFCX05-16			UCFCX05-16									
UCME205					RMEY25N							
UEFC208-24NP												
UEFC208-24	VFCS-216	FC-DL-108									SFC-24T	GRFD1-1/2
UGGDR208-24												
<b>HANGER</b>												
MUCHECH205-16NP						SUCNPHA205-16						
MUCHPL205-16W			UCHA205-16S6PL									
UCHPL205-16MZ2			UCHA205-16S7PL									
UCECH205-16			UCHA205-16E2				MEHB-1			UCHB205-100D1	SEHB-16	RHC1 (Accuracy Style)
UCECH205-16NPMZ2							NIMEHB-1					
UEECH205-16		SCHB-DL-100										

Trademark and trade names used in this catalog are for reference purposes only and belong to the respective owners.

52100 Steel,  
Wide Inner Ring,  
Spherical OD, Set Screw

Pillow Block,  
Thermoplastic

1-Inch  
Bore

Zinc  
Bearing Insert

2 Open  
Covers

White  
Housing

**UCPPL205-16MZ2CW =**

**UC**

**PPL**

**205-16**

**MZ2**

**C**

**W**

(COMPLETE UNIT)

(BEARING)

(HOUSING)

(BORE SIZE)

(PROTECTION)

(COVERS)

(HOUSING COLOR)

**PROTECTION, COLORS & COVERS**

MZ2..... Zinc Bearing Insert  
 MZ20..... Kanigen Bearing Insert  
 NP..... Nickel-Plate (Copper Nickel Chrome)  
 W..... White Thermoplastic Housing  
 B..... Black Thermoplastic Housing  
 C..... 2 open covers  
 CE..... 1 closed cover and 1 open cover  
 BS..... Back Seal

**BEARING INSERTS**

MB..... 440C Stainless, Narrow Inner Ring, Spherical OD, Set Screw  
 MSER... 440C Stainless, Wide Inner Ring, Cylindrical w/Snap Ring, Set Screw  
 MUC..... 440C Stainless, Wide Inner Ring, Spherical OD, Set Screw  
 UC..... 52100 Steel, Wide Inner Ring, Spherical OD, Set Screw  
 UCW..... 52100 Steel, Wide Inner Ring, Spherical OD, Set Screw  
 UR..... 52100 Steel, Wide Inner Ring, Cylindrical OD, Set Screw  
 UE..... Black Oxide, Wide Inner Ring, Spherical OD, Accu-Loc  
 SUE... Black Oxide, Wide Inner Ring, Cylindrical OD w/Snap Ring, Accu-Loc  
 UCX.. 52100 Steel, Medium Duty, Wide Inner Ring, Spherical OD, Set Screw  
 UG..... 52100 Steel, Wide Inner Ring, Spherical OD, Eccentric  
 UGW..... 52100 Steel, Wide Inner Ring, Spherical OD, Eccentric  
 B..... 52100 Steel, Narrow Inner Ring, Spherical OD, Set Screw  
 BR..... 52100 Steel, Narrow Inner Ring, Cylindrical OD, Set Screw  
 KH..... 52100 Steel, Narrow Inner Ring, Spherical OD, Eccentric  
 KHR..... 52100 Steel, Narrow Inner Ring, Cylindrical OD, Eccentric  
 SER.. 52100 Steel, Wide Inner Ring, Cylindrical OD w/snap Ring, Set Screw  
 UK..... 52100 Steel, Spherical OD, Adapter  
 K000..... 52100 Steel, Extra Narrow Inner Ring, Set Screw  
 U000..... 52100 Steel, Extra Narrow Inner Ring, Eccentric  
 MU000..... Stainless Steel, Extra Narrow Inner Ring, Eccentric

**SPECIAL BEARING INSERTS**

PAGD..... Poly-Acetal Races with Glass Balls, Double Row,  
Wide Inner Ring, Spherical OD, Set Screw  
 PAGS..... Poly-Acetal Races with Glass Balls, Double Row,  
Wide Inner Ring, Spherical OD, Set Screw  
 PAMD..... Poly-Acetal Races with Stainless Balls, Double Row,  
Wide Inner Ring, Spherical OD, Set Screw  
 PAMS..... Poly-Acetal Races with Stainless Balls, Double Row,  
Wide Inner Ring, Spherical OD, Set Screw  
 PAV..... Poly-Acetal Races Sleeve/Bushing

**SERIES**

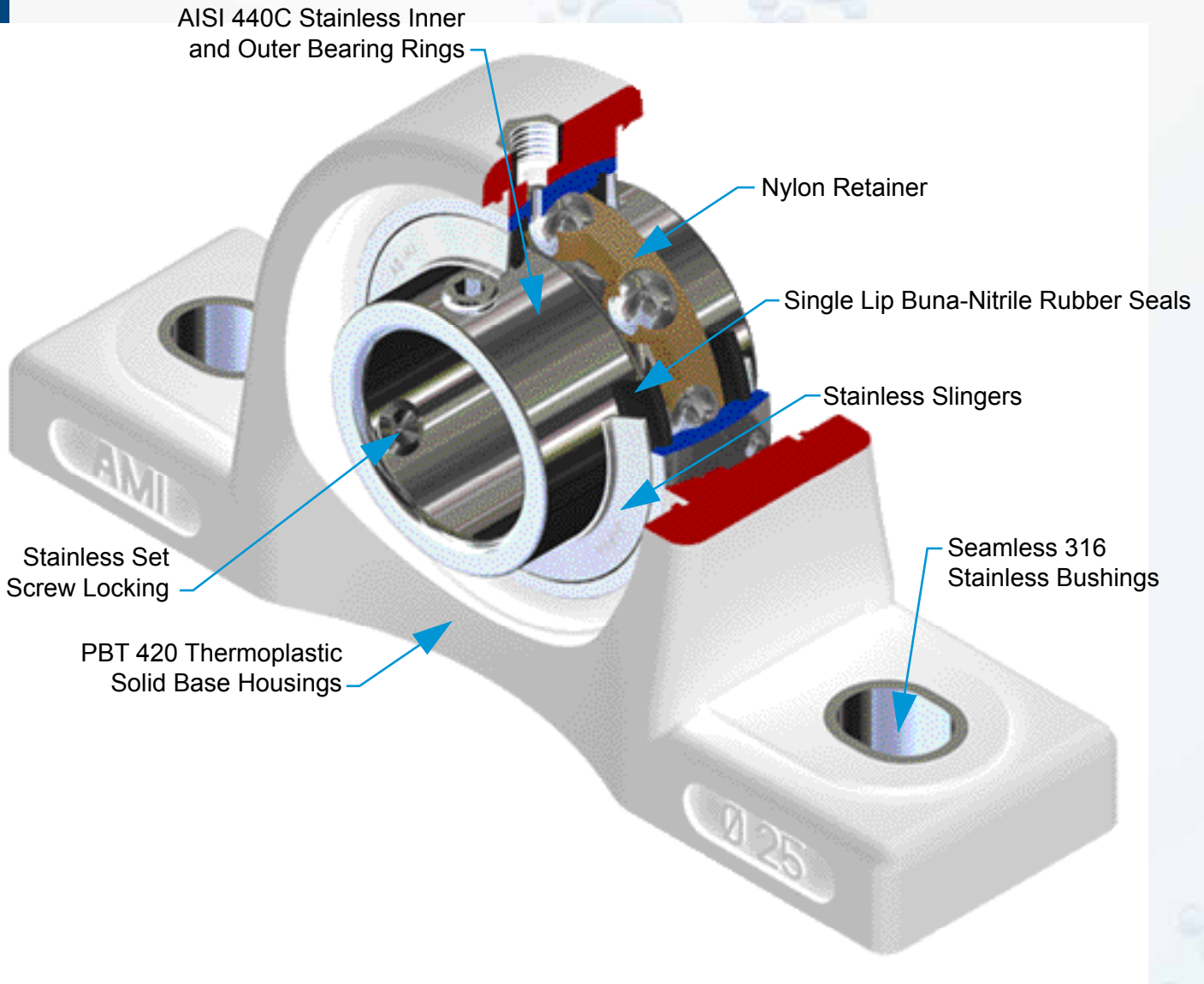
000..... Extra Light Duty  
 200..... Normal Duty  
 X00..... Medium Duty  
 300..... Heavy Duty

**HOUSINGS**

FT2..... 2 Bolt Flange, Gray Cast Iron  
 FL..... 2 Bolt Flange, Gray Cast Iron  
 FJT..... 2 Bolt Flange, Gray Cast Iron  
 CJTZ..... Piloted 2 Bolt Flange, Gray Cast Iron  
 LFL..... 2 Bolt Flange, Gray Cast Iron  
 FX..... 2 Bolt Flange, Malleable Cast  
 LCTE..... 2 Bolt Flange, Malleable Cast  
 PFL..... 2 Bolt Flange, Pressed Steel  
 FA..... 2 Bolt Adjustable Flange, Gray Cast Iron  
 NFL..... 2 Bolt Flange, Thermoplastic  
 LF (204-205)..... 2 Bolt Flange, Thermoplastic, Round Bolt Hole  
 LX (204-205)..... 2 Bolt Flange, Thermoplastic, Square Bolt Hole  
 P200..... Pillow Block, Gray Cast Iron  
 LP..... Low Base Pillow Block, Gray Cast Iron  
 AK..... Low Base Pillow Block, Gray Cast Iron  
 EP..... Expansion Type Pillow Block, Gray Cast Iron  
 LLP..... Pillow Block, Gray Cast Iron  
 PP..... Pillow Block, Pressed Steel  
 PR..... Rubber Cushioned Pillow Block, Pressed Steel  
 PW..... Pillow Block, Malleable Cast  
 PPL..... Pillow Block, Thermoplastic  
 TB..... Tapped Base Pillow Block, Gray Cast Iron  
 PA..... Tapped Base Pillow Block, Gray Cast Iron  
 TBL..... Tapped Base, Thermoplastic  
 PH..... Pedestal Base Pillow Block, Gray Cast Iron  
 FB..... 3 Bolt Flange Bracket, Gray Cast Iron  
 FK..... 3 Bolt Flange Bracket, Gray Cast Iron  
 TM..... 3 Bolt Flange, Malleable Cast  
 PF..... 3 Bolt Flange, Pressed Steel  
 PFT..... 3 Bolt Flange, Pressed Steel  
 FBL..... 3 Bolt Flange Bracket, Thermoplastic  
 F..... 4 Bolt Flange, Gray Cast Iron  
 LF..... 4 Bolt Flange, Gray Cast Iron  
 SLF..... 4 Bolt Flange, Gray Cast Iron  
 FPL..... 4 Bolt Flange, Thermoplastic  
 FC..... Piloted Flange Cartridge, Gray Cast Iron  
 FCS..... Piloted Flange Cartridge, Gray Cast Iron  
 FCF..... Piloted Flange Cartridge, Gray Cast Iron  
 ST..... Wide Slot Take-Up, Gray Cast Iron  
 T..... Take-Up, Gray Cast Iron  
 NST..... Narrow Slot Take-Up, Gray Cast Iron  
 TPL..... Take Up, Standard Slot, Thermoplastic  
 WTPL..... Take Up, Wide Slot, Thermoplastic  
 NTPL..... Take Up, Narrow Slot, Thermoplastic  
 ECH..... Hanger Bearing, Gray Cast Iron  
 HPL..... Hanger, Thermoplastic  
 LC..... Cartridge, Gray Cast Iron  
 C..... Cartridge, Gray Cast Iron  
 PX00..... Medium Duty Pillow Block, Gray Cast Iron  
 FLX..... Medium Duty 2 Bolt Flange, Gray Cast Iron  
 FX00..... Medium Duty 4 Bolt Flange, Gray Cast Iron  
 FCSX..... Medium Duty Flange Cartridge, Gray Cast Iron  
 FCX..... Medium Duty Flange Cartridge, Gray Cast Iron  
 TX00..... Medium Duty Take-Up, Gray Cast Iron  
 P300..... Heavy Duty Pillow Block, Gray Cast Iron  
 P-U..... Heavy Duty Pillow Block, Gray Cast Iron  
 PE-U... Heavy Duty Expansion Pillow Block, Gray Cast Iron  
 AO..... Heavy Duty Pillow Block, Gray Cast Iron  
 SAO..... Heavy Duty Pillow Block, Gray Cast Iron  
 FL300..... Heavy Duty 2 Bolt Flange, Gray Cast Iron  
 F300..... Heavy Duty 4 Bolt Flange, Gray Cast Iron  
 FS... Heavy Duty 4 Bolt Flange with Pilot, Gray Cast Iron  
 CJO..... Heavy Duty 4 Bolt Flange, Gray Cast Iron  
 T300..... Heavy Duty Take-Up, Gray Cast Iron  
 C300..... Heavy Duty Cartridge, Gray Cast Iron  
 P000..... Silver Series, Pillow Block, Zinc Alloy  
 FL000..... Silver Series, 2 Bolt Flange, Zinc Alloy  
 ME..... Piloted Flange Cartridge, Gray Cast Iron  
 SHE..... Tapped Base Pillow Block, Gray Cast Iron  
 RCSM..... Cartridge, Rubber  
 SP..... Pillow Block, Gray Cast Iron

# PRIME SERIES

(Stainless Steel Bearing Insert in Thermoplastic Housing)

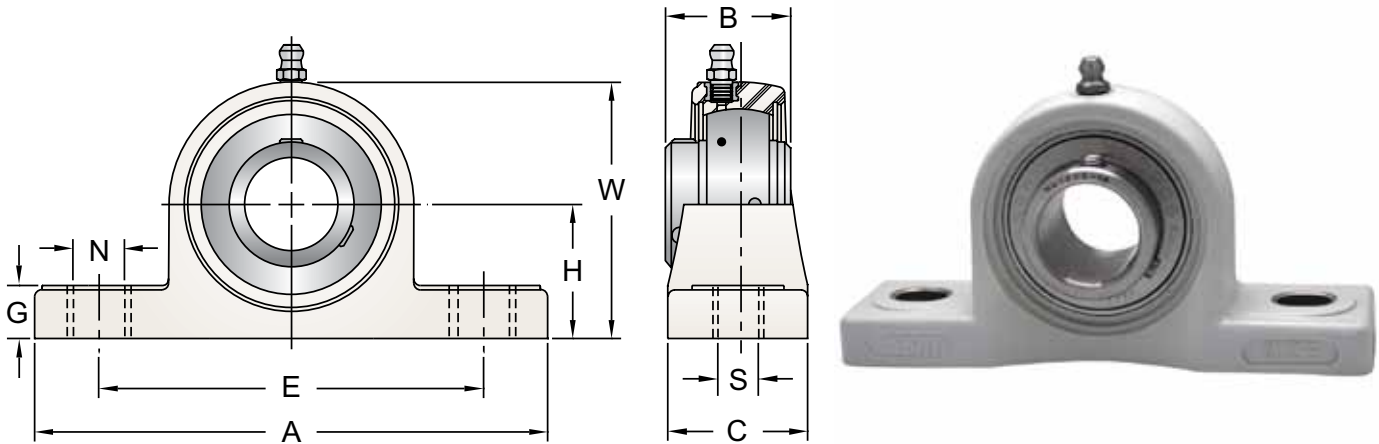


**Bore Size Range Availability: 1/2" to 2" and 15mm to 50mm**

**MUCPPL205-16W**

- White Housing Material (Change "W" to "B" for Black Material)
- Bearing Bore in Sixteenths of an Inch
- Basic Bearing Size
- Thermoplastic Housing Style
- Wide Inner Ring, Set Screw Locking Bearing Insert
- Stainless Steel Bearing Insert

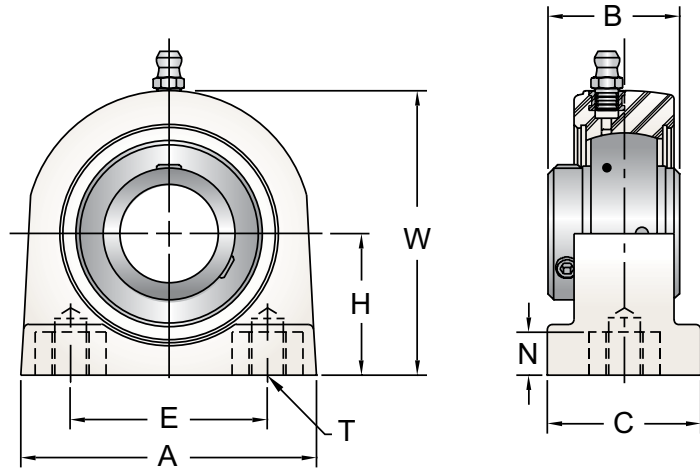
Normal Duty • Wide Inner Ring • 0°F ~ 212°F • H1 Approved Food Grade Grease



Shaft Dia. (in.)	AMI Unit #	List Price	Dimensions (in.)										Bolt Size (in.)	Bearing #	Housing #	Weight (lb.)	
			H	A	E		C	S	N	G	W	B					
					Min.	Max.											
1/2	MUCPPL201-8	209.30	1-5/16	5	3-37/64	3-59/64	1-1/2	7/16	35/64	9/16	2-37/64	1.220	3/8	MUC201-8	PPL204	0.74	
5/8	MUCPPL202-10													MUC202-10			0.70
3/4	MUCPPL204-12													MUC204-12			0.64
7/8	MUCPPL205-14	229.30	1-7/16	5-1/2	3-61/64	4-19/64	1-1/2	7/16	35/64	37/64	2-3/4	1.339	3/8	MUC205-14	PPL205	0.82	
15/16	MUCPPL205-15	255.30												MUC205-15			0.78
1	MUCPPL205-16	229.30												MUC205-16			0.74
1-1/8	MUCPPL206-18	281.20	1-11/16	6-3/8	4-15/32	4-29/32	1-13/16	35/64	23/32	45/64	3-19/64	1.500	1/2	MUC206-18	PPL206	1.20	
1-3/16	MUCPPL206-19													MUC206-19			1.16
1-1/4	MUCPPL206-20													MUC206-20			1.10
1-1/4	MUCPPL207-20	342.30	1-7/8	6-39/64	4-25/32	5-7/32	1-7/8	35/64	23/32	23/32	3-23/32	1.689	1/2	MUC207-20	PPL207	1.78	
1-5/16	MUCPPL207-21	352.90												MUC207-21			1.72
1-3/8	MUCPPL207-22	342.30												MUC207-22			1.66
1-7/16	MUCPPL207-23	342.30												MUC207-23			1.60
1-1/2	MUCPPL208-24	406.60												1-15/16			7-1/4
1-11/16	MUCPPL209-27	427.60	2-1/8	7-9/16	5-19/32	5-29/32	2-1/8	43/64	25/32	29/32	4-11/64	1.937	5/8	MUC209-27	PPL209	2.48	
1-3/4	MUCPPL209-28													MUC209-28			2.38
1-7/8	MUCPPL210-30	476.50	2-1/4	8-1/8	6-3/32	6-13/32	2-3/8	43/64	25/32	29/32	4-1/2	2.031	5/8	MUC210-30	PPL210	3.02	
1-15/16	MUCPPL210-31													MUC210-31			2.92
2	MUCPPL210-32													MUC210-32			2.80
Dimensions (mm)																	
12	MUCPPL201	209.30	33.3	127	91	99	38	11	14	14.2	65.5	31	M10	MUC201	PPL204	0.74	
15	MUCPPL202													MUC202			0.70
17	MUCPPL203													MUC203			0.68
20	MUCPPL204	209.30	33.3	127	91	99	38	11	14	14.2	65.5	31	M10	MUC204	PPL204	0.64	
25	MUCPPL205	229.30	36.5	140	101	109	38	11	14	14.5	71.0	34	M10	MUC205	PPL205	0.76	
30	MUCPPL206	281.20	42.9	162	113	125	46	14	18	17.8	84.0	38.1	M12	MUC206	PPL206	1.16	
35	MUCPPL207	342.30	47.6	168	121	133	48	14	18	18	94.5	42.9	M12	MUC207	PPL207	1.66	
40	MUCPPL208	406.60	49.2	184	131	143	54	14	18	19.8	99.0	49.2	M12	MUC208	PPL208	2.16	
45	MUCPPL209	427.60	54.0	192	142	150	54	17	20	23	106.0	49.2	M16	MUC209	PPL209	2.36	
50	MUCPPL210	476.50	57.2	206	155	163	60	17	20	23	114.0	51.6	M16	MUC210	PPL210	2.86	

NOTE: For Thermoplastic units please specify one of the following suffixes after the part number: "W" for a white housing or "B" for a black housing. Lubrication fitting Tap Size 1/4-28 UNF

**INTERCHANGES:** CPS-S216 SUCTP205-16 CPB100SSG



Shaft Dia. (in.)	AMI Unit #	List Price	Dimensions (in.)							Bolt Holes (UNC Thread) T	Bearing #	Housing #	Weight (lb.)
			H	A	E	C	N	W	B				
1/2	MUCTBL201-8	253.70	1-5/16	2-7/8	2	1-23/64	7/16	2-19/32	1.220	3/8-16	MUC201-8	TBL204	0.68
5/8	MUCTBL202-10										MUC202-10		0.64
3/4	MUCTBL204-12										MUC204-12		0.58
7/8	MUCTBL205-14	265.65	1-7/16	3	2	1-9/16	7/16	2-57/64	1.339	3/8-16	MUC205-14	TBL205	0.80
15/16	MUCTBL205-15	291.65									MUC205-15		0.76
1	MUCTBL205-16	265.65									MUC205-16		0.72
1-1/8	MUCTBL206-18	311.50	1-11/16	4	3	1-43/64	7/16	3-5/16	1.500	7/16-14	MUC206-18	TBL206	1.14
1-3/16	MUCTBL206-19										MUC206-19		1.10
1-1/4	MUCTBL206-20										MUC206-20		1.04
1-1/4	MUCTBL207-20	379.00	1-7/8	4-3/8	3-1/4	1-7/8	5/8	3-3/4	1.689	1/2-13	MUC207-20	TBL207	1.76
1-5/16	MUCTBL207-21	389.60									MUC207-21		1.70
1-3/8	MUCTBL207-22	379.00									MUC207-22		1.64
1-7/16	MUCTBL207-23	379.00									MUC207-23		1.58
1-1/2	MUCTBL208-24	399.80									MUC208-24		2.10
1-11/16	MUCTBL209-27	473.50	2-1/8	4-7/8	3-3/4	1-31/32	3/4	4-17/64	1.937	1/2-13	MUC209-27	TBL209	2.34
1-3/4	MUCTBL209-28										MUC209-28		2.24
Dimensions (mm)													
12	MUCTBL201	253.70	33.3	73	50.8	34.5	11.1	66	31.0	3/8-16	MUC201	TBL204	0.68
15	MUCTBL202										MUC202		0.64
17	MUCTBL203										MUC203		0.62
20	MUCTBL204	253.70	33.3	73	50.8	34.5	11.1	66	31.0	3/8-16	MUC204	TBL204	0.58
25	MUCTBL205	265.65	36.5	76.2	50.8	39.7	11.1	73.4	34.0	3/8-16	MUC205	TBL205	0.74
30	MUCTBL206	311.50	42.9	101.6	76.2	42.5	11.1	84	38.1	7/16-14	MUC206	TBL206	1.10
35	MUCTBL207	379.00	47.6	111	82.6	47.6	16.0	95	42.9	1/2-13	MUC207	TBL207	1.64
40	MUCTBL208	399.80	49.2	120	88.9	47.6	16.0	100.4	49.2		MUC208	TBL208	2.02
45	MUCTBL209	473.50	54.0	124	95.3	50	19.0	108.5	49.2		MUC209	TBL209	2.22

NOTE: For Thermoplastic units please specify one of the following suffixes after the part number: "W" for a white housing or "B" for a black housing. Lubrication fitting Tap Size 1/4-28 UNF

**INTERCHANGES: CTBS-S216 SUCTPA205-16 CTB100SSG**

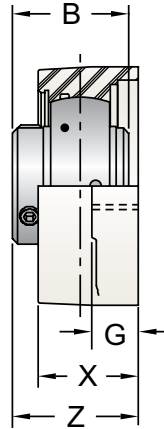
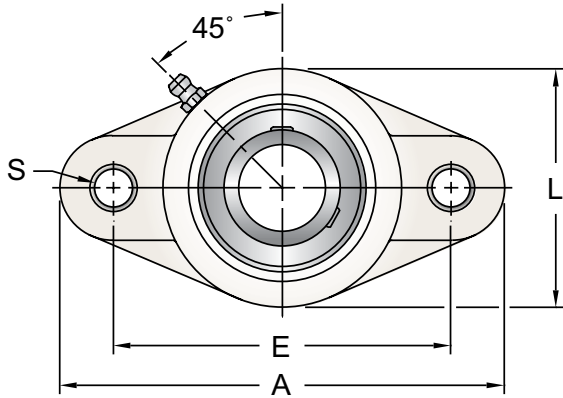


# TWO-BOLT FLANGE UNITS

Stainless Insert detail-pg. 82 • RF Patent Seal-pg. 90 • Shur-Seal-pg. 51

# MUCNFL 200

PRIME

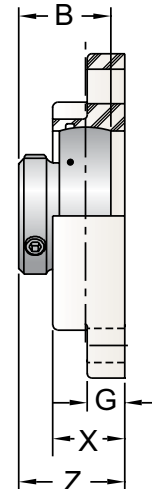
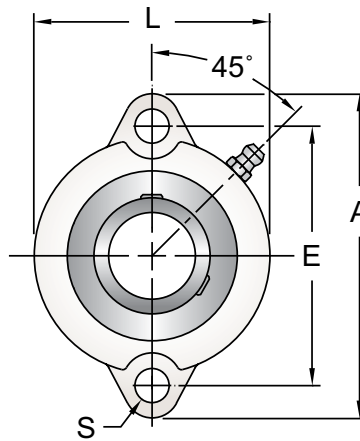


Shaft Dia. (in.)	AMI Unit #	List Price	Dimensions (in.)								Bolt Size (in.)	Bearing #	Housing #	Weight (lb.)
			A	E	G	X	S	L	Z	B				
1/2	MUCNFL201-8	209.30	4-7/16	3-35/64	29/64	1-3/64	7/16	2-1/2	1-21/64	1.220	3/8	MUC201-8	NFL204	0.62
5/8	MUCNFL202-10											MUC202-10		0.58
3/4	MUCNFL204-12											MUC204-12		0.52
7/8	MUCNFL205-14	229.30	5-1/8	3-57/64	17/32	1-9/64	7/16	2-3/4	1-29/64	1.339	3/8	MUC205-14	NFL205	0.72
15/16	MUCNFL205-15	255.30										MUC205-15		0.68
1	MUCNFL205-16	229.30										MUC205-16		0.64
1-1/8	MUCNFL206-18	281.20	5-13/16	4-39/64	33/64	1-13/64	7/16	3-5/32	1-5/8	1.500	3/8	MUC206-18	NFL206	0.98
1-3/16	MUCNFL206-19											MUC206-19		0.94
1-1/4	MUCNFL206-20											MUC206-20		0.88
1-1/4	MUCNFL207-20	342.30	6-7/16	5-1/8	41/64	1-19/64	33/64	3-35/64	1-45/64	1.689	1/2	MUC207-20	NFL207	1.52
1-5/16	MUCNFL207-21	352.90										MUC207-21		1.46
1-3/8	MUCNFL207-22	342.30										MUC207-22		1.40
1-7/16	MUCNFL207-23	342.30										MUC207-23		1.34
1-1/2	MUCNFL208-24	406.60										MUC208-24		1.98
1-11/16	MUCNFL209-27	427.60	7-7/16	5-27/32	53/64	1-39/64	43/64	4-1/4	2-9/64	1.937	5/8	MUC209-27	NFL209	2.22
1-3/4	MUCNFL209-28											MUC209-28		2.12
1-7/8	MUCNFL210-30	476.50	7-3/4	6-3/16	53/64	1-11/16	43/64	4-17/32	2-17/64	2.031	5/8	MUC210-30	NFL210	2.60
1-15/16	MUCNFL210-31											MUC210-31		2.50
2	MUCNFL210-32											MUC210-32		2.38
Dimensions (mm)														
12	MUCNFL201	209.30	112.7	90	11.4	26.5	11	63.5	33.7	31	M10	MUC201	NFL204	0.62
15	MUCNFL202											MUC202		0.58
17	MUCNFL203											MUC203		0.56
20	MUCNFL204	209.30	112.7	90	11.4	26.5	11	63.5	33.7	31	M10	MUC204	NFL204	0.52
25	MUCNFL205	229.30	130	99	13.5	29.1	11	69.9	36.7	34	M10	MUC205	NFL205	0.66
30	MUCNFL206	281.20	148	117	13.3	30.5	11	80	41.2	38.1	M10	MUC206	NFL206	0.94
35	MUCNFL207	342.30	164	130	16.1	32.8	13	90	43.4	42.9	M12	MUC207	NFL207	1.40
40	MUCNFL208	406.60	174.6	144	20	37.5	14	100	51.7	49.2	M12	MUC208	NFL208	1.90
45	MUCNFL209	427.60	188.9	148.5	21	41	17	108	54.2	49.2	M16	MUC209	NFL209	2.10
50	MUCNFL210	476.50	197	157	21	43	17	115	57.6	51.6	M16	MUC210	NFL210	2.44

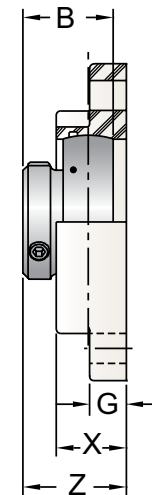
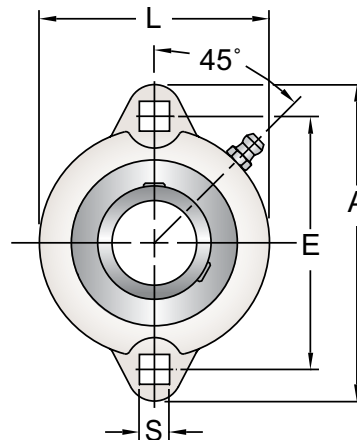
NOTE: For Thermoplastic units please specify one of the following suffixes after the part number: "W" for a white housing or "B" for a black housing. Lubrication fitting Tap Size 1/4-28 UNF

**INTERCHANGES: CF2S-S216 SUCTFL205-16 C2F100SSG**

PRIME



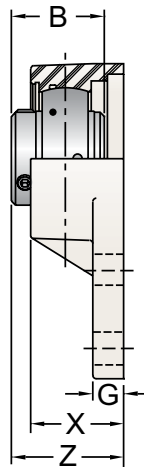
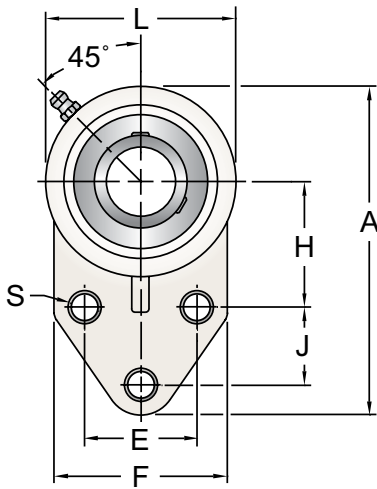
Shaft Dia. (in.)	AMI Unit #	List Price	Dimensions (in.)								Bolt Size (in.)	Bearing #	Housing #	Weight (lb.)
			A	E	G	X	S	L	Z	B				
1/2	MBLF1-8	187.90	3-3/16	2-1/2	25/64	45/64	9/32	2-13/64	1	0.866	1/4	MB1-8	LF203	0.28
5/8	MBLF2-10	187.90	3-3/16	2-1/2	25/64	45/64	9/32	2-13/64	1	0.866	1/4	MB2-10	LF203	0.26
3/4	MBLF4-12	195.00	3-35/64	2-13/16	7/16	25/32	25/64	2-31/64	1-9/64	0.972	5/16	MB4-12	LF204	0.38
1	MBLF5-16	202.50	3-3/4	3	7/16	53/64	25/64	2-23/32	1-7/32	1.063	5/16	MB5-16	LF205	0.46
Dimensions (mm)														
20	MBLF4	195.00	90	71	11	20	10	63	29	24.7	M8	MB4	LF204	0.36
25	MBLF5	202.50	95	76	11	21	10	69	31	27	M8	MB5	LF205	0.46



Shaft Dia. (in.)	AMI Unit #	List Price	Dimensions (in.)								Bolt Size (in.)	Bearing #	Housing #	Weight (lb.)
			A	E	G	X	S	L	Z	B				
1/2	MBLX1-8	187.90	3-3/16	2-1/2	25/64	45/64	9/32	2-13/64	1	0.866	1/4	MB1-8	LX203	0.28
5/8	MBLX2-10	187.90	3-3/16	2-1/2	25/64	45/64	9/32	2-13/64	1	0.866	1/4	MB2-10	LX203	0.26
3/4	MBLX4-12	195.00	3-35/64	2-13/16	7/16	25/32	23/64	2-31/64	1-9/64	0.972	5/16	MB4-12	LX204	0.38
1	MBLX5-16	202.50	3-3/4	3	7/16	53/64	23/64	2-23/32	1-7/32	1.063	5/16	MB5-16	LX205	0.46
Dimensions (mm)														
20	MBLX4	195.00	90	71	11	20	9	63	29	24.7	M8	MB4	LX204	0.36
25	MBLX5	202.50	95	76	11	21	9	69	31	27	M8	MB5	LX205	0.46

NOTE: For Thermoplastic units please specify one of the following suffixes after the part number: "W" for a white housing or "B" for a black housing. Lubrication fitting Tap Size 1/4-28 UNF

**INTERCHANGES: AMI EXCLUSIVE**

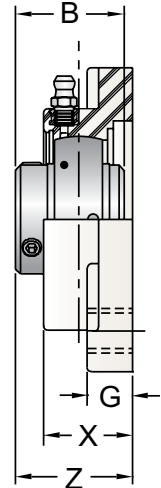
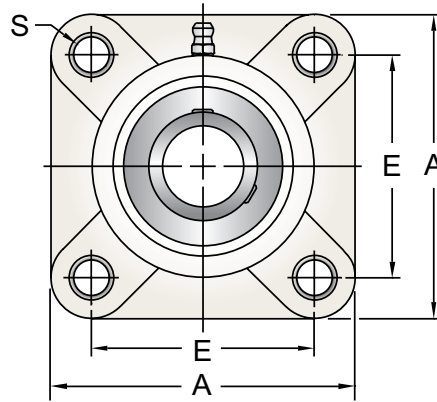


Shaft Dia. (in.)	AMI Unit #	List Price	Dimensions (in.)											Bolt Size (in.)	Bearing #	Housing #	Weight (lb.)	
			A	H	E	J	G	X	S	L	F	Z	B					
1/2	MUCFBL201-8	199.00	4-1/4	1-11/16	1-1/2	7/8	29/64	1	27/64	2-1/2	2-7/16	1-21/64	1.220	3/8	MUC201-8	FBL204	0.64	
5/8	MUCFBL202-10														MUC202-10		0.60	
3/4	MUCFBL204-12														MUC204-12		0.54	
7/8	MUCFBL205-14	251.30	4-3/4	1-13/16	1-5/8	1-1/8	29/64	1-11/32	27/64	2-3/4	2-1/2	1-5/8	1.339	3/8	MUC205-14	FBL205	0.74	
15/16	MUCFBL205-15	277.30													MUC205-15		0.70	
1	MUCFBL205-16	251.30													MUC205-16		0.66	
1-1/8	MUCFBL206-18	285.30	5-29/64	2-1/16	1-7/8	1-1/4	33/64	1-1/4	27/64	3-1/4	3	1-41/64	1.500	3/8	MUC206-18	FBL206	1.08	
1-3/16	MUCFBL206-19														MUC206-19		1.04	
1-1/4	MUCFBL206-20														MUC206-20		0.98	
1-1/4	MUCFBL207-20	312.80	6-3/16	2-3/8	2	1-1/4	41/64	1-7/16	33/64	3-3/4	3-1/2	1-55/64	1.689	1/2	MUC207-20	FBL207	1.68	
1-5/16	MUCFBL207-21	323.40													MUC207-21		1.62	
1-3/8	MUCFBL207-22	312.80													MUC207-22		1.56	
1-7/16	MUCFBL207-23	312.80													MUC207-23		1.50	
Dimensions (mm)																		
12	MUCFBL201	199.00	108	42.9	38.1	22.2	11.4	25.4	10.7	63.5	62	33.7	31	M10	MUC201	FBL204	0.64	
15	MUCFBL202														MUC202		0.60	
17	MUCFBL203														MUC203		0.58	
20	MUCFBL204	199.00	108	42.9	38.1	22.2	11.4	25.4	10.7	63.5	62	33.7	31	M10	MUC204	FBL204	0.54	
25	MUCFBL205	251.30	120.6	46	41.3	28.6	11.4	34	10.7	70	63.5	41.2	34		MUC205	FBL205	0.68	
30	MUCFBL206	285.30	138.5	52.4	47.6	31.8	13.3	31.8	10.7	83	76	41.5	38.1		MUC206	FBL206	1.04	
35	MUCFBL207	312.80	157	60.3	50.8	31.8	16.1	36.5	13.1	95	89	47.1	42.9		M12	MUC207	FBL207	1.56

NOTE: For Thermoplastic units please specify one of the following suffixes after the part number: "W" for a white housing or "B" for a black housing. Lubrication fitting Tap Size 1/4-28 UNF

**INTERCHANGES:** CPS-S216 SUCTP205-16 CPB100SSG

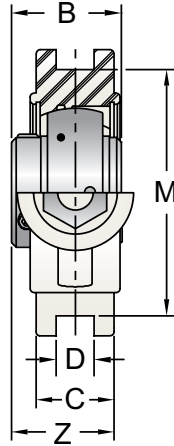
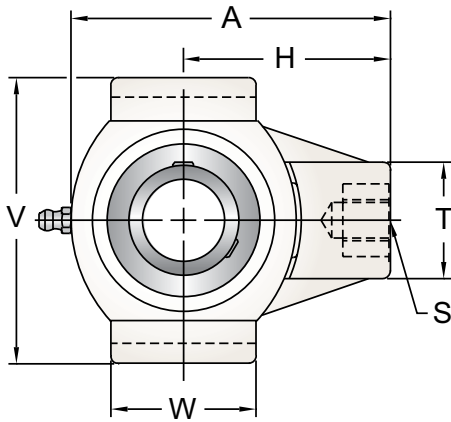
PRIME



Shaft Dia. (in.)	AMI Unit #	List Price	Dimensions (in.)							Bolt Size (in.)	Bearing #	Housing #	Weight (lb.)
			A	E	G	X	S	Z	B				
1/2	MUCFPL201-8	209.30	3-3/8	2-1/2	17/32	1-3/32	7/16	1-27/64	1.220	3/8	MUC201-8	FPL204	0.74
5/8	MUCFPL202-10										MUC202-10		0.70
3/4	MUCFPL204-12										MUC204-12		0.64
7/8	MUCFPL205-14	229.30	3-3/4	2-3/4	9/16	1-7/64	7/16	1-29/64	1.339	3/8	MUC205-14	FPL205	0.82
15/16	MUCFPL205-15	255.30									MUC205-15		0.78
1	MUCFPL205-16	229.30									MUC205-16		0.74
1-1/8	MUCFPL206-18	281.20	4-1/4	3-1/4	9/16	1-1/4	7/16	1-5/8	1.500	3/8	MUC206-18	FPL206	1.14
1-3/16	MUCFPL206-19										MUC206-19		1.10
1-1/4	MUCFPL206-20										MUC206-20		1.04
1-1/4	MUCFPL207-20	342.30	4-5/8	3-5/8	39/64	1-3/8	33/64	1-27/32	1.689	1/2	MUC207-20	FPL207	1.74
1-5/16	MUCFPL207-21	352.90									MUC207-21		1.68
1-3/8	MUCFPL207-22	342.30									MUC207-22		1.62
1-7/16	MUCFPL207-23	342.30									MUC207-23		1.56
1-1/2	MUCFPL208-24	406.60									5-1/8		4
1-11/16	MUCFPL209-27	427.60	5-3/8	4-1/8	3/4	1-39/64	43/64	2-9/64	1.937	5/8	MUC209-27	FPL209	2.50
1-3/4	MUCFPL209-28										MUC209-28		2.40
1-7/8	MUCFPL210-30	476.50	5-5/8	4-3/8	53/64	1-11/16	43/64	2-17/64	2.031	5/8	MUC210-30	FPL210	2.94
1-15/16	MUCFPL210-31										MUC210-31		2.84
2	MUCFPL210-32										MUC210-32		2.72
Dimensions (mm)													
12	MUCFPL201	209.30	86	63.5	13.4	27.8	11	36.3	31	M10	MUC201	FPL204	0.74
15	MUCFPL202										MUC202		0.70
17	MUCFPL203										MUC203		0.68
20	MUCFPL204	209.30	86	63.5	13.4	27.8	11	36.3	31	M10	MUC204	FPL204	0.64
25	MUCFPL205	229.30	95	70	14.3	28	11	36.7	34		MUC205	FPL205	0.76
30	MUCFPL206	281.20	108	83	14.3	31.7	11	41.4	38.1		MUC206	FPL206	1.10
35	MUCFPL207	342.30	118	92	15.5	34.8	13	46.9	42.9	M12	MUC207	FPL207	1.62
40	MUCFPL208	406.60	130	102	17	37.5	14	53.2	49.2	M12	MUC208	FPL208	2.14
45	MUCFPL209	427.60	137	105	19	41	17	54.2	49.2	M16	MUC209	FPL209	2.38
50	MUCFPL210	476.50	143	111	21	43	17	57.6	51.6	M16	MUC210	FPL210	2.78

NOTE: For Thermoplastic units please specify one of the following suffixes after the part number: "W" for a white housing or "B" for a black housing. Lubrication fitting Tap Size 1/4-28 UNF

**INTERCHANGES: CF4S-S216    SUCTF205-16    C4F100SSG**

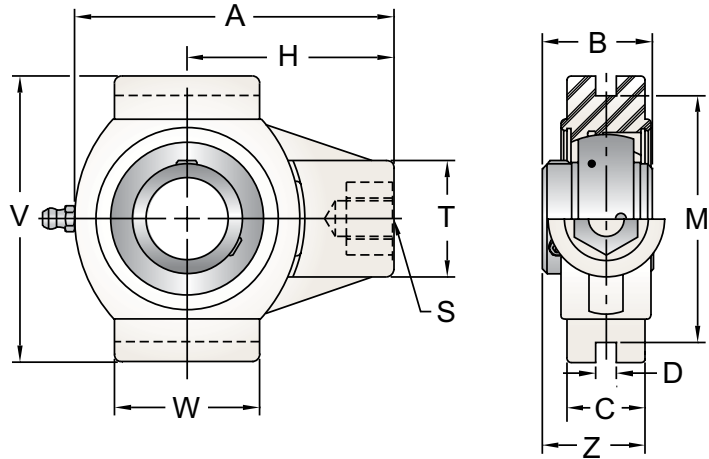


Shaft Dia. (in.)	AMI Unit #	List Price	Dimensions (in.)											Bearing #	Housing #	Weight (lb.)
			A	C	D	H	M	T	V	W	B	Z	S			
1/2	MUCTPL201-8	253.70	3-57/64	61/64	15/32	2-33/64	3	1-27/64	3-31/64	1-49/64	1.220	1-13/64	1/2-13UNC	MUC201-8	TPL204	0.84
5/8	MUCTPL202-10													MUC202-10		0.80
3/4	MUCTPL204-12													MUC204-12		0.74
7/8	MUCTPL205-14	265.65	3-57/64	61/64	15/32	2-33/64	3	1-27/64	3-31/64	1-49/64	1.339	1-1/4	1/2-13UNC	MUC205-14	TPL205	0.86
15/16	MUCTPL205-15	291.65												MUC205-15		0.82
1	MUCTPL205-16	265.65												MUC205-16		0.78
1-1/8	MUCTPL206-18	311.50	4-59/64	1-11/64	15/32	3	3-1/2	1-37/64	4-1/64	2-7/16	1.500	1-29/64	5/8-11UNC	MUC206-18	TPL206	1.40
1-3/16	MUCTPL206-19													MUC206-19		1.36
1-1/4	MUCTPL206-20													MUC206-20		1.30
1-1/4	MUCTPL207-20	379.00	4-59/64	1-11/64	15/32	3	3-1/2	1-37/64	4-1/64	2-7/16	1.689	1-19/32	5/8-11UNC	MUC207-20	TPL207	1.72
1-5/16	MUCTPL207-21	389.60												MUC207-21		1.66
1-3/8	MUCTPL207-22	379.00												MUC207-22		1.60
1-7/16	MUCTPL207-23	379.00												MUC207-23		1.54
1-1/2	MUCTPL208-24	399.80												MUC208-24		2.16
Dimensions (mm)																
12	MUCTPL201	253.70	99	24.2	12	64	76	36	88.5	45	31	30.4	1/2-13UNC	MUC201	TPL204	0.84
15	MUCTPL202													MUC202		0.80
17	MUCTPL203													MUC203		0.78
20	MUCTPL204	253.70	99	24.2	12	64	76	36	88.5	45	31	30.4	1/2-13UNC	MUC204	TPL204	0.74
25	MUCTPL205	265.65	99	24.2	12	64	76	36	88.5	45	34	31.8	1/2-13UNC	MUC205	TPL205	0.80
30	MUCTPL206	311.50	125	29.8	12	76	89	40	102	62	38.1	37.1	5/8-11UNC	MUC206	TPL206	1.36
35	MUCTPL207	379.00	125	29.8	12	76	89	40	102	62	42.9	40.3	5/8-11UNC	MUC207	TPL207	1.60
40	MUCTPL208	399.80	140	32.1	16	85	102	40	114	79	49.2	46.3	5/8-11UNC	MUC208	TPL208	2.08

NOTE: For Thermoplastic units please specify one of the following suffixes after the part number: "W" for a white housing or "B" for a black housing. Lubrication fitting Tap Size 1/4-28 UNF

INTERCHANGES: AMI EXCLUSIVE

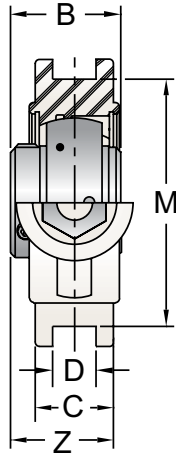
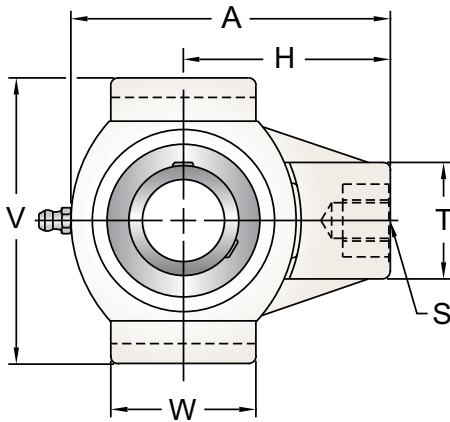
PRIME



Shaft Dia. (in.)	AMI Unit #	List Price	Dimensions (in.)											Bearing #	Housing #	Weight (lb.)
			A	C	D	H	M	T	V	W	B	Z	S			
1/2	MUCNTPL201-8	253.70	3-57/64	61/64	1/4	2-33/64	3	1-27/64	3-31/64	1-49/64	1.220	1-13/64	1/2-13UNC	MUC201-8	NTPL204	0.86
5/8	MUCNTPL202-10													MUC202-10		0.82
3/4	MUCNTPL204-12													MUC204-12		0.76
7/8	MUCNTPL205-14	265.65	3-57/64	61/64	1/4	2-33/64	3	1-27/64	3-31/64	1-49/64	1.339	1-1/4	1/2-13UNC	MUC205-14	NTPL205	0.86
15/16	MUCNTPL205-15	291.65												MUC205-15		0.82
1	MUCNTPL205-16	265.65												MUC205-16		0.78
1-1/8	MUCNTPL206-18	311.50	4-59/64	1-11/64	1/4	3	3-1/2	1-37/64	4-1/64	2-7/16	1.500	1-29/64	5/8-11UNC	MUC206-18	NTPL206	1.44
1-3/16	MUCNTPL206-19													MUC206-19		1.40
1-1/4	MUCNTPL206-20													MUC206-20		1.34
1-1/4	MUCNTPL207-20	379.00	4-59/64	1-11/64	1/4	3	3-1/2	1-37/64	4-1/64	2-7/16	1.689	1-19/32	5/8-11UNC	MUC207-20	NTPL207	1.76
1-5/16	MUCNTPL207-21	389.60												MUC207-21		1.70
1-3/8	MUCNTPL207-22	379.00												MUC207-22		1.64
1-7/16	MUCNTPL207-23	379.00												MUC207-23		1.58
1-1/2	MUCNTPL208-24	399.80												MUC208-24		2.20
Dimensions (mm)																
12	MUCNTPL201	253.70	99	24.2	6.4	64	76	36	88.5	45	31	30.4	1/2-13UNC	MUC201	NTPL204	0.86
15	MUCNTPL202													MUC202		0.82
17	MUCNTPL203													MUC203		0.80
20	MUCNTPL204	253.70	99	24.2	6.4	64	76	36	88.5	45	31	30.4	1/2-13UNC	MUC204	NTPL204	0.76
25	MUCNTPL205	265.65	99	24.2	6.4	64	76	36	88.5	45	34	31.8	1/2-13UNC	MUC205	NTPL205	0.80
30	MUCNTPL206	311.50	125	29.8	6.4	76	89	40	102	62	38.1	37.1	5/8-11UNC	MUC206	NTPL206	1.40
35	MUCNTPL207	379.00	125	29.8	6.4	76	89	40	102	62	42.9	40.3	5/8-11UNC	MUC207	NTPL207	1.64
40	MUCNTPL208	399.80	140	32.1	6.4	85	102	40	114	79	49.2	46.3	5/8-11UNC	MUC208	NTPL208	2.12

NOTE: For Thermoplastic units please specify one of the following suffixes after the part number: "W" for a white housing or "B" for a black housing. Lubrication fitting Tap Size 1/4-28 UNF

**INTERCHANGES: UCTR5205-16S6PL CTW100SS**



Shaft Dia. (in.)	AMI Unit #	List Price	Dimensions (in.)											Bearing #	Housing #	Weight (lb.)
			A	C	D	H	M	T	V	W	B	Z	S			
1/2	MUCWTPL201-8	253.70	3-57/64	61/64	17/32	2-33/64	3	1-27/64	3-31/64	1-49/64	1.220	1-13/64	1/2-13UNC	MUC201-8	WTPL204	0.84
5/8	MUCWTPL202-10													MUC202-10		
3/4	MUCWTPL204-12													MUC204-12		
7/8	MUCWTPL205-14	265.65	3-57/64	61/64	17/32	2-33/64	3	1-27/64	3-31/64	1-49/64	1.339	1-1/4	1/2-13UNC	MUC205-14	WTPL205	0.84
15/16	MUCWTPL205-15	291.65												MUC205-15		
1	MUCWTPL205-16	265.65												MUC205-16		
1-1/8	MUCWTPL206-18	311.50	4-59/64	1-11/64	17/32	3	3-1/2	1-37/64	4-1/64	2-7/16	1.500	1-29/64	5/8-11UNC	MUC206-18	WTPL206	1.40
1-3/16	MUCWTPL206-19													MUC206-19		
1-1/4	MUCWTPL206-20													MUC206-20		
1-1/4	MUCWTPL207-20	379.00	4-59/64	1-11/64	17/32	3	3-1/2	1-37/64	4-1/64	2-7/16	1.689	1-19/32	5/8-11UNC	MUC207-20	WTPL207	1.72
1-5/16	MUCWTPL207-21	389.60												MUC207-21		
1-3/8	MUCWTPL207-22	379.00												MUC207-22		
1-7/16	MUCWTPL207-23	379.00	5-33/64	1-17/64	11/16	3-11/32	4-1/64	1-37/64	4-31/64	3-7/64	1.937	1-53/64	5/8-11UNC	MUC207-23	WTPL208	1.54
1-1/2	MUCWTPL208-24	399.80												MUC208-24		

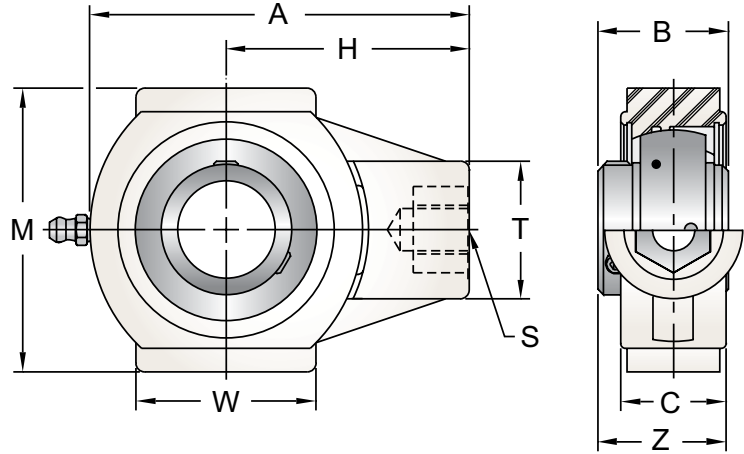
  

Dimensions (mm)																
12	MUCWTPL201	253.70	99	24.2	13.5	64	76	36	88.5	45	31	30.4	1/2-13UNC	MUC201	WTPL204	0.84
15	MUCWTPL202													MUC202		
17	MUCWTPL203													MUC203		
20	MUCWTPL204	253.70	99	24.2	13.5	64	76	36	88.5	45	31	30.4	1/2-13UNC	MUC204	WTPL204	0.74
25	MUCWTPL205	265.65	99	24.2	13.5	64	76	36	88.5	45	34	31.8	1/2-13UNC	MUC205	WTPL205	0.78
30	MUCWTPL206	311.50	125	29.8	13.5	76	89	40	102	62	38.1	37.1	5/8-11UNC	MUC206	WTPL206	1.36
35	MUCWTPL207	379.00	125	29.8	13.5	76	89	40	102	62	42.9	40.3	5/8-11UNC	MUC207	WTPL207	1.60
40	MUCWTPL208	399.80	140	32.1	17.5	85	102	40	114	79	49.2	46.3	5/8-11UNC	MUC208	WTPL208	2.08

NOTE: For Thermoplastic units please specify one of the following suffixes after the part number: "W" for a white housing or "B" for a black housing. Lubrication fitting Tap Size 1/4-28 UNF

**INTERCHANGES: UCT205-16S6PL CTW100SS**

PRIME



Shaft Dia. (in.)	AMI Unit #	List Price	Dimensions (in.)									Bearing #	Housing #	Weight (lb.)
			A	C	H	M	T	W	B	Z	S			
1/2	MUCHPL201-8	253.70	3-57/64	1-5/64	2-1/2	2-9/16	1-27/64	1-27/32	1.220	1-17/64	1/2-13UNC	MUC201-8	HPL204	0.78
5/8	MUCHPL202-10											MUC202-10		0.74
3/4	MUCHPL204-12											MUC204-12		0.68
7/8	MUCHPL205-14	265.65	3-57/64	1-5/64	2-1/2	2-29/32	1-27/64	1-27/32	1.339	1-5/16	1/2-13UNC	MUC205-14	HPL205	0.82
15/16	MUCHPL205-15	291.65										MUC205-15		0.78
1	MUCHPL205-16	265.65										MUC205-16		0.74
1-1/8	MUCHPL206-18	311.50	4-59/64	1-23/64	3	3-1/2	1-37/64	2-1/2	1.500	1-35/64	5/8-11UNC	MUC206-18	HPL206	1.36
1-3/16	MUCHPL206-19											MUC206-19		1.32
1-1/4	MUCHPL206-20											MUC206-20		1.26
1-1/4	MUCHPL207-20	379.00	4-59/64	1-23/64	3	3-1/2	1-37/64	2-1/2	1.689	1-43/64	5/8-11UNC	MUC207-20	HPL207	1.70
1-5/16	MUCHPL207-21	389.60										MUC207-21		1.64
1-3/8	MUCHPL207-22	379.00										MUC207-22		1.58
1-7/16	MUCHPL207-23	379.00										MUC207-23		1.52
Dimensions (mm)														
12	MUCHPL201	253.70	99	27.5	63.5	65	36	47	31.0	32.1	1/2-13UNC	MUC201	HPL204	0.78
15	MUCHPL202											MUC202		0.74
17	MUCHPL203											MUC203		0.72
20	MUCHPL204	253.70	99	27.5	63.5	65	36	47	31.0	32.1	1/2-13UNC	MUC204	HPL204	0.68
25	MUCHPL205	265.65	99	27.5	63.5	74	36	47	34.0	33.5	1/2-13UNC	MUC205	HPL205	0.76
30	MUCHPL206	311.50	125	34.5	76	88.9	40	63.5	38.1	39.4	5/8-11UNC	MUC206	HPL206	1.32
35	MUCHPL207	379.00	125	34.5	76	88.9	40	63.5	42.9	42.6	5/8-11UNC	MUC207	HPL207	1.58

NOTE: For Thermoplastic units please specify one of the following suffixes after the part number: "W" for a white housing or "B" for a black housing. Lubrication fitting Tap Size 1/4-28 UNF

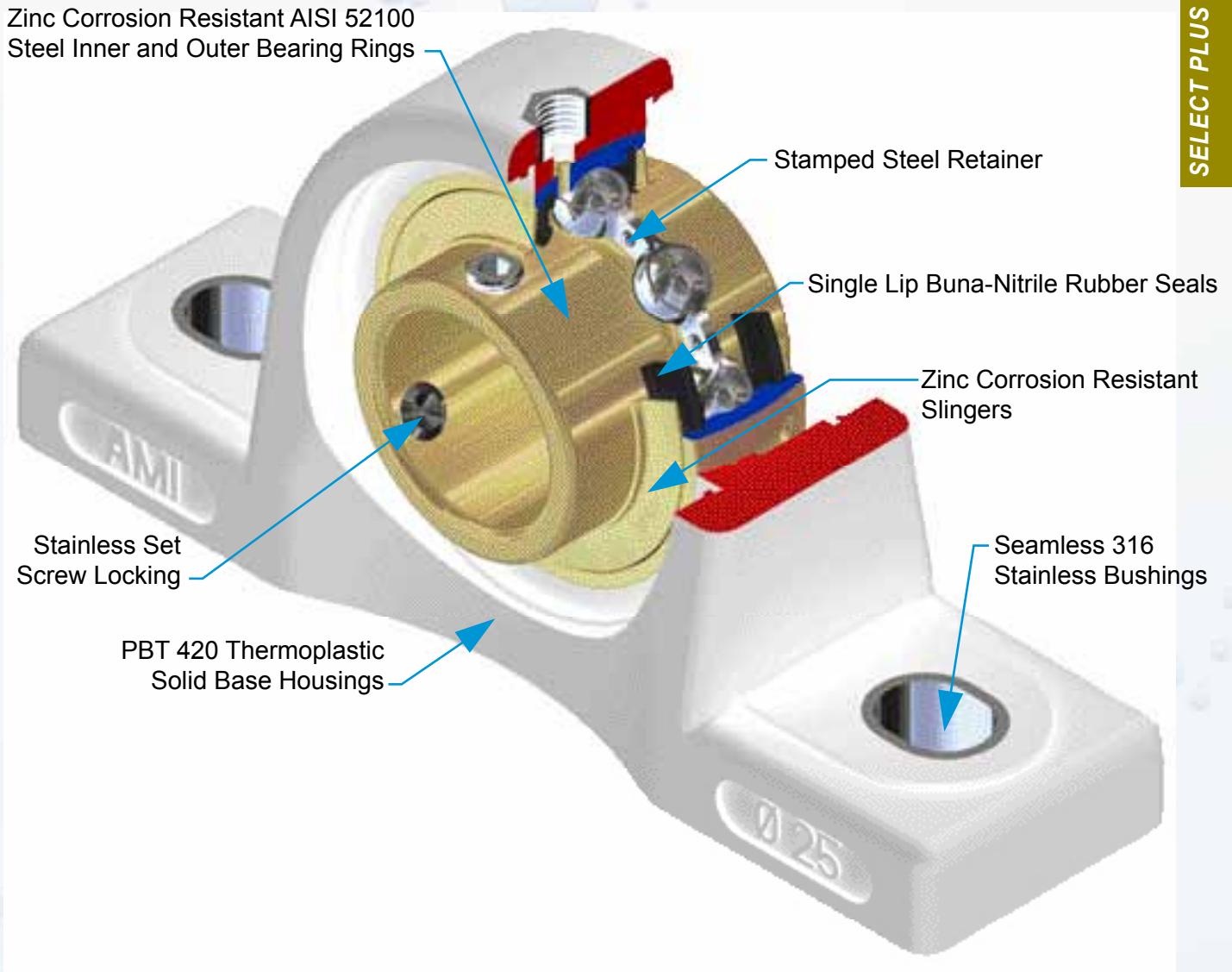
**INTERCHANGES: UCHA205-16S6PL**



# SELECT PLUS SERIES

(Zinc Corrosion Resistant Bearing Insert in Thermoplastic Housing)

SELECT PLUS



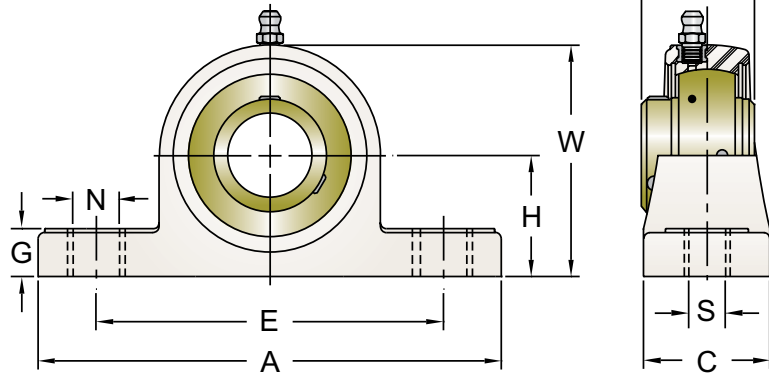
**Bore Size Range Availability: 1/2" to 2" and 15mm to 50mm**

**UCPPL205-16MZ2W**

- White Housing Material (Change "W" to "B" for Black Material)
- Zinc Corrosion Resistant Bearing Insert
- Bearing Bore in Sixteenths of an Inch
- Basic Bearing Size
- Thermoplastic Housing Style
- Wide Inner Ring, Set Screw Locking Bearing Insert

Normal Duty • Wide Inner Ring • 0°F ~ 212°F • H1 Approved Food Grade Grease

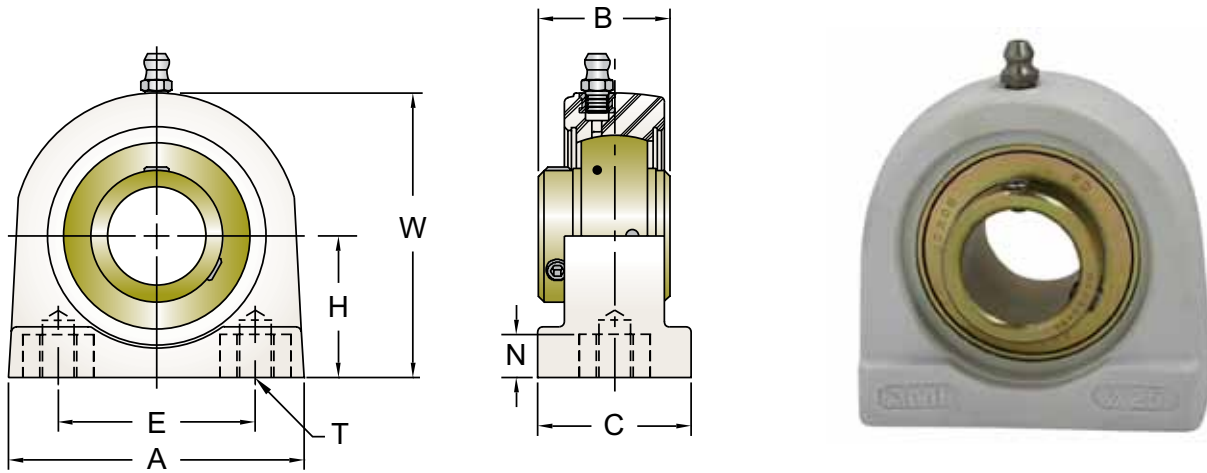
SELECT PLUS



Shaft Dia. (in.)	AMI Unit #	List Price	Dimensions (in.)										Bolt Size (in.)	Bearing #	Housing #	Weight (lb.)
			H	A	E		C	S	N	G	W	B				
					Min.	Max.										
1/2	UCPPL201-8MZ2	101.10	1-5/16	5	3-37/64	3-59/64	1-1/2	7/16	35/64	9/16	2-37/64	1.220	3/8	UC201-8MZ2	PPL204	0.74
5/8	UCPPL202-10MZ2													UC202-10MZ2		0.70
3/4	UCPPL204-12MZ2													UC204-12MZ2		0.66
7/8	UCPPL205-14MZ2	109.40	1-7/16	5-1/2	3-61/64	4-19/64	1-1/2	7/16	35/64	37/64	2-3/4	1.339	3/8	UC205-14MZ2	PPL205	0.84
1	UCPPL205-16MZ2													UC205-16MZ2		0.76
1-1/16	UCPPL206-17MZ2	126.50	1-11/16	6-3/8	4-15/32	4-29/32	1-13/16	35/64	23/32	45/64	3-19/64	1.500	1/2	UC206-17MZ2	PPL206	1.28
1-1/8	UCPPL206-18MZ2													UC206-18MZ2		1.22
1-3/16	UCPPL206-19MZ2													UC206-19MZ2		1.18
1-1/4	UCPPL206-20MZ2													UC206-20MZ2		1.14
1-1/4	UCPPL207-20MZ2													UC207-20MZ2		1.82
1-5/16	UCPPL207-21MZ2	145.20	1-7/8	6-39/64	4-25/32	5-7/32	1-7/8	35/64	23/32	23/32	3-23/32	1.689	1/2	UC207-21MZ2	PPL207	1.76
1-3/8	UCPPL207-22MZ2													UC207-22MZ2		1.70
1-7/16	UCPPL207-23MZ2													UC207-23MZ2		1.62
1-1/2	UCPPL208-24MZ2													UC208-24MZ2		2.30
1-11/16	UCPPL209-27MZ2	193.30	2-1/8	7-9/16	5-19/32	5-29/32	2-1/8	43/64	25/32	29/32	4-11/64	1.937	5/8	UC209-27MZ2	PPL209	2.54
1-3/4	UCPPL209-28MZ2													UC209-28MZ2		2.46
1-7/8	UCPPL210-30MZ2	230.00	2-1/4	8-1/8	6-3/32	6-13/32	2-3/8	43/64	25/32	29/32	4-1/2	2.031	5/8	UC210-30MZ2	PPL210	3.08
1-15/16	UCPPL210-31MZ2													UC210-31MZ2		2.98
2	UCPPL210-32MZ2													UC210-32MZ2		2.88
Dimensions (mm)																
15	UCPPL202MZ2	101.10	33.3	127	91	99	38	11	14	14.2	65.5	31	M10	UC202MZ2	PPL204	0.72
17	UCPPL203MZ2													UC203MZ2		0.70
20	UCPPL204MZ2	101.10	33.3	127	91	99	38	11	14	14.2	65.5	31	M10	UC204MZ2	PPL204	0.64
25	UCPPL205MZ2													UC205MZ2		0.78
30	UCPPL206MZ2	126.50	42.9	162	113	125	46	14	18	17.8	84.0	38.1	M12	UC206MZ2	PPL206	1.18
35	UCPPL207MZ2													UC207MZ2		1.70
40	UCPPL208MZ2	177.60	49.2	184	131	143	54	14	18	19.8	99.0	49.2	M12	UC208MZ2	PPL208	2.20
45	UCPPL209MZ2													UC209MZ2		2.42
50	UCPPL210MZ2	230.00	57.2	206	155	163	60	17	20	23	114.0	51.6	M16	UC210MZ2	PPL210	2.94

NOTE: For Thermoplastic units please specify one of the following suffixes after the part number: "W" for a white housing or "B" for a black housing. Lubrication fitting Tap Size 1/4-28 UNF

**INTERCHANGES: CPS-Z216 CPB100ZMG**

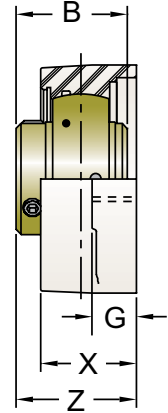
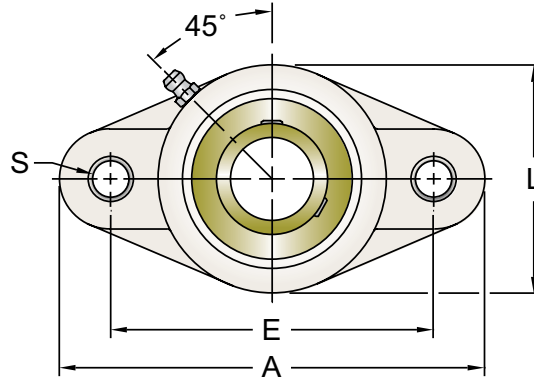


Shaft Dia. (in.)	AMI Unit #	List Price	Dimensions (in.)							Bolt Holes (UNC Thread) T	Bearing #	Housing #	Weight (lb.)
			H	A	E	C	N	W	B				
1/2	UCTBL201-8MZZ	132.30	1-5/16	2-7/8	2	1-23/64	7/16	2-19/32	1.220	3/8-16	UC201-8MZZ	TBL204	0.68
5/8	UCTBL202-10MZZ										UC202-10MZZ		0.64
3/4	UCTBL204-12MZZ										UC204-12MZZ		0.60
7/8	UCTBL205-14MZZ	152.40	1-7/16	3	2	1-9/16	7/16	2-57/64	1.339	3/8-16	UC205-14MZZ	TBL205	0.82
1	UCTBL205-16MZZ										UC205-16MZZ		0.74
1-1/16	UCTBL206-17MZZ	169.10	1-11/16	4	3	1-43/64	7/16	3-5/16	1.500	7/16-14	UC206-17MZZ	TBL206	1.22
1-1/8	UCTBL206-18MZZ										UC206-18MZZ		1.16
1-3/16	UCTBL206-19MZZ										UC206-19MZZ		1.12
1-1/4	UCTBL206-20MZZ										UC206-20MZZ		1.08
1-1/4	UCTBL207-20MZZ	187.70	1-7/8	4-3/8	3-1/4	1-7/8	5/8	3-3/4	1.689	1/2-13	UC207-20MZZ	TBL207	1.80
1-5/16	UCTBL207-21MZZ										UC207-21MZZ		1.74
1-3/8	UCTBL207-22MZZ										UC207-22MZZ		1.68
1-7/16	UCTBL207-23MZZ										UC207-23MZZ		1.60
1-1/2	UCTBL208-24MZZ	190.90	1-15/16	4-23/32	3-1/2	1-7/8	5/8	3-61/64	1.937	1/2-13	UC208-24MZZ	TBL208	2.16
1-11/16	UCTBL209-27MZZ	251.50	2-1/8	4-7/8	3-3/4	1-31/32	3/4	4-17/64	1.937	1/2-13	UC209-27MZZ	TBL209	2.40
1-3/4	UCTBL209-28MZZ										UC209-28MZZ		2.32
Dimensions (mm)													
15	UCTBL202MZZ	132.30	33.3	73	50.8	34.5	11.1	66	31.0	3/8-16	UC202MZZ	TBL204	0.66
17	UCTBL203MZZ										UC203MZZ		0.64
20	UCTBL204MZZ	132.30	33.3	73	50.8	34.5	11.1	66	31.0	3/8-16	UC204MZZ	TBL204	0.58
25	UCTBL205MZZ	152.40	36.5	76.2	50.8	39.7	11.1	73.4	34.0	3/8-16	UC205MZZ	TBL205	0.76
30	UCTBL206MZZ	169.10	42.9	101.6	76.2	42.5	11.1	84	38.1	7/16-14	UC206MZZ	TBL206	1.12
35	UCTBL207MZZ	187.70	47.6	111	82.6	47.6	16.0	95	42.9	1/2-13	UC207MZZ	TBL207	1.68
40	UCTBL208MZZ	190.90	49.2	120	88.9	47.6	16.0	100.4	49.2	1/2-13	UC208MZZ	TBL208	2.06
45	UCTBL209MZZ	251.50	54.0	124	95.3	50	19.0	108.5	49.2	1/2-13	UC209MZZ	TBL209	2.28

NOTE: For Thermoplastic units please specify one of the following suffixes after the part number: "W" for a white housing or "B" for a black housing. Lubrication fitting Tap Size 1/4-28 UNF

**INTERCHANGES: CTBS-Z216 CTB100ZMG**

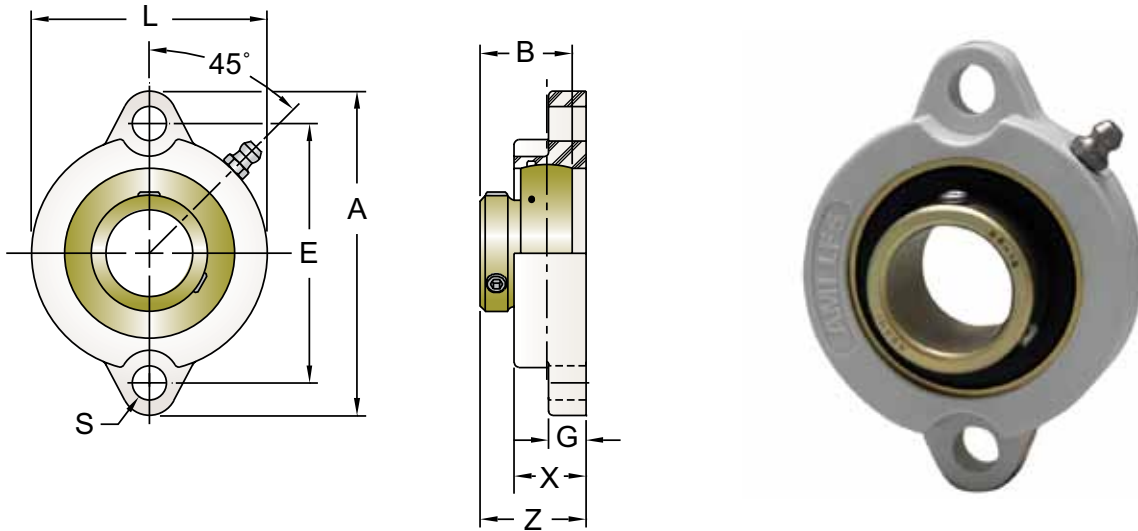
SELECT PLUS



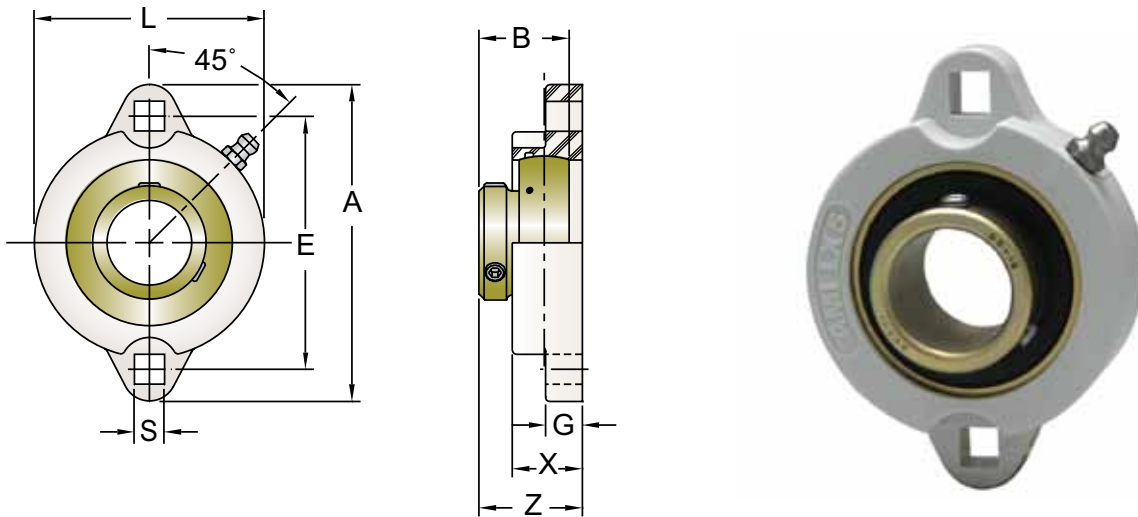
Shaft Dia. (in.)	AMI Unit #	List Price	Dimensions (in.)								Bolt Size (in.)	Bearing #	Housing #	Weight (lb.)
			A	E	G	X	S	L	Z	B				
1/2	UCNFL201-8MZZ	101.10	4-7/16	3-35/64	29/64	1-3/64	7/16	2-1/2	1-21/64	1.220	3/8	UC201-8MZZ	NFL204	0.62
5/8	UCNFL202-10MZZ											UC202-10MZZ		0.58
3/4	UCNFL204-12MZZ											UC204-12MZZ		0.54
7/8	UCNFL205-14MZZ	109.40	5-1/8	3-57/64	17/32	1-9/64	7/16	2-3/4	1-29/64	1.339	3/8	UC205-14MZZ	NFL205	0.74
1	UCNFL205-16MZZ											UC205-16MZZ		0.66
1-1/16	UCNFL206-17MZZ	126.30	5-13/16	4-39/64	33/64	1-13/64	7/16	3-5/32	1-5/8	1.500	3/8	UC206-17MZZ	NFL206	1.06
1-1/8	UCNFL206-18MZZ											UC206-18MZZ		1.00
1-3/16	UCNFL206-19MZZ											UC206-19MZZ		0.96
1-1/4	UCNFL206-20MZZ											UC206-20MZZ		0.92
1-1/4	UCNFL207-20MZZ	145.20	6-7/16	5-1/8	41/64	1-19/64	33/64	3-35/64	1-45/64	1.689	1/2	UC207-20MZZ	NFL207	1.56
1-5/16	UCNFL207-21MZZ											UC207-21MZZ		1.50
1-3/8	UCNFL207-22MZZ											UC207-22MZZ		1.44
1-7/16	UCNFL207-23MZZ											UC207-23MZZ		1.36
1-1/2	UCNFL208-24MZZ	177.60	6-7/8	5-43/64	25/32	1-31/64	35/64	3-15/16	2-1/32	1.937	1/2	UC208-24MZZ	NFL208	2.04
1-11/16	UCNFL209-27MZZ	193.30	7-7/16	5-27/32	53/64	1-39/64	43/64	4-1/4	2-9/64	1.937	5/8	UC209-27MZZ	NFL209	2.28
1-3/4	UCNFL209-28MZZ											UC209-28MZZ		2.20
1-7/8	UCNFL210-30MZZ	230.00	7-3/4	6-3/16	53/64	1-11/16	43/64	4-17/32	2-17/64	2.031	5/8	UC210-30MZZ	NFL210	2.66
1-15/16	UCNFL210-31MZZ											UC210-31MZZ		2.56
2	UCNFL210-32MZZ											UC210-32MZZ		2.46
Dimensions (mm)														
15	UCNFL202MZZ	101.10	112.7	90	11.4	26.5	11	63.5	33.7	31	M10	UC202MZZ	NFL204	0.60
17	UCNFL203MZZ											UC203MZZ		0.58
20	UCNFL204MZZ	101.10	112.7	90	11.4	26.5	11	63.5	33.7	31	M10	UC204MZZ	NFL204	0.52
25	UCNFL205MZZ	109.40	130	99	13.5	29.1	11	69.9	36.7	34		UC205MZZ	NFL205	0.68
30	UCNFL206MZZ	126.30	148	117	13.3	30.5	11	80	41.2	38.1	M12	UC206MZZ	NFL206	0.96
35	UCNFL207MZZ	145.20	164	130	16.1	32.8	13	90	43.4	42.9		UC207MZZ	NFL207	1.44
40	UCNFL208MZZ	177.60	174.6	144	20	37.5	14	100	51.7	49.2	M12	UC208MZZ	NFL208	1.94
45	UCNFL209MZZ	193.30	188.9	148.5	21	41	17	108	54.2	49.2	M16	UC209MZZ	NFL209	2.16
50	UCNFL210MZZ	230.00	197	157	21	43	17	115	57.6	51.6	M16	UC210MZZ	NFL210	2.52

NOTE: For Thermoplastic units please specify one of the following suffixes after the part number: "W" for a white housing or "B" for a black housing. Lubrication fitting Tap Size 1/4-28 UNF

**INTERCHANGES:** CF2S-Z216 C2F100ZMG



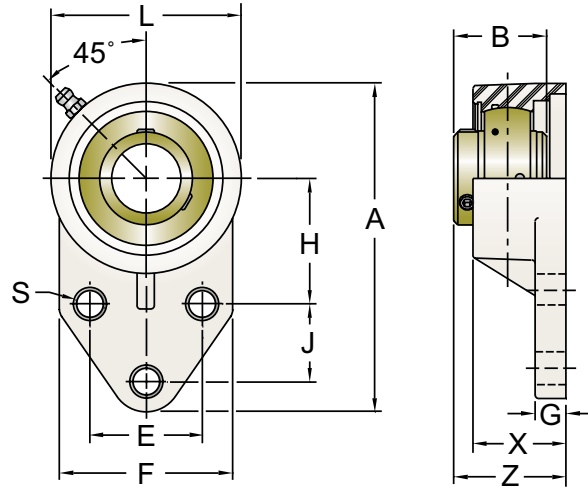
Shaft Dia. (in.)	AMI Unit #	List Price	Dimensions (in.)								Bolt Size (in.)	Bearing #	Housing #	Weight (lb.)
			A	E	G	X	S	L	Z	B				
1/2	BLF1-8MZ2	67.40	3-3/16	2-1/2	25/64	45/64	9/32	2-13/64	1	0.866	1/4	B1-8MZ2	LF203	0.30
5/8	BLF2-10MZ2	67.40	3-3/16	2-1/2	25/64	45/64	9/32	2-13/64	1	0.866	1/4	B2-10MZ2	LF203	0.28
3/4	BLF4-12MZ2	72.20	3-35/64	2-13/16	7/16	25/32	25/64	2-31/64	1-9/64	0.972	5/16	B4-12MZ2	LF204	0.40
1	BLF5-16MZ2	77.90	3-3/4	3	7/16	53/64	25/64	2-23/32	1-7/32	1.063	5/16	B5-16MZ2	LF205	0.46



Shaft Dia. (in.)	AMI Unit #	List Price	Dimensions (in.)								Bolt Size (in.)	Bearing #	Housing #	Weight (lb.)
			A	E	G	X	S	L	Z	B				
1/2	BLX1-8MZ2	67.40	3-3/16	2-1/2	25/64	45/64	9/32	2-13/64	1	0.866	1/4	B1-8MZ2	LX203	0.30
5/8	BLX2-10MZ2	67.40	3-3/16	2-1/2	25/64	45/64	9/32	2-13/64	1	0.866	1/4	B2-10MZ2	LX203	0.28
3/4	BLX4-12MZ2	72.20	3-35/64	2-13/16	7/16	25/32	23/64	2-31/64	1-9/64	0.972	5/16	B4-12MZ2	LX204	0.40
1	BLX5-16MZ2	77.90	3-3/4	3	7/16	53/64	23/64	2-23/32	1-7/32	1.063	5/16	B5-16MZ2	LX205	0.46

NOTE: For Thermoplastic units please specify one of the following suffixes after the part number: "W" for a white housing or "B" for a black housing. Lubrication fitting Tap Size 1/4-28 UNF

INTERCHANGES: AMI EXCLUSIVE



Shaft Dia. (in.)	AMI Unit #	List Price	Dimensions (in.)											Bolt Size (in.)	Bearing #	Housing #	Weight (lb.)	
			A	H	E	J	G	X	S	L	F	Z	B					
1/2	UCFBL201-8MZZ	111.40	4-1/4	1-11/16	1-1/2	7/8	29/64	1	27/64	2-1/2	2-7/16	1-21/64	1.220	3/8	UC201-8MZZ	FBL204	0.64	
5/8	UCFBL202-10MZZ														UC202-10MZZ		0.60	
3/4	UCFBL204-12MZZ														UC204-12MZZ		0.56	
7/8	UCFBL205-14MZZ	153.25	4-3/4	1-13/16	1-5/8	1-1/8	29/64	1-11/32	27/64	2-3/4	2-1/2	1-5/8	1.339	3/8	UC205-14MZZ	FBL205	0.76	
1	UCFBL205-16MZZ														UC205-16MZZ		0.68	
1-1/16	UCFBL206-17MZZ	183.60	5-29/64	2-1/16	1-7/8	1-1/4	33/64	1-1/4	27/64	3-1/4	3	1-41/64	1.500	3/8	UC206-17MZZ	FBL206	1.16	
1-1/8	UCFBL206-18MZZ														UC206-18MZZ		1.10	
1-3/16	UCFBL206-19MZZ														UC206-19MZZ		1.06	
1-1/4	UCFBL206-20MZZ														UC206-20MZZ		1.02	
1-1/4	UCFBL207-20MZZ														UC207-20MZZ		1.72	
1-5/16	UCFBL207-21MZZ	203.35	6-3/16	2-3/8	2	1-1/4	41/64	1-7/16	33/64	3-3/4	3-1/2	1-55/64	1.689	1/2	UC207-21MZZ	FBL207	1.66	
1-3/8	UCFBL207-22MZZ														UC207-22MZZ		1.60	
1-7/16	UCFBL207-23MZZ														UC207-23MZZ		1.52	
Dimensions (mm)																		
15	UCFBL202MZZ	111.40	108	42.9	38.1	22.2	11.4	25.4	10.7	63.5	62	33.7	31	M10	UC202MZZ	FBL204	0.62	
17	UCFBL203MZZ														UC203MZZ		0.60	
20	UCFBL204MZZ	111.40	108	42.9	38.1	22.2	11.4	25.4	10.7	63.5	62	33.7	31	M10	UC204MZZ	FBL204	0.54	
25	UCFBL205MZZ	153.25	120.6	46	41.3	28.6	11.4	34	10.7	70	63.5	41.2	34		UC205MZZ	FBL205	0.70	
30	UCFBL206MZZ	183.60	138.5	52.4	47.6	31.8	13.3	31.8	10.7	83	76	41.5	38.1		UC206MZZ	FBL206	1.06	
35	UCFBL207MZZ	203.35	157	60.3	50.8	31.8	16.1	36.5	13.1	95	89	47.1	42.9	M12	UC207MZZ	FBL207	1.60	

NOTE: For Thermoplastic units please specify one of the following suffixes after the part number: "W" for a white housing or "B" for a black housing. Lubrication fitting Tap Size 1/4-28 UNF

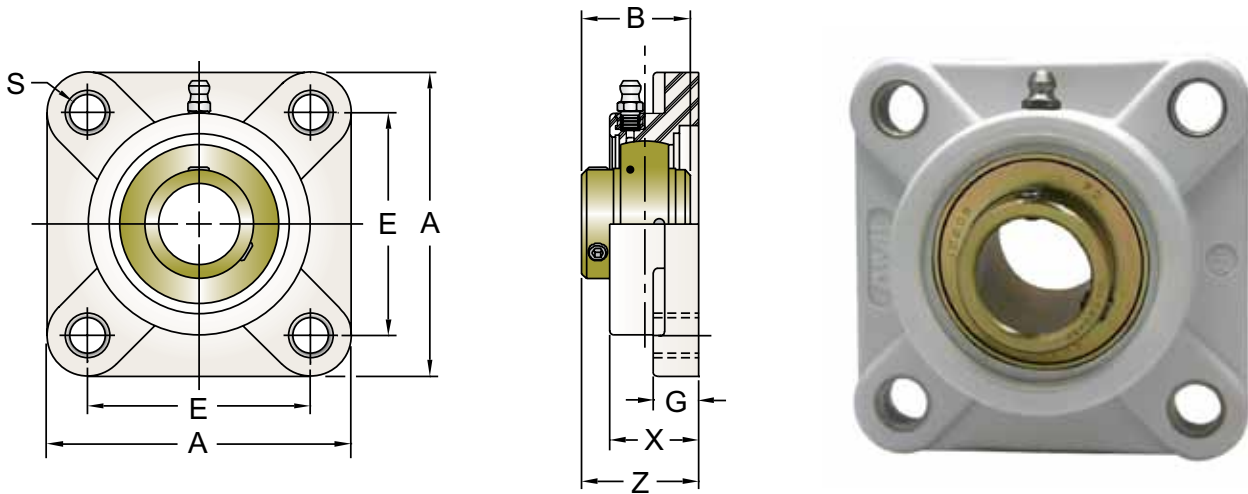
INTERCHANGES: CBF100ZMG

# FOUR-BOLT FLANGE UNITS

Zinc Insert detail-pg. 83 • RF Patent Seal-pg. 90 • Shur-Seal-pg. 56

# UCFPL 200MZ2

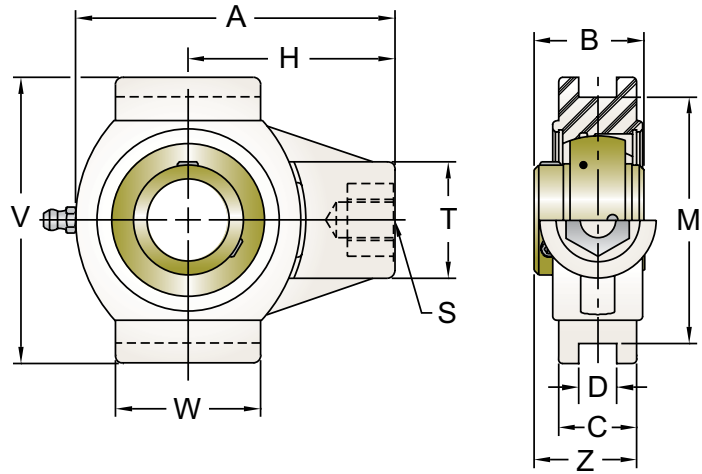
SELECT PLUS



Shaft Dia. (in.)	AMI Unit #	List Price	Dimensions (in.)							Bolt Size (in.)	Bearing #	Housing #	Weight (lb.)
			A	E	G	X	S	Z	B				
1/2	UCFPL201-8MZ2	101.10	3-3/8	2-1/2	17/32	1-3/32	7/16	1-27/64	1.220	3/8	UC201-8MZ2	FPL204	0.74
5/8	UCFPL202-10MZ2										UC202-10MZ2		0.70
3/4	UCFPL204-12MZ2										UC204-12MZ2		0.66
7/8	UCFPL205-14MZ2	109.40	3-3/4	2-3/4	9/16	1-7/64	7/16	1-29/64	1.339	3/8	UC205-14MZ2	FPL205	0.84
1	UCFPL205-16MZ2										UC205-16MZ2		0.76
1-1/16	UCFPL206-17MZ2	126.30	4-1/4	3-1/4	9/16	1-1/4	7/16	1-5/8	1.500	3/8	UC206-17MZ2	FPL206	1.22
1-1/8	UCFPL206-18MZ2										UC206-18MZ2		1.16
1-3/16	UCFPL206-19MZ2										UC206-19MZ2		1.12
1-1/4	UCFPL206-20MZ2										UC206-20MZ2		1.08
1-1/4	UCFPL207-20MZ2										UC207-20MZ2		1.78
1-5/16	UCFPL207-21MZ2	145.20	4-5/8	3-5/8	39/64	1-3/8	33/64	1-27/32	1.689	1/2	UC207-21MZ2	FPL207	1.72
1-3/8	UCFPL207-22MZ2										UC207-22MZ2		1.66
1-7/16	UCFPL207-23MZ2										UC207-23MZ2		1.58
1-1/2	UCFPL208-24MZ2										UC208-24MZ2		2.28
1-11/16	UCFPL209-27MZ2	193.30	5-3/8	4-1/8	3/4	1-39/64	43/64	2-9/64	1.937	5/8	UC209-27MZ2	FPL209	2.56
1-3/4	UCFPL209-28MZ2										UC209-28MZ2		2.48
1-7/8	UCFPL210-30MZ2	230.00	5-5/8	4-3/8	53/64	1-11/16	43/64	2-17/64	2.031	5/8	UC210-30MZ2	FPL210	3.00
1-15/16	UCFPL210-31MZ2										UC210-31MZ2		2.90
2	UCFPL210-32MZ2										UC210-32MZ2		2.80
Dimensions (mm)													
15	UCFPL202MZ2	101.10	86	63.5	13.4	27.8	11	36.3	31	M10	UC202MZ2	FPL204	0.72
17	UCFPL203MZ2										UC203MZ2		0.70
20	UCFPL204MZ2	101.10	86	63.5	13.4	27.8	11	36.3	31	M10	UC204MZ2	FPL204	0.64
25	UCFPL205MZ2										UC205MZ2		0.78
30	UCFPL206MZ2										UC206MZ2		1.12
35	UCFPL207MZ2	145.20	118	92	15.5	34.8	13	46.9	42.9	M12	UC207MZ2	FPL207	1.66
40	UCFPL208MZ2	177.60	130	102	17	37.5	14	53.2	49.2	M12	UC208MZ2	FPL208	2.18
45	UCFPL209MZ2	193.30	137	105	19	41	17	54.2	49.2	M16	UC209MZ2	FPL209	2.44
50	UCFPL210MZ2	230.00	143	111	21	43	17	57.6	51.6	M16	UC210MZ2	FPL210	2.86

NOTE: For Thermoplastic units please specify one of the following suffixes after the part number: "W" for a white housing or "B" for a black housing. Lubrication fitting Tap Size 1/4-28 UNF

INTERCHANGES: **CF4S-Z216** **C4F100ZMG**

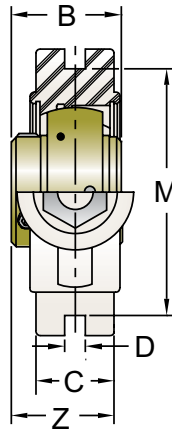
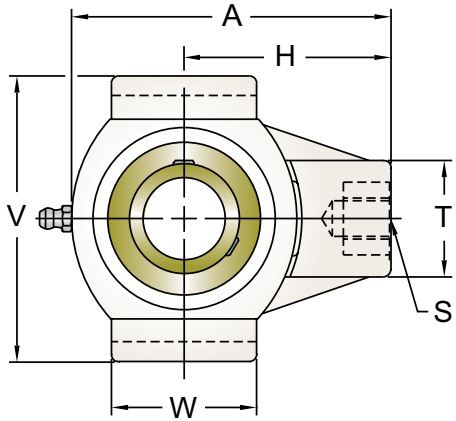


Shaft Dia. (in.)	AMI Unit #	List Price	Dimensions (in.)											Bearing #	Housing #	Weight (lb.)
			A	C	D	H	M	T	V	W	B	Z	S			
1/2	UCTPL201-8MZZ	132.30	3-57/64	61/64	15/32	2-33/64	3	1-27/64	3-31/64	1-49/64	1.220	1-13/64	1/2-13UNC	UC201-8MZZ	TPL204	0.84
5/8	UCTPL202-10MZZ													UC202-10MZZ		0.80
3/4	UCTPL204-12MZZ													UC204-12MZZ		0.76
7/8	UCTPL205-14MZZ	152.40	3-57/64	61/64	15/32	2-33/64	3	1-27/64	3-31/64	1-49/64	1.339	1-1/4	1/2-13UNC	UC205-14MZZ	TPL205	0.88
1	UCTPL205-16MZZ													UC205-16MZZ		0.80
1-1/16	UCTPL206-17MZZ	169.10	4-59/64	1-11/64	15/32	3	3-1/2	1-37/64	4-1/64	2-7/16	1.500	1-29/64	5/8-11UNC	UC206-17MZZ	TPL206	1.48
1-1/8	UCTPL206-18MZZ													UC206-18MZZ		1.42
1-3/16	UCTPL206-19MZZ													UC206-19MZZ		1.38
1-1/4	UCTPL206-20MZZ													UC206-20MZZ		1.34
1-1/4	UCTPL207-20MZZ	187.70	4-59/64	1-11/64	15/32	3	3-1/2	1-37/64	4-1/64	2-7/16	1.689	1-19/32	5/8-11UNC	UC207-20MZZ	TPL207	1.76
1-5/16	UCTPL207-21MZZ													UC207-21MZZ		1.70
1-3/8	UCTPL207-22MZZ													UC207-22MZZ		1.64
1-7/16	UCTPL207-23MZZ													UC207-23MZZ		1.56
1-1/2	UCTPL208-24MZZ													UC208-24MZZ		2.22
Dimensions (mm)																
15	UCTPL202MZZ	132.30	99	24.2	12	64	76	36	88.5	45	31	30.4	1/2-13UNC	UC202MZZ	TPL204	0.82
17	UCTPL203MZZ													UC203MZZ		0.80
20	UCTPL204MZZ	132.30	99	24.2	12	64	76	36	88.5	45	31	30.4	1/2-13UNC	UC204MZZ	TPL204	0.74
25	UCTPL205MZZ	152.40	99	24.2	12	64	76	36	88.5	45	34	31.8	1/2-13UNC	UC205MZZ	TPL205	0.82
30	UCTPL206MZZ	169.10	125	29.8	12	76	89	40	102	62	38.1	37.1	5/8-11UNC	UC206MZZ	TPL206	1.38
35	UCTPL207MZZ	187.70	125	29.8	12	76	89	40	102	62	42.9	40.3	5/8-11UNC	UC207MZZ	TPL207	1.64
40	UCTPL208MZZ	190.90	140	32.1	16	85	102	40	114	79	49.2	46.3	5/8-11UNC	UC208MZZ	TPL208	2.12

NOTE: For Thermoplastic units please specify one of the following suffixes after the part number: "W" for a white housing or "B" for a black housing. Lubrication fitting Tap Size 1/4-28 UNF

**INTERCHANGES: AMI EXCLUSIVE**

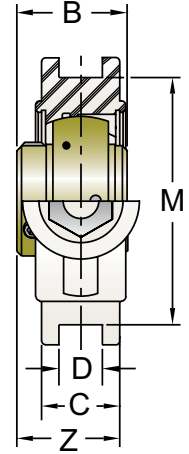
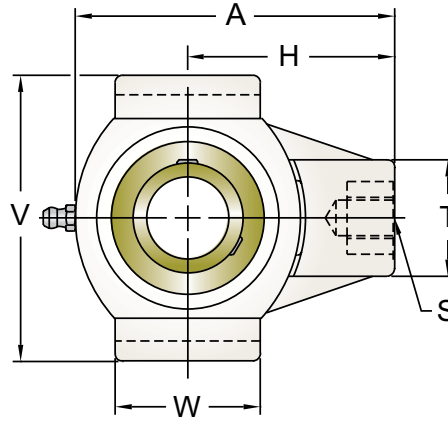




Shaft Dia. (in.)	AMI Unit #	List Price	Dimensions (in.)											Bearing #	Housing #	Weight (lb.)
			A	C	D	H	M	T	V	W	B	Z	S			
1/2	UCNTPL201-8MZZ	132.30	3-57/64	61/64	1/4	2-33/64	3	1-27/64	3-31/64	1-49/64	1.220	1-13/64	1/2-13UNC	UC201-8MZZ	NTPL204	0.86
5/8	UCNTPL202-10MZZ													UC202-10MZZ		0.82
3/4	UCNTPL204-12MZZ													UC204-12MZZ		0.78
7/8	UCNTPL205-14MZZ	152.40	3-57/64	61/64	1/4	2-33/64	3	1-27/64	3-31/64	1-49/64	1.339	1-1/4	1/2-13UNC	UC205-14MZZ	NTPL205	0.88
1	UCNTPL205-16MZZ													UC205-16MZZ		0.80
1-1/16	UCNTPL206-17MZZ	169.10	4-59/64	1-11/64	1/4	3	3-1/2	1-37/64	4-1/64	2-7/16	1.500	1-29/64	5/8-11UNC	UC206-17MZZ	NTPL206	1.52
1-1/8	UCNTPL206-18MZZ													UC206-18MZZ		1.46
1-3/16	UCNTPL206-19MZZ													UC206-19MZZ		1.42
1-1/4	UCNTPL206-20MZZ													UC206-20MZZ		1.38
1-1/4	UCNTPL207-20MZZ	187.70	4-59/64	1-11/64	1/4	3	3-1/2	1-37/64	4-1/64	2-7/16	1.689	1-19/32	5/8-11UNC	UC207-20MZZ	NTPL207	1.80
1-5/16	UCNTPL207-21MZZ													UC207-21MZZ		1.74
1-3/8	UCNTPL207-22MZZ													UC207-22MZZ		1.68
1-7/16	UCNTPL207-23MZZ													UC207-23MZZ		1.60
1-1/2	UCNTPL208-24MZZ													UC208-24MZZ		2.26
Dimensions (mm)																
15	UCNTPL202MZZ	132.30	99	24.2	6.4	64	76	36	88.5	45	31	30.4	1/2-13UNC	UC202MZZ	NTPL204	0.84
17	UCNTPL203MZZ													UC203MZZ		0.82
20	UCNTPL204MZZ	132.30	99	24.2	6.4	64	76	36	88.5	45	31	30.4	1/2-13UNC	UC204MZZ	NTPL204	0.76
25	UCNTPL205MZZ	152.40	99	24.2	6.4	64	76	36	88.5	45	34	31.8	1/2-13UNC	UC205MZZ	NTPL205	0.82
30	UCNTPL206MZZ	169.10	125	29.8	6.4	76	89	40	102	62	38.1	37.1	5/8-11UNC	UC206MZZ	NTPL206	1.42
35	UCNTPL207MZZ	187.70	125	29.8	6.4	76	89	40	102	62	42.9	40.3	5/8-11UNC	UC207MZZ	NTPL207	1.68
40	UCNTPL208MZZ	190.90	140	32.1	6.4	85	102	40	114	79	49.2	46.3	5/8-11UNC	UC208MZZ	NTPL208	2.16

NOTE: For Thermoplastic units please specify one of the following suffixes after the part number: "W" for a white housing or "B" for a black housing. Lubrication fitting Tap Size 1/4-28 UNF

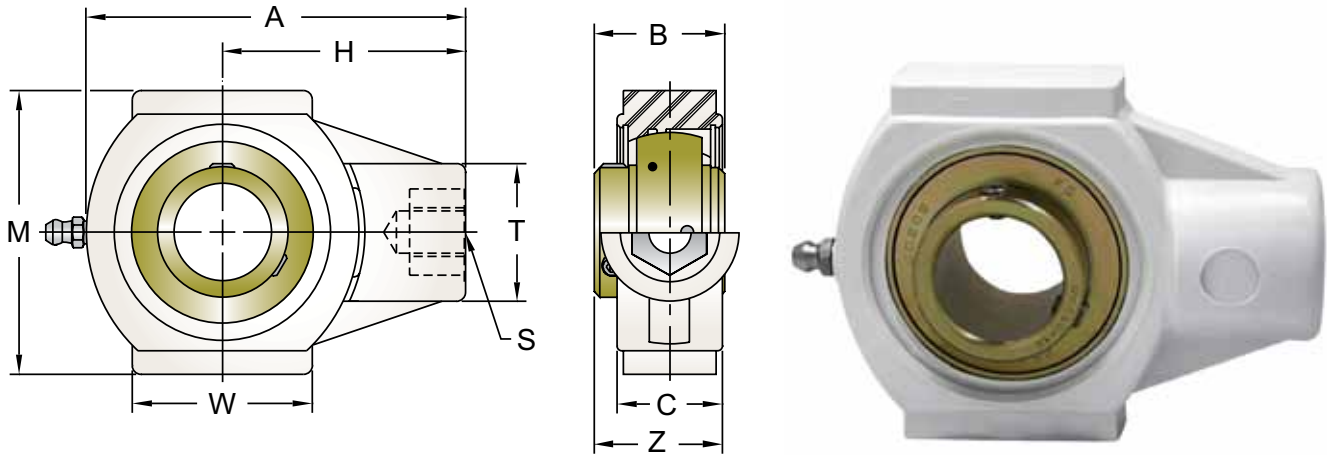
**INTERCHANGES:** UCTRS205-16S7PL CTN100ZM



Shaft Dia. (in.)	AMI Unit #	List Price	Dimensions (in.)											Bearing #	Housing #	Weight (lb.)
			A	C	D	H	M	T	V	W	B	Z	S			
1/2	UCWTPL201-8MZZ	132.30	3-57/64	61/64	17/32	2-33/64	3	1-27/64	3-31/64	1-49/64	1.220	1-13/64	1/2-13UNC	UC201-8MZZ	WTPL204	0.84
5/8	UCWTPL202-10MZZ													UC202-10MZZ		0.80
3/4	UCWTPL204-12MZZ													UC204-12MZZ		0.76
7/8	UCWTPL205-14MZZ	152.40	3-57/64	61/64	17/32	2-33/64	3	1-27/64	3-31/64	1-49/64	1.339	1-1/4	1/2-13UNC	UC205-14MZZ	WTPL205	0.86
1	UCWTPL205-16MZZ													UC205-16MZZ		0.78
1-1/16	UCWTPL206-17MZZ	169.10	4-59/64	1-11/64	17/32	3	3-1/2	1-37/64	4-1/64	2-7/16	1.500	1-29/64	5/8-11UNC	UC206-17MZZ	WTPL206	1.48
1-1/8	UCWTPL206-18MZZ													UC206-18MZZ		1.42
1-3/16	UCWTPL206-19MZZ													UC206-19MZZ		1.38
1-1/4	UCWTPL206-20MZZ													UC206-20MZZ		1.34
1-1/4	UCWTPL207-20MZZ	187.70	4-59/64	1-11/64	17/32	3	3-1/2	1-37/64	4-1/64	2-7/16	1.689	1-19/32	5/8-11UNC	UC207-20MZZ	WTPL207	1.76
1-5/16	UCWTPL207-21MZZ													UC207-21MZZ		1.70
1-3/8	UCWTPL207-22MZZ													UC207-22MZZ		1.64
1-7/16	UCWTPL207-23MZZ													UC207-23MZZ		1.56
1-1/2	UCWTPL208-24MZZ													UC208-24MZZ		2.22
Dimensions (mm)																
15	UCWTPL202MZZ	132.30	99	24.2	13.5	64	76	36	88.5	45	31	30.4	1/2-13UNC	UC202MZZ	WTPL204	0.82
17	UCWTPL203MZZ													UC203MZZ		0.80
20	UCWTPL204MZZ	132.30	99	24.2	13.5	64	76	36	88.5	45	31	30.4	1/2-13UNC	UC204MZZ	WTPL204	0.74
25	UCWTPL205MZZ	152.40	99	24.2	13.5	64	76	36	88.5	45	34	31.8	1/2-13UNC	UC205MZZ	WTPL205	0.80
30	UCWTPL206MZZ	169.10	125	29.8	13.5	76	89	40	102	62	38.1	37.1	5/8-11UNC	UC206MZZ	WTPL206	1.38
35	UCWTPL207MZZ	187.70	125	29.8	13.5	76	89	40	102	62	42.9	40.3	5/8-11UNC	UC207MZZ	WTPL207	1.64
40	UCWTPL208MZZ	190.90	140	32.1	17.5	85	102	40	114	79	49.2	46.3	5/8-11UNC	UC208MZZ	WTPL208	2.12

NOTE: For Thermoplastic units please specify one of the following suffixes after the part number: "W" for a white housing or "B" for a black housing. Lubrication fitting Tap Size 1/4-28 UNF

**INTERCHANGES:** UCT205-16S7PL CTW100ZM



Shaft Dia. (in.)	AMI Unit #	List Price	Dimensions (in.)									Bearing #	Housing #	Weight (lb.)
			A	C	H	M	T	W	B	Z	S			
1/2	UCHPL201-8MZZ	132.30	3-57/64	1-5/64	2-1/2	2-9/16	1-27/64	1-27/32	1.220	1-17/64	1/2-13UNC	UC201-8MZZ	HPL204	0.78
5/8	UCHPL202-10MZZ											UC202-10MZZ		0.74
3/4	UCHPL204-12MZZ											UC204-12MZZ		0.70
7/8	UCHPL205-14MZZ	152.40	3-57/64	1-5/64	2-1/2	2-29/32	1-27/64	1-27/32	1.339	1-5/16	1/2-13UNC	UC205-14MZZ	HPL205	0.84
1	UCHPL205-16MZZ											UC205-16MZZ		0.76
1-1/16	UCHPL206-17MZZ	169.10	4-59/64	1-23/64	3	3-1/2	1-37/64	2-1/2	1.500	1-35/64	5/8-11UNC	UC206-17MZZ	HPL206	1.44
1-1/8	UCHPL206-18MZZ											UC206-18MZZ		1.38
1-3/16	UCHPL206-19MZZ											UC206-19MZZ		1.34
1-1/4	UCHPL206-20MZZ											UC206-20MZZ		1.30
1-1/4	UCHPL207-20MZZ	187.70	4-59/64	1-23/64	3	3-1/2	1-37/64	2-1/2	1.689	1-43/64	5/8-11UNC	UC207-20MZZ	HPL207	1.74
1-5/16	UCHPL207-21MZZ											UC207-21MZZ		1.68
1-3/8	UCHPL207-22MZZ											UC207-22MZZ		1.62
1-7/16	UCHPL207-23MZZ											UC207-23MZZ		1.54
Dimensions (mm)														
15	UCHPL202MZZ	132.30	99	27.5	63.5	65	36	47	31.0	32.1	1/2-13UNC	UC202MZZ	HPL204	0.76
17	UCHPL203MZZ											UC203MZZ		0.74
20	UCHPL204MZZ	132.30	99	27.5	63.5	65	36	47	31.0	32.1	1/2-13UNC	UC204MZZ	HPL204	0.68
25	UCHPL205MZZ	152.40	99	27.5	63.5	74	36	47	34.0	33.5	1/2-13UNC	UC205MZZ	HPL205	0.78
30	UCHPL206MZZ	169.10	125	34.5	76	88.9	40	63.5	38.1	39.4	5/8-11UNC	UC206MZZ	HPL206	1.34
35	UCHPL207MZZ	187.70	125	34.5	76	88.9	40	63.5	42.9	42.6	5/8-11UNC	UC207MZZ	HPL207	1.62

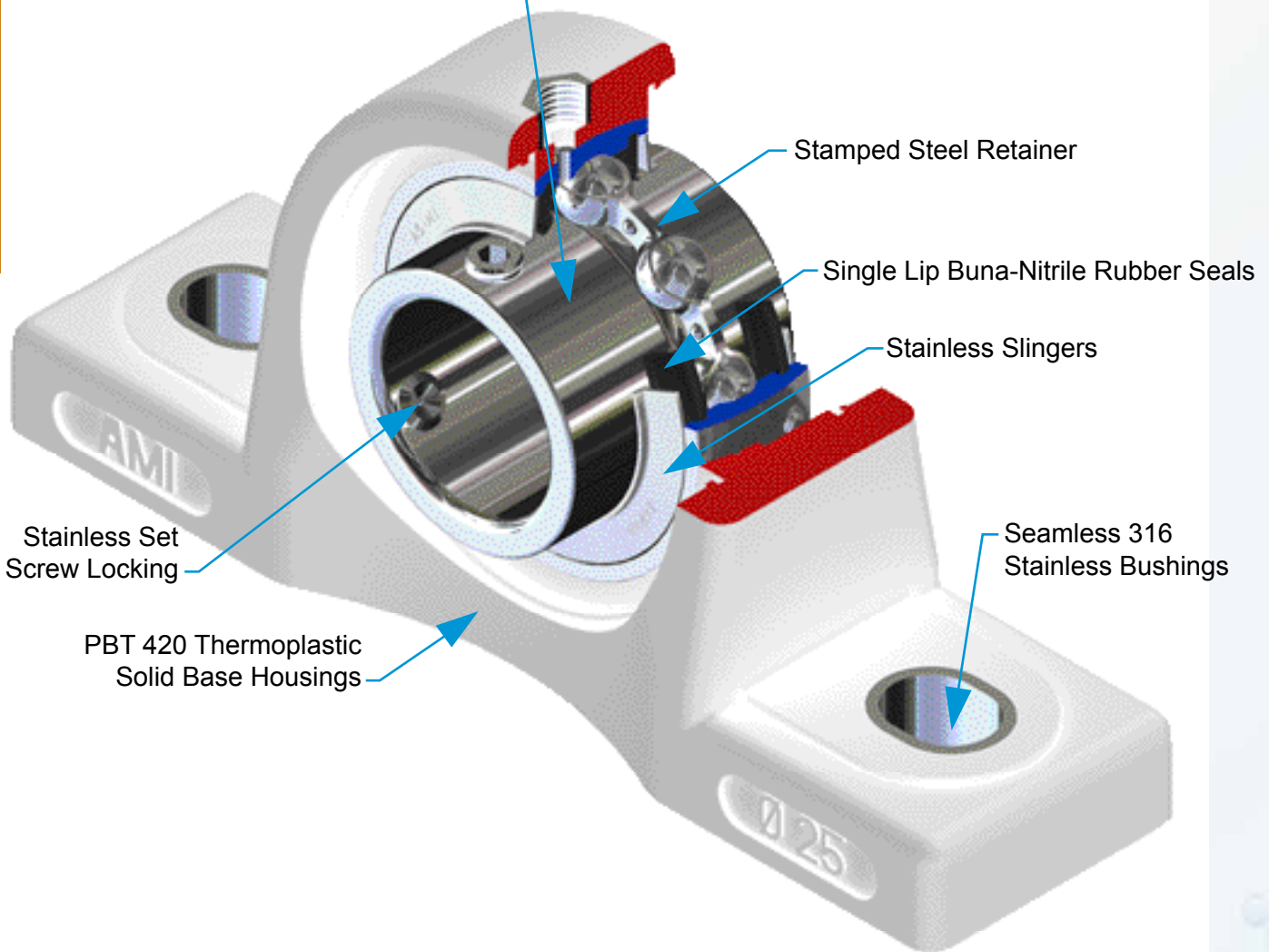
NOTE: For Thermoplastic units please specify one of the following suffixes after the part number: "W" for a white housing or "B" for a black housing. Lubrication fitting Tap Size 1/4-28 UNF

**INTERCHANGES: UCHA205-16S7PL**

# CHOICE SERIES

(Set Screw Locking Kanigen Corrosion Resistant Bearing Insert in Thermoplastic Housing)

Kanigen Corrosion Resistant AISI 52100  
Steel Inner and Outer Bearing Rings



**NOTE:** Kanigen inserts are also available with Nickel Corrosion Resistant Housings. Contact us for pricing and availability.

**Bore Size Range Availability: 1/2" to 2"**

**UCPPL205-16MZ20W**

- White Housing Material (Change "W" to "B" for Black Material)
- Kanigen Corrosion Resistant Bearing Insert
- Bearing Bore in Sixteenths of an Inch
- Basic Bearing Size
- Thermoplastic Housing Style
- Wide Inner Ring, Set Screw Locking Bearing Insert

Normal Duty • Wide Inner Ring • 0°F ~ 212°F • H1 Approved Food Grade Grease

# CHOICE SERIES

(Set Screw Locking Kanigen Corrosion Resistant Bearing Insert in Thermoplastic Housing)



UCPPL200MZ20



UCTBL200MZ20



UCNFL200MZ20



UCFBL200MZ20

AMI Unit Type		UCPPL200MZ20 (Pillow Block)	UCTBL200MZ20 (Tapped Base Pillow Block)	UCNFL200MZ20 (2-Bolt Flange)	UCFBL200MZ20 (3-Bolt Flange Bracket)	UCFPL200MZ20 (4-Bolt Flange)	UCTPL200MZ20 (Take-Up)	UCNTPL200MZ20 (Narrow Take-Up)	UCWTP200MZ20 (Wide Take-Up)	UCHPL200MZ20 (Hanger)
Shaft Dia.	Size	AMI List Price								
1/2	201-8	164.00	208.40	164.00	153.70	164.00	208.40	208.40	208.40	208.40
5/8	202-10	164.00	208.40	164.00	153.70	164.00	208.40	208.40	208.40	208.40
3/4	204-12	164.00	208.40	164.00	153.70	164.00	208.40	208.40	208.40	208.40
1	205-16	176.75	213.10	176.75	198.75	176.75	213.10	213.10	213.10	213.10
1-3/16	206-19	208.30	238.60	208.30	212.40	208.30	238.60	238.60	238.60	238.60
1-1/4	206-20	208.30	238.60	208.30	212.40	208.30	238.60	238.60	238.60	238.60
1-1/4	207-20	256.00	292.70	256.00	226.50	256.00	292.70	292.70	292.70	292.70
1-3/8	207-22	256.00	292.70	256.00	226.50	256.00	292.70	292.70	292.70	292.70
1-7/16	207-23	256.00	292.70	256.00	226.50	256.00	292.70	292.70	292.70	292.70
1-1/2	208-24	295.90	325.20	295.90	-	295.90	325.20	325.20	325.20	-
1-11/16	209-27	331.75	328.75	331.75	-	331.75	-	-	-	-
1-3/4	209-28	331.75	328.75	331.75	-	331.75	-	-	-	-
1-15/16	210-31	379.70	-	379.70	-	379.70	-	-	-	-
2	210-32	379.70	-	379.70	-	379.70	-	-	-	-
Dimensions (by page number)		24	25	26	28	29	30	31	32	33

NOTE: For Thermoplastic units please specify one of the following suffixes after the part number: "W" for a white housing or "B" for a black housing. Lubrication fitting Tap Size 1/4-28 UNF



UCFPL200MZ20



UCTPL200MZ20



UCNTPL200MZ20  
(Narrow)  
UCWTP200MZ20  
(Wide)



UCHPL200MZ20

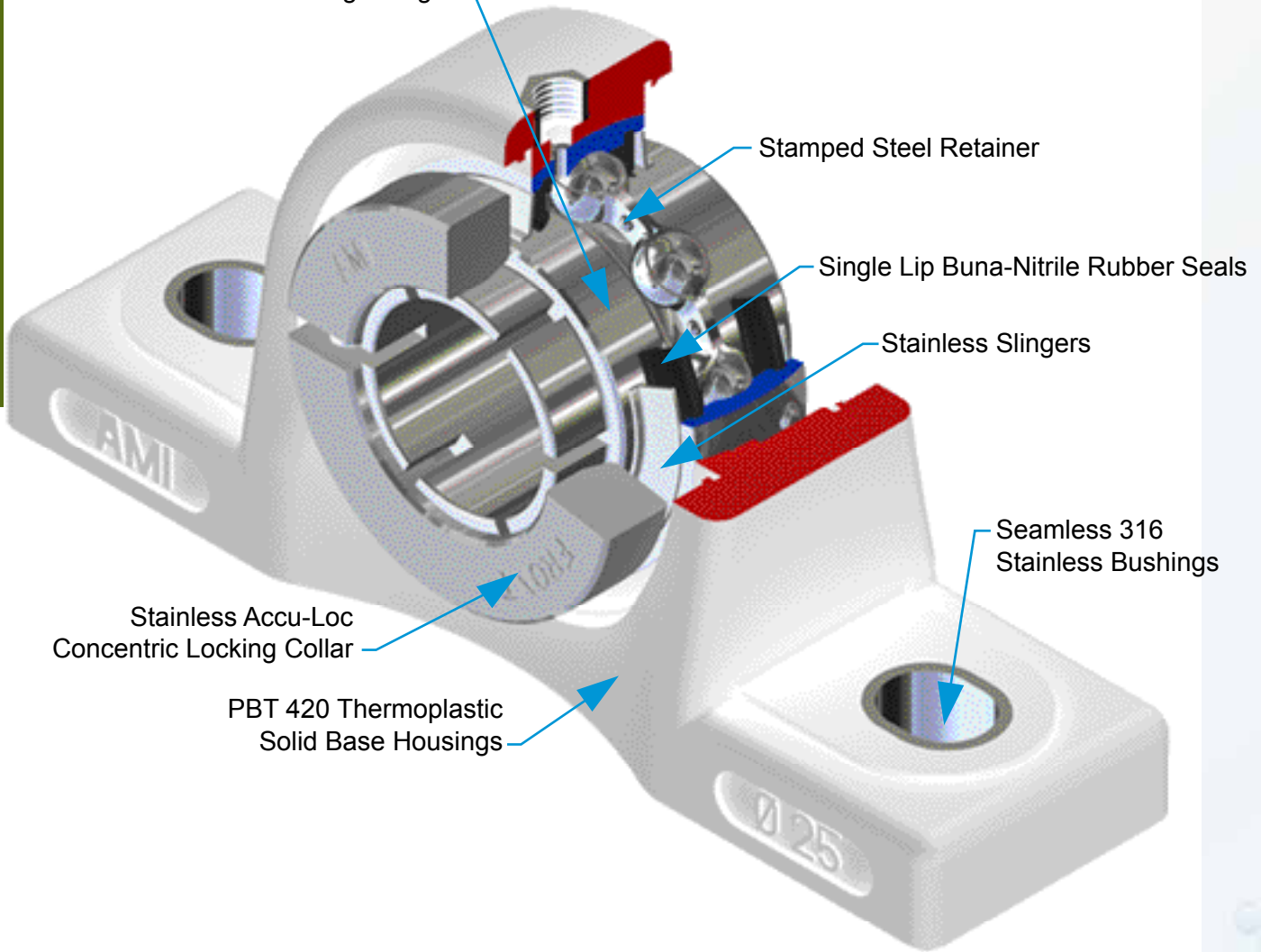
CHOICE

# CHOICE EXTRA SERIES

(Accu-Loc Locking Kanigen Corrosion Resistant Bearing Insert in Thermoplastic Housing)

Kanigen Corrosion Resistant AISI 52100  
Inner and Outer Bearings Rings

CHOICE EXTRA

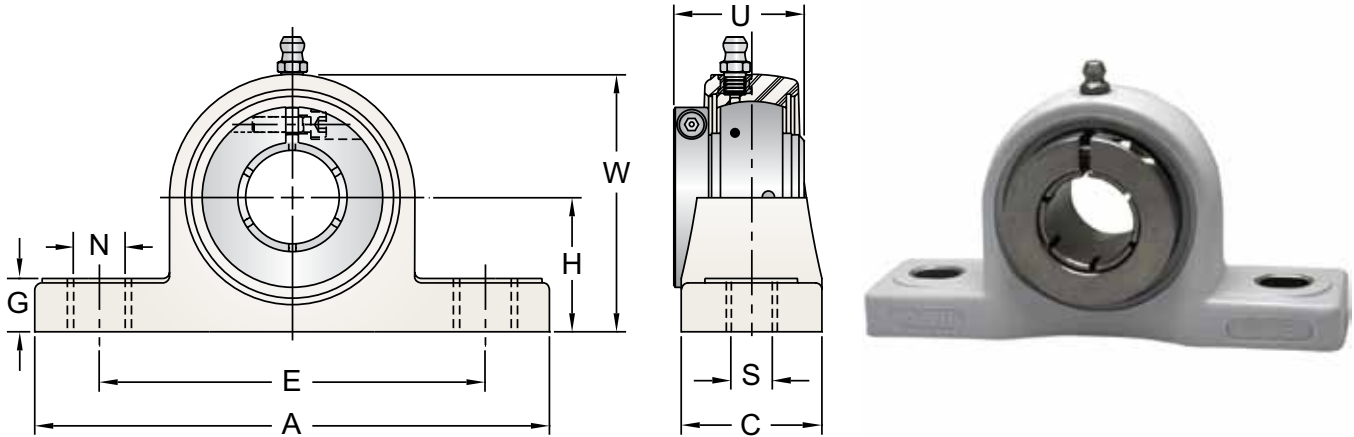


**Bore Size Range Availability: 3/4" to 1-1/2"**

**UEPPL205-16MZ20W**

- White Housing Material (Change "W" to "B" for Black Material)
- Kanigen Corrosion Resistant Bearing Insert
- Bearing Bore in Sixteenths of an Inch
- Basic Bearing Size
- Thermoplastic Housing Style
- Wide Inner Ring, Accu-Loc Locking Bearing Insert

Normal Duty • Wide Inner Ring • 0°F ~ 212°F • H1 Approved Food Grade Grease

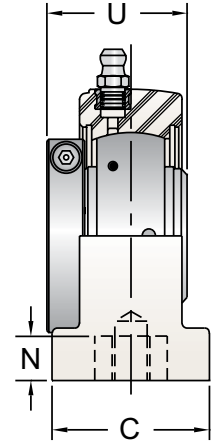
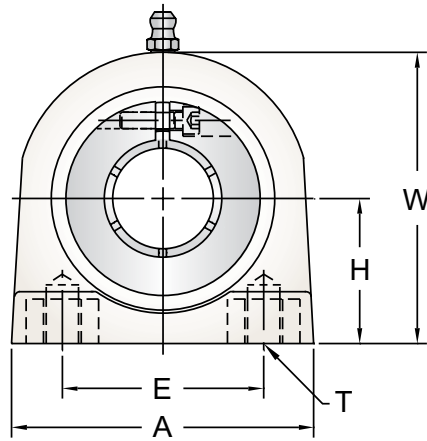


CHOICE EXTRA

Shaft Dia. (in.)	AMI Unit #	List Price	Dimensions (in.)										Bolt Size (in.)	Bearing #	Housing #	Weight (lb.)
			H	A	E		C	S	N	G	W	U				
					Min.	Max.										
3/4	UEPPL204-12MZ20	275.45	1-5/16	5	3-37/64	3-59/64	1-1/2	7/16	35/64	9/16	2-37/64	1.299	3/8	UE204-12MZ20	PPL204	0.80
1	UEPPL205-16MZ20	331.40	1-7/16	5-1/2	3-61/64	4-19/64	1-1/2	7/16	35/64	37/64	2-3/4	1.394	3/8	UE205-16MZ20	PPL205	0.90
1-3/16	UEPPL206-19MZ20	365.25	1-11/16	6-3/8	4-15/32	4-29/32	1-13/16	35/64	23/32	45/64	3-19/64	1.567	1/2	UE206-19MZ20	PPL206	1.36
1-1/4	UEPPL206-20MZ20													UE206-20MZ20		1.30
1-1/4	UEPPL207-20MZ20	425.10	1-7/8	6-39/64	4-25/32	5-7/32	1-7/8	35/64	23/32	23/32	3-23/32	1.728	1/2	UE207-20MZ20	PPL207	2.02
1-7/16	UEPPL207-23MZ20													UE207-23MZ20		1.86
1-1/2	UEPPL208-24MZ20	469.35	1-15/16	7-1/4	5-5/32	5-19/32	2-1/8	35/64	25/32	23/32	3-57/64	1.976	1/2	UE208-24MZ20	PPL208	2.54

NOTE: For Thermoplastic units please specify one of the following suffixes after the part number: "W" for a white housing or "B" for a black housing. Lubrication fitting Tap Size 1/4-28 UNF

**INTERCHANGES: P2B-DLEZ-100PCR CRPC-PN16T**

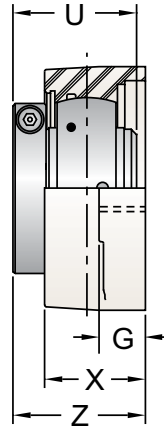
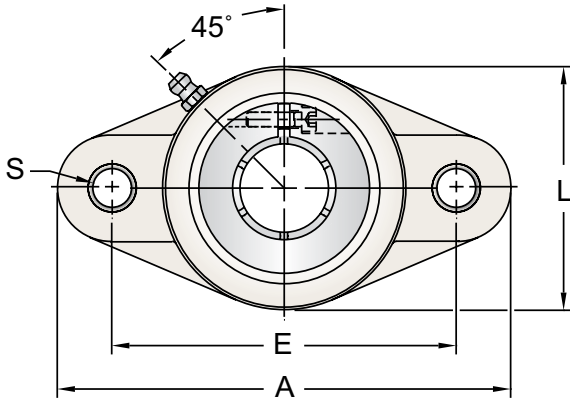


Shaft Dia. (in.)	AMI Unit #	List Price	Dimensions (in.)							Bolt Holes (UNC Thread) T	Bearing #	Housing #	Weight (lb.)
			H	A	E	C	N	W	U				
3/4	UETBL204-12MZ20	279.75	1-5/16	2-7/8	2	1-23/64	7/16	2-19/32	1.299	3/8-16	UE204-12MZ20	TBL204	0.74
1	UETBL205-16MZ20	350.00	1-7/16	3	2	1-9/16	7/16	2-57/64	1.394	3/8-16	UE205-16MZ20	TBL205	0.88
1-3/16	UETBL206-19MZ20	396.20	1-11/16	4	3	1-43/64	7/16	3-5/16	1.567	7/16-14	UE206-19MZ20	TBL206	1.30
1-1/4	UETBL206-20MZ20										UE206-20MZ20		
1-1/4	UETBL207-20MZ20	439.60	1-7/8	4-3/8	3-1/4	1-7/8	5/8	3-3/4	1.728	1/2-13	UE207-20MZ20	TBL207	2.00
1-7/16	UETBL207-23MZ20										UE207-23MZ20		
1-1/2	UETBL208-24MZ20	483.65	1-15/16	4-23/32	3-1/2	1-7/8	5/8	3-61/64	1.976	1/2-13	UE208-24MZ20	TBL208	2.40

NOTE: For Thermoplastic units please specify one of the following suffixes after the part number: "W" for a white housing or "B" for a black housing. Lubrication fitting Tap Size 1/4-28 UNF

**INTERCHANGES: TB-DLEZ-100-PCR CRTBC-PN16T**



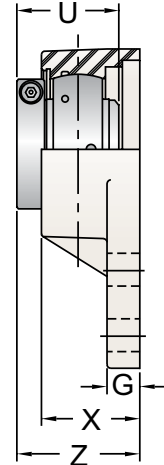
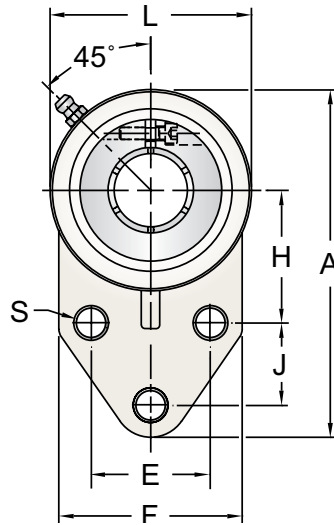


CHOICE EXTRA

Shaft Dia. (in.)	AMI Unit #	List Price	Dimensions (in.)								Bolt Size (in.)	Bearing #	Housing #	Weight (lb.)
			A	E	G	X	S	L	Z	U				
3/4	UENFL204-12MZ20	275.45	4-7/16	3-35/64	29/64	1-3/64	7/16	2-1/2	1-13/32	1.299	3/8	UE204-12MZ20	NFL204	0.68
1	UENFL205-16MZ20	331.40	5-1/8	3-57/64	17/32	1-9/64	7/16	2-3/4	1-1/2	1.394	3/8	UE205-16MZ20	NFL205	0.80
1-3/16	UENFL206-19MZ20	365.25	5-13/16	4-39/64	33/64	1-13/64	7/16	3-5/32	1-11/16	1.567	3/8	UE206-19MZ20	NFL206	1.14
1-1/4	UENFL206-20MZ20											UE206-20MZ20		1.08
1-1/4	UENFL207-20MZ20	425.10	6-7/16	5-1/8	41/64	1-19/64	33/64	3-35/64	1-3/4	1.728	1/2	UE207-20MZ20	NFL207	1.76
1-7/16	UENFL207-23MZ20											UE207-23MZ20		1.60
1-1/2	UENFL208-24MZ20	469.35	6-7/8	5-43/64	25/32	1-31/64	35/64	3-15/16	2-5/64	1.976	1/2	UE208-24MZ20	NFL208	2.28

NOTE: For Thermoplastic units please specify one of the following suffixes after the part number: "W" for a white housing or "B" for a black housing. Lubrication fitting Tap Size 1/4-28 UNF

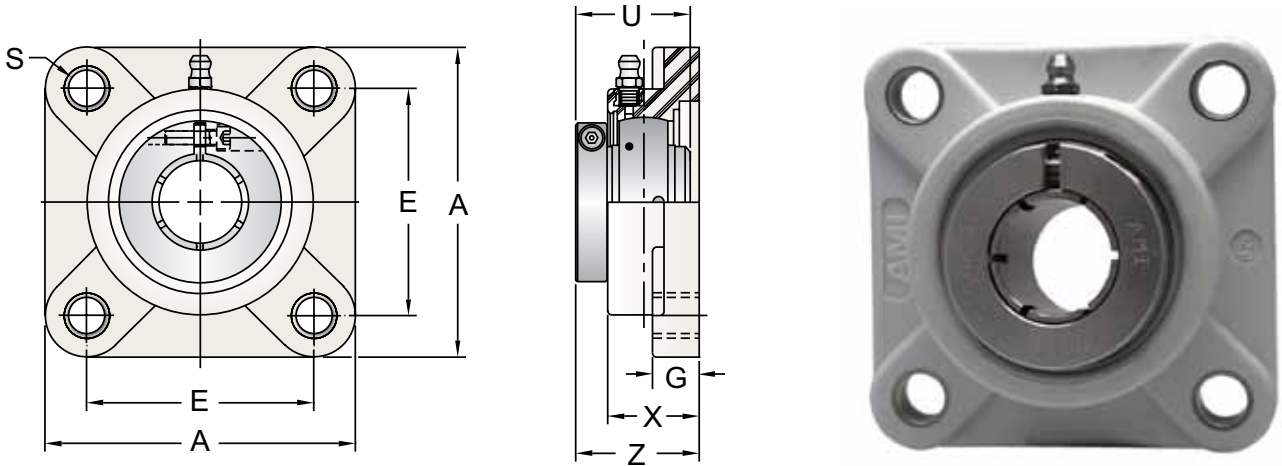
**INTERCHANGES: F2B-DLEZ-100PCR CRFTC-PN16T**



Shaft Dia. (in.)	AMI Unit #	List Price	Dimensions (in.)											Bolt Size (in.)	Bearing #	Housing #	Weight (lb.)
			A	H	E	J	G	X	S	L	F	Z	U				
3/4	UEFBL204-12MZ20	265.15	4-1/4	1-11/16	1-1/2	7/8	29/64	1	27/64	2-1/2	2-7/16	1-13/32	1.299	3/8	UE204-12MZ20	FBL204	0.70
	UEFBL205-16MZ20	353.40	4-3/4	1-13/16	1-5/8	1-1/8	29/64	1-11/32	27/64	2-3/4	2-1/2	1-43/64	1.394	3/8	UE205-16MZ20	FBL205	0.82
1-3/16	UEFBL206-19MZ20	369.35	5-29/64	2-1/16	1-7/8	1-1/4	33/64	1-1/4	27/64	3-1/4	3	1-45/64	1.567	3/8	UE206-19MZ20	FBL206	1.24
1-1/4	UEFBL206-20MZ20														UE206-20MZ20	FBL206	1.18
1-1/4	UEFBL207-20MZ20	395.60	6-3/16	2-3/8	2	1-1/4	41/64	1-7/16	33/64	3-3/4	3-1/2	1-57/64	1.728	1/2	UE207-20MZ20	FBL207	1.92
1-7/16	UEFBL207-23MZ20														UE207-23MZ20	FBL207	1.76

NOTE: For Thermoplastic units please specify one of the following suffixes after the part number: "W" for a white housing or "B" for a black housing. Lubrication fitting Tap Size 1/4-28 UNF

**INTERCHANGES: FB-DLEZ-100-PCR**

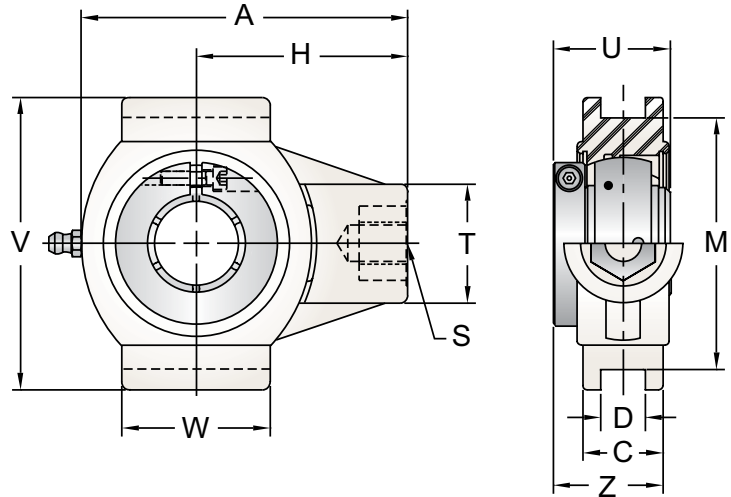


CHOICE EXTRA

Shaft Dia. (in.)	AMI Unit #	List Price	Dimensions (in.)							Bolt Size (in.)	Bearing #	Housing #	Weight (lb.)
			A	E	G	X	S	Z	U				
3/4	UEFPL204-12MZ20	275.45	3-3/8	2-1/2	17/32	1-3/32	7/16	1-33/64	1.299	3/8	UE204-12MZ20	FPL204	0.80
1	UEFPL205-16MZ20	331.40	3-3/4	2-3/4	9/16	1-7/64	7/16	1-1/2	1.394	3/8	UE205-16MZ20	FPL205	0.90
1-3/16	UEFPL206-19MZ20	365.25	4-1/4	3-1/4	9/16	1-1/4	7/16	1-45/64	1.567	3/8	UE206-19MZ20	FPL206	1.30
1-1/4	UEFPL206-20MZ20										UE206-20MZ20		1.24
1-1/4	UEFPL207-20MZ20	425.10	4-5/8	3-5/8	39/64	1-3/8	33/64	1-57/64	1.728	1/2	UE207-20MZ20	FPL207	1.98
1-7/16	UEFPL207-23MZ20										UE207-23MZ20		
1-1/2	UEFPL208-24MZ20	469.35	5-1/8	4	43/64	1-15/32	35/64	2-9/64	1.976	1/2	UE208-24MZ20	FPL208	2.52

NOTE: For Thermoplastic units please specify one of the following suffixes after the part number: "W" for a white housing or "B" for a black housing. Lubrication fitting Tap Size 1/4-28 UNF

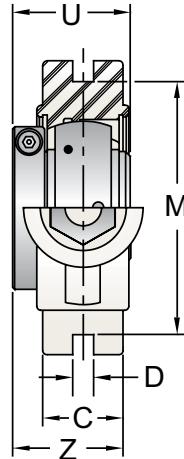
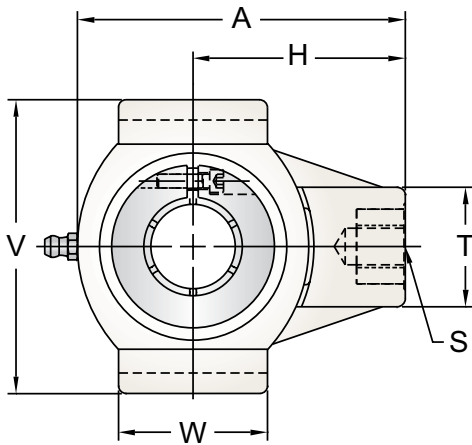
**INTERCHANGES:** F4B-DLEZ-100PCR CRFC-PN16T



Shaft Dia. (in.)	AMI Unit #	List Price	Dimensions (in.)											Bearing #	Housing #	Weight (lb.)
			A	C	D	H	M	T	V	W	Z	U	S			
3/4	UETPL204-12MZ20	319.85	3-57/64	61/64	15/32	2-33/64	3	1-27/64	3-31/64	1-49/64	1-9/32	1.299	1/2-13UNC	UE204-12MZ20	TPL204	0.90
	UETPL205-16MZ20	367.75	3-57/64	61/64	15/32	2-33/64	3	1-27/64	3-31/64	1-49/64	1-5/16	1.394	1/2-13UNC	UE205-16MZ20	TPL205	0.94
1-3/16	UETPL206-19MZ20	395.55	4-59/64	1-11/64	15/32	3	3-1/2	1-37/64	4-1/64	2-7/16	1-17/32	1.567	5/8-11UNC	UE206-19MZ20	TPL206	1.56
1-1/4	UETPL206-20MZ20													UE206-20MZ20		1.50
1-1/4	UETPL207-20MZ20	461.80	4-59/64	1-11/64	15/32	3	3-1/2	1-37/64	4-1/64	2-7/16	1-5/8	1.728	5/8-11UNC	UE207-20MZ20	TPL207	1.96
1-7/16	UETPL207-23MZ20													UE207-23MZ20		1.80
1-1/2	UETPL208-24MZ20	483.65	5-33/64	1-17/64	5/8	3-11/32	4-1/64	1-37/64	4-31/64	3-7/64	1-55/64	1.976	5/8-11UNC	UE208-24MZ20	TPL208	2.46

NOTE: For Thermoplastic units please specify one of the following suffixes after the part number: "W" for a white housing or "B" for a black housing. Lubrication fitting Tap Size 1/4-28 UNF

**INTERCHANGES: AMI EXCLUSIVE**

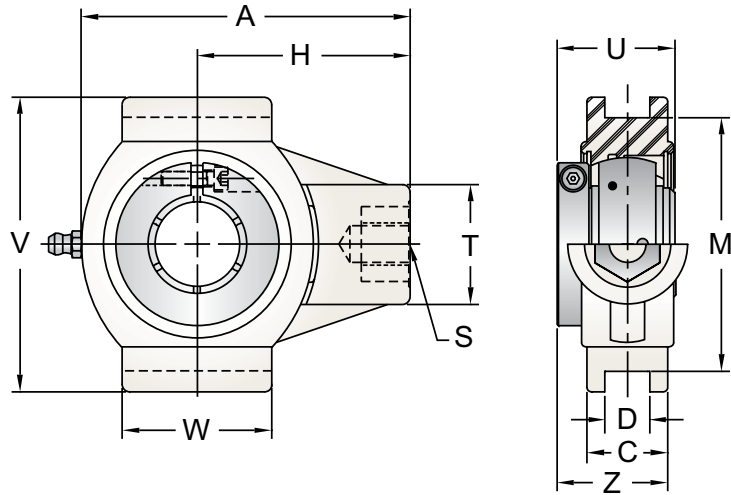


**CHOICE EXTRA**

Shaft Dia. (in.)	AMI Unit #	List Price	Dimensions (in.)											Bearing #	Housing #	Weight (lb.)
			A	C	D	H	M	T	V	W	Z	U	S			
3/4	UENTPL204-12MZ20	319.85	3-57/64	61/64	1/4	2-33/64	3	1-27/64	3-31/64	1-49/64	1-9/32	1.299	1/2-13UNC	UE204-12MZ20	NTPL204	0.92
1	UENTPL205-16MZ20	367.75	3-57/64	61/64	1/4	2-33/64	3	1-27/64	3-31/64	1-49/64	1-5/16	1.394	1/2-13UNC	UE205-16MZ20	NTPL205	0.94
1-3/16	UENTPL206-19MZ20	395.55	4-59/64	1-11/64	1/4	3	3-1/2	1-37/64	4-1/64	2-7/16	1-17/32	1.567	5/8-11UNC	UE206-19MZ20	NTPL206	1.60
1-1/4	UENTPL206-20MZ20													UE206-20MZ20		1.54
1-1/4	UENTPL207-20MZ20	461.80	4-59/64	1-11/64	1/4	3	3-1/2	1-37/64	4-1/64	2-7/16	1-5/8	1.728	5/8-11UNC	UE207-20MZ20	NTPL207	2.00
1-7/16	UENTPL207-23MZ20	461.80	4-59/64	1-11/64	1/4	3	3-1/2	1-37/64	4-1/64	2-7/16	1-5/8	1.728	5/8-11UNC	UE207-23MZ20		1.84
1-1/2	UENTPL208-24MZ20	483.65	5-33/64	1-17/64	1/4	3-11/32	4-1/64	1-37/64	4-31/64	3-7/64	1-55/64	1.976	5/8-11UNC	UE208-24MZ20	NTPL208	2.50

NOTE: For Thermoplastic units please specify one of the following suffixes after the part number: "W" for a white housing or "B" for a black housing. Lubrication fitting Tap Size 1/4-28 UNF

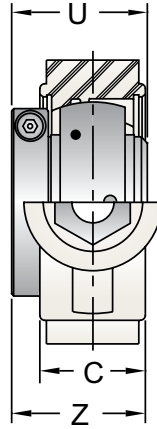
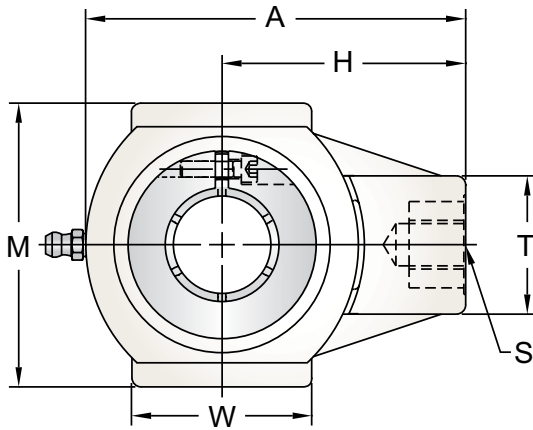
**INTERCHANGES: AMI EXCLUSIVE**



Shaft Dia. (in.)	AMI Unit #	List Price	Dimensions (in.)											Bearing #	Housing #	Weight (lb.)
			A	C	D	H	M	T	V	W	Z	U	S			
3/4	UEWTPL204-12MZ20	319.85	3-57/64	61/64	17/32	2-33/64	3	1-27/64	3-31/64	1-49/64	1-9/32	1.299	1/2-13UNC	UE204-12MZ20	WTPL204	0.90
	1	UEWTPL205-16MZ20	367.75	3-57/64	61/64	17/32	2-33/64	3	1-27/64	3-31/64	1-49/64	1-5/16	1.394	1/2-13UNC	UE205-16MZ20	WTPL205
1-3/16	UEWTPL206-19MZ20	395.55	4-59/64	1-11/64	17/32	3	3-1/2	1-37/64	4-1/64	2-7/16	1-17/32	1.567	5/8-11UNC	UE206-19MZ20	WTPL206	1.56
1-1/4	UEWTPL206-20MZ20													UE206-20MZ20	WTPL206	1.50
1-1/4	UEWTPL207-20MZ20	461.80	4-59/64	1-11/64	17/32	3	3-1/2	1-37/64	4-1/64	2-7/16	1-5/8	1.728	5/8-11UNC	UE207-20MZ20	WTPL207	1.96
1-7/16	UEWTPL207-23MZ20													UE207-23MZ20	WTPL207	1.80
1-1/2	UEWTPL208-24MZ20	483.65	5-33/64	1-17/64	11/16	3-11/32	4-1/64	1-37/64	4-31/64	3-7/64	1-55/64	1.976	5/8-11UNC	UE208-24MZ20	WTPL208	2.46

NOTE: For Thermoplastic units please specify one of the following suffixes after the part number: "W" for a white housing or "B" for a black housing. Lubrication fitting Tap Size 1/4-28 UNF

**INTERCHANGES: AMI EXCLUSIVE**



CHOICE EXTRA

Shaft Dia. (in.)	AMI Unit #	List Price	Dimensions (in.)									Bearing #	Housing #	Weight (lb.)
			A	C	H	M	T	W	Z	U	S			
3/4	UEHPL204-12MZ20	319.85	3-57/64	1-5/64	2-1/2	2-9/16	1-27/64	1-27/32	1-11/32	1.299	1/2-13UNC	UE204-12MZ20	HPL204	0.84
1	UEHPL205-16MZ20	367.75	3-57/64	1-5/64	2-1/2	2-29/32	1-27/64	1-27/32	1-3/8	1.394	1/2-13UNC	UE205-16MZ20	HPL205	0.90
1-3/16	UEHPL206-19MZ20	395.55	4-59/64	1-23/64	3	3-1/2	1-37/64	2-1/2	1-5/8	1.567	5/8-11UNC	UE206-19MZ20	HPL206	1.52
1-1/4	UEHPL206-20MZ20											UE206-20MZ20	HPL206	1.46
1-1/4	UEHPL207-20MZ20	461.80	4-59/64	1-23/64	3	3-1/2	1-37/64	2-1/2	1-23/32	1.728	5/8-11UNC	UE207-20MZ20	HPL207	1.94
1-7/16	UEHPL207-23MZ20											UE207-23MZ20		HPL207

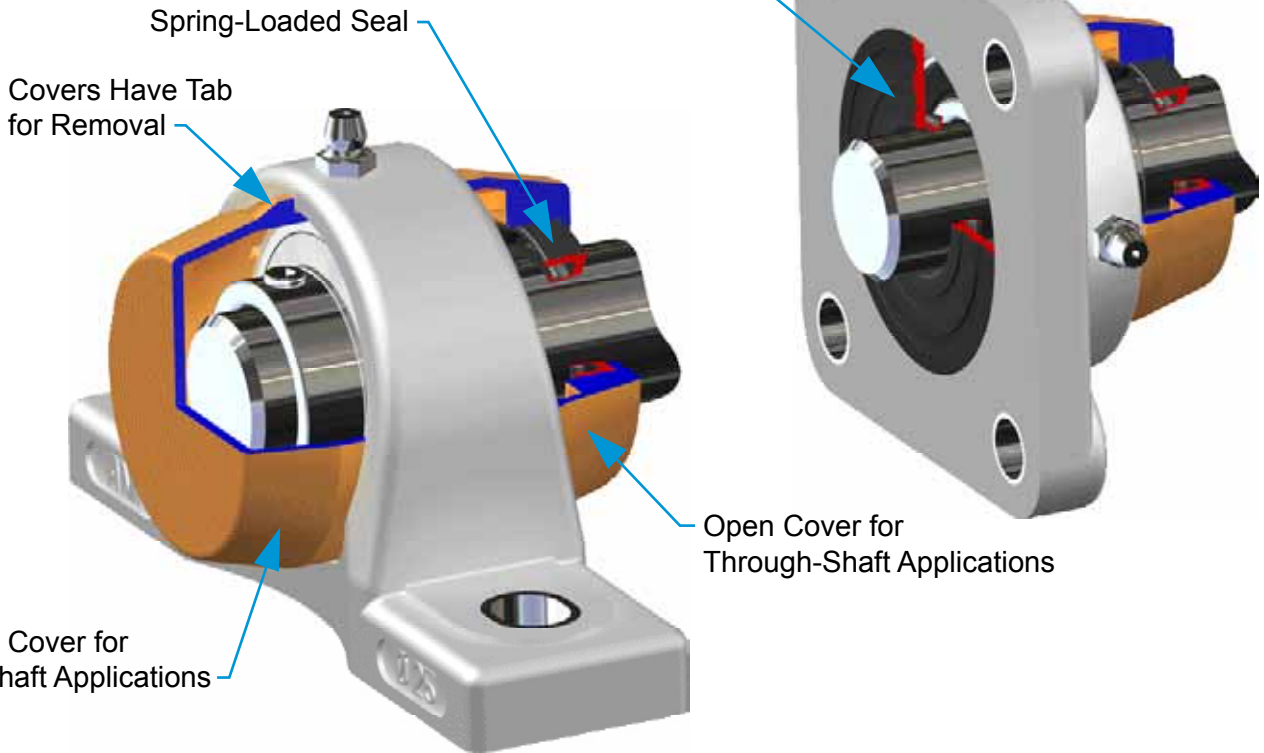
NOTE: For Thermoplastic units please specify one of the following suffixes after the part number: "W" for a white housing or "B" for a black housing. Lubrication fitting Tap Size 1/4-28 UNF

**INTERCHANGES: AMI EXCLUSIVE**

# SHUR-SEAL SERIES

The Shur-Seal Bearing Protection System stands up to repeated high-pressure washdown and the steady stream of dry and fine particle contaminants that surround mounted bearings in many of today's plant environments.

Spring-Loaded Back Seal that Sits Flush with the Back of the Housing for 2-Bolt, 3-Bolt & 4-Bolt Flange Housing Styles



SHUR-SEAL

OPEN COVERS		
BORE	UNIT #	LIST
1/2	204-8OC*	9.80
3/4	204-12OC*	9.80
7/8	205-14OC*	11.70
15/16	205-15OC*	11.70
1	205-16OC*	11.70
1-1/8	206-18OC*	13.30
1-3/16	206-19OC*	13.30
1-1/4	206-20OC*	13.30
1-1/4	207-20OC*	15.50
1-3/8	207-22OC*	15.50
1-7/16	207-23OC*	15.50
1-1/2	208-24OC*	17.10
20	204OC*	9.80
25	205OC*	11.70
30	206OC*	13.30
35	207OC*	15.50
40	208OC*	17.10
45	209OC*	19.80
50	210OC*	22.40

CLOSED COVERS		
UNIT #	LIST	
204CC*	5.20	
205CC*	5.80	
206CC*	6.50	
207CC*	7.10	
208CC*	8.20	
209CC*	9.70	
210CC*	11.20	

BACK SEALS		
BORE	UNIT #	LIST
3/4	204BS-12	5.30
7/8	205BS-14	5.80
15/16	205BS-15	5.80
1	205BS-16	5.80
1-1/8	206BS-18	7.90
1-3/16	206BS-19	7.90
1-1/4	206BS-20	7.90
1-1/4	207BS-20	8.40
1-3/8	207BS-22	8.40
1-7/16	207BS-23	8.40
1-1/2	208BS-24	9.50
20	204BS	7.40
25	205BS	9.60
30	206BS	11.40
35	207BS	14.30
40	208BS	16.60

**Seals Out Contaminants  
Retains Lubrication  
Ideal for HACCP Monitored Facilities**

The Shur-Seal system is comprised of any combination of Closed Covers, Open Covers, and Back Seals that integrate with our Thermoplastic Bearing Housings

## MUCPPL205-16CW

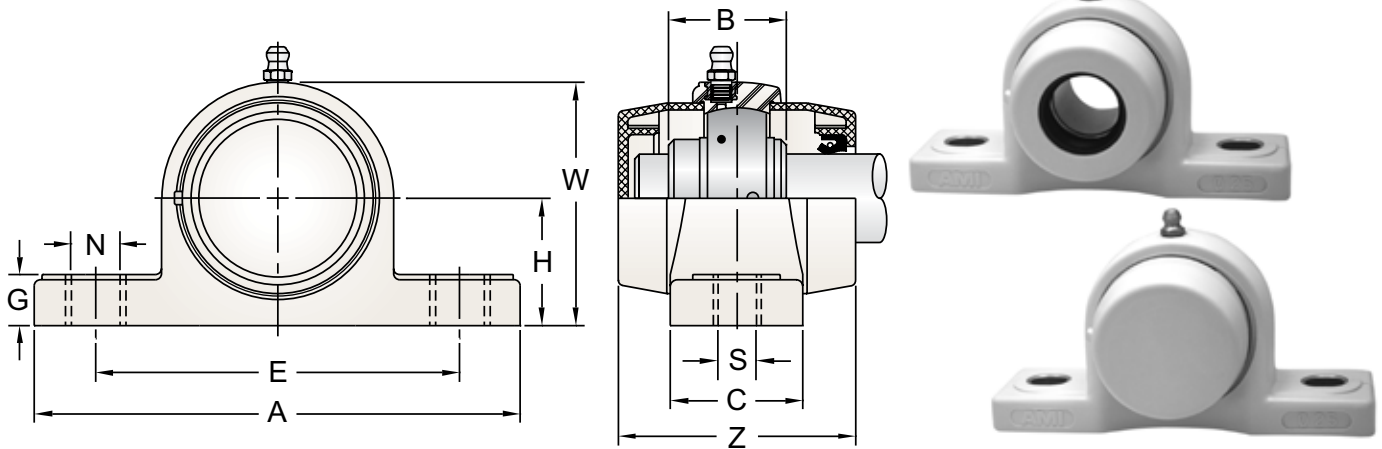
White Housing Material  
(Change "W" to "B" for Black)  
2 Open Covers  
(Change to "CE" for 1 Open & 1 Closed Cover)

C = 2 Open Covers  
CE = 1 Closed & 1 Open Cover  
W = White Housing  
B = Black Housing  
OCW = White Cover  
OCB = Black Cover  
OCO = Orange Cover  
BS = Back Seal

NOTE: For 2-Bolt, 3-Bolt and 4-Bolt Flange: 1 Open Cover and Back Seal

\*For Open & Closed Covers please specify one of the following suffixes after the part number: "W" for white cover, "B" for black cover, or "O" for orange cover (Example: 205-16OCW = white open cover)



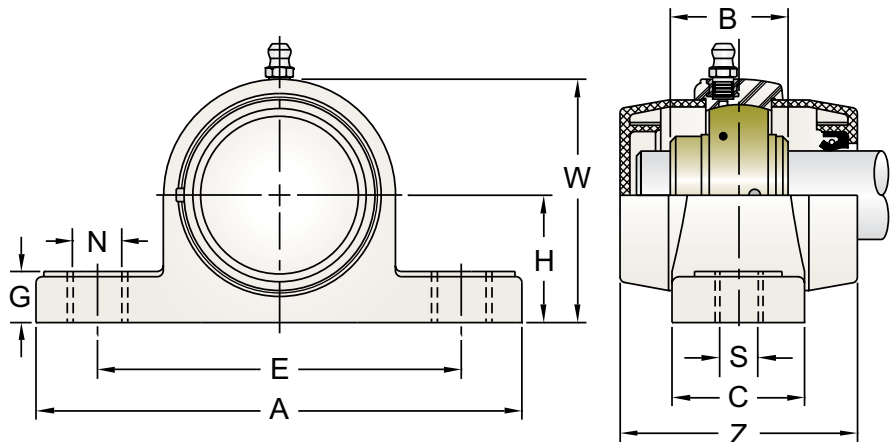


Shaft Dia. (in.)	AMI Unit #		List Price	Dimensions (in.)											Bolt Size (in.)	Bearing #	Housing #	Weight (lb.)
	2 Open Covers	1 Open Cover and 1 Closed Cover		H	A	E		C	S	N	G	W	Z	B				
						Min.	Max.											
1/2	MUCPPL201-8C	MUCPPL201-8CE	219.00	1-5/16	5	3-37/64	3-59/64	1-1/2	7/16	35/64	9/16	2-37/64	2-15/32	1.220	3/8	MUC201-8	PPL204	0.79
3/4	MUCPPL204-12C	MUCPPL204-12CE														MUC204-12		0.68
7/8	MUCPPL205-14C	MUCPPL205-14CE	239.80													MUC205-14		0.87
15/16	MUCPPL205-15C	MUCPPL205-15CE	276.30	1-7/16	5-1/2	3-61/64	4-19/64	1-1/2	7/16	35/64	37/64	2-3/4	2-41/64	1.339	3/8	MUC205-15	PPL205	0.83
1	MUCPPL205-16C	MUCPPL205-16CE	239.80													MUC205-16		0.79
1-1/8	MUCPPL206-18C	MUCPPL206-18CE														MUC206-18		1.29
1-3/16	MUCPPL206-19C	MUCPPL206-19CE	294.80	1-11/16	6-3/8	4-15/32	4-29/32	1-13/16	35/64	23/32	45/64	3-19/64	3-3/32	1.500	1/2	MUC206-19	PPL206	1.23
1-1/4	MUCPPL206-20C	MUCPPL206-20CE														MUC206-20		1.17
1-1/4	MUCPPL207-20C	MUCPPL207-20CE	381.00													MUC207-20		1.87
1-3/8	MUCPPL207-22C	MUCPPL207-22CE	381.00	1-7/8	6-39/64	4-25/32	5-7/32	1-7/8	35/64	23/32	23/32	3-23/32	3-7/16	1.689	1/2	MUC207-22	PPL207	1.75
1-7/16	MUCPPL207-23C	MUCPPL207-23CE	381.00													MUC207-23		1.69
1-1/2	MUCPPL208-24C	MUCPPL208-24CE	421.50	1-15/16	7-1/4	5-5/32	5-19/32	2-1/8	35/64	23/32	25/32	3-57/64	4-1/16	1.937	1/2	MUC208-24	PPL208	2.36
Dimensions (mm)																		
20	MUCPPL204C	MUCPPL204CE	219.00	33.3	127	91	99	38	11	14	14.2	65.5	62.6	31	M10	MUC204	PPL204	0.67
25	MUCPPL205C	MUCPPL205CE	239.80	36.5	140	101	109	38	11	14	14.5	71.0	67.0	34	M10	MUC205	PPL205	0.81
30	MUCPPL206C	MUCPPL206CE	294.80	42.9	162	113	125	46	14	18	17.8	83.7	78.6	38.1	M12	MUC206	PPL206	1.23
35	MUCPPL207C	MUCPPL207CE	381.00	47.6	168	121	133	48	14	18	18	94.5	87.5	42.9	M12	MUC207	PPL207	1.75
40	MUCPPL208C	MUCPPL208CE	421.50	49.2	184	131	143	54	14	18	19.8	98.5	103.3	49.2	M12	MUC208	PPL208	2.28
45	MUCPPL209C	MUCPPL209CE	461.80	54.0	192	142	150	54	17	20	23	106.0	109.3	49.2	M16	MUC209	PPL209	2.50
50	MUCPPL210C	MUCPPL210CE	517.00	57.2	206	155	163	60	17	20	23	114.0	120.8	51.6	M16	MUC210	PPL210	2.99

NOTE: For Thermoplastic units please specify one of the following suffixes after the part number: "W" for a white housing or "B" for a black housing. For Shur-Seal units please specify one of the following suffixes after the size: "C" for 2 open covers or "CE" for 1 closed cover and 1 open cover. (Example: MUCPPL205-16CW = White Pillow Block with 2 open covers)  
Lubrication fitting Tap Size 1/4-28 UNF

<b>INTERCHANGES:</b>	<b>CPS-S216ECC</b>	<b>CPS-S216ECO</b>	<b>PB251CTWx1CPCC</b>	<b>PB251CTWx1CPOC</b>	<b>CPB100SSEC</b>	<b>CRPC-PN16ECC</b>	<b>CRPC-PN16ECO</b>
----------------------	--------------------	--------------------	-----------------------	-----------------------	-------------------	---------------------	---------------------

**SHUR-SEAL**



SHUR-SEAL

Shaft Dia. (in.)	AMI Unit #		List Price	Dimensions (in.)											Bolt Size (in.)	Bearing #	Housing #	Weight (lb.)
	2 Open Covers	1 Open Cover and 1 Closed Cover		H	A	E		C	S	N	G	W	Z	B				
						Min.	Max.											
1/2	UCPPL201-8MZ2C	UCPPL201-8MZ2CE	113.70	1-5/16	5	3-37/64	3-59/64	1-1/2	7/16	35/64	9/16	2-37/64	2-15/32	1.220	3/8	UC201-8MZ2	PPL204	0.79
3/4	UCPPL204-12MZ2C	UCPPL204-12MZ2CE														UC204-12MZ2		0.70
7/8	UCPPL205-14MZ2C	UCPPL205-14MZ2CE	123.10	1-7/16	5-1/2	3-61/64	4-19/64	1-1/2	7/16	35/64	37/64	2-3/4	2-41/64	1.339	3/8	UC205-14MZ2	PPL205	0.89
1	UCPPL205-16MZ2C	UCPPL205-16MZ2CE														UC205-16MZ2		0.81
1-1/8	UCPPL206-18MZ2C	UCPPL206-18MZ2CE														UC206-18MZ2		1.31
1-3/16	UCPPL206-19MZ2C	UCPPL206-19MZ2CE	142.10	1-11/16	6-3/8	4-15/32	4-29/32	1-13/16	35/64	23/32	45/64	3-19/64	3-3/32	1.500	1/2	UC206-19MZ2	PPL206	1.25
1-1/4	UCPPL206-20MZ2C	UCPPL206-20MZ2CE														UC206-20MZ2		1.21
1-1/4	UCPPL207-20MZ2C	UCPPL207-20MZ2CE														UC207-20MZ2		1.91
1-3/8	UCPPL207-22MZ2C	UCPPL207-22MZ2CE	163.40	1-7/8	6-39/64	4-25/32	5-7/32	1-7/8	35/64	23/32	23/32	3-23/32	3-7/16	1.689	1/2	UC207-22MZ2	PPL207	1.79
1-7/16	UCPPL207-23MZ2C	UCPPL207-23MZ2CE														UC207-23MZ2		1.71
1-1/2	UCPPL208-24MZ2C	UCPPL208-24MZ2CE	199.80	1-15/16	7-1/4	5-5/32	5-19/32	2-1/8	35/64	23/32	25/32	3-57/64	4-1/16	1.937	1/2	UC208-24MZ2	PPL208	2.42
Dimensions (mm)																		
20	UCPPL204MZ2C	UCPPL204MZ2CE	113.70	33.3	127	91	99	38	11	14	14.2	65.5	62.6	31	M10	UC204MZ2	PPL204	0.68
25	UCPPL205MZ2C	UCPPL205MZ2CE	123.10	36.5	140	101	109	38	11	14	14.5	71.0	67.0	34	M10	UC205MZ2	PPL205	0.83
30	UCPPL206MZ2C	UCPPL206MZ2CE	142.10	42.9	162	113	125	46	14	18	17.8	83.7	78.6	38.1	M12	UC206MZ2	PPL206	1.25
35	UCPPL207MZ2C	UCPPL207MZ2CE	163.40	47.6	168	121	133	48	14	18	18	94.5	87.5	42.9	M12	UC207MZ2	PPL207	1.79
40	UCPPL208MZ2C	UCPPL208MZ2CE	199.80	49.2	184	131	143	54	14	18	19.8	98.5	103.3	49.2	M12	UC208MZ2	PPL208	2.32
45	UCPPL209MZ2C	UCPPL209MZ2CE	217.45	54.0	192	142	150	54	17	20	23	106.0	109.3	49.2	M16	UC209MZ2	PPL209	2.56
50	UCPPL210MZ2C	UCPPL210MZ2CE	258.75	57.2	206	155	163	60	17	20	23	114.0	120.8	51.6	M16	UC210MZ2	PPL210	3.07

NOTE: For Thermoplastic units please specify one of the following suffixes after the part number: "W" for a white housing or "B" for a black housing. For Shur-Seal units please specify one of the following suffixes after the size: "C" for 2 open covers or "CE" for 1 closed cover and 1 open cover.

(Example: UCPPL205-16MZ2CW = White Pillow Block with 2 open covers)

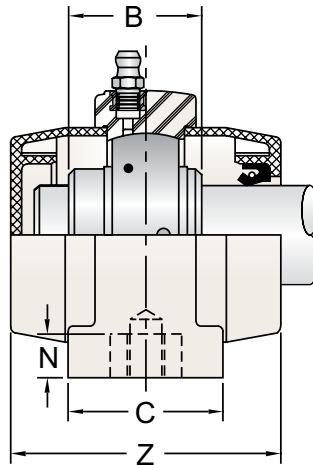
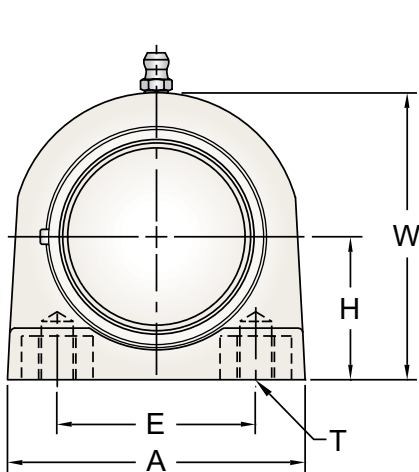
Lubrication fitting Tap Size 1/4-28 UNF

INTERCHANGES:	CPS-Z216ECC	CPS-Z216ECO	P2B-SCEZ-100PCRECC	P2B-SCEZ-100PCRECO	CPB100ZMEC
---------------	-------------	-------------	--------------------	--------------------	------------

# TAPPED BASE PILLOW BLOCK UNITS WITH COVERS

Stainless Insert detail-pg. 82 • RF Patent Seal-pg. 90

# MUCTBL 200C(CE)



SHUR-SEAL

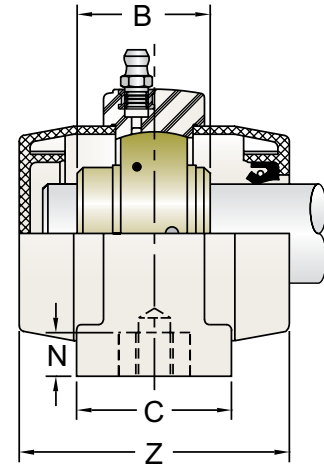
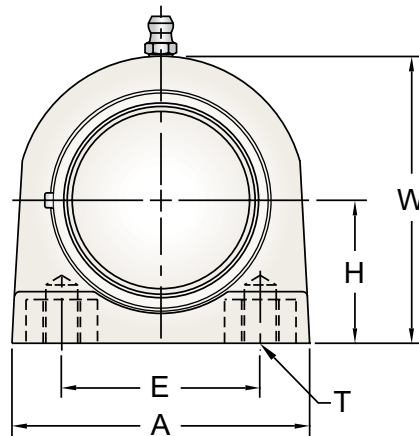
Shaft Dia. (in.)	AMI Unit #		List Price	Dimensions (in.)								Bolt Holes (UNC Thread) T	Bearing #	Housing #	Weight (lb.)
	2 Open Covers	1 Open Cover and 1 Closed Cover		H	A	E	C	N	W	Z	B				
1/2	MUCTBL201-8C	MUCTBL201-8CE	268.55	1-5/16	2-7/8	2	1-23/64	7/16	2-19/32	2-33/64	1.220	3/8-16	MUC201-8	TBL204	0.73
3/4	MUCTBL204-12C	MUCTBL204-12CE											MUC204-12		0.62
7/8	MUCTBL205-14C	MUCTBL205-14CE	289.05	1-7/16	3	2	1-9/16	7/16	2-57/64	2-43/64	1.339	3/8-16	MUC205-14	TBL205	0.85
15/16	MUCTBL205-15C	MUCTBL205-15CE	325.55										MUC205-15		0.81
1	MUCTBL205-16C	MUCTBL205-16CE	289.05	1-11/16	4	3	1-43/64	7/16	3-5/16	3-9/64	1.500	7/16-14	MUC205-16	TBL206	0.77
1-1/8	MUCTBL206-18C	MUCTBL206-18CE	323.25										MUC206-18		1.23
1-3/16	MUCTBL206-19C	MUCTBL206-19CE	323.25	1-7/8	4-3/8	3-1/4	1-7/8	5/8	3-3/4	3-27/64	1.689	1/2-13	MUC206-19	TBL207	1.17
1-1/4	MUCTBL206-20C	MUCTBL206-20CE											MUC206-20		1.11
1-1/4	MUCTBL207-20C	MUCTBL207-20CE	394.50	1-7/8	4-3/8	3-1/4	1-7/8	5/8	3-3/4	3-27/64	1.689	1/2-13	MUC207-20	TBL207	1.84
1-3/8	MUCTBL207-22C	MUCTBL207-22CE											MUC207-22		1.72
1-7/16	MUCTBL207-23C	MUCTBL207-23CE	414.70	1-15/16	4-23/32	3-1/2	1-7/8	5/8	3-61/64	4-1/32	1.937	1/2-13	MUC207-23	TBL208	1.66
1-1/2	MUCTBL208-24C	MUCTBL208-24CE											MUC208-24		2.22
Dimensions (mm)															
20	MUCTBL204C	MUCTBL204CE	268.55	33.3	73	50.8	34.5	11.1	66	63.8	31	3/8-16	MUC204	TBL204	0.62
25	MUCTBL205C	MUCTBL205CE	289.05	36.5	76.2	50.8	39.7	11.1	73.4	67.8	34	3/8-16	MUC205	TBL205	0.79
30	MUCTBL206C	MUCTBL206CE	323.25	42.9	101.6	76.2	42.5	11.1	84	79.8	38.1	7/16-14	MUC206	TBL206	1.17
35	MUCTBL207C	MUCTBL207CE	394.50	47.6	111	82.6	47.6	16.0	95	87.0	42.9	1/2-13	MUC207	TBL207	1.72
40	MUCTBL208C	MUCTBL208CE	414.70	49.2	120	88.9	47.6	16.0	100.4	102	49.2		MUC208	TBL208	2.14
45	MUCTBL209C	MUCTBL209CE	507.70	54.0	124	95.3	50	19.0	108.5	109	49.2		MUC209	TBL209	2.36

NOTE: For Thermoplastic units please specify one of the following suffixes after the part number: "W" for a white housing or "B" for a black housing. For Shur-Seal units please specify one of the following suffixes after the size: "C" for 2 open covers or "CE" for 1 closed cover and 1 open cover.

(Example: MUCTBL205-16CW = White Tapped Base Pillow Block with 2 open covers)

Lubrication fitting Tap Size 1/4-28 UNF

INTERCHANGES:	CTBS-S216ECC	CTBS-S216ECO	TPB250CTWx1CPCC	TPB250CTWx1CPOC	CRTBC-PW16ECC	CRTBC-PW16ECO
---------------	--------------	--------------	-----------------	-----------------	---------------	---------------



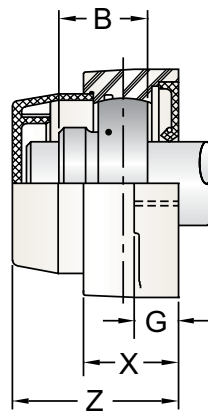
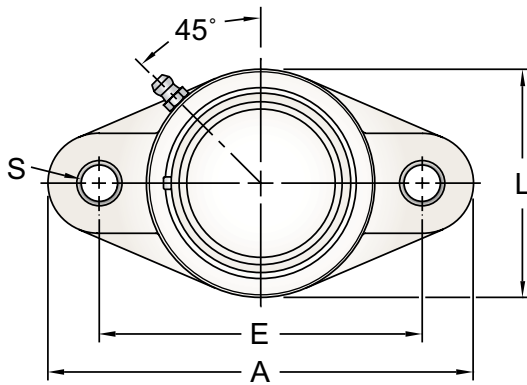
SHUR-SEAL

Shaft Dia. (in.)	AMI Unit #		List Price	Dimensions (in.)								Bolt Holes (UNC Thread) T	Bearing #	Housing #	Weight (lb.)	
	2 Open Covers	1 Open Cover and 1 Closed Cover		H	A	E	C	N	W	Z	B					
1/2	UCTBL201-8MZ2C	UCTBL201-8MZ2CE	148.70	1-5/16	2-7/8	2	1-23/64	7/16	2-19/32	2-33/64	1.220	3/8-16	UC201-8MZ2	TBL204	0.73	
3/4	UCTBL204-12MZ2C	UCTBL204-12MZ2CE														0.64
7/8	UCTBL205-14MZ2C	UCTBL205-14MZ2CE	169.90	1-7/16	3	2	1-9/16	7/16	2-57/64	2-43/64	1.339	3/8-16	UC205-14MZ2	TBL205	0.87	
1	UCTBL205-16MZ2C	UCTBL205-16MZ2CE														0.79
1-1/8	UCTBL206-18MZ2C	UCTBL206-18MZ2CE	209.20	1-11/16	4	3	1-43/64	7/16	3-5/16	3-9/64	1.500	7/16-14	UC206-18MZ2	TBL206	1.25	
1-3/16	UCTBL206-19MZ2C	UCTBL206-19MZ2CE														1.19
1-1/4	UCTBL206-20MZ2C	UCTBL206-20MZ2CE														1.15
1-1/4	UCTBL207-20MZ2C	UCTBL207-20MZ2CE	212.45	1-7/8	4-3/8	3-1/4	1-7/8	5/8	3-3/4	3-27/64	1.689	1/2-13	UC207-20MZ2	TBL207	1.88	
1-3/8	UCTBL207-22MZ2C	UCTBL207-22MZ2CE														1.76
1-7/16	UCTBL207-23MZ2C	UCTBL207-23MZ2CE														1.68
1-1/2	UCTBL208-24MZ2C	UCTBL208-24MZ2CE														225.10
				Dimensions (mm)												
20	UCTBL204MZ2C	UCTBL204MZ2CE	148.70	33.3	73	50.8	34.5	11.1	66	63.8	31.0	3/8-16	UC204MZ2	TBL204	0.62	
25	UCTBL205MZ2C	UCTBL205MZ2CE	169.90	36.5	76.2	50.8	39.7	11.1	73.4	67.8	34.0	3/8-16	UC205MZ2	TBL205	0.81	
30	UCTBL206MZ2C	UCTBL206MZ2CE	209.20	42.9	101.6	76.2	42.5	11.1	84	79.8	38.1	7/16-14	UC206MZ2	TBL206	1.19	
35	UCTBL207MZ2C	UCTBL207MZ2CE	212.45	47.6	111	82.6	47.6	16.0	95	87.0	42.9		UC207MZ2	TBL207	1.76	
40	UCTBL208MZ2C	UCTBL208MZ2CE	225.10	49.2	120	88.9	47.6	16.0	100.4	102	49.2	1/2-13	UC208MZ2	TBL208	2.18	
45	UCTBL209MZ2C	UCTBL209MZ2CE	291.10	54.0	124	95.3	50	19.0	108.5	109	49.2		UC209MZ2	TBL209	2.42	

NOTE: For Thermoplastic units please specify one of the following suffixes after the part number: "W" for a white housing or "B" for a black housing. For Shur-Seal units please specify one of the following suffixes after the size: "C" for 2 open covers or "CE" for 1 closed cover and 1 open cover. (Example: UCTBL205-16MZ2CW = White Tapped Base Pillow Block with 2 open covers)

Lubrication fitting Tap Size 1/4-28 UNF

INTERCHANGES:	CTBS-Z216ECC	CTBS-Z216ECO	TB-SCEZ-100PCRECC	TB-SCEZ-100PCRECO
---------------	--------------	--------------	-------------------	-------------------

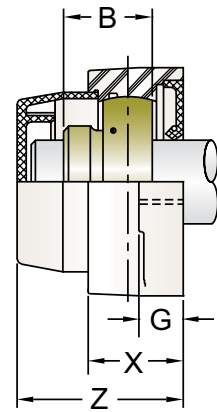
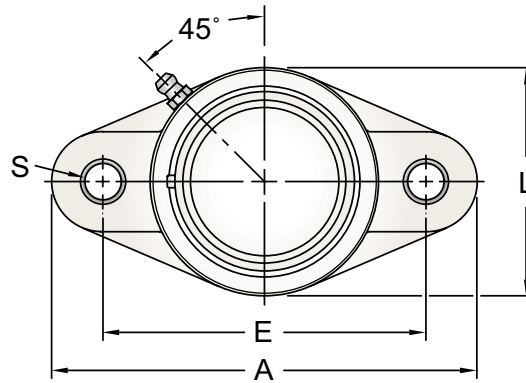


Shaft Dia. (in.)	AMI Unit #		List Price	Dimensions (in.)								Bolt Size (in.)	Bearing #	Housing #	Weight (lb.)
	1 Open Cover with Back Seal	1 Closed Cover with Back Seal		A	E	G	X	S	L	Z	B				
3/4	MBNFL4-12C	MBNFL4-12CE	219.00	4-7/16	3-35/64	29/64	1-3/64	7/16	2-1/2	1-53/64	0.972	3/8	MB4-12	NFL204	0.52
1	MBNFL5-16C	MBNFL5-16CE	239.80	5-1/8	3-57/64	17/32	1-9/64	7/16	2-3/4	1-31/32	1.063		MB5-16	NFL205	0.67
1-1/4	MBNFL6-20C	MBNFL6-20CE	261.50	5-13/16	4-39/64	33/64	1-13/64	7/16	3-5/32	2-7/32	1.193		MB6-20	NFL206	0.90
Dimensions (mm)															
20	MBNFL4C	MBNFL4CE	219.00	112.7	90	11.4	26.5	11	63.5	46.5	24.7	M10	MB4	NFL204	0.51
25	MBNFL5C	MBNFL5CE	239.80	130	99	13.5	29.1	11	69.9	50.1	27		MB5	NFL205	0.67
30	MBNFL6C	MBNFL6CE	261.50	148	117	13.3	30.5	11	80	56.5	30.3		MB6	NFL206	0.94
35	MBNFL7C	MBNFL7CE	381.00	164	130	16.1	32.8	13	90	60.3	32.9	M12	MB7	NFL207	1.34
40	MBNFL8C	MBNFL8CE	404.10	174.6	144	20	37.5	14	100	71.0	35.5		MB8	NFL208	1.79

NOTE: For Thermoplastic units please specify one of the following suffixes after the part number: "W" for a white housing or "B" for a black housing. For Shur-Seal Flange units please specify one of the following suffixes after the size: "C" for 1 open cover or "CE" for 1 closed cover. (Example: MBNFL5-16CW = White Two-Bolt Flange with 1 open cover and Back Seal)  
Lubrication fitting Tap Size 1/4-28 UNF

INTERCHANGES:	CF25-S216ECC	CF25-S216ECO	FB250CTWx1CPCC	FB250CTWx1CPOC	C2F100SSEC
---------------	--------------	--------------	----------------	----------------	------------

SHUR-SEAL

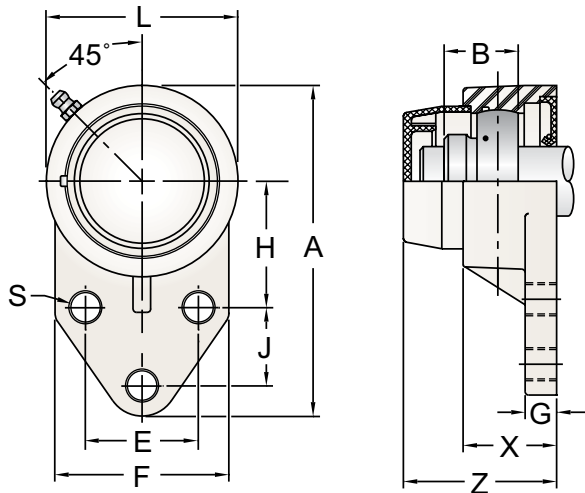


SHUR-SEAL

Shaft Dia. (in.)	AMI Unit #		List Price	Dimensions (in.)								Bolt Size (in.)	Bearing #	Housing #	Weight (lb.)
	1 Open Cover with Back Seal	1 Closed Cover with Back Seal		A	E	G	X	S	L	Z	B				
3/4	BNFL4-12MZ2C	BNFL4-12MZ2CE	113.70	4-7/16	3-35/64	29/64	1-3/64	7/16	2-1/2	1-53/64	0.972	3/8	B4-12MZ2	NFL204	0.56
1	BNFL5-16MZ2C	BNFL5-16MZ2CE	123.10	5-1/8	3-57/64	17/32	1-9/64	7/16	2-3/4	1-31/32	1.063		B5-16MZ2	NFL205	0.67
1-1/8	BNFL6-18MZ2C	BNFL6-18MZ2CE	142.10	5-13/16	4-39/64	33/64	1-13/64	7/16	3-5/32	2-7/32	1.193	3/8	B6-18MZ2		0.99
1-3/16	BNFL6-19MZ2C	BNFL6-19MZ2CE											B6-19MZ2	NFL206	0.94
1-1/4	BNFL6-20MZ2C	BNFL6-20MZ2CE											B6-20MZ2		0.90
1-1/4	BNFL7-20MZ2C	BNFL7-20MZ2CE											B7-20MZ2		1.47
1-3/8	BNFL7-22MZ2C	BNFL7-22MZ2CE	163.40	6-7/16	5-1/8	41/64	1-19/64	33/64	3-35/64	2-3/8	1.295	1/2	B7-22MZ2	NFL207	1.36
1-7/16	BNFL7-23MZ2C	BNFL7-23MZ2CE											B7-23MZ2		1.32
1-1/2	BNFL8-24MZ2C	BNFL8-24MZ2CE	199.75	6-7/8	5-43/64	25/32	1-31/64	35/64	3-15/16	2-51/64	1.397	1/2	B8-24MZ2	NFL208	1.88

NOTE: For Thermoplastic units please specify one of the following suffixes after the part number: "W" for a white housing or "B" for a black housing. For Shur-Seal Flange units please specify one of the following suffixes after the size: "C" for 1 open cover or "CE" for 1 closed cover. (Example: BNFL5-16MZ2CW = White Two-Bolt Flange with 1 open cover and Back Seal)  
Lubrication fitting Tap Size 1/4-28 UNF

<b>INTERCHANGES:</b>	<b>CF2S-Z216ECC</b>	<b>CF2S-Z216ECO</b>	<b>F2B-SCEZ-100PCRECC</b>	<b>F2B-SCEZ-100PCRECO</b>	
	<b>KFX-S216DC</b>	<b>KFX-S216D</b>	<b>C2F100ZMEC</b>	<b>CRFTC-PW16ECC</b>	<b>CRFTC-PW16ECO</b>

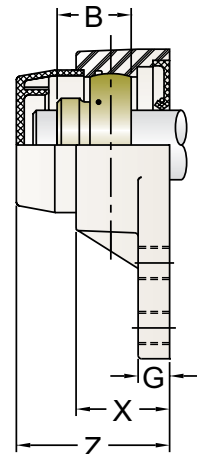
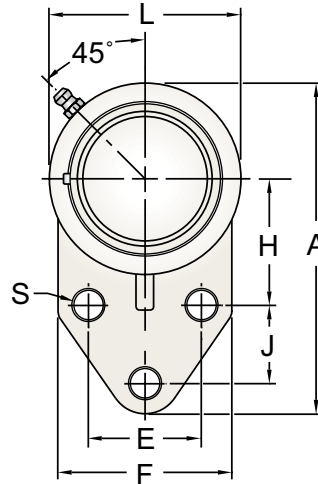


Shaft Dia. (in.)	AMI Unit #		List Price	Dimensions (in.)											Bolt Size (in.)	Bearing #	Housing #	Weight (lb.)
	1 Open Cover with Back Seal	1 Closed Cover with Back Seal		A	H	E	J	G	X	S	L	F	Z	B				
3/4	MBFBL4-12C	MBFBL4-12CE	208.70	4-1/4	1-11/16	1-1/2	7/8	29/64	1	27/64	2-1/2	2-7/16	1-25/32	0.972		MB4-12	FBL204	0.56
1	MBFBL5-16C	MBFBL5-16CE	261.80	4-3/4	1-13/16	1-5/8	1-1/8	29/64	1-11/32	27/64	2-3/4	2-1/2	2-11/64	1.063	3/8	MB5-16	FBL205	0.69
1-1/4	MBFBL6-20C	MBFBL6-20CE	265.60	5-29/64	2-1/16	1-7/8	1-1/4	33/64	1-1/4	27/64	3-1/4	3	2-9/32	1.193		MB6-20	FBL206	1.00
Dimensions (mm)																		
20	MBFBL4C	MBFBL4CE	208.70	108	42.9	38.1	22.2	11.4	25.4	10.7	63.5	62	45.4	24.7		MB4	FBL204	0.52
25	MBFBL5C	MBFBL5CE	261.80	120.6	46	41.3	28.6	11.4	34	10.7	70	63.5	55.1	27	M10	MB5	FBL205	0.69
30	MBFBL6C	MBFBL6CE	265.60	138.5	52.4	47.6	31.8	13.3	31.8	10.7	83	76	57.8	30.3		MB6	FBL206	1.04
35	MBFBL7C	MBFBL7CE	296.00	157	60.3	50.8	31.8	16.1	36.5	13.1	95	89	64.0	32.9	M12	MB7	FBL207	1.50

NOTE: For Thermoplastic units please specify one of the following suffixes after the part number: "W" for a white housing or "B" for a black housing. For Shur-Seal Flange units please specify one of the following suffixes after the size: "C" for 1 open cover or "CE" for 1 closed cover. (Example: MBFBL5-16CW = White Three-Bolt Flange with 1 open cover and Back Seal)  
Lubrication fitting Tap Size 1/4-28 UNF

INTERCHANGES: AMI EXCLUSIVE

SHUR-SEAL



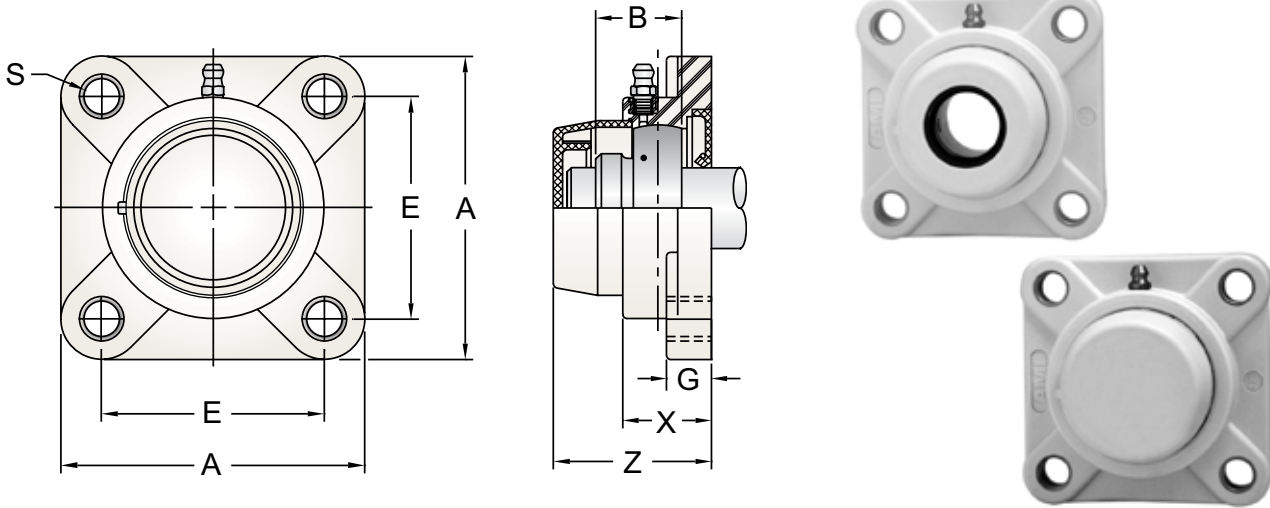
**SHUR-SEAL**

Shaft Dia. (in.)	AMI Unit #		List Price	Dimensions (in.)											Bolt Size (in.)	Bearing #	Housing #	Weight (lb.)
	1 Open Cover with Back Seal	1 Closed Cover with Back Seal		A	H	E	J	G	X	S	L	F	Z	B				
3/4	BFBL4-12MZ2C	BFBL4-12MZ2CE	112.60	4-1/4	1-11/16	1-1/2	7/8	29/64	1	27/64	2-1/2	2-7/16	1-25/32	0.972	3/8	B4-12MZ2	FBL204	0.58
1	BFBL5-16MZ2C	BFBL5-16MZ2CE	123.60	4-3/4	1-13/16	1-5/8	1-1/8	29/64	1-11/32	27/64	2-3/4	2-1/2	2-11/64	1.063	3/8	B5-16MZ2	FBL205	0.69
1-1/8	BFBL6-18MZ2C	BFBL6-18MZ2CE	130.35	5-29/64	2-1/16	1-7/8	1-1/4	33/64	1-1/4	27/64	3-1/4	3	2-9/32	1.193	3/8	B6-18MZ2	FBL206	1.09
1-3/16	BFBL6-19MZ2C	BFBL6-19MZ2CE														B6-19MZ2		1.04
1-1/4	BFBL6-20MZ2C	BFBL6-20MZ2CE														B6-20MZ2		1.00
1-1/4	BFBL7-20MZ2C	BFBL7-20MZ2CE	157.45	6-3/16	2-3/8	2	1-1/4	41/64	1-7/16	33/64	3-3/4	3-1/2	2-33/64	1.296	1/2	B7-20MZ2	FBL207	1.63
1-3/8	BFBL7-22MZ2C	BFBL7-22MZ2CE														B7-22MZ2		1.52
1-7/16	BFBL7-23MZ2C	BFBL7-23MZ2CE														B7-23MZ2		1.48

NOTE: For Thermoplastic units please specify one of the following suffixes after the part number: "W" for a white housing or "B" for a black housing. For Shur-Seal Flange units please specify one of the following suffixes after the size: "C" for 1 open cover or "CE" for 1 closed cover. (Example: BFBL5-16MZ2CW = White Three-Bolt Flange with 1 open cover and Back Seal)  
Lubrication fitting Tap Size 1/4-28 UNF

**INTERCHANGES: FB-SCEZ-100PCRECC FB-SCEZ-100PCRECO**



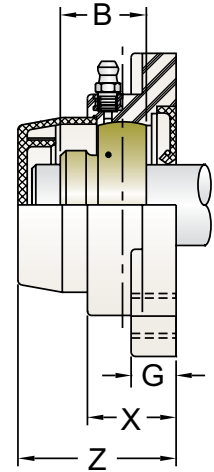
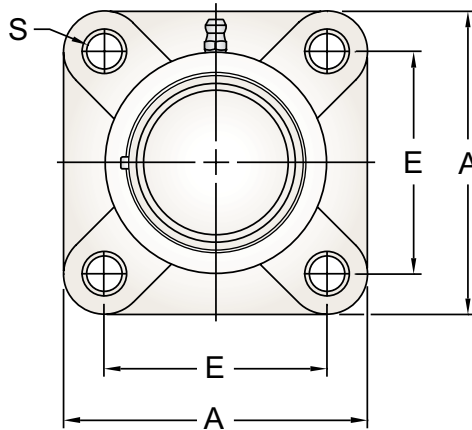


Shaft Dia. (in.)	AMI Unit #		List Price	Dimensions (in.)							Bolt Size (in.)	Bearing #	Housing #	Weight (lb.)
	1 Open Cover with Back Seal	1 Closed Cover with Back Seal		A	E	G	X	S	Z	B				
3/4	MBFPL4-12C	MBFPL4-12CE	219.00	3-3/8	2-1/2	17/32	1-3/32	7/16	1-7/8	0.972	3/8	MB4-12	FPL204	0.66
1	MBFPL5-16C	MBFPL5-16CE	239.80	3-3/4	2-3/4	9/16	1-7/64	7/16	1-59/64	1.063		MB5-16	FPL205	0.77
1-1/4	MBFPL6-20C	MBFPL6-20CE	261.50	4-1/4	3-1/4	9/16	1-1/4	7/16	2-9/32	1.193		MB6-20	FPL206	1.06
Dimensions (mm)														
20	MBFPL4C	MBFPL4CE	219.00	86	63.5	13.4	27.8	11	47.8	24.7	M10	MB4	FPL204	0.63
25	MBFPL5C	MBFPL5CE	239.80	95	70	14.3	28.0	11	49.0	27.0		MB5	FPL205	0.77
30	MBFPL6C	MBFPL6CE	261.50	108	83	14.3	31.7	11	57.8	30.3		MB6	FPL206	1.10
35	MBFPL7C	MBFPL7CE	381.00	118	92	15.5	34.8	13	62.3	32.9	M12	MB7	FPL207	1.56
40	MBFPL8C	MBFPL8CE	404.10	130	102	17.0	37.5	14	71.0	35.5		MB8	FPL208	2.03

NOTE: For Thermoplastic units please specify one of the following suffixes after the part number: "W" for a white housing or "B" for a black housing. For Shur-Seal Flange units please specify one of the following suffixes after the size: "C" for 1 open cover or "CE" for 1 closed cover. (Example: MBFPL5-16CW = White Four-Bolt Flange with 1 open cover and Back Seal)  
Lubrication fitting Tap Size 1/4-28 UNF

<b>INTERCHANGES:</b>	<b>C4FS-S216ECC</b>	<b>C4FS-S216ECO</b>	<b>FB250CTWx1CPCC</b>	<b>FB250CTWx1CPOC</b>	<b>C4F100SSEC</b>
----------------------	---------------------	---------------------	-----------------------	-----------------------	-------------------

SHUR-SEAL



Shaft Dia. (in.)	AMI Unit #		List Price	Dimensions (in.)							Bolt Size (in.)	Bearing #	Housing #	Weight (lb.)
	1 Open Cover with Back Seal	1 Closed Cover with Back Seal		A	E	G	X	S	Z	B				
3/4	BFPL4-12MZ2C	BFPL4-12MZ2CE	113.70	3-3/8	2-1/2	17/32	1-3/32	7/16	1-7/8	0.972	3/8	B4-12MZ2	FPL204	0.68
	BFPL5-16MZ2C	BFPL5-16MZ2CE	123.10	3-3/4	2-3/4	9/16	1-7/64	7/16	1-59/64	1.063		B5-16MZ2	FPL205	0.77
1-1/8	BFPL6-18MZ2C	BFPL6-18MZ2CE	142.10	4-1/4	3-1/4	9/16	1-1/4	7/16	2-9/32	1.193	3/8	B6-18MZ2	FPL206	1.15
1-3/16	BFPL6-19MZ2C	BFPL6-19MZ2CE										B6-19MZ2		1.10
1-1/4	BFPL6-20MZ2C	BFPL6-20MZ2CE										B6-20MZ2		1.06
1-1/4	BFPL7-20MZ2C	BFPL7-20MZ2CE	163.35	4-5/8	3-5/8	39/64	1-3/8	33/64	2-29/64	1.295	1/2	B7-20MZ2	FPL207	1.69
1-3/8	BFPL7-22MZ2C	BFPL7-22MZ2CE										B7-22MZ2		1.58
1-7/16	BFPL7-23MZ2C	BFPL7-23MZ2CE										B7-23MZ2		1.54
1-1/2	BFPL8-24MZ2C	BFPL8-24MZ2CE	199.75	5-1/8	4	43/64	1-15/32	35/64	2-51/64	1.397	1/2	B8-24MZ2	FPL208	2.12

NOTE: For Thermoplastic units please specify one of the following suffixes after the part number: "W" for a white housing or "B" for a black housing.

For Shur-Seal Flange units please specify one of the following suffixes after the size: "C" for 1 open cover or "CE" for 1 closed cover.

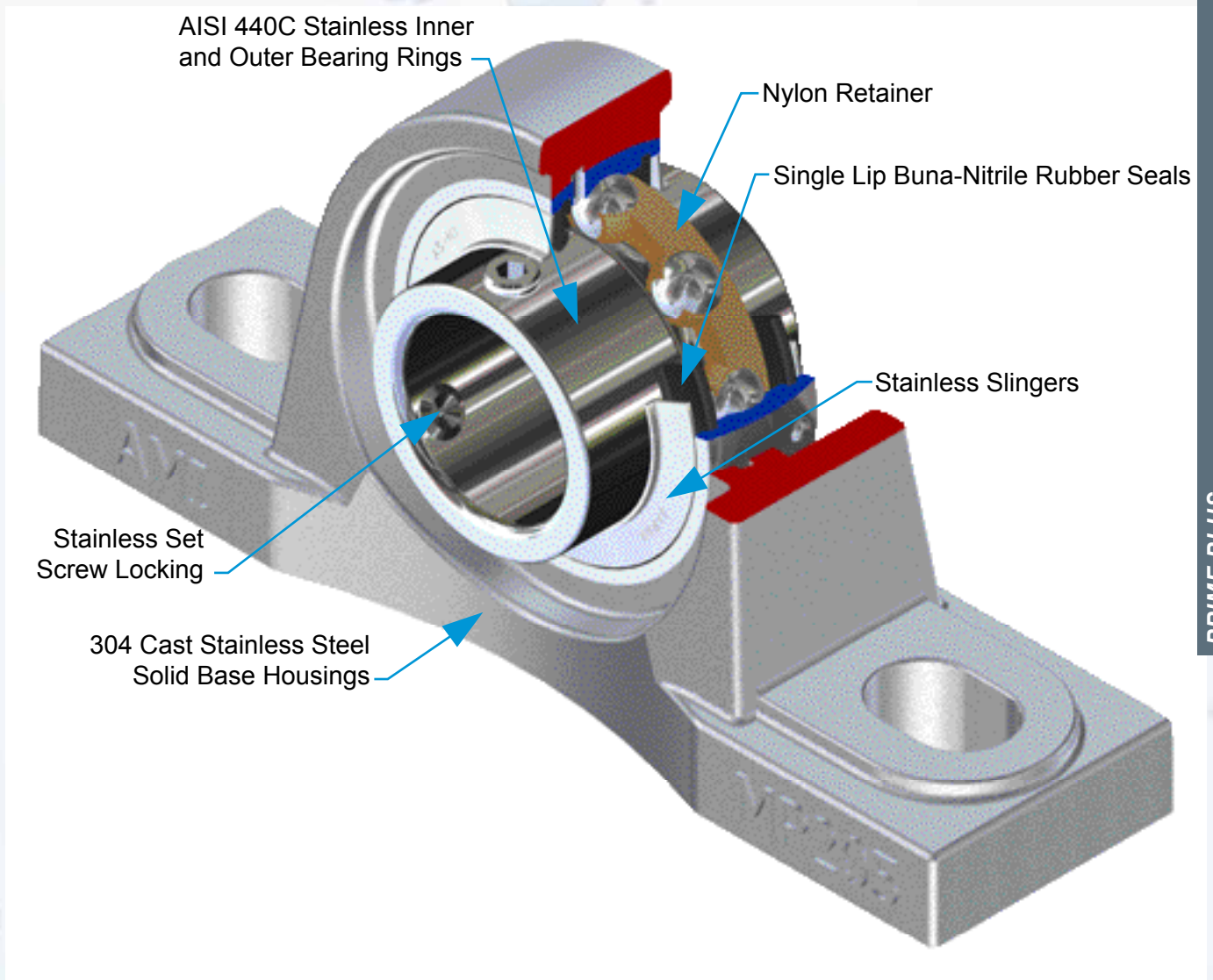
(Example: BFPL5-16MZ2CW = White Four-Bolt Flange with 1 open cover and Back Seal)

Lubrication fitting Tap Size 1/4-28 UNF

<b>INTERCHANGES:</b>	<b>C4FS-Z216ECC</b>	<b>C4FS-Z216ECO</b>	<b>F4B-SCEZ-100PCRECC</b>	<b>F4B-SCEZ-100PCRECO</b>
	<b>KF-S216DC</b>	<b>KF-S216D</b>	<b>CRFC-PW16ECC</b>	<b>CRFC-PW16ECO</b>

# PRIME PLUS SERIES

(Stainless Steel Insert in Stainless Steel Housing)



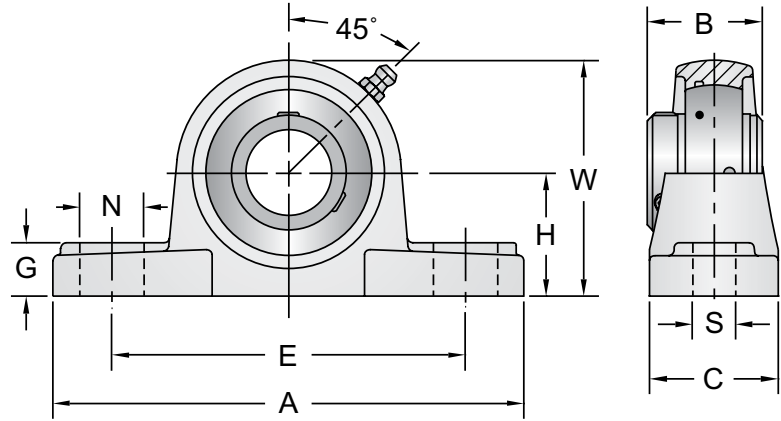
PRIME PLUS

Bore Size Range Availability: 1/2" to 2-1/2" and 15mm to 65mm

MUCP205-16



Normal Duty • Wide Inner Ring • 0°F ~ 212°F • H1 Approved Food Grade Grease



PRIME PLUS

Shaft Dia. (in.)	AMI Unit #	List Price	Dimensions (in.)										Bolt Size (in.)	Bearing #	Housing #	Weight (lb.)	
			H	A	E		C	S	N	G	W	B					
					Min.	Max.											
1/2	MUCP201-8	292.05	1-5/16	5	3-3/8	4-1/8	1-1/2	1/2	3/4	19/32	2-9/16	1.220	3/8	MUC201-8	MP204	1.80	
5/8	MUCP202-10													MUC202-10		1.76	
3/4	MUCP204-12													MUC204-12		1.70	
7/8	MUCP205-14	315.75	1-7/16	5-1/2	3-3/4	4-1/2	1-1/2	1/2	3/4	5/8	2-3/4	1.339	3/8	MUC205-14	MP205	1.98	
15/16	MUCP205-15	341.75												MUC205-15		1.94	
1	MUCP205-16	315.75												MUC205-16		1.90	
1-1/8	MUCP206-18	377.20	1-11/16	6-1/2	4-7/16	5-1/16	1-7/8	21/32	13/16	23/32	3-9/32	1.500	1/2	MUC206-18	MP206	3.06	
1-3/16	MUCP206-19													MUC206-19		3.02	
1-1/4	MUCP206-20													MUC206-20		2.96	
1-1/4	MUCP207-20	491.45	1-7/8	6-9/16	4-11/16	5-5/16	1-7/8	21/32	13/16	3/4	3-11/16	1.689	1/2	MUC207-20	MP207	4.12	
1-5/16	MUCP207-21	502.05												MUC207-21		4.06	
1-3/8	MUCP207-22	491.45												MUC207-22		4.00	
1-7/16	MUCP207-23	491.45												MUC207-23		3.94	
1-1/2	MUCP208-24	564.90	1-15/16	7-1/4	4-7/8	5-7/8	2-1/8	21/32	1	3/4	3-15/16	1.937	1/2	MUC208-24	MP208	5.10	
1-11/16	MUCP209-27	612.55	2-1/8	7-1/2	5-3/8	6-1/8	2-1/8	21/32	7/8	25/32	4-1/4	1.937	1/2	MUC209-27	MP209	5.82	
1-3/4	MUCP209-28													MUC209-28		5.72	
1-7/8	MUCP210-30	678.05	2-1/4	8-1/8	5-7/8	6-5/8	2-3/8	25/32	1	7/8	4-1/2	2.031	5/8	MUC210-30	MP210	7.18	
1-15/16	MUCP210-31													MUC210-31		7.08	
2	MUCP210-32													MUC210-32		6.96	
2	MUCP211-32	835.00	2-1/2	8-5/8	6-3/8	7-1/8	2-3/8	25/32	1	7/8	4-31/32	2.189	5/8	MUC211-32	MP211	8.82	
2-3/16	MUCP211-35													MUC211-35		8.46	
2-7/16	MUCP212-39	982.75	2-3/4	9-1/2	6-7/8	7-5/8	2-3/4	25/32	1	1	5-7/16	2.563	5/8	MUC212-39	MP212	11.40	
2-1/2	MUCP213-40	1315.95	3	10-7/16	7-19/32	8-13/32	2-3/4	1	1-5/32	1-1/16	5-29/32	2.563	3/4	MUC213-40	MP213	14.14	
Dimensions (mm)																	
12	MUCP201	292.05	33.3	127	86	105	38	13	19	15	65	31	M10	MUC201	MP204	1.80	
15	MUCP202													MUC202		1.76	
17	MUCP203													MUC203		1.74	
20	MUCP204	292.05	33.3	127	86	105	38	13	19	15	65	31	M10	MUC204	MP204	1.70	
25	MUCP205	315.75	36.5	140	95	114	38	13	19	16	70	34	M10	MUC205	MP205	1.92	
30	MUCP206	377.20	42.9	165	113	129	48	17	21	18	83	38.1	M14	MUC206	MP206	3.02	
35	MUCP207	491.45	47.6	167	119	135	48	17	21	19	94	42.9	M14	MUC207	MP207	4.00	
40	MUCP208	564.90	49.2	184	124	149	54	17	25	19	100	49.2		MUC208	MP208	5.02	
45	MUCP209	612.55	54.0	190	137	156	54	17	22	20	108	49.2		MUC209	MP209	5.70	
50	MUCP210	678.55	57.2	206	149	168	60	20	25	22	114	51.6	M16	MUC210	MP210	7.02	
55	MUCP211	835.00	63.5	219	162	181	60	20	25	22	126	55.6		MUC211	MP211	8.57	
60	MUCP212	982.75	69.8	241	175	194	70	20	25	25	138	65.1		MUC212	MP212	11.62	
65	MUCP213	1315.95	76.2	265	193	214	70	25	29	27	150	65.1		M20	MUC213	MP213	13.96

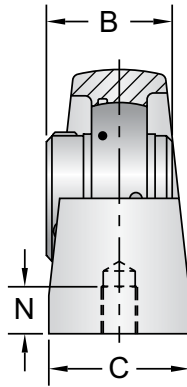
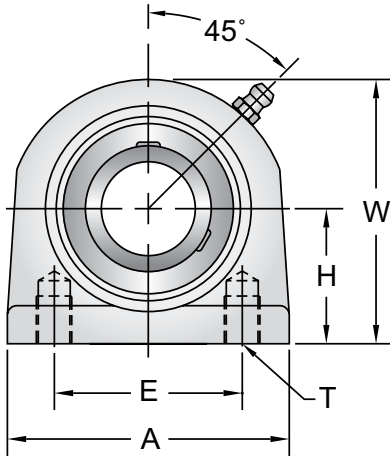
NOTE: Lubrication fitting Tap Size for 1" and smaller shaft sizes, 1/4-28 UNF; for all other sizes, 1/8-27 NPT

**INTERCHANGES:** SPS-S216    SUCSP205-16    SPB100SS

# TAPPED BASE PILLOW BLOCK UNITS

Stainless Insert detail-pg. 82 • RF Patent Seal-pg. 90

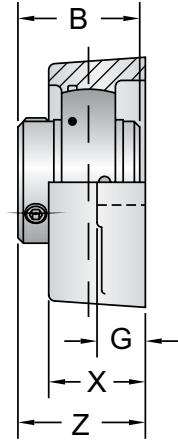
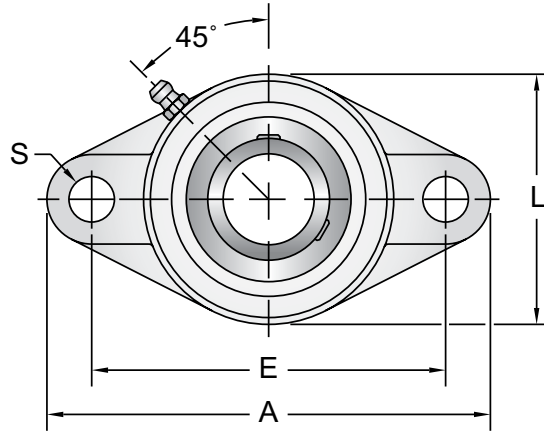
# MUCTB 200



Shaft Dia. (in.)	AMI Unit #	List Price	Dimensions (in.)							Bolt Holes (UNC Thread) T	Bearing #	Housing #	Weight (lb.)
			H	A	E	C	N	W	B				
1/2	MUCTB201-8	292.05	1-5/16	2-7/8	2	1-1/2	1/2	2-9/16	1.220	3/8-16	MUC201-8	MTB204	1.52
5/8	MUCTB202-10										MUC202-10		1.48
3/4	MUCTB204-12										MUC204-12		1.42
7/8	MUCTB205-14	315.75	1-7/16	3	2	1-1/2	1/2	2-13/16	1.339	3/8-16	MUC205-14	MTB205	1.68
15/16	MUCTB205-15	341.75									MUC205-15		1.64
1	MUCTB205-16	315.75									MUC205-16		1.60
1-1/8	MUCTB206-18	377.20	1-11/16	4	3	1-1/2	5/8	3-3/8	1.500	7/16-14	MUC206-18	MTB206	2.74
1-3/16	MUCTB206-19										MUC206-19		2.70
1-1/4	MUCTB206-20										MUC206-20		2.64
1-1/4	MUCTB207-20	491.45	1-7/8	4-1/4	3-1/4	1-7/8	3/4	3-3/4	1.689	1/2-13	MUC207-20	MTB207	3.86
1-5/16	MUCTB207-21	502.05									MUC207-21		3.80
1-3/8	MUCTB207-22	491.45									MUC207-22		3.74
1-7/16	MUCTB207-23	491.45									MUC207-23		3.68
1-1/2	MUCTB208-24	564.90									MUC208-24		4.10
Dimensions (mm)													
12	MUCTB201	292.05	33.3	73.0	50.8	38	12.5	65	31.0	3/8-16	MUC201	MTB204	1.52
15	MUCTB202										MUC202		1.48
17	MUCTB203										MUC203		1.46
20	MUCTB204	292.05	33.3	73.0	50.8	38	12.5	65	31.0	3/8-16	MUC204	MTB204	1.42
25	MUCTB205	315.75	36.5	76.2	50.8	38	12.5	71.4	34.0	3/8-16	MUC205	MTB205	1.62
30	MUCTB206	377.20	42.9	101.6	76.2	38	16.0	85.7	38.1	7/16-14	MUC206	MTB206	2.70
35	MUCTB207	491.45	47.6	108	82.5	47.6	19.0	95.3	42.9	1/2-13	MUC207	MTB207	3.74
40	MUCTB208	564.90	49.2	117.5	88.9	47.6	19.0	100.0	49.2		MUC208	MTB208	4.02

NOTE: Lubrication fitting Tap Size for 1" and smaller shaft sizes, 1/4-28 UNF; for all other sizes, 1/8-27 NPT

**INTERCHANGES: STBS-S216 SUCSPA205-16 STB100SS**

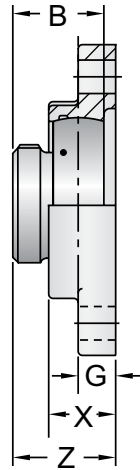
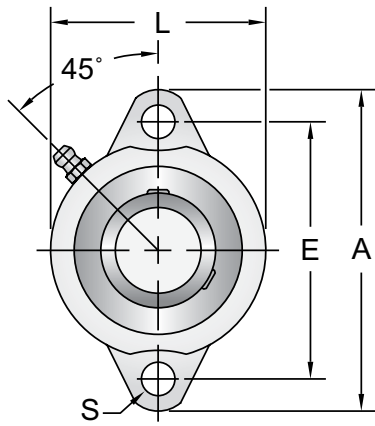


PRIME PLUS

Shaft Dia. (in.)	AMI Unit #	List Price	Dimensions (in.)								Bolt Size (in.)	Bearing #	Housing #	Weight (lb.)
			A	E	G	X	S	L	Z	B				
1/2	MUCFL201-8	292.05	4-13/32	3-17/32	7/16	31/32	13/32	2-3/8	1-9/32	1.220	3/8	MUC201-8	MFL204	1.10
5/8	MUCFL202-10											MUC202-10		1.06
3/4	MUCFL204-12											MUC204-12		1.00
7/8	MUCFL205-14	315.75	4-7/8	3-57/64	17/32	1-1/16	1/2	2-3/4	1-13/32	1.339	7/16	MUC205-14	MFL205	1.42
15/16	MUCFL205-15	MUC205-15										1.38		
1	MUCFL205-16	MUC205-16										1.34		
1-1/8	MUCFL206-18	377.20	5-9/16	4-19/32	17/32	1-3/16	12	3-1/4	1-37/64	1.500	7/16	MUC206-18	MFL206	1.94
1-3/16	MUCFL206-19											MUC206-19		1.90
1-1/4	MUCFL206-20											MUC206-20		1.84
1-1/4	MUCFL207-20	491.45	6-1/8	5-1/8	9/16	1-11/32	35/64	3-3/4	1-3/4	1.689	1/2	MUC207-20	MFL207	2.74
1-5/16	MUCFL207-21	MUC207-21										2.68		
1-3/8	MUCFL207-22	MUC207-22										2.62		
1-7/16	MUCFL207-23	491.45	6-3/4	5-21/32	9/16	1-1/2	35/64	4-1/8	2-1/64	1.937	1/2	MUC207-23	MFL208	2.56
1-1/2	MUCFL208-24	MUC208-24										3.54		
1-11/16	MUCFL209-27	612.55										7-1/16		5-27/32
1-3/4	MUCFL209-28		MUC209-28	4.00										
1-7/8	MUCFL210-30	678.05	7-7/16	6-3/16	9/16	1-9/16	5/8	4-9/16	2-5/32	2.031	9/16	MUC210-30	MFL210	4.86
1-15/16	MUCFL210-31											MUC210-31		4.76
2	MUCFL210-32											MUC210-32		4.64
Dimensions (mm)														
12	MUCFL201	292.05	112	89.7	11	25	10.5	60	32.6	31	M8	MUC201	MFL204	1.10
15	MUCFL202											MUC202		1.06
17	MUCFL203											MUC203		1.04
20	MUCFL204	292.05	112	89.7	11	25	10.5	60	32.6	31	M8	MUC204	MFL204	1.00
25	MUCFL205	315.75	124	98.8	13	27	12.5	70	35.6	34	M10	MUC205	MFL205	1.36
30	MUCFL206	377.20	141	116.7	13	30	12.5	83	40.1	38.1	M10	MUC206	MFL206	1.90
35	MUCFL207	491.45	156	130.2	14	34	14	95	44.5	42.9	M12	MUC207	MFL207	2.62
40	MUCFL208	564.90	171	143.7	14	38	14	105	51.2	49.2	M12	MUC208	MFL208	3.46
45	MUCFL209	612.55	179	148.4	14	40	16	111	52.0	49.2	M14	MUC209	MFL209	3.98
50	MUCFL210	678.05	189	157.2	14	40	16	116	54.8	51.6	M14	MUC210	MFL210	4.70

NOTE: Lubrication fitting Tap Size for 1" and smaller shaft sizes, 1/4-28 UNF; for all other sizes, 1/8-27 NPT

**INTERCHANGES:** SF2S-S216 SUCSFL205-16 S2F100SS

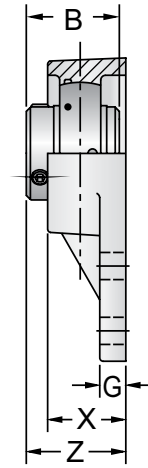
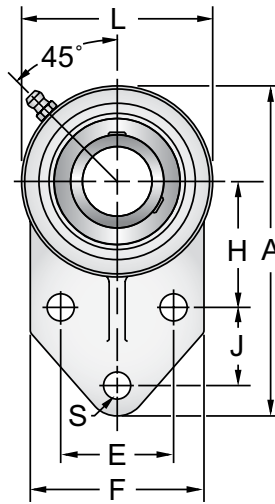


Shaft Dia. (in.)	AMI Unit #	List Price	Dimensions (in.)								Bolt Size (in.)	Bearing #	Housing #	Weight (lb.)	
			A	E	G	X	S	L	Z	B					
1/2	MBLFL1-8	226.20													
5/8	MBLFL2-10	226.20	3-3/16	2-1/2	3/8	23/32	9/32	2-3/16	1	0.866	1/4	MB1-8	MLFL3	0.54	
3/4	MBLFL4-12	233.25	3-9/16	2-13/16	7/16	25/32	25/64	2-15/32	1-1/8	0.972	5/16	MB4-12	MLFL4	0.68	
1	MBLFL5-16	247.60	3-3/4	3	7/16	25/32	25/64	2-23/32	1-13/64	1.063	5/16	MB5-16	MLFL5	0.74	
1-1/4	MBLFL6-20	270.75	4-7/16	3-9/16	15/32	7/8	15/32	3-3/32	1-11/32	1.193	3/8	MB6-20	MLFL6	1.12	
Dimensions (mm)															
20	MBLFL4	233.25	90	71.5	11	20	10	63	28.7	24.7	M8	MB4	MLFL4	0.66	
25	MBLFL5	247.60	95	76.2	11	20	10	69	30.5	27	M8	MB5	MLFL5	0.74	
30	MBLFL6	270.75	113	90.5	12	22.5	12	79	34.3	30.3	M10	MB6	MLFL6	1.16	

NOTE: Lubrication fitting Tap Size for 1" and smaller shaft sizes, 1/4-28 UNF; for all other sizes, 1/8-27 NPT

**INTERCHANGES: AMI EXCLUSIVE**

PRIME PLUS



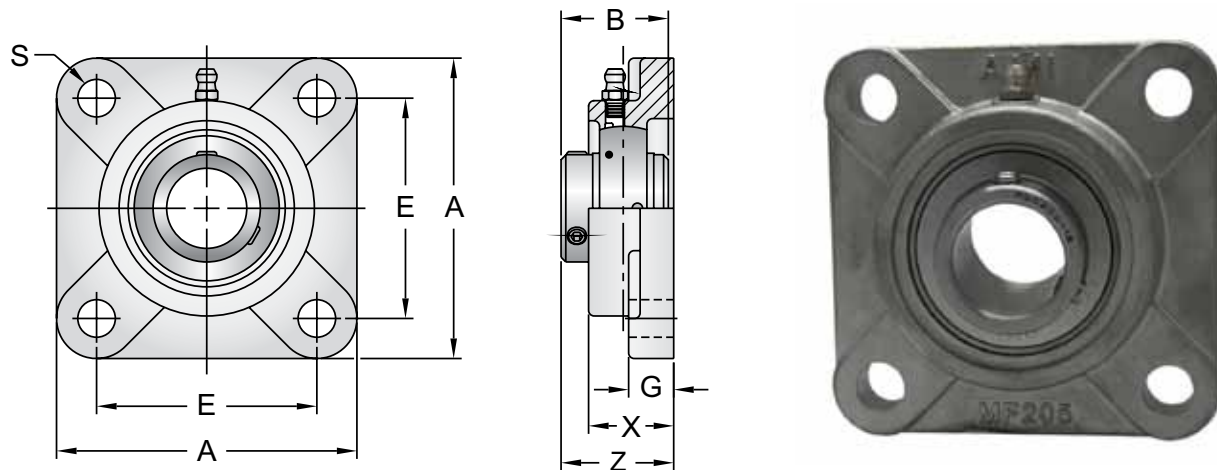
PRIME PLUS

Shaft Dia. (in.)	AMI Unit #	List Price	Dimensions (in.)											Bolt Size (in.)	Bearing #	Housing #	Weight (lb.)	
			A	H	E	J	G	X	S	L	F	Z	B					
1/2	MUCFB201-8	292.05	4-1/4	1-11/16	1-1/2	7/8	5/16	1	25/64	2-1/2	2-3/8	1-11/32	1.220	3/8	MUC201-8	MFB204	1.32	
5/8	MUCFB202-10														MUC202-10		1.28	
3/4	MUCFB204-12														MUC204-12		1.22	
7/8	MUCFB205-14	315.75	4-3/4	1-13/16	1-5/8	1-1/8	3/8	1-1/8	25/64	2-3/4	2-1/2	1-7/16	1.339	3/8	MUC205-14	MFB205	1.66	
15/16	MUCFB205-15	341.75													MUC205-15		1.62	
1	MUCFB205-16	315.75													MUC205-16		1.58	
1-1/8	MUCFB206-18	377.20	5-3/8	2-1/16	1-7/8	1-1/4	3/8	1-1/4	25/64	3-1/4	2-3/4	1-39/64	1.500	3/8	MUC206-18	MFB206	2.26	
1-3/16	MUCFB206-19														MUC206-19		2.22	
1-1/4	MUCFB206-20														MUC206-20		2.16	
1-1/4	MUCFB207-20	491.45	6-1/8	2-3/8	2	1-1/4	1/2	1-7/16	33/64	3-3/4	3-1/4	1-53/64	1.689	1/2	MUC207-20	MFB207	3.64	
1-5/16	MUCFB207-21	502.05													MUC207-21		3.58	
1-3/8	MUCFB207-22	491.45													MUC207-22		3.52	
1-7/16	MUCFB207-23	491.45													MUC207-23		3.46	
1-1/2	MUCFB208-24	564.90													MUC208-24		4.04	
Dimensions (mm)																		
12	MUCFB201	292.05	108	42.9	38.1	22.2	8	25.4	10	63.5	60.3	34.2	31	M8	MUC201	MFB204	1.32	
15	MUCFB202														MUC202		1.28	
17	MUCFB203														MUC203		1.26	
20	MUCFB204	292.05	108	42.9	38.1	22.2	8	25.4	10	63.5	60.3	34.2	31	M8	MUC204	MFB204	1.22	
25	MUCFB205	315.75	120.7	46	41.3	28.6	9.5	28.6	10	70	63.5	36.4	34		MUC205	MFB205	1.60	
30	MUCFB206	377.20	136.5	52.4	47.6	31.7	9.5	31.7	10	82.6	70	40.8	38.1		MUC206	MFB206	2.22	
35	MUCFB207	491.45	155.6	60.3	50.8	31.7	12.7	36.5	13	95.3	82.6	46.4	42.9		M10	MUC207	MFB207	3.52
40	MUCFB208	564.90	164	60.3	50.0	41.3	16	35.7	12	100	78	51.2	49.2		M10	MUC208	MFB208	3.96

NOTE: Lubrication fitting Tap Size for 1" and smaller shaft sizes, 1/4-28 UNF; for all other sizes, 1/8-27 NPT

INTERCHANGES: SUCSFB205-16

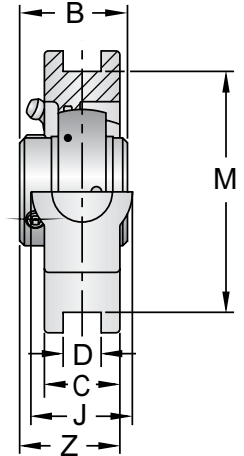
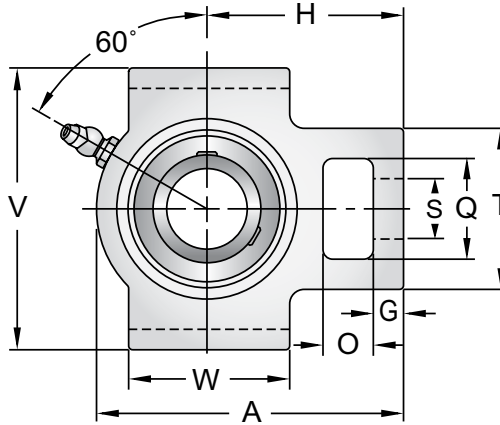




Shaft Dia. (in.)	AMI Unit #	List Price	Dimensions (in.)							Bolt Size (in.)	Bearing #	Housing #	Weight (lb.)
			A	E	G	X	S	Z	B				
1/2	MUCF201-8	292.05	3-3/8	2-1/2	15/32	1	7/16	1-5/16	1.220	3/8	MUC201-8	MF204	1.50
5/8	MUCF202-10										MUC202-10		1.46
3/4	MUCF204-12										MUC204-12		1.40
7/8	MUCF205-14	315.75	3-3/4	2-3/4	9/16	1-1/16	15/32	1-13/32	1.339	7/16	MUC205-14	MF205	2.04
15/16	MUCF205-15	341.75									MUC205-15		2.00
1	MUCF205-16	315.75									MUC205-16		1.96
1-1/8	MUCF206-18	377.20	4-1/4	3-1/4	9/16	1-7/32	15/32	1-37/64	1.500	7/16	MUC206-18	MF206	2.60
1-3/16	MUCF206-19										MUC206-19		2.56
1-1/4	MUCF206-20										MUC206-20		2.50
1-1/4	MUCF207-20	491.45	4-5/8	3-5/8	5/8	1-11/32	17/32	1-3/4	1.689	1/2	MUC207-20	MF207	3.56
1-5/16	MUCF207-21	502.05									MUC207-21		3.50
1-3/8	MUCF207-22	491.45									MUC207-22		3.44
1-7/16	MUCF207-23	491.45									MUC207-23		3.38
1-1/2	MUCF208-24	564.90									MUC208-24		4.52
1-11/16	MUCF209-27	612.55	5-3/8	4-1/8	23/32	1-1/2	19/32	2-1/16	1.937	9/16	MUC209-27	MF209	5.28
1-3/4	MUCF209-28										MUC209-28		5.18
1-7/8	MUCF210-30	678.05	5-5/8	4-3/8	23/32	1-9/16	19/32	2-5/32	2.031	9/16	MUC210-30	MF210	5.92
1-15/16	MUCF210-31										MUC210-31		5.82
2	MUCF210-32										MUC210-32		5.70
2	MUCF211-32	835.00	6-3/8	5-1/8	25/32	1-11/16	21/32	2-19/64	2.189	5/8	MUC211-32	MF211	8.86
2-3/16	MUCF211-35										MUC211-35		8.50
2-7/16	MUCF212-39	982.75	6-7/8	5-5/8	25/32	1-7/8	21/32	2-45/64	2.563	5/8	MUC212-39	MF212	10.06
2-1/2	MUCF213-40	1315.95	7-3/8	5-7/8	25/32	1-31/32	21/32	2-3/4	2.563	5/8	MUC213-40	MF213	12.44
Dimensions (mm)													
12	MUCF201	292.05	86	64	12	25.4	11	33.3	31	M8	MUC201	MF204	1.50
15	MUCF202										MUC202		1.46
17	MUCF203										MUC203		1.44
20	MUCF204	292.05	86	64	12	25.4	11	33.3	31	M10	MUC204	MF204	1.40
25	MUCF205	315.75	95	70	14	27	12	35.7	34		MUC205	MF205	1.98
30	MUCF206	377.20	108	83	14	31	12	40.2	38.1		MUC206	MF206	2.56
35	MUCF207	491.45	117	92	16	34	13.5	44.4	42.9	M12	MUC207	MF207	3.44
40	MUCF208	564.90	130	102	16	36	13.5	51.2	49.2	M12	MUC208	MF208	4.44
45	MUCF209	612.55	137	105	18	38	15	52.2	49.2	M14	MUC209	MF209	5.16
50	MUCF210	678.05	143	111	18	40	15	54.6	51.6	M14	MUC210	MF210	5.76
55	MUCF211	835.00	162	130	20	43	17	58.4	55.6	M16	MUC211	MF211	8.61
60	MUCF212	982.75	175	143	20	48	17	68.7	65.1	M16	MUC212	MF212	10.28
65	MUCF213	1315.95	187	149	20	50	17	69.7	65.1	M16	MUC213	MF213	12.26

NOTE: Lubrication fitting Tap Size for 1" and smaller shaft sizes, 1/4-28 UNF; for all other sizes, 1/8-27 NPT

**INTERCHANGES: SF4S-S216 SUCSF205-16 S24F100SS**



PRIME PLUS

Shaft Dia. (in.)	AMI Unit #	List Price	Dimensions (in.)														Bearing #	Housing #	Weight (lb.)	
			O	G	T	Q	S	W	D	M	V	A	J	C	H	Z				B
1/2	MUCT201-8																	MUC201-8		1.86
5/8	MUCT202-10	292.05	5/8	3/8	2	1-1/4	3/4	2	0.472	3	3-1/2	3-11/16	1-1/4	13/16	2-13/32	1-9/64	1.220	MUC202-10	MT204	1.82
3/4	MUCT204-12																	MUC204-12		1.76
7/8	MUCT205-14	315.75																MUC205-14		1.86
15/16	MUCT205-15	341.75	5/8	3/8	2	1-1/4	3/4	2	0.472	3	3-1/2	3-13/16	1-1/4	15/16	2-7/16	1-1/4	1.339	MUC205-15	MT205	1.82
1	MUCT205-16	315.75																MUC205-16		1.78
1-1/8	MUCT206-18																	MUC206-18		2.80
1-3/16	MUCT206-19	377.20	5/8	3/8	2-3/16	1-29/64	7/8	2-1/4	0.472	3-1/2	4-1/64	4-7/16	1-29/64	1-3/32	2-3/4	1-27/64	1.500	MUC206-19	MT206	2.76
1-1/4	MUCT206-20																	MUC206-20		2.70
1-1/4	MUCT207-20	491.45																MUC207-20		3.64
1-5/16	MUCT207-21	502.05																MUC207-21		3.58
1-3/8	MUCT207-22	491.45	5/8	1/2	2-1/2	1-29/64	7/8	2-1/2	0.472	3-1/2	4-1/64	5-5/64	1-29/64	1-3/16	3-5/64	1-19/32	1.689	MUC207-22	MT207	3.52
1-7/16	MUCT207-23	491.45																MUC207-23		3.46
1-1/2	MUCT208-24	564.90	3/4	5/8	3-1/4	1-15/16	1-1/8	3-1/4	0.630	4-1/64	4-1/2	5-11/16	1-15/16	1-5/16	3-15/32	1-27/32	1.937	MUC208-24	MT208	5.42
			Dimensions (mm)																	
12	MUCT201																	MUC201		1.86
15	MUCT202	292.05	16	10	51	32	19	51	12	76	89	94	32	21	61	28.8	31	MUC202	MT204	1.82
17	MUCT203																	MUC203		1.80
20	MUCT204	292.05	16	10	51	32	19	51	12	76	89	94	32	21	61	28.8	31	MUC204	MT204	1.76
25	MUCT205	315.75	16	10	51	32	19	51	12	76	89	97	32	24	62	31.7	34	MUC205	MT205	1.80
30	MUCT206	377.20	16	10	56	37	22	57	12	89	102	113	37	28	70	36.2	38.1	MUC206	MT206	2.76
35	MUCT207	491.45	16	13	64	37	22	64	12	89	102	129	37	30	78	40.4	42.9	MUC207	MT207	3.52
40	MUCT208	564.90	19	16	83	49	29	83	16	102	114	144	49	33	88	46.7	49.2	MUC208	MT208	5.34

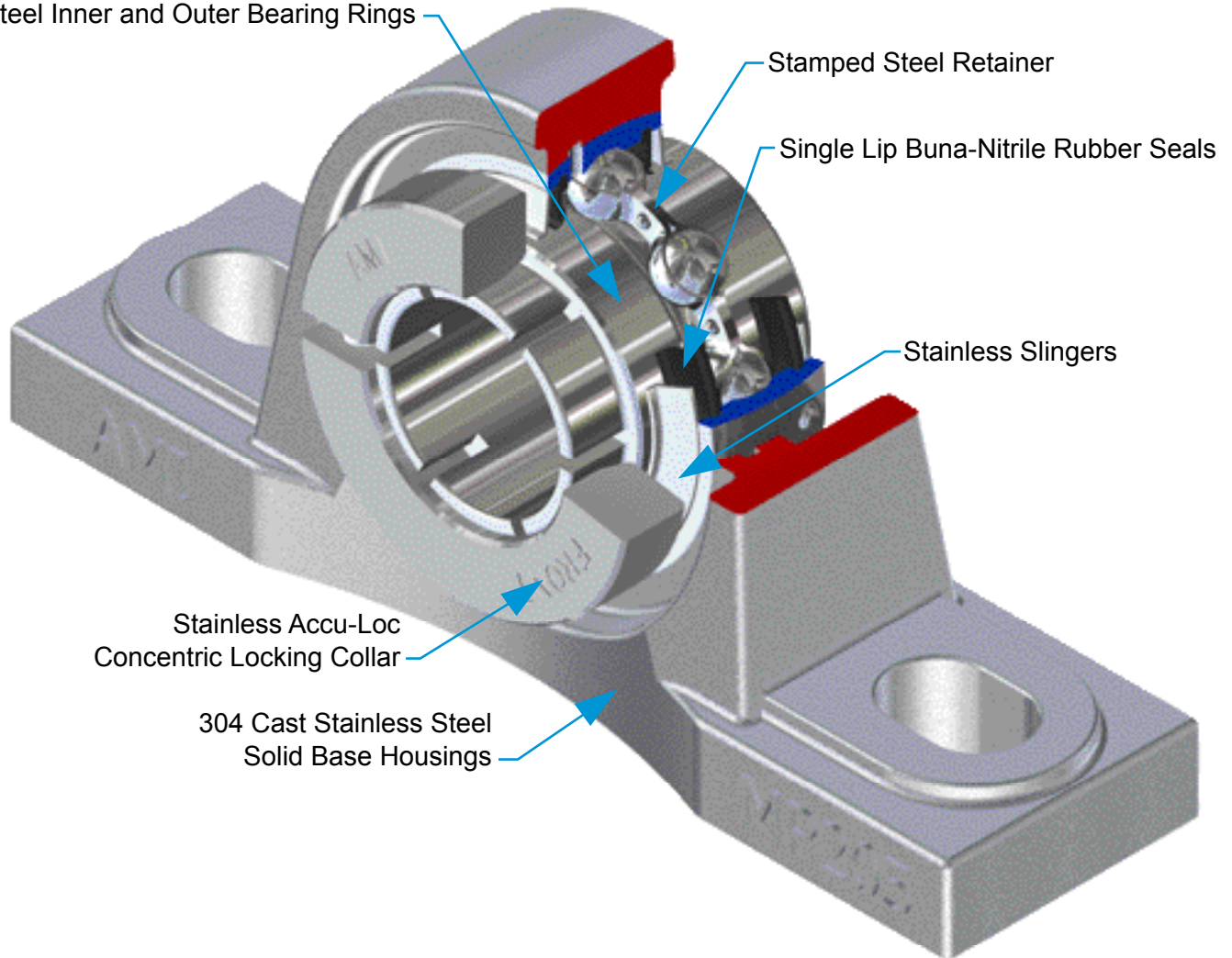
NOTE: Lubrication fitting Tap Size for 1" and smaller shaft sizes, 1/4-28 UNF; for all other sizes, 1/8-27 NPT

**INTERCHANGES: STW100SS**

# CHOICE PLUS SERIES

(Kanigen Corrosion Resistant Bearing Insert in Stainless Steel Housing)

Kanigen Corrosion Resistant AISI 52100  
Steel Inner and Outer Bearing Rings



Stamped Steel Retainer

Single Lip Buna-Nitrile Rubber Seals

Stainless Slings

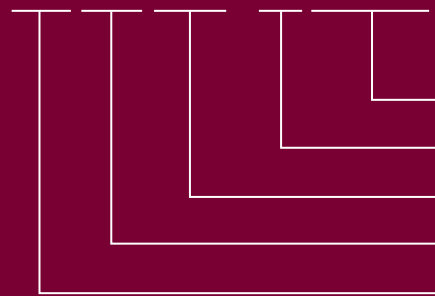
Stainless Accu-Loc  
Concentric Locking Collar

304 Cast Stainless Steel  
Solid Base Housing

CHOICE PLUS

Bore Size Range Availability: 3/4" to 1-1/2"

**UEMP205-16MZ20**



Kanigen Corrosion Resistant Bearing Insert

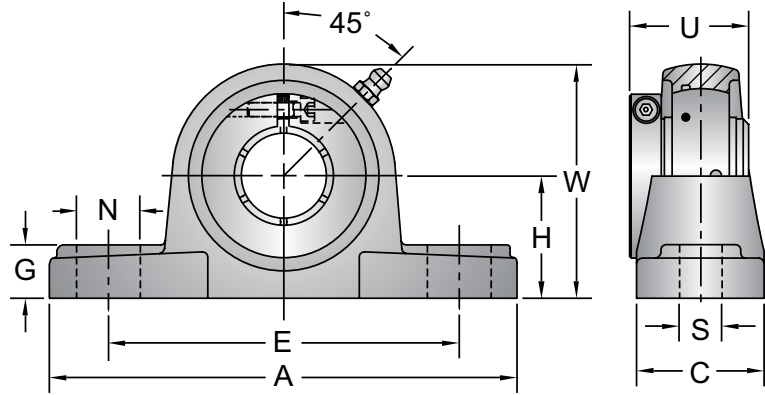
Bearing Bore in Sixteenths of an Inch

Basic Bearing Size

Housing Style

Wide Inner Ring, Accu-Loc Locking Bearing Insert

Normal Duty • Wide Inner Ring • 0°F ~ 212°F • H1 Approved Food Grade Grease

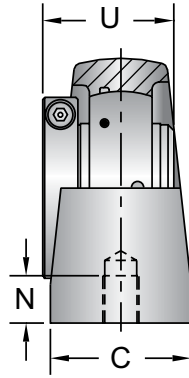
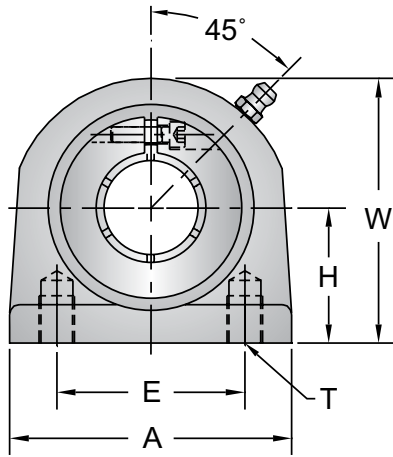


Shaft Dia. (in.)	AMI Unit #	List Price	Dimensions (in.)										Bolt Size (in.)	Bearing #	Housing #	Weight (lb.)
			H	A	E		C	S	N	G	W	U				
					Min.	Max.										
3/4	UEMP204-12MZ20	353.40	1-5/16	5	3-3/8	4-1/8	1-1/2	1/2	3/4	19/32	2-9/16	1.299	3/8	UE204-12MZ20	MP204	1.86
1	UEMP205-16MZ20	411.05	1-7/16	5-1/2	3-3/4	4-1/2	1-1/2	1/2	3/4	5/8	2-3/4	1.394	3/8	UE205-16MZ20	MP205	2.06
1-3/16	UEMP206-19MZ20	461.25	1-11/16	6-1/2	4-7/16	5-1/16	1-7/8	21/32	13/16	23/32	3-9/32	1.567	1/2	UE206-19MZ20	MP206	3.22
1-1/4	UEMP206-20MZ20													UE206-20MZ20		3.16
1-1/4	UEMP207-20MZ20	528.85	1-7/8	6-9/16	4-11/16	5-5/16	1-7/8	21/32	13/16	3/4	3-11/16	1.728	1/2	UE207-20MZ20	MP207	4.36
1-7/16	UEMP207-23MZ20													UE207-23MZ20		4.20
1-1/2	UEMP208-24MZ20	638.80	1-15/16	7-1/4	4-7/8	5-7/8	2-1/8	21/32	1	3/4	3-15/16	1.976	1/2	UE208-24MZ20	MP208	5.40

NOTE: Lubrication fitting Tap Size for 1" and smaller shaft sizes, 1/4-28 UNF; for all other sizes, 1/8-27 NPT

**INTERCHANGES: P2B-DLEZ-100SHCR CRPS-PN16T**

**CHOICE PLUS**

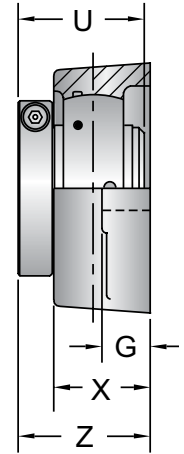
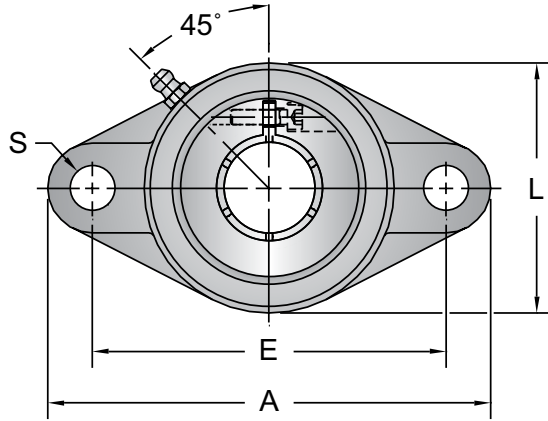


Shaft Dia. (in.)	AMI Unit #	List Price	Dimensions (in.)							Bolt Holes (UNC Thread) T	Bearing #	Housing #	Weight (lb.)
			H	A	E	C	N	W	U				
3/4	UEMTB204-12MZ20	353.40	1-5/16	2-7/8	2	1-1/2	1/2	2-9/16	1.299	3/8-16	UE204-12MZ20	MTB204	1.58
1	UEMTB205-16MZ20	411.05	1-7/16	3	2	1-1/2	1/2	2-13/16	1.394	3/8-16	UE205-16MZ20	MTB205	1.76
1-3/16	UEMTB206-19MZ20	461.25	1-11/16	4	3	1-1/2	5/8	3-3/8	1.567	7/16-14	UE206-19MZ20	MTB206	2.90
1-1/4	UEMTB206-20MZ20										UE206-20MZ20		2.84
1-1/4	UEMTB207-20MZ20	528.85	1-7/8	4-1/4	3-1/4	1-7/8	3/4	3-3/4	1.728	1/2-13	UE207-20MZ20	MTB207	4.10
1-7/16	UEMTB207-23MZ20										UE207-23MZ20		3.94
1-1/2	UEMTB208-24MZ20	638.80	1-15/16	4-5/8	3-1/2	1-7/8	3/4	3-15/16	1.976	1/2-13	UE208-24MZ20	MTB208	4.40

NOTE: Lubrication fitting Tap Size for 1" and smaller shaft sizes, 1/4-28 UNF; for all other sizes, 1/8-27 NPT

**INTERCHANGES: AMI EXCLUSIVE**

**CHOICE PLUS**



Shaft Dia. (in.)	AMI Unit #	List Price	Dimensions (in.)								Bolt Size (in.)	Bearing #	Housing #	Weight (lb.)
			A	E	G	X	S	L	Z	U				
3/4	UEMFL204-12MZ20	353.40	4-13/32	3-17/32	7/16	31/32	13/32	2-3/8	1-23/64	1.299	3/8	UE204-12MZ20	MFL204	1.16
1	UEMFL205-16MZ20	411.05	4-7/8	3-57/64	17/32	1-1/16	1/2	2-3/4	1-29/64	1.394	7/16	UE205-16MZ20	MFL205	1.50
1-3/16	UEMFL206-19MZ20	461.25	5-9/16	4-19/32	17/32	1-3/16	1/2	3-1/4	1-41/64	1.567	7/16	UE206-19MZ20	MFL206	2.10
1-1/4	UEMFL206-20MZ20											UE206-20MZ20		2.04
1-1/4	UEMFL207-20MZ20	528.85	6-1/8	5-1/8	9/16	1-11/32	35/64	3-3/4	1-25/32	1.728	1/2	UE207-20MZ20	MFL207	2.98
1-7/16	UEMFL207-23MZ20											UE207-23MZ20		2.82
1-1/2	UEMFL208-24MZ20	638.80	6-3/4	5-21/32	9/16	1-1/2	35/64	4-1/8	2-1/16	1.976	1/2	UE208-24MZ20	MFL208	3.84

NOTE: Lubrication fitting Tap Size for 1" and smaller shaft sizes, 1/4-28 UNF; for all other sizes, 1/8-27 NPT

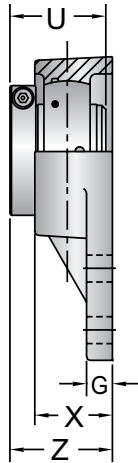
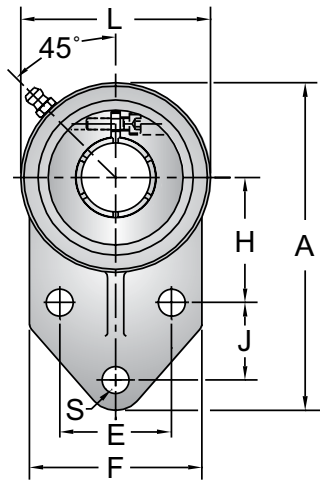
**INTERCHANGES: F2B-DLEZ-100SHCR CRFTS-PN16T**

**CHOICE PLUS**

# THREE-BOLT FLANGE BRACKET UNITS

Kanigen Insert detail-pg. 88 • RF Patent Seal-pg. 90

# UEMFB 200MZ20

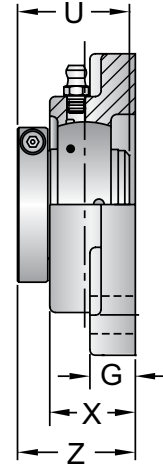
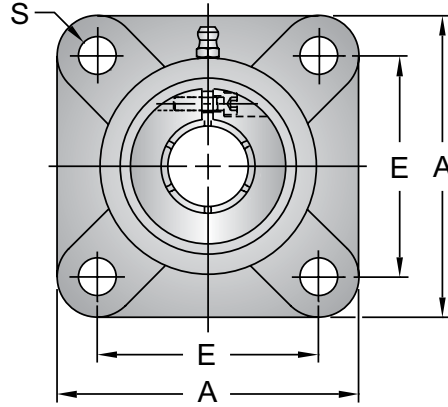


Shaft Dia. (in.)	AMI Unit #	List Price	Dimensions (in.)											Bolt Size (in.)	Bearing #	Housing #	Weight (lb.)
			A	H	E	J	G	X	S	L	F	Z	U				
3/4	UEMFB204-12MZ20	353.40	4-1/4	1-11/16	1-1/2	7/8	5/16	1	25/64	2-1/2	2-3/8	1-27/64	1.299	3/8	UE204-12MZ20	MFB204	1.38
1	UEMFB205-16MZ20	411.05	4-3/4	1-13/16	1-5/8	1-1/8	3/8	1-1/8	25/64	2-3/4	2-1/2	1-31/64	1.394	3/8	UE205-16MZ20	MFB205	1.74
1-3/16	UEMFB206-19MZ20	461.25	5-3/8	2-1/16	1-7/8	1-1/4	3/8	1-1/4	25/64	3-1/4	2-3/4	1-43/64	1.567	3/8	UE206-19MZ20	MFB206	2.42
1-1/4	UEMFB206-20MZ20														UE206-20MZ20		2.36
1-1/4	UEMFB207-20MZ20	528.85	6-1/8	2-3/8	2	1-1/4	1/2	1-7/16	33/64	3-3/4	3-1/4	1-55/64	1.728	1/2	UE207-20MZ20	MFB207	3.88
1-7/16	UEMFB207-23MZ20														UE207-23MZ20		3.72
1-1/2	UEMFB208-24MZ20	638.80	6-15/32	2-3/8	1-31/32	1-5/8	5/8	1-13/32	15/32	3-15/16	3-1/16	2-1/16	1.976	7/16	UE208-24MZ20	MFB208	4.34

NOTE: Lubrication fitting Tap Size for 1" and smaller shaft sizes, 1/4-28 UNF; for all other sizes, 1/8-27 NPT

**INTERCHANGES: CRFBS-PN16T**

CHOICE PLUS



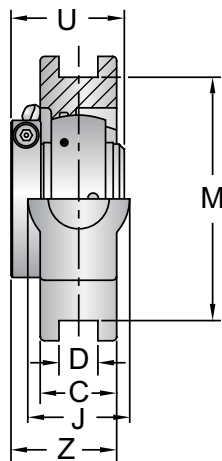
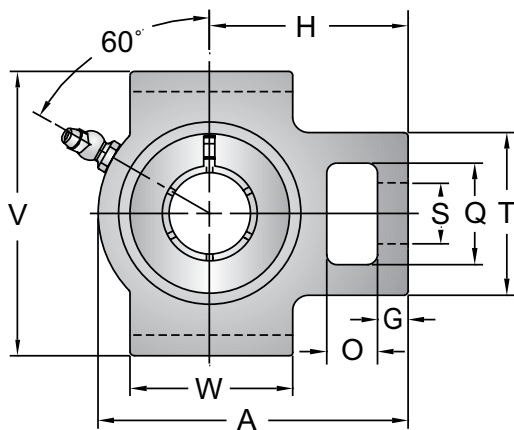
Shaft Dia. (in.)	AMI Unit #	List Price	Dimensions (in.)							Bolt Size (in.)	Bearing #	Housing #	Weight (lb.)
			A	E	G	X	S	Z	U				
3/4	UEMF204-12MZ20	353.40	3-3/8	2-1/2	15/32	1	7/16	1-25/64	1.299	3/8	UE204-12MZ20	MF204	1.56
1	UEMF205-16MZ20	411.05	3-3/4	2-3/4	9/16	1-1/16	15/32	1-15/32	1.394	7/16	UE205-16MZ20	MF205	2.12
1-3/16	UEMF206-19MZ20	461.25	4-1/4	3-1/4	9/16	1-7/32	15/32	1-21/32	1.567	7/16	UE206-19MZ20	MF206	2.76
1-1/4	UEMF206-20MZ20										UE206-20MZ20		2.70
1-1/4	UEMF207-20MZ20	528.85	4-5/8	3-5/8	5/8	1-11/32	17/32	1-25/32	1.728	1/2	UE207-20MZ20	MF207	3.80
1-7/16	UEMF207-23MZ20										UE207-23MZ20		3.64
1-1/2	UEMF208-24MZ20	638.80	5-1/8	4	5/8	1-13/32	17/32	2-1/16	1.976	1/2	UE208-24MZ20	MF208	4.82

NOTE: Lubrication fitting Tap Size for 1" and smaller shaft sizes, 1/4-28 UNF; for all other sizes, 1/8-27 NPT

**INTERCHANGES: F4B-DLEZ-100SHCR CRFS-PN16T**

CHOICE PLUS





Shaft Dia. (in.)	AMI Unit #	List Price	Dimensions (in.)															Bearing #	Housing #	Weight (lb.)
			O	G	T	Q	S	W	D	M	V	A	J	C	H	Z	U			
3/4	UEMT204-12MZ20	353.40	5/8	3/8	2	1-1/4	3/4	2	0.472	3	3-1/2	3-11/16	1-1/4	13/16	2-13/32	1-13/64	1.299	UE204-12MZ20	MT204	1.92
1	UEMT205-16MZ20	411.05	5/8	3/8	2	1-1/4	3/4	2	0.472	3	3-1/2	3-13/16	1-1/4	15/16	2-7/16	1-19/64	1.394	UE205-16MZ20	MT205	1.94
1-3/16	UEMT206-19MZ20	461.25	5/8	3/8	2-3/16	1-29/64	7/8	2-1/4	0.472	3-1/2	4-1/64	4-7/16	1-29/64	1-3/32	2-3/4	1-31/64	1.567	UE206-19MZ20	MT206	2.96
1-1/4	UEMT206-20MZ20																	UE206-20MZ20		2.90
1-1/4	UEMT207-20MZ20	528.85	5/8	1/2	2-1/2	1-29/64	7/8	2-1/2	0.472	3-1/2	4-1/64	5-5/64	1-29/64	1-3/16	3-5/64	1-41/64	1.728	UE207-20MZ20	MT207	3.88
1-7/16	UEMT207-23MZ20																	UE207-23MZ20		3.72
1-1/2	UEMT208-24MZ20	638.80	3/4	5/8	3-1/4	1-15/16	1-1/8	3-1/4	0.630	4-1/64	4-1/2	5-11/16	1-15/16	1-5/16	3-15/32	1-57/64	1.976	UE208-24MZ20	MT208	5.72

NOTE: Lubrication fitting Tap Size for 1" and smaller shaft sizes, 1/4-28 UNF; for all other sizes, 1/8-27 NPT

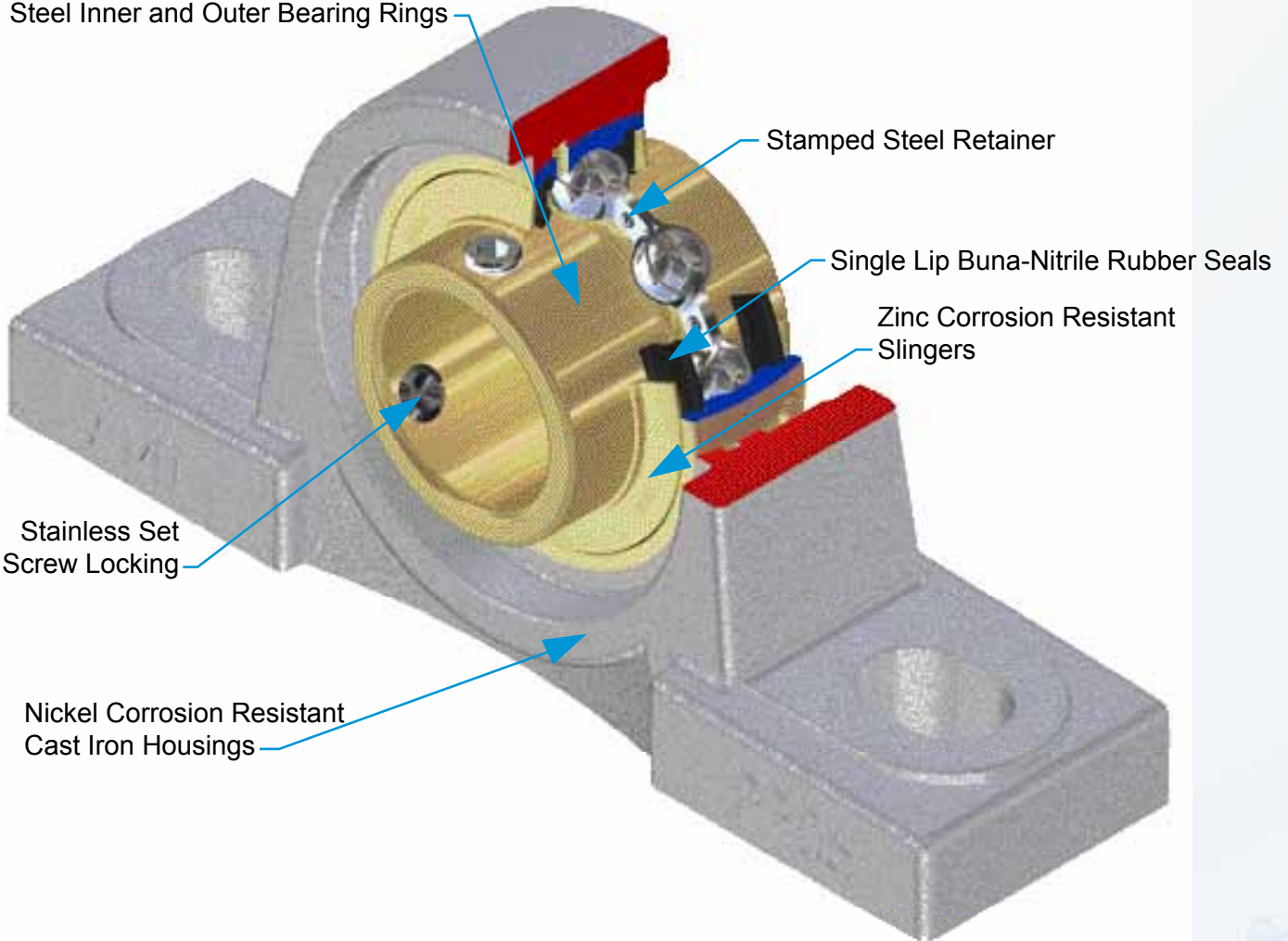
**INTERCHANGES: AMI EXCLUSIVE**

CHOICE PLUS

# SELECT SERIES

(Zinc Corrosion Resistant Bearing Insert in Nickel Corrosion Resistant Housing)

Zinc Corrosion Resistant AISI 52100  
Steel Inner and Outer Bearing Rings



Stamped Steel Retainer

Single Lip Buna-Nitrile Rubber Seals

Zinc Corrosion Resistant Slingers

Stainless Set Screw Locking

Nickel Corrosion Resistant Cast Iron Housings

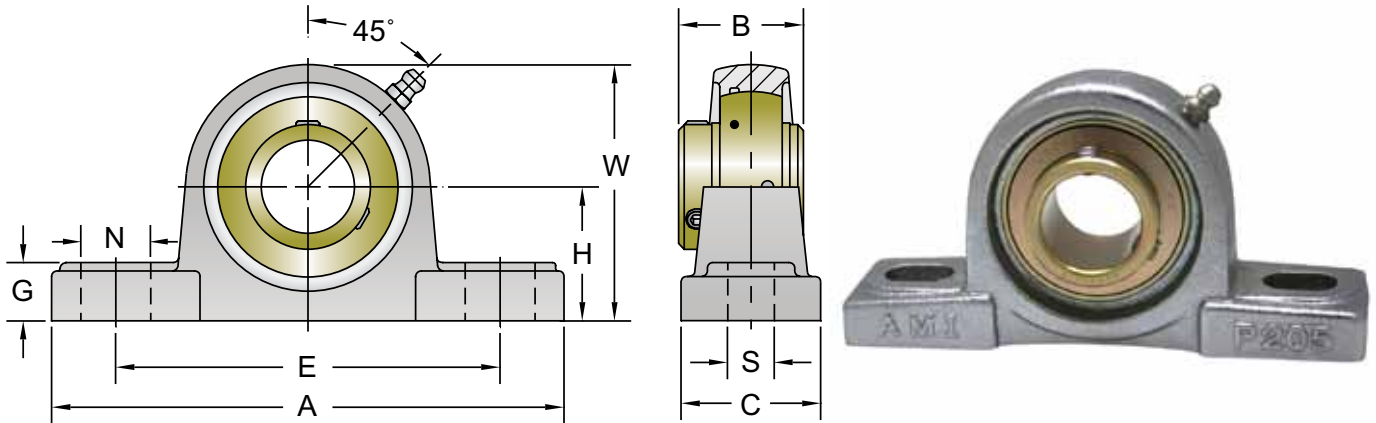
SELECT

Bore Size Range Availability: 1/2" to 2-3/16" and 15mm to 50mm

UCP205-16NPMZ2



Normal Duty • Wide Inner Ring • 0°F ~ 212°F • H1 Approved Food Grade Grease

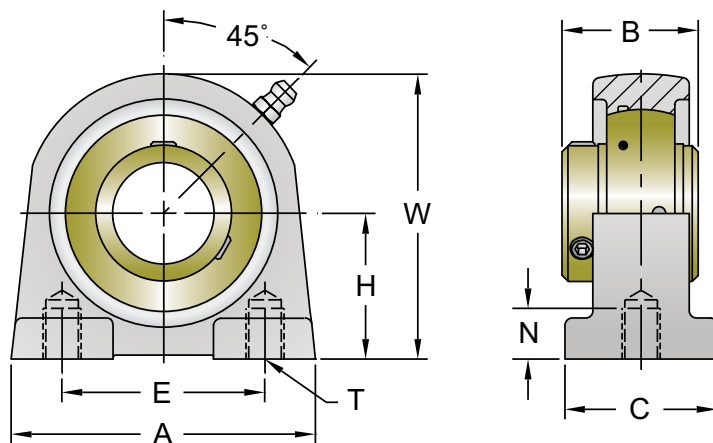


Shaft Dia. (in.)	AMI Unit #	List Price	Dimensions (in.)										Bolt Size (in.)	Bearing #	Housing #	Weight (lb.)	
			H	A	E		C	S	N	G	W	B					
					Min.	Max.											
1/2	UCP201-8NPMZ2	81.20	1-3/16	5	3-3/8	4-1/8	1-1/2	1/2	3/4	19/32	2-7/16	1.220	3/8	UC201-8MZ2	P203NP	1.61	
5/8	UCP202-10NPMZ2		1-3/16	5	3-3/8	4-1/8	1-1/2	1/2	3/4	19/32	2-7/16	1.220		UC202-10MZ2	P203NP	1.57	
3/4	UCP204-12NPMZ2		1-5/16	5	3-3/8	4-1/8	1-1/2	1/2	3/4	19/32	2-9/16	1.220		UC204-12MZ2	P204NP	1.61	
7/8	UCP205-14NPMZ2	88.10	1-7/16	5-1/2	3-3/4	4-1/2	1-1/2	1/2	3/4	5/8	2-3/4	1.339	3/8	UC205-14MZ2	P205NP	1.97	
1	UCP205-16NPMZ2													UC205-16MZ2		1.89	
1-1/16	UCP206-17NPMZ2	116.70	1-11/16	6-1/2	4-7/16	5-1/16	1-7/8	21/32	13/16	23/32	3-9/32	1.500	1/2	UC206-17MZ2	P206NP	3.25	
1-1/8	UCP206-18NPMZ2													UC206-18MZ2		3.19	
1-3/16	UCP206-19NPMZ2													UC206-19MZ2		3.15	
1-1/4	UCP206-20NPMZ2													UC206-20MZ2		3.11	
1-1/4	UCP207-20NPMZ2	135.60	1-7/8	6-9/16	4-11/16	5-5/16	1-7/8	21/32	13/16	3/4	3-11/16	1.689	1/2	UC207-20MZ2	P207NP	3.80	
1-5/16	UCP207-21NPMZ2													UC207-21MZ2		3.74	
1-3/8	UCP207-22NPMZ2													UC207-22MZ2		3.68	
1-7/16	UCP207-23NPMZ2													UC207-23MZ2		3.60	
1-1/2	UCP208-24NPMZ2	154.40	1-15/16	7-1/4	4-7/8	5-7/8	2-1/8	21/32	1	3/4	3-15/16	1.937	1/2	UC208-24MZ2	P208NP	4.73	
1-11/16	UCP209-27NPMZ2	176.70	2-1/8	7-1/2	5-3/8	6-1/8	2-1/8	21/32	7/8	25/32	4-1/4	1.937	1/2	UC209-27MZ2	P209NP	5.37	
1-3/4	UCP209-28NPMZ2													UC209-28MZ2		5.29	
1-7/8	UCP210-30NPMZ2	205.60	2-1/4	8-1/8	5-7/8	6-5/8	2-3/8	25/32	1	7/8	4-1/2	2.031	5/8	UC210-30MZ2	P210NP	7.09	
1-15/16	UCP210-31NPMZ2													UC210-31MZ2		6.99	
2	UCP210-32NPMZ2													UC210-32MZ2		6.89	
2	UCP211-32NPMZ2	285.95	2-1/2	8-5/8	6-3/8	7-1/8	2-3/8	25/32	1	7/8	4-31/32	2.189	5/8	UCX10-32MZ2	P211NP	10.90	
2-3/16	UCP211-35NPMZ2													UC211-35MZ2		10.52	
Dimensions (mm)																	
15	UCP202NPMZ2	81.20	30.2	127	86	105	38	13	19	15	62	31	M10	UC202MZ2	P203NP	1.59	
17	UCP203NPMZ2		30.2	127	86	105	38	13	19	15	62	31		M10	UC203MZ2	P203NP	1.57
20	UCP204NPMZ2		33.3	127	86	105	38	13	19	15	65	31		M14	UC204MZ2	P204NP	1.59
25	UCP205NPMZ2	88.10	36.5	140	95	114	38	13	19	16	70	34	M10	UC205MZ2	P205NP	1.91	
30	UCP206NPMZ2	116.70	42.9	165	113	129	48	17	21	18	83	38.1	M14	UC206MZ2	P206NP	3.15	
35	UCP207NPMZ2	135.60	47.6	167	119	135	48	17	21	19	94	42.9	M14	UC207MZ2	P207NP	3.68	
40	UCP208NPMZ2	154.40	49.2	184	124	149	54	17	25	19	100	49.2	M14	UC208MZ2	P208NP	4.63	
45	UCP209NPMZ2	176.70	54.0	190	137	156	54	17	22	20	108	49.2	M14	UC209MZ2	P209NP	5.25	
50	UCP210NPMZ2	205.60	57.2	206	149	168	60	20	25	22	114	51.6	M16	UC210MZ2	P210NP	6.95	

NOTE: Lubrication fitting Tap Size for 1" and smaller shaft sizes, 1/4-28 UNF; for all other sizes, 1/8-27 NPT

INTERCHANGES:	YAS1NT	UCP205-16S7Z5	PBW271WZ-1	RASEY1-FA125	CUCNPP205-16	WP3S216E	NC251	ZPB100ZM
---------------	--------	---------------	------------	--------------	--------------	----------	-------	----------

SELECT

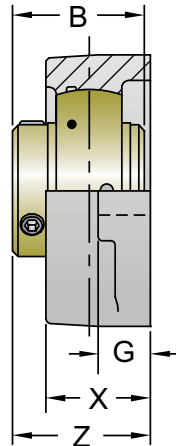
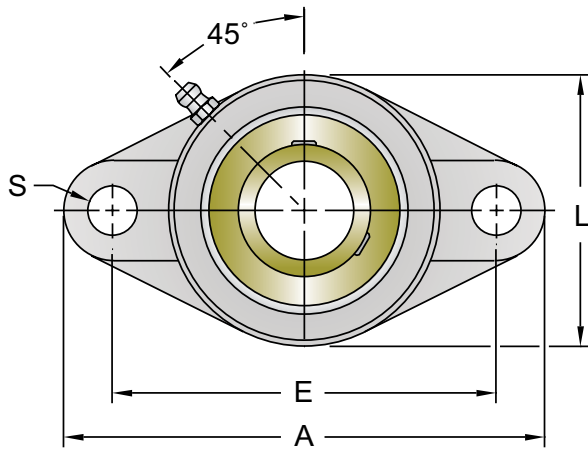


SELECT

Shaft Dia. (in.)	AMI Unit #	List Price	Dimensions (in.)							Bolt Holes (UNC Thread) T	Bearing #	Housing #	Weight (lb.)
			H	A	E	C	N	W	B				
1/2	UCTB201-8NPMZ2	94.70	1-5/16	2-7/8	2	1-1/2	1/2	2-9/16	1.220	3/8-16	UC201-8MZ2	TB204NP	1.22
5/8	UCTB202-10NPMZ2										UC202-10MZ2		1.18
3/4	UCTB204-12NPMZ2										UC204-12MZ2		1.14
7/8	UCTB205-14NPMZ2	100.30	1-7/16	3	2	1-1/2	1/2	2-13/16	1.339	3/8-16	UC205-14MZ2	TB205NP	1.46
1	UCTB205-16NPMZ2										UC205-16MZ2		1.38
1-1/16	UCTB206-17NPMZ2	122.00	1-11/16	4	3	1-1/2	5/8	3-3/8	1.500	7/16-14	UC206-17MZ2	TB206NP	2.38
1-1/8	UCTB206-18NPMZ2										UC206-18MZ2		2.32
1-3/16	UCTB206-19NPMZ2										UC206-19MZ2		2.28
1-1/4	UCTB206-20NPMZ2										UC206-20MZ2		2.24
1-1/4	UCTB207-20NPMZ2	146.90	1-7/8	4-1/4	3-1/4	1-7/8	3/4	3-3/4	1.689	1/2-13	UC207-20MZ2	TB207NP	3.22
1-5/16	UCTB207-21NPMZ2										UC207-21MZ2		3.16
1-3/8	UCTB207-22NPMZ2										UC207-22MZ2		3.10
1-7/16	UCTB207-23NPMZ2										UC207-23MZ2		3.02
1-1/2	UCTB208-24NPMZ2	173.10	1-15/16	4-5/8	3-1/2	1-7/8	3/4	3-15/16	1.937	1/2-13	UC208-24MZ2	TB208NP	3.70
1-11/16	UCTB209-27NPMZ2										UC209-27MZ2		4.26
1-3/4	UCTB209-28NPMZ2	190.10	2-1/8	5	3-3/4	2	3/4	4-1/4	1.937	1/2-13	UC209-28MZ2	TB209NP	4.18
1-7/8	UCTB210-30NPMZ2										UC210-30MZ2		5.42
1-15/16	UCTB210-31NPMZ2	219.20	2-1/4	5-1/2	4	2	7/8	4-5/8	2.031	5/8-11	UC210-31MZ2	TB210NP	5.32
2	UCTB210-32NPMZ2										UC210-32MZ2		5.22
2	UCTB211-32NPMZ2	297.00	2-1/4	5-1/2	4	2	7/8	4-5/8	2.189	5/8-11	UCX10-32MZ2	TB211NP	6.34
2-3/16	UCTB211-35NPMZ2										UC211-35MZ2		5.96
Dimensions (mm)													
15	UCPA202NPMZ2	94.70	30.2	76	52	38	12	62	31	M10	UC202MZ2	PA204NP	1.13
17	UCPA203NPMZ2										UC203MZ2		1.11
20	UCPA204NPMZ2										UC204MZ2		1.05
25	UCPA205NPMZ2	100.30	36.5	84	56	38	15	72	34	M10	UC205MZ2	PA205NP	1.55
30	UCPA206NPMZ2	122.00	42.9	94	66	48	18	84	38.1	M14	UC206MZ2	PA206NP	2.16
35	UCPA207NPMZ2	146.90	47.6	110	80	48	20	95	42.9	M14	UC207MZ2	PA207NP	3.39
40	UCPA208NPMZ2	173.10	49.2	116	84	54	20	100	49.2	M14	UC208MZ2	PA208NP	4.00
45	UCPA209NPMZ2	190.10	54.2	120	90	54	25	108	49.2	M14	UC209MZ2	PA209NP	4.76
50	UCPA210NPMZ2	219.20	57.2	130	94	60	25	116	51.6	M16	UC210MZ2	PA210NP	6.14

NOTE: Lubrication fitting Tap Size for 1" and smaller shaft sizes, 1/4-28 UNF; for all other sizes, 1/8-27 NPT

INTERCHANGES:	STB1NT	UCTB205-16S7Z5	RSHEY1-FA125	CUCNPPA205-16	WPT35216E	NTBC251	ZTB100ZM
---------------	--------	----------------	--------------	---------------	-----------	---------	----------

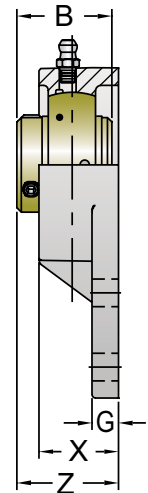
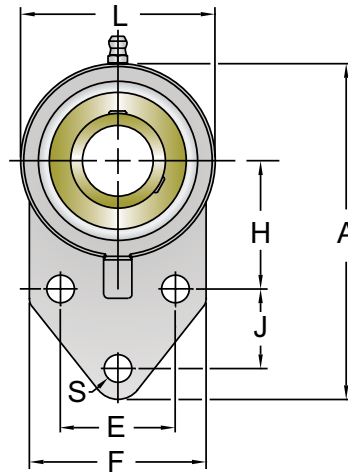


Shaft Dia. (in.)	AMI Unit #	List Price	Dimensions (in.)								Bolt Size (in.)	Bearing #	Housing #	Weight (lb.)
			A	E	G	X	S	L	Z	B				
1/2	UCFT201-8NPMZ2	81.20	3-7/8	3	7/16	31/32	13/32	2-3/16	1-17/64	1.220	3/8	UC201-8MZ2	FT203PNP	0.87
5/8	UCFT202-10NPMZ2		4-13/32	3-17/32	7/16	31/32	13/32	2-3/8	1-9/32	1.220		UC202-10MZ2		0.83
3/4	UCFT204-12NPMZ2		4-7/8	3-57/64	17/32	1-1/16	1/2	2-3/4	1-13/32	1.339		7/16		UC204-12MZ2
7/8	UCFT205-14NPMZ2	88.10	4-7/8	3-57/64	17/32	1-1/16	1/2	2-3/4	1-13/32	1.339	7/16	UC205-14MZ2	FT205NP	1.38
1	UCFT205-16NPMZ2											UC205-16MZ2		1.30
1-1/16	UCFT206-17NPMZ2	116.70	5-9/16	4-19/32	17/32	1-3/16	1/2	3-1/4	1-37/64	1.500	7/16	UC206-17MZ2	FT206NP	1.98
1-1/8	UCFT206-18NPMZ2											UC206-18MZ2		1.92
1-3/16	UCFT206-19NPMZ2											UC206-19MZ2		1.88
1-1/4	UCFT206-20NPMZ2											UC206-20MZ2		1.84
1-1/4	UCFT207-20NPMZ2	135.60	6-1/8	5-1/8	9/16	1-11/32	35/64	3-3/4	1-3/4	1.689	1/2	UC207-20MZ2	FT207NP	2.92
1-5/16	UCFT207-21NPMZ2											UC207-21MZ2		2.86
1-3/8	UCFT207-22NPMZ2											UC207-22MZ2		2.80
1-7/16	UCFT207-23NPMZ2											UC207-23MZ2		2.72
1-1/2	UCFT208-24NPMZ2	154.40	6-3/4	5-21/32	9/16	1-1/2	35/64	4-1/8	2-1/64	1.937	1/2	UC208-24MZ2	FT208NP	3.58
1-11/16	UCFT209-27NPMZ2	176.70	7-1/16	5-27/32	9/16	1-9/16	5/8	4-3/8	2-3/64	1.937	9/16	UC209-27MZ2	FT209NP	4.06
1-3/4	UCFT209-28NPMZ2											UC209-28MZ2		3.98
1-7/8	UCFT210-30NPMZ2	205.60	7-7/16	6-3/16	9/16	1-9/16	5/8	4-9/16	2-5/32	2.031	9/16	UC210-30MZ2	FT210NP	4.42
1-15/16	UCFT210-31NPMZ2											UC210-31MZ2		4.32
2	UCFT210-32NPMZ2											UC210-32MZ2		4.22
2	UCFT211-32NPMZ2	285.95	8-1/2	7-1/4	13/16	1-3/4	21/32	5-1/4	2-5/16	2.189	5/8	UCX10-32MZ2	FT211NP	6.58
2-3/16	UCFT211-35NPMZ2											UC211-35MZ2		6.20
Dimensions (mm)														
15	UCFT202NPMZ2	81.20	98.4	76.2	11	25	10.5	55.6	32.3	31	M8	UC202MZ2	FT203PNP	0.85
17	UCFT203NPMZ2		112	89.7	11	25	10.5	60	32.6	31		UC203MZ2		0.83
20	UCFT204NPMZ2		124	98.8	13	27	12.5	70	35.6	34		M10		UC204MZ2
25	UCFT205NPMZ2	88.10	124	98.8	13	27	12.5	70	35.6	34	M10	UC205MZ2	FT205NP	1.32
30	UCFT206NPMZ2	116.70	141	116.7	13	30	12.5	83	40.1	38.1	M10	UC206MZ2	FT206NP	1.88
35	UCFT207NPMZ2	135.60	156	130.2	14	34	14	95	44.5	42.9	M12	UC207MZ2	FT207NP	2.80
40	UCFT208NPMZ2	154.40	171	143.7	14	38	14	105	51.2	49.2	M12	UC208MZ2	FT208NP	3.48
45	UCFT209NPMZ2	176.70	179	148.4	14	40	16	111	52.0	49.2	M14	UC209MZ2	FT209NP	3.94
50	UCFT210NPMZ2	205.60	189	157.2	14	40	16	116	54.8	51.6	M14	UC210MZ2	FT210NP	4.28

NOTE: Lubrication fitting Tap Size for 1" and smaller shaft sizes, 1/4-28 UNF; for all other sizes, 1/8-27 NPT

INTERCHANGES:	YCJT1NT	UCFL205-16S7Z5	FB280HWZ-1	RCJTY1-FA125	CUCNPFL205-16	WFX3S216E	NFC2251	Z2F100ZM
---------------	---------	----------------	------------	--------------	---------------	-----------	---------	----------

SELECT

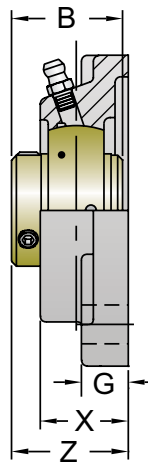
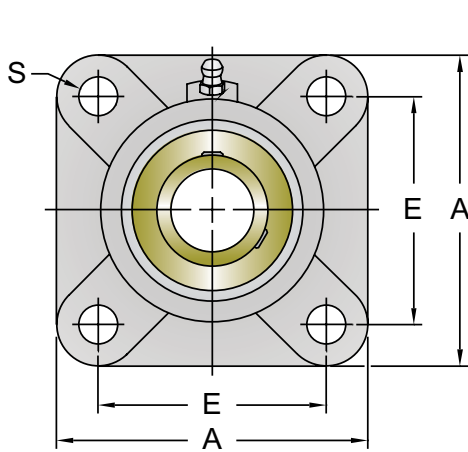


SELECT

Shaft Dia. (in.)	AMI Unit #	List Price	Dimensions (in.)											Bolt Size (in.)	Bearing #	Housing #	Weight (lb.)
			A	H	E	J	G	X	S	L	F	Z	B				
1/2	UCFB201-8NPMZ2	81.20	4-1/4	1-11/16	1-1/2	7/8	5/16	1	25/64	2-1/2	2-3/8	1-11/32	1.220	3/8	UC201-8MZ2	FB204NP	1.26
5/8	UCFB202-10NPMZ2														UC202-10MZ2		1.22
3/4	UCFB204-12NPMZ2														UC204-12MZ2		1.18
7/8	UCFB205-14NPMZ2	88.10	4-3/4	1-13/16	1-5/8	1-1/8	1/2	1-1/8	25/64	2-3/4	2-1/2	1-7/16	1.339	3/8	UC205-14MZ2	FB205NP	1.70
1	UCFB205-16NPMZ2														UC205-16MZ2		1.62
1-1/16	UCFB206-17NPMZ2														UC206-17MZ2		2.40
1-1/8	UCFB206-18NPMZ2	116.70	5-3/8	2-1/16	1-7/8	1-1/4	1/2	1-1/4	25/64	3-1/4	2-3/4	1-39/64	1.500	3/8	UC206-18MZ2	FB206NP	2.34
1-3/16	UCFB206-19NPMZ2														UC206-19MZ2		2.30
1-1/4	UCFB206-20NPMZ2														UC206-20MZ2		2.26
1-1/4	UCFB207-20NPMZ2	135.60	6-1/8	2-3/8	2	1-1/4	1/2	1-7/16	33/64	3-3/4	3-1/4	1-53/64	1.689	1/2	UC207-20MZ2	FB207NP	3.64
1-5/16	UCFB207-21NPMZ2														UC207-21MZ2		3.58
1-3/8	UCFB207-22NPMZ2														UC207-22MZ2		3.52
1-7/16	UCFB207-23NPMZ2	154.40	6-15/32	2-3/8	1-31/32	1-5/8	5/8	1-13/32	15/32	3-15/16	3-1/16	2-1/64	1.937	7/16	UC207-23MZ2	FB208NP	3.44
1-1/2	UCFB208-24NPMZ2														UC208-24MZ2		4.06
1-11/16	UCFB209-27NPMZ2														UC209-27MZ2		4.44
1-3/4	UCFB209-28NPMZ2	176.70	6-27/32	2-9/16	2-1/8	1-11/16	23/32	1-1/2	15/32	4-3/16	3-5/32	2-3/64	1.937	7/16	UC209-28MZ2	FB209NP	4.36
1-7/8	UCFB210-30NPMZ2														UC210-30MZ2		5.36
1-15/16	UCFB210-31NPMZ2														UC210-31MZ2		5.26
2	UCFB210-32NPMZ2	205.60	7-1/2	2-15/16	2-3/4	1-5/8	1/2	1-1/2	33/64	4-5/8	4	2-9/64	2.031	1/2	UC210-32MZ2	FB210NP	5.16
Dimensions (mm)																	
15	UCFK202NPMZ2	81.20	110	42	32	27	13	25.5	10	62	52	33.3	31	M8	UC202MZ2	FK204NP	1.28
17	UCFK203NPMZ2														UC203MZ2		1.26
20	UCFK204NPMZ2														UC204MZ2		1.20
25	UCFK205NPMZ2	88.10	116	45	34	27	13	27	10	68	56	35.7	34	M8	UC205MZ2	FK205NP	1.44
30	UCFK206NPMZ2														UC206MZ2		1.92
35	UCFK207NPMZ2														UC207MZ2		2.82
40	UCFK208NPMZ2	154.40	164	60	50	41	16	36	12	100	78	51.2	49.2	M10	UC208MZ2	FK208NP	3.58
45	UCFK209NPMZ2														UC209MZ2		4.12
50	UCFK210NPMZ2														UC210MZ2		5.00

NOTE: Lubrication fitting Tap Size for 1" and smaller shaft sizes, 1/4-28 UNF; for all other sizes, 1/8-27 NPT

INTERCHANGES: UCFB205-16S7Z5 CUCNPFB205-16 WFB3S216E NMF251

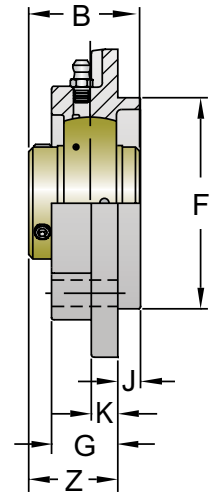
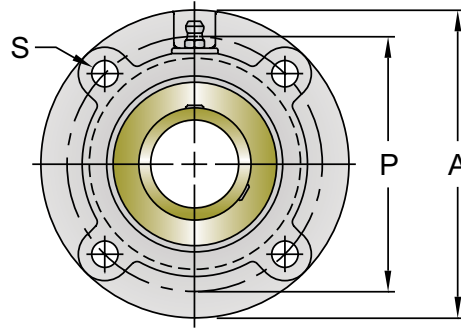


Shaft Dia. (in.)	AMI Unit #	List Price	Dimensions (in.)							Bolt Size (in.)	Bearing #	Housing #	Weight (lb.)
			A	E	G	X	S	Z	B				
1/2	UCF201-8NPMZ2	81.20	3-3/8	2-1/2	15/32	1	7/16	1-5/16	1.220	3/8	UC201-8MZ2	F204NP	1.38
5/8	UCF202-10NPMZ2										UC202-10MZ2		1.34
3/4	UCF204-12NPMZ2										UC204-12MZ2		1.30
7/8	UCF205-14NPMZ2	88.10	3-3/4	2-3/4	9/16	1-1/16	15/32	1-13/32	1.339	7/16	UC205-14MZ2	F205NP	1.78
1	UCF205-16NPMZ2										UC205-16MZ2		1.70
1-1/16	UCF206-17NPMZ2	116.70	4-1/4	3-1/4	9/16	1-7/32	15/32	1-37/64	1.500	7/16	UC206-17MZ2	F206NP	2.56
1-1/8	UCF206-18NPMZ2										UC206-18MZ2		2.50
1-3/16	UCF206-19NPMZ2										UC206-19MZ2		2.46
1-1/4	UCF206-20NPMZ2										UC206-20MZ2		2.42
1-1/4	UCF207-20NPMZ2	135.60	4-5/8	3-5/8	5/8	1-11/32	17/32	1-3/4	1.689	1/2	UC207-20MZ2	F207NP	2.98
1-5/16	UCF207-21NPMZ2										UC207-21MZ2		2.92
1-3/8	UCF207-22NPMZ2										UC207-22MZ2		2.86
1-7/16	UCF207-23NPMZ2										UC207-23MZ2		2.78
1-1/2	UCF208-24NPMZ2										UC208-24MZ2		4.28
1-11/16	UCF209-27NPMZ2	176.70	5-3/8	4-1/8	23/32	1-1/2	19/32	2-1/16	1.937	9/16	UC209-27MZ2	F209NP	4.34
1-3/4	UCF209-28NPMZ2										UC209-28MZ2		4.26
1-7/8	UCF210-30NPMZ2	205.60	5-5/8	4-3/8	23/32	1-9/16	19/32	2-5/32	2.031	9/16	UC210-30MZ2	F210NP	5.54
1-15/16	UCF210-31NPMZ2										UC210-31MZ2		5.44
2	UCF210-32NPMZ2										UC210-32MZ2		5.34
2	UCF211-32NPMZ2	285.95	6-3/8	5-1/8	25/32	1-11/16	21/32	2-19/64	2.189	5/8	UCX10-32MZ2	F211NP	7.04
2-3/16	UCF211-35NPMZ2										UC211-35MZ2		6.66
Dimensions (mm)													
15	UCF202NPMZ2	81.20	86	64	12	25.4	11	33.3	31	M10	UC202MZ2	F204NP	1.36
17	UCF203NPMZ2										UC203MZ2		1.34
20	UCF204NPMZ2										UC204MZ2		1.28
25	UCF205NPMZ2	88.10	95	70	14	27	12	35.7	34	M10	UC205MZ2	F205NP	1.72
30	UCF206NPMZ2	116.70	108	83	14	31	12	40.2	38.1	M10	UC206MZ2	F206NP	2.46
35	UCF207NPMZ2	135.60	117	92	16	34	13.5	44.4	42.9	M12	UC207MZ2	F207NP	2.86
40	UCF208NPMZ2	154.40	130	102	16	36	13.5	51.2	49.2	M12	UC208MZ2	F208NP	4.18
45	UCF209NPMZ2	176.70	137	105	18	38	15	52.2	49.2	M14	UC209MZ2	F209NP	4.22
50	UCF210NPMZ2	205.60	143	111	18	40	15	54.6	51.6	M14	UC210MZ2	F210NP	5.40

NOTE: Lubrication fitting Tap Size for 1" and smaller shaft sizes, 1/4-28 UNF; for all other sizes, 1/8-27 NPT

INTERCHANGES:	YCJ1NT	UCF205-16S7Z5	FB270HWZ-1	RCJY1-FA125	CUCNPF205-16	WF3S216E	NFC4251	Z4F100ZM
---------------	--------	---------------	------------	-------------	--------------	----------	---------	----------

SELECT



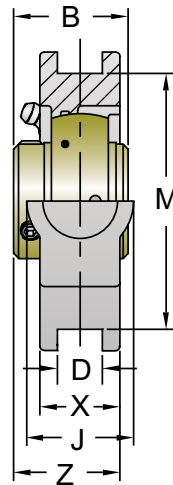
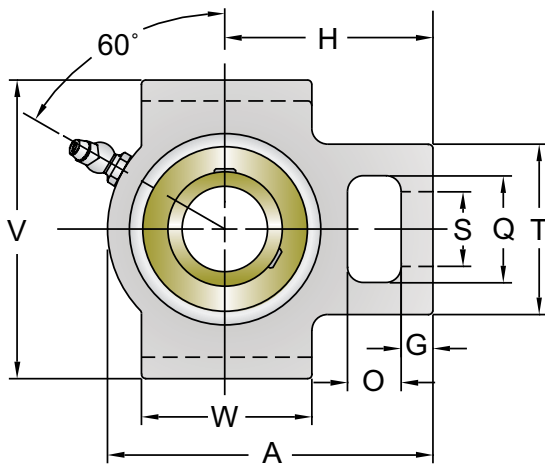
SELECT

Shaft Dia. (in.)	AMI Unit #	List Price	Dimensions (in.)									Bolt Size (in.)	Bearing #	Housing #	Weight (lb.)	
			A	P	S	J	K	G	F	Z	B					
1-1/16	UCFCS206-17NPMZ2	159.30	4-3/8	3-5/8	3/8	1/4	23/64	15/16	3.000	1-17/64	1.500	5/16	UC206-17MZ2	FCSX05NP	2.44	
1-1/8	UCFCS206-18NPMZ2												UC206-18MZ2		2.38	
1-3/16	UCFCS206-19NPMZ2												UC206-19MZ2		2.34	
1-1/4	UCFCS206-20NPMZ2												UC206-20MZ2		2.30	
1-1/4	UCFCS207-20NPMZ2	198.30	5	4-1/8	15/32	3/8	25/64	7/8	3.375	1-5/16	1.689	3/8	UC207-20MZ2	FCSX06NP	3.22	
1-5/16	UCFCS207-21NPMZ2												UC207-21MZ2		3.16	
1-3/8	UCFCS207-22NPMZ2												UC207-22MZ2		3.10	
1-7/16	UCFCS207-23NPMZ2												UC207-23MZ2		3.02	
1-1/2	UCFCS208-24NPMZ2	233.60	5-1/4	4-3/8	15/32	7/16	7/16	1-1/32	3.625	1-35/64	1.937	7/16	UC208-24MZ2	FCSX07NP	4.12	
1-11/16	UCFCS209-27NPMZ2	264.40	6-1/8	5-1/8	17/32	15/32	29/64	7/8	4.250	1-13/32	1.937	1/2	UC209-27MZ2	FCF209NP	5.28	
1-3/4	UCFCS209-28NPMZ2												UC209-28MZ2		5.20	
1-7/8	UCFCS210-30NPMZ2	299.30	6-1/8	5-1/8	35/64	15/32	7/16	1	4.250	1-39/64	2.031	1/2	UC210-30MZ2	FCSX09NP	5.24	
1-15/16	UCFCS210-31NPMZ2												UC210-31MZ2		5.14	
2	UCFCS210-32NPMZ2												UC210-32MZ2		5.04	
2	UCFCS211-32NPMZ2												345.30		6-3/8	5-3/8
2-3/16	UCFCS211-35NPMZ2	UC211-35MZ2	5.80													
Dimensions (mm)																
30	UCFCS206NPMZ2	159.30	111	92	9.5	6.4	9	24	76.2	32.2	38.1	M8	UC206MZ2	FCSX05NP	2.34	
35	UCFCS207NPMZ2	198.30	127	105	12	9.5	10	22	85.7	33.4	42.9	M10	UC207MZ2	FCSX06NP	3.10	
40	UCFCS208NPMZ2	233.60	133	111	12	11	11	26	92.1	39.2	49.2	M10	UC208MZ2	FCSX07NP	4.02	
45	UCFCS209NPMZ2	264.40	155	130	13.5	12	12	22	108.0	35.8	49.2	M12	UC209MZ2	FCF209NP	5.16	
50	UCFCS210NPMZ2	299.30	155	130	14	12	11	25	108.0	40.6	51.6	M12	UC210MZ2	FCSX09NP	5.10	

NOTE: Lubrication fitting Tap Size for 1" and smaller shaft sizes, 1/4-28 UNF; for all other sizes, 1/8-27 NPT

INTERCHANGES: RFC1NT    UCFCF205-16S7Z5    CUCNPFCS205-16    NPFC4251



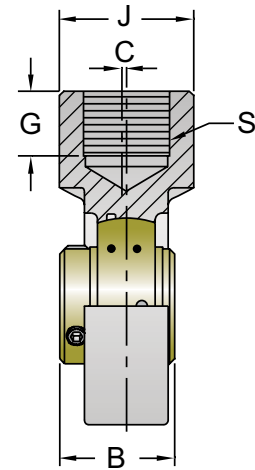
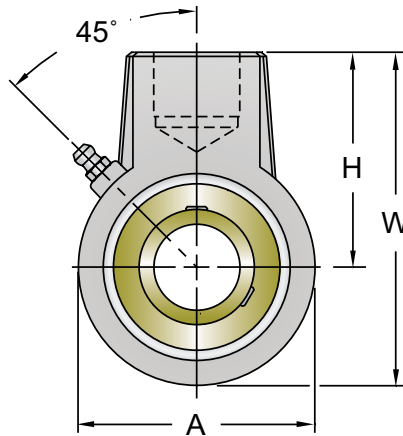


Shaft Dia. (in.)	AMI Unit #	List Price	Dimensions (in.)														Bearing #	Housing #	Weight (lb.)	
			O	G	T	Q	S	W	D	M	V	A	J	X	H	Z				B
1/2	UCST201-8NPMZ2																	UC201-8MZ2		1.86
5/8	UCST202-10NPMZ2	94.70	5/8	3/8	2	1-1/4	3/4	2	17/32	3	3-1/2	3-11/16	1-1/4	15/16	2-3/8	1-3/16	1.220	UC202-10MZ2	ST204NP	1.82
3/4	UCST204-12NPMZ2																	UC204-12MZ2		1.78
7/8	UCST205-14NPMZ2																	UC205-14MZ2		1.82
1	UCST205-16NPMZ2	100.30	5/8	3/8	2	1-1/4	7/8	2	17/32	3	3-1/2	3-13/16	1-1/4	15/16	2-7/16	1-1/4	1.339	UC205-16MZ2	ST205NP	1.74
1-1/16	UCST206-17NPMZ2																	UC206-17MZ2		2.46
1-1/8	UCST206-18NPMZ2																	UC206-18MZ2		2.40
1-3/16	UCST206-19NPMZ2	122.00	5/8	3/8	2-3/16	1-7/16	7/8	2-1/4	17/32	3-1/2	4	4-7/16	1-7/16	15/16	2-3/4	1-11/32	1.500	UC206-19MZ2	ST206NP	2.36
1-1/4	UCST206-20NPMZ2																	UC206-20MZ2		2.32
1-1/4	UCST207-20NPMZ2																	UC207-20MZ2		3.56
1-5/16	UCST207-21NPMZ2																	UC207-21MZ2		3.50
1-3/8	UCST207-22NPMZ2	146.90	5/8	1/2	2-1/2	1-7/16	7/8	2-1/2	17/32	3-1/2	4	5-1/16	1-7/16	1-3/16	3-1/16	1-19/32	1.689	UC207-22MZ2	ST207NP	3.44
1-7/16	UCST207-23NPMZ2																	UC207-23MZ2		3.36
1-1/2	UCST208-24NPMZ2	173.10	3/4	5/8	3-1/4	1-15/16	1-1/8	3-1/4	11/16	4	4-1/2	5-11/16	1-15/16	1-3/8	3-1/2	1-7/8	1.937	UC208-24MZ2	ST208NP	5.38
1-11/16	UCST209-27NPMZ2																	UC209-27MZ2		5.17
1-3/4	UCST209-28NPMZ2	190.10	3/4	5/8	3-1/4	1-15/16	1-1/8	3-1/4	11/16	4	4-5/8	5-11/16	1-15/16	1-3/8	3-7/16	1-7/8	1.937	UC209-28MZ2	ST209NP	5.09
1-7/8	UCST210-30NPMZ2																	UC210-30MZ2		5.46
1-15/16	UCST210-31NPMZ2																	UC210-31MZ2		5.36
2	UCST210-32NPMZ2	219.20	3/4	5/8	3-1/4	1-15/16	1-1/8	3-3/8	11/16	4	4-5/8	5-7/8	1-15/16	1-3/8	3-9/16	1-31/32	2.031	UC210-32MZ2	ST210NP	5.26
2	UCST211-32NPMZ2																	UCX10-32MZ2		8.86
2-3/16	UCST211-35NPMZ2	389.35	1	3/4	4	2-1/2	1-3/8	3-3/4	1-1/16	5-1/8	5-3/4	6-3/4	2-1/2	1-5/8	4-3/16	2-1/8	2.189	UC211-35MZ2	ST211NP	8.48
Dimensions (mm)																				
15	UCT202NPMZ2																	UC202MZ2		1.64
17	UCT203NPMZ2	94.70	16	10	51	32	19	51	12	76	89	94	32	21	61	28.8	31	UC203MZ2	T204NP	1.62
20	UCT204NPMZ2																	UC204MZ2		1.56
25	UCT205NPMZ2	100.30	16	10	51	32	19	51	12	76	89	97	32	24	62	31.7	34	UC205MZ2	T205NP	1.73
30	UCT206NPMZ2	122.00	16	10	56	37	22	57	12	89	102	113	37	28	70	36.2	38.1	UC206MZ2	T206NP	2.50
35	UCT207NPMZ2	146.90	16	13	64	37	22	64	12	89	102	129	37	30	78	40.4	42.9	UC207MZ2	T207NP	3.42
40	UCT208NPMZ2	173.10	19	16	83	49	29	83	16	102	114	144	49	33	88	46.7	49.2	UC208MZ2	T208NP	5.12
45	UCT209NPMZ2	190.10	19	16	83	49	29	83	16	102	117	144	49	35	87	47.7	49.2	UC209MZ2	T209NP	5.16
50	UCT210NPMZ2	219.20	19	16	83	49	29	86	16	102	117	149	49	37	90	51.1	51.6	UC210MZ2	T210NP	5.64

NOTE: Lubrication fitting Tap Size for 1" and smaller shaft sizes, 1/4-28 UNF; for all other sizes, 1/8-27 NPT

INTERCHANGES: YTU1NT RTUEY1-FA125 CUCNPT205-16 WTH3S216E NTC251

SELECT



SELECT

Shaft Dia. (in.)	AMI Unit #	List Price	Dimensions (in.)								Bearing #	Housing #	Weight (lb.)
			A	W	H	J	S (N.P.S.M.)	G	B	C			
1/2	UCECH201-8NPMZ2	128.80	2-3/4	3-7/8	2-1/2	1-9/16	PF3/4	3/4	1.220	0	UC201-8MZ2	ECH204NP	1.70
5/8	UCECH202-10NPMZ2										UC202-10MZ2		1.66
3/4	UCECH204-12NPMZ2										UC204-12MZ2		1.62
7/8	UCECH205-14NPMZ2	134.10	2-3/4	3-7/8	2-1/2	1-9/16	PF3/4	3/4	1.339	0	UC205-14MZ2	ECH205NP	1.62
1	UCECH205-16NPMZ2										UC205-16MZ2		1.54
1-1/16	UCECH206-17NPMZ2										UC206-17MZ2		2.06
1-1/8	UCECH206-18NPMZ2	159.30	3-1/8	4-1/8	2-1/2	1-9/16	PF3/4	3/4	1.500	0	UC206-18MZ2	ECH206NP	2.00
1-3/16	UCECH206-19NPMZ2										UC206-19MZ2		1.96
1-1/4	UCECH206-20NPMZ2										UC206-20MZ2		1.92
1-1/4	UCECH207-20NPMZ2										UC207-20MZ2		2.86
1-5/16	UCECH207-21NPMZ2	198.30	3-5/8	4-9/16	2-3/4	1-9/16	PF3/4	3/4	1.689	0	UC207-21MZ2	ECH207NP	2.80
1-3/8	UCECH207-22NPMZ2										UC207-22MZ2		2.74
1-7/16	UCECH207-23NPMZ2										UC207-23MZ2		2.66
1-1/2	UCECH208-24NPMZ2										UC208-24MZ2		3.08
1-11/16	UCECH209-27NPMZ2	264.40	4-1/4	5-3/8	3-1/4	1-7/8	PF1	13/16	1.937	0.158	UC209-27MZ2	ECH209NP	4.32
1-3/4	UCECH209-28NPMZ2										UC209-28MZ2		4.24
1-7/8	UCECH210-30NPMZ2										UC210-30MZ2		4.68
1-15/16	UCECH210-31NPMZ2	299.30	4-1/2	5-1/2	3-1/4	1-7/8	PF1	13/16	2.031	0.197	UC210-31MZ2	ECH210NP	4.58
2	UCECH210-32NPMZ2										UC210-32MZ2		4.48
2	UCECH211-32NPMZ2										UCX10-32MZ2		8.50
2-3/16	UCECH211-35NPMZ2	388.60	5-5/8	6-13/16	4	2-23/64	PF1-1/4	1-1/8	2.189	0.343	UC211-35MZ2	ECH211NP	8.12
Dimensions (mm)													
15	UCECH202NPMZ2	128.80	70	99	64	40	PF3/4	19	31	0	UC202MZ2	ECH204NP	1.68
17	UCECH203NPMZ2										UC203MZ2		1.66
20	UCECH204NPMZ2										UC204MZ2		1.60
25	UCECH205NPMZ2	134.10	70	99	64	40	PF3/4	19	34	0	UC205MZ2	ECH205NP	1.56
30	UCECH206NPMZ2	159.30	80	104	64	40	PF3/4	19	38.1	0	UC206MZ2	ECH206NP	1.96
35	UCECH207NPMZ2	198.30	92	116	70	40	PF3/4	19	42.9	0	UC207MZ2	ECH207NP	2.74
40	UCECH208NPMZ2	233.60	96	121	73	40	PF3/4	19	49.2	2	UC208MZ2	ECH208NP	2.98
45	UCECH209NPMZ2	264.40	108	136	82	48	PF1	21	49.2	4	UC209MZ2	ECH209NP	4.20
50	UCECH210NPMZ2	299.30	114	140	83	48	PF1	21	51.6	5	UC210MZ2	ECH210NP	4.54

NOTE: Lubrication fitting Tap Size for 1" and smaller shaft sizes, 1/4-28 UNF; for all other sizes, 1/8-27 NPT

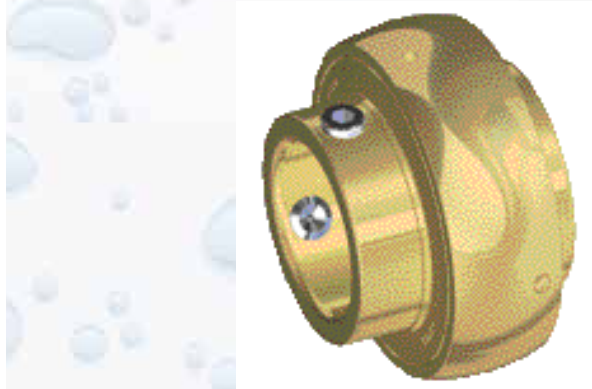
INTERCHANGES: CUCNPHA205-16 NMEHB1

# CORROSION RESISTANT INSERTS

## ZINC PROTECTED

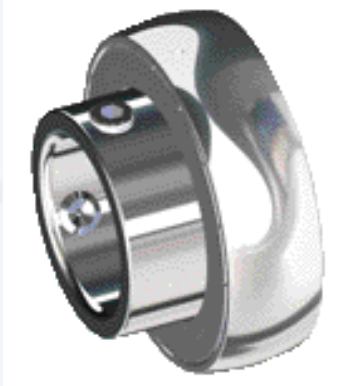


**B200MZ2**  
Narrow Inner Ring  
Set Screw Locking



**UC200MZ2**  
Wide Inner Ring  
Set Screw Locking

## STAINLESS PROTECTED



**MB200**  
Narrow Inner Ring  
Set Screw Locking



**MUC200**  
Wide Inner Ring  
Set Screw Locking



**MSER200**  
Cylindrical OD  
Set Screw Locking

## KANIGEN PROTECTED

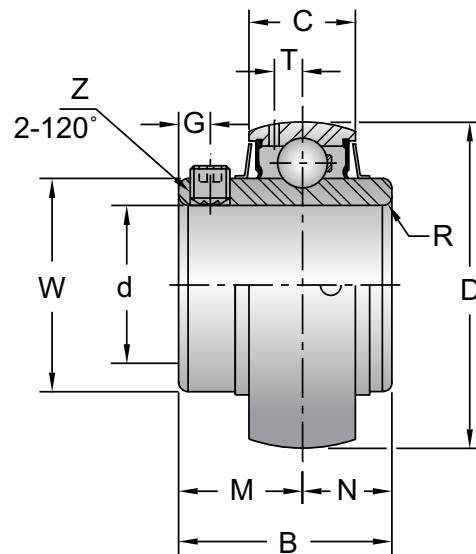


**UC200MZ20**  
Wide Inner Ring  
Set Screw Locking



**UE200MZ20**  
Wide Inner Ring  
Accu-Loc

A wide range of bearing modifications are available, if you need something special, just ask!



INSERTS

Shaft Dia. (in.) d	AMI Unit #	List Price	Dimensions (in.)										Basic Load Rating (lbf.)		Weight (lb.)
			D	B	C	R	N	M	G	Z (UNF)	T	W	Dynamic Cr	Static Cor	
1/2	MUC201-8	139.00	1.8504	1.220	0.669	0.039	0.500	0.720	0.177	1/4-28	0.177	1.142	2450	1190	0.44
5/8	MUC202-10					0.059									
3/4	MUC204-12					0.059									
7/8	MUC205-14	154.00	2.0472	1.339	0.669	0.059	0.563	0.776	0.197	1/4-28	0.177	1.339	2680	1420	0.48
15/16	MUC205-15	180.00													0.44
1	MUC205-16	154.00													0.40
1-1/8	MUC206-18	197.00	2.4409	1.500	0.748	0.059	0.626	0.874	0.197	1/4-28	0.201	1.594	3750	2030	0.70
1-3/16	MUC206-19														0.66
1-1/4	MUC206-20														0.60
1-1/4	MUC207-20	274.00	2.8346	1.689	0.787	0.079	0.689	1.000	0.236	5/16-24	0.228	1.890	4950	2770	1.14
1-5/16	MUC207-21	284.60													1.08
1-3/8	MUC207-22	274.00													1.02
1-7/16	MUC207-23	274.00													0.96
1-1/2	MUC208-24	292.00													1.44
1-11/16	MUC209-27	329.00	3.3465	1.937	0.866	0.079	0.748	1.189	0.315	5/16-24	0.256	2.256	6320	3690	1.56
1-3/4	MUC209-28														1.46
1-7/8	MUC210-30	362.00	3.5433	2.031	0.906	0.079	0.748	1.283	0.354	3/8-24	0.256	2.480	6790	4180	1.84
1-15/16	MUC210-31														1.74
2	MUC210-32														1.62
2	MUC211-32	585.85	3.9370	2.189	0.945	0.098	0.874	1.315	0.354	3/8-24	0.287	2.756	8230	5280	2.54
2-3/16	MUC211-35														2.18
2-7/16	MUC212-39	665.85	4.3307	2.563	1.024	0.098	1.000	1.563	0.394	3/8-24	0.303	3.031	10030	6500	2.88
2-1/2	MUC213-40	861.30	4.7244	2.563	1.063	0.098	1.000	1.563	0.394	3/8-24	0.327	3.232	11000	7190	3.88
			Dimensions (mm)										(kgf.)		
12	MUC201	139.00	47	31	17	1	12.7	18.3	4.5	M6x1	4.5	29	1110	540	0.44
15	MUC202														0.40
17	MUC203														0.38
20	MUC204	139.00	47	31	17	1.5	12.7	18.3	4.5	M6x1	4.5	29	1110	540	0.34
25	MUC205	154.00	52	34	17	1.5	14.3	19.7	5	M6x1	4.5	34	1220	640	0.42
30	MUC206	197.00	62	38.1	19	1.5	15.9	22.2	5	M6x1	5.1	40.5	1700	920	0.66
35	MUC207	274.00	72	42.9	20	2	17.5	25.4	6	M8x1	5.8	48	2250	1260	1.02
40	MUC208	292.00	80	49.2	21	2	19	30.2	8	M8x1	6.2	53	2540	1460	1.36
45	MUC209	329.00	85	49.2	22	2	19	30.2	8	M8x1	6.5	57.3	2870	1670	1.44
50	MUC210	362.00	90	51.6	23	2	19	32.6	9	M10x1.25	6.5	63	3080	1900	1.68
55	MUC211	585.85	100	55.6	24	2.5	22.2	33.4	9	M10x1.25	7.3	70	3730	2400	2.29
60	MUC212	665.85	110	65.1	26	2.5	25.4	39.7	10	M10x1.25	7.7	77	4550	2950	3.10
65	MUC213	861.30	120	65.1	27	2.5	25.4	39.7	10	M10x1.25	8.3	82.1	5000	3260	3.70

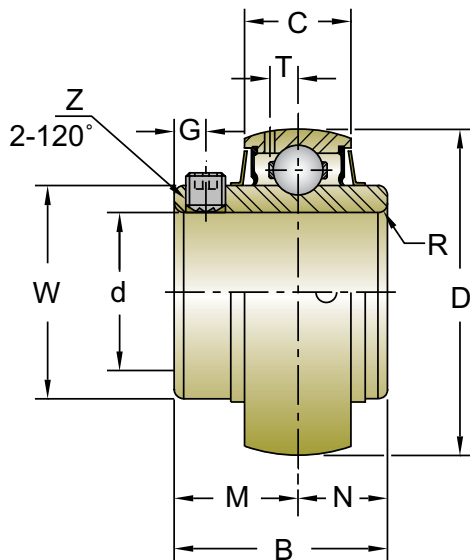
NOTE: If RF is required, add "RF" after the part number. For more information please see page 90 on RF Patent Seals.

INTERCHANGES: VS-S216 SUC205-16

# ZINC PROTECTED WIDE INNER RING BALL BEARINGS

RF Patent Seal-pg. 90

## UC 200MZZ

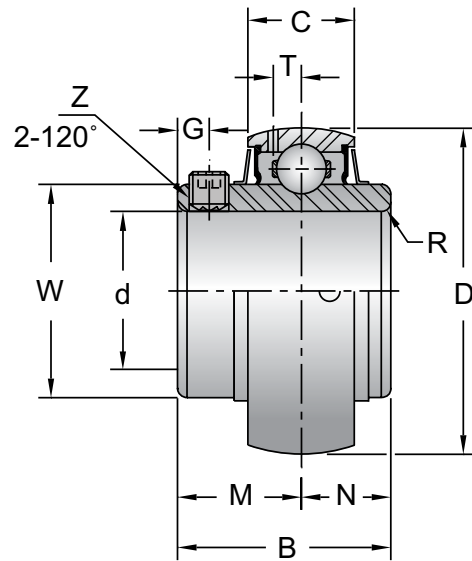


Shaft Dia. (in.) d	AMI Unit #	List Price	Dimensions (in.)										Basic Load Rating (lb.)		Weight (lb.)
			D	B	C	R	N	M	G	Z (UNF)	T	W	Dynamic Cr	Static Cor	
1/2	UC201-8MZZ	33.70	1.8504	1.220	0.669	0.039	0.500	0.720	0.177	1/4-28	0.177	1.142	2890	1500	0.44
5/8	UC202-10MZZ					0.059									0.40
3/4	UC204-12MZZ					0.36									
7/8	UC205-14MZZ	37.30	2.0472	1.339	0.669	0.059	0.563	0.776	0.197	1/4-28	0.177	1.339	3150	1780	0.50
1	UC205-16MZZ														0.42
1-1/16	UC206-17MZZ	44.30	2.4409	1.500	0.748	0.059	0.626	0.874	0.197	1/4-28	0.201	1.594	4410	2540	0.78
1-1/8	UC206-18MZZ														0.72
1-3/16	UC206-19MZZ														0.68
1-1/4	UC206-20MZZ														0.64
1-1/4	UC207-20MZZ	56.40	2.8346	1.689	0.787	0.079	0.689	1.000	0.236	5/16-24	0.228	1.890	5820	3460	1.18
1-5/16	UC207-21MZZ														1.12
1-3/8	UC207-22MZZ														1.06
1-7/16	UC207-23MZZ														0.98
1-1/2	UC208-24MZZ	70.30	3.1496	1.937	0.827	0.079	0.748	1.189	0.315	5/16-24	0.244	2.087	6590	4020	1.50
1-11/16	UC209-27MZZ	77.00	3.3465	1.937	0.886	0.079	0.748	1.189	0.315	5/16-24	0.256	2.256	7420	4610	1.62
1-3/4	UC209-28MZZ														1.54
1-7/8	UC210-30MZZ	91.00	3.5433	2.031	0.906	0.079	0.748	1.283	0.354	3/8-24	0.256	2.480	7980	5220	1.90
1-15/16	UC210-31MZZ														1.80
2	UC210-32MZZ														1.70
2-3/16	UC211-35MZZ	149.20	3.9370	2.189	0.945	0.098	0.874	1.315	0.354	3/8-24	0.287	2.756	9700	6610	2.26
			Dimensions (mm)										(kgf.)		
15	UC202MZZ	33.70	47	31	17	1	12.7	18.3	4.5	M6x0.75	4.5	29	1310	680	0.42
17	UC203MZZ														0.40
20	UC204MZZ	33.70	47	31	17	1.5	12.7	18.3	4.5	M6x0.75	4.5	29	1310	680	0.34
25	UC205MZZ	37.30	52	34	17	1.5	14.3	19.7	5	M6x0.75	4.5	34	1430	800	0.44
30	UC206MZZ	44.30	62	38.1	19	1.5	15.9	22.2	5	M6x0.75	5.1	40.5	2000	1150	0.68
35	UC207MZZ	56.40	72	42.9	20	2	17.5	25.4	6	M8x1	5.8	48	2640	1570	1.06
40	UC208MZZ	70.30	80	49.2	21	2	19	30.2	8	M8x1	6.2	53	2990	1830	1.40
45	UC209MZZ	77.00	85	49.2	22	2	19	30.2	8	M8x1	6.5	57.3	3350	2090	1.50
50	UC210MZZ	91.00	90	51.6	23	2	19	32.6	9	M10x1.25	6.5	63	3600	2370	1.76

NOTE: If RF is required, add "RF" after the part number. For more information please see page 90 on RF Patent Seals.

**INTERCHANGES: RRZ110BRR**

INSERTS

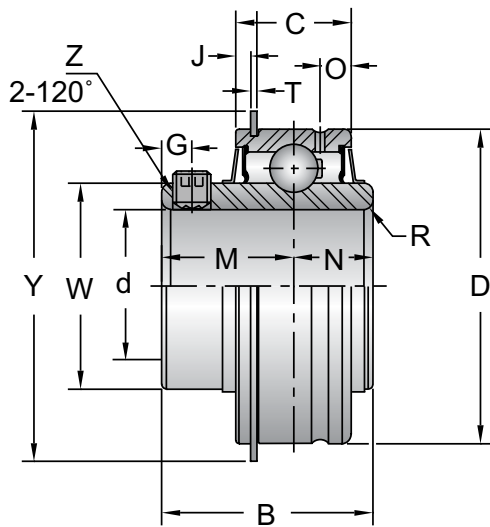


Shaft Dia. (in.) d	AMI Unit #	List Price	Dimensions (in.)										Basic Load Rating (lb.)		Weight (lb.)
			D	B	C	R	N	M	G	Z (UNF)	T	W	Dynamic Cr	Static Cor	
1/2	UC201-8MZ20	98.45	1.8504	1.220	0.669	0.039	0.500	0.720	0.177	1/4-28	0.177	1.142	2890	1500	0.44
5/8	UC202-10MZ20					0.059									
3/4	UC204-12MZ20	113.80	2.0472	1.339	0.669	0.059	0.563	0.776	0.197	1/4-28	0.177	1.339	3150	1780	0.42
1	UC205-16MZ20					0.059									
1-3/16	UC206-19MZ20	140.95	2.4409	1.500	0.748	0.059	0.626	0.874	0.197	1/4-28	0.201	1.594	4410	2540	0.68
1-1/4	UC206-20MZ20														
1-1/4	UC207-20MZ20	190.85	2.8346	1.689	0.787	0.079	0.689	1.000	0.236	5/16-24	0.228	1.890	5820	3460	1.18
1-3/8	UC207-22MZ20														
1-7/16	UC207-23MZ20	223.35	3.1496	1.937	0.827	0.079	0.748	1.189	0.315	5/16-24	0.244	2.087	6590	4020	0.98
1-1/2	UC208-24MZ20														
1-11/16	UC209-27MZ20	249.80	3.3465	1.937	0.866	0.079	0.748	1.189	0.354	5/16-24	0.256	2.256	7420	4610	1.62
1-3/4	UC209-28MZ20														
1-15/16	UC210-31MZ20	294.65	3.5433	2.031	0.906	0.079	0.748	1.283	0.354	3/8-24	0.256	2.480	7980	5220	1.80
2	UC210-32MZ20														

NOTE: If RF is required, add "RF" after the part number. For more information please see page 90 on RF Patent Seals.

**INTERCHANGES: INS-SC-100-CR**

INSERTS

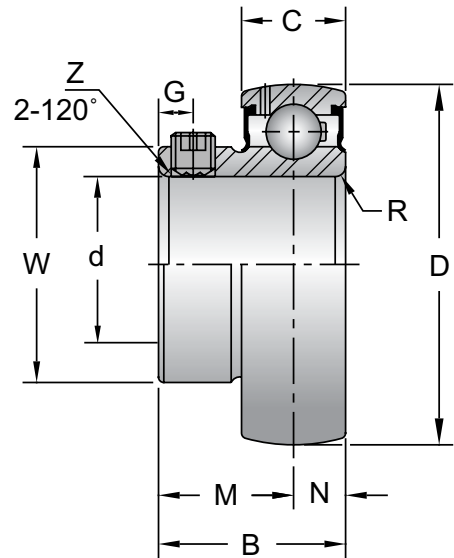


Shaft Dia. (in.)	AMI Unit #	List Price	Dimensions (in.)													Basic Load Rating (lb.)		Weight (lb.)
			D	B	C	R	N	M	G	Z (UNF)	O	W	J	T	Y (Max.)	Dynamic Cr	Static Cor	
5/8	MSER202-10	200.00	1.8504	1-7/32	5/8	0.039	13/32	13/16	0.177	1/4-28	0.150	1.142	3/32	0.042	2.075	2450	1190	0.40
3/4	MSER204-12	200.00	2.0472	1-3/8	3/4	0.059	33/64	55/64	0.197	1/4-28	13/64	1.339	3/32	0.042	2.280	2680	1420	0.36
1	MSER205-16	200.00	2.0472	1-3/8	3/4	0.059	33/64	55/64	0.197	1/4-28	13/64	1.339	3/32	0.042	2.280	2680	1420	0.46
1-3/16	MSER206-19	245.00	2.4409	1-1/2	7/8	0.059	5/8	7/8	0.197	1/4-28	7/32	1.594	1/8	0.065	2.665	3750	2030	0.74
1-1/4	MSER207-20	325.00	2.8346	1-11/16	15/16	0.079	11/16	1	0.236	5/16-24	7/32	1.890	1/8	0.065	3.095	4950	2770	1.26
1-7/16	MSER207-23	325.00	2.8346	1-11/16	15/16	0.079	11/16	1	0.236	5/16-24	7/32	1.890	1/8	0.065	3.095	4950	2770	1.08
1-1/2	MSER208-24	410.00	3.1496	1-15/16	1-3/32	0.079	3/4	1-3/16	0.315	5/16-24	1/4	2.087	1/8	0.065	3.410	5600	3210	1.64

NOTE: If RF is required, add "RF" after the part number. For more information please see page 90 on RF Patent Seals.

INTERCHANGES: ER205-16S6

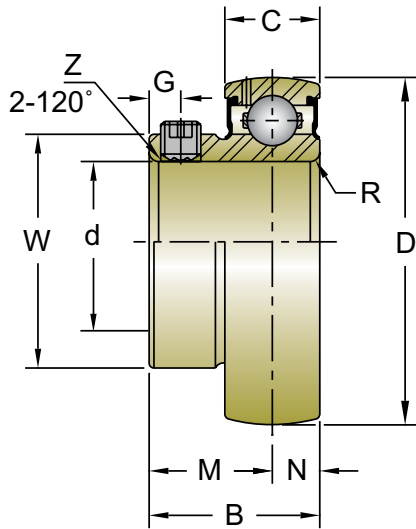
INSERTS



Shaft Dia. (in.)	AMI Unit #	List Price	Dimensions (in.)									Basic Load Rating (lbf.)		Weight (lb.)
			D	B	C	R	N	M	G	Z (UNF)	W	Dynamic Cr	Static Cor	
1/2	MB1-8	118.90	1.5748	0.866	0.472	0.039	0.236	0.630	0.157	10-32	0.972	1830	860	0.20
5/8	MB2-10													
3/4	MB4-12	123.60	1.8504	0.972	0.551	0.059	0.276	0.697	0.177	10-32	1.142	2450	1190	0.28
1	MB5-16	130.40	2.0472	1.063	0.591	0.059	0.295	0.767	0.197	1/4-28	1.339	2680	1420	0.34
1-1/4	MB6-20	193.50	2.4409	1.193	0.630	0.059	0.315	0.878	0.197	1/4-28	1.594	3750	2030	0.50
			Dimensions (mm)									(kgf.)		
20	MB4	123.60	47	24.7	14	1.5	7	17.7	4.5	M5x0.8	29	1110	540	0.26
25	MB5	130.40	52	27	15	1.5	7.5	19.6	5	M6x0.75	34	1220	640	0.34
30	MB6	193.50	62	30.3	16	1.5	8	22.3	5	M6x0.75	40.5	1700	920	0.54
35	MB7	264.60	72	32.9	17	2	8.5	24.4	6	M8x1	48	2250	1260	0.80
40	MB8	302.20	80	35.5	18	2	9	26.5	8	M8x1	53	2540	1460	1.06

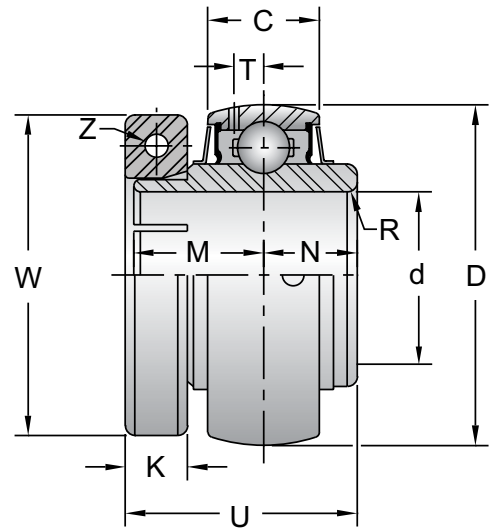
**INTERCHANGES: SB205-16S6**





Shaft Dia. (in.)	AMI Unit #	List Price	Dimensions (in.)									Basic Load Rating (lbf.)		Weight (lb.)
			D	B	C	R	N	M	G	Z (UNF)	W	Dynamic Cr	Static Cor	
1/2	B1-8MZZ	32.60	1.5748	0.866	0.472	0.039	0.236	0.630	0.157	10-32	0.972	2150	1080	0.22
5/8	B2-10MZZ													0.20
3/4	B4-12MZZ	33.80	1.8504	0.972	0.551	0.059	0.276	0.697	0.177	10-32	1.142	2890	1500	0.30
1	B5-16MZZ	38.50	2.0472	1.063	0.591	0.059	0.295	0.767	0.197	1/4-28	1.339	3150	1780	0.34
1-1/8	B6-18MZZ	49.50	2.4409	1.193	0.630	0.059	0.315	0.878	0.197	1/4-28	1.594	4410	2540	0.58
1-3/16	B6-19MZZ													0.54
1-1/4	B6-20MZZ													0.50
1-1/4	B7-20MZZ	76.00	2.8346	1.295	0.669	0.079	0.335	0.961	0.236	5/16-24	1.890	5820	3460	0.92
1-3/8	B7-22MZZ													0.82
1-7/16	B7-23MZZ													0.78
1-1/2	B8-24MZZ	91.60	3.1496	1.397	0.709	0.079	0.354	1.043	0.315	5/16-24	2.087	6590	4020	1.14

INTERCHANGES: SB205-16S7 GAY100NPP-B-AS2/V-FA125



Shaft Dia. (in.)	AMI Unit #	List Price	Dimensions (in.)										Basic Load Rating (lbf.)		Weight (lb.)
			D	U	C	R	N	M	T	W	K	Z (UNC)	Dynamic Cr	Static Cor	
3/4	UE204-12MZ20	200.35	1.8504	1.299	0.669	0.059	0.500	0.720	0.177	1.724	0.374	8-32	2890	1500	0.50
1	UE205-16MZ20	249.30	2.0472	1.394	0.669	0.059	0.563	0.780	0.177	1.929	0.374	8-32	3150	1760	0.56
1-3/16	UE206-19MZ20	281.05	2.4409	1.567	0.748	0.059	0.626	0.874	0.201	2.185	0.374	8-32	4410	2540	0.86
1-1/4	UE206-20MZ20														0.80
1-1/4	UE207-20MZ20	311.40	2.8346	1.728	0.787	0.079	0.689	1.000	0.228	2.421	0.433	10-24	5820	3460	1.38
1-7/16	UE207-23MZ20									2.520					1.22
1-1/2	UE208-24MZ20	365.90	3.1496	1.976	0.827	0.079	0.748	1.189	0.244	2.677	0.433	10-24	6590	4030	1.74

NOTE: If RF is required, add "RF" after the part number. For more information please see page 90 on RF Patent Seals.

INTERCHANGES: INS-DL-100CR PN16T

## **MATERIALS**

### **Bearing Materials:**

Because of repetitive stresses to the rolling contact areas within a bearing, surface fatigue will occur after some duration of operation depending upon the operating conditions. To maximize to the useful life of a bearing by delaying the onset of material fatigue, the highest possible quality materials are used in bearing production with the following properties:

- High Levels of Hardness
- High Rolling Contact Fatigue Resistance
- Good Wear Resistance
- Good Mechanical Strength

The standard material for AMI bearing rings and rolling elements is vacuum-degassed, high-carbon, chrome bearing steel. For applications that operate in wash down or corrosive environments, stainless steel is used.

**Table 1**

<b>Bearing Rings and Balls:</b>	<b>C</b>	<b>Si</b>	<b>Mn</b>	<b>P</b>	<b>S</b>	<b>Cr</b>	<b>Mo</b>
<b>SUJ2 (US Equivalent AISI 52100)</b>	0.95 ~ 1.10	0.15 ~ 0.35	≤ 0.50	≤ 0.025	≤ 0.025	1.30 ~ 1.60	≤ 0.08
<b>SUS440C Stainless Steel</b>	0.95 ~ 1.20	≤ 1.0	≤ 1.0	≤ 0.040	≤ 0.030	16.0 ~ 18.0	≤ 0.75

### **Bearing Protection:**

#### **Black Oxide**

Black Oxide is a uniform finish for ferrous metals. It has an excellent appearance and is abrasion resistant, but only offers limited corrosion protection under mild conditions.

#### **Zinc**

Zinc is the corrosion protection workhorse for the bearing industry. It offers wash down resistance at a price you can afford. We use a zinc with yellow chromate. Protection is provided by presenting a barrier between the bearings base metal and the environment. The specific process we use has a self healing ability where it can still protect the metal when some of the coating has been removed as a result of a scratch or an abrasion.

#### **Kanigen**

Kanigen is a high quality electroless nickel finish that is applied in a liquid chemical bath. The process has a bonding strength up to 60,000 psi, so it won't crack or flake off. It Provides excellent corrosion resistance that is superior to pure nickel and thin dense chrome and comes very close to that found in heat treatable grades of stainless steel.

### **Housing Materials:**

#### **Gray Iron with Nickel Corrosion Resistance**

Our bearing housings are one-piece solid cast iron with a minimum tensile strength of 25,000 psi. They are designed to be able to accommodate the full dynamic and static loading of the bearing inserts they are designed to incorporate. Any of our gray iron housings are available with nickel to impart some corrosion resistance.

#### **Thermoplastic**

Thermoplastic housing materials have become the mainstay for corrosion protection in mounted bearing units. We use a Polybutylene Terephthalate 420 material that has a minimum tensile strength of 17,300 psi, which is 70% the strength of cast iron. Additional information about these housings are on the following page.

#### **Stainless Steel**

This is the ultimate solution in the corrosion resistance product line, by combining maximum durability with corrosion resistance. We use a 304 cast material that has a minimum tensile strength of 73,000 psi.

**TOLERANCES**

**Inner Bearing Ring Bore Tolerances:**

**Table 2**

Nominal Bore Diameter				Tolerance		
Over		Including		Minimum	Maximum	
in.	mm	in.	mm		in.	mm
0.3937	10	0.7087	18	0	+0.0006	+0.015
0.7087	18	1.2500	31.75	0	+0.0007	+0.018
1.2500	31.75	2.0000	50.8	0	+0.0008	+0.021
2.0000	50.8	3.1496	80	0	+0.0009	+0.024
3.1496	80	4.7244	120	0	+0.0011	+0.028
4.7244	120	7.0866	180	0	+0.0013	+0.033

**Bearing Housing Spherical Bore Diameter Tolerances:**

The standard spherical inside diameter of an AMI Bearing Housings is known as a “J7” fit. The dimensional tolerance on spherical inside diameters of housings are classified into an “H7” for clearance fit, “K7” for interference fit, and “J7” for intermediate fit between “H7” and “K7”.

**Radial Internal Clearance:**

AMI uses “C0” radial internal clearance as a standard for all of our insert bearings (-4° to 212°F). AMI offers a wide range of internal clearance ranges for cold and high temperature applications.

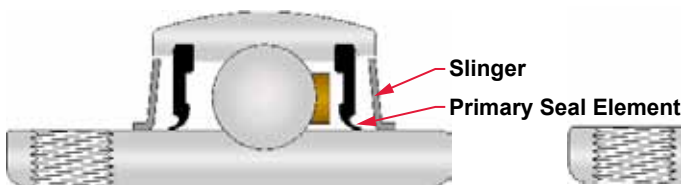
**Recommended Shaft Tolerances:**

**Table 3**

Inch Size Shafting	Metric Size Shafting
Shaft Diameter up to 1-15/16” Nominal to -0.0005”	Shaft Diameter up to 45 mm Nominal to -0.013 mm
Shaft Diameters 2” to 4-7/16” Nominal to -0.0010”	Shaft Diameters 50 mm to 140 mm Nominal to -0.025 mm

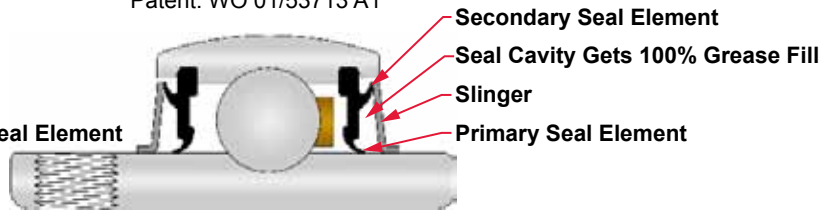
**SEAL DESIGNS**

**Standard Single Lip Seal**



**RF Double Lip Seal**

Patent: WO 01/53713 A1



Our optional RF seal is a patented double-lip contact seal specially designed for high pressure wash down as well as an application that requires maximum sealing efficiency.

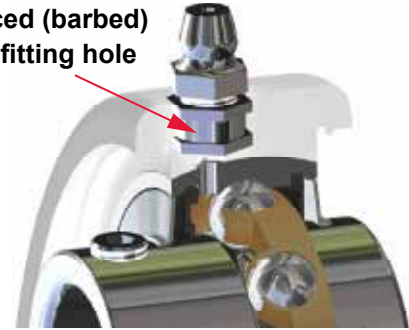
It’s main purpose is to keep moisture and contamination from corroding or damaging the bearings internal components. It is most effective against dirt, sawdust, food particles, and moisture.

The RF seal assembly should prevent contaminants from entering the raceway. Such contaminants can impede movement of the rolling elements and render the bearing assembly ineffective.

**OUR THERMOPLASTIC ADVANTAGES**

- Glass Reinforced Polybutylene Terephthalate (PBT) 420
- Tensile strength of 17,300psi
- Solid base construction
- No scratching, chipping, peeling, or water absorption
- 316 stainless steel seamless support bushings
- Reinforced (barbed) grease fitting hole that is molded into place
- Operating temperature range of -30°F ~ +280°F
- Available from stock in white or black
- Wide range of housing choices
- Directly interchangeable with conventional cast iron housings
- FDA Approved per FDA CFR 177.1660

Reinforced (barbed) grease fitting hole



**Cover Material:**

**Capilene® SR 50**

Polypropylene Impact Copolymer

**Description**

Capilene® SR 50 is a medium flow impact copolymer grade, featuring:

- Good balance between flow and mechanical properties
- Good process ability
- Good impact resistance

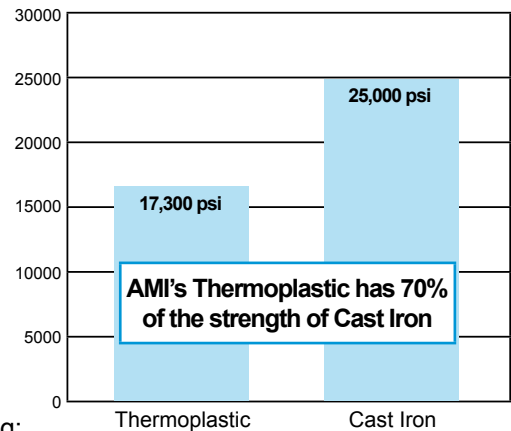
**Quality Standards**

Capilene® SR 50 is manufactured under ISO 9002 Quality Management System

Food Contact Status (FDA Status)

- Complies with the requirements for contact with food particles, as published by the Food and Drug Administration of the United States, in Section 177.1660. European United Status
- Suitable for food contact applications

Thermoplastic vs. Cast Iron Tensile Strength

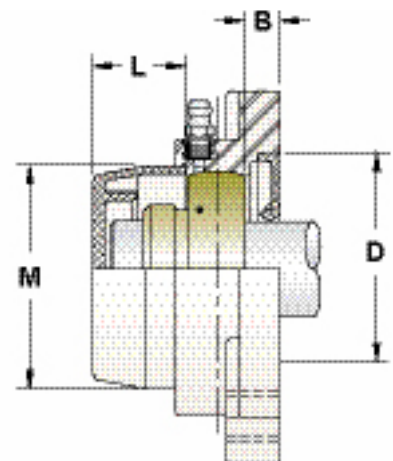


**Thermoplastic Cover Dimensions:**

Table 4

Shaft Diameter		Dimensions (mm)			
mm	in.	L	M	D	B
12	1/2	23	50	52	6
15	5/8	23	50	52	6
17	-	23	50	52	6
20	3/4	23	50	52	6
25	7/8, 15/16, 1	25	55	62	6
30	1-1/16, 1-1/8, 1-3/16, 1-1/4	30	64	72	6
35	1-1/4, 1-5/16, 1-3/8, 1-7/16	32	74.5	82	6
40	1-1/2, 1-9/16	37	84	88	6
45	1-5/8, 1-11/16, 1-3/4	41	89	93	6
50	1-7/8, 1-15/16, 2	47	94	98	6

Thermoplastic covers are available for the following ring sizes: 204-210 (for all housings)  
 Back seals available for the following ring sizes: 204-210 (for PPL, FPL, FBL, and NFL)



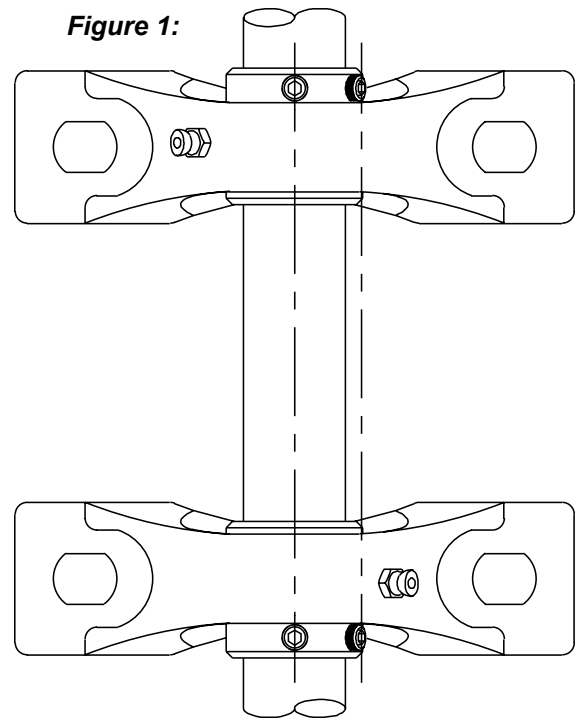
Thermoplastic Housing Breaking Point Test (lbf.)									
Mode of Load		203	204	205	206	207	208	209	210
PPL			1,978	3,080	2,844	2,866	2,945	3,003	3,113
			1,731	2,448	2,383	2,428	2,495	2,562	2,641
			1,124	1,821	1,292	1,686	1,910	2,012	2,146
TBL			1,846	1,920	2,330	2,730	2,748	2,900	
			1,551	1,575	1,480	1,818	2,045	2,338	
			670	640	1,110	1,830	2,202	2,407	
NFL			2,642	2,557	3,698	3,799	3,900	3,956	4,035
			2,473	3,114	3,001	3,136	3,159	3,214	3,270
			1,910	2,495	3,192	3,350	3,409	3,450	3,518
LF/LX		1,800	1,890	1,980					
		1,750	1,910	2,070					
		1,170	1,416	1,935					
FBL			1,620	2,050	2,745	2,900			
			2,070	2,500	2,655	2,680			
			585	630	651	700			
FPL			3,585	2,922	4,046	4,159	4,294	4,350	4,417
			2,304	2,731	3,979	4,159	4,328	4,350	4,410
			821	753	753	791	852	865	896
TPL/NTPL/WTPL			3,325	3,485	3,550	3,710	3,890		
			880	1,020	1,150	1,460	1,755		
			1,910	2,325	2,450	2,540	2,735		
HPL			3,325	3,485	3,550	3,710			
			880	1,020	1,150	1,460			
			1,910	2,325	2,450	2,540			

Thermoplastic Housing Mounting Bolts							
Housing Size	204	205	206	207	208	209	210
Bolt Diameter / in. (mm)	3/8 (M10)	3/8 (M10)	1/2 (M12)	1/2 (M12)	1/2 (M12)	5/8 (M16)	5/8 (M16)
Maximum Tightening Torque / ft.-lbs.	13	18	22	25	33	36	40

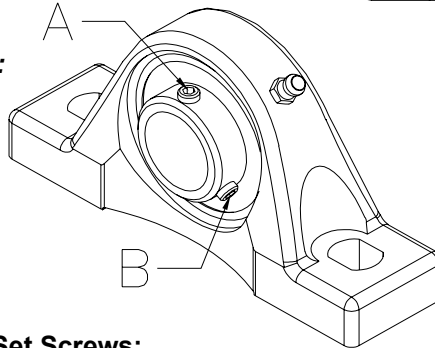
**BEARING MOUNTING**

**Set Screw Locking:**

1. Inspect the shaft
  - Measure the shaft to ensure it is within recommended tolerances per Table 3 on page 90:
  - Check for any nicks or burrs that might prevent the bearing from sliding on the shaft easily
  - Clean the mounting surface, then apply a film of light weight oil
2. Place the bearing on the shaft
  - Do not hammer the bearing onto the shaft
3. Bolt the housing to the mounting surface
  - The bearing and shaft must be aligned within 2°
  - Rotate the shaft to ensure it rotates smooth and freely
  - It is expected that plain washers will be used under mounting bolt heads to span the slot width
4. Align the set screws of the bearings at both ends of the shaft
  - See Figure 1
5. Alternate tightening of set screws
  - Tighten set screw “A” half of the recommended tightening torque (Figure 2)
  - Tighten set screw “B” all the way to the recommended tightening torque (Figure 2) per Table 5
  - Go back to set screw “A” and tighten it all the way to the recommended tightening torque with a variable torque wrench per Table 5



**Figure 2:**



**Recommended Tightening Torque of Set Screws:**

**Table 5**

Applicable Bearing #				Recommended Tightening Torque (in-lb)	
				zone hardened inner ring	through hardened inner ring
			B1~B3		21
			B4	22	
MUC201~MUC206	UC201~UC203	UC305~UC306	UCX05		35
	UC204~UC206			B5~B6	43
MUC207~MUC209		UC307	UCX06~UCX08		74
	UC207~UC209			B7~B8	104
MUC210~MUC213		UC308~UC309	UCX09~UCX12		143
	UC210~UC213				208
	UC217~UC218	UC310~UC316	UCX13~UCX18		247
	UC214~UC216				347
		UC317~UC324	UCX20		590
		UC326~UC328			998

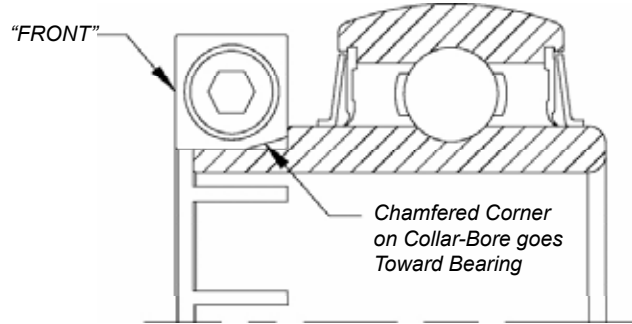
Reference Through-Hardened Tightening Torque Specifications for Stainless Steel Inserts

**BEARING MOUNTING (continued)**

**Accu-Loc Concentric Locking Collar:**

1. Inspect the Shaft
  - Measure the shaft to ensure it is within recommended tolerances per Table 3 on page 90:
  - Check for any nicks or burrs that might prevent the bearing from sliding on the shaft easily
  - Clean the mounting surface, then apply a film of light weight oil

**Figure 3:**



2. Place the bearing on the shaft
  - Do not hammer the bearing onto the shaft
3. Bolt the housing to the mounting surface
  - The bearing and shaft must be aligned within 2°
  - Rotate the shaft to ensure it rotates smooth and freely
  - It is expected that plain washers will be used under mounting bolt heads to span the slot width
4. Fasten the unit to the shaft
  - Place the locking collar on the tangs of the inner bearing ring with the chamfered corner on the bore of the collar toward the bearing. The collar is stamped with the word "FRONT", this should be facing away from the bearing and readable to the installer
  - Tighten the capscrew to the recommended tightening torque per Table 6 using the variable torque wench

**Recommended Tightening Torque of Accu-Loc Cap Screws:**

**Table 6**

Applicable Bearing #	Recommended Tightening Torque (in-lb)	
	Black Oxide Finish	Kanigen Corrosion Resistant
UE204-206	70	30
UE207-208	90	45
UE209	90	—
UE210-211	180	—
UE212	400	—



**LUBRICATION**

**Proper lubrication is essential for adequate bearing life! A bearing cannot survive without it.**

**AMI Standard Lubricants:**

AMI Bearings have an initial fill of lubricant when we manufacture them, therefore it is not necessary to lubricate prior to their initial operation. Below is a list of our standard used lubricants and their basic physical properties.

**Table 7**

APPLICATION	General Purpose	High Temperature		Cold Temperature	Free Spinning		Food Grade
PRODUCT NAME	Shell Alvania #3	Yuken Super-Lube #3	Kluber Noxlub BF4026	Shell AeroShell #7	Mobil Velocite 10	Amsoil AM-1	Citgo Clarion HTEP 2
<b>PHYSICAL PROPERTY</b>							
Lubricant Type	Grease	Grease	Grease	Grease	Oil	Grease	Grease
Color	Amber	-	White	Amber	-	Red	Off-White
NLGI Grade	3	3	2	2	N/A	1	2
Thickener Type	Lithium	Calcium Complex	PTFE	Microgel	N/A	Lithium Complex	Aluminum Complex
Base Oil Type	Mineral Oil	Mineral Oil	PFPE	Synthetic Diester	Mineral Oil	PAO + Ester	Mineral Oil
Base Oil Viscosity @ 40°C	98 cSt	-	390 cSt	10.3 cSt	22 cSt	130 cSt	954 cSt
Base Oil Viscosity @ 100°C	9.4 cSt	-	39 cSt	3.1 cSt	4 cSt	16.5 cSt	101 cSt
Operating Temperature Range	-13°F ~ 265°F (-25°C ~ 130°C)	-4°F ~ 400°F (-20°C ~ 200°C)	-20°F ~ 500°F (-30°C ~ 260°C)	-100°F ~ 300°F (-70°C ~ 150°C)	-20°F ~ 250°F (-30°C ~ 120°C)	-40°F ~ 425°F (-70°C ~ 150°C)	-10°F ~ 325°F (-12°C ~ 160°C)

We have many other lubricants available as well, including several solid lubricant choices. Additionally, we can change the grease in most of our bearings to anything you specify. Consult with AMI for recommendations.

**Relubrication Intervals:**

**Table 8**

Bearing Operating Temperature	Environmental Condition		
	Clean	Dirty	Washdown or Extremely Dirty
°F			
Up to 122	12 months	6 months	3 months
Up to 158	6 months	2 months	1 month
Up to 212	3 months	2 weeks	1 week
Up to 248	6 weeks	1 week	3 days
Up to 302	2 weeks	3 days	daily

**LUBRICATION (continued)**

**Compatibility:**

Beware of Mixing Greases!

When two incompatible greases are mixed, either one of two things can happen. Either the mixture hardens and will not release any of the oil or the opposite effect; the mixture softens and releases all of the oil.

In either case, the end result is basically the same; there is no means to effectively lubricate the bearing.

Two good greases, when mixed together can make one very bad grease!

It is recommended to use the same type of grease that was originally supplied with the bearing. When changes in grease type are necessary, please consult your lubricant supplier or AMI engineering staff to determine the compatibility of the mixture

**Table 9**

<b>C = Compatible</b> <b>B = Borderline</b> <b>I = Incompatible</b>	Aluminum Complex	Barium	Bentonite Clay	Calcium	Calcium 12-Hydroxy	Calcium Complex	Calcium Sulfonate	Lithium	Lithium 12-Hydroxy	Lithium Complex	Polyurea	Sodium
	Aluminum Complex	<b>C</b>	<b>I</b>	<b>I</b>	<b>I</b>	<b>C</b>	<b>I</b>	<b>B</b>	<b>I</b>	<b>I</b>	<b>C</b>	<b>I</b>
Barium	<b>I</b>	<b>C</b>	<b>I</b>	<b>I</b>	<b>C</b>	<b>I</b>	<b>B</b>	<b>I</b>	<b>I</b>	<b>I</b>	<b>I</b>	<b>I</b>
Bentonite Clay	<b>I</b>	<b>I</b>	<b>C</b>	<b>C</b>	<b>C</b>	<b>I</b>	<b>B</b>	<b>I</b>	<b>I</b>	<b>I</b>	<b>I</b>	<b>I</b>
Calcium	<b>I</b>	<b>I</b>	<b>C</b>	<b>C</b>	<b>C</b>	<b>B</b>	<b>I</b>	<b>C</b>	<b>B</b>	<b>B</b>	<b>I</b>	<b>I</b>
Calcium 12-Hydroxy	<b>C</b>	<b>C</b>	<b>C</b>	<b>C</b>	<b>C</b>	<b>B</b>	<b>B</b>	<b>C</b>	<b>C</b>	<b>C</b>	<b>I</b>	<b>I</b>
Calcium Complex	<b>I</b>	<b>I</b>	<b>I</b>	<b>B</b>	<b>B</b>	<b>C</b>	<b>C</b>	<b>I</b>	<b>I</b>	<b>C</b>	<b>C</b>	<b>I</b>
Calcium Sulfonate	<b>B</b>	<b>B</b>	<b>B</b>	<b>I</b>	<b>B</b>	<b>C</b>	<b>C</b>	<b>C</b>	<b>C</b>	<b>C</b>	<b>B</b>	<b>I</b>
Lithium	<b>I</b>	<b>I</b>	<b>I</b>	<b>C</b>	<b>C</b>	<b>I</b>	<b>C</b>	<b>C</b>	<b>C</b>	<b>C</b>	<b>I</b>	<b>B</b>
Lithium 12-Hydroxy	<b>I</b>	<b>I</b>	<b>I</b>	<b>B</b>	<b>C</b>	<b>I</b>	<b>C</b>	<b>C</b>	<b>C</b>	<b>C</b>	<b>I</b>	<b>I</b>
Lithium Complex	<b>C</b>	<b>I</b>	<b>I</b>	<b>B</b>	<b>C</b>	<b>C</b>	<b>C</b>	<b>C</b>	<b>C</b>	<b>C</b>	<b>I</b>	<b>B</b>
Polyurea	<b>I</b>	<b>I</b>	<b>I</b>	<b>I</b>	<b>I</b>	<b>C</b>	<b>B</b>	<b>I</b>	<b>I</b>	<b>I</b>	<b>C</b>	<b>I</b>
Sodium	<b>I</b>	<b>I</b>	<b>I</b>	<b>I</b>	<b>I</b>	<b>I</b>	<b>I</b>	<b>B</b>	<b>I</b>	<b>B</b>	<b>I</b>	<b>C</b>

**LOAD CAPACITY AND LIFE OF BEARINGS**

Bearing “Life” is defined as the number of revolutions and or hours at a given speed, which the bearing runs before the first evidence of fatigue develops in the material of either ring or of any of the rolling elements.

Basic Dynamic Load Rating, Cr: The constant stationary radial load which a rolling bearing could theoretically endure for a basic rating life of one million revolutions.

Basic Static Load Rating, Cor: A load acting on a non-rotating bearing. Maximum load that can be applied to the bearing without permanently damaging the bearing.

The rating life of ball bearings is calculated using the following formulas:

$$L_{10} = \left(\frac{C}{P}\right)^3$$

$$L_{10h} = \left(\frac{C}{P}\right)^3 \times \frac{10^6}{60 \times n}$$

Where:

$L_{10}$  : Rated Bearing Life in millions of revolutions

$L_{10h}$  : Rated Bearing Life in operating hours

$C$  : The bearings basic dynamic load rating in lbf or kgf

$P$  : The equivalent applied radial load in lbf or kgf

$n$  : Shaft speed in RPM

Additionally an adjusted rating life can be determined using the following formula:

$$L_{10a} = a_1 \times a_2 \times a_3 \times L_{10}$$

**a<sub>1</sub> Reliability Factor:**

This is an adjustment factor where estimated fatigue life other than 90% is desired.

**Table 10**

RELIABILITY %	$L_{na}$	$a_1$
99	$L_1$	0.21
98	$L_2$	0.33
97	$L_3$	0.44
96	$L_4$	0.53
95	$L_5$	0.62
90	$L_{10}$	1
50	$L_{50}$	5

**a<sub>2</sub> Material Factor:**

AMI Bearings, Inc. uses AISI 52100 high chromium bearing steel or SUS 440C stainless steel for our rolling elements and bearing rings. A factor of 1.0 is used for these materials. If a reduction in material hardness is expected due to high operating temperatures, a reduced a<sub>2</sub> factor should be used. Consult with AMI engineers in these situations.

**a<sub>3</sub> Operating Condition Factor:**

This factor should take into account the adequacy of lubrication, presence of contamination, and unusual loading or mounting conditions.

Values less than 1.0 should be considered when the kinematic viscosity of the lubricant is less than 13 cSt at the operating temperature or when the rotational speed is exceptionally low.

Values greater than 1.0 can only be considered when the lubrication conditions are so favorable that the probability of failure caused by surface distress is greatly reduced.

Insert bearings are normally mounted on a shaft with a loose fit and rely on features such as inner bearing width and a locking device, the “American Bearing Manufacturers Association (ABMA)” recommends an a<sub>3</sub> factor of 0.456.

**Consult with AMI engineers for proper selection of these life adjustment factors.**

<b>Prices &amp; Acceptance</b>	All orders are for prompt acceptance only by the company's home office. In the event of an increase or decrease in company prices, the price on any order or contract will be the one in effect at time of shipment.
<b>Taxes</b>	Any sales, use, consumption or other tax applicable to the sale, purchase or use of the products is not included in the price shown on this order and shall be paid by the purchaser whenever due.
<b>Terms</b>	Payment terms are net cash within 30 days from date of invoice. All orders are subject to the approval of our credit department.
<b>Minimum Charge</b>	NO MINIMUM
<b>Parcel Post</b>	All goods shipped by parcel post will be insured and postal charges will be added to the invoice.
<b>Shipments</b>	Shipments will be routed to incur the lowest available transportation charges. All premium rate shipping services, express (air or rail), air freight, etc., will be utilized when the customer so specifies. The necessary extra charges will be added to our invoice to cover those premium services. If such shipments would normally qualify for prepayment of transportation charges by reason of products \$2500 or more, our invoice will reflect a deduction equal to the lowest obtainable transportation cost with excess prepaid charges added. All shipments, unless otherwise specified, are F.O.B. factory. Claims for all shortages, damage or non-delivery in transit shall be made by the consignees to the carrier. Request for proof of delivery must be submitted within 90 days from the date of shipment.
<b>Freight Allowance</b>	Freight will be allowed on one shipment to one destination of \$2500 or more net, F.O.B. factory.
<b>Export Shipments</b>	Transportation charges on export shipments will be prepaid to any United States port of exit if said shipment complies with our standard of domestic condition for freight allowance.
<b>Deliveries &amp; Cancellations</b>	All orders are considered firm contracts. If we are unable to meet requested delivery requirements, and/or our expected dates of shipment, we shall not be liable for any claims for delays beyond our control, nor shall we accept cancellation or suspension unless mutually agreed upon in writing.
<b>Packaging</b>	We do not add extra charges for standard packing required by transport companies for domestic or non-ocean shipments. Additional charges may be applied to cover the cost of extra packing, special engineering, servicing or other unusual elements, including overtime authorized by purchaser, which have not been contemplated.
<b>Export Packaging</b>	Price on application.
<b>Patents</b>	We will defend and hold harmless purchasers of our products against charges of infringement or apparatus claims of the United States Patents issued at the time the product is ordered, providing such charges are based exclusively on mechanical infringement by a product designed and manufactured by us. Before this responsibility shall arise, we must be notified in writing and tendered the right to defend, settle or make any changes for the purpose of avoiding infringements. Under no circumstance will our liability exceed the purchase price of the product furnished by us.

**NOTE: AN AUTHORIZED RMA FORM MUST ACCOMPANY ALL RETURNS**

RETURNED MATERIALS - No goods will be accepted for return unless written authorization is issued from AMI Bearings, Inc. Goods that are returned for any reason other than defective material will be subject to inspection to ensure items are in a resalable condition. A 15% restocking fee plus freight costs will be deducted from the credit.

- The product must be shipped prepaid to our main facility located at 570 N. Wheeling Rd., Mt. Prospect, IL
- The total allowable value of your corporate return will be 10% of your previous calendar year purchase. An offsetting order of equal value is required.
- A product that is 2+ years old will not be accepted for return (reference original purchase order).

AMI WARRANTS THAT THE MERCHANDISE SOLD BY IT HEREUNDER SHALL BE FREE FROM DEFECTS IN MATERIAL AND WORKMANSHIP FOR A PERIOD OF ONE (1) YEAR FROM THE DATE OF SHIPMENT OF THE GOODS BY AMI. THIS IS THE SOLE AND EXCLUSIVE WARRANTY GIVEN BY AMI WITH RESPECT TO THE GOODS AND IS IN LIEU OF AND EXCLUDES ALL OTHER WARRANTIES, EXPRESS OR IMPLIED, ARISING BY OPERATION OF LAW OR OTHERWISE, INCLUDING WITHOUT LIMITATION, MERCHANTABILITY OR FITNESS FOR A PARTICULAR PURPOSE WHETHER OR NOT THE PURPOSE OR USE HAS BEEN DISCLOSED TO AMI IN SPECIFICATIONS, DRAWINGS OR OTHERWISE, AND WHETHER OR NOT AMI PRODUCTS ARE SPECIFICALLY DESIGNED AND/OR MANUFACTURED BY AMI FOR BUYER'S USE OR PURPOSE.

THIS WARRANTY DOES NOT EXTEND TO ANY LOSSES OR DAMAGES DUE TO MISUSE, ACCIDENT, ABUSE, NEGLIGENCE, NORMAL WEAR AND TEAR, UNAUTHORIZED MODIFICATION OR ALTERATION, USE BEYOND RATED CAPACITY, OR IMPROPER INSTALLATION, MAINTENANCE OR APPLICATION. TO THE EXTENT THAT BUYER OR ITS AGENTS HAS SUPPLIED SPECIFICATIONS, INFORMATION, REPRESENTATION OF OPERATING CONDITIONS OR OTHER DATA TO AMI IN THE SELECTION OR DESIGN OF THE GOODS AND THE PREPARATION OF AMI'S QUOTATION, AND IN THE EVENT THAT ACTUAL OPERATING CONDITIONS OR OTHER CONDITIONS DIFFER FROM THOSE REPRESENTED BY BUYER, ANY WARRANTIES OR OTHER PROVISIONS CONTAINED HEREIN WHICH ARE AFFECTED BY SUCH CONDITIONS SHALL BE NULL AND VOID. IF WITHIN THIRTY (30) DAYS AFTER BUYER'S DISCOVERY OF ANY WARRANTY DEFECTS WITHIN THE WARRANTY PERIOD, BUYER NOTIFIES AMI THEREOF IN WRITING, AMI SHALL, AT ITS OPTION, REPAIR, OR REPLACE OR REFUND THE PURCHASE PRICE FOR THAT PORTION OF THE GOODS FOUND BY AMI TO BE DEFECTIVE. FAILURE BY BUYER TO GIVE SUCH WRITTEN NOTICE WITHIN THE APPLICABLE TIME PERIOD SHALL BE DEEMED AN ABSOLUTE AND UNCONDITIONAL WAIVER OF BUYER'S CLAIM FOR SUCH DEFECTS. BUYER ASSUMES ALL OTHER RESPONSIBILITY FOR ANY LOSS, DAMAGE, OR INJURY TO PERSONS OR PROPERTY ARISING OUT OF, CONNECTED WITH, OR RESULTING FROM THE USE OF GOODS, EITHER ALONE OR IN COMBINATION WITH OTHER PRODUCTS/COMPONENTS.

IT IS EXPRESSLY UNDERSTOOD THAT ANY TECHNICAL ADVICE FURNISHED BY AMI WITH RESPECT TO THE USE OF THE GOODS IS GIVEN WITHOUT CHARGE, AND AMI ASSUMES NO OBLIGATION OR LIABILITY FOR THE ADVICE GIVEN, OR RESULTS OBTAINED, ALL SUCH ADVICE BEING GIVEN AND ACCEPTED AT THE BUYER'S RISK. AMI BEARINGS, INC.

# AMI's mounted ball bearing line is second to none

Many companies offer lines of mounted ball bearing units and inserts, but AMI's line is unique in its breadth of line, availability of options and the widest selection of locking devices.

Unlike those other companies, AMI offers this extensive product line as "standard." Every bearing is custom-assembled to your exact specifications. So you get the bearing you need with the right type of locking device, lubricant, seals and rings. In fact, we have tens of thousands of possible mounted ball bearing configurations for you to choose from.

## We don't stop there

AMI offers a wide range of bearings suitable for virtually any application - from general industry, food and corrosion protection, to free spinning, air movement and high or low temperatures. While certain applications require specific options, most AMI options are suitable for any application.

When you place your order by 4:00pm Central Time, Monday - Friday, we normally ship your bearings the same day. Expedited delivery options are available. Highly specialized configurations and large volume orders may take additional time. Compare this to other companies where their "specials" could take weeks. Or months!

# We've set a new standard for what's "standard" in mounted ball bearings

## HOUSING STYLES

- PILLOW BLOCK
- Standard Base
  - Low Base
- Tapped Base
  - Pedestal Base
  - Expansion
- FLANGED
- 2, 3, 4 Bolt
- Piloted
- TAKE-UP
- Wide Slot
- Narrow Slot
  - CARTRIDGE (cylindrical)
- HANGER
  - BOLT HOLE OPTIONS
- Elongated
- Drilled (round)
- Carriage (square)
- RELUBRICATION
- 1/4-28 UNF Fitting
- 1/8" NPT Fitting
- Customer specified
- Non-relubricatable

## HOUSING MATERIALS

- CAST GRAY IRON
- CAST MALLEABLE IRON
- CAST STAINLESS STEEL
- PRESSED STEEL
- PRESSED STAINLESS STEEL
- THERMOPLASTIC
- RUBBER
- ZDC ALLOY

## MATERIAL PROTECTION

- ZINC (Insert)
- KANIGEN (Insert)
- BLACK OXIDE (Insert)
- NICKEL (Housing)
- TEFLON (Housing)

## LOCKING DEVICES

- SET SCREW
- ECCENTRIC COLLAR
- ACCU-LOC® CONCENTRIC COLLAR
- TAPERED BORE ADAPTER
- HIGH TEMP FLOAT

# Exploring your options

You can find out more information on the options shown on these pages by referring to the color coded sources shown below. Copies of these catalogs are available by using the QR codes shown, the URL's provided, or by contacting a member of the AMI sales team.

## SERIES

- LIGHT
- NORMAL
- MEDIUM
- HEAVY

## SAFETY COVERS

- THERMOPLASTIC  
Open and closed  
In white, black or OSHA orange
- PRESSED STEEL  
Open and closed
- PRESSED STAINLESS STEEL  
Open and closed
- CAST IRON  
Open and closed

## INSERTS

- WIDE INNER RING
- NARROW INNER RING
- EXTRA NARROW INNER RING
- SPHERICAL OUTER RING
- CYLINDRICAL OUTER RING
- RELUBRICATABLE
- NON-RELUBRICATABLE

## INSERT MATERIALS

- AISI 52100 STEEL  
Zone hardened inner rings
- 440 STAINLESS STEEL  
Through-hardened inner rings

## SEALS

- SINGLE LIP
- DOUBLE LIP
- PATENTED RF DOUBLE LIP
- TRIPLE LIP
- FREE SPIN NON-CONTACT
- HIGH/LOW TEMPERATURE SILICONE
- SHUR-SEAL™

## ADDITIONAL MACHINING & SERVICES

- CUSTOM POSITIONED GREASE FITTINGS
- DIMENSIONAL ALTERATIONS  
If you don't see what you need done in one of our catalogs, ask us
- CUSTOM HOUSING COLORS

## LUBRICATION

- GENERAL PURPOSE LITHIUM
- FOOD GRADE
- HIGH TEMPERATURE
- LOW TEMPERATURE
- LOW VISCOSITY
- FREE SPIN
- CUSTOMER SPECIFIED



**For More Information**  
**AMI Corrosion Protection Mounted Ball Bearing Units Catalog**

<http://www.amibearings.com/pdf/corrosioncatalog.pdf>



**For More Information**  
**AMI Mounted Ball Bearing Units Catalog**

<http://www.amibearings.com/pdf/mountedcatalog.pdf>

# Your AMI sales team can deliver more than you realize

If you have purchased AMI mounted ball bearings you know you usually can expect shipment of the exact bearing you need within 24 hours when you place your order by 4:00pm Central Time, Monday - Friday.

What you may not know is that you can call 800.882.8642 any day, any time and ask for our Expedited Delivery Service when your needs are even more urgent. When you need this service, we'll do our very best to get you the bearings you need as rapidly as possible.\*

What you also may not know is how we can do this. It's simple. Instead of stocking assembled bearings, we stock components in our strategic network of AMI and sales team warehouses in North America.

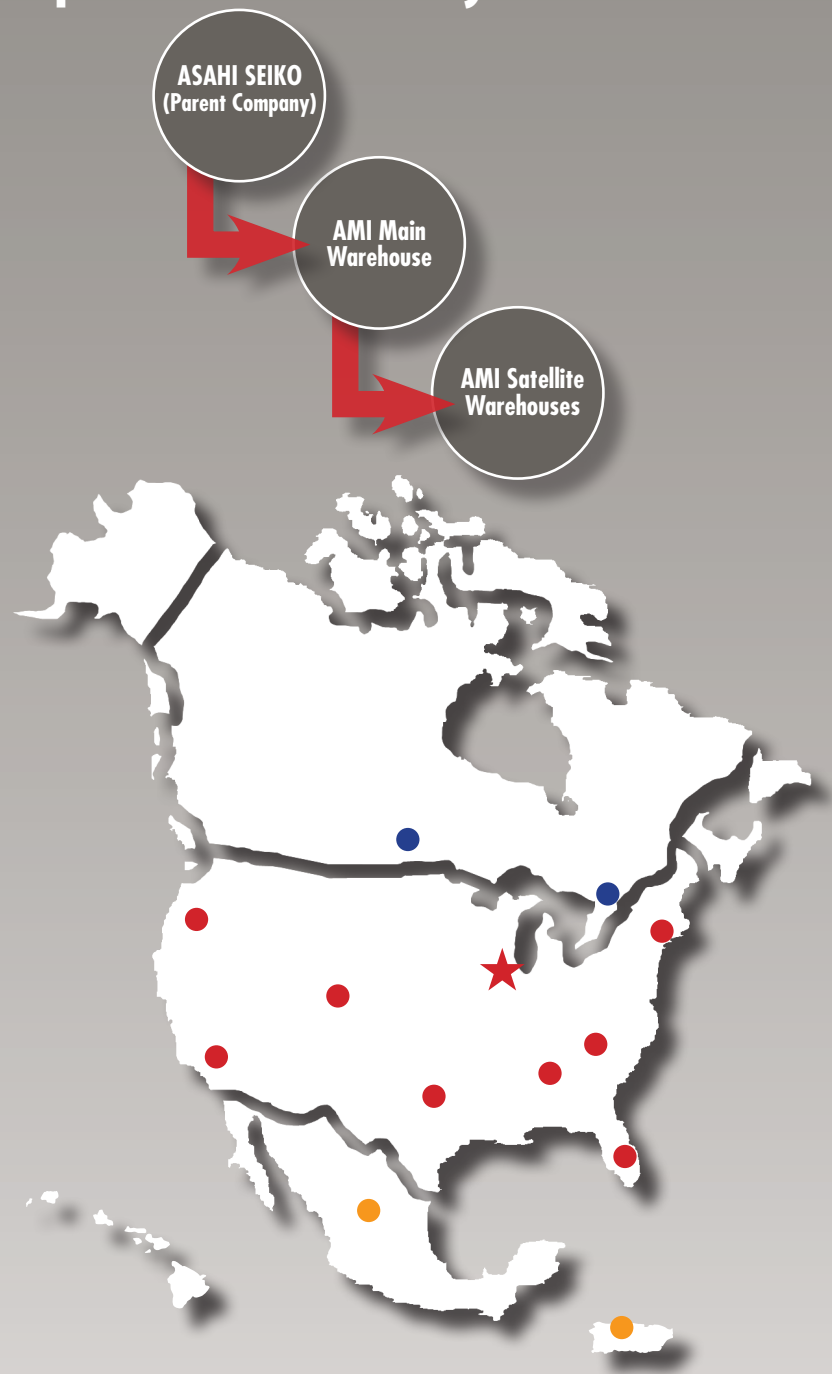
## When you place an order, we go to work

There's a whole lot more your AMI sales team can do for you. They are part of a continent wide network that can provide a range of services to help you achieve the highest possible productivity. It could be an analysis of your bearing usage and maintenance. Or troubleshooting a particular bearing problem. Or suggesting an alternative type of bearing to save you money, or improve performance. Maybe you need a logistics program to ensure orders arrive on a timely basis. Or possibly you need technical assistance with a new application.

Working together with AMI technical services, your AMI sales team is the key to maintaining the efficiency and productivity of your mounted ball bearing applications.

*\*Expedited Delivery is available in most areas. Delivery methods may vary. Additional fees may apply.*

## Exceptional support & product availability



AMI's MULTI-MILLION DOLLAR inventory is warehoused across North America for rapid response to meet your most demanding delivery requirements.

★ AMI North American Headquarters/Warehouse

● USA Stocking Warehouses

● Canadian Stocking Warehouses

● Also serviced by AMI Warehouses



### For more information

Clip and mail, or fax to 847.759.0630, or access our on-line resources

To: _____ _____ _____ _____	Date: _____ Attn: _____ Ship via: _____
(Phone # required for all Canada shipments)	



AMI Bearings, Inc.  
 570 North Wheeling Road  
 Mt. Prospect, IL 60056  
 Phone: 847.759.0620  
 Toll Free: 800.882.8642  
 Fax: 847.759.0630  
[www.amibearings.com](http://www.amibearings.com)

Item:	Qty:
<b>Catalogs</b>	
Corrosion Protection Mounted Ball Bearing Units	_____
Mounted Ball Bearing Units	_____
<b>Brochures &amp; Flyers</b>	
Product Overview	_____
Corrosion Protection Mounted Ball Bearing Units	_____
Air Movement Bearing Units	_____
Free Spinning Bearing Inserts	_____
Heavy Duty Mounted Units	_____
High Temperature Units	_____
Locking Devices	_____
Corrosion Bearings with RF Seal	_____
Safety Concerns	_____
Seal Options	_____
Shur-Seal™ Bearing Protection System	_____
Underwater Self-Lubricating Bearings	_____

### All literature is available on our website at: [www.amibearings.com](http://www.amibearings.com)



#### AMI On-line Literature Library

A complete library of AMI's literature in pdf form can be accessed using this QR code or this URL. It is recommended that you check back often, as AMI's literature library is being continuously updated.



<http://www.amibearings.com/literature.html>



#### AMI On-line Literature Order Form

Just like the form above, but a lot faster. Use this QR code or this URL, specify the literature items you need, how many, and we'll get them right out to you.



[http://www.amibearings.com/literature\\_request.html](http://www.amibearings.com/literature_request.html)



AMI Bearings, Inc.  
570 North Wheeling Road  
Mt. Prospect, IL 60056  
Phone: 847.759.0620  
Toll Free: 800.882.8642  
Fax: 847.759.0630  
[www.amibearings.com](http://www.amibearings.com)

Copyright © 2016 AMI Bearings, Inc.  
Printed in USA  
Form Number: CPMBBU 05-16

We are continually adding new options.  
Check with your AMI sales team for  
the latest version of this catalog.

