

# Belt Drives, Sheaves and Couplings



# TB Wood's

TB Wood's is an industry leading designer and manufacturer of mechanical power transmission equipment for industrial control. Our mechanical product lines include: clutch and brake, synchronous and belted variable speed drives; grid, disc, jaw, gear coupling and elastomeric coupling products; sheaves and bushings. Registered trademarks include Sure-Flex Plus®, Dura-Flex®, G-Flex®, and Sure-Grip®.

TB Wood's was founded in 1857 and began as a foundry producing wood burning stoves. Our company's tradition of product innovation started early. TB Wood's entered the power transmission industry at the turn of the century with the introduction of flat belted drives and line shafting.

VISIT US ON THE WEB AT  
**TBWOODS.COM**



# Altra Industrial Motion

Altra is a leading global designer and manufacturer of quality power transmission and motion control products utilized on a wide variety of industrial drivetrain applications. Altra clutches and brakes, couplings, gearing and PT component product lines are marketed under the industries most well known manufacturing brands. Each brand is committed to the guiding principles of operational excellence, continuous improvement and customer satisfaction. Highly-engineered Altra solutions are sold in over 70 countries and utilized in a variety of major industrial markets, including food processing, material handling, packaging machinery, mining, energy, automotive, primary metals, turf and garden and many others.

Altra's leading brands include **Ameridrives**, **Bauer** Gear Motor, **Bibby** Turboflex, **Boston** Gear, **Delroyd** Worm Gear, **Formsprag** Clutch, **Guardian** Couplings, **Huco**, **Industrial** Clutch, **Inertia** Dynamics, **Kilian**, **Lamiflex** Couplings, **Marland** Clutch, **Matrix**, **Nuttall** Gear, **Stieber**, **Stromag**, **Svendborg** Brakes, **TB Wood's**, **Twiflex**, **Warner** Electric, **Warner** Linear and **Wichita** Clutch.

VISIT US ON THE WEB AT **ALTRAMOTION.COM**



# Table Of Contents

Section	Pages	
<b>A1</b>	<b>Sure-Grip™ Bushings (Inch Hardware)</b>	Standard QD ..... 1-7 “L” Flangeless..... 8-9 Short QD Type ..... 10-11 Tensioners for Idlers ..... 12 Idler Bushings..... 13 Installation Instructions ..... 14
<b>A2</b>	<b>Sure-Grip™ Bushings (Metric Hardware)</b>	Standard QD ..... 1-4 “L” Flangeless..... 5 Installation Instructions ..... 6
<b>B1</b>	<b>V-Belt Drives (Narrow)</b>	3V, 5V & 8V Sheaves ..... 1-10 3V, 5V & 8V Belts ..... 11-13 Drive Selection Data ..... 14-21 Pre-Engineered Selections ..... 22-61 Basic Horsepower Tables..... 62-69 Made-to-Order Sheaves..... 70
<b>B2</b>	<b>V-Belt Drives (Classical)</b>	A, B, C & D Sheaves ..... 1-12 A, B, C & D Belts ..... 13-22 Drive Selection Data ..... 23-29 Pre-Engineered Selections ..... 30-85 Basic Horsepower Tables..... 86-99
<b>B3</b>	<b>V-Belt Drives (Light Duty)</b>	AK, 2AK, BK & 2BK Sheaves..... 1-7 2L, 3L, 4L & 5L Belts ..... 8-9 Ratio Combinations ..... 10-21 Horsepower Ratings..... 22-23 Design Data ..... 24-28
<b>B4</b>	<b>V-Belt Drives (Poly-V)</b>	Sheaves ..... 1-4
<b>B5</b>	<b>Flat and Crowned Pulleys</b>	Sure-Grip Pulleys ..... 1-3 Made-to-Order Sheaves and Pulleys ..... 4-6
<b>BEV</b>	<b>V-Belt Drives – Engineering Data</b>	..... 1-16
<b>C1</b>	<b>Synchronous Belt Drives</b>	5M, 8M, 14M & 20M Sprockets..... 1-13 5M, 8M, 14M & 20M Belts..... 14-17 Drive Selection Data ..... 18-23 Pre-Engineered Selections ..... 24-53 Basic Horsepower Tables..... 54-63
<b>C2</b>	<b>QT Power Chain® Belt Drives</b>	8M & 14M Sprockets ..... 1-5 8M & 14M Belts ..... 6-8 Drive Selection Data ..... 9-14 Pre-Engineered Selections ..... 16-33 Basic Horsepower Tables..... 34-38
<b>C3</b>	<b>Timing Belt Drives</b>	XL, L, H, XH & XXH Sprockets ..... 1-10 XL, L, H, XH & XXH Belts..... 11-15 Cotton Cleaner Drives ..... 16-17

(Continued on next page.)

# Table Of Contents

(Continued)

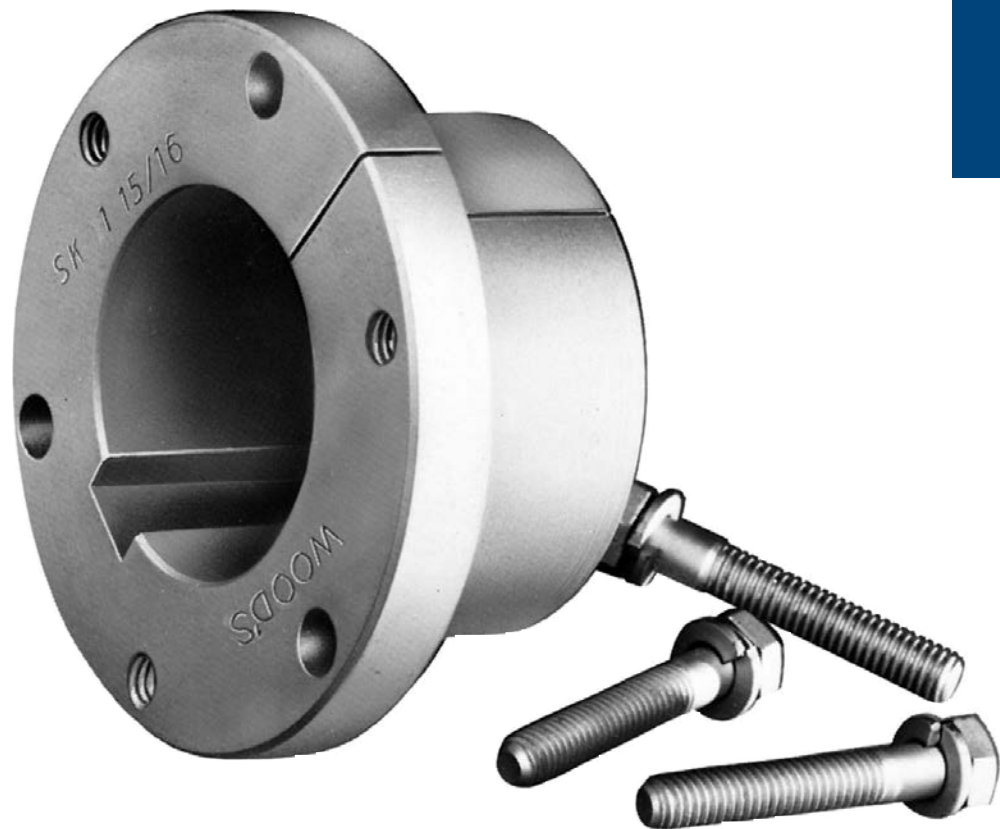
Section	Pages
<b>CES</b>	<b>Synchronous Drive – Engineering Data</b> ..... 1-7
<b>D1</b>	<b>Variable &amp; Adjustable Drives</b> Variable Sheaves - All-Pro ..... 1-7 Variable Sheaves - MCS ..... 8-13 Variable Sheaves - MS ..... 14-23 Variable Sheaves - Roto-Cone ..... 24-31 Variable Sheaves - Var-A-Cone ..... 32-40 Variable Sheave Interchange ..... 41-43 Wide Belt Adjustable - VPS ..... 44-48 Adjustable Motor Bases ..... 49-51 Variable Speed Belts ..... 52-53 Companions for Wide Belts ..... 54-56
<b>D2</b>	<b>Adjustable V-Belt Sheaves</b> Light Duty 1 VP & 2VP ..... 1-3 JVS Sheaves ..... 4-5 5VS & 8VS Sheaves ..... 6-10 SVS Sheaves ..... 11-13
<b>F1</b>	<b>Couplings – Sure-Flex Plus®</b> Selection Data ..... 1-8 Dimensions ..... 9-17 Installation ..... 18
<b>F2</b>	<b>Couplings – Dura-Flex®</b> Selection (English) ..... 1-6 Selection (Metric) ..... 7-11
<b>F3</b>	<b>Couplings – L-Jaw</b> Selection ..... 1-6
<b>F4</b>	<b>Couplings – G-Flex</b> Selection ..... 1-10
<b>F5</b>	<b>Couplings – Form-Flex® &amp; Torsiflex-i</b> Product Features and Options ..... 3 Disc Coupling Advantages ..... 3 Typical Applications ..... 3 Coupling Application Types ..... 4 Coupling Selection Process ..... 5 Coupling Selection Guide ..... 6 Standard Bore Tolerances ..... 7 Industry Standard Reference ..... 8 Dynamic Balance Recommendations ..... 8 Disc Coupling Misalignment Discussion ..... 8 Product Differentiation ..... 9 Spacer Couplings ..... 11-18 Floating Shaft Couplings ..... 19-24 Closed Coupled Couplings ..... 25-28 Single Flex Couplings ..... 29-32 Heavy Duty Spacer Couplings ..... 33-37 Coupling Repair Parts and Kits ..... 38-39 Hub Options ..... 40-41 Design Options ..... 42-43 Bolt Thread Size ..... 44 Bolt/Nut Tightening Torque ..... 44 Application Data Sheet ..... 45-46
<b>F7</b>	<b>Rigid Couplings</b> AVS Selection ..... 2-5
<b>GEN</b>	<b>Engineering – NEMA Motor Specs</b> ..... 1-3 <b>Engineering – Formulas</b> ..... 4

For Conditions of Sale see [www.altramotion.com/tandc](http://www.altramotion.com/tandc)



# Wood's Sure-Grip® QD Bushings

A1



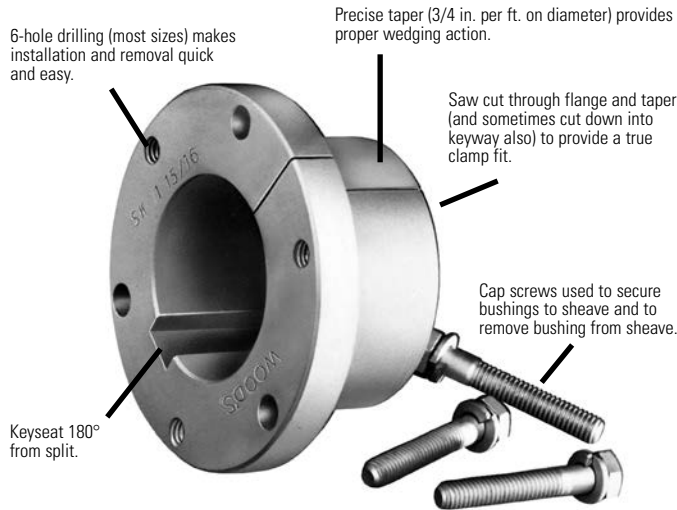
- **Provide a True Clamp Fit**
- **Are Easy to Install and Remove**
- **Permit Four-Way Mounting**

# Sure-Grip® Bushings

## Features

Sure-Grip® “Quick Detachable” bushings are easy to install and remove. They are split through flange and taper to provide a true clamp on the shaft that is the equivalent of a shrink fit. All sizes except JA and QT have a setscrew over the key to help

maintain the bushing’s position on the shaft until the cap screws are securely tightened. Sure-Grip bushings have a very gradual taper (3/4-inch taper per ft. on the diameter) which is about half the inclined angle of many other bushings. The result is the Sure-Grip securely clamps the shaft, with twice the force of those competitive bushings, to provide extreme holding power.

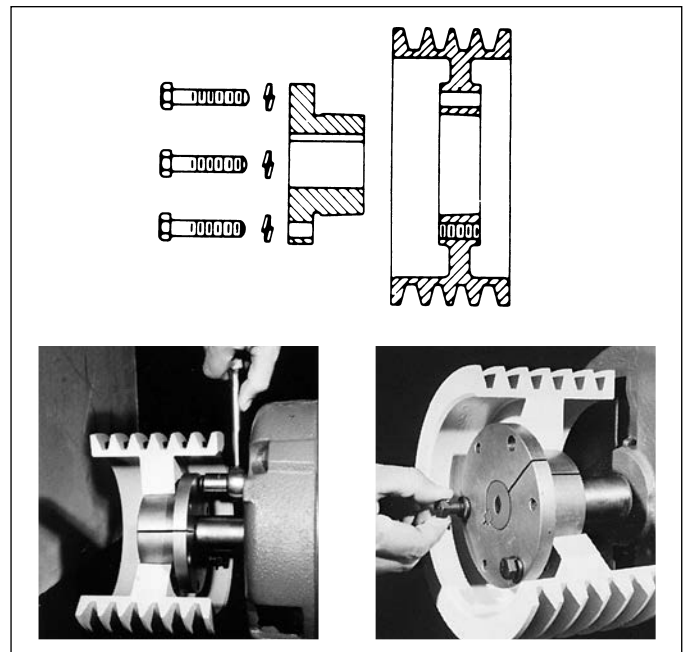
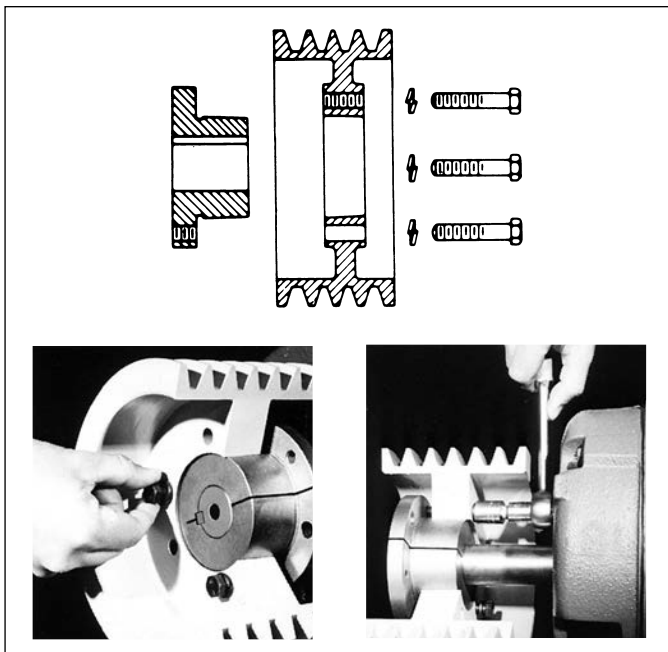


Versatile Sure-Grip bushings permit the mounting of the same mating part on shafts of different diameters, and the mounting of different sheaves on the same shaft using the same bushing. Their interchangeability extends through sheaves, pulleys, timing pulleys, sprockets, flexible and rigid couplings, made-to-order items by Wood’s, and to product lines of several other mechanical power transmission manufacturers.

Sure-Grip bushings are manufactured with the drilled and tapped holes located at a precise distance from the keyseat; thus, a wide mating part having a bushing in each end can be mounted on a common shaft with the two keyways in line. This feature not only facilitates installation but also permits both bushings to carry an equal share of the load.

## STANDARD MOUNTING

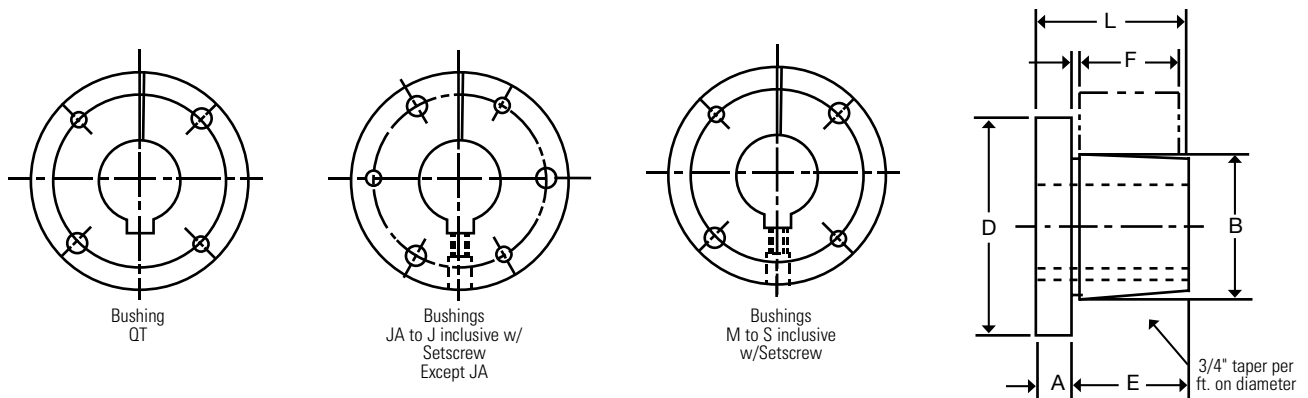
## REVERSE MOUNTING



- 1.** Cap screws from outside through drilled holes in the mating part and into threaded holes in the bushing flange located on the inside of the assembly. Or the complete assembly reversed on the shaft and;
- 2.** Cap screws from inside through drilled holes in the mating part and into threaded holes in the bushing flange located on the outside of the assembly.
- 3.** Cap screws from inside through drilled holes in the bushing flange located on the inside of the assembly and into threaded holes in the mating part.
- 4.** Cap screws from outside through drilled holes in the bushing flange located on the outside of the assembly and into threaded holes in the mating part.

## Dimensions

Sure-Grip bushings are designed to transmit the rated torque capacity listed in the table below when the cap screws are tightened as indicated. The bushings are stocked in all popular bore sizes, including metric bores, within the bore range for a particular bushing.



### SURE-GRIP BUSHING TORQUE RATINGS AND DIMENSIONS

Bush.	Torque Capacity (In.-Lbs.)	(Note 1) Max. Bore	(Note 2) Max. Bore	DIMENSIONS IN INCHES						Bolt Circle	Cap Screws Required
				A	B	D	E	F*	L		
QT	1,750	1-1/2	30	1/4	1.625	2-1/2	1	7/8	1-1/4	2	2-1/4 x 1
JA	1,750	1-1/4	23	5/16	1.375	2	11/16	9/16	1	1-21/32	3 - #10 x 1
SH	3,500	1-5/8	36	3/8	1.871	2-11/16	7/8	13/16	1-1/4	2-1/4	3-1/4 x 1-3/8
SDS	5,000	1-15/16	42	7/16	2.1875	3-3/16	7/8	3/4	1-5/16	2-11/16	3-1/4 x 1-3/8
SD	5,000	1-15/16	42	7/16	2.1875	3-3/16	1-3/8	1-1/4	1-13/16	2-11/16	3-1/4 x 1-7/8
SK	7,000	2-1/2	56	1/2	2.8125	3-7/8	1-3/8	1-1/4	1-7/8	3-5/16	3-5/16 x 2
SF	11,000	2-15/16	63	1/2	3.125	4-5/8	1-1/2	1-1/4	2	3-7/8	3-3/8 x 2
E	20,000	3-1/2	78	3/4	3.834	6	1-7/8	1-5/8	2-5/8	5	3-1/2 x 2-3/4
F	40,000	3-15/16	90	13/16	4.4375	6-5/8	2-13/16	2-1/2	3-5/8	5-5/8	3-9/16 x 3-5/8
J	55,000	4-1/2	105	1	5.1484	7-1/4	3-1/2	3-3/16	4-1/2	6-1/4	3-5/8 x 4-1/2
M	125,000	5-1/2	130	1-1/4	6.500	9-1/8	5-1/2	5-3/16	6-3/4	7-7/8	4-3/4 x 6-3/4
N	150,000	6	140	1-1/2	7.000	10	6-5/8	6-1/4	8-1/8	8-1/2	4-7/8 x 8
P	250,000	7	160	1-3/4	8.250	11-3/4	7-5/8	7-1/4	9-3/8	10	4 - 1 x 9-1/2
W	375,000	8-1/2	200	2	10.437	15	9-3/8	9	11-3/8	12-3/4	4 - 1-1/8 x 11-1/2
S	625,000	10	240	3-1/4	12.125	17-3/4	12-1/2	12	15-3/4	15	5 - 1-1/4 x 15-1/2

\* Mating hub length.

1. MAX INCH BORE WITH KEYSEAT.

2. MAX MM BORE WITH STANDARD KEYSEAT.

See pages A1-4 to A1-8 for Bore and Keyseat information and weights.

# SURE-GRIP® BUSHINGS

## Bore and Key Seat Dimensions

Sure-Grip Bushings are available from stock with all the bores and keyseats listed below. In some cases, as the bore increases in diameter, a shallow keyseat is provided—due to insufficient metal thickness. When this happens, Wood's furnishes the correct rectangular key to suit at no charge. This does not affect the bushing's ability to transmit the load. The rectangular key, or flat key as some call it, fits into the standard keyway in the shaft.

### DIMENSIONS (In Inches)

Product No.	Bore	Key Seat	Wt. (*)
<b>QT BUSHINGS</b>			
QTMPB	7/16	No KS	.6
QT12	1/2	1/8 x 1/16	.6
QT9/16	9/16	1/8 x 1/16	.6
QT58	5/8	3/16 x 3/32	.6
QT11/16	11/16	3/16 x 3/32	.6
QT34	3/4	3/16 x 3/32	.6
QT13/16	13/16	3/16 x 3/32	.6
QT78	7/8	3/16 x 3/32	.6
QT15/16	15/16	1/4 x 1/8	.6
QT1	1	1/4 x 1/8	.6
QT1116	1-1/16	1/4 x 1/8	.6
QT118	1-1/8	1/4 x 1/8	.6
QT1316	1-3/16	1/4 x 1/8	.6
QT114	1-1/4	1/4 x 1/8	.6
QT1516	1-5/16	5/16 x 1/16	.6
QT138	1-3/8	5/16 x 1/16	.6
QT1716	1-7/16	3/8 x 1/16	.6
QT112	1-1/2	3/8 x 1/16	.6
<b>JA BUSHINGS</b>			
JAMPB	1/2	No KS	.8
JA12	1/2	1/8 x 1/16	.8
JA9/16	9/16	1/8 x 1/16	.8
JA58	5/8	3/16 x 3/32	.8
JA11/16	11/16	3/16 x 3/32	.8
JA34	3/4	3/16 x 3/32	.8
JA13/16	13/16	3/16 x 3/32	.8
JA78	7/8	3/16 x 3/32	.8
JA15/16	15/16	1/4 x 1/8	.8
JA1	1	1/4 x 1/8	.8
JA1116	1-1/16	1/4 x 1/16	.8
JA118	1-1/8	1/4 x 1/16	.8
JA1316	1-3/16	1/4 x 1/16	.8
JA114	1-1/4	1/4 x 1/32	.8
<b>SH BUSHINGS</b>			
SHMPB	7/16	No KS	1.1
SH12	1/2	1/8 x 1/16	1.1
SH9/16	9/16	1/8 x 1/16	1.1
SH58	5/8	3/16 x 3/32	1.1
SH11/16	11/16	3/16 x 3/32	1.0
SH34	3/4	3/16 x 3/32	1.0
SH13/16	13/16	3/16 x 3/32	1.0
SH78	7/8	3/16 x 3/32	1.0
SH15/16	15/16	1/4 x 1/8	1.0
SH1	1	1/4 x 1/8	.9

Product No.	Bore	Key Seat	Wt. (*)
<b>SH BUSHINGS (continued)</b>			
SH1116	1-1/16	1/4 x 1/8	.9
SH118	1-1/8	1/4 x 1/8	.9
SH1316	1-3/16	1/4 x 1/8	.8
SH114	1-1/4	1/4 x 1/8	.8
SH1516	1-5/16	5/16 x 5/32	.7
SH138	1-3/8	5/16 x 5/32	.7
SH1716	1-7/16	3/8 x 1/16	.7
SH112	1-1/2	3/8 x 1/16	.6
SH1916	1-9/16	3/8 x 1/16	.6
SH158	1-5/8	3/8 x 1/16	.5
SH11116	1-11/16	No KS	.5
<b>SDS BUSHINGS</b>			
SDSMPB	7/16	No KS	1.7
SDS12	1/2	1/8 x 1/16	1.7
SDS9/16	9/16	1/8 x 1/16	1.7
SDS58	5/8	3/16 x 3/32	1.6
SDS11/16	11/16	3/16 x 3/32	1.6
SDS34	3/4	3/16 x 3/32	1.6
SDS13/16	13/16	3/16 x 3/32	1.6
SDS78	7/8	3/16 x 3/32	1.5
SDS15/16	15/16	1/4 x 1/8	1.5
SDS1	1	1/4 x 1/8	1.5
SDS1116	1-1/16	1/4 x 1/8	1.4
SDS118	1-1/8	1/4 x 1/8	1.4
SDS1316	1-3/16	1/4 x 1/8	1.4
SDS114	1-1/4	1/4 x 1/8	1.3
SDS1516	1-5/16	5/16 x 5/32	1.3
SDS138	1-3/8	5/16 x 5/32	1.2
SDS13838KS	1-3/8	3/8 x 3/16	1.2
SDS1716	1-7/16	3/8 x 3/16	1.2
SDS112	1-1/2	3/8 x 3/16	1.1
SDS1916	1-9/16	3/8 x 3/16	1.1
SDS158	1-5/8	3/8 x 3/16	1.0
SDS11116	1-11/16	3/8 x 3/16	1.0
SDS134	1-3/4	3/8 x 1/8	1.0
SDS11316	1-13/16	1/2 x 1/8	.9
SDS178	1-7/8	1/2 x 1/16	.9
SDS11516	1-15/16	1/2 x 1/16	.8
SDS2	2	No KS	.7
<b>SD BUSHINGS</b>			
SDMPB	7/16	No KS	2.1
SD12	1/2	1/8 x 1/16	2.1
SD9/16	9/16	1/8 x 1/16	2.1
SD58	5/8	3/16 x 3/32	2.1
SD11/16	11/16	3/16 x 3/32	2.0

Product No.	Bore	Key Seat	Wt. (*)
<b>SD BUSHINGS (continued)</b>			
SD34	3/4	3/16 x 3/32	2.0
SD13/16	13/16	3/16 x 3/32	2.0
SD78	7/8	3/16 x 3/32	1.9
SD15/16	15/16	1/4 x 1/8	1.9
SD1	1	1/4 x 1/8	1.8
SD1116	1-1/16	1/4 x 1/8	1.8
SD118	1-1/8	1/4 x 1/8	1.7
SD1316	1-3/16	1/4 x 1/8	1.7
SD114	1-1/4	1/4 x 1/8	1.6
SD1516	1-5/16	5/16 x 5/32	1.6
SD138	1-3/8	5/16 x 5/32	1.5
SD13838KS	1-3/8	3/8 x 3/16	1.5
SD1716	1-7/16	3/8 x 3/16	1.4
SD112	1-1/2	3/8 x 3/16	1.4
SD1916	1-9/16	3/8 x 3/16	1.3
SD158	1-5/8	3/8 x 3/16	1.2
SD11116	1-11/16	3/8 x 3/16	1.2
SD134	1-3/4	3/8 x 1/8	1.1
SD11316	1-13/16	1/2 x 1/8	1.1
SD178	1-7/8	1/2 x 1/16	1.0
SD11516	1-15/16	1/2 x 1/16	.9
SD2	2	No KS	.8
<b>SK BUSHINGS</b>			
SKMPB	7/16	No KS	3.6
SK12	1/2	1/8 x 1/16	3.6
SK9/16	9/16	1/8 x 1/16	3.6
SK58	5/8	3/16 x 3/32	3.6
SK11/16	11/16	3/16 x 3/32	3.5
SK34	3/4	3/16 x 3/32	3.5
SK13/16	13/16	3/16 x 3/32	3.5
SK78	7/8	3/16 x 3/32	3.4
SK15/16	15/16	1/4 x 1/8	3.4
SK1	1	1/4 x 1/8	3.3
SK1116	1-1/16	1/4 x 1/8	3.3
SK118	1-1/8	1/4 x 1/8	3.2
SK1316	1-3/16	1/4 x 1/8	3.2
SK114	1-1/4	1/4 x 1/8	3.1
SK1516	1-5/16	5/16 x 5/32	3.1
SK151638KS	1-5/16	3/8 x 3/16	3.1
SK138	1-3/8	5/16 x 5/32	3.0
SK13838KS	1-3/8	3/8 x 3/16	3.0
SK1716	1-7/16	3/8 x 3/16	2.9
SK112	1-1/2	3/8 x 3/16	2.9
SK1916	1-9/16	3/8 x 3/16	2.8
SK158	1-5/8	3/8 x 3/16	2.7
SK11116	1-11/16	3/8 x 3/16	2.6
SK134	1-3/4	3/8 x 3/16	2.5
SK13412KS	1-3/4	1/2 x 1/4	2.5

\* Approximate weight in lbs.

MPB Bushings are unsplit.

(Continued—next page)



## Bore and Key Seat Dimensions

### DIMENSIONS (In Inches)

Product No.	Bore	Key Seat	Wt. (*)
<b>SK BUSHINGS (continued)</b>			
SK11316	1-13/16	1/2 x 1/4	2.4
SK178	1-7/8	1/2 x 1/4	2.4
SK11516	1-15/16	1/2 x 1/4	2.3
SK2	2	1/2 x 1/4	2.2
SK2116	2-1/16	1/2 x 1/4	2.1
SK218	2-1/8	1/2 x 1/4	2.0
SK2316	2-3/16	1/2 x 1/8	2.0
SK214	2-1/4	1/2 x 1/8	1.9
SK21458KS	2-1/4	5/8 x 1/8	1.9
SK2516	2-5/16	5/8 x 1/16	1.8
SK238	2-3/8	5/8 x 1/16	1.7
SK2716	2-7/16	5/8 x 1/16	1.6
SK212	2-1/2	5/8 x 1/16	1.5
SK2916	2-9/16	No KS	1.3
SK258	2-5/8	No KS	1.1
<b>SF BUSHINGS</b>			
SFMPB	1/2	No KS	5.1
SF12	1/2	1/8 x 1/16	5.1
SF58	5/8	3/16 x 3/32	5.0
SF34	3/4	3/16 x 3/32	5.0
SF78	7/8	3/16 x 3/32	4.9
SF15/16	15/16	1/4 x 1/8	4.8
SF1	1	1/4 x 1/8	4.8
SF1116	1-1/16	1/4 x 1/8	4.7
SF118	1-1/8	1/4 x 1/8	4.7
SF1316	1-3/16	1/4 x 1/8	4.6
SF114	1-1/4	1/4 x 1/8	4.5
SF1516	1-5/16	5/16 x 5/32	4.5
SF138	1-3/8	5/16 x 5/32	4.4
SF13838KS	1-3/8	3/8 x 3/16	4.4
SF1716	1-7/16	3/8 x 3/16	4.3
SF112	1-1/2	3/8 x 3/16	4.2
SF1916	1-9/16	3/8 x 3/16	4.2
SF158	1-5/8	3/8 x 3/16	4.1
SF11116	1-11/16	3/8 x 3/16	4.0
SF134	1-3/4	3/8 x 3/16	3.9
SF11316	1-13/16	1/2 x 1/4	3.8
SF178	1-7/8	1/2 x 1/4	3.7
SF11516	1-15/16	1/2 x 1/4	3.6
SF2	2	1/2 x 1/4	3.5
SF2116	2-1/16	1/2 x 1/4	3.4
SF218	2-1/8	1/2 x 1/4	3.3
SF2316	2-3/16	1/2 x 1/4	3.2
SF214	2-1/4	1/2 x 1/4	3.1
SF21458KS	2-1/4	5/8 x 5/16	3.1
SF2516	2-5/16	5/8 x 3/16	3.1
SF238	2-3/8	5/8 x 3/16	3.0
SF2716	2-7/16	5/8 x 3/16	2.9
SF212	2-1/2	5/8 x 3/16	2.8
SF2916	2-9/16	5/8 x 1/16	2.6
SF258	2-5/8	5/8 x 1/16	2.5
SF21116	2-11/16	5/8 x 1/16	2.4
SF234	2-3/4	5/8 x 1/16	2.2
SF278	2-7/8	3/4 x 1/16	1.8
SF21516	2-15/16	3/4 x 1/32	1.7

Product No.	Bore	Key Seat	Wt. (*)
<b>E BUSHINGS</b>			
EMPB	7/8	No KS	10.8
E78	7/8	3/16 x 3/32	10.8
E15/16	15/16	1/4 x 1/8	10.8
E1	1	1/4 x 1/8	10.7
E118	1-1/8	1/4 x 1/8	10.6
E1316	1-3/16	1/4 x 1/8	10.5
E114	1-1/4	1/4 x 1/8	10.4
E1516	1-5/16	5/16 x 5/32	10.3
E138	1-3/8	5/16 x 5/32	10.2
E13838KS	1-3/8	3/8 x 3/16	10.2
E1716	1-7/16	3/8 x 3/16	10.1
E112	1-1/2	3/8 x 3/16	10.0
E1916	1-9/16	3/8 x 3/16	9.9
E158	1-5/8	3/8 x 3/16	9.8
E11116	1-11/16	3/8 x 3/16	9.7
E134	1-3/4	3/8 x 3/16	9.6
E11316	1-13/16	1/2 x 1/4	9.4
E178	1-7/8	1/2 x 1/4	9.3
E11516	1-15/16	1/2 x 1/4	9.2
E2	2	1/2 x 1/4	9.0
E2116	2-1/16	1/2 x 1/4	8.9
E218	2-1/8	1/2 x 1/4	8.8
E2316	2-3/16	1/2 x 1/4	8.6
E214	2-1/4	1/2 x 1/4	8.5
E21458KS	2-1/4	5/8 x 5/16	8.5
E2516	2-5/16	5/8 x 5/16	8.3
E238	2-3/8	5/8 x 5/16	8.1
E2716	2-7/16	5/8 x 5/16	8.0
E212	2-1/2	5/8 x 5/16	7.8
E2916	2-9/16	5/8 x 5/16	7.6
E258	2-5/8	5/8 x 5/16	7.5
E21116	2-11/16	5/8 x 5/16	7.3
E234	2-3/4	5/8 x 5/16	7.1
E21316	2-13/16	3/4 x 3/8	7.2
E278	2-7/8	3/4 x 3/8	7.1
E21516	2-15/16	3/4 x 1/8	6.9
E3	3	3/4 x 1/8	6.7
E318	3-1/8	3/4 x 1/8	6.3
E3316	3-3/16	3/4 x 1/8	6.0
E314	3-1/4	3/4 x 1/8	5.8
E3516	3-5/16	7/8 x 1/16	5.7
E338	3-3/8	7/8 x 1/16	5.5
E3716	3-7/16	7/8 x 1/16	5.2
E312	3-1/2	7/8 x 1/16	4.7
<b>F BUSHINGS</b>			
FMPB	1	No KS	17.9
F1	1	1/4 x 1/8	17.9
F118	1-1/8	1/4 x 1/8	17.7
F1316	1-3/16	1/4 x 1/8	17.6
F114	1-1/4	1/4 x 1/8	17.5
F138	1-3/8	5/16 x 5/32	17.2
F1716	1-7/16	3/8 x 3/16	17.1
F112	1-1/2	3/8 x 3/16	16.9
F1916	1-9/16	3/8 x 3/16	16.8
F158	1-5/8	3/8 x 3/16	16.7

Product No.	Bore	Key Seat	Wt. (*)
<b>F BUSHING (continued)</b>			
F134	1-3/4	3/8 x 3/16	16.3
F178	1-7/8	1/2 x 1/4	16.0
F11516	1-15/16	1/2 x 1/4	15.8
F2	2	1/2 x 1/4	15.6
F2116	2-1/16	1/2 x 1/4	15.4
F218	2-1/8	1/2 x 1/4	15.2
F2316	2-3/16	1/2 x 1/4	15.0
F214	2-1/4	1/2 x 1/4	14.8
F21458KS	2-1/4	5/8 x 5/16	14.8
F2516	2-5/16	5/8 x 5/16	14.5
F238	2-3/8	5/8 x 5/16	14.3
F2716	2-7/16	5/8 x 5/16	14.1
F212	2-1/2	5/8 x 5/16	13.9
F2916	2-9/16	5/8 x 5/16	13.7
F258	2-5/8	5/8 x 5/16	13.4
F21116	2-11/16	5/8 x 5/16	13.2
F234	2-3/4	5/8 x 5/16	12.9
F21316	2-13/16	3/4 x 3/8	12.6
F278	2-7/8	3/4 x 3/8	12.3
F21516	2-15/16	3/4 x 3/8	12.1
F3	3	3/4 x 3/8	11.8
F318	3-1/8	3/4 x 3/8	11.2
F3316	3-3/16	3/4 x 3/8	10.9
F314	3-1/4	3/4 x 3/8	10.6
F3516	3-5/16	7/8 x 3/16	11.0
F338	3-3/8	7/8 x 3/16	10.6
F3716	3-7/16	7/8 x 3/16	10.3
F312	3-1/2	7/8 x 3/16	10.0
F358	3-5/8	7/8 x 3/16	9.4
F31116	3-11/16	7/8 x 3/16	9.0
F334	3-3/4	7/8 x 3/16	8.7
F378	3-7/8	1 x 1/8	8.1
F31516	3-15/16	1 x 1/8	7.7
F4	4	No KS	6.9
<b>J BUSHINGS</b>			
JMPB	1-7/16	No KS	28.1
J1716	1-7/16	3/8 x 3/16	28.1
J112	1-1/2	3/8 x 3/16	28.0
J1916	1-9/16	3/8 x 3/16	27.8
J1116	1-11/16	3/8 x 3/16	27.4
J134	1-3/4	3/8 x 3/16	27.2
J178	1-7/8	1/2 x 1/4	26.7
J11516	1-15/16	1/2 x 1/4	26.5
J2	2	1/2 x 1/4	26.3
J218	2-1/8	1/2 x 1/4	25.8
J2316	2-3/16	1/2 x 1/4	25.6
J214	2-1/4	1/2 x 1/4	25.3
J2516	2-5/16	5/8 x 5/16	25.0
J238	2-3/8	5/8 x 5/16	24.7
J2716	2-7/16	5/8 x 5/16	24.5
J212	2-1/2	5/8 x 5/16	24.2
J258	2-5/8	5/8 x 5/16	23.6
J21116	2-11/16	5/8 x 5/16	23.3
J234	2-3/4	5/8 x 5/16	23.0
J278	2-7/8	3/4 x 3/8	22.2

Approximate weight in lbs.

MPB Bushings are unsplit.

(Continued—next page)

## Bore And Key Seat Dimensions

### DIMENSIONS (In Inches)

Product No.	Bore	Key Seat	Wt. (*)
<b>J BUSHINGS (continued)</b>			
J21516	2-15/16	3/4 x 3/8	21.9
J3	3	3/4 x 3/8	21.6
J318	3-1/8	3/4 x 3/8	20.9
J3316	3-3/16	3/4 x 3/8	20.5
J314	3-1/4	3/4 x 3/8	20.1
J3516	3-5/16	7/8 x 7/16	19.6
J338	3-3/8	7/8 x 7/16	19.3
J3716	3-7/16	7/8 x 7/16	18.9
J312	3-1/2	7/8 x 7/16	18.5
J358	3-5/8	7/8 x 7/16	17.7
J31116	3-11/16	7/8 x 7/16	17.2
J334	3-3/4	7/8 x 7/16	16.8
J31316	3-13/16	1 x 1/2	17.4
J378	3-7/8	1 x 3/8	17.0
J31516	3-15/16	1 x 3/8	16.5
J4	4	1 x 1/8	16.1
J418	4-1/8	1 x 1/8	15.2
J4316	4-3/16	1 x 1/8	14.7
J414	4-1/4	1 x 1/8	14.2
J438	4-3/8	1 x 1/8	13.2
J4716	4-7/16	1 x 1/8	12.7
J412	4-1/2	1 x 1/8	12.2
<b>M BUSHINGS</b>			
M11516	1-15/16	1/2 x 1/4	63.7
M2	2	1/2 x 1/4	63.3
M2316	2-3/16	1/2 x 1/4	62.3
M214	2-1/4	1/2 x 1/4	61.9
M238	2-3/8	5/8 x 5/16	61.0
M2716	2-7/16	5/8 x 5/16	60.6
M212	2-1/2	5/8 x 5/16	60.1
M258	2-5/8	5/8 x 5/16	59.3
M21116	2-11/16	5/8 x 5/16	58.8
M234	2-3/4	5/8 x 5/16	58.3
M278	2-7/8	3/4 x 3/8	57.2
M21516	2-15/16	3/4 x 3/8	56.7
M3	3	3/4 x 3/8	56.2
M318	3-1/8	3/4 x 3/8	55.2
M3316	3-3/16	3/4 x 3/8	54.6
M314	3-1/4	3/4 x 3/8	54.1
M338	3-3/8	7/8 x 7/16	52.8
M3716	3-7/16	7/8 x 7/16	52.2
M312	3-1/2	7/8 x 7/16	51.6
M358	3-5/8	7/8 x 7/16	50.4
M31116	3-11/16	7/8 x 7/16	49.7
M334	3-3/4	7/8 x 7/16	49.1
M378	3-7/8	1 x 1/2	47.6
M31516	3-15/16	1 x 1/2	46.9
M4	4	1 x 1/2	46.2
M418	4-1/8	1 x 1/2	44.8
M4316	4-3/16	1 x 1/2	44.1
M414	4-1/4	1 x 1/2	43.4
M438	4-3/8	1 x 1/2	41.9
M4716	4-7/16	1 x 1/2	41.2

Product No.	Bore	Key Seat	Wt. (*)
<b>M BUSHINGS (continued)</b>			
M412	4-1/2	1 x 1/2	40.4
M41116	4-11/16	1-1/4 x 5/8	37.5
M434	4-3/4	1-1/4 x 5/8	36.7
M478	4-7/8	1-1/4 x 1/4	37.8
M41516	4-15/16	1-1/4 x 1/4	37.0
M5	5	1-1/4 x 1/4	36.1
M5316	5-3/16	1-1/4 x 1/4	33.5
M514	5-1/4	1-1/4 x 1/4	32.6
M5716	5-7/16	1-1/4 x 1/4	29.9
M512	5-1/2	1-1/4 x 1/4	28.9
<b>N BUSHINGS</b>			
N21516	2-15/16	3/4 x 3/8	84.1
N3	3	3/4 x 3/8	83.5
N338	3-3/8	7/8 x 7/16	79.3
N3716	3-7/16	7/8 x 7/16	78.6
N312	3-1/2	7/8 x 7/16	77.9
N358	3-5/8	7/8 x 7/16	76.4
N334	3-3/4	7/8 x 7/16	74.9
N378	3-7/8	1 x 1/2	73.1
N31516	3-15/16	1 x 1/2	72.3
N4	4	1 x 1/2	71.5
N4316	4-3/16	1 x 1/2	68.9
N414	4-1/4	1 x 1/2	68.1
N438	4-3/8	1 x 1/2	66.3
N4716	4-7/16	1 x 1/2	65.4
N412	4-1/2	1 x 1/2	64.5
N458	4-5/8	1-1/4 x 5/8	62.0
N434	4-3/4	1-1/4 x 5/8	60.0
N478	4-7/8	1-1/4 x 5/8	58.1
N41516	4-15/16	1-1/4 x 5/8	57.0
N5	5	1-1/4 x 5/8	56.0
N5316	5-3/16	1-1/4 x 1/4	56.1
N5716	5-7/16	1-1/4 x 1/4	51.7
N512	5-1/2	1-1/4 x 1/4	50.6
N578	5-7/8	1-1/2 x 1/4	44.3
N51516	5-15/16	1-1/2 x 1/8	43.9
<b>P BUSHINGS</b>			
P21516	2-15/16	3/4 x 3/8	141.2
P314	3-1/4	3/4 x 3/8	137.6
P3716	3-7/16	7/8 x 7/16	134.9
P312	3-1/2	7/8 x 7/16	134.1
P358	3-5/8	7/8 x 7/16	132.4
P334	3-3/4	7/8 x 7/16	130.6
P378	3-7/8	1 x 1/2	128.5
P31516	3-15/16	1 x 1/2	127.6
P4	4	1 x 1/2	126.7
P414	4-1/4	1 x 1/2	122.7
P438	4-3/8	1 x 1/2	120.7
P4716	4-7/16	1 x 1/2	119.6
P412	4-1/2	1 x 1/2	118.6
P458	4-5/8	1-1/4 x 5/8	115.7
P41116	4-11/16	1-1/4 x 5/8	114.6

Product No.	Bore	Key Seat	Wt. (*)
<b>P BUSHINGS (continued)</b>			
P434	4-3/4	1-1/4 x 5/8	113.5
P478	4-7/8	1-1/4 x 5/8	111.2
P41516	4-15/16	1-1/4 x 5/8	110.0
P5	5	1-1/4 x 5/8	108.8
P5316	5-3/16	1-1/4 x 5/8	105.2
P514	5-1/4	1-1/4 x 5/8	103.9
P5516	5-5/16	1-1/4 x 5/8	102.7
P538	5-3/8	1-1/4 x 5/8	101.4
P5716	5-7/16	1-1/4 x 5/8	100.1
P512	5-1/2	1-1/4 x 5/8	98.8
P534	5-3/4	1-1/2 x 3/4	98.1
P578	5-7/8	1-1/2 x 3/4	95.3
P51516	5-15/16	1-1/2 x 3/4	93.9
P6	6	1-1/2 x 1/4	92.5
P6116	6-1/16	1-1/2 x 1/4	91.0
P614	6-1/4	1-1/2 x 1/4	86.6
P6716	6-7/16	1-1/2 x 1/4	83.5
P612	6-1/2	1-1/2 x 1/4	80.5
P634	6-3/4	1-3/4 x 1/8	74.7
P7	7	1-3/4 x 1/8	68.1
<b>W BUSHINGS</b>			
W414MPB	4-1/4	-	247.0
W478MPB	4-7/8	-	234.0
W514MPB	5-1/4	-	225.0
W578MPB	5-7/8	-	209.0
W612MPB	6-1/2	-	191.0
W714MPB	7-1/4	-	167.0
W734	7-3/4	2 x 1/4	150.0
W812	8-1/2	2 x 1/4	120.0
<b>S BUSHINGS</b>			
S6MPB	6	-	445.0
S8MPB	8	-	356.0
S9MPB	9	-	301.0

MPB bushings are unsplit.

\* Approximate weight in lbs.

# Sure-Grip® Bushings With Metric Bore and Keyseat

## Bore And Key Seat Dimensions

### DIMENSIONS (In mm)

Product No.	Bore (mm)	Key ■	Wt. (*)
<b>QT BUSHINGS</b>			
QT14MM	14	5 x 5	.6
QT15MM	15	5 x 5	.6
QT16MM	16	5 x 5	.6
QT18MM	18	6 x 6	.6
QT19MM	19	6 x 6	.6
QT20MM	20	6 x 6	.6
QT22MM	22	6 x 6	.6
QT24MM	24	8 x 7	.6
QT25MM	25	8 x 7	.6
QT28MM	28	8 x 7	.6
QT30MM	30	8 x 7	.6
QT32MM	32	10 x 6†	.6
QT35MM	35	10 x 6†	.6
QT38MM	38	10 x 6†	.6
<b>JA BUSHINGS</b>			
JA15MM	15	5 x 5	.8
JA16MM	16	5 x 5	.8
JA19MM	19	6 x 6	.8
JA20MM	20	6 x 6	.8
JA24MM	24	8 x 6†	.8
JA25MM	25	8 x 6†	.8
JA28MM	28	8 x 5†	.8
<b>SH BUSHINGS</b>			
SH24MM	24	8 x 7	.9
SH25MM	25	8 x 7	.9
SH28MM	28	8 x 7	.9
SH30MM	30	8 x 7	.8
SH32MM	32	10 x 8	.8
SH35MM	35	10 x 8	.7
<b>SDS BUSHINGS</b>			
SDS24MM	24	8 x 7	1.5
SDS25MM	25	8 x 7	1.5
SDS28MM	28	8 x 7	1.4
SDS30MM	30	8 x 7	1.4
SDS32MM	32	10 x 8	1.3
SDS35MM	35	10 x 8	1.2
SDS38MM	38	10 x 8	1.1
SDS40MM	40	12 x 8	1.1
SDS42MM	42	12 x 8	1.0
<b>SD BUSHINGS</b>			
SD24MM	24	8 x 7	1.8
SD25MM	25	8 x 7	1.8
SD28MM	28	8 x 7	1.7
SD30MM	30	8 x 7	1.7
SD32MM	32	10 x 8	1.6
SD35MM	35	10 x 8	1.5
SD38MM	38	10 x 8	1.4
SD40MM	40	12 x 8	1.3
SD42MM	42	12 x 8	1.2

Product No.	Bore (mm)	Key ■	Wt. (*)
<b>SK BUSHINGS</b>			
SK24MM	24	8 x 7	3.3
SK25MM	25	8 x 7	3.3
SK28MM	28	8 x 7	3.2
SK30MM	30	8 x 7	3.2
SK32MM	32	10 x 8	3.1
SK35MM	35	10 x 8	3.0
SK38MM	38	10 x 8	2.9
SK40MM	40	12 x 8	3.6
SK42MM	42	12 x 8	2.7
SK45MM	45	14 x 9	2.6
SK48MM	48	14 x 9	2.4
SK50MM	50	14 x 9	2.3
SK55MM	55	16 x 10	2.0
<b>SF BUSHINGS</b>			
SF28MM	28	8 x 7	4.7
SF30MM	30	8 x 7	4.6
SF32MM	32	10 x 8	4.5
SF35MM	35	10 x 8	4.4
SF38MM	38	10 x 8	4.2
SF40MM	40	12 x 8	4.2
SF42MM	42	12 x 8	4.1
SF45MM	45	14 x 9	3.9
SF48MM	48	14 x 9	3.7
SF50MM	50	14 x 9	3.6
SF55MM	55	16 x 10	3.2
SF60MM	60	18 x 11	3.0
SF65MM	65	18 x 8 †	2.6
<b>E BUSHINGS</b>			
E35MM	35	10 x 8	10.2
E38MM	38	10 x 8	10.0
E40MM	40	12 x 8	9.9
E42MM	42	12 x 8	9.8
E45MM	45	14 x 9	9.6
E48MM	48	14 x 9	9.3
E50MM	50	14 x 9	9.2
E55MM	55	16 x 10	8.6
E60MM	60	18 x 11	8.1
E65MM	65	18 x 11	7.6
E70MM	70	20 x 12	7.1
E75MM	75	20 x 12	6.9
E80MM	80	22 x 11†	6.3

Product No.	Bore (mm)	Key ■	Wt. (*)
<b>F BUSHINGS</b>			
F45MM	45	14 x 9	16.2
F48MM	48	14 x 9	16.0
F50MM	50	14 x 9	15.8
F55MM	55	16 x 10	15.0
F60MM	60	18 x 11	14.3
F65MM	65	18 x 11	13.7
F70MM	70	20 x 12	12.9
F75MM	75	20 x 12	12.1
F80MM	80	22 x 14	11.2
F85MM	85	22 x 14	10.6
F90MM	90	25 x 14	9.7
<b>J BUSHINGS</b>			
J50MM	50	14 x 9	26.5
J55MM	55	16 x 10	25.6
J60MM	60	18 x 11	24.7
J65MM	65	18 x 11	23.9
J70MM	70	20 x 12	23.0
J75MM	75	20 x 12	21.9
J80MM	80	22 x 14	20.9
J85MM	85	22 x 14	19.3
J90MM	90	25 x 14	18.1
J95MM	95	25 x 14	16.8
J100MM	100	28 x 16	16.5
<b>M BUSHINGS</b>			
M80MM	80	22 x 14	55.0
M90MM	90	25 x 14	51.2
M100MM	100	28 x 16	46.9
M120MM	120	32 x 18	37.0
<b>N BUSHINGS</b>			
N100MM	100	28 x 16	72.3
N120MM	120	32 x 18	60.2
<b>P BUSHINGS</b>			
P150MM	150	36 x 20	95.8

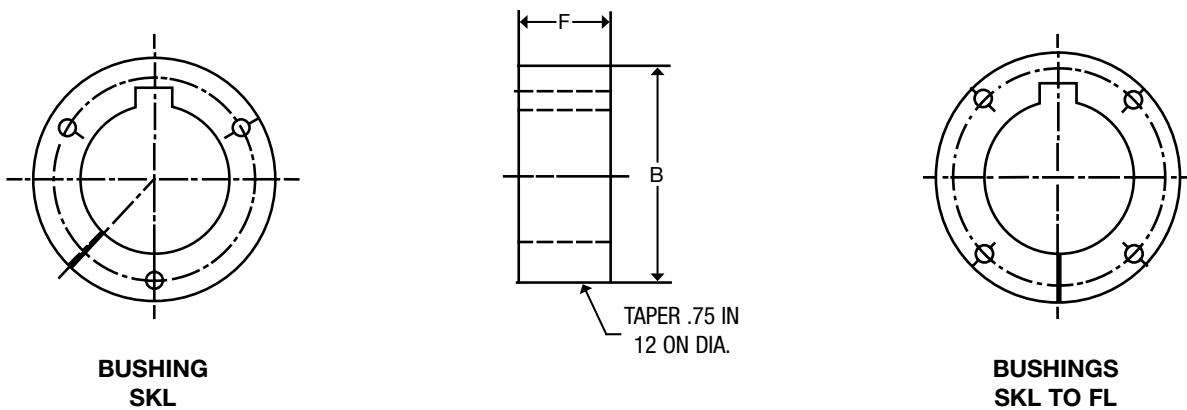
Approximate weight in lbs.

■ The metric system does not refer to keyseat or keyway dimensions as does the English system; instead, dimensions are given for the key itself, which is rectangular in shape and not square as in the English system. This meets ISO standards.

† SHALLOW KEY FURNISHED

# SAE Sure-Grip® L Series Flangeless Bushings

Bush.	Torque Capacity (In.-Lbs.)	Type Material	Max. Bore (In.)	Max. Bore (In.)	DIMENSIONS IN INCHES		Bolt Circle	Cap Screws Required
					B	F		
SKL	7,000	D.I.	1-15/16	50	2.8125	1-1/8	2-3/8	3-1/4 x 1-3/4
SFL	11,000	D.I.	2-3/8	60	3.1250	1-1/8	2-3/4	4-1/4 x 1-3/4
EL	20,000	D.I.	2-7/8	73	3.8340	1-1/2	3-3/8	4-5/16 x 1-3/4
FL	45,000	D.I.	3-1/8	80	4.4375	2-3/8	3-3/4	4-3/8 x 2



Patent No. 5304101

## To Install:

### IMPORTANT: DO NOT USE LUBRICANTS IN THIS INSTALLATION

1. Inspect shafts, bushing, and mating hub. Remove all nicks, paint, dirt, grease, etc. from mating surfaces.
2. Place key in shaft's keyseat.
3. Slide bushing onto shaft and key. **Small End of Taper Must Be Outboard.**
4. Slide tapered mating hub over bushing. Align (1) the shaft key with one of the slots in the mating hub and (2) the drilled holes in mating hub with the threaded holes in the bushing.
5. Put lockwashers on cap screws and insert one cap screw thru each drilled hole in the mating hub and into the threaded hole in the bushing.
6. **Use a Torque Wrench.** Tighten all cap screws evenly and progressively in rotation. Torque around all the cap screws as often as necessary until the listed torque value remains on each cap screw.

## To Remove:

1. Loosen and remove all cap screws from assembly.
2. Install one cap screw in each threaded hole in the mating hub.
3. Evenly torque each cap screw in rotation to force the mating hub off the bushing.

Bushing	Torque (Ft.-Lbs.)
SKL	15
SFL	15
EL	30
FL	55

**CAUTION**  
The use of lubricants or excessive wrench torques may cause hub stresses high enough to break the mating hub!



# SAE Sure-Grip® L Series Flangeless Bushings

## Bore And Keyseat Dimensions

### DIMENSIONS (In Inches)

Product No.	Bore	Key Seat	Wt. (*)
<b>SKL BUSHINGS</b>			
SKLMPB	1/2	MPB*	1.7
SKL12	1/2	1/8 x 1/16	1.7
SKL58	5/8	3/16 x 3/32	1.7
SKL34	3/4	3/16 x 3/32	1.6
SKL78	7/8	3/16 x 3/32	1.6
SKL15/16	15/16	1/4 x 1/8	1.6
SKL1	1	1/4 x 1/8	1.6
SKL118	1-1/8	1/4 x 1/8	1.5
SKL1316	1-3/16	1/4 x 1/8	1.4
SKL114	1-1/4	1/4 x 1/8	1.4
SKL1516	1-5/16	5/16 x 5/32	1.3
SKL138	1-3/8	5/16 x 5/32	1.3
SKL1716	1-7/16	3/8 x 3/16	1.2
SKL112	1-1/2	3/8 x 3/16	1.2
SKL1916	1-9/16	3/8 x 3/16	1.2
SKL158	1-5/8	3/8 x 3/16	1.1
SKL11116	1-11/16	3/8 x 3/16	1.1
SKL134	1-3/4	3/8 x 3/16	1.0
SKL11316	1-13/16	1/2 x 1/4	1.0
SKL178	1-7/8	1/2 x 1/4	.9
SKL11516	1-15/16	1/2 x 1/4	.8
<b>SFL BUSHINGS</b>			
SFLMPB	1/2	MPB*	2.1
SFL12	1/2	1/8 x 1/16	2.1
SFL58	5/8	3/16 x 3/32	2.1
SFL34	3/4	3/16 x 3/32	2.0
SFL78	7/8	3/16 x 3/32	2.0
SFL15/16	15/16	1/4 x 1/8	2.0
SFL1	1	1/4 x 1/8	2.0
SFL118	1-1/8	1/4 x 1/8	1.9
SFL1316	1-3/16	1/4 x 1/8	1.8
SFL114	1-1/4	1/4 x 1/8	1.8
SFL1516	1-5/16	5/16 x 5/32	1.7
SFL138	1-3/8	5/16 x 5/32	1.7
SFL1716	1-7/16	3/8 x 3/16	1.6

Product No.	Bore	Key Seat	Wt. (*)
<b>SFL BUSHINGS</b>			
SFL112	1-1/2	3/8 x 3/16	1.6
SFL1916	1-9/16	3/8 x 3/16	1.5
SFL158	1-5/8	3/8 x 3/16	1.5
SFL11116	1-11/16	3/8 x 3/16	1.4
SFL134	1-3/4	3/8 x 3/16	1.4
SFL11316	1-13/16	1/2 x 1/4	1.4
SFL178	1-7/8	1/2 x 1/4	1.3
SFL11516	1-15/16	1/2 x 1/4	1.3
SFL2	2	1/2 x 1/4	1.2
SFL218	2-1/8	1/2 x 1/4	1.1
SFL2316	2-3/16	1/2 x 1/4	1.0
SFL214	2-1/4	1/2 x 1/4	1.0
SFL2516	2-5/16	5/8 x 5/16	.9
SFL238	2-3/8	5/8 x 5/16	.9
<b>EL BUSHINGS</b>			
ELMPB	7/8	MPB*	4.1
EL78	7/8	3/16 x 3/32	4.1
EL15/16	15/16	1/4 x 1/8	4.0
EL1	1	1/4 x 1/8	3.9
EL118	1-1/8	1/4 x 1/8	3.8
EL1316	1-3/16	1/4 x 1/8	3.8
EL114	1-1/4	1/4 x 1/8	3.7
EL1516	1-5/16	5/16 x 5/32	3.6
EL138	1-3/8	5/16 x 5/32	3.6
EL1716	1-7/16	3/8 x 3/16	3.5
EL112	1-1/2	3/8 x 3/16	3.5
EL1916	1-9/16	3/8 x 3/16	3.4
EL158	1-5/8	3/8 x 3/16	3.4
EL11116	1-11/16	3/8 x 3/16	3.3
EL134	1-3/4	3/8 x 3/16	3.2
EL11316	1-13/16	1/2 x 1/4	3.2
EL178	1-7/8	1/2 x 1/4	3.1
EL11516	1-15/16	1/2 x 1/4	3.0
EL2	2	1/2 x 1/4	3.0
EL218	2-1/8	1/2 x 1/4	2.9
EL2316	2-3/16	1/2 x 1/4	2.8
EL214	2-1/4	1/2 x 1/4	2.7
EL2516	2-5/16	5/8 x 5/16	2.6
EL238	2-3/8	5/8 x 5/16	2.5
EL2716	2-7/16	5/8 x 5/16	2.4

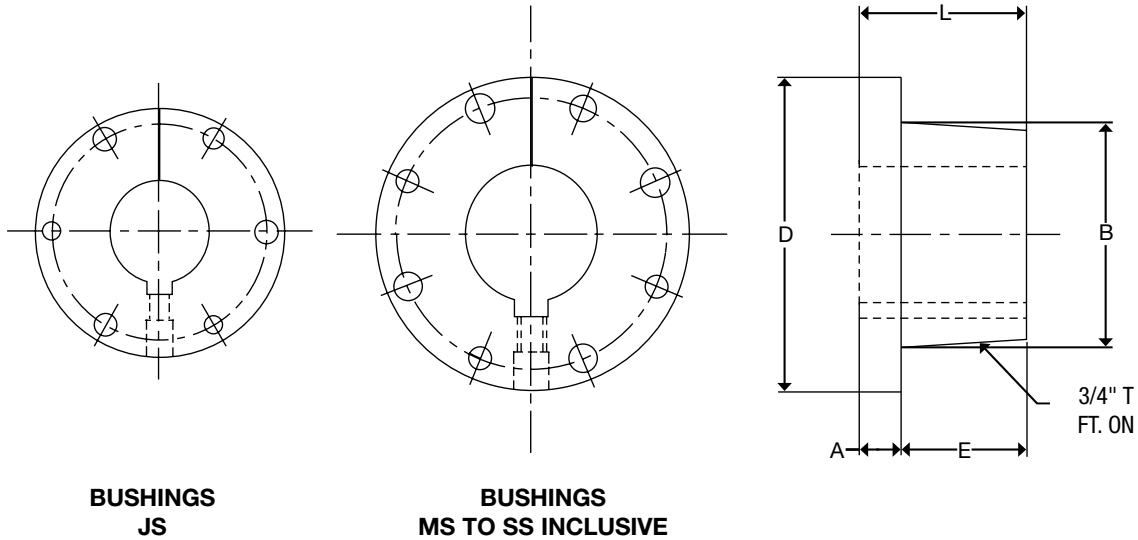
Product No.	Bore	Key Seat	Wt. (*)
<b>EL BUSHINGS</b>			
EL212	2-1/2	5/8 x 5/16	2.3
EL2916	2-9/16	5/8 x 5/16	2.3
EL258	2-5/8	5/8 x 5/16	2.2
EL21116	2-11/16	5/8 x 5/16	2.1
EL234	2-3/4	5/8 x 5/16	2.0
EL21316	2-13/16	3/4 x 3/8	1.9
EL278	2-7/8	3/4 x 3/8	1.8
<b>FL BUSHINGS</b>			
FLMPB	1	MPB*	8.5
FL1	1	1/4 x 1/8	8.5
FL118	1-1/8	1/4 x 1/8	8.3
FL1316	1-3/16	1/4 x 1/8	8.2
FL114	1-1/4	1/4 x 1/8	8.1
FL138	1-3/8	5/16 x 5/32	8.0
FL1716	1-7/16	3/8 x 3/16	7.9
FL112	1-1/2	3/8 x 3/16	7.8
FL1916	1-9/16	3/8 x 3/16	7.6
FL158	1-5/8	3/8 x 3/16	7.5
FL11116	1-11/16	3/8 x 3/16	7.4
FL134	1-3/4	3/8 x 3/16	7.3
FL178	1-7/8	1/2 x 1/4	7.1
FL11516	1-15/16	1/2 x 1/4	7.0
FL2	2	1/2 x 1/4	6.7
FL218	2-1/8	1/2 x 1/4	6.6
FL2316	2-3/16	1/2 x 1/4	6.5
FL214	2-1/4	1/2 x 1/4	6.4
FL2516	2-5/16	5/8 x 5/16	6.3
FL238	2-3/8	5/8 x 5/16	6.2
FL2716	2-7/16	5/8 x 5/16	6.1
FL212	2-1/2	5/8 x 5/16	5.9
FL2916	2-9/16	5/8 x 5/16	5.7
FL258	2-5/8	5/8 x 5/16	5.6
FL21116	2-11/16	5/8 x 5/16	5.4
FL234	2-3/4	5/8 x 5/16	5.3
FL21316	2-13/16	3/4 x 3/8	5.1
FL278	2-7/8	3/4 x 3/8	4.9
FL21516	2-15/16	3/4 x 3/8	4.8
FL3	3	3/4 x 3/8	4.6
FL318	3-1/8	3/4 x 3/8	4.5

\* Approximate weight in lbs.  
MPB bushings are unsplit.

# SAE Sure-Grip® Short Bushings

## Dimensions

Sure-Grip bushings are designed to transmit the rated torque capacity listed in the table below when the cap screws are tightened as indicated. The bushings are stocked in all popular bore sizes, including metric bores, within bore range for a particular bushing.



## SURE-GRIP SHORT BUSHING TORQUE RATINGS AND DIMENSIONS

Bush.	Torque Capacity (In.-Lbs.)	Max. Bore	DIMENSIONS IN INCHES					Bolt Circle	Cap Screws Required
			A	B	D	E	L		
<b>JS</b>	35,000	4-1/2	1	5.1484	7-1/4	2-3/8	3-3/8	6-1/4	3-5/8 x 2-1/2
<b>MS</b>	85,000	5-1/2	1-3/16	6.500	9-1/8	3-5/8	4-13/16	7-7/8	4-3/4 x 3
<b>NS</b>	100,000	6	1-1/2	7.000	10	4-1/2	6	8-1/2	4-7/8 x 3-1/2
<b>PS</b>	170,000	7	1-1/2	8.250	11-3/4	5	6-1/2	10	4 - 1 x 4
<b>WS</b>	250,000	8-1/2	1-3/4	10.437	15	5-1/2	7-1/4	12-3/4	4 - 1-1/8 x 5
<b>SS</b>	410,000	10	2	12.125	17-3/4	6-3/4	8-3/4	15	5 - 1-1/4 x 5

Setscrew not standard – Available as alteration.

See page A1-11 for Bore and Keyseat information and weights.

# SAE Sure-Grip® Short Bushings

## Bore and Key Seat Dimensions

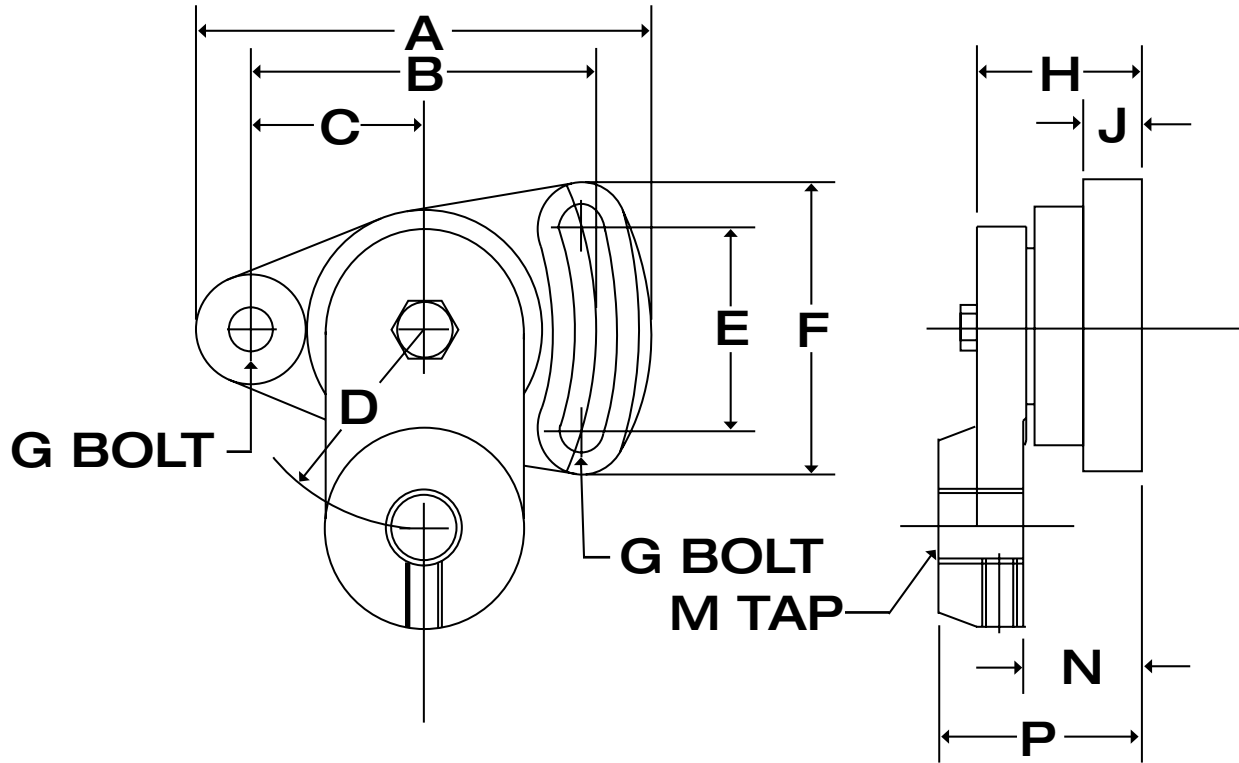
### DIMENSIONS (In Inches)

Product No.	Bore	Key Seat	Wt. (*)
<b>JS BUSHINGS</b>			
JS2716	2- 7/16	5/8 X 5/16	20.0
JS21516	2-15/16	3/4 X 3/8	18.1
JS3716	3- 7/16	7/8 X 7/16	15.9
JS31516	3-15/16	1 X 1/4	14.3
JS4716	4- 7/16	1 X 1/8	11.5
<b>MS BUSHINGS</b>			
MS3716	3- 7/16	7/8 X 7/16	41.2
MS31516	3-15/16	1 X 1/2	37.3
MS4716	4- 7/16	1 X 1/2	33.3
MS41516	4-15/16	1-1/4 X 1/4	30.9
MS5716	5- 7/16	1-1/4 X 1/4	25.9
<b>NS BUSHINGS</b>			
NS31516	3-15/16	1 X 1/2	66.3
NS4716	4- 7/16	1 X 1/2	52.5
NS41516	4-15/16	1-1/4 X 5/8	46.5
NS5716	5- 7/16	1-1/4 X 1/4	43.9
NS51516	5-15/16	1-1/2 X 1/8	39.0
NS6	6	1-1/2 X 1/8	38.8

\* Approximate weight in lbs.

Product No.	Bore	Key Seat	Wt. (*)
<b>PS BUSHINGS</b>			
PS41516	4-15/16	1-1/4 X 5/8	88.3
PS5716	5- 7/16	1-1/4 X 5/8	81.3
PS51516	5-15/16	1-1/2 X 3/4	78.4
PS6	6	1-1/2 X 3/4	77.4
PS6716	6- 7/16	1-1/2 X 1/2	70.0
PS612	6- 1/2	1-1/2 X 1/2	69.0
PS61516	6-15/16	1-3/4 X 1/8	61.3
PS7	7	1-3/4 X 1/8	60.4
<b>WS BUSHINGS</b>			
WS5716	5- 7/16	1-1/4 X 5/8	172.3
WS51516	5-15/16	1-1/2 X 3/4	161.1
WS6716	6- 7/16	1-1/2 X 3/4	155.0
WS612	6- 1/2	1-1/2 X 3/4	153.0
WS61516	6-15/16	1-3/4 X 3/4	140.0
WS7	7	1-3/4 X 3/4	139.0
WS712	7- 1/2	1-3/4 X 3/4	137.0
WS71516	7-15/16	2 X 3/4	126.9
WS8	8	2 X 3/4	124.0
WS8716	8- 7/16	2 X 1/4	107.3
WS812	8- 1/2	2 X 1/4	105.0

# Double Adjustment Tensioner Belt Drive Or Chain Tensioner



Product Number	DIMENSIONS IN INCHES												Weight Lbs.
	A	B	C	D	E	F	G	H	J	M	N	P	
DAM	4.62	3.50	1.75	2.00	2.06	3.06	.375	1.63	.62	3/4-10	1.16	2.01	3.0
DAL	6.94	5.25	2.63	5.00	3.00	4.56	.625	2.38	.88	1"-8	1.68	2.94	9.5

The Double Adjustment tensioner (Type DA) permits a full 360 degree rotation of the idler. A second adjustment is obtained by the long slot in the base. The arm is locked in place with an ingenious use of a tapered fit. Tensioning of a drive should follow the installation guideline for the type of drive in question.

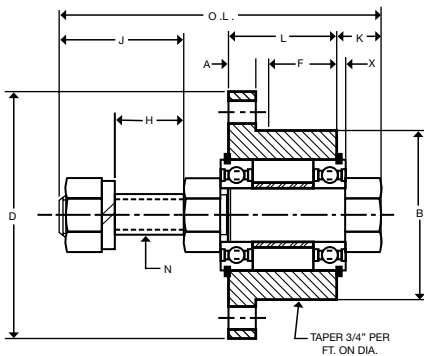


## FOR USE WITH SHEAVES, PULLEYS, SPROCKETS, GEARS OR OTHER PRODUCTS DESIGNED FOR QD-TYPE BUSHINGS



Wood's Sure-Grip Idler Bushings are designed to accommodate stock V-belt sheaves, flat-belt or Timing-belt pulleys, roller or silent chain sprockets, gears or other products that use QD\*-type bushings. They are equipped with two, permanently lubricated, ball-bearing units for long, smooth, trouble-free performance. Installation is made simply by slipping the threaded shaft through a hole bored in the support structure and tightening the locking nut. Sheaves, pulleys or other products can be removed without dismantling the idler bushing. These idler units are available with SH, SD, SK, SF or E Sure-Grip bushings. Wood's Sure-Grip bushings are of the most widely used, tapered, interchangeable type.

\* U.S.T.M. Reg. No. 403,470    Can. T.M. Reg. No. 113,711



Product No.	DIMENSIONS IN INCHES											Wt. (Lbs.)
	A	B	D	F	H	J	K	L	N	O.L.	X	
SHBB	0.38	1.871	2.69	0.75	.53	0.98	0.44	1.25	1/2-13NC	3.13	.12	1.5
SDBB	0.44	2.187	3.19	1.25	.72	1.17	0.44	1.81	1/2-13NC	3.88	.12	2.5
SDBB58	0.44	2.187	3.19	1.25	.57	1.12	0.44	1.81	5/8-11NC	3.88	.12	2.7
SKBB	0.50	2.812	3.88	1.25	.85	1.42	0.62	1.88	3/4-10NC	4.50	.14	4.5
SFBB	0.50	3.125	4.63	1.38	.73	1.29	0.62	2.00	3/4-10NC	4.50	.14	8.0
SFBB1	0.50	3.125	4.63	1.38	1.08	1.91	0.62	2.00	1"-8NC	5.25	.14	8.6
EBB	0.75	3.834	6.00	1.63	1.11	2.30	0.97	2.63	1-3/8-6NC	6.88	.19	12.0

### Equivalent Load Rating (lbs.)

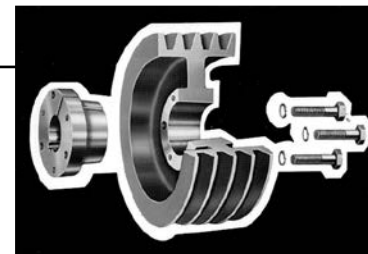
Hours Life	Product No.	Basic Rating	RPM					
			500	1000	2000	3000	4000	5000
1000	SHBB	3320	1068	848	673	588	534	496
	SKBB	4860	1564	1241	985	861	782	726
	SFBB	4860	1564	1241	985	861	782	726
	EBB	10100	3250	2580	2048	1789	1625	1509
2000	SHBB	3320	848	673	534	467	424	394
	SDBB	3320	848	673	534	467	424	394
	SKBB	4860	1241	985	782	683	621	576
	SFBB	4860	1241	985	782	683	621	576
	EBB	10100	2580	2048	1625	1420	1290	1197
6000	SHBB	3320	588	467	370	324	294	273
	SDBB	3320	588	467	370	324	294	273
	SKBB	4860	861	683	542	474	430	400
	SFBB	4860	861	683	542	474	430	400
	EBB	10100	1789	1420	1127	984	894	830

**Note:** The basic rating is the maximum dynamic radial load which will allow a 90% survival rate when running at 33-1/3 RPM for 500 hours.

$$\text{Equivalent Rating} = 3 \sqrt{\frac{\text{Basic Rating}}{\text{Hours} \times 60 \times \text{RPM} / 1,000,000}}$$

$$\text{Hours} = \frac{\text{Basic Rating}^3 \times 1,000,000}{\text{Load (Lbs.)}^3 \times 60 \times \text{RPM}}$$

# Sure-Grip® Bushings



## Installation Instructions

The Sure-Grip tapered, QD-type interchangeable bushing offers flexible and easy installation while providing exceptional holding power. To ensure that the bushing performs as specified, it must be installed properly.

Before beginning, make sure the correct size and quantity of parts are available for the installation. The bushing has been manufactured to accept a setscrew over the key and its use is optional. It is packaged with the hardware on sizes SH to M and loosely installed in the bushing on sizes N to S.

### To Install:

#### IMPORTANT:

#### DO NOT USE LUBRICANTS IN THIS INSTALLATION!

1. Inspect the tapered bore of the sheave and the tapered surface of the bushing. Any paint, dirt, oil, or grease **MUST** be removed.
2. Select the type of mounting (See Fig. 1 or 2) that best suits your application.

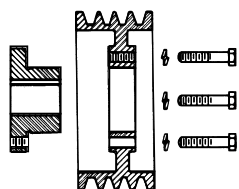


Fig. 1

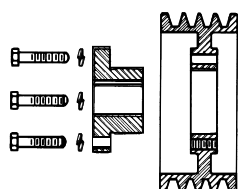
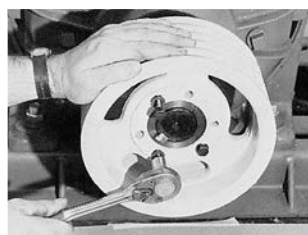


Fig. 2

3. **STANDARD MOUNTING:** Install shaft key. (Note: If key was furnished with bushing, you must use that key.) Install bushing on clean shaft, flange end first. If bushing will not freely slide on the shaft, insert a screwdriver or similar object into the flange sawcut to act as a wedge to open the bushing's bore. **Caution: Excessive wedging will split the bushing.** If using the setscrew, tighten it just enough to prevent the bushing from sliding on the shaft. **Caution: Do not over-tighten setscrew!** Slide sheave into position on bushing aligning the drilled holes in the sheave with the tapped holes in the bushing flange. (Note: Install M thru S bushings so that the two tapped holes in the sheave are located as far away as possible from the bushing's sawcut.) Loosely thread the cap screws with lockwashers into the assembly. **DO NOT USE LUBRICANT ON THE CAP SCREWS!**
4. **REVERSE MOUNTING:** With large end of the taper out, slide sheave onto shaft as far as possible. Install shaft key. (See shaft key note in #3 above.) Install bushing onto shaft so tapered end will mate with sheave. (See wedging note in #3 above.) If using the setscrew, tighten it enough to prevent the bushing from sliding on the shaft. **Caution: Do not over-tighten setscrew!** Pull the sheave up on the bushing, aligning the drilled holes in the bushing flange with the tapped holes in the sheave. Loosely thread the cap screws with lockwashers into the assembly. **DO NOT USE LUBRICANT ON THE CAP SCREWS!**
5. Using a torque wrench, tighten all cap screws evenly and progressively in rotation to the torque value in Table. There must be a gap between the bushing flange and sheave hub when installation is complete. **DO NOT OVER-TORQUE! DO NOT ATTEMPT TO CLOSE GAP BETWEEN BUSHING FLANGE AND SHEAVE HUB!**

### To Remove:

1. Relieve drive tension by shortening the center distance between driver and driven sheaves.
2. Lift off belts.
3. Loosen and remove cap screws. If the bushings have keyway setscrews, loosen them.
4. As shown below, insert cap screws (three in JA through J bushings, two in QT and M thru W bushings and four in S bushing) in tapped removal holes and progressively tighten each one until mating part is loose on bushing. (Exception: If mating part is installed with cap screw heads next to motor, with insufficient room to insert screws in tapped holes, loosen cap screws and use wedge between bushing flange and mating part.)
5. Remove mating part from bushing and, if necessary, bushing from shaft.



### SURE-GRIP BUSHINGS SCREW TIGHTENING INFORMATION

Tapered Bushing	Size & Thread of Cap Screw	Ft.-Lbs. To Apply With Torque Wrench
QT	1/4 x 20	9
JA	No. 10 - 24	5
SH-SDS-SD	1/4 - 20	9
SK	5/16 - 18	15
SF	3/8 - 16	30
E	1/2 - 13	60
F	9/16 - 12	110
J	5/8 - 11	135
JS	5/8 - 11	100
M	3/4 - 10	225
MS	3/4 - 10	150
N	7/8 - 9	300
NS	7/8 - 9	200
P	1 - 8	450
PS	1 - 8	300
W	1-1/8 - 7	600
WS	1-1/8 - 7	400
S	1-1/4 - 7	750
SS	1-1/4 - 7	500

**CAUTION:** The tightening force on the screws is multiplied many times by the wedging action of the tapered surface. If extreme tightening force is applied, or if a lubricant is used, bursting pressures will be created in the hub of the mating part.

# Wood's Metric Sure-Grip® QD Bushings (with metric hardware)

**A2**



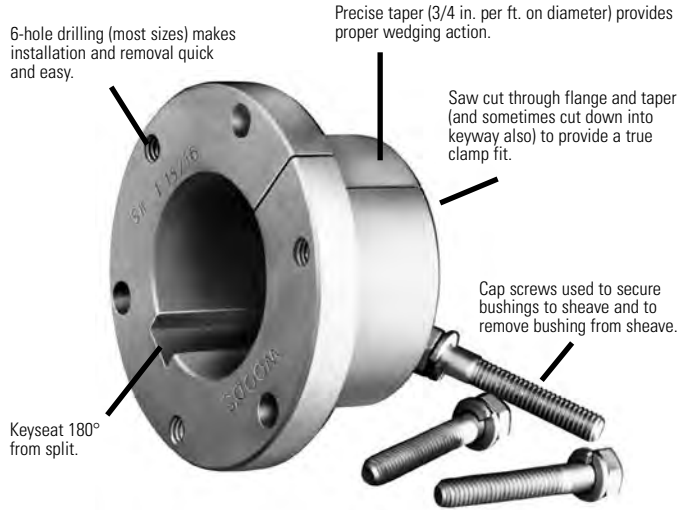
- **Provide a True Clamp Fit**
- **Are Easy to Install and Remove**
- **Permit Four-Way Mounting**

# Metric Sure-Grip® Bushings

## Features

Sure-Grip® “Quick Detachable” bushings are easy to install and remove. They are split through flange and taper to provide a true clamp on the shaft that is the equivalent of a shrink fit. All sizes except JA and QT have a setscrew over the key to help

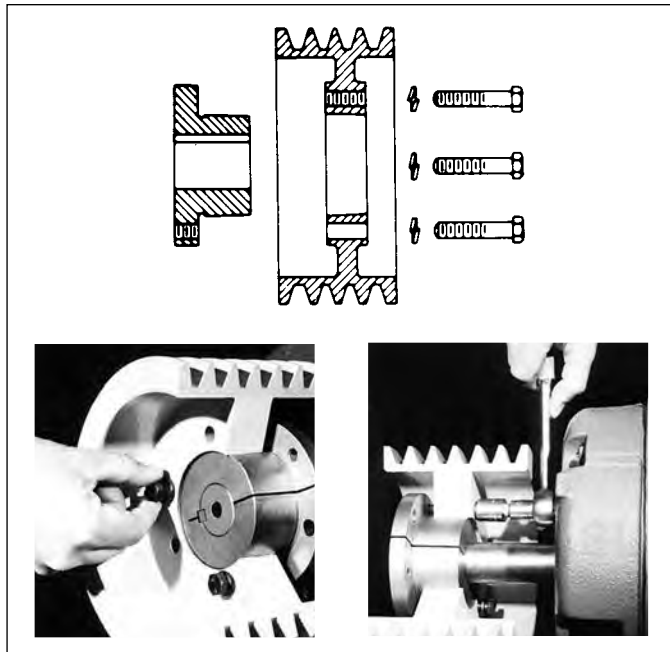
maintain the bushing’s position on the shaft until the cap screws are securely tightened. Sure-Grip bushings have a very gradual taper (3/4-inch taper per ft. on the diameter) which is about half the inclined angle of many other bushings. The result is the Sure-Grip securely clamps the shaft, with twice the force of those competitive bushings, to provide extreme holding power.



Versatile Sure-Grip bushings permit the mounting of the same mating part on shafts of different diameters, and the mounting of different sheaves on the same shaft using the same bushing. Their interchangeability extends through sheaves, pulleys, timing pulleys, sprockets, flexible and rigid couplings, made-to-order items by Wood’s, and to product lines of several other mechanical power transmission manufacturers.

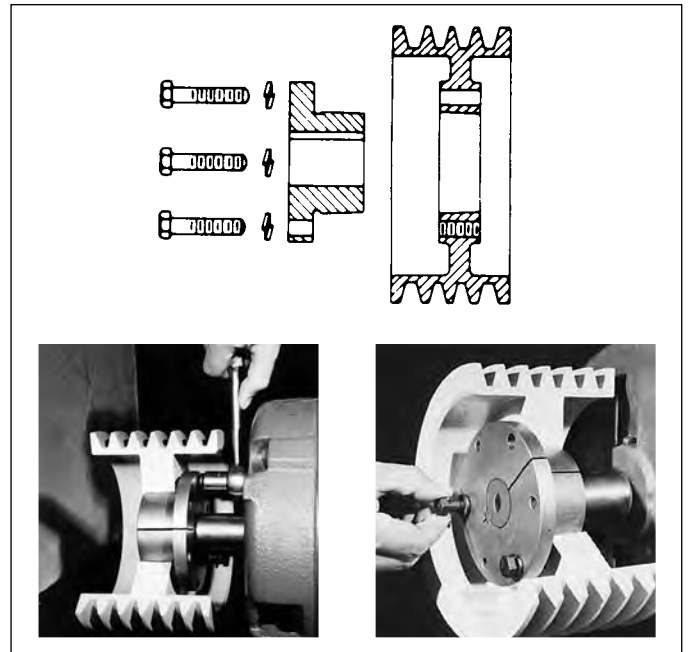
Sure-Grip bushings are manufactured with the drilled and tapped holes located at a precise distance from the keyseat; thus, a wide mating part having a bushing in each end can be mounted on a common shaft with the two keyways in line. This feature not only facilitates installation but also permits both bushings to carry an equal share of the load.

## STANDARD MOUNTING



- 1.** Cap screws from outside through drilled holes in the mating part and into threaded holes in the bushing flange located on the inside of the assembly. Or the complete assembly reversed on the shaft and;
- 2.** Cap screws from inside through drilled holes in the mating part and into threaded holes in the bushing flange located on the outside of the assembly.

## REVERSE MOUNTING



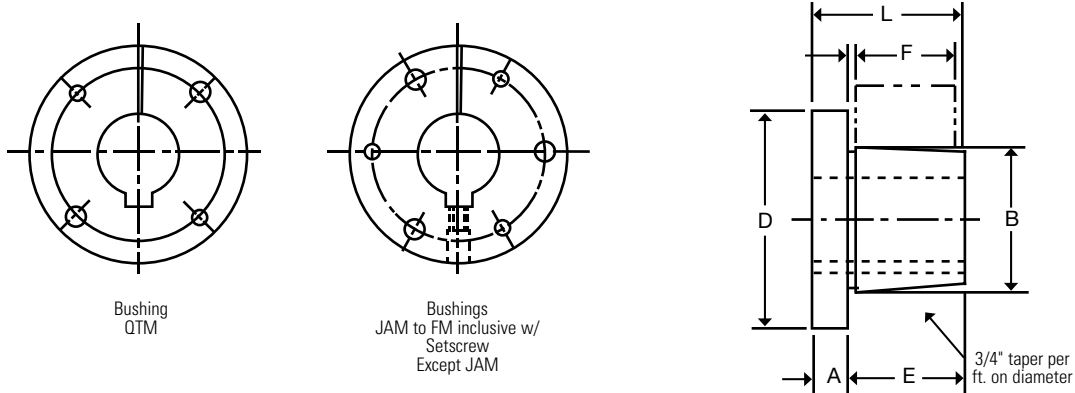
- 3.** Cap screws from inside through drilled holes in the bushing flange located on the inside of the assembly and into threaded holes in the mating part.
- 4.** Cap screws from outside through drilled holes in the bushing flange-located on the outside of the assembly and into threaded holes in the mating part.



## Dimensions

Sure-Grip bushings are designed to transmit the rated torque capacity listed in the table below when the cap screws are tightened as indicated. The bushings are stocked in all popular bore sizes, including metric bores, within the bore range for a particular bushing.

NOTE: Mating hub must have metric drilling.



### SURE-GRIP BUSHING TORQUE RATINGS AND DIMENSIONS

Metric Bushing	Torque Capacity (NM)	Max. Bore (Note 1)	DIMENSIONS IN MILLIMETERS						Cap Screw Bolt Circle	Screws Required
			A	B	D	E	F*	L		
QTM	198	30	6.4	41.3	63.5	25.4	22.2	31.8	50.8	2 - M6
JAM	198	23	7.9	34.9	50.8	17.5	14.3	25.4	42.1	3 - M5
SHM	395	36	9.5	47.5	68.3	22.2	20.6	31.8	57.2	3 - M6
SDSM	565	42	11.1	55.6	81.0	22.2	19.1	33.3	68.3	3 - M6
SDM	565	42	11.1	55.6	81.0	34.9	31.8	46.0	68.3	3 - M6
SKM	791	56	12.7	71.4	98.4	34.9	31.8	47.6	84.1	3 - M8
SFM	1243	63	12.7	79.4	117.5	38.1	31.8	50.8	98.4	3 - M10
EM	2260	78	19.1	97.4	152.4	47.6	41.3	66.7	127.0	3 - M12
FM	4519	90	20.6	112.7	168.3	71.4	63.5	92.1	142.9	3 - M16

\* Mating hub length.

1. MAX MM BORE WITH STANDARD KEYSEAT.

See pages A2-4 for Bore and Keyseat information and weights.

# Metric Sure-Grip® Bushings

## Bore And Keyseat Dimensions

Product No.	Bore (mm)	Key	Wt.
<b>QTM BUSHINGS</b>			
QTMMPB	10	NONE	0.6
QTM10MM	10	4 x 4	0.6
QTM11MM	11	4 x 4	0.6
QTM14MM	14	5 x 5	0.6
QTM15MM	15	5 x 5	0.6
QTM16MM	16	5 x 5	0.6
QTM19MM	19	6 x 6	0.6
QTM20MM	20	6 x 6	0.6
QTM24MM	24	8 x 7	0.6
QTM25MM	25	8 x 7	0.6
QTM28MM	28	8 x 7	0.6
QTM30MM	30	8 x 7	0.6
QTM32MM	32	10 x 6†	0.6
QTM38MM	38	10 x 6†	0.6
<b>JAM BUSHINGS</b>			
JAMMPB	10	NONE	0.8
JAM10MM	10	4 x 4	0.8
JAM11MM	11	4 x 4	0.8
JAM14MM	14	5 x 5	0.8
JAM15MM	15	5 x 5	0.8
JAM19MM	19	6 x 6	0.8
JAM20MM	20	6 x 6	0.8
JAM24MM	24	8 x 6†	0.8
JAM25MM	25	8 x 6†	0.8
JAM28MM	28	8 x 5†	0.8
<b>SHM BUSHINGS</b>			
SHMMPB	10	NONE	1.1
SHM10MM	10	4 x 4	1.1
SHM11MM	11	4 x 4	1.1
SHM14MM	14	5 x 5	1.1
SHM15MM	15	5 x 5	1.1
SHM19MM	19	6 x 6	1.0
SHM20MM	20	6 x 6	1.0
SHM24MM	24	8 x 7	1.0
SHM25MM	25	8 x 7	1.0
SHM28MM	28	8 x 7	0.9
SHM30MM	30	8 x 7	0.8
SHM32MM	32	10 x 8	0.8
SHM35MM	35	10 x 8	0.7
SHM38MM	38	10 x 7†	0.7
SHM40MM	40	12 x 6†	0.6

† SHALLOW KEY FURNISHED

Product No.	Bore (mm)	Key	Wt.
<b>SDSM BUSHINGS</b>			
SDSMMPB	10	NONE	1.7
SDSM15MM	15	5 x 5	1.6
SDSM19MM	19	6 x 6	1.6
SDSM20MM	20	6 x 6	1.6
SDSM24MM	24	8 x 7	1.5
SDSM25MM	25	8 x 7	1.5
SDSM28MM	28	8 x 7	1.4
SDSM30MM	30	8 x 7	1.4
SDSM32MM	32	10 x 8	1.4
SDSM35MM	35	10 x 8	1.2
SDSM38MM	38	10 x 8	1.1
SDSM40MM	40	12 x 8	1.0
SDSM42MM	42	12 x 8	1.0
SDSM48MM	48	14 x 7†	0.9
<b>SDM BUSHINGS</b>			
SDMMPB	15	NONE	2.0
SDM15MM	15	5 x 5	2.0
SDM19MM	19	6 x 6	1.9
SDM20MM	20	6 x 6	1.9
SDM24MM	24	8 x 7	1.9
SDM25MM	25	8 x 7	1.9
SDM28MM	28	8 x 7	1.7
SDM30MM	30	8 x 7	1.7
SDM35MM	35	10 x 8	1.5
SDM38MM	38	10 x 8	1.4
SDM40MM	40	12 x 8	1.3
SDM42MM	42	12 x 8	1.2
SDM48MM	48	14 x 7†	1.0
<b>SKM BUSHINGS</b>			
SKMMPB	15	NONE	3.6
SKM19MM	19	6 x 6	3.5
SKM20MM	20	6 x 6	3.5
SKM24MM	24	8 x 7	3.4
SKM28MM	28	8 x 7	3.2
SKM30MM	30	8 x 7	3.2
SKM32MM	32	10 x 8	3.2
SKM35MM	35	10 x 8	1.5
SKM38MM	38	10 x 8	2.9
SKM40MM	40	12 x 8	2.8
SKM42MM	42	12 x 8	2.7
SKM48MM	48	14 x 9	2.4
SKM50MM	50	14 x 9	2.3
SKM55MM	55	16 x 10	2.0
SKM60MM	60	18 x 8†	1.7

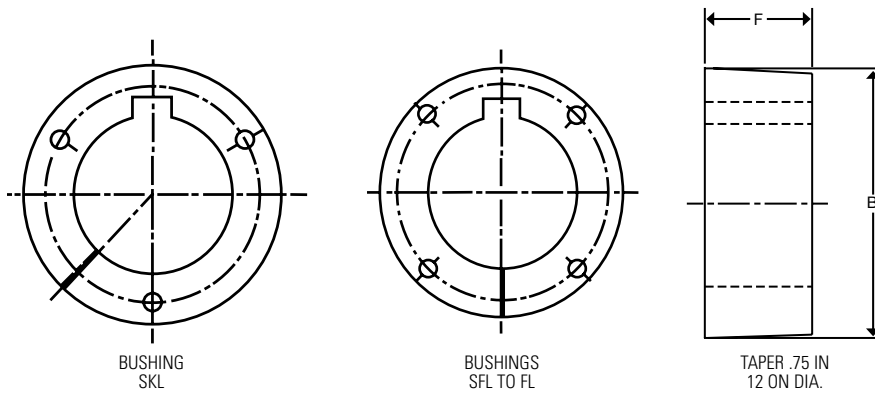
Product No.	Bore (mm)	Key	Wt.
<b>SFM BUSHINGS</b>			
SFMMPB	15	NONE	5.1
SFM20MM	20	6 x 6	5.0
SFM24MM	24	8 x 7	4.8
SFM28MM	28	8 x 7	4.7
SFM30MM	30	8 x 7	4.6
SFM35MM	35	10 x 8	4.4
SFM38MM	38	10 x 8	4.2
SFM40MM	40	12 x 8	4.2
SFM42MM	42	12 x 8	4.1
SFM48MM	48	14 x 9	3.7
SFM50MM	50	14 x 9	3.5
SFM55MM	55	16 x 10	3.2
SFM60MM	60	18 x 11	3.0
<b>EM BUSHINGS</b>			
EMMPB	20	NONE	10.8
EM28MM	28	8 x 7	10.6
EM30MM	30	8 x 7	10.5
EM38MM	38	10 x 8	10.0
EM40MM	40	12 x 8	9.9
EM42MM	42	12 x 8	9.8
EM48MM	48	14 x 9	9.3
EM50MM	50	14 x 9	9.2
EM55MM	55	16 x 10	8.6
EM60MM	60	18 x 11	8.1
EM70MM	70	20 x 12	7.1
<b>FM BUSHINGS</b>			
FMMPB	20	NONE	18.0
FM30MM	30	8 x 7	17.6
FM38MM	38	10 x 8	16.9
FM40MM	40	12 x 8	16.8
FM42MM	42	12 x 8	16.7
FM48MM	48	14 x 9	18.0
FM50MM	50	14 x 9	15.7
FM55MM	55	16 x 10	15.0
FM60MM	60	18 x 11	14.3
FM70MM	70	20 x 12	12.9

# Metric Sure-Grip® L Series Flangeless Bushings

## Dimensions

Metric Bushing	Torque Capacity (NM)	Material Type	Max. Bore (Note 1)	DIMENSIONS IN MILLIMETERS		Cap screw Bolt Circle	Screws Required
				B	F		
SKLM	791	D.I.	50	71.4	28.6	60.3	3 - M6
SFLM	1243	D.I.	60	79.4	28.6	69.9	4 - M6
ELM	2260	D.I.	73	97.4	38.1	85.7	4 - M8
FLM	5084	D.I.	80	112.7	60.3	95.3	4 - M10

1. MAX BORE WITH KEYSEAT.



Patent No. 5304101

Product Number	Bore	Key	Weight Lbs.
SKLMMPB	15	None	1.7
SFLMMPB	15	None	2.1
ELMMPB	20	None	4.1
FLMMPB	20	None	8.7

### To Install:

#### IMPORTANT: DO NOT USE LUBRICANTS IN THIS INSTALLATION

- Inspect shafts, bushing, and mating hub. Remove all nicks, paint, dirt, grease, etc. from mating surfaces.
- Place key in shaft's keyseat.
- Slide bushing onto shaft and key. **Small End of Taper Must Be Outboard.**
- Slide tapered mating hub over bushing. Align (1) the shaft key with one of the slots in the mating hub and (2) the drilled holes in mating hub with the threaded holes in the bushing.
- Put lockwashers on cap screws and insert one cap screw thru each drilled hole in the mating hub and into the threaded hole in the bushing.
- Use a Torque Wrench.** Tighten all cap screws evenly and progressively in rotation. Torque around all the cap screws as often as necessary until the listed torque value remains on each cap screw.

### To Remove:

- Loosen and remove all cap screws from assembly.
- Install one cap screw in each threaded hole in the mating hub.
- Evenly torque each cap screw in rotation to force the mating hub off the bushing.

Metric Bushing	Screws Required	Newton-Meters (Ft.Lbs.) To Apply With Torque Wrench
SKLM	3 - M6	20 (15)
SFLM	4 - M6	20 (15)
ELM	4 - M8	41 (30)
FLM	4 - M10	75 (55)

**CAUTION**  
The use of lubricants or excessive wrench torques may cause hub stresses high enough to break the mating hub!

# Metric Sure-Grip® Bushings



## Installation Instructions

The Sure-Grip tapered, QD-type interchangeable bushing offers flexible and easy installation while providing exceptional holding power. To ensure that the bushing performs as specified, it must be installed properly.

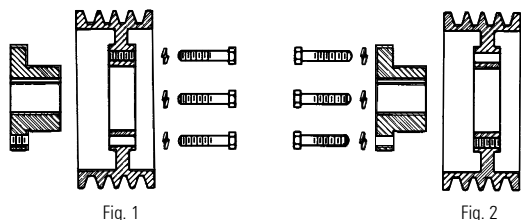
Before beginning, make sure the correct size and quantity of parts are available for the installation. The bushing has been manufactured to accept a setscrew over the key and its use is optional. It is packaged with the hardware on sizes QT to J.

### To Install:

#### IMPORTANT:

#### DO NOT USE LUBRICANTS IN THIS INSTALLATION!

1. Inspect the tapered bore of the sheave and the tapered surface of the bushing. Any paint, dirt, oil, or grease **MUST** be removed.
2. Select the type of mounting (See Fig. 1 or 2) that best suits your application.



3. **STANDARD MOUNTING:** Install shaft key. (Note: If key was furnished with bushing, you must use that key.) Install bushing on clean shaft, flange end first. If bushing will not freely slide on the shaft, insert a screwdriver or similar object into the flange sawcut to act as a wedge to open the bushing's bore. **Caution: Excessive wedging will split the bushing.** If using the setscrew, tighten it just enough to prevent the bushing from sliding on the shaft. **Caution: Do not over-tighten setscrew!** Slide sheave into position on bushing aligning the drilled holes in the sheave with the tapped holes in the bushing flange. Loosely thread the cap screws with lockwashers into the assembly. **DO NOT USE LUBRICANT ON THE CAP SCREWS!**

4. **REVERSE MOUNTING:** With large end of the taper out, slide sheave onto shaft as far as possible. Install shaft key. (See shaft key note in #3 above.) Install bushing onto shaft so tapered end will mate with sheave. (See wedging note in #3 above.) If using the setscrew, tighten it enough to prevent the bushing from sliding on the shaft. **Caution: Do not over-tighten setscrew!** Pull the sheave up on the bushing, aligning the drilled holes in the bushing flange with the tapped holes in the sheave. Loosely thread the cap screws with lockwashers into the assembly. **DO NOT USE LUBRICANT ON THE CAP SCREWS!**

5. Using a torque wrench, tighten all cap screws evenly and progressively in rotation to the torque value in Table. There must be a gap between the bushing flange and sheave hub when installation is complete. **DO NOT OVER-TORQUE! DO NOT ATTEMPT TO CLOSE GAP BETWEEN BUSHING FLANGE AND SHEAVE HUB!**

### To Remove:

1. Relieve drive tension by shortening the center distance between driver and driven sheaves.
2. Lift off belts.
3. Loosen and remove cap screws. If the bushings have keyway setscrews, loosen them.
4. As shown below, insert cap screws (three in JA through J bushings, two in QT bushings) in tapped removal holes and progressively tighten each one until mating part is loose on bushing. (Exception: If mating part is installed with cap screw heads next to motor, with insufficient room to insert screws in tapped holes, loosen cap screws and use wedge between bushing flange and mating part.)
5. Remove mating part from bushing and, if necessary, bushing from shaft.



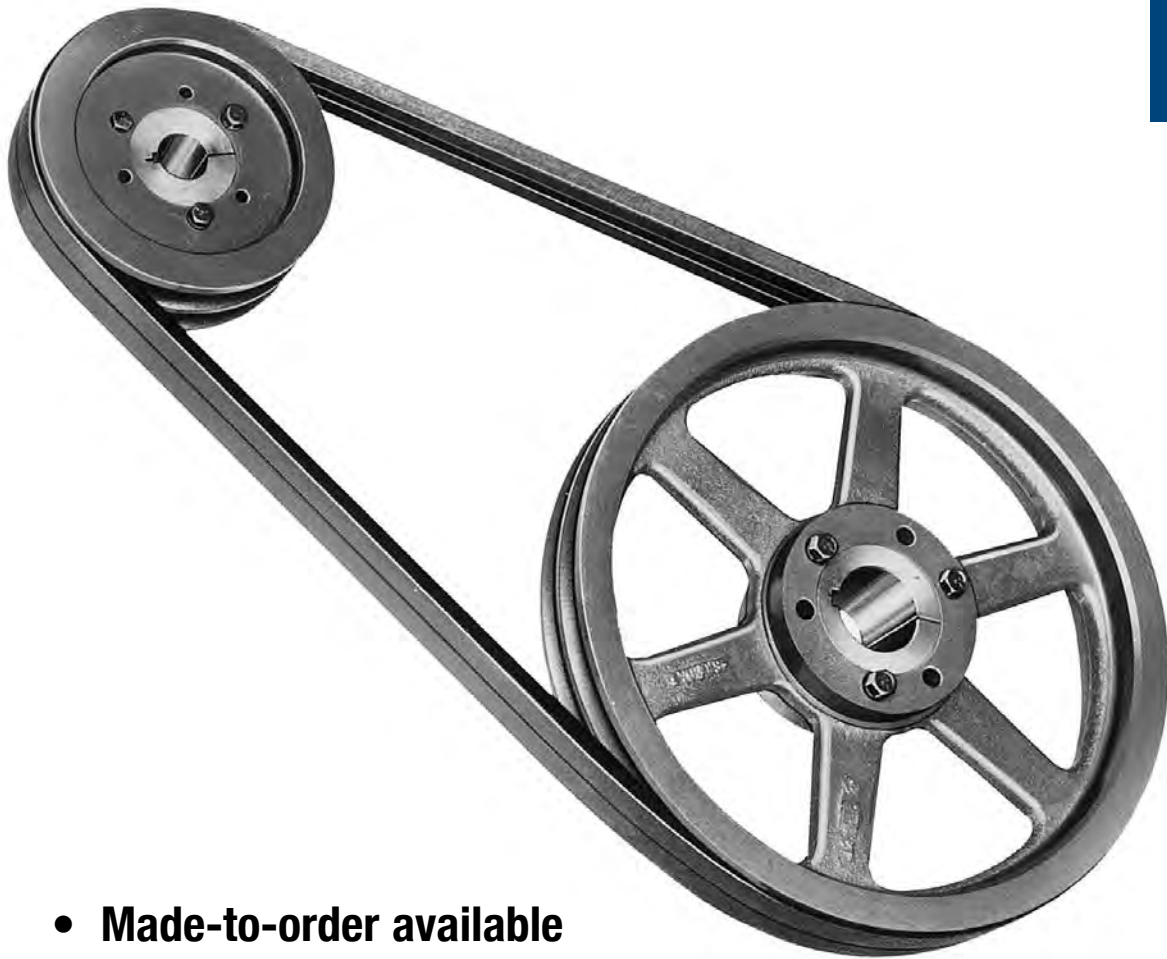
### SCREW TIGHTENING INFORMATION

Tapered Bushing	Size & Thread of Cap Screw	Newton-Meters (Ft.-Lbs.) To Apply With Torque Wrench
QT	M6 x 1.0	12 (9)
JA	M5 x 0.8	7 (5)
SH-SDS-SD	M6 x 1.0	12 (9)
SK	M8 x 1.25	20 (15)
SF	M10 x 1.5	41 (30)
E	M12 x 1.75	81 (60)
F	M16 x 2.0	149 (110)
J	M16 x 2.0	183 (135)

**CAUTION:** The tightening force on the screws is multiplied many times by the wedging action of the tapered surface. If extreme tightening force is applied, or if a lubricant is used, bursting pressures will be created in the hub of the mating part.

# Narrow (Ultra-V) Sheaves

**B1**

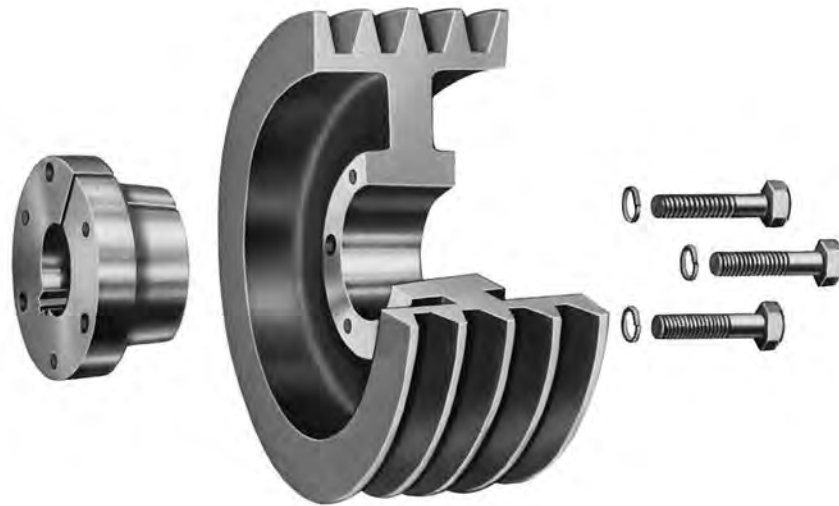


- **Made-to-order available**
- **Are Easy to Install and Remove**
- **Bored to suit construction**

# Sure-Grip® Narrow (Ultra-V) Sheave

## Features

Wood's Ultra-V sheaves are constructed of fine grain, high tensile cast iron, and have been carefully engineered to assure maximum performance over a long life span. Behind each sheave is one of the most extensive engineering design and testing programs in the industry.



With the advent of higher V-belt ratings, Wood's engineers instituted additional careful test programs to ensure that each Wood's sheave would be capable of safely and dependably delivering the increased performance which was required by the new ratings. Wood's engineers, using a special strain gage test stand, subject sheaves to tension and compression stresses far in excess of those encountered in actual operation.

In another standard test procedure, Wood's sheaves are operated at extremely high speeds. Sheaves are selected from warehouse stocks and tested until they are burst by centrifugal force. Such destructive testing allows Wood's engineers to study the effects of construction and balance on sheave performance. The goal is to assure safe operation at normal speeds. Other continuing programs check product quality in the laboratory and on the manufacturing line.

For applications with special requirements, Wood's sheaves are also available on a made-to-order basis in either cast or ductile iron, and in Sure-Grip or bored-to-suit construction.

Wood's stock narrow sheaves are available with the convenient Sure-Grip QD type bushing. Easy to install and remove, these split, tapered bushings grip the shaft with the equivalent of a shrink fit. This tight holding power eliminates freezing and fretting

corrosion between the shaft and the bore and assures quick removal and interchangeability when necessary.

Stock sheaves are designed to carry the loads of all belts shown in this catalog and other similarly rated V-Belts. For special higher rated V-Belts, consult Wood's Engineering Department for recommendations.



**We cast or stamp the maximum safe operating speed, in rpm, on all sheaves we manufacture.**



# Narrow (Ultra-V) Sheave

## Dimensions

### STANDARD GROOVE DIMENSIONS

Belt	GROOVE DIMENSIONS IN INCHES								Angle of Groove	Used on O.D.
	A	B	C	E	W	T	U			
3V	11/32	13/32	0	.350	.350	.056	.123	36	Under 3.5	
								38	3.5 to 6.0	
								40	6.01 to 12.0	
								42	12.01, Over	
5V	1/2	11/16	0	.600	.600	.0875	.187	38	Under 10.0	
							.163	40	10.0 to 16.0	
							.139	42	16.01, Over	
8V	3/4	1-1/8	0	1.000	1.000	.125	.312	38	Under 16.0	
							.272	40	16.0 to 22.4	
							.232	42	22.41, Over	

### STANDARD SHEAVE FACE WIDTHS

Belt	1	2	3	4	5	6	7	8	9	10	11	12	13	14	15	16	17	18	For Each Additional Groove Add
3V	11/16*	1-3/32	1-1/2	1-29/32	2-5/16	2-23/32	3-1/8	3-17/32	3-15/16	4-11/32	4-3/4	5-5/32	5-9/16	5-31/32	6-3/8	6-25/32	7-3/16	7-19/32	13/32
5V	1	1-11/16	2-3/8	3-1/16	3-3/4	4-7/16	5-1/8	5-13/16	6-1/2	7-3/16	7-7/8	8-9/16	9-1/4	9-15/16	10-5/8	11-5/16	12	12-11/16	11/16
8V**	1-1/2	2-5/8	3-3/4	4-7/8	6	7-1/8	8-1/4	9-3/8	10-1/2	11-5/8	12-3/4	13-7/8	15	16-1/8	17-1/4	18-3/4	19-7/8	21	1-1/8

\* For 10.6 to 13.9 outside diameters face width = 3/4". For outside diameters 14.0 and over face width = 13/16.

\*\* Sheaves 16 grooves and over have 3/8" additional metal added to overall face width.

### DEEP GROOVE DIMENSIONS

Belt	A	B	C	E	W	T	U	Angle of Groove	Used on O.D.
3V	3/8	1/2	.109	.459	.421	.079	.123	36	Under 3.72
					.425	.075	.109	38	3.72 to 6.22
					.429	.071	.095	40	6.23 to 12.22
					.434	.067	.081	42	12.22, Over
5V	9/16	13/16	.160	.760	.710	.102	.187	38	Under 10.32
					.716	.096	.163	40	10.32 to 16.32
					.723	.090	.139	42	16.32, Over
8V	27/32	1-5/16	.262	1.262	1.180	.132	.312	38	Under 16.52
					1.191	.123	.272	40	16.52 to 22.92
					1.201	.113	.232	42	22.92, Over

### DEEP GROOVE SHEAVE FACE WIDTHS

Belt	1	2	3	4	5	6	7	8	9	10	11	12	13	14	15	16	17	18	For Each Additional Groove Add
3V	3/4	1-1/4	1-3/4	2-1/4	2-3/4	3-1/4	3-3/4	4-1/4	4-3/4	5-1/4	5-3/4	6-1/4	6-3/4	7-1/4	7-3/4	8-1/4	8-3/4	9-1/4	1/2
5V	1-1/8	1-15/16	2-3/4	3-3/16	4-3/8	5-3/16	6	6-13/16	7-5/8	8-7/16	9-1/4	10-1/16	10-7/8	11-11/16	12-1/2	13-5/16	14-1/8	14-15/16	13/16
8V	1-11/16	3	4-5/16	5-5/8	6-15/16	8-1/4	9-3/16	10-7/8	12-3/16	13-1/2	14-13/16	16-1/8	17-7/16	18-3/4	20-1/16	21-3/8	22-11/16	24	1-5/16

# Stock Narrow (Ultra-V) Sheaves 3V

## Dimensions

These sheaves are designed to carry the loads of all belts shown in this catalog and other similarly rated V-Belts. For special higher rated V-Belts, consult Wood's Engineering Department for recommendations.

The sheaves listed below are all stock sizes. The dimensions given are with the Sure-Grip bushings in place. When ordering, specify the bushing, if required, and the bore size. The figure following the letter in the "Type" column indicates the sheave construction: 1 – Solid, 2 – Web, 3 – Arms.

### DIMENSIONS (In Inches)

O.D. ◆	I.D.	Product No.	1 GROOVE							Product No.	2 GROOVE						
			*F = 11/16								F = 1-3/32						
			Bush.	Type	E	K	L	M	Wt.		Bush.	Type	E	K	L	M	Wt.
2.20†	-	3V221	JA	E1	19/32	7/16	1	29/32	0.9	3V222	JA	E1	1	7/16	1	29/32	1.1
2.35†	-	3V2351	JA	E1	19/32	7/16	1	29/32	1.2	3V2352	JA	E1	1	7/16	1	29/32	1.4
2.50†	-	3V251	JA	E1	19/32	7/16	1	29/32	1.3	3V252	JA	E1	1	7/16	1	29/32	1.5
2.65	2.00	3V2651	JA	D1	13/32	1/16	1	3/32	0.9	3V2652	JA	D1	11/32	1/8	1	7/16	1.2
2.80	2.00	3V281	JA	D1	13/32	1/16	1	3/32	1.0	3V282	JA	D1	11/32	1/8	1	7/16	1.3
3.00	2.00	3V301	JA	D1	13/32	1/16	1	3/32	1.1	3V302	JA	D1	11/32	1/8	1	7/16	1.5
3.15	2.00	3V3151	JA	D1	13/32	1/16	1	3/32	1.2	3V3152	JA	D1	11/32	1/8	1	7/16	1.7
3.35	2.00	3V3.351	JA	D1	13/32	1/16	1	3/32	1.4	3V3.352	SH	D1	7/16	1/8	1-1/4	9/32	1.9
3.65	2.68	3V3651	SH	C1	9/16	0	1-1/4	0	2.0	3V3652	SH	D1	7/16	1/8	1-1/4	9/32	2.4
4.12	2.88	3V4121	SH	C1	9/16	0	1-1/4	0	2.5	3V4122	SH	D1	1/4	5/16	1-1/4	3/32	2.9
4.50	3.18	3V451	SH	C1	9/16	0	1-1/4	0	3.0	3V452	SH	D1	1/4	5/16	1-1/4	3/32	3.5
4.75	3.44	3V4751	SH	C1	9/16	0	1-1/4	0	3.3	3V4752	SH	D1	1/4	5/16	1-1/4	3/32	3.9
5.00	3.68	3V501	SH	C1	9/16	0	1-1/4	0	3.6	3V502	SH	D1	1/4	5/16	1-1/4	3/32	4.2
5.30	4.00	3V531	SH	C1	9/16	0	1-1/4	0	3.8	3V532	SH	D1	1/4	5/16	1-1/4	3/32	4.7
5.60	4.25	3V561	SH	C1	9/16	0	1-1/4	0	4.2	3V562	SH	D1	1/4	5/16	1-1/4	3/32	5.3
6.00	4.69	3V601	SH	C2	9/16	0	1-1/4	0	4.2	3V602	SH	D2	1/4	5/16	1-1/4	3/32	6.2
6.50	5.25	3V651	SH	C2	9/16	0	1-1/4	0	4.6	3V652	SDS	D1	5/16	5/16	1-5/16	3/32	7.5
6.90	5.62	3V691	SH	C2	9/16	0	1-1/4	0	4.5	3V692	SDS	D2	5/16	5/16	1-5/16	3/32	6.7
8.00	6.68	3V801	SDS	C2	5/8	0	1-5/16	0	7.0	3V802	SDS	D2	5/16	5/16	1-5/16	3/32	7.4
10.60	9.25	3V1061	SDS	D3	5/8	0	1-5/16	1/16	7.4	3V1062	SK	C3	15/32	1/4	1-7/8	5/16	13.1
14.00	12.62	3V1401	SK	C3	21/32	0	1-7/8	11/32	14.4	3V1402	SK	C3	15/32	1/4	1-7/8	5/16	19.6
19.00	17.50	3V1901	SK	C3	21/32	0	1-7/8	11/32	20.6	3V1902	SK	C3	15/32	1/4	1-7/8	5/16	24.2
25.00	-	-	-	-	-	-	-	-	-	3V2502	SF	C3	7/16	1/4	2	15/32	40.7

\*F = 3/4 for 10.60 inches O.D. – F = 13/16 for 14.00 inches and 19.00 inches O.D.

O.D. ◆	I.D.	Product No.	3 GROOVE							Product No.	4 GROOVE						
			F = 1-1/2								F = 1-29/32						
			Bush.	Type	E	K	L	M	Wt.		Bush.	Type	E	K	L	M	Wt.
2.50 †	-	3V253	JA	E1	1-13/32	7/16	1	29/32	1.8	-	-	-	-	-	-	-	-
2.65	2.00	3V2653	JA	E1	27/32	-1/8	1	11/32	1.5	3V2654	JA	E1	1-1/4	-1/8	1	11/32	1.8
2.80	2.00	3V283	JA	E1	27/32	-1/8	1	11/32	1.6	3V284	JA	E1	1-1/4	-1/8	1	11/32	1.9
3.00	1.81	3V303	SH	E1	1-3/16	3/8	1-1/4	15/16	2.3	3V304	SH	E1	1-19/32	3/8	1-1/4	15/16	2.6
3.15	1.81	3V3153	SH	E1	1-3/16	3/8	1-1/4	15/16	2.6	3V3154	SH	E1	1-19/32	3/8	1-1/4	15/16	3.0
3.35	2.68	3V3.353	SH	D1	7/16	1/8	1-1/4	11/16	2.4	3V3.354	SH	D1	7/16	1/8	1-1/4	1-3/32	2.8
3.65	2.68	3V3653	SH	D1	7/16	1/8	1-1/4	11/16	3.0	3V3654	SH	D1	7/16	1/8	1-1/4	1-3/32	3.6
4.12	2.88	3V4123	SH	A1	1/8	11/16	1-1/4	1/8	3.4	3V4124	SH	A1	1/4	13/16	1-1/4	11/32	3.9
4.50	3.31	3V453	SDS	A1	1/16	11/16	1-5/16	1/8	4.1	3V454	SDS	A1	3/16	13/16	1-5/16	13/32	4.5
4.75	3.44	3V4753	SDS	A1	1/16	11/16	1-5/16	1/8	4.6	3V4754	SDS	A1	3/16	13/16	1-5/16	13/32	5.1
5.00	3.68	3V503	SDS	A1	1/16	11/16	1-5/16	1/8	5.0	3V504	SDS	A1	3/16	13/16	1-5/16	13/32	5.6
5.30	4.07	3V533	SDS	A1	1/16	11/16	1-5/16	1/8	5.6	3V534	SDS	A1	3/16	13/16	1-5/16	13/32	6.1
5.60	4.36	3V563	SDS	A1	1/16	11/16	1-5/16	1/8	6.5	3V564	SDS	A1	3/16	13/16	1-5/16	13/32	7.7
6.00	4.69	3V603	SDS	A1	1/16	11/16	1-5/16	1/8	7.0	3V604	SK	D1	3/32	5/8	1-7/8	1/8	9.8
6.50	5.25	3V653	SDS	A2	1/16	11/16	1-5/16	1/8	7.3	3V654	SK	D1	3/32	5/8	1-7/8	1/8	11.3
6.90	5.62	3V693	SDS	A2	1/16	11/16	1-5/16	1/8	7.8	3V694	SK	D1	3/32	5/8	1-7/8	1/8	12.9
8.00	6.68	3V803	SK	D2	15/32	1/4	1-7/8	3/32	10.6	3V804	SK	D2	3/32	5/8	1-7/8	1/8	12.1
10.60	9.25	3V1063	SK	D3	15/32	1/4	1-7/8	3/32	14.7	3V1064	SK	D3	3/32	5/8	1-7/8	1/8	17.3
14.00	12.62	3V1403	SK	D3	15/32	1/4	1-7/8	3/32	21.1	3V1404	SK	D3	3/32	5/8	1-7/8	1/8	24.1
19.00	17.62	3V1903	SF	C3	7/16	1/4	2	1/16	36.3	3V1904	SF	C3	1/16	5/8	2	1/32	39.3
25.00	23.56	3V2503	SF	C3	7/16	1/4	2	1/16	45.0	3V2504	SF	C3	1/16	5/8	2	1/32	58.3
33.50	31.94	3V3353	SF	C3	7/16	1/4	2	1/16	73.8	3V3354	E	C3	13/32	1/2	2-5/8	5/16	106.3

◆ P.D. = O.D. † Recommended for use with Narrow Cog belts only.  
Weights for all Sure-Grip bushed items are approximate and include the bushing.

# Stock Narrow (Ultra-V) Sheaves 3V

## Dimensions

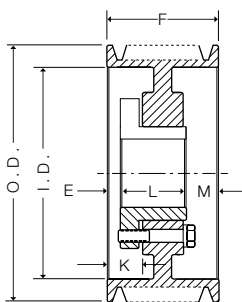
### DIMENSIONS (In Inches)

O.D. ◆	I.D.	Product No.	5 GROOVE							Product No.	6 GROOVE						
			F = 2-5/16								F = 2-23/32						
			Bush.	Type	E	K	L	M	Wt.		Bush.	Type	E	K	L	M	Wt.
4.75	3.44	3V4755	SDS	A1	3/16	13/16	1-5/16	13/16	5.7	3V4756	SK	E1	1-7/16	1/8	1-7/8	19/32	7.2
5.00	3.68	3V505	SDS	A1	3/16	13/16	1-5/16	13/16	6.2	3V506	SK	E1	1-7/16	1/8	1-7/8	19/32	8.0
5.30	4.00	3V535	SK	A1	7/32	15/16	1-7/8	7/32	8.2	3V536	SK	A1	19/32	1-5/16	1-7/8	1/4	8.9
5.60	4.31	3V565	SK	A1	7/32	15/16	1-7/8	7/32	9.1	3V566	SK	A1	19/32	1-5/16	1-7/8	1/4	9.8
6.00	4.69	3V605	SK	A1	7/32	15/16	1-7/8	7/32	10.5	3V606	SK	A1	19/32	1-5/16	1-7/8	1/4	11.2
6.50	5.25	3V655	SK	A1	7/32	15/16	1-7/8	7/32	12.1	3V656	SK	A1	19/32	1-5/16	1-7/8	1/4	12.9
6.90	5.62	3V695	SK	A1	7/32	15/16	1-7/8	7/32	13.6	3V696	SK	A1	19/32	1-5/16	1-7/8	1/4	14.5
8.00	6.63	3V805	SK	A2	7/32	15/16	1-7/8	7/32	13.6	3V806	SK	A2	5/32	7/8	1-7/8	11/16	14.7
10.60	9.25	3V1065	SK	A3	7/32	15/16	1-7/8	7/32	18.9	3V1066	SF	A3	3/16	7/8	2	17/32	22.1
14.00	12.62	3V1405	SF	A3	3/16	7/8	2	1/8	29.7	3V1406	SF	A3	3/16	7/8	2	17/32	31.9
19.00	17.62	3V1905	SF	A3	3/16	7/8	2	1/8	46.0	3V1906	E	B3	3/32	1	2-5/8	0	56.5
25.00	23.56	3V2505	E	C3	9/32	5/8	2-5/8	1/32	73.0	3V2506	E	B3	3/32	1	2-5/8	0	84.6
33.50	31.94	3V3355	E	C3	9/32	5/8	2-5/8	1/32	112.7	3V3356	E	B3	3/32	1	2-5/8	0	128.9

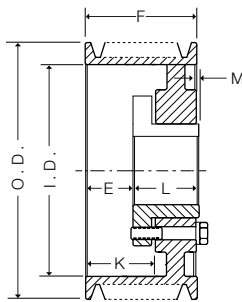
O.D. ◆	I.D.	Product No.	8 GROOVE							Product No.	10 GROOVE						
			F = 3-17/32								F = 4-11/32						
			Bush.	Type	E	K	L	M	Wt.		Bush.	Type	E	K	L	M	Wt.
4.75	3.88	3V4758	SK	E1	2-1/4	1/8	1-7/8	19/32	9.6	3V47510	SK	E1	3-1/16	1/8	1-7/8	19/32	9.6
5.00	3.88	3V508	SK	E1	2-1/4	1/8	1-7/8	19/32	9.3	3V5010	SK	E1	3-1/16	1/8	1-7/8	19/32	10.5
5.30	4.00	3V538	SK	A1	19/32	1-5/16	1-7/8	1-1/16	10.3	3V5310	SK	A1	23/32	1-7/16	1-7/8	1-3/4	11.6
5.60	4.31	3V568	SK	A1	19/32	1-5/16	1-7/8	1-1/16	11.3	3V5610	SK	A1	23/32	1-7/16	1-7/8	1-3/4	12.7
6.00	4.69	3V608	SK	A1	19/32	1-5/16	1-7/8	1-1/16	12.8	3V6010	SK	A1	23/32	1-7/16	1-7/8	1-3/4	14.4
6.50	5.25	3V658	SK	A1	19/32	1-5/16	1-7/8	1-1/16	14.6	3V6510	SK	A1	23/32	1-7/16	1-7/8	1-3/4	16.2
6.90	5.62	3V698	SK	A1	19/32	1-5/16	1-7/8	1-1/16	16.3	3V6910	SK	A1	23/32	1-7/16	1-7/8	1-3/4	18.1
8.00	6.68	3V808	SF	A1	7/16	1-1/8	2	1-3/32	22.0	3V8010	SF	A1	13/16	1-1/2	2	1-17/32	24.2
10.60	9.25	3V1068	SF	A3	7/16	1-1/8	2	1-3/32	25.2	3V10610	E	A2	11/32	1-1/4	2-5/8	1-3/8	40.1
14.00	12.62	3V1408	E	A3	11/32	1-1/4	2-5/8	9/16	50.3	3V14010	E	A3	11/32	1-1/4	2-5/8	1-3/8	54.7
19.00	17.62	3V1908	E	A3	11/32	1-1/4	2-5/8	9/16	68.4	3V19010	E	A3	11/32	1-1/4	2-5/8	1-3/8	77.6
25.00	23.56	3V2508	F	A3	11/32	1-1/4	2-5/8	9/16	99.3	3V25010	F	A3	1/4	1-5/16	3-5/8	15/32	126.2
33.50	31.94	3V3358	F	B3	0	1-1/16	3-5/8	3/32	154.7	3V33510	F	A3	1/4	1-5/16	3-5/8	15/32	188.4

◆ P.D. = O.D.

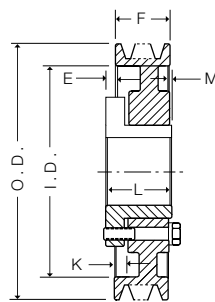
Weights for all Sure-Grip bushed items are approximate and include the bushing.



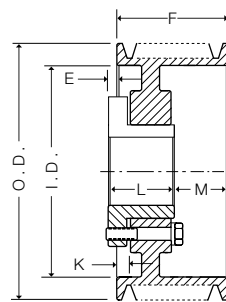
Type A



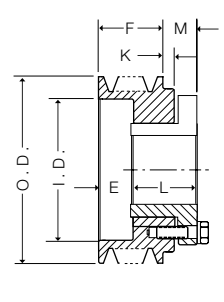
Type B



Type C



Type D



Type E

# Stock Narrow (Ultra-V) Sheaves 5V

## Dimensions

These sheaves are designed to carry the loads of all belts shown in this catalog and other similarly rated V-Belts. For special higher rated V-Belts, consult Wood's Engineering Department for recommendations.

The sheaves listed below are all stock sizes. The dimensions given are with the Sure-Grip bushings in place. When ordering, specify the bushing, if required, and the bore size. The figure following the letter in the "Type" column indicates the sheave construction: 1 – Solid, 2 – Web, 3 – Arms.

### DIMENSIONS (In Inches)

O.D. ◆	I.D.	Product No.	2 GROOVE							Product No.	3 GROOVE						
			F = 1-11/16								F = 2-3/8						
			Bush.	Type	E	K	L	M	Wt.		Bush.	Type	E	K	L	M	Wt.
4.4 †	2.72	5V442	SH	A1	1/8	11/16	1-1/4	5/16	4.0	5V443	SDS	E1	1-11/16	0	1-5/16	5/8	5.2
4.65 †	2.94	5V4652	SDS	E1	13/16	3/16	1-5/16	7/16	4.3	5V4653	SDS	E1	1-11/16	0	1-5/16	5/8	5.8
4.9 †	3.25	5V492	SDS	A1	1/16	11/16	1-5/16	5/16	4.8	5V493	SDS	A1	7/16	1-1/16	1-5/16	5/8	6.3
5.2 †	3.50	5V522	SDS	A1	1/16	11/16	1-5/16	5/16	5.4	5V523	SDS	A1	7/16	1-1/16	1-5/16	5/8	6.6
5.5 †	3.69	5V552	SDS	A1	1/16	11/16	1-5/16	5/16	6.1	5V553	SDS	A1	7/16	1-1/16	1-5/16	5/8	7.4
5.9 †	4.18	5V592	SDS	A1	1/16	11/16	1-5/16	5/16	6.8	5V593	SDS	A1	7/16	1-1/16	1-5/16	5/8	8.3
6.3 †	4.56	5V632	SK	D1	9/32	7/16	1-7/8	3/32	10.7	5V633	SK	A1	11/32	1-1/16	1-7/8	5/32	11.2
6.7 †	4.94	5V672	SK	D1	9/32	7/16	1-7/8	3/32	11.0	5V673	SK	A1	11/32	1-1/16	1-7/8	5/32	13.8
7.1	5.31	5V712	SK	D1	9/32	7/16	1-7/8	3/32	13.4	5V713	SF	A1	5/16	1	2	1/16	14.8
7.5	5.62	5V752	SK	D1	9/32	7/16	1-7/8	3/32	14.0	5V753	SF	A1	5/16	1	2	1/16	16.6
8.0	6.12	5V802	SK	D1	9/32	7/16	1-7/8	3/32	15.9	5V803	SF	A1	5/16	1	2	1/16	18.7
8.5	6.62	5V852	SK	D2	9/32	7/16	1-7/8	3/32	14.2	5V853	SF	A1	5/16	1	2	1/16	21.0
9.0	7.12	5V902	SK	D2	9/32	7/16	1-7/8	3/32	16.4	5V903	SF	A1	5/16	1	2	1/16	23.3
9.25	7.44	5V9252	SK	D2	9/32	7/16	1-7/8	3/32	16.7	5V9253	SF	A2	5/16	1	2	1/16	20.4
9.75	7.94	5V9752	SK	D3	9/32	7/16	1-7/8	3/32	14.6	5V9753	SF	A2	5/16	1	2	1/16	22.7
10.3	8.50	5V1032	SK	D3	9/32	7/16	1-7/8	3/32	16.5	5V1033	SF	A2	5/16	1	2	1/16	26.1
10.9	9.12	5V1092	SK	D3	9/32	7/16	1-7/8	3/32	17.8	5V1093	SF	A2	5/16	1	2	1/16	26.7
11.3	9.38	5V1132	SK	D3	9/32	7/16	1-7/8	3/32	18.3	5V1133	SF	A3	5/16	1	2	1/16	25.7
11.8	9.94	5V1182	SK	D3	9/32	7/16	1-7/8	3/32	19.1	5V1183	SF	A3	5/16	1	2	1/16	26.7
12.5	10.62	5V1252	SF	C3	1/4	7/16	2	1/16	21.9	5V1253	F	C3	5/32	3/4	2-5/8	3/32	35.2
13.2	11.31	5V1322	SF	C3	1/4	7/16	2	1/16	24.7	5V1323	E	C3	5/32	3/4	2-5/8	3/32	37.1
14.0	12.12	5V1402	SF	C3	1/4	7/16	2	1/16	25.9	5V1403	E	C3	5/32	3/4	2-5/8	3/32	41.0
15.0	13.12	5V1502	SF	C3	1/4	7/16	2	1/16	27.7	5V1503	E	C3	5/32	3/4	2-5/8	3/32	42.6
16.0	14.12	5V1602	SF	C3	1/4	7/16	2	1/16	30.1	5V1603	E	C3	5/32	3/4	2-5/8	3/32	45.1
18.7	16.75	5V1872	SF	C3	1/4	7/16	2	1/16	40.0	5V1873	E	C3	5/32	3/4	2-5/8	3/32	54.4
21.2	19.25	5V2122	SF	C3	1/4	7/16	2	1/16	45.0	5V2123	E	C3	5/32	3/4	2-5/8	3/32	63.0
23.6	21.62	5V2362	E	C3	5/32	3/4	2-5/8	25/32	61.7	5V2363	E	C3	5/32	3/4	2-5/8	3/32	76.0
28.0	26.00	5V2802	E	C3	5/32	3/4	2-5/8	25/32	77.5	5V2803	E	C3	5/32	3/4	2-5/8	3/32	103.6
31.5	29.50	-	-	-	-	-	-	-	-	5V3153	E	C3	1/2	9/16	3-5/8	3/4	128.4
37.5	35.25	-	-	-	-	-	-	-	-	5V3753	E	C3	1/2	9/16	3-5/8	3/4	161.9
50.0	47.38	-	-	-	-	-	-	-	-	5V5003	E	C3	1/2	9/16	3-5/8	3/4	240.0

O.D. ◆	I.D.	Product No.	4 GROOVE							Product No.	5 GROOVE						
			F = 3-1/16								F = 3-3/4						
			Bush.	Type	E	K	L	M	Wt.		Bush.	Type	E	K	L	M	Wt.
4.4 †	2.70	5V444	SD	E1	1-7/8	0	1-13/16	5/8	6.4	5V445	SD	E1	2-9/16	0	1-13/16	5/8	7.3
4.65 †	2.94	5V4654	SD	E1	1-7/8	0	1-13/16	5/8	7.1	5V4655	SD	E1	2-9/16	0	1-13/16	5/8	8.1
4.9 †	3.25	5V494	SD	A1	11/16	1-5/16	1-13/16	9/16	7.7	5V495	SD	A1	11/16	1-5/16	1-13/16	1-1/4	8.7
5.2 †	3.50	5V524	SD	A1	11/16	1-5/16	1-13/16	9/16	8.7	5V525	SD	A1	11/16	1-5/16	1-13/16	1-1/4	9.9
5.5 †	3.75	5V554	SD	A1	11/16	1-5/16	1-13/16	9/16	9.8	5V555	SD	A1	11/16	1-5/16	1-13/16	1-1/4	11.1
5.9 †	4.18	5V594	SD	A1	11/16	1-5/16	1-13/16	9/16	11.1	5V595	SK	A1	19/32	1-5/16	1-7/8	1-9/32	12.6
6.3 †	4.56	5V634	SK	A1	19/32	1-5/16	1-7/8	19/32	12.7	5V635	SK	A1	19/32	1-5/16	1-7/8	1-9/32	14.3
6.7 †	4.94	5V674	SK	A1	19/32	1-5/16	1-7/8	19/32	14.3	5V675	SF	A1	5/8	1-5/16	2	1-1/8	16.6
7.1	5.31	5V714	SF	A1	3/8	1-1/16	2	11/16	16.6	5V715	SF	A1	11/16	1-3/8	2	1-1/16	19.9
7.5	5.62	5V754	SF	A1	3/8	1-1/16	2	11/16	18.7	5V755	SF	A1	11/16	1-3/8	2	1-1/16	20.8
8.0	6.12	5V804	E	B1	17/32	1-7/16	2-5/8	3/32	25.5	5V805	E	A1	27/32	1-3/4	2-5/8	9/32	27.8
8.5	6.62	5V854	E	B1	17/32	1-7/16	2-5/8	3/32	28.4	5V855	E	A1	27/32	1-3/4	2-5/8	9/32	30.8
9.0	7.12	5V904	E	B1	17/32	1-7/16	2-5/8	3/32	31.5	5V905	E	A1	27/32	1-3/4	2-5/8	9/32	34.1
9.25	7.44	5V9254	E	B1	17/32	1-7/16	2-5/8	3/32	32.8	5V9255	E	A1	27/32	1-3/4	2-5/8	9/32	35.4
9.75	7.94	5V9754	E	B2	17/32	1-7/16	2-5/8	3/32	38.0	5V9755	E	A2	27/32	1-3/4	2-5/8	9/32	38.8
10.3	8.50	5V1034	E	B2	17/32	1-7/16	2-5/8	3/32	33.9	5V1035	E	A2	27/32	1-3/4	2-5/8	9/32	37.3
10.9	9.12	5V1094	E	B2	17/32	1-7/16	2-5/8	3/32	36.0	5V1095	E	A2	27/32	1-3/4	2-5/8	9/32	39.5
11.3	9.38	5V1134	E	B2	17/32	1-7/16	2-5/8	3/32	40.0	5V1135	E	A2	27/32	1-3/4	2-5/8	9/32	43.6
11.8	9.94	5V1184	E	B2	17/32	1-7/16	2-5/8	3/32	42.7	5V1185	E	A2	27/32	1-3/4	2-5/8	9/32	45.4
12.5	10.62	5V1254	E	B3	17/32	1-7/16	2-5/8	3/32	42.5	5V1255	E	A3	27/32	1-3/4	2-5/8	9/32	44.4
13.2	11.31	5V1324	E	B3	17/32	1-7/16	2-5/8	3/32	45.0	5V1325	E	A3	27/32	1-3/4	2-5/8	9/32	46.8
14.0	12.12	5V1404	E	B3	17/32	1-7/16	2-5/8	3/32	47.0	5V1405	E	A3	27/32	1-3/4	2-5/8	9/32	52.0
15.0	13.12	5V1504	E	B3	17/32	1-7/16	2-5/8	3/32	47.7	5V1505	E	A3	27/32	1-3/4	2-5/8	9/32	53.9
16.0	14.12	5V1604	E	B3	17/32	1-7/16	2-5/8	3/32	51.0	5V1605	E	A3	27/32	1-3/4	2-5/8	9/32	57.4
18.7	16.75	5V1874	E	A3	11/32	1-1/4	2-5/8	3/32	63.0	5V1875	F	B3	1/4	1-5/16	3-5/8	1/8	86.9
21.2	19.25	5V2124	E	A3	11/32	1-1/4	2-5/8	3/32	75.0	5V2125	F	B3	1/4	1-5/16	3-5/8	1/8	97.3
23.6	21.62	5V2364	F	C3	3/16	7/8	3-5/8	3/8	98.2	5V2365	F	B3	1/4	1-5/16	3-5/8	1/8	111.9
28.0	26.00	5V2804	F	C3	3/16	7/8	3-5/8	3/8	125.5	5V2805	F	B3	1/4	1-5/16	3-5/8	1/8	143.1
31.5	29.50	5V3154	F	C3	3/16	7/8	3-5/8	3/8	141.6	5V3155	J	C3	1/4	1	4-1/2	1/2	174.6
37.5	35.25	5V3754	F	C3	3/16	7/8	3-5/8	3/8	192.2	5V3755	J	C3	1/4	1	4-1/2	1/2	237.5
50.0	47.38	5V5004	J	C3	9/16	11/16	4-1/2	7/8	290.0	5V5005	J	C3	1/4	1	4-1/2	1/2	330.0

◆P.D. = O.D. † Recommended for use with 5VX Narrow Cog belts only.  
Weights for all Sure-Grip bushed items are approximate and include the bushing.

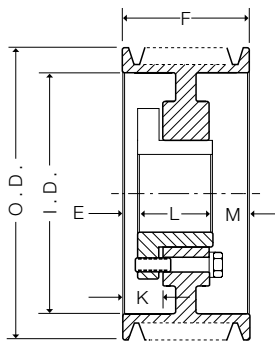
# Stock Narrow (Ultra-V) Sheaves 5V

## Dimensions

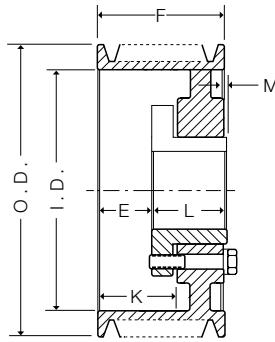
### DIMENSIONS (In Inches)

O.D. ◆	I.D.	Product No.	6 GROOVE							Product No.	7 GROOVE						
			F = 4-7/16								F = 5-1/8						
			Bush.	Type	E	K	L	M	Wt.		Bush.	Type	E	K	L	M	Wt.
4.4 †	2.70	5V446	SD	E1	3-1/4	0	1-13/16	5/8	8.3	-	-	-	-	-	-	-	-
4.65 †	2.94	5V4656	SD	E1	3-1/4	0	1-13/16	5/8	8.3	-	-	-	-	-	-	-	-
4.9 †	3.25	5V496	SD	A1	11/16	1-5/16	1-13/16	1-15/16	10.3	-	-	-	-	-	-	-	-
5.2 †	3.50	5V526	SD	A1	11/16	1-5/16	1-13/16	1-15/16	11.1	-	-	-	-	-	-	-	-
5.5 †	3.75	5V556	SD	A1	11/16	1-5/16	1-13/16	1-15/16	12.4	-	-	-	-	-	-	-	-
5.9 †	4.18	5V596	SK	A1	19/32	1-5/16	1-7/8	1-31/32	14.0	-	-	-	-	-	-	-	-
6.3 †	4.56	5V636	SK	A1	19/32	1-5/16	1-7/8	1-31/32	15.8	-	-	-	-	-	-	-	-
6.7 †	4.99	5V676	SF	A1	15/16	1-5/8	2	1-1/2	18.3	-	-	-	-	-	-	-	-
7.1	5.31	5V716	SF	A1	15/16	1-5/8	2	1-1/2	20.3	5V717	SF	A1	15/16	1-5/8	2	2-3/16	22.1
7.5	5.62	5V756	SF	A1	15/16	1-5/8	2	1-1/2	22.9	5V757	SF	A1	15/16	1-5/8	2	2-3/16	25.0
8.0	6.12	5V806	E	A1	1-3/32	2	2-5/8	23/32	30.1	5V807	E	A1	1-3/32	2	2-5/8	1-13/32	32.3
8.5	6.62	5V856	E	A1	1-3/32	2	2-5/8	23/32	30.3	5V857	E	A1	1-3/32	2	2-5/8	1-13/32	35.7
9.0	7.12	5V906	E	A1	1-3/32	2	2-5/8	23/32	36.7	5V907	E	A1	1-3/32	2	2-5/8	1-13/32	39.3
9.25	7.44	5V9256	E	A1	1-3/32	2	2-5/8	23/32	37.9	5V9257	E	A1	1-3/32	2	2-5/8	1-13/32	40.4
9.75	7.94	5V9756	E	A1	1-3/32	2	2-5/8	23/32	41.5	5V9757	E	A1	1-3/32	2	2-5/8	1-13/32	44.1
10.3	8.50	5V1036	E	A2	1-3/32	2	2-5/8	23/32	40.6	5V1037	F	B1	1-1/2	2-9/16	3-5/8	0	60.5
10.9	9.12	5V1096	E	A2	1-3/32	2	2-5/8	23/32	45.8	5V1097	F	B1	1-1/2	2-9/16	3-5/8	0	67.1
11.3	9.38	5V1136	E	A2	1-3/32	2	2-5/8	23/32	47.8	5V1137	F	B1	1-1/2	2-9/16	3-5/8	0	73.3
11.8	9.94	5V1186	E	A2	1-3/32	2	2-5/8	23/32	50.4	5V1187	F	B2	1-1/2	2-9/16	3-5/8	0	64.3
12.5	10.62	5V1256	F	B2	1	2-1/16	3-5/8	3/16	65.1	5V1257	F	B2	1-1/2	2-9/16	3-5/8	0	69.0
13.2	11.31	5V1326	F	B2	1	2-1/16	3-5/8	3/16	69.6	5V1327	F	B2	1-1/2	2-9/16	3-5/8	0	73.8
14.0	12.12	5V1406	F	B2	1	2-1/16	3-5/8	3/16	74.6	5V1407	F	B2	1-1/2	2-9/16	3-5/8	0	79.1
15.0	13.12	5V1506	F	B3	1	2-1/16	3-5/8	3/16	72.1	5V1507	F	B3	1-1/2	2-9/16	3-5/8	0	76.9
16.0	14.12	5V1606	F	B3	1	2-1/16	3-5/8	3/16	76.4	5V1607	F	B3	1-1/2	2-9/16	3-5/8	0	82.5
18.7	16.75	5V1876	F	A3	1/4	1-5/16	3-5/8	9/16	93.3	5V1877	F	A3	1/4	1-5/16	3-5/8	1-1/4	99.6
21.2	19.25	5V2126	F	A3	1/4	1-5/16	3-5/8	9/16	106.5	5V2127	J	A3	1/16	1-5/16	4-1/2	9/16	131.2
23.6	21.62	5V2366	J	B3	1/16	1-5/16	4-1/2	1/8	133.4	5V2367	J	A3	1/16	1-5/16	4-1/2	9/16	141.7
28.0	26.00	5V2806	J	B3	1/16	1-5/16	4-1/2	1/8	169.1	5V2807	J	A3	1/16	1-5/16	4-1/2	9/16	181.0
31.5	29.50	5V3156	J	B3	1/16	1-5/16	4-1/2	1/8	198.1	5V3157	J	A3	1/16	1-5/16	4-1/2	9/16	212.1
37.5	35.25	5V3756	J	B3	1/16	1-5/16	4-1/2	1/8	253.8	5V3757	M	B3	15/32	1-15/16	6-3/4	2-3/32	349.6
50.0	47.38	5V5006	M	C3	31/32	1/2	6-3/4	1-11/32	472.1	5V5007	M	C3	31/32	1/2	6-3/4	21/32	465.0

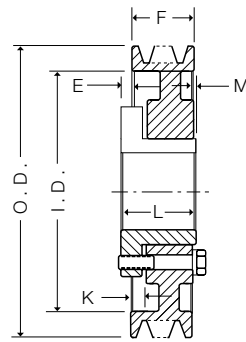
◆P.D. = O.D. † Recommended for use with 5VX Narrow Cog belts only.  
Weights for all Sure-Grip bushed items are approximate and include the bushing.



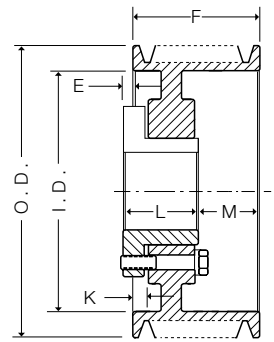
Type A



Type B



Type C



Type D

# Stock Narrow (Ultra-V) Sheaves 5V

## Dimensions

### DIMENSIONS (In Inches)

O.D. ◆	I.D.	Product No.	8 GROOVE							Product No.	9 GROOVE						
			F = 5-13/16								F = 6-1/2						
			Bush.	Type	E	K	L	M	Wt.		Bush.	Type	E	K	L	M	Wt.
7.1	5.31	5V718	SF	A1	1-7/16	2-1/8	2	2-3/8	24.0	-	-	-	-	-	-	-	-
7.5	5.62	5V758	SF	A1	1-7/16	2-1/8	2	2-3/8	27.1	-	-	-	-	-	-	-	-
8.0	6.12	5V808	E	A1	1-19/32	2-1/2	2-5/8	1-19/32	34.6	5V809	E	A1	1-19/32	2-1/2	2-5/8	2-9/32	36.9
8.5	6.62	5V858	E	A1	1-19/32	2-1/2	2-5/8	1-19/32	38.2	5V859	E	A1	1-19/32	2-1/2	2-5/8	2-9/32	40.6
9.0	7.12	5V908	E	A1	1-19/32	2-1/2	2-5/8	1-19/32	41.9	5V909	E	A1	1-19/32	2-1/2	2-5/8	2-9/32	44.5
9.25	7.44	5V9258	F	A1	1-1/2	2-9/16	3-5/8	11/16	51.7	5V9259	F	A1	1-1/2	2-9/16	3-5/8	1-3/8	54.2
9.75	7.94	5V9758	F	A1	1-1/2	2-9/16	3-5/8	11/16	57.0	5V9759	F	A1	1-1/2	2-9/16	3-5/8	1-3/8	59.7
10.3	8.50	5V1038	F	A1	1-1/2	2-9/16	3-5/8	11/16	63.4	5V1039	F	A1	1-1/2	2-9/16	3-5/8	1-3/8	66.3
10.9	9.12	5V1098	F	A1	1-1/2	2-9/16	3-5/8	11/16	70.2	5V1099	F	A1	1-1/2	2-9/16	3-5/8	1-3/8	73.3
11.3	9.38	5V1138	F	A1	1-1/2	2-9/16	3-5/8	11/16	76.9	5V1139	F	A1	1-1/2	2-9/16	3-5/8	1-3/8	80.5
11.8	9.94	5V1188	F	A2	1-1/2	2-9/16	3-5/8	11/16	67.9	5V1189	F	A2	1-1/2	2-9/16	3-5/8	1-3/8	71.4
12.5	10.62	5V1258	F	A2	1-1/2	2-9/16	3-5/8	11/16	72.8	5V1259	F	A2	1-1/2	2-9/16	3-5/8	1-3/8	76.8
13.2	11.31	5V1328	F	A2	1-1/2	2-9/16	3-5/8	11/16	77.9	5V1329	F	A2	1-1/2	2-9/16	3-5/8	1-3/8	83.9
14.0	12.12	5V1408	F	A2	1-1/2	2-9/16	3-5/8	11/16	83.3	5V1409	F	A2	1-1/2	2-9/16	3-5/8	1-3/8	90.2
15.0	13.12	5V1508	F	A3	1-1/2	2-9/16	3-5/8	11/16	81.5	5V1509	J	B2	2-5/16	3-9/16	4-1/2	5/16	109.5
16.0	14.12	5V1608	F	A3	1-1/2	2-9/16	3-5/8	11/16	87.4	5V1609	J	B3	2-5/16	3-9/16	4-1/2	5/16	109.0
18.7	16.75	5V1878	J	A3	5/16	1-9/16	4-1/2	1	124.6	5V1879	J	A3	5/16	1-9/16	4-1/2	1-11/16	128.6
21.2	19.25	5V2128	J	A3	5/16	1-9/16	4-1/2	1	138.9	5V2129	J	A3	5/16	1-9/16	4-1/2	1-11/16	146.0
23.6	21.62	5V2368	J	A3	5/16	1-9/16	4-1/2	1	154.6	5V2369	J	A3	5/16	1-9/16	4-1/2	1-11/16	165.1
28.0	26.00	5V2808	J	A3	5/16	1-9/16	4-1/2	1	191.0	5V2809	M	B3	15/32	1-15/16	6-3/4	23/32	273.7
31.5	29.50	5V3158	M	B3	15/32	1-15/16	6-3/4	1-13/32	295.7	5V3159	M	B3	15/32	1-15/16	6-3/4	23/32	316.0
37.5	35.25	5V3758	M	B3	15/32	1-15/16	6-3/4	1-13/32	366.2	5V3759	M	B3	15/32	1-15/16	6-3/4	23/32	398.5
50.0	47.38	5V5008	M	B3	15/32	1-15/16	6-3/4	1-13/32	540.0	5V5009	M	B3	15/32	1-15/16	6-3/4	23/32	580.1

O.D. ◆	I.D.	Product No.	10 GROOVE						
			F = 7-3/16						
			Bush.	Type	E	K	L	M	Wt.
8.0	6.12	5V8010	E	A1	2-11/32	3-1/4	2-5/8	2-7/32	39.1
8.5	6.62	5V8510	E	A1	2-11/32	3-1/4	2-5/8	2-7/32	43.0
9.0	7.12	5V9010	F	A1	2-1/4	3-5/16	3-5/8	1-5/16	54.9
9.25	7.38	5V92510	F	A1	2-1/4	3-5/16	3-5/8	1-5/16	59.1
9.75	7.94	5V97510	F	A1	2-1/4	3-5/16	3-5/8	1-5/16	62.4
10.3	8.50	5V10310	F	A1	2-1/4	3-5/16	3-5/8	1-5/16	69.2
10.9	9.12	5V10910	F	A1	2-1/4	3-5/16	3-5/8	1-5/16	76.3
11.3	9.38	5V11310	F	A1	2-1/4	3-5/16	3-5/8	1-5/16	84.0
11.8	9.94	5V11810	F	A2	2-1/4	3-5/16	3-5/8	1-5/16	75.0
12.5	10.62	5V12510	J	A2	2-5/16	3-9/16	4-1/2	3/8	92.9
13.2	11.31	5V13210	J	A2	2-5/16	3-9/16	4-1/2	3/8	99.0
14.0	12.12	5V14010	J	A2	2-5/16	3-9/16	4-1/2	3/8	105.4
15.0	13.12	5V15010	J	A2	2-5/16	3-9/16	4-1/2	3/8	99.0
16.0	14.12	5V16010	J	A3	2-5/16	3-9/16	4-1/2	3/8	114.1
18.7	16.75	5V18710	J	A3	5/16	1-9/16	4-1/2	2-3/8	136.4
21.2	19.25	5V21210	J	A3	5/16	1-9/16	4-1/2	2-3/8	159.4
23.6	21.62	5V23610	M	B3	15/32	1-15/16	6-3/4	1/32	245.8
28.0	26.00	5V28010	M	B3	15/32	1-15/16	6-3/4	1/32	293.0
31.5	29.50	5V31510	M	B3	15/32	1-15/16	6-3/4	1/32	329.1
37.5	35.25	5V37510	M	B3	15/32	1-15/16	6-3/4	1/32	421.0
50.0	47.38	5V50010	M	B3	15/32	1-15/16	6-3/4	1/32	637.1

◆ P.D. = O.D.

Weights for all Sure-Grip bushed items are approximate and include the bushing.



# Stock Narrow (Ultra-V) Sheaves 8V

## Dimensions

These sheaves are designed to carry the loads of all belts shown in this catalog and other similarly rated V-Belts. For special higher rated V-Belts, consult TB Wood's Engineering Department for recommendations.

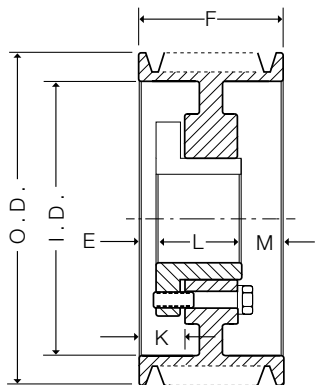
The sheaves listed below are all stock sizes. The dimensions given are with the Sure-Grip bushings in place. When ordering, specify the bushing, if required, and the bore size. The figure following the letter in the "Type" column indicates the sheave construction: 1 - Solid, 2 - Web, 3 - Arms.

### DIMENSIONS (In Inches)

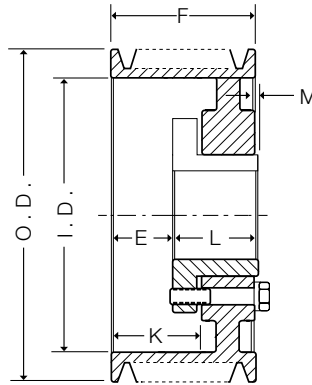
O.D. ◆	I.D.	Product No.	4 GROOVE							Product No.	5 GROOVE						
			F = 4-7/8								F = 6						
			Bush.	Type	E	K	L	M	Wt.		Bush.	Type	E	K	L	M	Wt.
12.5	9.75	8V1254	F	A1	1/8	1-3/16	3-5/8	1-1/8	85.5	8V1255	F	A1	1-1/4	2-5/16	3-5/8	1-1/8	93.3
13.2	10.44	8V1324	F	A2	1/8	1-3/16	3-5/8	1-1/8	78.4	8V1325	F	A2	1-1/4	2-5/16	3-5/8	1-1/8	88.2
14.0	11.25	8V1404	F	A2	1/8	1-3/16	3-5/8	1-1/8	84.5	8V1405	F	A2	1-1/4	2-5/16	3-5/8	1-1/8	95.2
15.0	12.25	8V1504	F	A2	1/8	1-3/16	3-5/8	1-1/8	92.6	8V1505	F	A2	1-1/4	2-5/16	3-5/8	1-1/8	108.0
16.0	13.25	8V1604	F	A2	1/8	1-3/16	3-5/8	1-1/8	98.8	8V1605	F	A2	1-1/4	2-5/16	3-5/8	1-1/8	112.1
17.0	14.25	8V1704	F	A2	1/8	1-3/16	3-5/8	1-1/8	109.4	8V1705	J	A2	3/4	2	4-1/2	3/4	141.0
18.0	15.25	8V1804	F	A2	1/8	1-3/16	3-5/8	1-1/8	118.1	8V1805	J	A2	3/4	2	4-1/2	3/4	157.0
19.0	16.25	8V1904	F	A2	1/8	1-3/16	3-5/8	1-1/8	128.3	8V1905	J	A2	3/4	2	4-1/2	3/4	169.0
20.0	17.25	8V2004	J	A3	3/16	1-7/16	4-1/2	3/16	128.3	8V2005	J	A2	3/4	2	4-1/2	3/4	167.5
21.2	18.44	8V2124	J	A3	3/16	1-7/16	4-1/2	3/16	142.8	8V2125	J	A2	3/4	2	4-1/2	3/4	183.8
22.4	19.62	8V2244	J	A3	3/16	1-7/16	4-1/2	3/16	154.2	8V2245	M	B2	15/32	1-15/16	6-3/4	1-7/32	262.0
24.8	21.90	8V2484	M	C3	21/32	13/16	6-3/4	1-7/32	247.5	8V2485	M	B3	15/32	1-15/16	6-3/4	1-7/32	266.5
30.0	27.12	8V3004	M	C3	21/32	13/16	6-3/4	1-7/32	286.7	8V3005	M	B3	15/32	1-15/16	6-3/4	1-7/32	327.6
35.5	32.50	8V3554	M	C3	21/32	13/16	6-3/4	1-7/32	342.0	8V3555	M	B3	15/32	1-15/16	6-3/4	1-7/32	404.0
40.0	37.00	8V4004	M	C3	21/32	13/16	6-3/4	1-7/32	407.6	8V4005	M	B3	15/32	1-15/16	6-3/4	1-7/32	441.0
44.5	41.60	8V4454	M	C3	21/32	13/16	6-3/4	1-7/32	461.0	8V4455	N	C3	3/4	15/16	8-1/8	1-3/8	580.5
53.0	49.81	8V5304	M	C3	21/32	13/16	6-3/4	1-7/32	557.0	8V5305	N	C3	3/4	15/16	8-1/8	1-3/8	688.0

◆ P.D. = O.D.

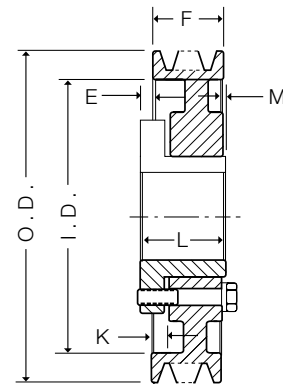
Weights for all Sure-Grip bushed items are approximate and include the bushing.



Type A



Type B



Type C

# Stock Narrow (Ultra-V) Sheaves 8V

## Dimensions

### DIMENSIONS (In Inches)

O.D. ◆	I.D.	Product No.	6 GROOVE								Product No.	8 GROOVE						
			F = 7-1/8									F = 9-3/8						
			Bush.	Type	E	K	L	M	Wt.	Bush.		Type	E	K	L	M	Wt.	
12.5	9.75	8V1256	F	A1	1-1/4	2-5/16	3-5/8	2-1/4	100.9	8V1258	J	A1	2-5/16	3-9/16	4-1/2	2-9/16	129.1	
13.2	10.44	8V1326	F	A2	1-1/4	2-5/16	3-5/8	2-1/4	96.6	8V1328	J	A1	2-5/16	3-9/16	4-1/2	2-9/16	144.5	
14.0	11.25	8V1406	F	A2	1-1/4	2-5/16	3-5/8	2-1/4	104.1	8V1408	J	A2	2-5/16	3-9/16	4-1/2	2-9/16	136.6	
15.0	12.25	8V1506	J	A2	1-5/16	2-9/16	4-1/2	1-5/16	133.0	8V1508	J	A2	2-5/16	3-9/16	4-1/2	2-9/16	146.5	
16.0	13.25	8V1606	J	A2	1-5/16	2-9/16	4-1/2	1-5/16	143.5	8V1608	J	A2	2-5/16	3-9/16	4-1/2	2-9/16	164.5	
17.0	14.25	8V1706	J	A2	1-5/16	2-9/16	4-1/2	1-5/16	153.0	8V1708	M	A2	2-15/32	3-15/16	6-3/4	5/32	244.1	
18.0	15.25	8V1806	J	A2	1-5/16	2-9/16	4-1/2	1-5/16	169.0	8V1808	M	A2	2-15/32	3-15/16	6-3/4	5/32	257.0	
19.0	16.25	8V1906	J	A2	1-5/16	2-9/16	4-1/2	1-5/16	182.0	8V1908	M	A2	2-15/32	3-15/16	6-3/4	5/32	280.0	
20.0	17.25	8V2006	M	B2	1-15/32	2-15/16	6-3/4	1-3/32	242.8	8V2008	M	A2	2-15/32	3-15/16	6-3/4	5/32	292.6	
21.2	18.44	8V2126	M	B2	1-15/32	2-15/16	6-3/4	1-3/32	263.3	8V2128	M	A2	2-15/32	3-15/16	6-3/4	5/32	314.0	
22.4	19.62	8V2246	M	B2	1-15/32	2-15/16	6-3/4	1-3/32	280.9	8V2248	M	A2	2-15/32	3-15/16	6-3/4	5/32	338.0	
24.8	21.90	8V2486	M	B3	15/32	1-15/16	6-3/4	3/32	285.5	8V2488	N	A3	9/16	2-1/4	8-1/8	11/16	377.0	
30.0	27.12	8V3006	M	B3	15/32	1-15/16	6-3/4	3/32	354.4	8V3008	N	A3	9/16	2-1/4	8-1/8	11/16	468.9	
35.5	32.50	8V3556	N	C3	9/16	1-1/8	8-1/8	7/16	537.0	8V3558	N	A3	9/16	2-1/4	8-1/8	11/16	588.0	
40.0	37.00	8V4006	N	C3	9/16	1-1/8	8-1/8	7/16	549.9	8V4008	N	A3	9/16	2-1/4	8-1/8	11/16	663.0	
44.5	41.60	8V4456	N	C3	9/16	1-1/8	8-1/8	7/16	619.5	8V4458	P	B3	3/4	2-5/8	9-3/8	3/4	860.0	
53.0	49.81	8V5306	N	C3	9/16	1-1/8	8-1/8	7/16	768.0	8V5308	P	B3	3/4	2-5/8	9-3/8	3/4	992.0	
63.0	59.69	8V6306	P	B3	1/8	2	9-3/8	2-3/8	1027.0	8V6308	P	B3	3/4	2-5/8	9-3/8	3/4	1262.0	
71.0	67.70	8V7106	P	B3	1/8	2	9-3/8	2-3/8	1200.0	8V7108	W	B3	0	2-1/4	11-3/8	2	1725.0	

O.D. ◆	I.D.	Product No.	10 GROOVE							Product No.	12 GROOVE						
			F = 11-5/8								F = 13-7/8						
			Bush.	Type	E	K	L	M	Wt.		Bush.	Type	E	K	L	M	Wt.
12.5	9.75	8V12510	J	A1	2-5/16	3-9/16	4-1/2	4-13/16	148.9	8V12512	M	A1	2-15/32	3-15/16	6-3/4	4-21/32	198.0
13.2	10.44	8V13210	J	A1	2-5/16	3-9/16	4-1/2	4-13/16	148.6	8V13212	M	A1	2-15/32	3-15/16	6-3/4	4-21/32	225.0
14.0	11.25	8V14010	J	A1	2-5/16	3-9/16	4-1/2	4-13/16	161.0	8V14012	M	A1	2-15/32	3-15/16	6-3/4	4-21/32	245.8
15.0	12.25	8V15010	M	A1	2-15/32	3-15/16	6-3/4	2-13/32	264.0	8V15012	M	A1	2-15/32	3-15/16	6-3/4	4-21/32	285.0
16.0	13.25	8V16010	M	A1	2-15/32	3-15/16	6-3/4	2-13/32	296.7	8V16012	M	A1	2-15/32	3-15/16	6-3/4	4-21/32	324.0
17.0	14.25	8V17010	M	A2	2-15/32	3-15/16	6-3/4	2-13/32	269.1	8V17012	M	A2	2-15/32	3-15/16	6-3/4	4-21/32	324.0
18.0	15.25	8V18010	M	A2	2-15/32	3-15/16	6-3/4	2-13/32	295.0	8V18012	M	A2	2-15/32	3-15/16	6-3/4	4-21/32	338.0
19.0	16.25	8V19010	M	A2	2-15/32	3-15/16	6-3/4	2-13/32	318.0	8V19012	N	A2	9/16	2-1/4	8-1/8	5-3/16	412.0
20.0	17.25	8V20010	M	A2	2-15/32	3-15/16	6-3/4	2-13/32	318.6	8V20012	N	A2	9/16	2-1/4	8-1/8	5-3/16	411.0
21.2	18.44	8V21210	M	A2	2-15/32	3-15/16	6-3/4	2-13/32	340.7	8V21212	N	A2	9/16	2-1/4	8-1/8	5-3/16	421.0
22.4	19.62	8V22410	N	A2	9/16	2-1/4	8-1/8	2-15/16	411.1	8V22412	N	A2	9/16	2-1/4	8-1/8	5-3/16	478.0
24.8	21.90	8V24810	N	A2	9/16	2-1/4	8-1/8	2-15/16	463.0	8V24812	N	A2	9/16	2-1/4	8-1/8	5-3/16	516.5
30.0	27.12	8V30010	N	A3	9/16	2-1/4	8-1/8	2-15/16	557.5	8V30012	P	A3	3/4	2-5/8	9-3/8	3-3/4	672.1
35.5	32.50	8V35510	P	A3	3/4	2-5/8	9-3/8	1-1/2	727.0	8V35512	P	A3	3/4	2-5/8	9-3/8	3-3/4	837.0
40.0	37.00	8V40010	P	A3	3/4	2-5/8	9-3/8	1-1/2	817.9	8V40012	P	A3	3/4	2-5/8	9-3/8	3-3/4	909.5
44.5	41.60	8V44510	P	A3	3/4	2-5/8	9-3/8	1-1/2	927.0	8V44512	P	A3	3/4	2-5/8	9-3/8	3-3/4	1097.0
53.0	49.81	8V53010	P	A3	3/4	2-5/8	9-3/8	1-1/2	1137.0	8V53012	W	A3	5/8	2-7/8	11-3/8	1-7/8	1482.0
63.0	59.69	8V63010	W	B3	3/8	2-5/8	11-3/8	1/8	1652.0	8V63012	W	A3	5/8	2-7/8	11-3/8	1-7/8	1777.0
71.0	67.70	8V71010	W	B3	3/8	2-5/8	11-3/8	1/8	1865.0	8V71012	W	A3	5/8	2-7/8	11-3/8	1-7/8	2180.0

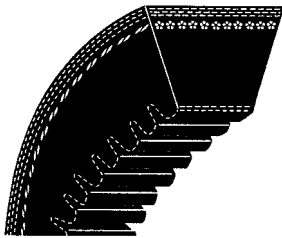
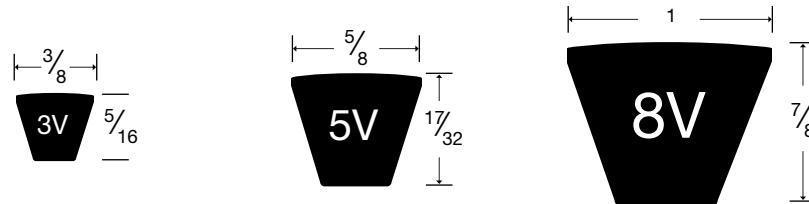
◆ P.D. = O.D.

Weights for all Sure-Grip bushed items are approximate and include the bushing.

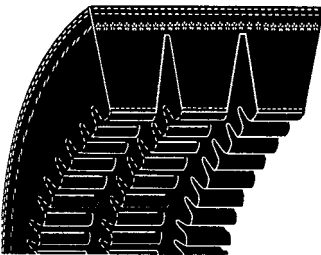
# Narrow (Ultra-V) V-BELT

## Features

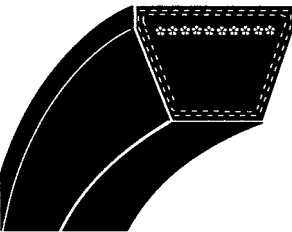
The three cross sections of Wood's Narrow (Ultra-V) belts transmit more horsepower than the five sizes of the Classical (Conventional) V-belt. The narrower geometry of the belt results in cross sections that are up to 50% smaller than the Classical (Conventional) cross sections. This allows the use of smaller diameter sheaves resulting in more compact, lighter weight drives that can operate at higher speeds, reduce bearing loads, and shaft stresses. All Wood's Narrow (Ultra-V) belts are static conducting, and oil and heat resistant.



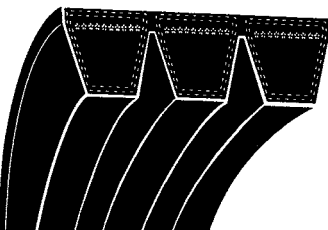
**Narrow (Ultra-V) Cog V-belts** . . . a premium raw edge, cog construction at no extra cost. Up to 30% more horsepower capacity than wrapped belts. The molded cogs offer greater flexibility and better heat dissipation, especially important on drives using smaller diameter sheaves and short center distances. Stock in all 3V lengths, 5V and 8V lengths up to 200 inches.



**Narrow (Ultra-V) Cog Banded V-belts** . . . all the same features of the individual Narrow (Ultra-V) Cog belt, but with the added benefit of multiple belts in a single belt. Should be considered for those problem drives where long center distance, vibration, pulsating or shock loads cause individual belts to whip, turn over, or jump out of sheave grooves. Stock in all 3V and 5V, 2 thru 5 ribs in lengths up to 200 inches.



**Narrow (Ultra-V) V-belts** . . . wrapped construction of 5V and 8V belts over 200 inches long. Handles applications that require longer length belts or larger cross sections where flexibility and compactness are not as critical.



**Narrow (Ultra-V) Banded V-belts** . . . wrapped construction of 5V belts over 200 inches and all 8V section belts. Can be used on those same problem drives as the Narrow (Ultra-V) Cog Banded belts. Stocked in 2 thru 5 ribs (5V section) and 3 thru 5 ribs (8V section).

**Warning: Do not mix raw edge cog and wrapped construction belts on the same drive.**

# Narrow (Ultra-V) And Narrow (Ultra-V) Banded V-Belts

## Dimensions

Wood's Narrow belts listed here are described in detail on page B1 – 13 and are available from stock in all sizes.

Product No.	Belt Length	Wt.
<b>3VX Belts</b>		
3VX250	25.0	.1
3VX265	26.5	.1
3VX280	28.0	.1
3VX300	30.0	.1
3VX315	31.5	.1
3VX335	33.5	.2
3VX355	35.5	.2
3VX375	37.5	.2
3VX400	40.0	.2
3VX425	42.5	.2
3VX450	45.0	.2
3VX475	47.5	.2
3VX500	50.0	.2
3VX530	53.0	.2
3VX560	56.0	.2
3VX600	60.0	.3
3VX630	63.0	.3
3VX650	65.0	.3
3VX670	67.0	.3
3VX710	71.0	.3
3VX750	75.0	.3
3VX800	80.0	.4
3VX850	85.0	.4
3VX900	90.0	.4
3VX950	95.0	.4
3VX1000	100.0	.4
3VX1060	106.0	.5
3VX1120	112.0	.5
3VX1180	118.0	.6
3VX1250	125.0	.6
3VX1320	132.0	.7
3VX1400	140.0	.7
3VX1500	150.0	.7

Product No.	Belt Length	Wt.
<b>5V Belts</b>		
5V2120	212.0	2.5
5V2240	224.0	2.7
5V2360	236.0	2.8
5V2500	250.0	3.0
5V2650	265.0	3.2
5V2800	280.0	3.3
5V3000	300.0	3.6
5V3150	315.0	3.8
5V3350	335.0	4.1
5V3550	355.0	4.3
<b>5VX Belts</b>		
5VX450	45.0	.5
5VX470	47.0	.5
5VX490	49.0	.6
5VX500	50.0	.6
5VX510	51.0	.6
5VX530	53.0	.7
5VX540	54.0	.7
5VX550	55.0	.7
5VX560	56.0	.7
5VX570	57.0	.7
5VX580	58.0	.7
5VX590	59.0	.7
5VX600	60.0	.7
5VX610	61.0	.7
5VX630	63.0	.7
5VX650	65.0	.8
5VX660	66.0	.8
5VX670	67.0	.8
5VX680	68.0	.8
5VX690	69.0	.8

Product No.	Belt Length	Wt.
<b>5VX Belts (cont.)</b>		
5VX710	71.0	.8
5VX730	73.0	.8
5VX740	74.0	.8
5VX750	75.0	.8
5VX780	78.0	.9
5VX800	80.0	.9
5VX810	81.0	.9
5VX830	83.0	.9
5VX840	84.0	.9
5VX850	85.0	.9
5VX860	86.0	1.0
5VX880	88.0	1.0
5VX900	90.0	1.1
5VX930	93.0	1.1
5VX950	95.0	1.1
5VX960	96.0	1.1
5VX1000	100.0	1.2
5VX1030	103.0	1.2
5VX1060	106.0	1.2
5VX1080	108.0	1.2
5VX1120	112.0	1.3
5VX1150	115.0	1.3
5VX1160	116.0	1.4
5VX1180	118.0	1.4
5VX1230	123.0	1.4
5VX1250	125.0	1.5
5VX1320	132.0	1.6
5VX1400	140.0	1.7
5VX1500	150.0	1.8
5VX1600	160.0	1.9
5VX1700	170.0	2.0
5VX1800	180.0	2.1
5VX1900	190.0	2.3
5VX2000	200.0	2.4

Product No.	Belt Length	Wt.
<b>8V and VX Belts</b>		
8VX1000	100.0	3.5
8VX1060	106.0	3.7
8VX1120	112.0	3.9
8VX1180	118.0	4.2
8VX1250	125.0	4.4
8VX1320	132.0	4.6
8VX1400	140.0	4.9
8VX1500	150.0	5.3
8VX1600	160.0	5.6
8VX1700	170.0	6.0
8VX1800	180.0	6.3
8VX1900	190.0	6.7
8VX2000	200.0	7.0
8V2120	212.0	7.5
8V2240	224.0	7.9
8V2360	236.0	8.3
8V2500	250.0	8.8
8V2650	265.0	9.3
8V2800	280.0	9.8
8V3000	300.0	10.5
8V3150	315.0	11.1
8V3350	335.0	11.8
8V3550	355.0	12.5
8V3750	375.0	13.7
8V4000	400.0	14.0
8V4250	425.0	14.9
8V4500	450.0	15.8
8V4750	475.0	16.7
8V5000	500.0	17.6

## 3VX NARROW (Ultra-V) BANDED V-BELTS

Product No.	Belt Length	Wt. Lbs.
2R3VX250	25.0	.2
3R3VX250	25.0	.3
4R3VX250	25.0	.4
5R3VX250	25.0	.5
2R3VX265	26.5	.2
3R3VX265	26.5	.4
4R3VX265	26.5	.5
5R3VX265	26.5	.6
2R3VX280	28.0	.2
3R3VX280	28.0	.4
4R3VX280	28.0	.5
5R3VX280	28.0	.6
2R3VX300	30.0	.3
3R3VX300	30.0	.4
4R3VX300	30.0	.6
5R3VX300	30.0	.8
2R3VX315	31.5	.3
3R3VX315	31.5	.4
4R3VX315	31.5	.6
5R3VX315	31.5	.8
2R3VX335	33.5	.3
3R3VX335	33.5	.4
4R3VX335	33.5	.6
5R3VX335	33.5	.8
2R3VX355	35.5	.3
3R3VX355	35.5	.5
4R3VX355	35.5	.6
5R3VX355	35.5	.8
2R3VX375	37.5	.3
3R3VX375	37.5	.5
4R3VX375	37.5	.6
5R3VX375	37.5	.8

Product No.	Belt Length	Wt. Lbs.
2R3VX400	40.0	.4
3R3VX400	40.0	.5
4R3VX400	40.0	.8
5R3VX400	40.0	.9
2R3VX425	42.5	.4
3R3VX425	42.5	.6
4R3VX425	42.5	.8
5R3VX425	42.5	1.0
2R3VX450	45.0	.4
3R3VX450	45.0	.6
4R3VX450	45.0	.8
5R3VX450	45.0	1.0
2R3VX475	47.5	.4
3R3VX475	47.5	.6
4R3VX475	47.5	.9
5R3VX475	47.5	1.1
2R3VX500	50.0	.4
3R3VX500	50.0	.7
4R3VX500	50.0	.9
5R3VX500	50.0	1.1
2R3VX530	53.0	.5
3R3VX530	53.0	.7
4R3VX530	53.0	1.0
5R3VX530	53.0	1.2
2R3VX560	56.0	.5
3R3VX560	56.0	.8
4R3VX560	56.0	1.0
5R3VX560	56.0	1.3
2R3VX600	60.0	.5
3R3VX600	60.0	.8
4R3VX600	60.0	1.1
5R3VX600	60.0	1.4

Product No.	Belt Length	Wt. Lbs.
2R3VX630	63.0	.6
3R3VX630	63.0	.9
4R3VX630	63.0	1.1
5R3VX630	63.0	1.4
2R3VX670	67.0	.6
3R3VX670	67.0	.9
4R3VX670	67.0	1.2
5R3VX670	67.0	1.5
2R3VX710	71.0	.6
3R3VX710	71.0	1.0
4R3VX710	71.0	1.3
5R3VX710	71.0	1.6
2R3VX750	75.0	.7
3R3VX750	75.0	1.0
4R3VX750	75.0	1.4
5R3VX750	75.0	1.7
2R3VX800	80.0	.7
3R3VX800	80.0	1.1
4R3VX800	80.0	1.4
5R3VX800	80.0	1.8
2R3VX850	85.0	.8
3R3VX850	85.0	1.2
4R3VX850	85.0	1.5
5R3VX850	85.0	1.9
2R3VX900	90.0	.8
3R3VX900	90.0	1.2
4R3VX900	90.0	1.6
5R3VX900	90.0	2.0
2R3VX950	95.0	.9
3R3VX950	95.0	1.3
4R3VX950	95.0	1.7
5R3VX950	95.0	2.2

Product No.	Belt Length	Wt. Lbs.
2R3VX1000	100.0	.9
3R3VX1000	100.0	1.4
4R3VX1000	100.0	1.8
5R3VX1000	100.0	2.3
2R3VX1060	106.0	1.0
3R3VX1060	106.0	1.4
4R3VX1060	106.0	1.9
5R3VX1060	106.0	2.4
2R3VX1120	112.0	1.0
3R3VX1120	112.0	1.5
4R3VX1120	112.0	2.0
5R3VX1120	112.0	2.5
2R3VX1180	118.0	1.1
3R3VX1180	118.0	1.6
4R3VX1180	118.0	2.1
5R3VX1180	118.0	2.7
2R3VX1250	125.0	1.1
3R3VX1250	125.0	1.7
4R3VX1250	125.0	2.3
5R3VX1250	125.0	2.8
2R3VX1320	132.0	1.2
3R3VX1320	132.0	1.8
4R3VX1320	132.0	2.4
5R3VX1320	132.0	3.0
2R3VX1400	140.0	1.3
3R3VX1400	140.0	1.9
4R3VX1400	140.0	2.5
5R3VX1400	140.0	3.2

# Narrow (Ultra-V) Banded V-Belts

## Dimensions

### 5V, 5VX NARROW (Ultra-V) BANDED V-BELTS

Product No.	Belt Length	Wt. Lbs.
2R5VX500	50.0	1.3
3R5VX500	50.0	1.9
4R5VX500	50.0	2.6
5R5VX500	50.0	3.3
2R5VX530	53.0	1.3
3R5VX530	53.0	2.0
4R5VX530	53.0	2.7
5R5VX530	53.0	3.4
2R5VX560	56.0	1.4
3R5VX560	56.0	2.1
4R5VX560	56.0	2.8
5R5VX560	56.0	3.5
2R5VX600	60.0	1.5
3R5VX600	60.0	2.3
4R5VX600	60.0	3.0
5R5VX600	60.0	3.8
2R5VX630	63.0	1.6
3R5VX630	63.0	2.4
4R5VX630	63.0	3.2
5R5VX630	63.0	4.0
2R5VX670	67.0	1.7
3R5VX670	67.0	2.5
4R5VX670	67.0	3.4
5R5VX670	67.0	4.2
2R5VX710	71.0	1.8
3R5VX710	71.0	2.7
4R5VX710	71.0	3.6
5R5VX710	71.0	4.5
2R5VX750	75.0	1.9
3R5VX750	75.0	2.9
4R5VX750	75.0	3.8
5R5VX750	75.0	4.8
2R5VX800	80.0	2.0
3R5VX800	80.0	3.1
4R5VX800	80.0	4.1
5R5VX800	80.0	5.1

Product No.	Belt Length	Wt. Lbs.
2R5VX850	85.0	2.2
3R5VX850	85.0	3.2
4R5VX850	85.0	4.3
5R5VX850	85.0	5.4
2R5VX900	90.0	2.3
3R5VX900	90.0	3.4
4R5VX900	90.0	4.6
5R5VX900	90.0	5.7
2R5VX950	95.0	2.4
3R5VX950	95.0	3.6
4R5VX950	95.0	4.8
5R5VX950	95.0	6.1
2R5VX1000	100.0	2.6
3R5VX1000	100.0	3.8
4R5VX1000	100.0	5.1
5R5VX1000	100.0	6.4
2R5VX1060	106.0	2.7
3R5VX1060	106.0	4.1
4R5VX1060	106.0	5.4
5R5VX1060	106.0	6.8
2R5VX1120	112.0	2.9
3R5VX1120	112.0	4.3
4R5VX1120	112.0	5.7
5R5VX1120	112.0	7.2
2R5VX1180	118.0	3.0
3R5VX1180	118.0	4.5
4R5VX1180	118.0	6.0
5R5VX1180	118.0	7.6
2R5VX1250	125.0	3.2
3R5VX1250	125.0	4.8
4R5VX1250	125.0	6.4
5R5VX1250	125.0	8.0
2R5VX1320	132.0	3.4
3R5VX1320	132.0	5.1
4R5VX1320	132.0	6.8
5R5VX1320	132.0	8.5

Product No.	Belt Length	Wt. Lbs.
2R5VX1400	140.0	3.6
3R5VX1400	140.0	5.4
4R5VX1400	140.0	7.2
5R5VX1400	140.0	9.0
2R5VX1500	150.0	3.9
3R5VX1500	150.0	5.8
4R5VX1500	150.0	7.7
5R5VX1500	150.0	9.6
2R5VX1600	160.0	4.1
3R5VX1600	160.0	6.2
4R5VX1600	160.0	8.2
5R5VX1600	160.0	10.3
2R5VX1700	170.0	4.4
3R5VX1700	170.0	6.6
4R5VX1700	170.0	8.7
5R5VX1700	170.0	10.9
2R5VX1800	180.0	4.6
3R5VX1800	180.0	6.9
4R5VX1800	180.0	9.3
5R5VX1800	180.0	11.6
2R5VX1900	190.0	4.9
3R5VX1900	190.0	7.3
4R5VX1900	190.0	9.8
5R5VX1900	190.0	12.2
2R5VX2000	200.0	5.1
3R5VX2000	200.0	7.7
4R5VX2000	200.0	10.3
5R5VX2000	200.0	12.9
2R5V2120	212.0	5.5
3R5V2120	212.0	8.2
4R5V2120	212.0	10.9
5R5V2120	212.0	13.7
2R5V2240	224.0	5.8
3R5V2240	224.0	8.7
4R5V2240	224.0	11.5
5R5V2240	224.0	14.4

Product No.	Belt Length	Wt. Lbs.
2R5V2360	236.0	6.1
3R5V2360	236.0	9.1
4R5V2360	236.0	12.2
5R5V2360	236.0	15.2
2R5V2500	250.0	6.4
3R5V2500	250.0	9.7
4R5V2500	250.0	12.9
5R5V2500	250.0	16.1
2R5V2650	265.0	6.8
3R5V2650	265.0	10.3
4R5V2650	265.0	13.7
5R5V2650	265.0	17.1
2R5V2800	280.0	7.2
3R5V2800	280.0	10.8
4R5V2800	280.0	14.5
5R5V2800	280.0	18.1
2R5V3000	300.0	7.7
3R5V3000	300.0	11.6
4R5V3000	300.0	15.5
5R5V3000	300.0	19.4
2R5V3150	315.0	8.1
3R5V3150	315.0	12.2
4R5V3150	315.0	16.3
5R5V3150	315.0	20.3
2R5V3350	335.0	8.7
3R5V3350	335.0	13.0
4R5V3350	335.0	17.3
5R5V3350	335.0	21.6
2R5V3550	355.0	9.2
3R5V3550	355.0	13.7
4R5V3550	355.0	18.3
5R5V3550	355.0	22.9

### 8V NARROW (Ultra-V) BANDED V-BELTS

Product No.	Belt Length	Wt. Lbs.
3R8V1000	100.0	9.9
4R8V1000	100.0	13.2
5R8V1000	100.0	16.5
3R8V1060	106.0	10.5
4R8V1060	106.0	14.0
5R8V1060	106.0	17.5
3R8V1120	112.0	11.1
4R8V1120	112.0	14.8
5R8V1120	112.0	18.5
3R8V1180	118.0	11.7
4R8V1180	118.0	15.6
5R8V1180	118.0	19.6
3R8V1250	125.0	12.4
4R8V1250	125.0	16.6
5R8V1250	125.0	20.7
3R8V1320	132.0	13.2
4R8V1320	132.0	17.5
5R8V1320	132.0	21.9
3R8V1400	140.0	14.0
4R8V1400	140.0	18.6
5R8V1400	140.0	23.3
3R8V1500	150.0	15.0
4R8V1500	150.0	20.0
5R8V1500	150.0	25.0

Product No.	Belt Length	Wt. Lbs.
3R8V1600	160.0	16.0
4R8V1600	160.0	21.4
5R8V1600	160.0	26.7
3R8V1700	170.0	17.0
4R8V1700	170.0	22.7
5R8V1700	170.0	28.4
3R8V1800	180.0	18.0
4R8V1800	180.0	24.1
5R8V1800	180.0	30.1
3R8V1900	190.0	19.1
4R8V1900	190.0	25.4
5R8V1900	190.0	31.8
3R8V2000	200.0	20.1
4R8V2000	200.0	26.8
5R8V2000	200.0	33.5
3R8V2120	212.0	21.3
4R8V2120	212.0	28.4
5R8V2120	212.0	35.5
3R8V2240	224.0	22.5
4R8V2240	224.0	30.0
5R8V2240	224.0	37.5
3R8V2360	236.0	23.8
4R8V2360	236.0	31.7
5R8V2360	236.0	39.6

Product No.	Belt Length	Wt. Lbs.
3R8V2500	250.0	25.2
4R8V2500	250.0	33.6
5R8V2500	250.0	42.0
3R8V2650	265.0	26.7
4R8V2650	265.0	35.6
5R8V2650	265.0	44.5
3R8V2800	280.0	28.2
4R8V2800	280.0	37.6
5R8V2800	280.0	47.1
3R8V3000	300.0	30.3
4R8V3000	300.0	40.4
5R8V3000	300.0	50.4
3R8V3150	315.0	31.8
4R8V3150	315.0	42.4
5R8V3150	315.0	53.0
3R8V3350	335.0	33.8
4R8V3350	335.0	45.1
5R8V3350	335.0	56.4
3R8V3550	355.0	35.9
4R8V3550	355.0	47.8
5R8V3550	355.0	59.8
3R8V3750	375.0	37.9
4R8V3750	375.0	50.5
5R8V3750	375.0	63.2

Product No.	Belt Length	Wt. Lbs.
3R8V4000	400.0	40.5
4R8V4000	400.0	53.9
5R8V4000	400.0	67.4
3R8V4250	425.0	43.0
4R8V4250	425.0	57.3
5R8V4250	425.0	71.7
3R8V4500	450.0	45.5
4R8V4500	450.0	60.7
5R8V4500	450.0	75.9
3R8V4750	475.0	48.1
4R8V4750	475.0	64.1
5R8V4750	475.0	80.2
3R8V5000	500.0	50.6
4R8V5000	500.0	67.5
5R8V5000	500.0	84.4
3R8V5600	560.0	56.7
4R8V5600	560.0	75.7
5R8V5600	560.0	94.6
3R8V6000	600.0	60.8
4R8V6000	600.0	81.0
5R8V6000	600.0	101.3

# Drive Selection

## Narrow Belts

### 1. Determine DESIGN HORSEPOWER

DESIGN HORSEPOWER = Driver HP x Service Factor (See below)

### SERVICE FACTORS

DRIVEN MACHINE See Note 1	DRIVER					
	AC Normal Torque Electric Motor (NEMA Design A-B) See Note 2			AC High Torque Electric Motor (NEMA Design C-D) See Note 3		
	Intermittent Service See Note 4	Normal Service See Note 5	Continuous Service See Note 6	Intermittent Service See Note 4	Normal Service See Note 5	Continuous Service See Note 6
Agitators for Liquids . . . . .						
Blowers and Exhausters . . . . .						
Centrifugal Pumps and Compressors . . . . .	1.0	1.1	1.2	1.1	1.2	1.3
Conveyors (Light Duty) . . . . .						
Fans (up to 10 H.P.) . . . . .						
Belt Conveyors for Sand, Grain, etc. . . . .						
Fans (over 10 H.P.) . . . . .						
Generators . . . . .						
Laundry Machinery . . . . .						
Line Shafts . . . . .						
Machine Tools . . . . .	1.1	1.2	1.3	1.2	1.3	1.4
Mixers (Dough) . . . . .						
Positive Displacement Rotary Pumps . . . . .						
Printing Machinery . . . . .						
Punches-Presses-Shears See Note 1 . . . . .						
Revolving and Vibrating Screens . . . . .						
Blowers (Positive Displacement) . . . . .						
Brick Machinery . . . . .						
Compressors (Piston) See Note 1 . . . . .						
Conveyors (Drag-Pan-Screw) . . . . .						
Elevators (Bucket) . . . . .						
Exciters . . . . .	1.2	1.3	1.4	1.4	1.5	1.6
Hammer Mills . . . . .						
Paper Mill Beaters . . . . .						
Pulverizes . . . . .						
Pumps (Piston) . . . . .						
Saw Mill and Woodworking Machinery . . . . .						
Textile Machinery . . . . .						
Crushers (Gyratory-Jaw-Roll) See Note 1 . . . . .						
Mills (Ball-Rod-Tube) See Note 1 . . . . .	1.3	1.4	1.5	1.5	1.6	1.8
Hoists See Note 1 . . . . .						
Rubber Calenders-Extruders-Mills See Note 1 . . . . .						

- Note 1** The Driven Machines listed above are representative samples only. When one of the sheaves of the drive is used as a flywheel to reduce speed fluctuations and equalize the energy exerted at the shaft or for applications involving impact or jam loads specially constructed sheaves may be required. Consult the manufacturer.
- Note 2** Included under this heading are the following electric motors: Synchronous and Squirrel Cage AC Normal Torque, AC Split Phase, DC Shunt Wound and Internal Combustion Engines.
- Note 3** Included under this heading are the following electric motors: AC High Torque, AC Hi-Slip, AC Repulsion, Induction, AC Single Phase Series Wound, AC Slip Ring and DC Compound Wound.
- Note 4** Intermittent Service refers to 3–5 hours of daily or seasonal operation.

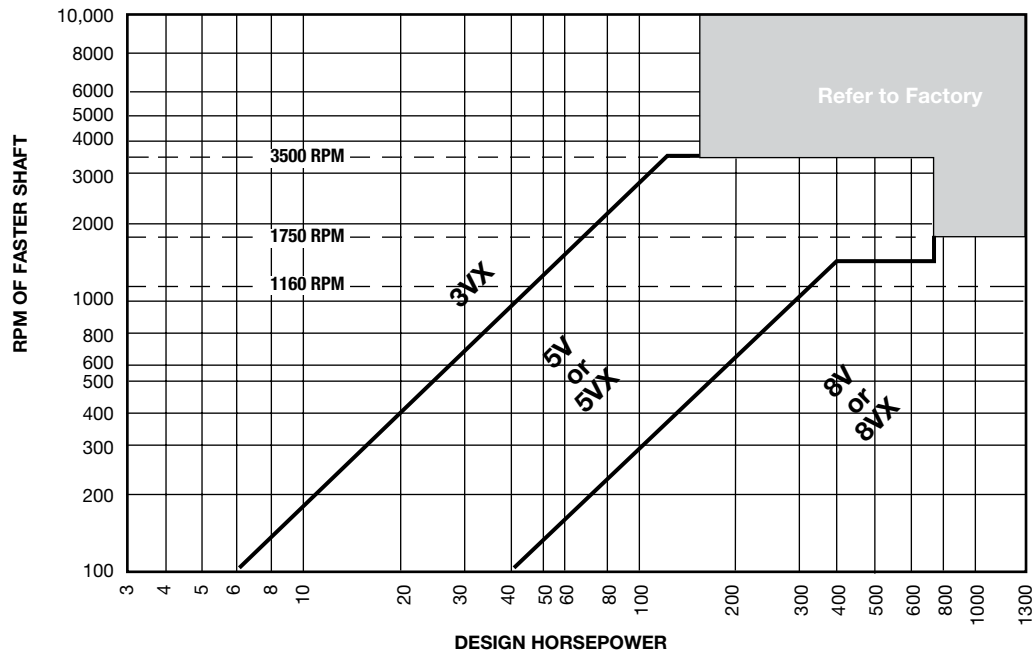
- Note 5** Normal Service indicates 8–10 hours of daily operation.
- Note 6** Continuous Service refers to 16–24 hours of daily operation.
- Note 7** If idlers are used, add the following to the service factor.
 

Idler on slack side (inside)	None
Idler on slack side (outside)	0.1
Idler on tight side (inside)	0.1
Idler on tight side (outside)	0.2



## Narrow Belts

2. Select **BELT CROSS SECTION** using chart below.



3. If using a 60 HZ electric motor, **Note the Minimum Motor Sheave Outside Diameter recommended by NEMA.**

Motor Horsepower	MOTOR RPM			
	870	1160	1750	3500
1/2	2.2	-	-	-
3/4	2.4	2.2	-	-
1	2.4	2.4	2.2	-
1-1/2	2.4	2.4	2.4	2.2
2	3.0	2.4	2.4	2.4
3	3.0	3.0	2.4	2.4
5	3.8	3.0	3.0	2.4
7-1/2	4.4	3.8	3.0	3.0
10	4.4	4.4	3.8	3.0
15	5.2	4.4	4.4	3.8
20	6.0	5.2	4.4	4.4
25	6.8	6.0	4.4	4.4
30	6.8	6.8	5.2	-
40	8.2	6.8	6.0	-
50	8.4	8.2	6.8	-
60	10.0	8.2	7.4	-
75	10.0	10.0	8.6	-
100	12.0	10.0	8.6	-
125	-	12.0	10.5	-
150	-	-	10.5	-
200	-	-	13.2	-
250	-	-	-	-
300	-	-	-	-

# Drive Selection

## Narrow Belts

- BELT LENGTH =  $2 \times C + 1.57 \times (D + d) + [(D - d)^2 / 4 \times C]$
- CENTER DISTANCE =  $1/2 \times [A - h \times (D - d)]$

WHERE:

C = Center Distance (in.)      D = O.D. of larger sheave (in.)  
 L = Belt Length (in.)          d = O.D. of smaller sheave (in.)  
 A =  $L - 1.57 \times (D + d)$       h = Factor from chart below

$\frac{D-d}{A}$	h	$\frac{D-d}{A}$	h	$\frac{D-d}{A}$	h	$\frac{D-d}{A}$	h
0.00	0.00	0.16	0.08	0.30	0.16	0.43	0.24
0.02	0.01	0.18	0.09	0.32	0.17	0.44	0.25
0.04	0.02	0.20	0.10	0.34	0.18	0.46	0.26
0.06	0.03	0.21	0.11	0.35	0.19	0.47	0.27
0.08	0.04	0.23	0.12	0.37	0.20	0.48	0.28
0.10	0.05	0.25	0.13	0.39	0.21	0.50	0.29
0.12	0.06	0.27	0.14	0.40	0.22	0.51	0.30
0.14	0.07	0.29	0.15	0.41	0.23	-	-

### AC FACTORS

$\frac{D-d}{C}$	Factor AC	$\frac{D-d}{C}$	Factor AC
0.000	1.000	0.750	0.879
0.025	0.997	0.775	0.874
0.050	0.994	0.800	0.869
0.075	0.990	0.825	0.864
0.100	0.987	0.850	0.858
0.125	0.983	0.875	0.852
0.150	0.980	0.900	0.847
0.175	0.977	0.925	0.841
0.200	0.973	0.950	0.835
0.225	0.969	0.975	0.829
0.250	0.966	1.000	0.823
0.275	0.962	1.025	0.816
0.300	0.958	1.050	0.810
0.325	0.954	1.075	0.803
0.350	0.951	1.100	0.796
0.375	0.947	1.125	0.789
0.400	0.943	1.150	0.782
0.425	0.939	1.175	0.774
0.450	0.935	1.200	0.767
0.475	0.930	1.225	0.759
0.500	0.926	1.250	0.751
0.525	0.922	1.275	0.742
0.550	0.917	1.300	0.734
0.575	0.913	1.325	0.725
0.600	0.908	1.350	0.716
0.625	0.904	1.375	0.706
0.650	0.899	1.400	0.697
0.675	0.894	1.425	0.687
0.700	0.889	-	-
0.725	0.884	-	-

### LC FACTORS

Belt No.	Correction Factor LC	Belt No.	Correction Factor LC	Belt No.	Correction Factor LC
3VX250	.83	5VX500	.85	8VX1060	.88
3VX265	.84	5VX530	.86	8VX1120	.88
3VX280	.85	5VX560	.87	8VX1180	.89
3VX300	.86	5VX600	.88	8VX1250	.90
3VX315	.87	5VX630	.89	8VX1320	.91
3VX335	.88	5VX670	.90	8VX1400	.92
3VX355	.89	5VX710	.91	8VX1500	.93
3VX375	.90	5VX750	.92	8VX1600	.94
3VX400	.92	5VX800	.93	8VX1700	.94
3VX425	.93	5VX850	.94	8VX1800	.95
3VX450	.94	5VX900	.95	8VX1900	.96
3VX475	.95	5VX950	.95	8VX2000	.97
3VX500	.96	5VX1000	.96	8V2120	.97
3VX530	.97	5VX1060	.97	8V2240	.98
3VX560	.98	5VX1120	.98	8V2360	.99
3VX600	.99	5VX1180	.99	8V2500	1.00
3VX630	1.00	5VX1250	1.00	8V2650	1.01
3VX670	1.01	5VX1320	1.01	8V2800	1.02
3VX710	1.02	5VX1400	1.02	8V3000	1.02
3VX750	1.03	5VX1500	1.03	8V3150	1.03
3VX800	1.04	5VX1600	1.04	8V3350	1.04
3VX850	1.05	5VX1700	1.05	8V3550	1.05
3VX900	1.07	5VX1800	1.06	8V3750	1.06
3VX950	1.08	5VX1900	1.07	8V4000	1.07
3VX1000	1.09	5VX2000	1.08	8V4250	1.08
3VX1060	1.10	5V2120	1.09	8V4500	1.09
3VX1120	1.11	5V2240	1.09	8V4750	1.09
3VX1180	1.12	5V2360	1.10	8V5000	1.10
3VX1250	1.13	5V2500	1.11		
3VX1320	1.14	5V2650	1.12		
3VX1400	1.15	5V2800	1.13		
		5V3000	1.14		
		5V3150	1.15		
		5V3350	1.16		
		5V3550	1.17		

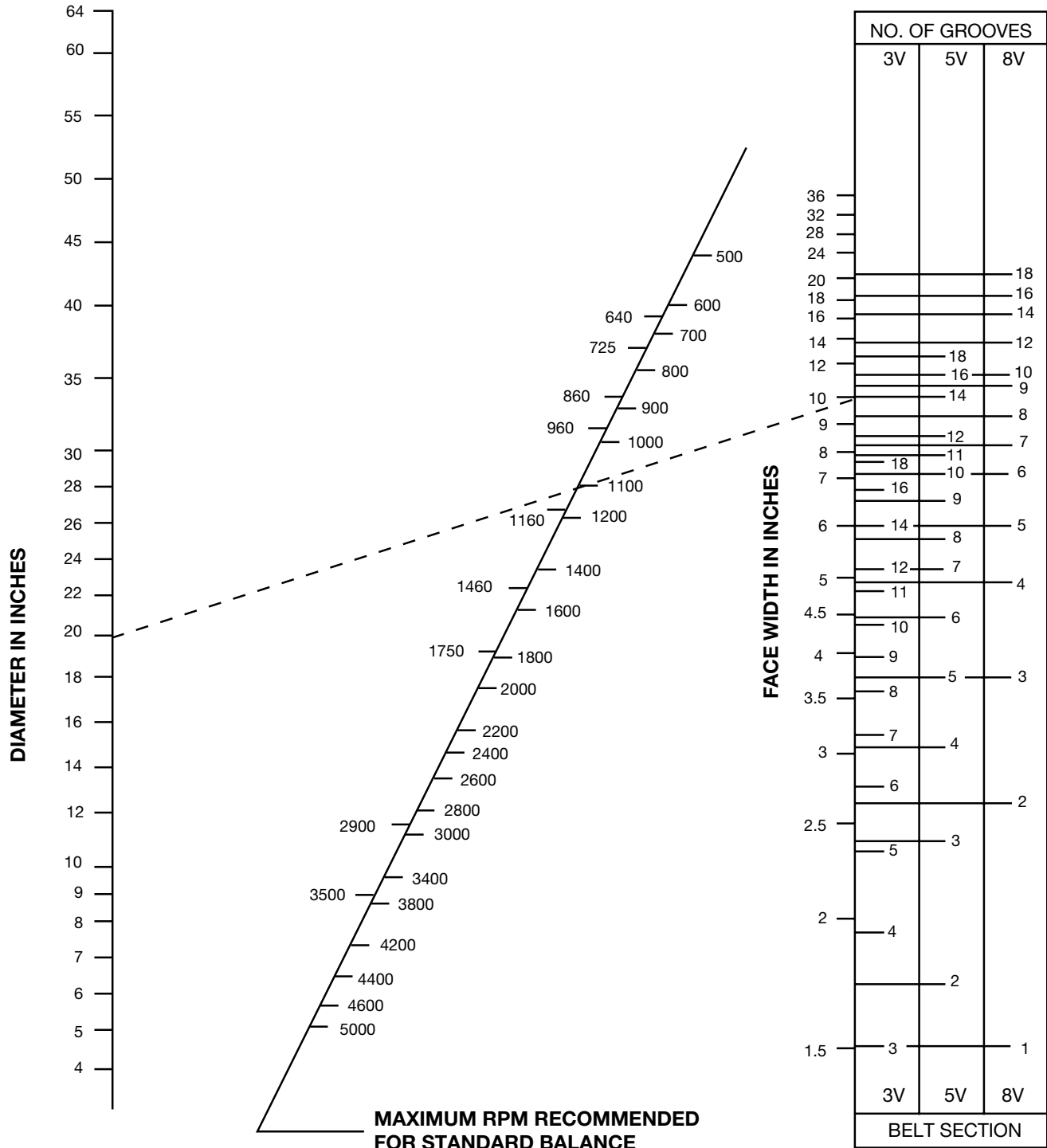
# Balancing Standards

Proper balance of rotating products is important for smooth, vibration-free operation. Standard balance of Wood's stock products is a one plane balance. Depending on the face width, outside diameter, and operating speed a higher precision balance may be required for smooth operation. In those cases a two-plane balance is suggested.

**Note: Two plane balance is for smooth operation only and DOES NOT increase the maximum safe operating speed of the product. Stock cast iron wheels may not exceed 6,550 feet per minute; and ductile iron wheels are limited to 10,000 FPM. (FPM = sheave outside diameter x RPM x .262)**

The nomograph below may be used as a guideline to determine when two-plane balance is recommended. To use this chart lay a straight-edge between the diameter of the part on the left of the chart and the face width of the part on the right. The straight edge will intersect the slanted scale in the center of the chart. When the operating speed is greater than the intersection point a two-plane balance is recommended.

**Example:** If a 20 in. diameter x 10 in. face width sheave runs faster than 1100 rpm, dynamic balancing is recommended.





### Standard Motor Speed - Reduction or 1:1 Ratio Drives

Example: A 15 HP 1750 RPM NEMA B motor driving a piston pump operating at 438 RPM, 18 hours a day.  
Motor shaft is 1-5/8" diameter, Pump shaft is 2-1/4" diameter, center distance between shafts is 25".

Procedure	Example																		
<b>Step #1: Calculate the Design Horsepower</b> DHP = DriveR HP x service factor (page B1-14)	Service Factor = 1.4 DHP = 15 HP x 1.4 SF = 21																		
<b>Step #2: Choose the Belt Cross Section</b> Reference Chart (page B1-15)	21 DHP and 1750 RPM falls in the 3VX section																		
<b>Step #3: Check NEMA recommended Minimum Motor Sheave Outside Diameter</b> (page B1-15)	NEMA minimum O.D. for a 15 HP 1750 RPM motor is 4.4 inches																		
<b>Step #4: Calculate Speed Ratio</b> Speed Ratio = DriveR RPM / DriveN RPM	Speed Ratio = 1750 RPM / 438 RPM = 4.0																		
<b>Step #5: In the Drive Selection Tables corresponding to the correct belt section, locate the drive line with the same ratio. In the event of multiple lines, drives using larger diameters are usually more economical.</b>	Lines 232 and 233 (page B1-30) are a 4.0 ratio. Line 233 should be used because line 232 has a 2.65 diameter driver which is below the NEMA recommended minimum.																		
<b>Step #6: Note the following information from the drive line:</b> <b>DriveR sheave diameter</b> <b>DriveN sheave diameter</b> <b>Actual RPM</b> - Under the corresponding motor RPM <b>HP Rating Per Belt</b> - Under the corresponding motor RPM <b>Select the desired CD</b> - To the right of the RPM and HP <b>Arc-Length Correction Factor</b> - Bold type above/below CD <b>Belt Length</b> - Column header above Selected CD	From line 233 DriveR OD = 4.75 DriveN OD = 19.0 DriveN speed = 438 RPM when DriveR @ 1750 RPM HP Per Belt = 6.04 HP when DriveR @ 1750 RPM CD = 25.3" Arc Length Correction Factor = .94 3VX900																		
<b>Step #7: Calculate corrected HP per Belt</b> CHP = HP per Belt x Arc Length Correction Factor	CHP = 6.04 x .94 = 5.68																		
<b>Step #8: Determine number of belts required</b> NOB = Design HP / CHP	NOB = 21 DHP / 5.68 CHP = 3.7 • use 4 belts																		
<b>Step #9: Check for Dynamic Balance Recommendations</b> Reference Chart (page B1-17)	OK as Standard - 3V4.75 x 4 static balance good to 4700 RPM OK as Standard - 3V19.0 x 4 static balance good to 2600 RPM																		
<b>Step #10: Specify Drive Components</b> Reference Component Dimensional pages for Product Number	<table border="1"> <thead> <tr> <th>Item</th> <th>Product No.</th> <th>Ref. Page</th> </tr> </thead> <tbody> <tr> <td>DR - 3V4.75 x 4 sheave</td> <td>3V4754</td> <td>(B1-4)</td> </tr> <tr> <td>- SDS Bushing for 1-5/8" bore</td> <td>SDS158</td> <td>(A1-4)</td> </tr> <tr> <td>DN - 3V19.0 x 4 sheave</td> <td>3V1904</td> <td>(B1-4)</td> </tr> <tr> <td>- SF Bushing for 2-1/4" bore</td> <td>SF214</td> <td>(A1-4)</td> </tr> <tr> <td>Belts - Qty. of 4 belts</td> <td>3VX900</td> <td>(B1-12)</td> </tr> </tbody> </table>	Item	Product No.	Ref. Page	DR - 3V4.75 x 4 sheave	3V4754	(B1-4)	- SDS Bushing for 1-5/8" bore	SDS158	(A1-4)	DN - 3V19.0 x 4 sheave	3V1904	(B1-4)	- SF Bushing for 2-1/4" bore	SF214	(A1-4)	Belts - Qty. of 4 belts	3VX900	(B1-12)
Item	Product No.	Ref. Page																	
DR - 3V4.75 x 4 sheave	3V4754	(B1-4)																	
- SDS Bushing for 1-5/8" bore	SDS158	(A1-4)																	
DN - 3V19.0 x 4 sheave	3V1904	(B1-4)																	
- SF Bushing for 2-1/4" bore	SF214	(A1-4)																	
Belts - Qty. of 4 belts	3VX900	(B1-12)																	

# Drive Selection

## Narrow Belts

Using Drive Selection Tables and HP Rating Tables

### Speeds Other than Common Motor Speeds and Speed-Up Applications

Example: A 20 HP 1900 RPM internal combustion engine driving a hammer mill operating at 3097 RPM, 8 hours a day. Motor shaft is 1-7/8" diameter, Mill shaft is 1-5/8" diameter, center distance between shafts is 36".

Procedure	Example																		
<b>Step #1: Calculate the Design Horsepower</b> DHP = DriveR HP x service factor (page B1-14)	Service Factor = 1.3 DHP = 20 HP x 1.3 = 26																		
<b>Step #2: Choose the Belt Cross Section</b> Reference chart (page B1-15)	26 DHP and 1900 RPM falls in the 3VX section																		
<b>Step #3: Check NEMA recommended Minimum Motor Sheave Outside Diameter</b> (page B1-15)	Does Not Apply - DriveR not NEMA Motor																		
<b>Step #4: Calculate Speed Ratio</b> Speed Ratio = Faster RPM / Slower RPM	Speed Ratio = 3097 RPM / 1900 RPM = 1.63																		
<b>Step #5: In the Drive Selection Tables corresponding to the correct belt section, locate the drive line with the same ratio. In the event of multiple lines, drives using larger diameters are usually more economical.</b>	Line 121 is a 1.63 ratio. Due to the application being a speed-up drive the DriveR and DriveN sheave are reversed in the table. Actual RPM = 1900 DriveR RPM x 1.63 = 3097 DriveN RPM																		
<b>Step #6: Note the following information from the drive line:</b> <b>DriveR sheave diameter</b> <b>DriveN sheave diameter</b> <b>Select the desired CD</b> - On the right hand page <b>Arc-Length Correction Factor</b> - Bold type above/below CD <b>Belt Length</b> - Column header above Selected CD	From line 121 DriveR OD = 10.6 DriveN OD = 6.5 CD = 36.5" Arc Length Correction Factor = 1.09 3VX1000																		
<b>Step #7: In the HP Rating Tables, following the Drive Selection Tables, locate the HP per Belt under the correct Belt Section.</b> (Use Small Sheave Diameter and RPM)	3VX HP Rating Tables (page B1-62 to 63) 6.5 diameter sheave @ 3097 RPM - HP/Belt = 13.4 NOTE: Interpolate between values to get 13.4																		
<b>Step #8: Calculate corrected HP per Belt</b> Add on for ratio is found to the right of the HP Rating Tables CHP = (HP per Belt + Add on) x Arc Length Correction Factor	Add on for 1.63 ratio = .47 CHP = (13.4 + .49) x 1.09 = 15.1																		
<b>Step #9: Determine number of belts required</b> NOB = Design HP / CHP	NOB = 26 DHP / 15.1 CHP = 1.7 • use 2 belts																		
<b>Step #10: Check for Dynamic Balance Recommendations</b> Reference Chart (page B1-17)	OK as Standard - 3V10.6 x 2 static balance good to 3600 RPM OK as Standard - 3V6.5 x 2 static balance good to 5850 RPM																		
<b>Step 11: Stock cast iron parts are good to 6500 FPM</b> If operating faster MTO ductile iron is required. FPM = diameter (in.) x RPM x .262	FPM = 10.6 x 1900 x .262 = 5277 FPM Stock cast iron parts are OK																		
<b>Step #12: Specify Drive Components</b> Reference Component Dimensional pages for Product Number	<table border="1"> <thead> <tr> <th>Item</th> <th>Product No.</th> <th>Ref. Page</th> </tr> </thead> <tbody> <tr> <td>DR - 3V10.6 x 2 sheave</td> <td>3V1062</td> <td>(B1-4)</td> </tr> <tr> <td>- SK Bushing for 1-7/8" bore</td> <td>SK178</td> <td>(A1-5)</td> </tr> <tr> <td>DN - 3V6.5 x 2 sheave</td> <td>3V652</td> <td>(B1-4)</td> </tr> <tr> <td>- SDS Bushing for 1-5/8" bore</td> <td>SDS158</td> <td>(A1-4)</td> </tr> <tr> <td>Belts - Qty. of 2 belts</td> <td>3VX1000</td> <td>(B1-12)</td> </tr> </tbody> </table>	Item	Product No.	Ref. Page	DR - 3V10.6 x 2 sheave	3V1062	(B1-4)	- SK Bushing for 1-7/8" bore	SK178	(A1-5)	DN - 3V6.5 x 2 sheave	3V652	(B1-4)	- SDS Bushing for 1-5/8" bore	SDS158	(A1-4)	Belts - Qty. of 2 belts	3VX1000	(B1-12)
Item	Product No.	Ref. Page																	
DR - 3V10.6 x 2 sheave	3V1062	(B1-4)																	
- SK Bushing for 1-7/8" bore	SK178	(A1-5)																	
DN - 3V6.5 x 2 sheave	3V652	(B1-4)																	
- SDS Bushing for 1-5/8" bore	SDS158	(A1-4)																	
Belts - Qty. of 2 belts	3VX1000	(B1-12)																	



### Non-Stock Diameters

Example: A 125 HP 1160 RPM motor driving a Piston Air Compressor operating at 800 RPM, 24 hours a day.  
The motor shaft is 3-3/8", the Compressor is supplied with a 5V30.5 x 4 flywheel sheave mounted,  
the center distance is 59".

Procedure	Example															
<b>Step #1: Calculate the Design Horsepower</b> DHP = DriveR HP x service factor (page B1-14)	Service Factor = 1.4 DHP = 125 HP x 1.4 = 175															
<b>Step #2: Choose the Belt Cross Section</b> Reference chart (page B1-15)	175 DHP and 1160 RPM intersect in the 5VX section This agrees with the sheave supplied with the compressor															
<b>Step #3: Check NEMA recommended Minimum Motor Sheave Outside Diameter</b> (page B1-15)	Minimum O.D. for a 125 HP 1160 RPM motor is 12.0 inches															
<b>Step #4: Calculate Speed Ratio</b> Speed Ratio = Faster RPM / Slower RPM	Speed Ratio = 1160 RPM / 800 RPM = 1.45															
<b>Step #5: Use the Ratio and any diameter limits or known sheaves to determine the diameters of DriveR and DriveN. Try to utilize stock parts when possible.</b>	5V30.5 x 4 Known DriveN Sheave 30.5 DriveN Sheave / 1.45 Ratio = 21.03 DriveR Sheave Use Stock 5V21.2 stock sheave															
<b>Step #6: Using the diameter of the sheave the actual ratio and speed can be calculated.</b>	Actual Ratio = 30.5 DriveN / 21.2 DriveR = 1.44 Actual RPM = 1160 RPM DriveR / 1.44 = 806 RPM DriveN															
<b>Step #7: Calculate Belt Length to determine the closest stock belt. Then calculate the actual CD using the stock belt.</b> (Formulas on page B1-16)	$BL = 2 \times 59 + 1.57 \times (30.5 + 21.2) + [(30.5 - 21.2)^2 / (4 \times 59)]$ BL = 199.5 • use a 5VX2000 Belt $A = 200 - 1.57 \times (30.5 + 21.2) = 118.8$ $CD = 1/2 \times [118.8 - .04 \times (30.5 - 21.2)] = 59.2"$															
<b>Step #8: Find the AC and LC correction factors.</b> (page B1-16)	AC factor = .980 LC factor for 5VX2000 belts = 1.08															
<b>Step #9: In the HP Rating Tables, following the Drive Selection Tables, locate the HP per Belt under the correct Belt Section.</b> (Use Small Sheave Diameter and RPM)	5VX rating tables (page B1-64 to 65) 21.2 diameter @ 1160 RPM - HP / Belt = 52.0															
<b>Step #10: Calculate corrected HP per Belt</b> Add on for ratio is found to the right of the HP Rating Tables CHP = (HP per Belt + Add on) x AC x LC	Add on for 1.44 ratio = .79 CHP = (52.0 + .79) x .98 x 1.08 = 55.87															
<b>Step #11: Determine number of belts required</b> NOB = Design HP / CHP	NOB = 175 DHP / 55.87 CHP = 3.13 • use 4 belts															
<b>Step #12: Check for Dynamic Balance Recommendations</b> Reference Chart (page B1-17)	OK as Standard - 5V21.2 x 4 standard balance good to 1800 RPM OK as Standard - 5V30.5 x 4 standard balance good to 1250 RPM															
<b>Step #13: Stock cast iron parts are good to 6500 FPM.</b> If operating faster MTO ductile iron is required. FPM = diameter (in.) x RPM x .262	FPM = 21.2 x 1160 x .262 = 6443 FPM Standard Cast Iron Parts are OK															
<b>Step #14: Specify Drive Components</b> Reference Component Dimensional pages for Product Number	<table border="1"> <thead> <tr> <th>Item</th> <th>Product No.</th> <th>Ref. Page</th> </tr> </thead> <tbody> <tr> <td>DR - 5V21.2 x 4 sheave</td> <td>5V2124</td> <td>(B1-6)</td> </tr> <tr> <td>- E Bushing for 3-3/8" bore</td> <td>E338</td> <td>(A1-5)</td> </tr> <tr> <td>DN - Existing 5V30.5 x 4 sheave</td> <td></td> <td></td> </tr> <tr> <td>Belts - Qty. of 4 belts</td> <td>5VX2000</td> <td>(B1-12)</td> </tr> </tbody> </table>	Item	Product No.	Ref. Page	DR - 5V21.2 x 4 sheave	5V2124	(B1-6)	- E Bushing for 3-3/8" bore	E338	(A1-5)	DN - Existing 5V30.5 x 4 sheave			Belts - Qty. of 4 belts	5VX2000	(B1-12)
Item	Product No.	Ref. Page														
DR - 5V21.2 x 4 sheave	5V2124	(B1-6)														
- E Bushing for 3-3/8" bore	E338	(A1-5)														
DN - Existing 5V30.5 x 4 sheave																
Belts - Qty. of 4 belts	5VX2000	(B1-12)														

# 3VX Belts In 3V Sheaves

## Drive Selection Tables

LINE #	RATIO	STOCK SHEAVES			DRIVEN SPEEDS AND HORSEPOWER RATINGS PER BELT					
		Datum Diameter		Number Grooves	1160 RPM		1750 RPM		3500 RPM	
		DR	DN		Driven Speed	H.P. Ratings	Driven Speed	H.P. Ratings	Driven Speed	H.P. Ratings
1	1.00	2.20	2.20	1-2	1160	1.04	1750	1.46	3500	2.49
2	1.00	2.35	2.35	1-2	1160	1.22	1750	1.72	3500	2.98
3	1.00	2.50	2.50	1-3	1160	1.40	1750	1.98	3500	3.46
4	1.00	2.65	2.65	1-4	1160	1.58	1750	2.24	3500	3.94
5	1.00	2.80	2.80	1-4	1160	1.75	1750	2.49	3500	4.41
6	1.00	3.00	3.00	1-4	1160	1.99	1750	2.84	3500	5.03
7	1.00	3.15	3.15	1-4	1160	2.16	1750	3.09	3500	5.50
8	1.00	3.35	3.35	1-4	1160	2.39	1750	3.43	3500	6.11
9	1.00	3.65	3.65	1-4	1160	2.74	1750	3.93	3500	7.01
10	1.00	4.12	4.12	1-4	1160	3.28	1750	4.71	3500	8.38
11	1.00	4.50	4.50	1-4	1160	3.71	1750	5.33	3500	9.46
12	1.00	4.75	4.75	1-6,8,10	1160	3.99	1750	5.73	3500	10.14
13	1.00	5.00	5.00	1-6,8,10	1160	4.27	1750	6.14	3500	10.82
14	1.00	5.30	5.30	1-6,8,10	1160	4.60	1750	6.61	3500	11.61
15	1.00	5.60	5.60	1-6,8,10	1160	4.94	1750	7.09	3500	12.37
16	1.00	6.00	6.00	1-6,8,10	1160	5.38	1750	7.71	3500	13.36
17	1.00	6.50	6.50	1-6,8,10	1160	5.92	1750	8.48	3500	14.52
18	1.00	6.90	6.90	1-6,8,10	1160	6.35	1750	9.09	3500	15.41
19	1.00	8.00	8.00	1-6,8,10	1160	7.52	1750	10.7	-	-
20	1.00	10.60	10.60	1-6,8,10	1160	10.18	1750	14.28	-	-
21	1.05	3.00	3.15	1-4	1105	2.03	1667	2.89	3333	5.15
22	1.05	4.75	5.00	1-6,8,10	1102	4.03	1663	5.80	3325	10.27
23	1.06	4.50	4.75	1-4	1099	3.75	1658	5.39	3316	9.59
24	1.06	2.65	2.80	1-4	1098	1.62	1656	2.30	3313	4.07
25	1.06	5.30	5.60	1-6,8,10	1098	4.65	1656	6.68	3313	11.74
26	1.06	2.50	2.65	1-3	1094	1.44	1651	2.05	3302	3.60
27	1.06	5.00	5.30	1-6,8,10	1094	4.32	1651	6.20	3302	10.96
28	1.06	6.50	6.90	1-6,8,10	1093	5.97	1649	8.55	3297	14.67
29	1.06	3.15	3.35	1-4	1091	2.21	1646	3.16	3291	5.64
30	1.06	2.35	2.50	1-2	1090	1.27	1645	1.79	3290	3.12
31	1.07	2.20	2.35	1-2	1086	1.09	1638	1.53	3277	2.64
32	1.07	2.80	3.00	1-4	1083	1.81	1633	2.57	3267	4.57
33	1.07	5.60	6.00	1-6,8,10	1083	4.99	1633	7.17	3267	12.53
34	1.08	6.00	6.50	1-6,8,10	1071	5.44	1615	7.80	3231	13.54
35	1.09	3.35	3.65	1-4	1065	2.46	1606	3.52	3212	6.30
36	1.09	4.12	4.50	1-4	1062	3.34	1602	4.81	3204	8.58
37	1.11	4.50	5.00	1-4	1044	3.78	1575	5.44	3150	9.68
38	1.12	4.75	5.30	1-6,8,10	1040	4.07	1568	5.85	3137	10.38
39	1.12	3.00	3.35	1-4	1039	2.07	1567	2.95	3134	5.27
40	1.12	2.50	2.80	1-3	1036	1.48	1563	2.10	3125	3.70
41	1.12	5.00	5.60	1-6,8,10	1036	4.35	1563	6.26	3125	11.06
42	1.13	2.80	3.15	1-4	1031	1.84	1556	2.62	3111	4.66
43	1.13	2.35	2.65	1-2	1029	1.30	1552	1.84	3104	3.23
44	1.13	3.65	4.12	1-4	1028	2.82	1550	4.06	3101	7.26
45	1.13	2.65	3.00	1-4	1025	1.66	1546	2.37	3092	4.20
46	1.13	5.30	6.00	1-6,8,10	1025	4.69	1546	6.74	3092	11.87
47	1.14	2.20	2.50	1-2	1021	1.13	1540	1.59	3080	2.75
48	1.15	6.00	6.90	1-6,8,10	1009	5.47	1522	7.85	3043	13.64
49	1.15	4.12	4.75	1-4	1006	3.37	1518	4.85	3036	8.67
50	1.16	3.15	3.65	1-4	1001	2.26	1510	3.24	3021	5.79

# 3VX Belts In 3V Sheaves

## Drive Selection Tables

CENTER DISTANCE AND COMBINED ARC-LENGTH CORRECTION FACTOR ▲																
3VX 250	3VX 280	3VX 315	3VX 355	3VX 400	3VX 450	3VX 500	3VX 560	3VX 600	3VX 710	3VX 750	3VX 800	3VX 900	3VX 1000	3VX 1120	3VX 1250	LINE #
9.0	10.5	12.3	14.3	16.5	19.0	21.5	24.5	26.5	32.0	34.0	36.5	41.5	46.5	52.5	59.0	1
8.8	10.3	12.1	14.1	16.3	18.8	21.3	24.3	26.3	31.8	33.8	36.3	41.3	46.3	52.3	58.8	2
8.6	10.1	11.8	13.8	16.1	18.6	21.1	24.1	26.1	31.6	33.6	36.1	41.1	46.1	52.1	58.6	3
8.3	9.8	11.6	13.6	15.8	18.3	20.8	23.8	25.8	31.3	33.3	35.8	40.8	45.8	51.8	58.3	4
8.1	9.6	11.4	13.4	15.6	18.1	20.6	23.6	25.6	31.1	33.1	35.6	40.6	45.6	51.6	58.1	5
■ 0.8	0.83	0.85	0.88	0.9	0.93	0.95	0.98	0.99	1.03	1.04	1.05	1.08	1.1	1.12	1.15	
7.8	9.3	11	13	15.3	17.8	20.3	23.3	25.3	30.8	32.8	35.3	40.3	45.3	51.3	57.8	6
7.6	9.1	10.8	12.8	15.1	17.6	20.1	23.1	25.1	30.6	32.6	35.1	40.1	45.1	51.1	57.6	7
7.2	8.7	10.5	12.5	14.7	17.2	19.7	22.7	24.7	30.2	32.2	34.7	39.7	44.7	50.7	57.2	8
6.8	8.3	10.0	12.0	14.3	16.8	19.3	22.3	24.3	29.8	31.8	34.3	39.3	44.3	50.3	56.8	9
6.0	7.5	9.3	11.3	13.5	16.0	18.5	21.5	23.5	29.0	31.0	33.5	38.5	43.5	49.5	56.0	10
■ 0.8	0.83	0.85	0.88	0.9	0.93	0.95	0.98	0.99	1.03	1.04	1.05	1.08	1.1	1.12	1.15	
-	6.9	8.7	10.7	12.9	15.4	17.9	20.9	22.9	28.4	30.4	32.9	37.9	42.9	48.9	55.4	11
-	6.5	8.3	10.3	12.5	15.0	17.5	20.5	22.5	28.0	30.0	32.5	37.5	42.5	48.5	55.0	12
-	-	7.9	9.9	12.1	14.6	17.1	20.1	22.1	27.6	29.6	32.1	37.1	42.1	48.1	54.6	13
-	-	7.4	9.4	11.7	14.2	16.7	19.7	21.7	27.2	29.2	31.7	36.7	41.7	47.7	54.2	14
-	-	-	9.0	11.2	13.7	16.2	19.2	21.2	26.7	28.7	31.2	36.2	41.2	47.2	53.7	15
■ 0	0.83	0.85	0.88	0.9	0.93	0.95	0.98	0.99	1.03	1.04	1.05	1.08	1.1	1.12	1.15	
-	-	-	8.3	10.6	13.1	15.6	18.6	20.6	26.1	28.1	30.6	35.6	40.6	46.6	53.1	16
-	-	-	-	9.8	12.3	14.8	17.8	19.8	25.3	27.3	29.8	34.8	39.8	45.8	52.3	17
-	-	-	-	9.2	11.7	14.2	17.2	19.2	24.7	26.7	29.2	34.2	39.2	45.2	51.7	18
-	-	-	-	9.9	12.4	15.4	17.4	19.4	22.9	24.9	27.4	32.4	37.4	43.4	49.9	19
-	-	-	-	-	-	-	-	13.3	18.8	20.8	23.3	28.3	33.3	39.3	45.8	20
■ 0	0	0	0.88	0.9	0.93	0.95	0.98	0.99	1.03	1.04	1.05	1.08	1.1	1.12	1.15	
7.7	9.2	10.9	12.9	15.2	17.7	20.2	23.2	25.2	30.7	32.7	35.2	40.2	45.2	51.2	57.7	21
-	-	8.1	10.1	12.3	14.8	17.3	20.3	22.3	27.8	29.8	32.3	37.3	42.3	48.3	54.8	22
-	6.7	8.5	10.5	12.7	15.2	17.7	20.7	22.7	28.2	30.2	32.7	37.7	42.7	48.7	55.2	23
8.2	9.7	11.5	13.5	15.7	18.2	20.7	23.7	25.7	31.2	33.2	35.7	40.7	45.7	51.7	58.2	24
-	-	-	9.2	11.4	13.9	16.4	19.4	21.4	26.9	28.9	31.4	36.4	41.4	47.4	53.9	25
■ 0.8	0.83	0.85	0.88	0.9	0.93	0.95	0.97	0.99	1.02	1.04	1.05	1.07	1.1	1.12	1.14	
8.5	10.0	11.7	13.7	16.0	18.5	21.0	24.0	26.0	31.5	33.5	36.0	41.0	46.0	52.0	58.5	26
-	-	7.7	9.7	11.9	14.4	16.9	19.9	21.9	27.4	29.4	31.9	36.9	41.9	47.9	54.4	27
-	-	-	-	9.5	12.0	14.5	17.5	19.5	25.0	27.0	29.5	34.5	39.5	45.5	52.0	28
7.4	8.9	10.6	12.6	14.9	17.4	19.9	22.9	24.9	30.4	32.4	34.9	39.9	44.9	50.9	57.4	29
8.7	10.2	11.9	13.9	16.2	18.7	21.2	24.2	26.2	31.7	33.7	36.2	41.2	46.2	52.2	58.7	30
■ 0.8	0.83	0.85	0.88	0.9	0.93	0.95	0.97	0.99	1.02	1.04	1.05	1.07	1.1	1.12	1.14	
8.9	10.4	12.2	14.2	16.4	18.9	21.4	24.4	26.4	31.9	33.9	36.4	41.4	46.4	52.4	58.9	31
7.9	9.4	11.2	13.2	15.4	17.9	20.4	23.4	25.4	30.9	32.9	35.4	40.4	45.4	51.4	57.9	32
-	-	-	8.6	10.9	13.4	15.9	18.9	20.9	26.4	28.4	30.9	35.9	40.9	46.9	53.4	33
-	-	-	-	10.2	12.7	15.2	18.2	20.2	25.7	27.7	30.2	35.2	40.2	46.2	52.7	34
7.0	8.5	10.3	12.3	14.5	17.0	19.5	22.5	24.5	30.0	32.0	34.5	39.5	44.5	50.5	57.0	35
■ 0.8	0.83	0.85	0.88	0.9	0.93	0.95	0.97	0.99	1.02	1.04	1.05	1.07	1.1	1.12	1.14	
-	7.2	9.0	11.0	13.2	15.7	18.2	21.2	23.2	28.7	30.7	33.2	38.2	43.2	49.2	55.7	36
-	6.5	8.3	10.3	12.5	15.0	17.5	20.5	22.5	28.0	30.0	32.5	37.5	42.5	48.5	55.0	37
-	-	7.9	9.9	12.1	14.6	17.1	20.1	22.1	27.6	29.6	32.1	37.1	42.1	48.1	54.6	38
7.5	9.0	10.8	12.8	15.0	17.5	20.0	23.0	25.0	30.5	32.5	35.0	40.0	45.0	51.0	57.5	39
8.3	9.8	11.6	13.6	15.8	18.3	20.8	23.8	25.8	31.3	33.3	35.8	40.8	45.8	51.8	58.3	40
■ 0.8	0.82	0.85	0.87	0.9	0.93	0.95	0.97	0.99	1.02	1.04	1.05	1.07	1.1	1.12	1.14	
-	-	7.4	9.4	11.7	14.2	16.7	19.7	21.7	27.2	29.2	31.7	36.7	41.7	47.7	54.2	41
7.8	9.3	11.1	13.1	15.3	17.8	20.3	23.3	25.3	30.8	32.8	35.3	40.3	45.3	51.3	57.8	42
8.6	10.1	11.8	13.8	16.1	18.6	21.1	24.1	26.1	31.6	33.6	36.1	41.1	46.1	52.1	58.6	43
6.4	7.9	9.6	11.6	13.9	16.4	18.9	21.9	23.9	29.4	31.4	33.9	38.9	43.9	49.9	56.4	44
8.1	9.6	11.3	13.3	15.6	18.1	20.6	23.6	25.6	31.1	33.1	35.6	40.6	45.6	51.6	58.1	45
■ 0.8	0.82	0.85	0.87	0.9	0.93	0.95	0.97	0.99	1.02	1.04	1.05	1.07	1.1	1.12	1.14	
-	-	-	8.9	11.1	13.6	16.1	19.1	21.1	26.6	28.6	31.1	36.1	41.1	47.1	53.6	46
8.8	10.3	12.1	14.1	16.3	18.8	21.3	24.3	26.3	31.8	33.8	36.3	41.3	46.3	52.3	58.8	47
-	-	-	9.9	12.4	14.9	17.9	19.9	21.9	27.4	29.4	31.9	36.9	41.9	47.9	54.4	48
-	7.0	8.8	10.8	13.0	15.5	18.0	21.0	23.0	28.5	30.5	33.0	38.0	43.0	49.0	55.5	49
7.2	8.7	10.4	12.4	14.7	17.2	19.7	22.7	24.7	30.2	32.2	34.7	39.7	44.7	50.7	57.2	50
■ 0.8	0.82	0.85	0.87	0.9	0.92	0.95	0.97	0.99	1.02	1.03	1.05	1.07	1.1	1.12	1.14	

▲ Not all available belt lengths are shown.

■ Combined Arc-Length correction factors for 5 preceding lines.

# 3VX Belts In 3V Sheaves

## Drive Selection Tables

LINE #	RATIO	STOCK SHEAVES			DRIVEN SPEEDS AND HORSEPOWER RATINGS PER BELT					
		Datum Diameter		Number Grooves	1160 RPM		1750 RPM		3500 RPM	
		DR	DN		Driven Speed	H.P. Rating	Driven Speed	H.P. Ratings	Driven Speed	H.P. Ratings
51	1.16	6.90	8.00	1-6,8,10	1001	6.45	1509	9.23	3019	15.70
52	1.16	5.60	6.50	1-6,8,10	999	5.03	1508	7.23	3015	12.67
53	1.18	4.50	5.30	1-4	985	3.81	1486	5.49	2972	9.77
54	1.18	4.75	5.60	1-6,8,10	984	4.10	1484	5.89	2969	10.46
55	1.19	2.65	3.15	1-4	976	1.68	1472	2.40	2944	4.26
56	1.19	2.35	2.80	1-2	974	1.33	1469	1.88	2938	3.31
57	1.20	2.80	3.35	1-4	970	1.86	1463	2.66	2925	4.75
58	1.20	2.50	3.00	1-3	967	1.51	1458	2.15	2917	3.80
59	1.20	5.00	6.00	1-6,8,10	967	4.38	1458	6.31	2917	11.16
60	1.20	2.20	2.65	1-2	963	1.15	1453	1.63	2906	2.83
61	1.21	4.12	5.00	1-4	956	3.40	1442	4.88	2884	8.73
62	1.22	3.00	3.65	1-4	953	2.10	1438	3.01	2877	5.39
63	1.23	5.30	6.50	1-6,8,10	946	4.72	1427	6.80	2854	11.97
64	1.23	3.35	4.12	1-4	943	2.52	1423	3.61	2846	6.48
65	1.23	6.50	8.00	1-6,8,10	942	6.04	1422	8.66	2844	14.89
66	1.23	5.60	6.90	1-6,8,10	941	5.06	1420	7.27	2841	12.74
67	1.23	3.65	4.50	1-4	941	2.86	1419	4.12	2839	7.38
68	1.24	4.50	5.60	1-4	932	3.83	1406	5.52	2813	9.83
69	1.26	2.50	3.15	1-3	921	1.53	1389	2.17	2778	3.85
70	1.26	4.75	6.00	1-6,8,10	918	4.12	1385	5.93	2771	10.54
71	1.26	2.65	3.35	1-4	918	1.71	1384	2.43	2769	4.33
72	1.27	2.20	2.80	1-2	911	1.17	1375	1.66	2750	2.89
73	1.28	2.35	3.00	1-2	909	1.35	1371	1.92	2742	3.38
74	1.29	4.12	5.30	1-4	902	3.41	1360	4.91	2721	8.79
75	1.30	5.00	6.50	1-6,8,10	892	4.41	1346	6.35	2692	11.24
76	1.30	3.65	4.75	1-4	891	2.88	1345	4.14	2689	7.43
77	1.30	5.30	6.90	1-6,8,10	891	4.74	1344	6.82	2688	12.03
78	1.30	2.80	3.65	1-4	890	1.89	1342	2.71	2685	4.83
79	1.31	3.15	4.12	1-4	887	2.30	1338	3.30	2676	5.92
80	1.32	10.60	14.00	1-6,8,10	878	10.32	1325	14.50	-	-
81	1.33	8.00	10.60	1-6,8,10	875	7.66	1321	10.93	-	-
82	1.33	4.50	6.00	1-4	870	3.85	1313	5.55	2625	9.89
83	1.33	6.00	8.00	1-6,8,10	870	5.52	1313	7.93	2625	13.80
84	1.34	2.50	3.35	1-3	866	1.55	1306	2.20	2612	3.90
85	1.34	2.35	3.15	1-2	865	1.37	1306	1.94	2611	3.42
86	1.34	3.35	4.50	1-4	864	2.54	1303	3.65	2606	6.55
87	1.36	4.12	5.60	1-4	853	3.43	1287	4.93	2575	8.83
88	1.36	2.20	3.00	1-2	851	1.19	1283	1.68	2567	2.94
89	1.37	4.75	6.50	1-6,8,10	848	4.14	1279	5.96	2558	10.60
90	1.37	3.65	5.00	1-4	847	2.89	1278	4.16	2555	7.47
91	1.37	3.00	4.12	1-4	845	2.14	1274	3.07	2549	5.49
92	1.38	2.65	3.65	1-4	842	1.73	1271	2.47	2541	4.40
93	1.38	5.00	6.90	1-6,8,10	841	4.42	1268	6.37	2536	11.28
94	1.42	3.35	4.75	1-4	818	2.55	1234	3.67	2468	6.59
95	1.43	2.35	3.35	1-2	814	1.38	1228	1.96	2455	3.46
96	1.43	3.15	4.50	1-4	812	2.32	1225	3.33	2450	5.98
97	1.43	5.60	8.00	1-6,8,10	812	5.10	1225	7.33	2450	12.85
98	1.43	2.20	3.15	1-2	810	1.20	1222	1.70	2444	2.97
99	1.44	4.50	6.50	1-4	803	3.87	1212	5.57	2423	9.94
100	1.45	3.65	5.30	1-4	799	2.90	1205	4.18	2410	7.50

# 3VX Belts In 3V Sheaves

## Drive Selection Tables

CENTER DISTANCE AND COMBINED ARC-LENGTH CORRECTION FACTOR ▲																
3VX 250	3VX 280	3VX 315	3VX 355	3VX 400	3VX 450	3VX 500	3VX 560	3VX 600	3VX 710	3VX 750	3VX 800	3VX 900	3VX 1000	3VX 1120	3VX 1250	LINE #
-	-	-	-	-	10.8	13.3	16.3	18.3	23.8	25.8	28.3	33.3	38.3	44.3	50.8	51
-	-	-	8.2	10.5	13.0	15.5	18.5	20.5	26.0	28.0	30.5	35.5	40.5	46.5	53.0	52
-	-	8.0	10.0	12.3	14.8	17.3	20.3	22.3	27.8	29.8	32.3	37.3	42.3	48.3	54.8	53
-	-	7.6	9.6	11.9	14.4	16.9	19.9	21.9	27.4	29.4	31.9	36.9	41.9	47.9	54.4	54
7.9	9.4	11.2	13.2	15.4	17.9	20.4	23.4	25.4	30.9	32.9	35.4	40.4	45.4	51.4	57.9	55
■ 0.8	0.82	0.84	0.87	0.9	0.92	0.94	0.97	0.98	1.02	1.03	1.05	1.07	1.1	1.12	1.14	
8.5	10	11.7	13.7	16.0	18.5	21.0	24.0	26.0	31.5	33.5	36.0	41.0	46.0	52.0	58.5	56
7.7	9.2	10.9	12.9	15.2	17.7	20.2	23.2	25.2	30.7	32.7	35.2	40.2	45.2	51.2	57.7	57
8.2	9.7	11.4	13.4	15.7	18.2	20.7	23.7	25.7	31.2	33.2	35.7	40.7	45.7	51.7	58.2	58
-	-	-	9.1	11.3	13.9	16.4	19.4	21.4	26.9	28.9	31.4	36.4	41.4	47.4	53.9	59
8.7	10.2	11.9	13.9	16.2	18.7	21.2	24.2	26.2	31.7	33.7	36.2	41.2	46.2	52.2	58.7	60
■ 0.8	0.82	0.85	0.87	0.9	0.92	0.95	0.97	0.99	1.02	1.03	1.05	1.07	1.1	1.12	1.14	
-	6.8	8.6	10.6	12.8	15.3	17.8	20.8	22.8	28.3	30.3	32.8	37.8	42.8	48.8	55.3	61
7.3	8.8	10.5	12.5	14.8	17.3	19.8	22.8	24.8	30.3	32.3	34.8	39.8	44.8	50.8	57.3	62
-	-	-	8.5	10.7	13.2	15.7	18.7	20.7	26.2	28.2	30.7	35.7	40.7	46.7	53.2	63
6.6	8.1	9.9	11.9	14.1	16.6	19.1	22.1	24.1	29.6	31.6	34.1	39.1	44.1	50.1	56.6	64
-	-	-	-	11.1	13.6	16.6	18.6	24.1	26.1	28.6	33.6	38.6	44.6	51.1	57.6	65
■ 0.79	0.82	0.84	0.87	0.9	0.92	0.94	0.97	0.98	1.02	1.03	1.05	1.07	1.09	1.12	1.14	
-	-	-	-	10.2	12.7	15.2	18.2	20.2	25.7	27.7	30.2	35.2	40.2	46.2	52.7	66
6.1	7.6	9.3	11.3	13.6	16.1	18.6	21.6	23.6	29.1	31.1	33.6	38.6	43.6	49.6	56.1	67
-	-	7.8	9.8	12.1	14.6	17.1	20.1	22.1	27.6	29.6	32.1	37.1	42.1	48.1	54.6	68
8.1	9.6	11.3	13.3	15.6	18.1	20.6	23.6	25.6	31.1	33.1	35.6	40.6	45.6	51.6	58.1	69
-	-	7.3	9.3	11.5	14.0	16.5	19.5	21.5	27.0	29.0	31.6	36.6	41.6	47.6	54.1	70
■ 0.79	0.82	0.84	0.87	0.89	0.92	0.94	0.97	0.98	1.02	1.03	1.05	1.07	1.09	1.12	1.14	
7.8	9.3	11.0	13.0	15.3	17.8	20.3	23.3	25.3	30.8	32.8	35.3	40.3	45.3	51.3	57.8	71
8.6	10.1	11.8	13.8	16.1	18.6	21.1	24.1	26.1	31.6	33.6	36.1	41.1	46.1	52.1	58.6	72
8.3	9.8	11.5	13.5	15.8	18.3	20.8	23.8	25.8	31.3	33.3	35.8	40.8	45.8	51.8	58.3	73
-	6.6	8.3	10.3	12.6	15.1	17.6	20.6	22.6	28.1	30.1	32.6	37.6	42.6	48.6	55.1	74
-	-	-	8.7	10.9	13.4	16.0	19.0	21.0	26.5	28.5	31.0	36.0	41.0	47.0	53.5	75
■ 0.8	0.82	0.84	0.87	0.9	0.92	0.94	0.97	0.98	1.02	1.03	1.05	1.07	1.09	1.12	1.14	
-	7.4	9.1	11.1	13.4	15.9	18.4	21.4	23.4	28.9	30.9	33.4	38.4	43.4	49.4	55.9	76
-	-	-	8.1	10.4	12.9	15.4	18.4	20.4	25.9	27.9	30.4	35.4	40.4	46.4	52.9	77
7.4	8.9	10.7	12.7	14.9	17.4	19.9	22.9	24.9	30.4	32.4	34.9	39.9	44.9	50.9	57.4	78
6.8	8.3	10	12	14.3	16.8	19.3	22.3	24.3	29.8	31.8	34.3	39.3	44.3	50.3	56.8	79
-	-	-	-	-	-	-	-	-	16.1	18.1	20.6	25.6	30.6	36.6	43.1	80
■ 0.79	0.82	0.84	0.87	0.89	0.92	0.94	0.97	0.98	1.02	1.03	1.04	1.07	1.09	1.12	1.14	
-	-	-	-	-	-	-	13.3	15.3	20.9	22.9	25.4	30.4	35.4	41.4	47.9	81
-	-	7.5	9.5	11.7	14.2	16.7	19.7	21.7	27.2	29.2	31.7	36.7	41.7	47.7	54.2	82
-	-	-	-	8.9	11.5	14.0	17.0	19.0	24.5	26.5	29.0	34.0	39.0	45.0	51.5	83
7.9	9.4	11.1	13.1	15.4	17.9	20.4	23.4	25.4	30.9	32.9	35.4	40.4	45.4	51.4	57.9	84
8.2	9.7	11.4	13.4	15.7	18.2	20.7	23.7	25.7	31.2	33.2	35.7	40.7	45.7	51.7	58.2	85
■ 0.79	0.82	0.84	0.87	0.89	0.92	0.94	0.96	0.98	1.02	1.03	1.04	1.07	1.09	1.12	1.14	
6.3	7.8	9.6	11.6	13.8	16.3	18.8	21.8	23.8	29.3	31.3	33.8	38.8	43.8	49.8	56.3	86
-	-	8.1	10.1	12.3	14.8	17.4	20.4	22.4	27.9	29.9	32.4	37.4	42.4	48.4	54.9	87
8.4	9.9	11.7	13.7	15.9	18.4	20.9	23.9	25.9	31.4	33.4	35.9	40.9	45.9	51.9	58.4	88
-	-	-	8.9	11.1	13.6	16.1	19.1	21.1	26.6	28.6	31.2	36.2	41.2	47.2	53.7	89
-	7.2	8.9	10.9	13.2	15.7	18.2	21.2	23.2	28.7	30.7	33.2	38.2	43.2	49.2	55.7	90
■ 0.79	0.81	0.84	0.86	0.89	0.92	0.94	0.97	0.98	1.02	1.03	1.05	1.07	1.09	1.12	1.14	
6.9	8.4	10.1	12.1	14.4	16.9	19.4	22.4	24.4	29.9	31.9	34.4	39.4	44.4	50.4	56.9	91
7.5	9.0	10.8	12.8	15.0	17.5	20.0	23.0	25.0	30.5	32.5	35.0	40.0	45.0	51.0	57.5	92
-	-	-	8.3	10.6	13.1	15.6	18.6	20.6	26.1	28.1	30.6	35.6	40.6	46.6	53.1	93
6.1	7.6	9.4	11.4	13.6	16.1	18.6	21.6	23.6	29.1	31.1	33.6	38.6	43.6	49.6	56.1	94
8.0	9.5	11.3	13.3	15.5	18.0	20.5	23.5	25.5	31.0	33.0	35.5	40.5	45.5	51.5	58.0	95
■ 0.79	0.81	0.84	0.86	0.89	0.92	0.94	0.97	0.98	1.02	1.03	1.05	1.07	1.09	1.12	1.14	
6.5	8.0	9.7	11.7	14.0	16.5	19.0	22.0	24.0	29.5	31.5	34.0	39.0	44.0	50.0	56.5	96
-	-	-	-	9.2	11.8	14.3	17.3	19.3	24.8	26.8	29.3	34.3	39.3	45.3	51.8	97
8.3	9.8	11.5	13.5	15.8	18.3	20.8	23.8	25.8	31.3	33.3	35.8	40.8	45.8	51.8	58.3	98
-	-	-	9.1	11.3	13.8	16.3	19.3	21.3	26.8	28.8	31.3	36.3	41.3	47.4	53.9	99
-	6.9	8.7	10.7	12.9	15.4	18.0	21.0	23.0	28.5	30.5	33.0	38.0	43.0	49.0	55.5	100
■ 0.79	0.81	0.84	0.86	0.89	0.91	0.94	0.96	0.98	1.02	1.03	1.04	1.07	1.09	1.12	1.14	

▲ Not all available belt lengths are shown.

■ Combined Arc-Length correction factors for 5 preceding lines.

# 3VX Belts In 3V Sheaves

## Drive Selection Tables

LINE #	RATIO	STOCK SHEAVES			DRIVEN SPEEDS AND HORSEPOWER RATINGS PER BELT					
		Datum Diameter		Number Grooves	1160 RPM		1750 RPM		3500 RPM	
		DR	DN		Driven Speed	H.P. Rating	Driven Speed	H.P. Rating	Driven Speed	H.P. Rating
101	1.45	4.75	6.90	1-6,8,10	799	4.15	1205	5.98	2409	10.64
102	1.46	4.12	6.00	1-4	797	3.44	1202	4.95	2403	8.87
103	1.46	2.50	3.65	1-3	795	1.56	1199	2.22	2397	3.95
104	1.47	2.80	4.12	1-4	788	1.92	1189	2.74	2379	4.91
105	1.49	3.35	5.00	1-4	777	2.56	1173	3.68	2345	6.61
106	1.50	3.00	4.50	1-4	773	2.15	1167	3.09	2333	5.54
107	1.51	3.15	4.75	1-4	769	2.33	1161	3.34	2321	6.01
108	1.51	5.30	8.00	1-6,8,10	769	4.77	1159	6.87	2319	12.11
109	1.52	2.20	3.35	1-2	762	1.21	1149	1.71	2299	3.00
110	1.53	4.50	6.90	1-4	757	3.88	1141	5.59	2283	9.97
111	1.53	3.65	5.60	1-4	756	2.91	1141	4.19	2281	7.52
112	1.54	6.90	10.60	1-6,8,10	755	6.52	1139	9.34	2278	15.92
113	1.55	2.35	3.65	1-2	747	1.39	1127	1.98	2253	3.50
114	1.55	2.65	4.12	1-4	746	1.75	1126	2.50	2251	4.46
115	1.58	4.12	6.50	1-4	735	3.45	1109	4.97	2218	8.91
116	1.58	3.35	5.30	1-4	733	2.57	1106	3.69	2212	6.63
117	1.58	3.00	4.75	1-4	733	2.16	1105	3.10	2211	5.56
118	1.59	3.15	5.00	1-4	731	2.34	1103	3.35	2205	6.02
119	1.60	5.00	8.00	1-6,8,10	725	4.45	1094	6.40	2188	11.35
120	1.61	2.80	4.50	1-4	722	1.93	1089	2.76	2178	4.94
121	1.63	6.50	10.60	1-6,8,10	711	6.10	1073	8.75	2146	15.06
122	1.64	3.65	6.00	1-4	706	2.92	1065	4.20	2129	7.55
123	1.65	2.50	4.12	1-3	704	1.58	1062	2.25	2124	4.00
124	1.66	2.20	3.65	1-2	699	1.22	1055	1.73	2110	3.03
125	1.67	3.00	5.00	1-4	696	2.17	1050	3.11	2100	5.58
126	1.67	3.35	5.60	1-4	694	2.57	1047	3.70	2094	6.65
127	1.67	4.12	6.90	1-4	693	3.46	1045	4.98	2090	8.92
128	1.68	3.15	5.30	1-4	689	2.34	1040	3.36	2080	6.04
129	1.68	4.75	8.00	1-6,8,10	689	4.17	1039	6.01	2078	10.69
130	1.70	2.80	4.75	1-4	684	1.93	1032	2.77	2063	4.96
131	1.70	2.65	4.50	1-4	683	1.76	1031	2.51	2061	4.48
132	1.75	8.00	14.00	1-6,8,10	663	7.70	1000	10.99	-	-
133	1.75	2.35	4.12	1-2	662	1.40	998	1.99	1996	3.53
134	1.77	3.00	5.30	1-4	657	2.17	991	3.11	1981	5.59
135	1.77	6.00	10.60	1-6,8,10	657	5.56	991	7.99	1981	13.91
136	1.78	3.15	5.60	1-4	653	2.35	984	3.37	1969	6.05
137	1.78	4.50	8.00	1-4	653	3.89	984	5.61	1969	10.01
138	1.78	3.65	6.50	1-4	651	2.93	983	4.21	1965	7.57
139	1.79	2.80	5.00	1-4	650	1.94	980	2.77	1960	4.97
140	1.79	3.35	6.00	1-4	648	2.58	977	3.71	1954	6.67
141	1.79	2.65	4.75	1-4	647	1.76	976	2.52	1953	4.50
142	1.79	10.60	19.00	1-6,8,10	647	10.36	976	14.56	-	-
143	1.80	2.50	4.50	1-3	644	1.58	972	2.26	1944	4.02
144	1.87	3.00	5.60	1-4	621	2.17	938	3.12	1875	5.60
145	1.87	2.20	4.12	1-2	619	1.23	934	1.74	1869	3.06
146	1.89	2.65	5.00	1-4	615	1.76	928	2.52	1855	4.50
147	1.89	3.65	6.90	1-4	614	2.93	926	4.21	1851	7.58
148	1.89	2.80	5.30	1-4	613	1.94	925	2.78	1849	4.98
149	1.89	5.60	10.60	1-6,8,10	613	5.12	925	7.37	1849	12.94
150	1.90	2.50	4.75	1-3	611	1.59	921	2.26	1842	4.03



# 3VX Belts In 3V Sheaves

## Drive Selection Tables

CENTER DISTANCE AND COMBINED ARC-LENGTH CORRECTION FACTOR ▲																
3VX 250	3VX 280	3VX 315	3VX 355	3VX 400	3VX 450	3VX 500	3VX 560	3VX 600	3VX 710	3VX 750	3VX 800	3VX 900	3VX 1000	3VX 1120	3VX 1250	LINE #
-	-	-	8.5	10.8	13.3	15.8	18.8	20.8	26.3	28.3	30.8	35.8	40.8	46.8	53.3	101
-	-	7.7	9.8	12.0	14.5	17.0	20.0	22.0	27.5	29.5	32.0	37.0	42.0	48.0	54.5	102
7.6	9.2	10.9	12.9	15.2	17.7	20.2	23.2	25.2	30.7	32.7	35.2	40.2	45.2	51.2	57.7	103
7.0	8.5	10.3	12.3	14.6	17.1	19.6	22.6	24.6	30.1	32.1	34.6	39.6	44.6	50.6	57.1	104
-	7.4	9.2	11.2	13.4	15.9	18.4	21.4	23.4	28.9	30.9	33.4	38.4	43.4	49.4	55.9	105
■	<b>0.79</b>	<b>0.81</b>	<b>0.83</b>	<b>0.86</b>	<b>0.89</b>	<b>0.92</b>	<b>0.94</b>	<b>0.97</b>	<b>0.98</b>	<b>1.02</b>	<b>1.03</b>	<b>1.04</b>	<b>1.07</b>	<b>1.09</b>	<b>1.12</b>	<b>1.14</b>
6.6	8.1	9.8	11.8	14.1	16.6	19.1	22.1	24.1	29.6	31.6	34.1	39.1	44.1	50.1	56.6	106
6.2	7.8	9.5	11.5	13.8	16.3	18.8	21.8	23.8	29.3	31.3	33.8	38.8	43.8	49.8	56.3	107
-	-	-	-	9.5	12.0	14.5	17.5	19.5	25.0	27.0	29.5	34.5	39.5	45.5	52.0	108
8.1	9.6	11.4	13.4	15.6	18.1	20.6	23.6	25.6	31.1	33.1	35.6	40.6	45.6	51.6	58.1	109
-	-	-	8.7	11.0	13.5	16.0	19.0	21.0	26.5	28.5	31.0	36.0	41.0	47.0	53.5	110
■	<b>0.78</b>	<b>0.81</b>	<b>0.84</b>	<b>0.86</b>	<b>0.88</b>	<b>0.91</b>	<b>0.94</b>	<b>0.96</b>	<b>0.98</b>	<b>1.02</b>	<b>1.03</b>	<b>1.04</b>	<b>1.07</b>	<b>1.09</b>	<b>1.12</b>	<b>1.14</b>
-	6.7	8.4	10.4	12.7	15.2	17.7	20.7	22.7	28.2	30.2	32.7	37.7	42.7	48.7	55.2	111
-	-	-	-	-	-	11.1	14.1	16.1	21.7	23.7	26.2	31.2	36.2	42.2	48.7	112
7.8	9.3	11.0	13.0	15.3	17.8	20.3	23.3	25.3	30.8	32.8	35.3	40.3	45.3	51.3	57.8	113
7.1	8.7	10.4	12.4	14.7	17.2	19.7	22.7	24.7	30.2	32.2	34.7	39.7	44.7	50.7	57.2	114
-	-	7.3	9.3	11.6	14.1	16.6	19.6	21.6	27.1	29.1	31.6	36.6	41.6	47.6	54.1	115
■	<b>0.78</b>	<b>0.81</b>	<b>0.83</b>	<b>0.86</b>	<b>0.89</b>	<b>0.91</b>	<b>0.93</b>	<b>0.96</b>	<b>0.98</b>	<b>1.01</b>	<b>1.03</b>	<b>1.04</b>	<b>1.07</b>	<b>1.09</b>	<b>1.12</b>	<b>1.14</b>
-	7.1	8.9	10.9	13.2	15.7	18.2	21.2	23.2	28.7	30.7	33.2	38.2	43.2	49.2	55.7	116
6.4	7.9	9.6	11.6	13.9	16.4	18.9	21.9	23.9	29.4	31.4	33.9	38.9	43.9	49.9	56.4	117
6.0	7.5	9.3	11.3	13.6	16.1	18.6	21.6	23.6	29.1	31.1	33.6	38.6	43.6	49.6	56.1	118
-	-	-	-	9.7	12.2	14.7	17.7	19.7	25.2	27.2	29.8	34.8	39.8	45.8	52.3	119
6.7	8.2	10.0	12.0	14.2	16.7	19.2	22.3	24.3	29.8	31.8	34.3	39.3	44.3	50.3	56.8	120
■	<b>0.77</b>	<b>0.8</b>	<b>0.83</b>	<b>0.86</b>	<b>0.88</b>	<b>0.91</b>	<b>0.94</b>	<b>0.96</b>	<b>0.98</b>	<b>1.02</b>	<b>1.03</b>	<b>1.04</b>	<b>1.07</b>	<b>1.09</b>	<b>1.12</b>	<b>1.14</b>
-	-	-	-	-	-	11.4	14.4	16.4	22	24	26.5	31.5	36.5	42.5	49.0	121
-	-	8.1	10.1	12.4	14.9	17.4	20.4	22.4	27.9	29.9	32.4	37.4	42.4	48.4	54.9	122
7.3	8.8	10.5	12.5	14.8	17.3	19.8	22.8	24.8	30.3	32.3	34.8	39.8	44.8	50.8	57.3	123
7.9	9.4	11.1	13.1	15.4	17.9	20.4	23.4	25.4	30.9	32.9	35.4	40.4	45.4	51.4	57.9	124
6.1	7.7	9.4	11.4	13.7	16.2	18.7	21.7	23.7	29.2	31.2	33.7	38.7	43.7	49.7	56.2	125
■	<b>0.78</b>	<b>0.81</b>	<b>0.83</b>	<b>0.86</b>	<b>0.89</b>	<b>0.91</b>	<b>0.93</b>	<b>0.96</b>	<b>0.97</b>	<b>1.01</b>	<b>1.03</b>	<b>1.04</b>	<b>1.07</b>	<b>1.09</b>	<b>1.11</b>	<b>1.14</b>
-	6.9	8.6	10.7	12.9	15.4	17.9	20.9	22.9	28.4	30.4	33	38	43	49	55.5	126
-	-	9	11.3	13.8	16.3	19.3	21.3	23.3	28.8	30.8	33.3	38.3	43.3	49.3	55.8	127
-	7.3	9.0	11.1	13.3	15.8	18.3	21.3	23.3	28.8	30.8	33.3	38.3	43.4	49.4	55.9	128
-	-	-	-	9.9	12.4	14.9	17.9	19.9	25.4	27.4	29.9	34.9	40.0	46.0	52.5	129
6.5	8.0	9.8	11.8	14.0	16.5	19.0	22.0	24.1	29.6	31.6	34.1	39.1	44.1	50.1	56.6	130
■	<b>0.77</b>	<b>0.8</b>	<b>0.83</b>	<b>0.85</b>	<b>0.88</b>	<b>0.91</b>	<b>0.93</b>	<b>0.96</b>	<b>0.98</b>	<b>1.01</b>	<b>1.03</b>	<b>1.04</b>	<b>1.07</b>	<b>1.09</b>	<b>1.11</b>	<b>1.14</b>
6.8	8.3	10.1	12.1	14.4	16.9	19.4	22.4	24.4	29.9	31.9	34.4	39.4	44.4	50.4	56.9	131
-	-	-	-	-	-	-	-	-	18.0	20.0	22.5	27.6	32.6	38.6	45.1	132
7.4	8.9	10.6	12.6	14.9	17.4	19.9	22.9	24.9	30.4	32.4	34.9	39.9	44.9	50.9	57.4	133
-	7.4	9.2	11.2	13.4	15.9	18.4	21.5	23.5	29.0	31.0	33.5	38.5	43.5	49.5	56.0	134
-	-	-	-	-	-	11.7	14.8	16.8	22.3	24.4	26.9	31.9	36.9	42.9	49.4	135
■	<b>0.78</b>	<b>0.8</b>	<b>0.83</b>	<b>0.86</b>	<b>0.89</b>	<b>0.91</b>	<b>0.93</b>	<b>0.96</b>	<b>0.97</b>	<b>1</b>	<b>1.02</b>	<b>1.03</b>	<b>1.06</b>	<b>1.09</b>	<b>1.11</b>	<b>1.14</b>
-	7.0	8.8	10.8	13.1	15.6	18.1	21.1	23.1	28.6	30.6	33.1	38.1	43.1	49.1	55.6	136
-	-	-	10.0	12.6	15.1	18.1	21.1	23.1	28.6	30.6	33.1	38.1	43.1	49.1	55.6	137
-	-	7.6	9.7	11.9	14.5	17.0	20.0	22.0	27.5	29.5	32.0	37.0	42.0	48.0	54.5	138
6.3	7.8	9.6	11.6	13.8	16.3	18.8	21.8	23.8	29.4	31.4	33.9	38.9	43.9	49.9	56.4	139
-	6.5	8.3	10.3	12.6	15.1	17.6	20.6	22.6	28.1	30.1	32.6	37.6	42.6	48.6	55.1	140
■	<b>0.76</b>	<b>0.79</b>	<b>0.82</b>	<b>0.85</b>	<b>0.88</b>	<b>0.91</b>	<b>0.93</b>	<b>0.96</b>	<b>0.97</b>	<b>1.01</b>	<b>1.02</b>	<b>1.04</b>	<b>1.07</b>	<b>1.09</b>	<b>1.11</b>	<b>1.14</b>
6.6	8.1	9.9	11.9	14.1	16.7	19.2	22.2	24.2	29.7	31.7	34.2	39.2	44.2	50.2	56.7	141
-	-	-	-	-	-	-	-	-	-	-	-	21.3	26.4	32.5	39.0	142
6.9	8.4	10.2	12.2	14.5	17.0	19.5	22.5	24.5	30.0	32.0	34.5	39.5	44.5	50.5	57.0	143
-	7.1	8.9	10.9	13.2	15.7	18.2	21.2	23.2	28.7	30.7	33.2	38.2	43.2	49.2	55.7	144
7.5	9.0	10.7	12.8	15.0	17.5	20.0	23.0	25.0	30.5	32.5	35.0	40.0	45.0	51.0	57.5	145
■	<b>0.77</b>	<b>0.8</b>	<b>0.83</b>	<b>0.86</b>	<b>0.89</b>	<b>0.91</b>	<b>0.94</b>	<b>0.96</b>	<b>0.98</b>	<b>1.02</b>	<b>1.03</b>	<b>1.04</b>	<b>1.06</b>	<b>1.08</b>	<b>1.11</b>	<b>1.13</b>
6.4	7.9	9.7	11.7	13.9	16.4	19.0	22.0	24.0	29.5	31.5	34.0	39.0	44.0	50.0	56.5	146
-	-	7.3	9.3	11.6	14.1	16.6	19.6	21.6	27.2	29.2	31.7	36.7	41.7	47.7	54.2	147
6.0	7.5	9.3	11.3	13.6	16.1	18.6	21.6	23.6	29.1	31.1	33.6	38.6	43.6	49.6	56.1	148
-	-	-	-	-	-	12.0	15.1	17.1	22.6	24.6	27.2	32.2	37.2	43.2	49.7	149
6.7	8.2	10.0	12.0	14.3	16.8	19.3	22.3	24.3	29.8	31.8	34.3	39.3	44.3	50.3	56.8	150
■	<b>0.76</b>	<b>0.79</b>	<b>0.82</b>	<b>0.85</b>	<b>0.88</b>	<b>0.91</b>	<b>0.93</b>	<b>0.95</b>	<b>0.97</b>	<b>1.01</b>	<b>1.02</b>	<b>1.04</b>	<b>1.06</b>	<b>1.09</b>	<b>1.11</b>	<b>1.14</b>

▲ Not all available belt lengths are shown.

■ Combined Arc-Length correction factors for 5 preceding lines.

# 3VX Belts In 3V Sheaves

## Drive Selection Tables

LINE #	RATIO	STOCK SHEAVES		Number Grooves	DRIVEN SPEEDS AND HORSEPOWER RATINGS PER BELT					
		Datum Diameter			1160 RPM		1750 RPM		3500 RPM	
		DR	DN		Driven Speed	H.P. Ratings	Driven Speed	H.P. Ratings	Driven Speed	H.P. Ratings
151	1.90	3.15	6.00	1-4	609	2.35	919	3.37	1838	6.07
152	1.91	2.35	4.50	1-2	606	1.41	914	2.00	1828	3.55
153	1.94	3.35	6.50	1-4	598	2.58	902	3.71	1804	6.68
154	1.94	4.12	8.00	1-4	597	3.47	901	4.99	1802	8.95
155	2.00	2.50	5.00	1-3	580	1.59	875	2.27	1750	4.03
156	2.00	2.65	5.30	1-4	580	1.77	875	2.52	1750	4.51
157	2.00	2.80	5.60	1-4	580	1.94	875	2.78	1750	4.99
158	2.00	3.00	6.00	1-4	580	2.18	875	3.12	1750	5.61
159	2.00	5.30	10.60	1-6,8,10	580	4.80	875	6.90	1750	12.18
160	2.02	2.35	4.75	1-2	574	1.41	866	2.01	1732	3.55
161	2.03	6.90	14.00	1-6,8,10	572	6.54	863	9.38	1725	15.98
162	2.05	2.20	4.50	1-2	567	1.23	856	1.75	1711	3.07
163	2.06	3.35	6.90	1-4	563	2.59	850	3.72	1699	6.69
164	2.06	3.15	6.50	1-4	562	2.35	848	3.38	1696	6.08
165	2.11	2.65	5.60	1-4	549	1.77	828	2.53	1656	4.52
166	2.12	2.50	5.30	1-3	547	1.59	825	2.27	1651	4.04
167	2.12	5.00	10.60	1-6,8,10	547	4.46	825	6.43	1651	11.40
168	2.13	2.35	5.00	1-2	545	1.41	823	2.01	1645	3.56
169	2.14	2.80	6.00	1-4	541	1.95	817	2.79	1633	4.99
170	2.15	6.50	14.00	1-6,8,10	539	6.11	812	8.77	1625	15.11
171	2.16	2.20	4.75	1-2	537	1.23	811	1.75	1621	3.07
172	2.17	3.00	6.50	1-4	535	2.18	808	3.13	1615	5.62
173	2.19	3.15	6.90	1-4	530	2.36	799	3.38	1598	6.08
174	2.19	3.65	8.00	1-4	529	2.93	798	4.22	1597	7.59
175	2.23	4.75	10.60	1-6,8,10	520	4.19	784	6.03	1568	10.73
176	2.24	2.50	5.60	1-3	518	1.59	781	2.27	1563	4.05
177	2.26	2.35	5.30	1-2	514	1.42	776	2.01	1552	3.56
178	2.26	2.65	6.00	1-4	512	1.77	773	2.53	1546	4.53
179	2.27	2.20	5.00	1-2	510	1.24	770	1.75	1540	3.08
180	2.30	3.00	6.90	1-4	504	2.18	761	3.13	1522	5.62
181	2.32	2.80	6.50	1-4	500	1.95	754	2.79	1508	5.00
182	2.33	6.00	14.00	1-6,8,10	497	5.57	750	8.01	1500	13.95
183	2.36	4.50	10.60	1-4	492	3.91	743	5.63	1486	10.05
184	2.36	10.60	25.00	2-6,8,10	492	10.38	742	14.58	-	-
185	2.38	8.00	19.00	1-6,8,10	488	7.72	737	11.01	-	-
186	2.38	2.35	5.60	1-2	487	1.42	734	2.01	1469	3.57
187	2.39	3.35	8.00	1-4	486	2.59	733	3.72	1466	6.70
188	2.40	2.50	6.00	1-3	483	1.59	729	2.27	1458	4.05
189	2.41	2.20	5.30	1-2	482	1.24	726	1.75	1453	3.08
190	2.45	2.65	6.50	1-4	473	1.77	713	2.53	1427	4.53
191	2.46	2.80	6.90	1-4	471	1.95	710	2.79	1420	5.00
192	2.50	5.60	14.00	1-6,8,10	464	5.13	700	7.38	1400	12.97
193	2.54	3.15	8.00	1-4	457	2.36	689	3.39	1378	6.09
194	2.55	2.20	5.60	1-2	456	1.24	688	1.75	1375	3.09
195	2.55	2.35	6.00	1-2	454	1.42	685	2.02	1371	3.57
196	2.57	4.12	10.60	1-4	451	3.48	680	5.01	1360	8.98
197	2.60	2.50	6.50	1-3	446	1.60	673	2.28	1346	4.06
198	2.60	2.65	6.90	1-4	446	1.77	672	2.54	1344	4.53
199	2.64	5.30	14.00	1-6,8,10	39	4.80	663	6.91	1325	12.20
200	2.67	3.00	8.00	1-4	435	2.19	656	3.14	1313	5.63

# 3VX Belts In 3V Sheaves

## Drive Selection Tables

CENTER DISTANCE AND COMBINED ARC-LENGTH CORRECTION FACTOR ▲																
3VX 250	3VX 280	3VX 315	3VX 355	3VX 400	3VX 450	3VX 500	3VX 560	3VX 600	3VX 710	3VX 750	3VX 800	3VX 900	3VX 1000	3VX 1120	3VX 1250	LINE #
-	6.7	8.4	10.5	12.7	15.2	17.8	20.8	22.8	28.3	30.3	32.8	37.8	42.8	48.8	55.3	151
7	8.6	10.3	12.3	14.6	17.1	19.6	22.6	24.6	30.1	32.1	34.6	39.6	44.6	50.6	57.1	152
-	-	7.9	9.9	12.2	14.7	17.2	20.2	22.2	27.7	29.7	32.2	37.2	42.2	48.2	54.7	153
-	-	-	8	10.3	12.8	15.4	18.4	20.4	25.9	27.9	30.4	35.4	40.4	46.4	52.9	154
6.5	8	9.8	11.8	14.1	16.6	19.1	22.1	24.1	29.6	31.6	34.1	39.1	44.1	50.1	56.6	155
■ 0.77	0.79	0.82	0.84	0.87	0.9	0.93	0.96	0.97	1.01	1.02	1.04	1.06	1.09	1.11	1.14	
6.1	7.6	9.4	11.4	13.7	16.2	18.7	21.7	23.7	29.2	31.2	33.7	38.7	43.7	49.7	56.2	156
-	7.3	9	11.1	13.3	15.8	18.3	21.4	23.4	28.9	30.9	33.4	38.4	43.4	49.4	55.9	157
-	6.8	8.5	10.6	12.8	15.4	17.9	20.9	22.9	28.4	30.4	32.9	37.9	42.9	48.9	55.4	158
-	-	-	-	-	-	12.2	15.3	17.3	22.9	24.9	27.4	32.4	37.4	43.4	49.9	159
6.8	8.3	10.1	12.1	14.4	16.9	19.4	22.4	24.4	29.9	31.9	34.4	39.4	44.4	50.4	56.9	160
■ 0.76	0.79	0.82	0.85	0.88	0.91	0.92	0.95	0.97	1.01	1.02	1.04	1.06	1.09	1.11	1.14	
-	-	-	-	-	-	-	-	13.1	18.7	20.8	23.3	28.4	33.4	39.4	45.9	161
7.1	8.7	10.4	12.4	14.7	17.2	19.7	22.7	24.7	30.2	32.2	34.7	39.7	44.7	50.7	57.2	162
-	-	7.5	9.5	11.8	14.3	16.9	19.9	21.9	27.4	29.4	31.9	36.9	41.9	47.9	54.4	163
-	-	8	10	12.3	14.8	17.3	20.4	22.4	27.9	29.9	32.4	37.4	42.4	48.4	54.9	164
-	7.4	9.2	11.2	13.4	16	18.5	21.5	23.5	29	31	33.5	38.5	43.5	49.5	56	165
■ 0.77	0.79	0.81	0.84	0.87	0.9	0.93	0.96	0.96	1	1.02	1.03	1.06	1.08	1.11	1.13	
6.2	7.7	9.5	11.5	13.8	16.3	18.8	21.8	23.8	29.3	31.3	33.8	38.8	43.9	49.9	56.4	166
-	-	-	-	-	9.8	12.4	15.5	17.5	23.1	25.1	27.6	32.6	37.6	43.7	50.2	167
6.6	8.1	9.9	11.9	14.2	16.7	19.2	22.2	24.2	29.7	31.7	34.2	39.2	44.2	50.2	56.7	168
-	6.9	8.7	10.7	13	15.5	18	21	23	28.5	30.5	33	38.1	43.1	49.1	55.6	169
-	-	-	-	-	-	-	-	13.4	19	21.1	23.6	28.7	33.7	39.7	46.2	170
■ 0.75	0.78	0.82	0.85	0.88	0.89	0.92	0.95	0.95	1	1.01	1.03	1.06	1.08	1.11	1.13	
6.9	8.4	10.2	12.2	14.5	17	19.5	22.5	24.5	30	32	34.5	39.5	44.5	50.5	57	171
-	-	8.1	10.1	12.4	14.9	17.5	20.5	22.5	28	30	32.5	37.5	42.5	48.5	55	172
-	-	7.6	9.7	12	14.5	17	20	22	27.5	29.5	32.1	37.1	42.1	48.1	54.6	173
-	-	-	8.3	10.6	13.2	15.7	18.7	20.7	26.3	28.3	30.8	35.8	40.8	46.8	53.3	174
-	-	-	-	10	12.6	15.7	18.7	21.7	27.3	29.3	31.8	36.8	41.8	47.8	54.3	175
■ 0.76	0.79	0.81	0.83	0.87	0.89	0.92	0.95	0.96	1	1.02	1.03	1.06	1.08	1.11	1.13	
5.9	7.5	9.3	11.3	13.5	16.1	18.6	21.6	23.6	29.1	31.1	33.6	38.6	43.6	49.6	56.1	176
6.3	7.9	9.6	11.6	13.9	16.4	18.9	21.9	23.9	29.5	31.5	34	39	44	50	56.5	177
-	7	8.8	10.8	13.1	15.6	18.1	21.1	23.1	28.7	30.7	33.2	38.2	43.2	49.2	55.7	178
6.7	8.2	10	12	14.3	16.8	19.3	22.3	24.3	29.8	31.8	34.3	39.3	44.3	50.3	56.8	179
-	-	7.7	9.8	12.1	14.6	17.1	20.1	22.1	27.7	29.7	32.2	37.2	42.2	48.2	54.7	180
■ 0.75	0.78	0.81	0.84	0.87	0.9	0.93	0.96	0.97	1.01	1.02	1.04	1.06	1.09	1.11	1.14	
-	6.4	8.2	10.3	12.6	15.1	17.6	20.6	22.6	28.1	30.1	32.6	37.7	42.7	48.7	55.2	181
-	-	-	-	-	-	-	-	13.7	19.4	21.4	24	29	34.1	40.1	46.6	182
-	-	-	-	10.2	12.8	15.8	18.9	21.9	27.4	29.4	31.9	36.9	41.9	47.9	54.4	183
-	-	-	-	-	-	-	-	-	23.4	25.4	28	33	38	44	50.5	184
-	-	-	-	-	-	-	-	-	-	-	-	20.8	27.1	33.8	40.9	185
■ 0	0.76	0.8	0.83	0.87	0.87	0.9	0.94	0.94	0.99	0.98	1	1.04	1.05	1.08	1.11	
6	7.6	9.4	11.4	13.7	16.2	18.7	21.7	23.7	29.2	31.2	33.7	38.7	43.7	49.7	56.2	186
-	-	-	8.5	10.8	13.4	15.9	18.9	21	26.5	28.5	31	36	41	47	53.5	187
-	7.1	8.9	10.9	13.2	15.7	18.2	21.3	23.3	28.8	30.8	33.3	38.3	43.3	49.3	55.8	188
6.4	8	9.7	11.8	14	16.5	19	22.1	24.1	29.6	31.6	34.1	39.1	44.1	50.1	56.6	189
-	6.5	8.3	10.4	12.7	15.2	17.7	20.7	22.7	28.2	30.3	32.8	37.8	42.8	48.8	55.3	190
■ 0.74	0.77	0.81	0.83	0.87	0.9	0.92	0.95	0.97	1.01	1.02	1.04	1.06	1.09	1.11	1.14	
-	-	7.9	9.9	12.2	14.7	17.3	20.3	22.3	27.8	29.8	32.3	37.3	42.3	48.3	54.8	191
-	-	-	-	-	-	-	-	11.9	17.7	19.7	22.2	27.2	32.2	38.2	44.7	192
-	-	-	8.7	11	13.5	16.1	19.1	21.1	26.6	28.6	31.1	36.2	41.2	47.2	53.7	193
6.1	7.7	9.5	11.5	13.8	16.3	18.8	21.8	23.8	29.3	31.3	33.8	38.8	43.8	49.8	56.3	194
-	7.2	9	11	13.3	15.8	18.4	21.4	23.4	28.9	30.9	33.4	38.4	43.4	49.4	55.9	195
■ 0.74	0.77	0.8	0.83	0.86	0.89	0.92	0.93	0.95	1	1.01	1.03	1.06	1.08	1.11	1.13	
-	-	-	-	-	10.4	13	16.1	18.1	23.7	25.7	28.3	33.3	38.3	44.3	50.8	196
-	6.6	8.4	10.5	12.8	15.3	17.8	20.8	22.8	28.4	30.4	32.9	37.9	42.9	48.9	55.4	197
-	-	8	10	12.3	14.8	17.4	20.4	22.4	27.9	29.9	32.4	37.4	42.4	48.4	54.9	198
-	-	-	-	-	-	-	12.1	14.2	19.9	21.9	24.5	29.5	34.6	40.6	47.1	199
-	-	-	8.8	11.1	13.6	16.2	19.2	21.2	26.7	28.8	31.3	36.3	41.3	47.3	53.8	200
■ 0.75	0.79	0.82	0.86	0.88	0.91	0.92	0.95	0.99	1.01	1.02	1.05	1.08	1.1	1.13		

▲ Not all available belt lengths are shown.

■ Combined Arc-Length correction factors for 5 preceding lines.

# 3VX Belts In 3V Sheaves

## Drive Selection Tables

LINE #	RATIO	STOCK SHEAVES			DRIVEN SPEEDS AND HORSEPOWER RATINGS PER BELT					
		Datum Diameter		Number Grooves	1160 RPM		1750 RPM		3500 RPM	
		DR	DN		Driven Speed	H.P. Ratings	Driven Speed	H.P. Ratings	Driven Speed	H.P. Ratings
201	2.73	2.20	6.00	1-2	425	1.24	642	1.76	1283	3.09
202	2.75	6.90	19.00	1-6,8,10	421	6.55	636	9.39	1271	16.01
203	2.76	2.50	6.90	1-3	420	1.60	634	2.28	1268	4.06
204	2.77	2.35	6.50	1-2	419	1.42	633	2.02	1265	3.58
205	2.80	5.00	14.00	1-6,8,10	414	4.47	625	6.44	1250	11.42
206	2.86	2.80	8.00	1-4	406	1.95	613	2.80	1225	5.01
207	2.90	3.65	10.60	1-4	399	2.94	603	4.23	1205	7.61
208	2.92	6.50	19.00	1-6,8,10	397	6.12	599	8.78	1197	15.13
209	2.94	2.35	6.90	1-2	395	1.42	596	2.02	1192	3.58
210	2.95	4.75	14.00	1-6,8,10	394	4.19	594	6.04	1188	10.75
211	2.95	2.20	6.50	1-2	393	1.24	592	1.76	1185	3.09
212	3.02	2.65	8.00	1-4	384	1.78	580	2.54	1159	4.54
213	3.11	4.50	14.00	1-4	373	3.91	563	5.63	1125	10.06
214	3.13	8.00	25.00	2-6,8,10	371	7.72	560	11.01	-	-
215	3.14	2.20	6.90	1-2	370	1.24	558	1.76	1116	3.09
216	3.16	10.60	33.50	3-6,8,10	367	10.38	554	14.59	-	-
217	3.16	3.35	10.60	1-4	367	2.59	553	3.73	1106	6.71
218	3.17	6.00	19.00	1-6,8,10	366	5.58	553	8.01	1105	13.96
219	3.20	2.50	8.00	1-3	363	1.60	547	2.28	1094	4.06
220	3.37	3.15	10.60	1-4	345	2.36	520	3.39	1040	6.10
221	3.39	5.60	19.00	1-6,8,10	342	5.14	516	7.39	1032	12.98
222	3.40	4.12	14.00	1-4	341	3.48	515	5.01	1030	8.99
223	3.40	2.35	8.00	1-2	341	1.42	514	2.02	1028	3.58
224	3.53	3.00	10.60	1-4	328	2.19	495	3.14	991	5.64
225	3.58	5.30	19.00	1-6,8,10	324	4.81	488	6.92	976	12.21
226	3.62	6.90	25.00	2-6,8,10	320	6.55	483	9.39	966	16.01
227	3.64	2.20	8.00	1-2	319	1.24	481	1.76	963	3.10
228	3.79	2.80	10.60	1-4	306	1.95	462	2.80	925	5.02
229	3.80	5.00	19.00	1-6,8,10	305	4.47	461	6.44	921	11.43
230	3.84	3.65	14.00	1-4	302	2.94	456	4.23	913	7.62
231	3.85	6.50	25.00	2-6,8,10	302	6.12	455	8.79	910	15.13
232	4.00	2.65	10.60	1-4	290	1.78	438	2.54	875	4.55
233	4.00	4.75	19.00	1-6,8,10	90	4.19	438	6.04	875	10.75
234	4.17	6.00	25.00	2-6,8,10	278	5.58	420	8.02	840	13.97
235	4.18	3.35	14.00	1-4	278	2.60	419	3.73	837	6.72
236	4.19	8.00	33.50	3-6,8,10	277	7.72	418	11.02	-	-
237	4.22	4.50	19.00	1-4	275	3.91	414	5.63	829	10.07
238	4.24	2.50	10.60	1-3	274	1.60	413	2.28	825	4.07
239	4.44	3.15	14.00	1-4	261	2.36	394	3.40	788	6.11
240	4.46	5.60	25.00	2-6,8,10	260	5.14	392	7.39	784	12.98
241	4.51	2.35	10.60	1-2	257	1.42	388	2.02	776	3.59
242	4.61	4.12	19.00	1-4	252	3.48	379	5.01	759	8.99
243	4.67	3.00	14.00	1-4	249	2.19	375	3.14	750	5.65
244	4.72	5.30	25.00	2-6,8,10	246	4.81	371	6.92	742	12.22
245	4.82	2.20	10.60	1-2	241	1.24	363	1.76	726	3.10
246	4.86	6.90	33.50	3-6,8,10	239	6.55	360	9.39	721	16.02
247	5.00	2.80	14.00	1-4	232	1.96	350	2.80	700	5.02
248	5.00	5.00	25.00	2-6,8,10	232	4.47	350	6.44	700	11.43
249	5.15	6.50	33.50	3-6,8,10	225	6.12	340	8.79	679	15.14
250	5.21	3.65	19.00	1-4	223	2.94	336	4.24	672	7.62

# 3VX Belts In 3V Sheaves

## Drive Selection Tables

CENTER DISTANCE AND COMBINED ARC-LENGTH CORRECTION FACTOR ▲																
3VX 280	3VX 315	3VX 355	3VX 400	3VX 450	3VX 500	3VX 560	3VX 600	3VX 710	3VX 750	3VX 800	3VX 900	3VX 1000	3VX 1120	3VX 1250	3VX 1320	LINE #
7.3	9.1	11.1	13.4	15.9	18.5	21.5	23.5	29.0	31.0	33.5	38.5	43.5	49.5	56.0	59.5	201
-	-	-	-	-	-	-	-	-	16.0	18.7	23.9	29.0	35.1	41.7	45.3	202
-	8.1	10.1	12.4	15.0	17.5	20.5	22.5	28.0	30.0	32.5	37.6	42.6	48.6	55.1	58.6	203
6.7	8.5	10.6	12.9	15.4	17.9	20.9	23.0	28.5	30.5	33.0	38.0	43.0	49.0	55.5	59.0	204
-	-	-	-	-	-	12.3	14.4	20.1	22.1	24.7	29.7	34.8	40.8	47.4	50.9	205
■	<b>0.76</b>	<b>0.79</b>	<b>0.83</b>	<b>0.86</b>	<b>0.89</b>	<b>0.92</b>	<b>0.93</b>	<b>0.95</b>	<b>0.99</b>	<b>0.99</b>	<b>1.01</b>	<b>1.04</b>	<b>1.07</b>	<b>1.10</b>	<b>1.12</b>	<b>1.14</b> ■
-	-	8.9	11.2	13.8	16.3	19.3	21.4	26.9	28.9	31.4	36.4	41.4	47.4	54.0	57.5	206
-	-	-	-	10.7	13.4	16.4	18.5	24.1	26.1	28.6	33.6	38.7	44.7	51.2	54.7	207
-	-	-	-	-	-	-	-	-	16.3	18.9	24.2	29.3	35.4	42.0	45.5	208
-	8.2	10.2	12.5	15.1	17.6	20.6	22.6	28.1	30.1	32.7	37.7	42.7	48.7	55.2	58.7	209
-	-	-	-	-	-	12.4	14.5	20.2	22.3	24.8	29.9	35.0	41.0	47.5	51.1	210
■	<b>0.78</b>	<b>0.81</b>	<b>0.85</b>	<b>0.87</b>	<b>0.90</b>	<b>0.91</b>	<b>0.94</b>	<b>0.99</b>	<b>0.98</b>	<b>1.00</b>	<b>1.04</b>	<b>1.06</b>	<b>1.09</b>	<b>1.12</b>	<b>1.13</b> ■	
6.8	8.6	10.7	13.0	15.5	18.0	21.1	23.1	28.6	30.6	33.1	38.1	43.1	49.1	55.6	59.1	211
-	-	9.0	11.3	13.9	16.4	19.5	21.5	27.0	29.0	31.5	36.5	41.5	47.6	54.1	57.6	212
-	-	-	-	-	-	12.6	14.7	20.4	22.5	25.0	30.1	35.1	41.2	47.7	51.2	213
-	-	-	-	-	-	-	-	-	-	-	-	-	-	25.8	29.6	214
-	-	-	-	-	-	-	-	-	-	-	-	22.5	28.8	35.6	39.2	215
■	<b>0.75</b>	<b>0.79</b>	<b>0.81</b>	<b>0.85</b>	<b>0.89</b>	<b>0.91</b>	<b>0.91</b>	<b>0.94</b>	<b>0.99</b>	<b>1.00</b>	<b>1.02</b>	<b>1.05</b>	<b>1.05</b>	<b>1.08</b>	<b>1.08</b>	<b>1.10</b> ■
6.4	8.3	10.3	12.6	15.2	17.7	20.7	22.7	28.3	30.3	32.8	37.8	42.8	48.8	55.3	58.8	216
-	-	-	-	10.9	13.6	16.6	18.7	24.3	26.3	28.8	33.8	38.9	44.9	51.4	54.9	217
-	-	-	-	-	-	-	-	14.4	16.6	19.3	24.5	29.7	35.8	42.4	45.9	218
-	-	9.1	11.4	14.0	16.5	19.6	21.6	27.1	29.1	31.6	36.7	41.7	47.7	54.2	57.7	219
-	-	-	-	11.1	13.7	16.8	18.8	24.4	26.4	29.0	34.0	39.0	45.0	51.6	55.1	220
■	<b>0.73</b>	<b>0.78</b>	<b>0.81</b>	<b>0.85</b>	<b>0.86</b>	<b>0.89</b>	<b>0.93</b>	<b>0.95</b>	<b>0.97</b>	<b>0.99</b>	<b>1.00</b>	<b>1.04</b>	<b>1.07</b>	<b>1.09</b>	<b>1.12</b>	<b>1.13</b> ■
-	-	-	-	-	-	-	-	14.6	16.8	19.5	24.8	29.9	36.1	42.7	46.2	221
-	-	-	-	-	-	12.8	15.0	20.7	22.7	25.3	30.4	35.4	41.5	48.0	51.5	222
-	7.1	9.2	11.5	14.1	16.6	19.7	21.7	27.2	29.2	31.7	36.8	41.8	47.8	54.3	57.8	223
-	-	-	-	11.2	13.8	16.9	18.9	24.5	26.5	29.1	34.1	39.1	45.2	51.7	55.2	224
-	-	-	-	-	-	-	-	14.8	17.0	19.7	25.0	30.1	36.3	42.9	46.4	225
■	<b>0.74</b>	<b>0.80</b>	<b>0.84</b>	<b>0.85</b>	<b>0.89</b>	<b>0.90</b>	<b>0.93</b>	<b>0.93</b>	<b>0.96</b>	<b>0.98</b>	<b>1.02</b>	<b>1.05</b>	<b>1.08</b>	<b>1.11</b>	<b>1.12</b> ■	
-	-	-	-	-	-	-	-	-	-	-	-	23.2	29.6	36.3	39.9	226
-	7.2	9.3	11.6	14.2	16.7	19.8	21.8	27.3	29.3	31.9	36.9	41.9	47.9	54.4	57.9	227
-	-	-	8.6	11.3	13.9	17.0	19.1	24.7	26.7	29.2	34.3	39.3	45.3	51.8	55.3	228
-	-	-	-	-	-	-	-	15.0	17.2	19.9	25.2	30.3	36.5	43.1	46.6	229
-	-	-	-	-	-	13.1	15.3	21.0	23.1	25.6	30.7	35.8	41.8	48.4	51.9	230
■	<b>0.74</b>	<b>0.79</b>	<b>0.80</b>	<b>0.85</b>	<b>0.89</b>	<b>0.90</b>	<b>0.92</b>	<b>0.95</b>	<b>0.97</b>	<b>0.99</b>	<b>1.03</b>	<b>1.04</b>	<b>1.07</b>	<b>1.10</b>	<b>1.12</b> ■	
-	-	-	-	-	-	-	-	-	-	-	17.9	23.4	29.8	36.6	40.2	231
-	-	-	8.7	11.4	14.0	17.1	19.2	24.8	26.8	29.3	34.4	39.4	45.4	51.9	55.5	232
-	-	-	-	-	-	-	-	15.2	17.4	20.1	25.3	30.5	36.7	43.3	46.8	233
-	-	-	-	-	-	-	-	-	-	-	-	-	-	27.5	31.3	234
-	-	-	-	-	-	-	-	-	-	-	18.2	23.8	30.2	36.9	40.5	235
■			<b>0.76</b>	<b>0.83</b>	<b>0.87</b>	<b>0.91</b>	<b>0.93</b>	<b>0.92</b>	<b>0.95</b>	<b>0.97</b>	<b>0.94</b>	<b>1.00</b>	<b>1.05</b>	<b>1.06</b>	<b>1.08</b> ■	
-	-	-	-	-	-	13.3	15.5	21.2	23.3	25.8	30.9	36.0	42.0	48.6	52.1	236
-	-	-	-	-	-	-	-	15.3	17.5	20.2	25.5	30.7	36.8	43.4	47.0	237
-	-	-	8.8	11.5	14.1	17.2	19.3	24.9	26.9	29.4	34.5	39.5	45.5	52.1	55.6	238
-	-	-	-	-	-	13.4	15.6	21.3	23.4	26.0	31.1	36.1	42.2	48.7	52.2	239
-	-	-	-	-	-	-	-	-	-	-	18.4	24.0	30.4	37.2	40.8	240
■			<b>0.76</b>	<b>0.83</b>	<b>0.87</b>	<b>0.87</b>	<b>0.90</b>	<b>0.93</b>	<b>0.96</b>	<b>0.98</b>	<b>0.99</b>	<b>1.03</b>	<b>1.07</b>	<b>1.10</b>	<b>1.11</b> ■	
-	-	-	8.9	11.6	14.2	17.3	19.4	25.0	27.0	29.5	34.6	39.6	45.6	52.2	55.7	241
-	-	-	-	-	-	-	-	15.6	17.8	20.5	25.8	30.9	37.1	43.7	47.3	242
-	-	-	-	-	-	13.5	15.7	21.4	23.5	26.1	31.2	36.2	42.3	48.8	52.4	243
-	-	-	-	-	-	-	-	-	-	-	18.6	24.2	30.6	37.4	41.0	244
-	-	-	-	-	-	-	-	-	-	-	-	-	-	28.1	32.0	245
■			<b>0.76</b>	<b>0.82</b>	<b>0.87</b>	<b>0.88</b>	<b>0.90</b>	<b>0.93</b>	<b>0.95</b>	<b>0.98</b>	<b>0.98</b>	<b>1.02</b>	<b>1.06</b>	<b>1.07</b>	<b>1.09</b> ■	
-	-	-	9.0	11.7	14.3	17.4	19.5	25.1	27.1	29.6	34.7	39.7	45.8	52.3	55.8	246
-	-	-	-	-	10.3	13.7	15.8	21.6	23.6	26.2	31.3	36.4	42.4	49.0	52.5	247
-	-	-	-	-	-	-	-	-	-	-	18.8	24.4	30.8	37.6	41.2	248
-	-	-	-	-	-	-	-	-	-	-	-	-	-	28.4	32.3	249
-	-	-	-	-	-	-	-	15.9	18.1	20.8	26.1	31.3	37.4	44.0	47.6	250
■			<b>0.76</b>	<b>0.82</b>	<b>0.81</b>	<b>0.87</b>	<b>0.90</b>	<b>0.93</b>	<b>0.95</b>	<b>0.97</b>	<b>0.98</b>	<b>1.02</b>	<b>1.06</b>	<b>1.07</b>	<b>1.09</b> ■	

▲ Not all available belt lengths are shown.

■ Combined Arc-Length correction factors for 5 preceding lines.

# 3VX Belts In 3V Sheaves

## Drive Selection Tables

LINE #	RATIO	STOCK SHEAVES			DRIVEN SPEEDS AND HORSEPOWER RATINGS PER BELT					
		Datum Diameter		Number Grooves	1160 RPM		1750 RPM		3500 RPM	
		DR	DN		Driven Speed	H.P. Ratings	Driven Speed	H.P. Ratings	Driven Speed	H.P. Ratings
251	5.26	4.75	25.00	2-6,8,10	220	4.19	333	6.04	665	10.76
252	5.28	2.65	14.00	1-4	220	1.78	331	2.54	663	4.55
253	5.56	4.50	25.00	2-4	209	3.91	315	5.64	630	10.07
254	5.58	6.00	33.50	3-6,8,10	208	5.58	313	8.02	627	13.97
255	5.60	2.50	14.00	1-3	207	1.60	313	2.28	625	4.07
256	5.67	3.35	19.00	1-4	205	2.60	309	3.73	617	6.72
257	5.96	2.35	14.00	1-2	195	1.42	294	2.02	588	3.59
258	5.98	5.60	33.50	3-6,8,10	194	5.14	293	7.39	585	12.99
259	6.03	3.15	19.00	1-4	192	2.37	290	3.40	580	6.11
260	6.07	4.12	25.00	2-4	191	3.48	288	5.02	577	9.00
261	6.32	5.30	33.50	3-6,8,10	184	4.81	277	6.92	554	12.22
262	6.33	3.00	19.00	1-4	183	2.19	276	3.14	553	5.65
263	6.36	2.20	14.00	1-2	182	1.24	275	1.76	550	3.10
264	6.70	5.00	33.50	3-6,8,10	173	4.47	261	6.44	522	11.43
265	6.79	2.80	19.00	1-4	171	1.96	258	2.80	516	5.02
266	6.85	3.65	25.00	2-4	169	2.94	256	4.24	511	7.62
267	7.05	4.75	33.50	3-6,8,10	164	4.19	248	6.04	496	10.76
268	7.17	2.65	19.00	1-4	162	1.78	244	2.54	488	4.55
269	7.44	4.50	33.50	3-4	156	3.91	235	5.64	470	10.07
270	7.46	3.35	25.00	2-4	155	2.60	234	3.74	469	6.72
271	7.60	2.50	19.00	1-3	153	1.60	230	2.29	461	4.07
272	7.94	3.15	25.00	2-4	146	2.37	221	3.40	441	6.11
273	8.09	2.35	19.00	1-2	143	1.42	216	2.03	433	3.59
274	8.13	4.12	33.50	3-4	143	3.48	215	5.02	430	9.00
275	8.33	3.00	25.00	2-4	139	2.19	210	3.14	420	5.65
276	8.64	2.20	19.00	1-2	134	1.24	203	1.76	405	3.11
277	8.93	2.80	25.00	2-4	130	1.96	196	2.80	392	5.03
278	9.18	3.65	33.50	3-4	126	2.94	191	4.24	381	7.62
279	9.43	2.65	25.00	2-4	123	1.78	186	2.54	371	4.55
280	10.00	2.50	25.00	2-3	116	1.60	175	2.29	350	4.07
281	10.00	3.35	33.50	3-4	116	2.60	175	3.74	350	6.72
282	10.63	3.15	33.50	3-4	109	2.37	165	3.40	329	6.11
283	10.64	2.35	25.00	2-2	109	1.42	165	2.03	329	3.59
284	11.17	3.00	33.50	3-4	104	2.19	157	3.14	313	5.65
285	11.36	2.20	25.00	2-2	102	1.25	154	1.76	308	3.11
286	11.96	2.80	33.50	3-4	97	1.96	146	2.80	293	5.03
287	12.64	2.65	33.50	3-4	92	1.78	138	2.54	277	4.55
288	13.40	2.50	33.50	3-3	87	1.60	131	2.29	261	4.08
289	14.26	2.35	33.50	3-2	81	1.42	123	2.03	246	3.59
290	15.23	2.20	33.50	3-2	76	1.25	115	1.76	230	3.11

# 3VX Belts In 3V Sheaves

## Drive Selection Tables

CENTER DISTANCE AND COMBINED ARC-LENGTH CORRECTION FACTOR ▲												
3VX 500	3VX 560	3VX 600	3VX 710	3VX 750	3VX 800	3VX 900	3VX 1000	3VX 1120	3VX 1250	3VX 1320	3VX 1400	LINE #
-	-	-	-	-	-	18.9	24.5	31.0	37.8	41.4	45.5	251
10.4	13.8	15.9	21.7	23.7	26.3	31.4	36.5	42.5	49.1	52.6	56.6	252
-	-	-	-	-	-	-	-	-	28.7	32.6	36.9	253
-	-	-	-	-	-	19.1	24.7	31.1	37.9	41.6	45.7	254
10.5	13.8	16.0	21.8	23.8	26.4	31.5	36.6	42.7	49.2	52.7	56.7	255
■	<b>0.76</b>	<b>0.84</b>	<b>0.88</b>	<b>0.95</b>	<b>0.96</b>	<b>0.98</b>	<b>0.94</b>	<b>1.00</b>	<b>1.04</b>	<b>1.06</b>	<b>1.08</b>	<b>1.10</b> ■
-	-	-	16.0	18.3	21.0	26.3	31.5	37.6	44.3	47.8	51.9	256
-	-	-	-	-	-	-	-	21.3	28.9	32.8	37.2	257
10.6	13.9	16.1	21.9	24.0	26.5	31.6	36.7	42.8	49.3	52.8	56.9	258
-	-	-	16.2	18.4	21.1	26.4	31.6	37.8	44.4	47.9	52.0	259
-	-	-	-	-	-	19.3	24.9	31.4	38.2	41.8	45.9	260
■	<b>0.76</b>	<b>0.84</b>	<b>0.88</b>	<b>0.88</b>	<b>0.91</b>	<b>0.94</b>	<b>0.96</b>	<b>1.01</b>	<b>1.00</b>	<b>1.06</b>	<b>1.08</b>	<b>1.10</b> ■
-	-	-	-	-	-	-	-	21.4	29.1	33.0	37.4	261
-	-	-	16.3	18.5	21.2	26.5	31.7	37.9	44.5	48.1	52.1	262
10.6	14.0	16.2	22.0	24.1	26.6	31.7	36.8	42.9	49.4	52.9	57.0	263
-	-	-	-	-	-	-	-	21.6	29.3	33.2	37.5	264
-	-	-	16.4	18.6	21.3	26.6	31.8	38.0	44.6	48.2	52.3	265
■	<b>0.75</b>	<b>0.84</b>	<b>0.87</b>	<b>0.88</b>	<b>0.91</b>	<b>0.94</b>	<b>0.99</b>	<b>1.03</b>	<b>0.97</b>	<b>1.04</b>	<b>1.06</b>	<b>1.09</b> ■
-	-	-	-	-	-	19.6	25.2	31.7	38.5	42.1	46.3	266
-	-	-	-	-	-	-	-	21.8	29.5	33.4	37.7	267
-	-	-	16.5	18.7	21.4	26.7	32.0	38.1	44.7	48.3	52.4	268
-	-	-	-	-	-	-	-	21.9	29.6	33.5	37.9	269
-	-	-	-	-	-	19.8	25.4	31.9	38.7	42.4	46.5	270
■			<b>0.85</b>	<b>0.88</b>	<b>0.92</b>	<b>0.90</b>	<b>0.97</b>	<b>0.94</b>	<b>1.02</b>	<b>1.05</b>	<b>1.07</b> ■	
-	-	-	16.6	18.8	21.5	26.8	32.1	38.2	44.9	48.4	52.5	271
-	-	-	-	-	-	19.9	25.6	32.0	38.9	42.5	46.6	272
-	-	-	-	-	-	-	-	22.1	29.9	33.8	38.1	273
-	-	-	16.7	18.9	21.6	26.9	32.2	38.3	45.0	48.5	52.6	274
-	-	-	-	-	-	20.0	25.7	32.1	39.0	42.6	46.7	275
■			<b>0.84</b>	<b>0.88</b>	<b>0.92</b>	<b>0.92</b>	<b>0.98</b>	<b>0.99</b>	<b>1.04</b>	<b>1.07</b>	<b>1.09</b> ■	
-	-	-	16.7	19.0	21.7	27.0	32.3	38.4	45.1	48.6	52.7	276
-	-	-	-	-	-	20.1	25.8	32.3	39.1	42.7	46.9	277
-	-	-	-	-	-	-	-	22.4	30.1	34.1	38.4	278
-	-	-	-	-	-	20.2	25.9	32.4	39.2	42.8	47.0	279
-	-	-	-	-	-	-	-	22.6	30.3	34.2	38.6	280
■			<b>0.84</b>	<b>0.88</b>	<b>0.92</b>	<b>0.89</b>	<b>0.96</b>	<b>0.94</b>	<b>1.02</b>	<b>1.04</b>	<b>1.07</b> ■	
-	-	-	-	-	-	20.3	26.0	32.5	39.3	42.9	47.1	281
-	-	-	-	-	-	-	-	22.7	30.5	34.4	38.7	282
-	-	-	-	-	-	20.4	26.1	32.5	39.4	43.0	47.2	283
-	-	-	-	-	-	-	-	22.8	30.5	34.5	38.8	284
-	-	-	-	-	-	20.5	26.2	32.6	39.5	43.1	47.3	285
■						<b>0.85</b>	<b>0.94</b>	<b>0.93</b>	<b>1.01</b>	<b>1.03</b>	<b>1.06</b> ■	
-	-	-	-	-	-	-	-	22.9	30.7	34.6	39.0	286
-	-	-	-	-	-	-	-	23.0	30.8	34.7	39.1	287
-	-	-	-	-	-	-	-	23.1	30.8	34.8	39.1	288
-	-	-	-	-	-	-	-	23.2	30.9	34.9	39.2	289
-	-	-	-	-	-	-	-	23.3	31.0	35.0	39.3	290
■								<b>0.81</b>	<b>0.95</b>	<b>0.99</b>	<b>1.02</b> ■	

▲ Not all available belt lengths are shown.

■ Combined Arc-Length correction factors for 5 preceding lines.



# 5VX & 5V Belts In 5V Sheaves

## Drive Selection Tables

LINE #	RATIO	STOCK SHEAVES			DRIVEN SPEEDS AND HORSEPOWER RATINGS PER BELT								
		Datum Diameter		Number Grooves	1160 RPM			1750 RPM			3500 RPM		
		DR	DN		Driven Speed	H.P. Ratings		Driven Speed	H.P. Ratings		Driven Speed	H.P. Ratings	
						5VX	5V		5VX	5V		5VX	5V
1	1.00	4.40	4.40	2-6	1160	6.22	3.41	1750	8.70	4.36	3500	14.39	4.95
2	1.00	4.65	4.65	2-6	1160	7.03	4.20	1750	9.86	5.49	3500	16.42	6.79
3	1.00	4.90	4.90	2-6	1160	7.83	4.99	1750	11.02	6.61	3500	18.41	8.59
4	1.00	5.20	5.20	2-6	1160	8.78	5.93	1750	12.39	7.94	3500	20.76	10.67
5	1.00	5.50	5.50	2-6	1160	9.73	6.86	1750	13.75	9.25	3500	23.05	12.67
6	1.00	5.90	5.90	2-6	1160	10.99	8.09	1750	15.56	10.98	3500	26.01	15.19
7	1.00	6.30	6.30	2-6	1160	12.24	9.31	1750	17.34	12.69	3500	28.87	17.56
8	1.00	6.70	6.70	2-6	1160	13.48	10.52	1750	19.10	14.36	3500	31.62	19.75
9	1.00	7.10	7.10	2-10	1160	14.71	11.71	1750	20.84	16.01	3500	34.25	21.77
10	1.00	7.50	7.50	2-10	1160	15.93	12.90	1750	22.56	17.62-	-	-	-
11	1.00	8.00	8.00	2-10	1160	17.45	14.36	1750	24.68	19.60-	-	-	-
12	1.00	8.50	8.50	2-10	1160	18.95	15.81	1750	26.77	21.53-	-	-	-
13	1.00	9.00	9.00	2-10	1160	20.44	17.24	1750	28.82	23.41-	-	-	-
14	1.00	9.25	9.25	2-10	1160	21.18	17.94	1750	29.83	24.33-	-	-	-
15	1.00	9.75	9.75	2-10	1160	22.65	19.34	1750	31.83	26.13-	-	-	-
16	1.00	10.30	10.30	2-10	1160	24.25	20.86	1750	33.99	28.04-	-	-	-
17	1.00	10.90	10.90	2-10	1160	25.97	22.49	1750	36.29	30.06-	-	-	-
18	1.00	11.30	11.30	2-10	1160	27.11	23.56	1750	37.79	31.35-	-	-	-
19	1.00	11.80	11.80	2-10	1160	28.52	24.87	1750	39.63	32.91-	-	-	-
20	1.00	12.50	12.50	2-10	1160	30.47	26.68	1750	42.14	34.99-	-	-	-
21	1.00	13.20	13.20	2-10	1160	32.39	28.45	1750	44.56	36.94-	-	-	-
22	1.00	14.00	14.00	2-10	1160	34.55	30.41	1750	47.22	39.00-	-	-	-
23	1.00	15.00	15.00	2-10	1160	37.19	32.78-	-	-	-	-	-	-
24	1.00	16.00	16.00	2-10	1160	39.76	35.05-	-	-	-	-	-	-
25	1.00	18.70	18.70	2-10	1160	46.36	40.66-	-	-	-	-	-	-
26	1.03	9.00	9.25	2-10	1129	20.56	17.39	1703	29.00	23.64-	-	-	-
27	1.04	10.90	11.30	2-10	1119	26.12	22.69	1688	36.52	30.35-	-	-	-
28	1.04	11.30	11.80	2-10	1111	27.29	23.79	1676	38.06	31.70-	-	-	-
29	1.05	4.65	4.90	2-6	1101	7.24	4.48	1661	10.18	5.90	3321	17.06	7.63
30	1.05	9.25	9.75	2-10	1101	21.39	18.22	1660	30.16	24.75-	-	-	-
31	1.06	12.50	13.20	2-10	1098	30.69	26.97	1657	42.47	35.42-	-	-	-
32	1.06	7.10	7.50	2-10	1098	14.93	12.00	1657	21.18	16.44	3313	34.92	22.64
33	1.06	9.75	10.30	2-10	1098	22.87	19.63	1657	32.17	26.56-	-	-	-
34	1.06	4.40	4.65	2-6	1098	6.45	3.70	1656	9.03	4.79	3312	15.06	5.82
35	1.06	5.20	5.50	2-6	1097	9.01	6.22	1655	12.73	8.38	3309	21.44	11.56
36	1.06	10.30	10.90	2-10	1096	24.48	21.16	1654	34.33	28.49-	-	-	-
37	1.06	8.50	9.00	2-10	1096	19.18	16.11	1653	27.12	21.98-	-	-	-
38	1.06	11.80	12.50	2-10	1095	28.75	25.18	1652	39.98	33.36-	-	-	-
39	1.06	6.70	7.10	2-6	1095	13.71	10.82	1651	19.45	14.82	3303	32.32	20.67
40	1.06	13.20	14.00	2-10	1094	32.63	28.76	1650	44.91	37.40-	-	-	-
41	1.06	4.90	5.20	2-6	1093	8.06	5.30	1649	11.37	7.07	3298	19.13	9.52
42	1.06	8.00	8.50	2-10	1092	17.69	14.68	1647	25.05	20.08-	-	-	-
43	1.06	6.30	6.70	2-6	1091	12.49	9.63	1646	17.71	13.17	3291	29.61	18.52
44	1.07	7.50	8.00	2-10	1088	16.19	13.23	1641	22.95	18.13-	-	-	-
45	1.07	15.00	16.00	2-10	1088	37.44	33.11	-	-	-	-	-	-
46	1.07	5.90	6.30	2-6	1086	11.25	8.43	1639	15.95	11.49	3278	26.80	16.21
47	1.07	14.00	15.00	2-10	1083	34.82	30.76	1633	47.63	39.53-	-	-	-
48	1.07	5.50	5.90	2-6	1081	10.01	7.22	1631	14.17	9.79	3263	23.88	13.75
49	1.08	10.90	11.80	2-10	1072	26.28	22.89	1617	36.75	30.65-	-	-	-
50	1.08	9.00	9.75	2-10	1071	20.75	17.64	1615	29.29	24.01	-	-	-

Shaded area diameters are below industry standard for belt.

# 5VX & 5V Belts In 5V Sheaves

## Drive Selection Tables

CENTER DISTANCE AND COMBINED ARC-LENGTH CORRECTION FACTOR ▲																
5VX 500	5VX 530	5VX 560	5VX 630	5VX 710	5VX 750	5VX 800	5VX 900	5VX 1000	5VX 1250	5VX 1400	5VX 1500	5VX 1600	5VX 1800	5VX 1900	5VX 2000	LINE #
18.1	19.6	21.1	24.6	28.6	30.6	33.1	38.1	43.1	55.6	63.1	68.1	73.1	83.1	88.1	93.1	1
17.7	19.2	20.7	24.2	28.2	30.2	32.7	37.7	42.7	55.2	62.7	67.7	72.7	82.7	87.7	92.7	2
17.3	18.8	20.3	23.8	27.8	29.8	32.3	37.3	42.3	54.8	62.3	67.3	72.3	82.3	87.3	92.3	3
16.8	18.3	19.8	23.3	27.3	29.3	31.8	36.8	41.8	54.3	61.8	66.8	71.8	81.8	86.8	91.8	4
16.4	17.9	19.4	22.9	26.9	28.9	31.4	36.4	41.4	53.9	61.4	66.4	71.4	81.4	86.4	91.4	5
■ 0.83	0.84	0.85	0.87	0.90	0.91	0.92	0.94	0.96	1.00	1.02	1.03	1.05	1.07	1.08	1.09	■
15.7	17.2	18.7	22.2	26.2	28.2	30.7	35.7	40.7	53.2	60.7	65.7	70.7	80.7	85.7	90.7	6
15.1	16.6	18.1	21.6	25.6	27.6	30.1	35.1	40.1	52.6	60.1	65.1	70.1	80.1	85.1	90.1	7
14.5	16.0	17.5	21.0	25.0	27.0	29.5	34.5	39.5	52.0	59.5	64.5	69.5	79.5	84.5	89.5	8
13.8	15.3	16.8	20.3	24.3	26.3	28.8	33.8	38.8	51.3	58.8	63.8	68.8	78.8	83.8	88.8	9
13.2	14.7	16.2	19.7	23.7	25.7	28.2	33.2	38.2	50.7	58.2	63.2	68.2	78.2	83.2	88.2	10
■ 0.83	0.84	0.85	0.87	0.90	0.91	0.92	0.94	0.96	1.00	1.02	1.03	1.05	1.07	1.08	1.09	■
12.4	13.9	15.4	18.9	22.9	24.9	27.4	32.4	37.4	49.9	57.4	62.4	67.4	77.4	82.4	87.4	11
11.6	13.1	14.6	18.1	22.1	24.1	26.6	31.6	36.6	49.1	56.6	61.6	66.6	76.6	81.6	86.6	12
-	12.4	13.9	17.4	21.4	23.4	25.9	30.9	35.9	48.4	55.9	60.9	65.9	75.9	80.9	85.9	13
-	12.0	13.5	17.0	21.0	23.0	25.5	30.5	35.5	48.0	55.5	60.5	65.5	75.5	80.5	85.5	14
-	-	12.7	16.2	20.2	22.2	24.7	29.7	34.7	47.2	54.7	59.7	64.7	74.7	79.7	84.7	15
■ 0.83	0.84	0.85	0.87	0.90	0.91	0.92	0.94	0.96	1.00	1.02	1.03	1.05	1.07	1.08	1.09	■
-	-	-	15.3	19.3	21.3	23.8	28.8	33.8	46.3	53.8	58.8	63.8	73.8	78.8	83.8	16
-	-	-	14.4	18.4	20.4	22.9	27.9	32.9	45.4	52.9	57.9	62.9	72.9	77.9	82.9	17
-	-	-	-	17.7	19.7	22.2	27.2	32.2	44.7	52.2	57.2	62.2	72.2	77.2	82.2	18
-	-	-	-	17.0	19.0	21.5	26.5	31.5	44.0	51.5	56.5	61.5	71.5	76.5	81.5	19
-	-	-	-	15.9	17.9	20.4	25.4	30.4	42.9	50.4	55.4	60.4	70.4	75.4	80.4	20
■			0.87	0.90	0.91	0.92	0.94	0.96	1.00	1.02	1.03	1.05	1.07	1.08	1.09	■
-	-	-	-	-	16.8	19.3	24.3	29.3	41.8	49.3	54.3	59.3	69.3	74.3	79.3	21
-	-	-	-	-	-	18.0	23.0	28.0	40.5	48.0	53.0	58.0	68.0	73.0	78.0	22
-	-	-	-	-	-	-	21.4	26.4	38.9	46.4	51.4	56.4	66.4	71.4	76.4	23
-	-	-	-	-	-	-	19.9	24.9	37.4	44.9	49.9	54.9	64.9	69.9	74.9	24
-	-	-	-	-	-	-	-	-	33.1	40.6	45.6	50.6	60.6	65.6	70.6	25
■					0.91	0.92	0.94	0.96	1.00	1.02	1.03	1.05	1.07	1.08	1.09	■
-	12.2	13.7	17.2	21.2	23.2	25.7	30.7	35.7	48.2	55.7	60.7	65.7	75.7	80.7	85.7	26
-	-	-	14.1	18.1	20.1	22.6	27.6	32.6	45.1	52.6	57.6	62.6	72.6	77.6	82.6	27
-	-	-	-	17.4	19.4	21.9	26.9	31.9	44.4	51.9	56.9	61.9	71.9	76.9	81.9	28
17.5	19.0	20.5	24.0	28.0	30.0	32.5	37.5	42.5	55.0	62.5	67.5	72.5	82.5	87.5	92.5	29
-	-	13.1	16.6	20.6	22.6	25.1	30.1	35.1	47.6	55.1	60.1	65.1	75.1	80.1	85.1	30
■ 0.83	0.84	0.85	0.87	0.89	0.90	0.92	0.94	0.96	1.00	1.02	1.03	1.05	1.07	1.08	1.09	■
-	-	-	-	-	17.3	19.8	24.8	29.8	42.3	49.8	54.8	59.8	69.8	74.8	79.8	31
13.5	15.0	16.5	20.0	24.0	26.0	28.5	33.5	38.5	51.0	58.5	63.5	68.5	78.5	83.5	88.5	32
-	-	-	15.8	19.8	21.8	24.3	29.3	34.3	46.8	54.3	59.3	64.3	74.3	79.3	84.3	33
17.9	19.4	20.9	24.4	28.4	30.4	32.9	37.9	42.9	55.4	62.9	67.9	72.9	82.9	87.9	92.9	34
16.6	18.1	19.6	23.1	27.1	29.1	31.6	36.6	41.6	54.1	61.6	66.6	71.6	81.6	86.6	91.6	35
■ 0.83	0.84	0.85	0.87	0.89	0.90	0.92	0.94	0.96	1.00	1.02	1.03	1.04	1.07	1.08	1.09	■
-	-	-	14.8	18.8	20.8	23.3	28.3	33.3	45.8	53.3	58.3	63.3	73.3	78.3	83.3	36
11.3	12.8	14.3	17.8	21.8	23.8	26.3	31.3	36.3	48.8	56.3	61.3	66.3	76.3	81.3	86.3	37
-	-	-	16.4	18.4	20.9	25.9	30.9	35.9	48.4	55.9	60.9	65.9	75.9	80.9	85.9	38
14.2	15.7	17.2	20.7	24.7	26.7	29.2	34.2	39.2	51.7	59.2	64.2	69.2	79.2	84.2	89.2	39
-	-	-	-	16.1	18.6	23.6	28.6	33.6	46.1	53.6	58.6	63.6	73.6	78.6	83.6	40
■ 0.83	0.84	0.85	0.87	0.89	0.90	0.92	0.94	0.96	1.00	1.02	1.03	1.04	1.07	1.08	1.09	■
17.1	18.6	20.1	23.6	27.6	29.6	32.1	37.1	42.1	54.6	62.1	67.1	72.1	82.1	87.1	92.1	41
12.0	13.5	15.0	18.5	22.5	24.5	27.0	32.0	37.0	49.5	57.0	62.0	67.0	77.0	82.0	87.0	42
14.8	16.3	17.8	21.3	25.3	27.3	29.8	34.8	39.8	52.3	59.8	64.8	69.8	79.8	84.8	89.8	43
12.8	14.3	15.8	19.3	23.3	25.3	27.8	32.8	37.8	50.3	57.8	62.8	67.8	77.8	82.8	87.8	44
-	-	-	-	-	-	-	20.6	25.6	38.1	45.6	50.6	55.6	65.6	70.6	75.6	45
■ 0.83	0.84	0.85	0.87	0.89	0.90	0.92	0.94	0.96	1.00	1.02	1.03	1.04	1.07	1.08	1.09	■
15.4	16.9	18.4	21.9	25.9	27.9	30.4	35.4	40.4	52.9	60.4	65.4	70.4	80.4	85.4	90.4	46
-	-	-	-	-	17.2	22.2	27.2	32.2	44.7	52.2	57.2	62.2	72.2	77.2	82.2	47
16.0	17.5	19.0	22.5	26.5	28.5	31.0	36.0	41.0	53.5	61.0	66.0	71.0	81.0	86.0	91.0	48
-	-	-	17.7	19.7	22.2	27.2	32.2	37.2	49.7	57.2	62.2	67.2	77.2	82.2	87.2	49
-	-	13.3	16.8	20.8	22.8	25.3	30.3	35.3	47.8	55.3	60.3	65.3	75.3	80.3	85.3	50
■ 0.83	0.84	0.85	0.87	0.89	0.90	0.92	0.94	0.96	1.00	1.02	1.03	1.04	1.07	1.08	1.09	■

▲ Not all available belt lengths are shown.

■ Combined Arc-Length correction factors for 5 preceding lines.

# 5VX & 5V Belts In 5V Sheaves

## Drive selection tables

LINE #	RATIO	STOCK SHEAVES			DRIVEN SPEEDS AND HORSEPOWER RATINGS PER BELT								
		Datum Diameter		Number Grooves	1160 RPM			1750 RPM			3500 RPM		
		DR	DN		Driven Speed	H.P. Ratings		Driven Speed	H.P. Ratings		Driven Speed	H.P. Ratings	
						5VX	5V		5VX	5V		5VX	5V
51	1.09	8.50	9.25	2-10	1066	19.27	16.23	1608	27.25	22.16	-	-	-
52	1.10	10.30	11.30	2-10	1057	24.59	21.31	1595	34.51	28.73	-	-	-
53	1.11	11.30	12.50	2-10	1049	27.48	24.04	1582	38.35	32.08	-	-	-
54	1.11	9.25	10.30	2-10	1042	21.57	18.45	1572	30.42	25.10	-	-	-
55	1.11	4.40	4.90	2-6	1042	6.61	3.92	1571	9.29	5.12	3143	15.57	6.48
56	1.12	9.75	10.90	2-10	1038	23.05	19.87	1565	32.44	26.92	-	-	-
57	1.12	4.65	5.20	2-6	1037	7.43	4.73	1565	10.47	6.28	3130	17.64	8.38
58	1.12	11.80	13.20	2-10	1037	28.92	25.40	1564	40.24	33.70	-	-	-
59	1.12	6.70	7.50	2-6	1036	13.89	11.04	1563	19.71	15.16	3127	32.84	21.35
60	1.12	12.50	14.00	2-10	1036	30.88	27.21	1563	42.75	35.79	-	-	-
61	1.12	4.90	5.50	2-6	1033	8.24	5.53	1559	11.64	7.42	3118	19.66	10.21
62	1.13	8.00	9.00	2-10	1031	17.87	14.91	1556	25.31	20.42	-	-	-
63	1.13	7.10	8.00	2-10	1030	15.14	12.26	1553	21.48	16.84	3106	35.53	23.43
64	1.13	6.30	7.10	2-6	1029	12.66	9.86	1553	17.98	13.52	3106	30.15	19.22
65	1.13	7.50	8.50	2-10	1024	16.37	13.47	1544	23.22	18.49	-	-	-
66	1.13	18.70	21.20	2-10	1023	46.80	41.23	-	-	-	-	-	-
67	1.13	5.20	5.90	2-6	1022	9.22	6.50	1542	13.06	8.81	3085	22.09	12.40
68	1.14	5.90	6.70	2-6	1021	11.44	8.67	1541	16.23	11.86	3082	27.35	16.94
69	1.14	13.20	15.00	2-10	1021	32.84	29.03	1540	45.23	37.81	-	-	-
70	1.14	14.00	16.00	2-10	1015	35.01	31.01	1531	47.91	39.90	-	-	-
71	1.14	9.00	10.30	2-10	1014	20.91	17.84	1529	29.52	24.32	-	-	-
72	1.15	5.50	6.30	2-6	1013	10.20	7.47	1528	14.46	10.17	3056	24.46	14.50
73	1.15	10.30	11.80	2-10	1013	24.71	21.47	1528	34.69	28.96	-	-	-
74	1.15	10.90	12.50	2-10	1012	26.44	23.10	1526	37.00	30.98	-	-	-
75	1.15	8.50	9.75	2-10	1011	19.42	16.42	1526	27.48	22.45	-	-	-
76	1.16	8.00	9.25	2-10	1003	17.94	15.00	1514	25.42	20.56	-	-	-
77	1.16	9.75	11.30	2-10	1001	23.14	19.99	1510	32.58	27.10	-	-	-
78	1.17	11.30	13.20	2-10	993	27.62	24.23	1498	38.56	32.36	-	-	-
79	1.17	16.00	18.70	2-10	993	40.27	35.72	-	-	-	-	-	-
80	1.18	9.25	10.90	2-10	984	21.71	18.64	1485	30.64	25.38	-	-	-
81	1.18	4.40	5.20	2-6	982	6.76	4.11	1481	9.51	5.42	2962	16.02	7.07
82	1.18	4.65	5.50	2-6	981	7.57	4.91	1480	10.68	6.55	2959	18.05	8.92
83	1.19	11.80	14.00	2-10	978	29.07	25.59	1475	40.46	33.99	-	-	-
84	1.19	6.30	7.50	2-6	974	12.80	10.03	1470	18.18	13.78	2940	30.55	19.74
85	1.19	6.70	8.00	2-6	971	14.04	11.25	1466	19.95	15.46	2931	33.31	21.96
86	1.20	7.10	8.50	2-10	969	15.28	12.45	1462	21.70	17.12	2924	35.96	24.00
87	1.20	7.50	9.00	2-10	967	16.51	13.64	1458	23.42	18.75	-	-	-
88	1.20	12.50	15.00	2-10	967	31.04	27.43	1458	43.00	36.11	-	-	-
89	1.20	5.90	7.10	2-6	964	11.57	8.84	1454	16.43	12.12	2908	27.76	17.46
90	1.20	4.90	5.90	2-6	963	8.41	5.74	1453	11.89	7.74	2907	20.16	10.86
91	1.21	9.75	11.80	2-10	958	23.24	20.11	1446	32.72	27.28	-	-	-
92	1.21	10.90	13.20	2-10	958	26.56	23.26	1445	37.18	31.21	-	-	-
93	1.21	9.00	10.90	2-10	958	21.03	18.01	1445	29.71	24.57	-	-	-
94	1.21	5.20	6.30	2-6	957	9.37	6.70	1444	13.28	9.10	2889	22.54	12.99
95	1.21	8.50	10.30	2-10	957	19.54	16.58	1444	27.66	22.69	-	-	-
96	1.21	13.20	16.00	2-10	957	32.98	29.22	1444	45.45	38.10	-	-	-
97	1.21	10.30	12.50	2-10	956	24.84	21.63	1442	34.89	29.21	-	-	-
98	1.22	5.50	6.70	2-6	952	10.33	7.64	1437	14.66	10.43	2873	24.86	15.03
99	1.22	8.00	9.75	2-10	952	18.05	15.15	1436	25.59	20.78	-	-	-
100	1.22	9.25	11.30	2-10	950	21.79	18.73	1433	30.75	25.52	-	-	-

Shaded area diameters are below industry standard for belt.

# 5VX & 5V Belts In 5V Sheaves

## Drive selection tables

CENTER DISTANCE AND COMBINED ARC-LENGTH CORRECTION FACTOR ▲																
5VX 530	5VX 560	5VX 630	5VX 710	5VX 750	5VX 800	5VX 900	5VX 1000	5VX 1250	5VX 1400	5VX 1500	5VX 1600	5VX 1800	5VX 1900	5VX 2000	5V 2120	LINE #
12.6	14.1	17.6	21.6	23.6	26.1	31.1	36.1	48.6	56.1	61.1	66.1	76.1	81.1	86.1	92.1	51
-	-	14.5	18.5	20.5	23.0	28.0	33.0	45.5	53.0	58.0	63.0	73.0	78.0	83.0	89.0	52
-	-	-	16.8	18.8	21.3	26.3	31.3	43.8	51.3	56.3	61.3	71.3	76.3	81.3	87.3	53
-	12.6	16.1	20.1	22.1	24.6	29.6	34.6	47.1	54.6	59.6	64.6	74.6	79.6	84.6	90.6	54
19.2	20.7	24.2	28.2	30.2	32.7	37.7	42.7	55.2	62.7	67.7	72.7	82.7	87.7	92.7	98.7	55
■ 0.84	0.85	0.87	0.89	0.90	0.91	0.94	0.96	1.00	1.02	1.03	1.04	1.07	1.08	1.09	1.10	■
-	-	15.3	19.3	21.3	23.8	28.8	33.8	46.3	53.8	58.8	63.8	73.8	78.8	83.8	89.8	56
18.8	20.3	23.8	27.8	29.8	32.3	37.3	42.3	54.8	62.3	67.3	72.3	82.3	87.3	92.3	98.3	57
-	-	-	15.8	17.9	20.4	25.4	30.4	42.9	50.4	55.4	60.4	70.4	75.4	80.4	86.4	58
15.3	16.8	20.3	24.3	26.3	28.8	33.8	38.8	51.3	58.8	63.8	68.8	78.8	83.8	88.8	94.8	59
-	-	-	-	16.7	19.2	24.2	29.2	41.7	49.2	54.2	59.2	69.2	74.2	79.2	85.2	60
■ 0.84	0.85	0.87	0.89	0.90	0.91	0.93	0.95	1.00	1.02	1.03	1.04	1.07	1.08	1.09	1.10	■
18.3	19.8	23.3	27.3	29.3	31.8	36.8	41.8	54.3	61.8	66.8	71.8	81.8	86.8	91.8	97.8	61
13.1	14.6	18.1	22.1	24.1	26.6	31.6	36.6	49.1	56.6	61.6	66.6	76.6	81.6	86.6	92.6	62
14.6	16.1	19.6	23.6	25.6	28.1	33.1	38.1	50.6	58.1	63.1	68.1	78.1	83.1	88.1	94.1	63
16.0	17.5	21.0	25.0	27.0	29.5	34.5	39.5	52.0	59.5	64.5	69.5	79.5	84.5	89.5	95.5	64
13.9	15.4	18.9	22.9	24.9	27.4	32.4	37.4	49.9	57.4	62.4	67.4	77.4	82.4	87.4	93.4	65
■ 0.84	0.85	0.87	0.89	0.90	0.91	0.94	0.96	1.00	1.02	1.03	1.04	1.07	1.08	1.09	1.10	■
-	-	-	-	-	-	-	-	31.1	38.6	43.6	48.6	58.6	63.7	68.7	74.7	66
17.8	19.3	22.8	26.8	28.8	31.3	36.3	41.3	53.8	61.3	66.3	71.3	81.3	86.3	91.3	97.3	67
16.6	18.1	21.6	25.6	27.6	30.1	35.1	40.1	52.6	60.1	65.1	70.1	80.1	85.1	90.1	96.1	68
-	-	-	-	-	-	17.8	22.8	27.8	40.3	47.8	52.8	62.8	67.8	72.8	78.8	69
-	-	-	-	-	-	-	21.4	26.4	38.9	46.4	51.4	61.4	66.4	71.4	76.4	70
■ 0.84	0.85	0.87	0.89	0.90	0.91	0.93	0.95	0.99	1.02	1.03	1.04	1.06	1.07	1.08	1.10	■
-	12.8	16.3	20.3	22.3	24.8	29.8	34.8	47.3	54.8	59.8	64.8	74.8	79.8	84.8	90.8	71
17.2	18.7	22.2	26.2	28.2	30.7	35.7	40.7	53.2	60.7	65.7	70.7	80.7	85.7	90.7	96.7	72
-	-	14.1	18.1	20.1	22.6	27.6	32.6	45.1	52.6	57.6	62.6	72.6	77.6	82.6	88.6	73
-	-	-	17.1	19.1	21.6	26.6	31.6	44.1	51.6	56.6	61.6	71.6	76.6	81.6	87.6	74
12.2	13.7	17.2	21.2	23.2	25.7	30.7	35.7	48.2	55.7	60.7	65.7	75.7	80.7	85.7	91.7	75
■ 0.83	0.84	0.87	0.89	0.90	0.91	0.93	0.95	1.00	1.02	1.03	1.04	1.07	1.08	1.08	1.10	■
12.9	14.4	17.9	21.9	23.9	26.4	31.4	36.4	48.9	56.4	61.4	66.4	76.4	81.4	86.4	92.4	76
-	-	14.9	19.0	21.0	23.5	28.5	33.5	46.0	53.5	58.5	63.5	73.5	78.5	83.5	89.5	77
-	-	-	16.2	18.2	20.7	25.7	30.7	43.2	50.7	55.7	60.7	70.7	75.7	80.7	86.7	78
-	-	-	-	-	-	-	-	22.7	35.2	42.7	47.7	57.7	62.7	67.7	73.7	79
-	-	15.7	19.7	21.7	24.2	29.2	34.2	46.7	54.2	59.2	64.2	74.2	79.2	84.2	90.2	80
■ 0.83	0.84	0.86	0.89	0.90	0.91	0.93	0.95	0.99	1.02	1.03	1.04	1.06	1.07	1.08	1.09	■
19.0	20.5	24.0	28.0	30.0	32.5	37.5	42.5	55.0	62.5	67.5	72.5	82.5	87.5	92.5	98.5	81
18.5	20.0	23.5	27.5	29.5	32.0	37.0	42.0	54.5	62.0	67.0	72.0	82.0	87.0	92.0	98.0	82
-	-	-	-	17.2	19.7	24.7	29.7	42.2	49.7	54.7	59.7	69.7	74.7	79.7	85.7	83
15.6	17.2	20.7	24.7	26.7	29.2	34.2	39.2	51.7	59.2	64.2	69.2	79.2	84.2	89.2	95.2	84
14.9	16.4	19.9	23.9	25.9	28.4	33.4	38.4	50.9	58.4	63.4	68.4	78.4	83.4	88.4	94.4	85
■ 0.83	0.85	0.87	0.89	0.90	0.91	0.93	0.95	1.00	1.02	1.03	1.04	1.07	1.08	1.08	1.10	■
14.2	15.7	19.2	23.2	25.2	27.7	32.7	37.7	50.2	57.7	62.7	67.7	77.7	82.7	87.7	93.7	86
13.5	15.0	18.5	22.5	24.5	27.0	32.0	37.0	49.5	57.0	62.0	67.0	77.0	82.0	87.0	93.0	87
-	-	-	-	-	18.4	23.4	28.4	40.9	48.4	53.4	58.4	68.4	73.4	78.4	84.4	88
16.3	17.8	21.3	25.3	27.3	29.8	34.8	39.8	52.3	59.8	64.8	69.8	79.8	84.8	89.8	95.8	89
18.0	19.5	23.0	27.0	29.0	31.5	36.5	41.5	54.0	61.5	66.5	71.5	81.5	86.5	91.5	97.5	90
■ 0.83	0.84	0.87	0.89	0.90	0.91	0.93	0.95	1.00	1.02	1.03	1.04	1.06	1.07	1.08	1.10	■
-	-	14.5	18.5	20.5	23.1	28.1	33.1	45.6	53.1	58.1	63.1	73.1	78.1	83.1	89.1	91
-	-	-	16.5	18.5	21.0	26.0	31.0	43.5	51.0	56.0	61.0	71.0	76.0	81.0	87.0	92
-	-	15.8	19.8	21.8	24.4	29.4	34.4	46.9	54.4	59.4	64.4	74.4	79.4	84.4	90.4	93
17.5	19.0	22.5	26.5	28.5	31.0	36.0	41.0	53.5	61.0	66.0	71.0	81.0	86.0	91.0	97.0	94
-	13.2	16.7	20.7	22.7	25.2	30.2	35.2	47.7	55.2	60.2	65.2	75.2	80.2	85.2	91.2	95
■ 0.83	0.84	0.86	0.88	0.90	0.91	0.93	0.95	1.00	1.02	1.03	1.04	1.06	1.07	1.08	1.09	■
-	-	-	-	-	-	22.0	27.0	39.5	47.0	52.0	57.0	67.1	72.1	77.1	83.1	96
-	-	-	17.6	19.6	22.1	27.1	32.1	44.6	52.1	57.1	62.1	72.1	77.1	82.1	88.1	97
16.9	18.4	21.9	25.9	27.9	30.4	35.4	40.4	52.9	60.4	65.4	70.4	80.4	85.4	90.4	96.4	98
12.5	14.0	17.5	21.5	23.5	26.0	31.0	36.0	48.5	56.0	61.0	66.0	76.0	81.0	86.0	92.0	99
-	-	15.3	19.3	21.3	23.8	28.8	33.8	46.3	53.8	58.8	63.8	73.8	78.8	83.8	89.8	100
■ 0.83	0.84	0.86	0.88	0.90	0.91	0.93	0.95	0.99	1.02	1.03	1.04	1.06	1.07	1.08	1.09	■

▲ Not all available belt lengths are shown.

■ Combined Arc-Length correction factors for 5 preceding lines.

# 5VX & 5V Belts In 5V Sheaves

## Drive selection tables

LINE #	RATIO	STOCK SHEAVES			DRIVEN SPEEDS AND HORSEPOWER RATINGS PER BELT								
		Datum Diameter		Number Grooves	1160 RPM			1750 RPM			3500 RPM		
		DR	DN		Driven Speed	H.P. Ratings		Driven Speed	H.P. Ratings		Driven Speed	H.P. Ratings	
						5VX	5V		5VX	5V		5VX	5V
101	1.23	7.50	9.25	2-10	941	16.56	13.71	1419	23.50	18.85	-	-	-
102	1.24	11.30	14.00	2-10	936	27.74	24.38	1413	38.74	32.59	-	-	-
103	1.25	15.00	18.70	2-10	930	37.83	33.62	-	-	-	-	-	-
104	1.25	4.40	5.50	2-6	928	6.87	4.25	1400	9.67	5.63	2800	16.34	7.49
105	1.26	9.00	11.30	2-10	924	21.10	18.09	1394	29.81	24.69	-	-	-
106	1.26	18.70	23.60	2-10	919	47.02	41.52	-	-	-	-	-	-
107	1.27	7.10	9.00	2-10	915	15.38	12.58	1381	21.85	17.32	2761	36.27	24.40
108	1.27	6.70	8.50	2-6	914	14.15	11.39	1379	20.11	15.68	2759	33.64	22.39
109	1.27	4.65	5.90	2-6	914	7.70	5.08	1379	10.87	6.80	2758	18.44	9.43
110	1.27	6.30	8.00	2-6	914	12.91	10.18	1378	18.35	14.01	2756	30.90	20.20
111	1.27	5.90	7.50	2-6	913	11.66	8.97	1377	16.57	12.31	2753	28.05	17.84
112	1.27	11.80	15.00	2-10	913	29.19	25.75	1377	40.65	34.23	-	-	-
113	1.28	9.25	11.80	2-10	909	21.86	18.83	1372	30.86	25.66	-	-	-
114	1.28	12.50	16.00	2-10	906	31.15	27.57	1367	43.17	36.33	-	-	-
115	1.28	10.30	13.20	2-10	905	24.93	21.75	1366	35.02	29.39	-	-	-
116	1.28	9.75	12.50	2-10	905	23.34	20.24	1365	32.87	27.48	-	-	-
117	1.28	8.50	10.90	2-10	905	19.64	16.70	1365	27.81	22.88	-	-	-
118	1.28	10.90	14.00	2-10	903	26.66	23.39	1363	37.33	31.41	-	-	-
119	1.29	4.90	6.30	2-6	902	8.52	5.89	1361	12.06	7.96	2722	20.50	11.30
120	1.29	8.00	10.30	2-10	901	18.14	15.27	1359	25.73	20.96	-	-	-
121	1.29	5.20	6.70	2-6	900	9.48	6.83	1358	13.44	9.30	2716	22.85	13.39
122	1.29	5.50	7.10	2-6	899	10.43	7.76	1356	14.81	10.62	2711	25.15	15.40
123	1.30	7.50	9.75	2-10	892	16.64	13.82	1346	23.63	19.01	-	-	-
124	1.30	7.10	9.25	2-10	890	15.42	12.64	1343	21.91	17.40	2686	36.39	24.56
125	1.31	9.00	11.80	2-10	885	21.16	18.17	1335	29.91	24.82	-	-	-
126	1.33	16.00	21.20	2-10	875	40.49	36.01	-	-	-	-	-	-
127	1.33	11.30	15.00	2-10	874	27.85	24.51	1318	38.90	32.79	-	-	-
128	1.33	8.50	11.30	2-10	873	19.69	16.77	1316	27.88	22.98	-	-	-
129	1.34	14.00	18.70	2-10	868	35.29	31.38	1310	48.34	40.46	-	-	-
130	1.34	4.40	5.90	2-6	865	6.97	4.38	1305	9.83	5.82	2610	16.64	7.88
131	1.34	6.70	9.00	2-6	864	14.23	11.49	1303	20.23	15.83	2606	33.88	22.70
132	1.35	6.30	8.50	2-6	860	12.99	10.29	1297	18.48	14.17	2594	31.15	20.52
133	1.35	9.25	12.50	2-10	858	21.94	18.93	1295	30.98	25.81	-	-	-
134	1.35	9.75	13.20	2-10	857	23.41	20.33	1293	32.98	27.62	-	-	-
135	1.35	4.65	6.30	2-6	856	7.79	5.19	1292	11.01	6.98	2583	18.71	9.78
136	1.36	5.90	8.00	2-6	856	11.75	9.08	1291	16.70	12.48	2581	28.31	18.18
137	1.36	11.80	16.00	2-10	856	29.28	25.86	1291	40.78	34.40	-	-	-
138	1.36	10.30	14.00	2-10	853	25.01	21.85	1288	35.14	29.54	-	-	-
139	1.36	8.00	10.90	2-10	851	18.22	15.36	1284	25.84	21.10	-	-	-
140	1.36	5.50	7.50	2-6	851	10.50	7.86	1283	14.91	10.76	2567	25.36	15.68
141	1.37	5.20	7.10	2-6	850	9.55	6.93	1282	13.55	9.45	2563	23.08	13.68
142	1.37	4.90	6.70	2-6	848	8.60	5.99	1280	12.18	8.12	2560	20.74	11.61
143	1.37	7.10	9.75	2-10	845	15.49	12.72	1274	22.01	17.53	2549	36.58	24.81
144	1.37	7.50	10.30	2-10	845	16.71	13.91	1274	23.73	19.14	-	-	-
145	1.38	10.90	15.00	2-10	843	26.75	23.50	1272	37.46	31.58	-	-	-
146	1.38	6.70	9.25	2-6	840	14.26	11.53	1268	20.28	15.89	2535	33.97	22.82
147	1.39	8.50	11.80	2-10	836	19.74	16.83	1261	27.95	23.07	-	-	-
148	1.39	9.00	12.50	2-10	835	21.23	18.26	1260	30.01	24.95	-	-	-
149	1.41	8.00	11.30	2-10	821	18.25	15.41	1239	25.89	21.18	-	-	-
150	1.41	15.00	21.20	2-10	821	37.99	33.83	-	-	-	-	-	-

Shaded area diameters are below industry standard for belt.

# 5VX & 5V Belts In 5V Sheaves

## Drive selection tables

CENTER DISTANCE AND COMBINED ARC-LENGTH CORRECTION FACTOR ▲																
5VX 500	5VX 530	5VX 560	5VX 630	5VX 710	5VX 750	5VX 800	5VX 900	5VX 1000	5VX 1250	5VX 1400	5VX 1500	5VX 1600	5VX 1800	5VX 1900	5VX 2000	LINE #
11.8	13.3	14.8	18.3	22.3	24.3	26.8	31.8	36.8	49.3	56.8	61.8	66.8	76.8	81.8	86.8	101
-	-	-	-	15.6	17.6	20.1	25.1	30.1	42.6	50.1	55.1	60.1	70.1	75.1	80.1	102
-	-	-	-	-	-	-	-	-	23.5	36.0	43.5	48.5	53.5	63.5	68.5	103
17.2	18.7	20.2	23.7	27.7	29.7	32.2	37.2	42.2	54.7	62.2	67.2	72.2	82.2	87.2	92.2	104
-	-	-	15.5	19.5	21.5	24.0	29.0	34.0	46.5	54.0	59.0	64.0	74.0	79.0	84.0	105
■ 0.82	■ 0.83	■ 0.84	■ 0.86	■ 0.88	■ 0.89	■ 0.91	■ 0.93	■ 0.95	■ 0.99	■ 1.01	■ 1.03	■ 1.04	■ 1.06	■ 1.07	■ 1.08	■
-	-	-	-	-	-	-	-	-	29.2	36.7	41.7	46.7	56.7	61.7	66.7	106
12.3	13.8	15.3	18.8	22.8	24.8	27.3	32.3	37.3	49.8	57.3	62.3	67.3	77.3	82.3	87.3	107
13.0	14.5	16.0	19.5	23.5	25.5	28.0	33.0	38.1	50.6	58.1	63.1	68.1	78.1	83.1	88.1	108
16.7	18.2	19.7	23.2	27.2	29.2	31.7	36.7	41.7	54.2	61.7	66.7	71.7	81.7	86.7	91.7	109
13.7	15.2	16.7	20.3	24.3	26.3	28.8	33.8	38.8	51.3	58.8	63.8	68.8	78.8	83.8	88.8	110
■ 0.82	■ 0.83	■ 0.84	■ 0.86	■ 0.89	■ 0.90	■ 0.91	■ 0.93	■ 0.95	■ 0.99	■ 1.01	■ 1.03	■ 1.04	■ 1.06	■ 1.07	■ 1.08	■
14.5	16.0	17.5	21.0	25.0	27.0	29.5	34.5	39.5	52.0	59.5	64.5	69.5	79.5	84.5	89.5	111
-	-	-	-	-	16.4	18.9	23.9	28.9	41.4	48.9	53.9	58.9	68.9	73.9	78.9	112
-	-	-	14.9	18.9	20.9	23.4	28.4	33.4	45.9	53.5	58.5	63.5	73.5	78.5	83.5	113
-	-	-	-	-	-	17.5	22.5	27.6	40.1	47.6	52.6	57.6	67.6	72.6	77.6	114
-	-	-	-	17.0	19.0	21.5	26.5	31.5	44.0	51.5	56.5	61.5	71.5	76.5	81.5	115
■ 0.82	■ 0.83	■ 0.84	■ 0.86	■ 0.88	■ 0.89	■ 0.90	■ 0.93	■ 0.95	■ 0.99	■ 1.01	■ 1.03	■ 1.04	■ 1.06	■ 1.07	■ 1.08	■
-	-	-	14.0	18.0	20.0	22.5	27.5	32.5	45.0	52.5	57.5	62.5	72.5	77.5	82.5	116
-	-	12.7	16.2	20.2	22.2	24.7	29.7	34.7	47.2	54.8	59.8	64.8	74.8	79.8	84.8	117
-	-	-	-	15.9	17.9	20.4	25.4	30.4	42.9	50.4	55.4	60.4	70.4	75.4	80.4	118
16.2	17.7	19.2	22.7	26.7	28.7	31.2	36.2	41.2	53.7	61.2	66.2	71.2	81.2	86.2	91.2	119
-	12.1	13.6	17.1	21.1	23.1	25.6	30.6	35.6	48.1	55.6	60.6	65.6	75.6	80.6	85.6	120
■ 0.82	■ 0.83	■ 0.84	■ 0.86	■ 0.88	■ 0.89	■ 0.91	■ 0.93	■ 0.95	■ 0.99	■ 1.02	■ 1.03	■ 1.04	■ 1.06	■ 1.07	■ 1.08	■
15.6	17.1	18.6	22.1	26.1	28.1	30.6	35.6	40.6	53.1	60.6	65.6	70.6	80.7	85.7	90.7	121
15.1	16.6	18.1	21.6	25.6	27.6	30.1	35.1	40.1	52.6	60.1	65.1	70.1	80.1	85.1	90.1	122
11.4	12.9	14.4	17.9	21.9	23.9	26.4	31.4	36.4	48.9	56.4	61.4	66.4	76.4	81.4	86.4	123
12.1	13.6	15.1	18.6	22.6	24.6	27.1	32.1	37.1	49.6	57.1	62.1	67.2	77.2	82.2	87.2	124
-	-	-	15.1	19.1	21.1	23.6	28.6	33.6	46.1	53.6	58.6	63.6	73.7	78.7	83.7	125
■ 0.81	■ 0.83	■ 0.84	■ 0.86	■ 0.88	■ 0.90	■ 0.91	■ 0.93	■ 0.95	■ 0.99	■ 1.02	■ 1.03	■ 1.04	■ 1.06	■ 1.07	■ 1.08	■
-	-	-	-	-	-	-	-	-	33.2	40.7	45.7	50.7	60.7	65.7	70.7	126
-	-	-	-	-	16.7	19.3	24.3	29.3	41.8	49.3	54.3	59.3	69.3	74.3	79.3	127
-	-	-	15.9	19.9	21.9	24.4	29.4	34.4	46.9	54.4	59.4	64.4	74.4	79.4	84.4	128
-	-	-	-	-	-	19.2	24.2	29.2	36.7	44.3	49.3	54.3	64.3	69.3	74.3	129
16.9	18.4	19.9	23.4	27.4	29.4	31.9	36.9	41.9	54.4	61.9	66.9	71.9	81.9	86.9	91.9	130
■ 0.82	■ 0.83	■ 0.84	■ 0.86	■ 0.88	■ 0.89	■ 0.90	■ 0.92	■ 0.94	■ 0.99	■ 1.01	■ 1.02	■ 1.04	■ 1.06	■ 1.07	■ 1.08	■
12.6	14.1	15.6	19.1	23.1	25.1	27.6	32.6	37.7	50.2	57.7	62.7	67.7	77.7	82.7	87.7	131
13.3	14.8	16.3	19.8	23.9	25.9	28.4	33.4	38.4	50.9	58.4	63.4	68.4	78.4	83.4	88.4	132
-	-	-	14.3	18.3	20.4	22.9	27.9	32.9	45.4	52.9	57.9	62.9	72.9	77.9	82.9	133
-	-	-	-	17.4	19.4	21.9	26.9	31.9	44.4	51.9	56.9	62.0	72.0	77.0	82.0	134
16.4	17.9	19.4	22.9	26.9	28.9	31.4	36.4	41.4	53.9	61.4	66.4	71.4	81.4	86.4	91.4	135
■ 0.81	■ 0.83	■ 0.84	■ 0.86	■ 0.88	■ 0.89	■ 0.91	■ 0.93	■ 0.95	■ 0.99	■ 1.01	■ 1.03	■ 1.04	■ 1.06	■ 1.07	■ 1.08	■
14.0	15.5	17.1	20.6	24.6	26.6	29.1	34.1	39.1	51.6	59.1	64.1	69.1	79.1	84.1	89.1	136
-	-	-	-	-	-	18.0	23.1	28.1	40.6	48.1	53.1	58.1	68.1	73.1	78.1	137
-	-	-	-	16.3	18.3	20.8	25.8	30.9	43.4	50.9	55.9	60.9	70.9	75.9	80.9	138
-	-	13.1	16.6	20.6	22.6	25.1	30.1	35.1	47.6	55.1	60.1	65.1	75.1	80.1	85.1	139
14.8	16.3	17.8	21.3	25.3	27.3	29.8	34.8	39.8	52.3	59.8	64.8	69.8	79.8	84.8	89.8	140
■ 0.81	■ 0.83	■ 0.83	■ 0.86	■ 0.88	■ 0.89	■ 0.90	■ 0.93	■ 0.95	■ 0.99	■ 1.01	■ 1.03	■ 1.04	■ 1.06	■ 1.07	■ 1.08	■
15.3	16.8	18.3	21.8	25.8	27.8	30.3	35.3	40.3	52.8	60.3	65.3	70.3	80.3	85.3	90.3	141
15.9	17.4	18.9	22.4	26.4	28.4	30.9	35.9	40.9	53.4	60.9	65.9	70.9	80.9	85.9	90.9	142
11.7	13.2	14.7	18.2	22.2	24.2	26.7	31.7	36.7	49.2	56.8	61.8	66.8	76.8	81.8	86.8	143
-	12.4	13.9	17.5	21.5	23.5	26.0	31.0	36.0	48.5	56.0	61.0	66.0	76.0	81.0	86.0	144
-	-	-	-	-	17.0	19.6	24.6	29.6	42.1	49.6	54.6	59.6	69.6	74.6	79.6	145
■ 0.81	■ 0.82	■ 0.84	■ 0.86	■ 0.88	■ 0.89	■ 0.90	■ 0.93	■ 0.95	■ 0.99	■ 1.01	■ 1.03	■ 1.04	■ 1.06	■ 1.07	■ 1.08	■
12.4	13.9	15.4	18.9	22.9	24.9	27.4	32.4	37.5	50.0	57.5	62.5	67.5	77.5	82.5	87.5	146
-	-	-	15.5	19.5	21.5	24.0	29.0	34.0	46.5	54.0	59.0	64.0	74.0	79.0	84.0	147
-	-	-	14.5	18.5	20.5	23.0	28.1	33.1	45.6	53.1	58.1	63.1	73.1	78.1	83.1	148
-	-	12.7	16.3	20.3	22.3	24.8	29.8	34.8	47.3	54.8	59.8	64.8	74.8	79.8	84.8	149
-	-	-	-	-	-	-	-	21.3	33.9	41.5	46.5	51.5	61.5	66.5	71.5	150
■ 0.81	■ 0.82	■ 0.83	■ 0.85	■ 0.88	■ 0.89	■ 0.90	■ 0.93	■ 0.94	■ 0.99	■ 1.01	■ 1.02	■ 1.04	■ 1.06	■ 1.07	■ 1.08	■

▲ Not all available belt lengths are shown.

■ Combined Arc-Length correction factors for 5 preceding lines.



# 5VX & 5V Belts In 5V Sheaves

## Drive selection tables

LINE #	RATIO	STOCK SHEAVES			DRIVEN SPEEDS AND HORSEPOWER RATINGS PER BELT								
		Datum Diameter		Number Grooves	1160 RPM			1750 RPM			3500 RPM		
		DR	DN		Driven Speed	H.P. Ratings		Driven Speed	H.P. Ratings		Driven Speed	H.P. Ratings	
						5VX	5V		5VX	5V		5VX	5V
151	1.42	11.30	16.00	2-10	819	27.92	24.60	1236	39.00	32.93-	-	-	-
152	1.42	13.20	18.70	2-10	819	33.20	29.50	1235	45.77	38.52-	-	-	-
153	1.43	9.25	13.20	2-10	813	21.99	19.00	1226	31.06	25.92-	-	-	-
154	1.43	6.30	9.00	2-6	812	13.05	10.37	1225	18.57	14.28	2450	31.32	20.75
155	1.43	4.40	6.30	2-6	810	7.04	4.47	1222	9.93	5.96	2444	16.85	8.15
156	1.44	9.75	14.00	2-10	808	23.47	20.41	1219	33.07	27.73-	-	-	-
157	1.44	5.90	8.50	2-6	805	11.81	9.16	1215	16.80	12.59	2429	28.49	18.42
158	1.44	4.65	6.70	2-6	805	7.85	5.27	1215	11.10	7.10	2429	18.90	10.02
159	1.44	5.20	7.50	2-6	804	9.60	7.00	1213	13.63	9.55	2427	23.24	13.90
160	1.45	4.90	7.10	2-6	801	8.65	6.06	1208	12.26	8.23	2415	20.91	11.83
161	1.45	7.10	10.30	2-10	800	15.54	12.79	1206	22.09	17.63	2413	36.74	25.02
162	1.45	7.50	10.90	2-10	798	16.76	13.98	1204	23.81	19.25-	-	-	-
163	1.45	5.50	8.00	2-6	798	10.56	7.94	1203	15.01	10.88	2406	25.55	15.92
164	1.46	6.70	9.75	2-6	797	14.31	11.60	1203	20.35	15.99	2405	34.12	23.01
165	1.46	10.30	15.00	2-10	797	25.08	21.94	1202	35.24	29.67-	-	-	-
166	1.47	9.00	13.20	2-10	791	21.28	18.32	1193	30.08	25.05-	-	-	-
167	1.47	10.90	16.00	2-10	790	26.81	23.58	1192	37.55	31.70-	-	-	-
168	1.47	6.30	9.25	2-6	790	13.08	10.40	1192	18.60	14.33	2384	31.39	20.84
169	1.47	8.50	12.50	2-10	789	19.79	16.90	1190	28.03	23.18-	-	-	-
170	1.48	8.00	11.80	2-10	786	18.29	15.46	1186	25.95	21.25-	-	-	-
171	1.48	16.00	23.60	2-10	786	40.60	36.15-	-	-	-	-	-	-
172	1.50	12.50	18.70	2-10	775	31.32	27.79	1170	43.42	36.66-	-	-	-
173	1.50	18.70	28.00	2-10	775	47.21	41.77-	-	-	-	-	-	-
174	1.51	7.50	11.30	2-10	770	16.79	14.01	1162	23.85	19.30-	-	-	-
175	1.51	9.25	14.00	2-10	766	22.04	19.06	1156	31.13	26.02-	-	-	-
176	1.51	14.00	21.20	2-10	766	35.41	31.53	1156	48.51	40.69-	-	-	-
177	1.52	4.40	6.70	2-6	762	7.09	4.53	1149	10.00	6.05	2299	16.99	8.34
178	1.53	5.90	9.00	2-6	760	11.86	9.21	1147	16.86	12.68	2294	28.62	18.59
179	1.53	4.65	7.10	2-6	760	7.89	5.33	1146	11.17	7.18	2292	19.03	10.19
180	1.53	4.90	7.50	2-6	758	8.69	6.12	1143	12.32	8.31	2287	21.03	11.99
181	1.54	7.10	10.90	2-10	756	15.58	12.84	1140	22.15	17.71	2280	36.87	25.18
182	1.54	6.70	10.30	2-6	755	14.35	11.65	1138	20.41	16.07	2277	34.24	23.17
183	1.54	5.20	8.00	2-6	754	9.65	7.06	1138	13.70	9.64	2275	23.38	14.08
184	1.54	9.75	15.00	2-10	754	23.52	20.48	1138	33.15	27.84-	-	-	-
185	1.55	5.50	8.50	2-6	751	10.61	7.99	1132	15.07	10.97	2265	25.68	16.09
186	1.55	6.30	9.75	2-6	750	13.11	10.45	1131	18.66	14.40	2262	31.51	20.99
187	1.55	8.50	13.20	2-10	747	19.83	16.95	1127	28.09	23.25-	-	-	-
188	1.55	10.30	16.00	2-10	747	25.12	22.00	1127	35.31	29.76-	-	-	-
189	1.56	9.00	14.00	2-10	746	21.32	18.38	1125	30.14	25.13-	-	-	-
190	1.56	8.00	12.50	2-10	742	18.33	15.51	1120	26.01	21.33-	-	-	-
191	1.57	5.90	9.25	2-6	740	11.87	9.24	1116	16.89	12.71	2232	28.67	18.65
192	1.57	7.50	11.80	2-10	737	16.82	14.05	1112	23.89	19.36-	-	-	-
193	1.57	15.00	23.60	2-10	737	38.07	33.93-	-	-	-	-	-	-
194	1.58	11.80	18.70	2-10	732	29.41	26.03	1104	40.97	34.65-	-	-	-
195	1.59	7.10	11.30	2-10	729	15.60	12.87	1100	22.18	17.75	2199	36.93	25.26
196	1.61	13.20	21.20	2-10	722	33.28	29.61	1090	45.91	38.70-	-	-	-
197	1.61	4.65	7.50	2-6	719	7.92	5.37	1085	11.21	7.25	2170	19.13	10.32
198	1.61	4.40	7.10	2-6	719	7.12	4.58	1085	10.05	6.12	2169	17.10	8.47
199	1.62	9.25	15.00	2-10	715	22.08	19.12	1079	31.19	26.10-	-	-	-
200	1.63	6.70	10.90	2-6	713	14.38	11.69	1076	20.46	16.13	2151	34.34	23.29

Shaded area diameters are below industry standard for belt.



# 5VX & 5V Belts In 5V Sheaves

## Drive selection tables

CENTER DISTANCE AND COMBINED ARC-LENGTH CORRECTION FACTOR ▲																
5VX 500	5VX 530	5VX 560	5VX 630	5VX 710	5VX 750	5VX 800	5VX 900	5VX 1000	5VX 1250	5VX 1400	5VX 1500	5VX 1600	5VX 1800	5VX 1900	5VX 2000	Line #
-	-	-	-	-	-	18.4	23.4	28.5	41.0	48.5	53.5	58.5	68.5	73.5	78.5	151
-	-	-	-	-	-	-	19.8	24.8	37.3	44.9	49.9	54.9	64.9	69.9	74.9	152
-	-	-	13.7	17.8	19.8	22.3	27.3	32.3	44.8	52.3	57.3	62.3	72.3	77.3	82.3	153
12.9	14.4	15.9	19.4	23.4	25.4	28.0	33.0	38.0	50.5	58.0	63.0	68.0	78.0	83.0	88.0	154
16.6	18.1	19.6	23.1	27.1	29.1	31.6	36.6	41.6	54.1	61.6	66.6	71.6	81.6	86.6	91.6	155
■ 0.81	0.83	0.84	0.85	0.88	0.89	0.90	0.92	0.94	0.99	1.01	1.02	1.04	1.06	1.07	1.08	■
-	-	-	-	16.7	18.7	21.2	26.3	31.3	43.8	51.3	56.3	61.3	71.3	76.3	81.3	156
13.6	15.1	16.6	20.1	24.2	26.2	28.7	33.7	38.7	51.2	58.7	63.7	68.7	78.7	83.7	88.7	157
16.1	17.6	19.1	22.6	26.6	28.6	31.1	36.1	41.1	53.6	61.1	66.1	71.1	81.1	86.1	91.1	158
15.0	16.5	18.0	21.5	25.5	27.5	30.0	35.0	40.0	52.5	60.0	65.0	70.0	80.0	85.0	90.0	159
15.5	17.0	18.5	22.0	26.1	28.1	30.6	35.6	40.6	53.1	60.6	65.6	70.6	80.6	85.6	90.6	160
■ 0.81	0.83	0.84	0.86	0.88	0.89	0.91	0.93	0.95	0.99	1.01	1.03	1.04	1.06	1.07	1.08	■
11.2	12.7	14.2	17.8	21.8	23.8	26.3	31.3	36.3	48.8	56.3	61.3	66.3	76.3	81.3	86.3	161
-	11.9	13.4	17.0	21.0	23.0	25.5	30.5	35.5	48.0	55.5	60.5	65.5	75.5	80.5	85.5	162
14.3	15.8	17.4	20.9	24.9	26.9	29.4	34.4	39.4	51.9	59.4	64.4	69.4	79.4	84.4	89.4	163
12.0	13.5	15.0	18.5	22.5	24.5	27.0	32.0	37.0	49.6	57.1	62.1	67.1	77.1	82.1	87.1	164
-	-	-	-	15.5	17.5	20.0	25.0	30.0	42.6	50.1	55.1	60.1	70.1	75.1	80.1	165
■ 0.80	0.82	0.83	0.85	0.87	0.89	0.90	0.93	0.95	0.99	1.01	1.03	1.04	1.06	1.07	1.08	■
-	-	-	13.9	17.9	20.0	22.5	27.5	32.5	45.0	52.5	57.5	62.5	72.5	77.5	82.5	166
-	-	-	-	-	16.2	18.7	23.7	28.8	41.3	48.8	53.8	58.8	68.8	73.8	78.8	167
12.7	14.2	15.7	19.2	23.2	25.2	27.7	32.8	37.8	50.3	57.8	62.8	67.8	77.8	82.8	87.8	168
-	-	-	14.9	18.9	20.9	23.4	28.4	33.4	46.0	53.5	58.5	63.5	73.5	78.5	83.5	169
-	-	-	15.8	19.9	21.9	24.4	29.4	34.4	46.9	54.4	59.4	64.4	74.4	79.4	84.4	170
■ 0.80	0.82	0.83	0.84	0.87	0.88	0.90	0.92	0.94	0.99	1.01	1.02	1.04	1.06	1.07	1.08	■
-	-	-	-	-	-	-	-	-	31.2	38.7	43.7	48.8	58.8	63.8	68.8	171
-	-	-	-	-	-	-	20.3	25.3	37.9	45.4	50.4	55.4	65.4	70.4	75.4	172
-	-	-	-	-	-	-	-	-	-	33.0	38.0	43.1	53.1	58.1	63.2	173
-	-	13.1	16.6	20.6	22.7	25.2	30.2	35.2	47.7	55.2	60.2	65.2	75.2	80.2	85.2	174
-	-	-	-	17.1	19.1	21.6	26.6	31.7	44.2	51.7	56.7	61.7	71.7	76.7	81.7	175
■		0.82	0.85	0.87	0.88	0.89	0.91	0.94	0.98	1.00	1.01	1.03	1.05	1.06	1.07	■
-	-	-	-	-	-	-	-	22.1	34.7	42.2	47.2	52.2	62.2	67.3	72.3	176
16.2	17.7	19.2	22.8	26.8	28.8	31.3	36.3	41.3	53.8	61.3	66.3	71.3	81.3	86.3	91.3	177
13.2	14.7	16.2	19.7	23.7	25.8	28.3	33.3	38.3	50.8	58.3	63.3	68.3	78.3	83.3	88.3	178
15.7	17.2	18.7	22.2	26.2	28.2	30.7	35.8	40.8	53.3	60.8	65.8	70.8	80.8	85.8	90.8	179
15.2	16.7	18.2	21.7	25.7	27.7	30.2	35.2	40.2	52.7	60.2	65.2	70.2	80.3	85.3	90.3	180
■ 0.81	0.82	0.84	0.86	0.88	0.89	0.91	0.93	0.94	0.99	1.01	1.03	1.04	1.06	1.07	1.08	■
-	12.2	13.7	17.3	21.3	23.3	25.8	30.8	35.8	48.3	55.8	60.8	65.8	75.8	80.8	85.8	181
11.5	13.0	14.5	18.1	22.1	24.1	26.6	31.6	36.6	49.1	56.6	61.6	66.6	76.6	81.6	86.6	182
14.6	16.1	17.6	21.1	25.1	27.1	29.6	34.6	39.6	52.1	59.6	64.6	69.6	79.6	84.6	89.6	183
-	-	-	-	15.8	17.9	20.4	25.4	30.4	43.0	50.5	55.5	60.5	70.5	75.5	80.5	184
13.9	15.4	16.9	20.4	24.5	26.5	29.0	34.0	39.0	51.5	59.0	64.0	69.0	79.0	84.0	89.0	185
■ 0.80	0.81	0.83	0.85	0.87	0.89	0.90	0.92	0.95	0.99	1.01	1.03	1.04	1.06	1.07	1.08	■
12.3	13.8	15.3	18.8	22.8	24.8	27.3	32.3	37.4	49.9	57.4	62.4	67.4	77.4	82.4	87.4	186
-	-	-	14.3	18.3	20.3	22.8	27.9	32.9	45.4	52.9	57.9	62.9	72.9	77.9	82.9	187
-	-	-	-	-	16.6	19.1	24.2	29.2	41.7	49.3	54.3	59.3	69.3	74.3	79.3	188
-	-	-	-	17.3	19.3	21.8	26.8	31.8	44.4	51.9	56.9	61.9	71.9	76.9	81.9	189
-	-	-	15.2	19.3	21.3	23.8	28.8	33.8	46.3	53.9	58.9	63.9	73.9	78.9	83.9	190
■ 0.80	0.81	0.83	0.84	0.87	0.88	0.89	0.92	0.94	0.99	1.01	1.02	1.04	1.06	1.07	1.08	■
13.0	14.5	16.0	19.5	23.5	25.5	28.1	33.1	38.1	50.6	58.1	63.1	68.1	78.1	83.1	88.1	191
-	-	12.7	16.2	20.2	22.2	24.7	29.8	34.8	47.3	54.8	59.8	64.8	74.8	79.8	84.8	192
-	-	-	-	-	-	-	-	-	31.9	39.4	44.5	49.5	59.5	64.5	69.5	193
-	-	-	-	-	-	-	20.8	25.8	38.4	45.9	50.9	55.9	66.0	71.0	76.0	194
-	11.9	13.4	16.9	20.9	23.0	25.5	30.5	35.5	48.0	55.5	60.5	65.5	75.5	80.5	85.5	195
■ 0.80	0.81	0.82	0.85	0.87	0.89	0.90	0.92	0.94	0.98	1.01	1.02	1.03	1.06	1.07	1.08	■
-	-	-	-	-	-	-	-	22.6	35.3	42.8	47.8	52.8	62.9	67.9	72.9	196
15.4	16.9	18.4	21.9	25.9	27.9	30.4	35.4	40.4	52.9	60.4	65.4	70.4	80.4	85.4	90.4	197
15.9	17.4	18.9	22.4	26.4	28.4	30.9	35.9	40.9	53.5	61.0	66.0	71.0	81.0	86.0	91.0	198
-	-	-	-	16.2	18.2	20.8	25.8	30.8	43.4	50.9	55.9	60.9	70.9	75.9	80.9	199
-	12.5	14.0	17.6	21.6	23.6	26.1	31.1	36.1	48.6	56.1	61.1	66.1	76.1	81.1	86.2	200
■ 0.81	0.82	0.83	0.85	0.87	0.88	0.90	0.92	0.94	0.99	1.01	1.02	1.04	1.06	1.07	1.08	■

▲ Not all available belt lengths are shown.

■ Combined Arc-Length correction factors for 5 preceding lines.

# 5VX & 5V Belts In 5V Sheaves

## Drive selection tables

LINE #	RATIO	STOCK SHEAVES			DRIVEN SPEEDS AND HORSEPOWER RATINGS PER BELT								
		Datum Diameter		Number Grooves	1160 RPM			1750 RPM			3500 RPM		
		DR	DN		Driven Speed	H.P. Ratings		Driven Speed	H.P. Ratings		Driven Speed	H.P. Ratings	
						5VX	5V		5VX	5V		5VX	5V
201	1.63	4.90	8.00	2-6	711	8.73	6.17	1072	12.38	8.38	2144	21.14	12.14
202	1.63	5.20	8.50	2-6	710	9.69	7.10	1071	13.75	9.71	2141	23.49	14.22
203	1.63	6.30	10.30	2-6	710	13.14	10.49	1070	18.70	14.46	2141	31.60	21.11
204	1.64	5.50	9.00	2-6	709	10.64	8.04	1069	15.12	11.03	2139	25.78	16.22
205	1.64	9.75	16.00	2-10	707	23.55	20.52	1066	33.20	27.91	-	-	-
206	1.65	8.50	14.00	2-10	704	19.86	16.99	1063	28.14	23.31	-	-	-
207	1.65	8.00	13.20	2-10	703	18.36	15.55	1061	26.05	21.38	-	-	-
208	1.65	5.90	9.75	2-6	702	11.90	9.27	1059	16.93	12.77	2118	28.76	18.76
209	1.65	11.30	18.70	2-10	701	28.02	24.74	1057	39.16	33.13	-	-	-
210	1.66	7.10	11.80	2-10	698	15.62	12.90	1053	22.22	17.80	2106	37.00	25.35
211	1.67	7.50	12.50	2-10	696	16.85	14.09	1050	23.94	19.42	-	-	-
212	1.67	9.00	15.00	2-10	696	21.35	18.43	1050	30.20	25.20	-	-	-
213	1.68	5.50	9.25	2-6	690	10.65	8.05	1041	15.14	11.05	2081	25.82	16.27
214	1.68	18.70	31.50	3-10	689	47.28	41.85	-	-	-	-	-	-
215	1.69	14.00	23.60	2-10	688	35.46	31.61	1038	48.60	40.80	-	-	-
216	1.69	6.70	11.30	2-6	688	14.40	11.71	1038	20.49	16.16	2075	34.39	23.36
217	1.70	12.50	21.20	2-10	684	31.39	27.88	1032	43.53	36.80	-	-	-
218	1.70	4.40	7.50	2-6	681	7.15	4.61	1027	10.09	6.17	2053	17.17	8.57
219	1.72	10.90	18.70	2-10	676	26.90	23.69	1020	37.68	31.87	-	-	-
220	1.72	4.65	8.00	2-6	674	7.95	5.41	1017	11.26	7.31	2034	19.22	10.43
221	1.73	9.25	16.00	2-10	671	22.11	19.15	1012	31.24	26.15	-	-	-
222	1.73	6.30	10.90	2-6	670	13.17	10.52	1011	18.74	14.51	2023	31.67	21.21
223	1.73	5.20	9.00	2-6	670	9.71	7.14	1011	13.79	9.76	2022	23.56	14.32
224	1.73	4.90	8.50	2-6	669	8.76	6.20	1009	12.42	8.43	2018	21.22	12.24
225	1.75	5.90	10.30	2-6	664	11.92	9.30	1002	16.96	12.81	2005	28.83	18.85
226	1.75	8.00	14.00	2-10	663	18.38	15.58	1000	26.09	21.43	-	-	-
227	1.75	16.00	28.00	2-10	663	40.69	36.27	-	-	-	-	-	-
228	1.76	7.50	13.20	2-10	659	16.87	14.12	994	23.97	19.46	-	-	-
229	1.76	7.10	12.50	2-10	659	15.65	12.93	994	22.25	17.84	1988	37.07	25.44
230	1.76	6.70	11.80	2-6	659	14.42	11.73	994	20.51	16.20	1987	34.44	23.43
231	1.76	8.50	15.00	2-10	657	19.89	17.03	992	28.18	23.37	-	-	-
232	1.77	5.50	9.75	2-6	654	10.67	8.08	987	15.17	11.09	1974	25.88	16.35
233	1.78	9.00	16.00	2-10	653	21.38	18.46	984	30.24	25.25	-	-	-
234	1.78	5.20	9.25	2-6	652	9.72	7.15	984	13.81	9.78	1968	23.59	14.36
235	1.79	13.20	23.60	2-10	649	33.33	29.67	979	45.98	38.78	-	-	-
236	1.79	6.30	11.30	2-6	647	13.18	10.53	976	18.76	14.53	1951	31.71	21.26
237	1.80	11.80	21.20	2-10	646	29.46	26.10	974	41.05	34.76	-	-	-
238	1.82	10.30	18.70	2-10	639	25.19	22.09	964	35.42	29.90	-	-	-
239	1.82	4.40	8.00	2-6	638	7.17	4.64	963	10.13	6.21	1925	17.24	8.66
240	1.83	4.65	8.50	2-6	635	7.97	5.44	957	11.29	7.35	1915	19.28	10.52
241	1.84	4.90	9.00	2-6	632	8.78	6.22	953	12.45	8.47	1906	21.28	12.32
242	1.85	5.90	10.90	2-6	628	11.94	9.33	947	16.99	12.85	1894	28.88	18.93
243	1.86	7.10	13.20	2-10	624	15.66	12.95	941	22.28	17.88	1883	37.12	25.51
244	1.87	6.70	12.50	2-6	622	14.43	11.76	938	20.54	16.23	1876	34.50	23.50
245	1.87	7.50	14.00	2-10	621	16.89	14.14	938	24.00	19.50	-	-	-
246	1.87	15.00	28.00	2-10	621	38.14	34.02	-	-	-	-	-	-
247	1.87	5.50	10.30	2-6	619	10.69	8.10	934	15.20	11.13	1869	25.93	16.41
248	1.87	6.30	11.80	2-6	619	13.20	10.55	934	18.78	14.56	1869	31.75	21.31
249	1.88	8.00	15.00	2-10	619	18.41	15.61	933	26.12	21.48	-	-	-
250	1.88	5.20	9.75	2-6	619	9.74	7.17	933	13.83	9.81	1867	23.64	14.42

Shaded area diameters are below industry standard for belt.

# 5VX & 5V Belts In 5V Sheaves

## Drive selection tables

CENTER DISTANCE AND COMBINED ARC-LENGTH CORRECTION FACTOR ▲																
5VX 500	5VX 530	5VX 560	5VX 630	5VX 710	5VX 750	5VX 800	5VX 900	5VX 1000	5VX 1250	5VX 1400	5VX 1500	5VX 1600	5VX 1800	5VX 1900	5VX 2000	LINE #
14.8	16.3	17.8	21.3	25.3	27.3	29.8	34.8	39.8	52.3	59.8	64.8	69.9	79.9	84.9	89.9	201
14.1	15.7	17.2	20.7	24.7	26.7	29.2	34.2	39.2	51.7	59.2	64.2	69.2	79.2	84.2	89.2	202
11.8	13.3	14.8	18.4	22.4	24.4	26.9	31.9	36.9	49.4	56.9	61.9	66.9	76.9	81.9	86.9	203
13.5	15.0	16.5	20.0	24.0	26.1	28.6	33.6	38.6	51.1	58.6	63.6	68.6	78.6	83.6	88.6	204
-	-	-	-	-	17.0	19.5	24.6	29.6	42.2	49.7	54.7	59.7	69.7	74.7	79.7	205
■ 0.80	0.81	0.83	0.85	0.88	0.88	0.90	0.92	0.94	0.99	1.01	1.02	1.04	1.06	1.07	1.08 ■	
-	-	-	-	17.6	19.6	22.2	27.2	32.2	44.7	52.3	57.3	62.3	72.3	77.3	82.3	206
-	-	-	14.6	18.7	20.7	23.2	28.2	33.2	45.8	53.3	58.3	63.3	73.3	78.3	83.3	207
12.6	14.1	15.6	19.1	23.1	25.1	27.6	32.7	37.7	50.2	57.7	62.7	67.7	77.7	82.7	87.7	208
-	-	-	-	-	-	-	21.1	26.2	38.8	46.3	51.3	56.3	66.3	71.3	76.3	209
-	-	12.9	16.5	20.5	22.5	25.0	30.1	35.1	47.6	55.1	60.1	65.1	75.1	80.1	85.1	210
■ 0.80	0.81	0.82	0.84	0.87	0.88	0.89	0.91	0.94	0.98	1.01	1.02	1.03	1.06	1.07	1.08 ■	
-	-	-	15.6	19.6	21.6	24.2	29.2	34.2	46.7	54.2	59.2	64.2	74.2	79.3	84.3	211
-	-	-	-	16.4	18.4	20.9	26.0	31.0	43.5	51.1	56.1	61.1	71.1	76.1	81.1	212
13.3	14.8	16.3	19.8	23.8	25.8	28.4	33.4	38.4	50.9	58.4	63.4	68.4	78.4	83.4	88.4	213
-	-	-	-	-	-	-	-	-	29.9	35.0	40.1	50.2	55.2	60.2	65.2	214
-	-	-	-	-	-	-	-	-	32.6	40.2	45.2	50.2	60.3	65.3	70.3	215
■ 0.80	0.81	0.82	0.84	0.86	0.88	0.89	0.92	0.94	0.98	0.99	1.01	1.02	1.05	1.06	1.07 ■	
-	12.1	13.7	17.2	21.2	23.2	25.8	30.8	35.8	48.3	55.8	60.8	65.8	75.8	80.8	85.8	216
-	-	-	-	-	-	-	-	23.1	35.8	43.3	48.3	53.4	63.4	68.4	73.4	217
15.6	17.1	18.6	22.1	26.1	28.1	30.6	35.6	40.6	53.1	60.6	65.6	70.6	80.6	85.6	90.6	218
-	-	-	-	-	-	-	21.4	26.5	39.1	46.6	51.6	56.6	66.6	71.6	76.7	219
15.0	16.5	18.0	21.5	25.5	27.5	30.0	35.0	40.0	52.5	60.0	65.0	70.0	80.0	85.0	90.0	220
■ 0.81	0.81	0.82	0.85	0.88	0.89	0.90	0.92	0.93	0.98	1.01	1.02	1.03	1.06	1.07	1.08 ■	
-	-	-	-	15.3	17.3	19.9	24.9	30.0	42.5	50.1	55.1	60.1	70.1	75.1	80.1	221
11.3	12.8	14.3	17.8	21.9	23.9	26.4	31.4	36.4	48.9	56.4	61.4	66.4	76.4	81.4	86.4	222
13.7	15.2	16.7	20.3	24.3	26.3	28.8	33.8	38.8	51.3	58.8	63.8	68.8	78.8	83.8	88.8	223
14.4	15.9	17.4	20.9	24.9	26.9	29.4	34.4	39.4	51.9	59.4	64.5	69.5	79.5	84.5	89.5	224
12.1	13.6	15.1	18.6	22.7	24.7	27.2	32.2	37.2	49.7	57.2	62.2	67.2	77.2	82.2	87.2	225
■ 0.79	0.81	0.82	0.85	0.87	0.88	0.89	0.92	0.94	0.99	1.01	1.02	1.04	1.06	1.07	1.08 ■	
-	-	-	13.9	18.0	20.0	22.5	27.6	32.6	45.1	52.6	57.6	62.6	72.7	77.7	82.7	226
-	-	-	-	-	-	-	-	-	27.3	34.9	40.0	45.0	55.1	60.1	65.2	227
-	-	-	15.0	19.0	21.0	23.6	28.6	33.6	46.2	53.7	58.7	63.7	73.7	78.7	83.7	228
-	-	12.3	15.9	19.9	21.9	24.5	29.5	34.5	47.0	54.5	59.5	64.5	74.6	79.6	84.6	229
-	-	13.2	16.8	20.8	22.8	25.3	30.4	35.4	47.9	55.4	60.4	65.4	75.4	80.4	85.4	230
■		0.80	0.83	0.86	0.87	0.89	0.92	0.94	0.97	1.00	1.02	1.03	1.05	1.06	1.07 ■	
-	-	-	-	16.7	18.8	21.3	26.3	31.4	43.9	51.4	56.4	61.5	71.5	76.5	81.5	231
12.8	14.4	15.9	19.4	23.4	25.4	27.9	33.0	38.0	50.5	58.0	63.0	68.0	78.0	83.0	88.0	232
-	-	-	-	15.5	17.5	20.1	25.1	30.2	42.7	50.2	55.3	60.3	70.3	75.3	80.3	233
13.5	15.0	16.5	20.0	24.1	26.1	28.6	33.6	38.6	51.1	58.6	63.6	68.6	78.6	83.6	88.6	234
-	-	-	-	-	-	-	-	-	33.2	40.8	45.8	50.8	60.9	65.9	70.9	235
■ 0.79	0.81	0.82	0.85	0.86	0.87	0.89	0.91	0.94	0.98	1.00	1.02	1.03	1.05	1.07	1.08 ■	
-	12.4	14.0	17.5	21.5	23.5	26.1	31.1	36.1	48.6	56.1	61.1	66.1	76.1	81.1	86.1	236
-	-	-	-	-	-	-	-	23.6	36.3	43.8	48.9	53.9	63.9	68.9	73.9	237
-	-	-	-	-	-	-	21.8	26.9	39.5	47.0	52.1	57.1	67.1	72.1	77.1	238
15.2	16.7	18.2	21.7	25.7	27.7	30.2	35.2	40.2	52.7	60.2	65.2	70.2	80.2	85.2	90.2	239
14.5	16.1	17.6	21.1	25.1	27.1	29.6	34.6	39.6	52.1	59.6	64.6	69.6	79.6	84.7	89.7	240
■ 0.80	0.81	0.82	0.85	0.87	0.89	0.90	0.91	0.93	0.98	1.00	1.02	1.03	1.06	1.07	1.08 ■	
13.9	15.4	17.0	20.5	24.5	26.5	29.0	34.0	39.0	51.5	59.0	64.1	69.1	79.1	84.1	89.1	241
11.5	13.1	14.6	18.1	22.2	24.2	26.7	31.7	36.7	49.2	56.8	61.8	66.8	76.8	81.8	86.8	242
-	-	-	15.3	19.3	21.3	23.9	28.9	33.9	46.5	54.0	59.0	64.0	74.0	79.0	84.0	243
-	-	12.6	16.2	20.2	22.2	24.8	29.8	34.8	47.3	54.8	59.9	64.9	74.9	79.9	84.9	244
-	-	-	14.2	18.3	20.4	22.9	27.9	33.0	45.5	53.0	58.0	63.0	73.0	78.0	83.1	245
■ 0.79	0.80	0.81	0.83	0.86	0.88	0.89	0.92	0.94	0.98	1.01	1.02	1.03	1.06	1.07	1.08 ■	
-	-	-	-	-	-	-	-	-	28.0	35.6	40.7	45.8	55.8	60.9	65.9	246
12.4	13.9	15.4	18.9	23.0	25.0	27.5	32.5	37.5	50.0	57.5	62.5	67.5	77.6	82.6	87.6	247
-	12.0	13.5	17.1	21.1	23.1	25.6	30.7	35.7	48.2	55.7	60.7	65.7	75.7	80.7	85.7	248
-	-	-	-	17.1	19.1	21.7	26.7	31.7	44.3	51.8	56.8	61.8	71.9	76.9	81.9	249
13.1	14.6	16.1	19.6	23.6	25.7	28.2	33.2	38.2	50.7	58.2	63.2	68.2	78.2	83.2	88.2	250
■ 0.79	0.80	0.81	0.84	0.86	0.88	0.89	0.92	0.94	0.97	1.00	1.01	1.03	1.05	1.06	1.07 ■	

▲ Not all available belt lengths are shown.

■ Combined Arc-Length correction factors for 5 preceding lines.

# 5VX & 5V Belts In 5V Sheaves

## Drive selection tables

LINE #	RATIO	STOCK SHEAVES			DRIVEN SPEEDS AND HORSEPOWER RATINGS PER BELT								
		Datum Diameter		Number Grooves	1160 RPM			1750 RPM			3500 RPM		
		DR	DN		Driven Speed	H.P. Ratings		Driven Speed	H.P. Ratings		Driven Speed	H.P. Ratings	
						5VX	5V		5VX	5V		5VX	5V
251	1.88	11.30	21.20	2-10	618	28.07	24.80	933	39.23	33.22	-	-	-
252	1.88	8.50	16.00	2-10	616	19.91	17.05	930	28.21	23.41	-	-	-
253	1.89	4.90	9.25	2-6	614	8.78	6.23	927	12.46	8.49	1854	21.30	12.35
254	1.89	12.50	23.60	2-10	614	31.43	27.93	927	43.58	36.87	-	-	-
255	1.92	5.90	11.30	2-6	606	11.95	9.34	914	17.01	12.87	1827	28.91	18.97
256	1.92	9.75	18.70	2-10	605	23.61	20.59	912	33.28	28.02	-	-	-
257	1.93	4.40	8.50	2-6	600	7.19	4.66	906	10.15	6.25	1812	17.29	8.73
258	1.94	4.65	9.00	2-6	599	7.99	5.46	904	11.31	7.38	1808	19.33	10.58
259	1.94	10.90	21.20	2-10	596	26.94	23.74	900	37.74	31.95	-	-	-
260	1.97	16.00	31.50	3-10	589	40.73	36.31	-	-	-	-	-	-
261	1.97	6.70	13.20	2-6	589	14.45	11.78	888	20.56	16.26	1777	34.54	23.55
262	1.97	7.10	14.00	2-10	588	15.68	12.97	888	22.30	17.91	1775	37.17	25.57
263	1.98	5.20	10.30	2-6	586	9.75	7.19	883	13.85	9.84	1767	23.68	14.47
264	1.98	5.50	10.90	2-6	585	10.70	8.12	883	15.22	11.15	1766	25.97	16.47
265	1.98	6.30	12.50	2-6	585	13.21	10.57	882	18.80	14.59	1764	31.80	21.36
266	1.99	4.65	9.25	2-6	583	8.00	5.47	880	11.32	7.39	1759	19.35	10.60
267	1.99	4.90	9.75	2-6	583	8.80	6.25	879	12.48	8.51	1759	21.34	12.40
268	2.00	5.90	11.80	2-6	580	11.96	9.35	875	17.02	12.89	1750	28.94	19.01
269	2.00	7.50	15.00	2-10	580	16.91	14.16	875	24.03	19.53	-	-	-
270	2.00	8.00	16.00	2-10	580	18.42	15.63	875	26.15	21.51	-	-	-
271	2.00	11.80	23.60	2-10	580	29.49	26.14	875	41.09	34.82	-	-	-
272	2.00	14.00	28.00	2-10	580	35.52	31.68	875	48.68	40.91	-	-	-
273	2.01	18.70	37.50	3-10	578	47.33	41.92	-	-	-	-	-	-
274	2.02	9.25	18.70	2-10	574	22.15	19.21	866	31.30	26.24	-	-	-
275	2.05	4.40	9.00	2-6	567	7.20	4.68	856	10.17	6.27	1711	17.33	8.78
276	2.05	5.50	11.30	2-6	565	10.71	8.13	852	15.23	11.17	1704	26.00	16.50
277	2.06	10.30	21.20	2-10	564	25.22	22.13	850	35.46	29.96	-	-	-
278	2.08	9.00	18.70	2-10	558	21.42	18.51	842	30.30	25.33	-	-	-
279	2.09	11.30	23.60	2-10	555	28.09	24.83	838	39.27	33.27	-	-	-
280	2.09	6.70	14.00	2-6	555	14.46	11.79	837	20.58	16.28	1675	34.57	23.60
281	2.10	6.30	13.20	2-6	554	13.22	10.58	835	18.82	14.61	1670	31.83	21.41
282	2.10	5.20	10.90	2-6	553	9.76	7.20	835	13.87	9.86	1670	23.72	14.52
283	2.10	4.65	9.75	2-6	553	8.01	5.48	835	11.34	7.41	1669	19.38	10.64
284	2.10	15.00	31.50	3-10	552	38.17	34.06	-	-	-	-	-	-
285	2.10	4.90	10.30	2-6	552	8.81	6.27	833	12.50	8.53	1665	21.37	12.44
286	2.10	4.40	9.25	2-6	552	7.20	4.69	832	10.18	6.28	1665	17.35	8.80
287	2.11	7.10	15.00	2-10	549	15.69	12.99	828	22.32	17.93	1657	37.21	25.62
288	2.12	5.90	12.50	2-6	548	11.97	9.37	826	17.04	12.91	1652	28.98	19.05
289	2.12	13.20	28.00	2-10	547	33.37	29.73	825	46.04	38.87	-	-	-
290	2.13	7.50	16.00	2-10	544	16.92	14.18	820	24.05	19.55	-	-	-
291	2.15	5.50	11.80	2-6	541	10.72	8.14	816	15.24	11.18	1631	26.02	16.53
292	2.17	10.90	23.60	2-10	536	26.96	23.77	808	37.78	31.99	-	-	-
293	2.17	5.20	11.30	2-6	534	9.77	7.21	805	13.88	9.87	1611	23.74	14.54
294	2.17	9.75	21.20	2-10	533	23.64	20.63	805	33.32	28.07	-	-	-
295	2.20	8.50	18.70	2-10	527	19.94	17.10	795	28.26	23.47	-	-	-
296	2.22	4.65	10.30	2-6	524	8.02	5.49	790	11.35	7.43	1580	19.40	10.68
297	2.22	4.40	9.75	2-6	523	7.21	4.70	790	10.19	6.30	1579	17.37	8.83
298	2.22	6.30	14.00	2-6	522	13.23	10.60	788	18.83	14.63	1575	31.86	21.44
299	2.22	4.90	10.90	2-6	521	8.82	6.28	787	12.51	8.55	1573	21.40	12.48
300	2.24	5.90	13.20	2-6	518	11.98	9.38	782	17.05	12.93	1564	29.00	19.08

Shaded area diameters are below industry standard for belt.

# 5VX & 5V Belts In 5V Sheaves

## Drive selection tables

CENTER DISTANCE AND COMBINED ARC-LENGTH CORRECTION FACTOR ▲																
5VX 530	5VX 560	5VX 630	5VX 710	5VX 750	5VX 800	5VX 900	5VX 1000	5VX 1250	5VX 1400	5VX 1500	5VX 1600	5VX 1800	5VX 1900	5VX 2000	5V 2120	LINE #
-	-	-	-	-	-	18.8	24.0	36.6	44.2	49.2	54.2	64.3	69.3	74.3	80.3	251
-	-	-	15.8	17.9	20.4	25.5	30.5	43.1	50.6	55.6	60.6	70.7	75.7	80.7	86.7	252
15.2	16.7	20.3	24.3	26.3	28.8	33.8	38.8	51.3	58.8	63.8	68.9	78.9	83.9	88.9	94.9	253
-	-	-	-	-	-	-	20.9	33.7	41.3	46.3	51.3	61.4	66.4	71.4	77.4	254
12.7	14.2	17.8	21.8	23.8	26.4	31.4	36.4	48.9	56.4	61.4	66.4	76.4	81.4	86.4	92.5	255
■ 0.80	■ 0.81	■ 0.84	■ 0.86	■ 0.87	■ 0.89	■ 0.90	■ 0.92	■ 0.97	■ 1.00	■ 1.01	■ 1.03	■ 1.05	■ 1.06	■ 1.07	■ 1.08	■
-	-	-	-	-	17.1	22.2	27.3	39.9	47.4	52.5	57.5	67.5	72.5	77.5	83.5	256
16.2	17.7	21.3	25.3	27.3	29.8	34.8	39.8	52.3	59.8	64.8	69.8	79.8	84.8	89.8	95.8	257
15.6	17.1	20.7	24.7	26.7	29.2	34.2	39.2	51.7	59.2	64.2	69.2	79.2	84.2	89.2	95.2	258
-	-	-	-	-	-	19.1	24.2	36.9	44.5	49.5	54.5	64.6	69.6	74.6	80.6	259
-	-	-	-	-	-	-	-	-	31.7	36.9	42.0	52.1	57.2	62.2	68.3	260
■ 0.81	■ 0.82	■ 0.85	■ 0.88	■ 0.89	■ 0.88	■ 0.90	■ 0.93	■ 0.98	■ 0.99	■ 1.01	■ 1.02	■ 1.05	■ 1.06	■ 1.07	■ 1.08	■
-	-	15.5	19.6	21.6	24.2	29.2	34.2	46.8	54.3	59.3	64.3	74.3	79.3	84.3	90.3	261
-	-	14.5	18.6	20.6	23.2	28.2	33.2	45.8	53.3	58.3	63.3	73.3	78.4	83.4	89.4	262
14.1	15.6	19.2	23.2	25.2	27.7	32.7	37.7	50.3	57.8	62.8	67.8	77.8	82.8	87.8	93.8	263
13.3	14.9	18.4	22.5	24.5	27.0	32.0	37.0	49.5	57.1	62.1	67.1	77.1	82.1	87.1	93.1	264
-	12.9	16.4	20.5	22.5	25.0	30.1	35.1	47.6	55.1	60.2	65.2	75.2	80.2	85.2	91.2	265
■ 0.80	■ 0.80	■ 0.83	■ 0.86	■ 0.87	■ 0.89	■ 0.91	■ 0.94	■ 0.98	■ 1.01	■ 1.02	■ 1.03	■ 1.06	■ 1.07	■ 1.08	■ 1.09	■
15.4	16.9	20.5	24.5	26.5	29.0	34.0	39.0	51.5	59.0	64.0	69.0	79.0	84.1	89.1	95.1	266
14.8	16.3	19.8	23.9	25.9	28.4	33.4	38.4	50.9	58.4	63.4	68.5	78.5	83.5	88.5	94.5	267
12.2	13.8	17.3	21.4	23.4	25.9	31.0	36.0	48.5	56.0	61.0	66.0	76.0	81.0	86.0	92.1	268
-	-	-	17.4	19.5	22.0	27.1	32.1	44.7	52.2	57.2	62.2	72.2	77.2	82.2	88.2	269
-	-	-	16.2	18.2	20.8	25.8	30.9	43.5	51.0	56.0	61.0	71.0	76.0	81.1	87.1	270
■ 0.80	■ 0.81	■ 0.84	■ 0.86	■ 0.87	■ 0.88	■ 0.91	■ 0.94	■ 0.98	■ 1.01	■ 1.02	■ 1.03	■ 1.06	■ 1.07	■ 1.08	■ 1.09	■
-	-	-	-	-	-	-	21.4	34.2	41.8	46.8	51.9	61.9	66.9	72.0	78.0	271
-	-	-	-	-	-	-	-	28.7	36.3	41.4	46.5	56.6	61.6	66.6	72.7	272
-	-	-	-	-	17.4	22.6	27.6	40.3	47.8	52.8	57.9	67.9	72.9	77.9	83.9	273
15.8	17.3	20.8	24.9	26.9	29.4	34.4	39.4	51.9	59.4	64.4	69.4	79.4	84.4	89.4	95.4	274
■ 0.81	■ 0.82	■ 0.85	■ 0.87	■ 0.88	■ 0.87	■ 0.90	■ 0.91	■ 0.96	■ 0.99	■ 1.00	■ 1.01	■ 1.04	■ 1.05	■ 1.06	■ 1.07	■
13.0	14.5	18.1	22.1	24.1	26.6	31.7	36.7	49.2	56.7	61.7	66.7	76.8	81.8	86.8	92.8	276
-	-	-	-	-	-	19.5	24.7	37.4	44.9	50.0	55.0	65.0	70.0	75.1	81.1	277
-	-	-	-	-	17.6	22.7	27.8	40.5	48.0	53.0	58.0	68.1	73.1	78.1	84.1	278
-	-	-	-	-	-	21.7	27.0	39.7	47.2	52.2	57.2	67.3	72.3	77.3	83.3	279
-	-	14.8	18.9	20.9	23.5	28.5	33.5	46.1	53.6	58.6	63.6	73.7	78.7	83.7	89.7	280
■ 0.79	■ 0.80	■ 0.82	■ 0.85	■ 0.87	■ 0.87	■ 0.89	■ 0.91	■ 0.97	■ 0.99	■ 1.01	■ 1.02	■ 1.05	■ 1.06	■ 1.07	■ 1.08	■
-	-	15.8	19.9	21.9	24.4	29.5	34.5	47.1	54.6	59.6	64.6	74.6	79.6	84.6	90.6	281
13.6	15.1	18.6	22.7	24.7	27.2	32.2	37.2	49.8	57.3	62.3	67.3	77.3	82.3	87.3	93.3	282
15.0	16.5	20.0	24.1	26.1	28.6	33.6	38.6	51.1	58.6	63.6	68.6	78.6	83.6	88.6	94.6	283
-	-	-	-	-	-	-	-	32.4	37.6	42.7	47.7	57.7	62.7	67.7	73.7	284
14.3	15.8	19.4	23.4	25.4	27.9	33.0	38.0	50.5	58.0	63.0	68.0	78.0	83.0	88.0	94.0	285
■ 0.80	■ 0.81	■ 0.83	■ 0.86	■ 0.88	■ 0.89	■ 0.92	■ 0.94	■ 0.98	■ 0.99	■ 1.01	■ 1.02	■ 1.05	■ 1.06	■ 1.07	■ 1.08	■
15.6	17.1	20.6	24.7	26.7	29.2	34.2	39.2	51.7	59.2	64.2	69.2	79.2	84.2	89.2	95.2	286
-	-	13.6	17.7	19.7	22.3	27.4	32.4	45.0	52.5	57.5	62.5	72.5	77.5	82.5	88.6	287
-	13.1	16.7	20.8	22.8	25.3	30.4	35.4	47.9	55.5	60.5	65.5	75.5	80.5	85.5	91.5	288
-	-	-	-	-	-	-	-	29.2	36.9	42.0	47.1	57.2	62.2	67.2	73.3	289
-	-	-	16.5	18.6	21.1	26.2	31.3	43.8	51.4	56.4	61.4	71.4	76.4	81.4	87.4	290
■ 0.80	■ 0.80	■ 0.82	■ 0.85	■ 0.86	■ 0.88	■ 0.91	■ 0.93	■ 0.97	■ 1.00	■ 1.01	■ 1.02	■ 1.05	■ 1.06	■ 1.07	■ 1.08	■
12.5	14.1	17.6	21.7	23.7	26.2	31.3	36.3	48.8	56.3	61.3	66.3	76.3	81.4	86.4	92.4	291
-	-	-	-	-	-	-	22.0	34.8	42.4	47.5	52.5	62.6	67.6	72.6	78.6	292
13.2	14.7	18.3	22.3	24.3	26.9	31.9	36.9	49.4	57.0	62.0	67.0	77.0	82.0	87.0	93.0	293
-	-	-	-	-	-	19.9	25.0	37.8	45.3	50.4	55.4	65.4	70.5	75.5	81.5	294
-	-	-	-	-	17.9	23.1	28.2	40.8	48.4	53.4	58.4	68.4	73.5	78.5	84.5	295
■ 0.78	■ 0.80	■ 0.83	■ 0.86	■ 0.87	■ 0.87	■ 0.89	■ 0.91	■ 0.97	■ 0.99	■ 1.01	■ 1.02	■ 1.05	■ 1.06	■ 1.07	■ 1.08	■
14.5	16.0	19.6	23.6	25.6	28.1	33.1	38.2	50.7	58.2	63.2	68.2	78.2	83.2	88.2	94.2	296
15.2	16.7	20.2	24.2	26.3	28.8	33.8	38.8	51.3	58.8	63.8	68.8	78.8	83.8	88.8	94.8	297
-	-	15.1	19.2	21.2	23.7	28.8	33.8	46.4	53.9	58.9	63.9	74.0	79.0	84.0	90.0	298
13.8	15.3	18.9	22.9	24.9	27.4	32.5	37.5	50.0	57.5	62.5	67.5	77.5	82.5	87.5	93.5	299
-	12.5	16.1	20.2	22.2	24.7	29.8	34.8	47.4	54.9	59.9	64.9	74.9	79.9	84.9	90.9	300
■ 0.79	■ 0.80	■ 0.83	■ 0.86	■ 0.87	■ 0.89	■ 0.91	■ 0.94	■ 0.98	■ 1.01	■ 1.02	■ 1.03	■ 1.06	■ 1.07	■ 1.08	■ 1.09	■

▲ Not all available belt lengths are shown.

■ Combined Arc-Length correction factors for 5 preceding lines.

# 5VX & 5V Belts In 5V Sheaves

## Drive selection tables

LINE #	RATIO	STOCK SHEAVES			DRIVEN SPEEDS AND HORSEPOWER RATINGS PER BELT								
		Datum Diameter		Number Grooves	1160 RPM			1750 RPM			3500 RPM		
		DR	DN		Driven Speed	H.P. Ratings		Driven Speed	H.P. Ratings		Driven Speed	H.P. Ratings	
						5VX	5V		5VX	5V		5VX	5V
301	2.24	6.70	15.00	2-6	518	14.47	11.81	782	20.60	16.31	1563	34.61	23.64
302	2.24	12.50	28.00	2-10	518	31.46	27.97	781	43.63	36.93	-	-	-
303	2.25	14.00	31.50	3-10	516	35.54	31.70	778	48.71	40.95	-	-	-
304	2.25	7.10	16.00	2-10	515	15.70	13.00	777	22.34	17.95	1553	37.24	25.66
305	2.27	5.20	11.80	2-6	511	9.78	7.22	771	13.89	9.89	1542	23.76	14.57
306	2.27	5.50	12.50	2-6	510	10.73	8.15	770	15.25	11.20	1540	26.05	16.56
307	2.29	10.30	23.60	2-10	506	25.24	22.15	764	35.49	30.00	-	-	-
308	2.29	9.25	21.20	2-10	506	22.17	19.24	764	31.33	26.28	-	-	-
309	2.31	4.90	11.30	2-6	503	8.82	6.28	759	12.52	8.56	1518	21.42	12.49
310	2.34	8.00	18.70	2-10	496	18.45	15.66	749	26.19	21.56	-	-	-
311	2.34	4.40	10.30	2-6	496	7.22	4.71	748	10.20	6.31	1495	17.40	8.86
312	2.34	16.00	37.50	3-10	495	40.76	36.35	-	-	-	-	-	-
313	2.34	4.65	10.90	2-6	495	8.02	5.50	747	11.36	7.44	1493	19.43	10.71
314	2.36	9.00	21.20	2-10	492	21.44	18.54	743	30.33	25.37	-	-	-
315	2.37	5.90	14.00	2-6	489	11.99	9.39	738	17.06	12.94	1475	29.03	19.11
316	2.37	11.80	28.00	2-10	489	29.52	26.17	738	41.14	34.87	-	-	-
317	2.38	6.30	15.00	2-6	487	13.24	10.61	735	18.85	14.65	1470	31.88	21.48
318	2.39	13.20	31.50	3-10	486	33.39	29.75	733	46.06	38.90	-	-	-
319	2.39	6.70	16.00	2-6	486	14.48	11.82	733	20.61	16.32	1466	34.63	23.68
320	2.40	5.50	13.20	2-6	483	10.73	8.16	729	15.26	11.21	1458	26.07	16.59
321	2.40	5.20	12.50	2-6	483	9.78	7.23	728	13.90	9.90	1456	23.78	14.59
322	2.41	4.90	11.80	2-6	482	8.83	6.29	727	12.52	8.57	1453	21.43	12.52
323	2.42	9.75	23.60	2-10	479	23.65	20.65	723	33.34	28.09	-	-	-
324	2.43	4.65	11.30	2-6	477	8.03	5.51	720	11.37	7.45	1440	19.44	10.72
325	2.48	4.40	10.90	2-6	468	7.23	4.72	706	10.21	6.33	1413	17.41	8.88
326	2.48	11.30	28.00	2-10	468	28.11	24.86	706	39.30	33.32	-	-	-
327	2.49	7.50	18.70	2-10	465	16.94	14.20	702	24.08	19.59	-	-	-
328	2.49	8.50	21.20	2-10	465	19.96	17.12	702	28.28	23.50	-	-	-
329	2.50	15.00	37.50	3-10	464	38.19	34.09	-	-	-	-	-	-
330	2.52	12.50	31.50	3-10	460	31.47	27.99	694	43.65	36.96	-	-	-
331	2.54	4.65	11.80	2-6	457	8.03	5.51	690	11.38	7.46	1379	19.45	10.74
332	2.54	5.20	13.20	2-6	457	9.79	7.24	689	13.91	9.91	1379	23.79	14.62
333	2.54	6.30	16.00	2-6	457	13.25	10.62	689	18.86	14.66	1378	31.90	21.51
334	2.54	5.90	15.00	2-6	456	12.00	9.40	688	17.07	12.96	1377	29.05	19.14
335	2.55	5.50	14.00	2-6	456	10.74	8.17	688	15.27	11.23	1375	26.08	16.61
336	2.55	4.90	12.50	2-6	455	8.83	6.30	686	12.53	8.58	1372	21.45	12.54
337	2.55	9.25	23.60	2-10	455	22.19	19.25	686	31.35	26.30	-	-	-
338	2.57	4.40	11.30	2-6	452	7.23	4.72	681	10.22	6.33	1363	17.42	8.90
339	2.57	10.90	28.00	2-10	452	26.98	23.80	681	37.81	32.03	-	-	-
340	2.62	9.00	23.60	2-10	442	21.45	18.55	667	30.34	25.39	-	-	-
341	2.63	7.10	18.70	2-10	440	15.72	13.03	664	22.36	17.99	1329	37.29	25.73
342	2.65	8.00	21.20	2-10	438	18.46	15.68	660	26.20	21.58	-	-	-
343	2.67	11.80	31.50	3-10	435	29.53	26.19	656	41.15	34.89	-	-	-
344	2.67	18.70	50.00	3-10	434	47.37	41.97	-	-	-	-	-	-
345	2.68	14.00	37.50	3-10	433	35.56	31.73	653	48.74	40.98	-	-	-
346	2.68	4.40	11.80	2-6	433	7.23	4.73	653	10.22	6.34	1305	17.44	8.91
347	2.69	4.65	12.50	2-6	432	8.04	5.52	651	11.38	7.47	1302	19.47	10.76
348	2.69	5.20	14.00	2-6	431	9.79	7.24	650	13.91	9.92	1300	23.81	14.63
349	2.69	4.90	13.20	2-6	431	8.84	6.30	650	12.54	8.59	1299	21.46	12.56
350	2.71	5.90	16.00	2-6	428	12.00	9.40	645	17.08	12.97	1291	29.06	19.16

Shaded area diameters are below industry standard for belt.



# 5VX & 5V Belts In 5V Sheaves

## Drive selection tables

CENTER DISTANCE AND COMBINED ARC-LENGTH CORRECTION FACTOR ▲																
5VX 630	5VX 710	5VX 750	5VX 800	5VX 900	5VX 1000	5VX 1250	5VX 1400	5VX 1500	5VX 1600	5VX 1800	5VX 1900	5VX 2000	5V 2120	5V 2240	5V 2500	LINE #
13.8	18.0	20.0	22.6	27.6	32.7	45.3	52.8	57.8	62.8	72.8	77.8	82.9	88.9	94.9	107.9	301
-	-	-	-	-	-	29.7	37.4	42.5	47.6	57.7	62.7	67.7	73.8	79.8	92.9	302
-	-	-	-	-	-	-	33.1	38.3	43.4	53.5	58.6	63.7	69.7	75.8	88.8	303
-	16.8	18.8	21.4	26.5	31.5	44.1	51.7	56.7	61.7	71.7	76.7	81.7	87.7	93.8	106.8	304
17.8	21.9	23.9	26.4	31.5	36.5	49.0	56.6	61.6	66.6	76.6	81.6	86.6	92.6	98.6	111.6	305
■	<b>0.81</b>	<b>0.84</b>	<b>0.86</b>	<b>0.87</b>	<b>0.90</b>	<b>0.93</b>	<b>0.96</b>	<b>0.98</b>	<b>1.00</b>	<b>1.01</b>	<b>1.04</b>	<b>1.05</b>	<b>1.06</b>	<b>1.08</b>	<b>1.09</b>	<b>1.11</b> ■
17.0	21.1	23.1	25.6	30.7	35.7	48.2	55.8	60.8	65.8	75.8	80.8	85.8	91.8	97.8	110.8	306
-	-	-	-	-	22.4	35.2	42.9	47.9	53.0	63.0	68.1	73.1	79.1	85.1	98.1	307
-	-	-	-	20.2	25.4	38.1	45.7	50.7	55.8	65.8	70.8	75.8	81.9	87.9	100.9	308
18.5	22.5	24.6	27.1	32.1	37.1	49.7	57.2	62.2	67.2	77.2	82.2	87.2	93.2	99.2	112.2	309
-	-	-	18.2	23.4	28.5	41.2	48.7	53.8	58.8	68.8	73.8	78.8	84.9	90.9	103.9	310
■	<b>0.83</b>	<b>0.86</b>	<b>0.87</b>	<b>0.87</b>	<b>0.89</b>	<b>0.91</b>	<b>0.97</b>	<b>0.99</b>	<b>1.01</b>	<b>1.02</b>	<b>1.05</b>	<b>1.06</b>	<b>1.07</b>	<b>1.08</b>	<b>1.09</b>	<b>1.11</b> ■
19.7	23.8	25.8	28.3	33.3	38.3	50.9	58.4	63.4	68.4	78.4	83.4	88.4	94.4	100.4	113.4	311
-	-	-	-	-	-	-	-	31.1	36.4	46.7	51.9	57.0	63.1	69.1	82.3	312
19.0	23.1	25.1	27.6	32.6	37.7	50.2	57.7	62.7	67.7	77.7	82.7	87.7	93.7	99.7	112.7	313
-	-	-	-	20.4	25.6	38.3	45.9	50.9	55.9	66.0	71.0	76.0	82.1	88.1	101.1	314
15.3	19.4	21.5	24.0	29.1	34.1	46.7	54.2	59.2	64.2	74.3	79.3	84.3	90.3	96.3	109.3	315
■	<b>0.83</b>	<b>0.86</b>	<b>0.87</b>	<b>0.89</b>	<b>0.90</b>	<b>0.92</b>	<b>0.98</b>	<b>1.00</b>	<b>1.00</b>	<b>1.01</b>	<b>1.04</b>	<b>1.05</b>	<b>1.06</b>	<b>1.08</b>	<b>1.09</b>	<b>1.11</b> ■
-	-	-	-	-	-	30.2	37.9	43.0	48.1	58.2	63.2	68.3	74.3	80.3	93.4	316
14.1	18.3	20.3	22.9	27.9	33.0	45.6	53.1	58.1	63.1	73.1	78.1	83.2	89.2	95.2	108.2	317
-	-	-	-	-	-	25.8	33.6	38.8	43.9	54.1	59.2	64.2	70.3	76.3	89.4	318
-	17.0	19.1	21.7	26.8	31.8	44.4	52.0	57.0	62.0	72.0	77.0	82.0	88.0	94.1	107.1	319
16.4	20.5	22.5	25.0	30.1	35.1	47.7	55.2	60.2	65.2	75.2	80.2	85.2	91.2	97.2	110.2	320
■	<b>0.80</b>	<b>0.83</b>	<b>0.85</b>	<b>0.87</b>	<b>0.90</b>	<b>0.92</b>	<b>0.95</b>	<b>0.98</b>	<b>1.00</b>	<b>1.01</b>	<b>1.04</b>	<b>1.05</b>	<b>1.06</b>	<b>1.08</b>	<b>1.09</b>	<b>1.11</b> ■
17.2	21.3	23.3	25.8	30.9	35.9	48.5	56.0	61.0	66.0	76.0	81.0	86.0	92.0	98.0	111.0	321
18.1	22.1	24.1	26.7	31.7	36.7	49.3	56.8	61.8	66.8	76.8	81.8	86.8	92.8	98.8	111.8	322
-	-	-	-	-	22.8	35.6	43.3	48.3	53.4	63.4	68.5	73.5	79.5	85.5	98.6	323
18.7	22.7	24.7	27.3	32.3	37.3	49.9	57.4	62.4	67.4	77.4	82.4	87.4	93.4	99.4	112.4	324
19.2	23.3	25.3	27.8	32.8	37.8	50.4	57.9	62.9	67.9	77.9	82.9	87.9	93.9	99.9	112.9	325
■	<b>0.83</b>	<b>0.86</b>	<b>0.87</b>	<b>0.89</b>	<b>0.91</b>	<b>0.92</b>	<b>0.97</b>	<b>1.00</b>	<b>1.01</b>	<b>1.03</b>	<b>1.05</b>	<b>1.06</b>	<b>1.07</b>	<b>1.08</b>	<b>1.10</b>	<b>1.12</b> ■
-	-	-	-	-	-	30.5	38.2	43.3	48.4	58.5	63.6	68.6	74.7	80.7	93.8	326
-	-	15.9	18.6	23.8	28.9	41.5	49.1	54.1	59.2	69.2	74.2	79.2	85.2	91.3	104.3	327
-	-	-	-	20.7	25.9	38.7	46.2	51.3	56.3	66.4	71.4	76.4	82.4	88.4	101.5	328
-	-	-	-	-	-	-	-	31.8	37.1	47.4	52.6	57.7	63.8	69.9	83.0	329
-	-	-	-	-	-	26.2	34.1	39.3	44.4	54.6	59.7	64.7	70.8	76.9	89.9	330
■		<b>0.81</b>	<b>0.83</b>	<b>0.86</b>	<b>0.90</b>	<b>0.93</b>	<b>0.97</b>	<b>0.97</b>	<b>0.99</b>	<b>1.02</b>	<b>1.04</b>	<b>1.05</b>	<b>1.06</b>	<b>1.08</b>	<b>1.10</b>	■
18.2	22.3	24.3	26.8	31.9	36.9	49.5	57.0	62.0	67.0	77.0	82.0	87.0	93.0	99.0	112.0	331
16.6	20.7	22.7	25.2	30.3	35.3	47.9	55.4	60.4	65.4	75.4	80.4	85.5	91.5	97.5	110.5	332
-	17.3	19.4	21.9	27.1	32.1	44.7	52.3	57.3	62.3	72.3	77.3	82.3	88.4	94.4	107.4	333
14.4	18.5	20.6	23.1	28.2	33.3	45.9	53.4	58.4	63.4	73.4	78.5	83.5	89.5	95.5	108.5	334
15.6	19.7	21.8	24.3	29.4	34.4	47.0	54.5	59.5	64.5	74.6	79.6	84.6	90.6	96.6	109.6	335
■	<b>0.81</b>	<b>0.84</b>	<b>0.85</b>	<b>0.87</b>	<b>0.90</b>	<b>0.93</b>	<b>0.98</b>	<b>1.00</b>	<b>1.01</b>	<b>1.03</b>	<b>1.05</b>	<b>1.06</b>	<b>1.07</b>	<b>1.08</b>	<b>1.10</b>	<b>1.12</b> ■
17.4	21.5	23.5	26.1	31.1	36.1	48.7	56.2	61.2	66.2	76.2	81.2	86.3	92.3	98.3	111.3	336
-	-	-	-	-	23.1	36.0	43.6	48.7	53.7	63.8	68.8	73.9	79.9	85.9	98.9	337
18.9	22.9	24.9	27.5	32.5	37.5	50.1	57.6	62.6	67.6	77.6	82.6	87.6	93.6	99.6	112.6	338
-	-	-	-	-	-	30.8	38.5	43.6	48.7	58.8	63.9	68.9	75.0	81.0	94.1	339
-	-	-	-	-	23.2	36.2	43.8	48.9	53.9	64.0	69.0	74.0	80.1	86.1	99.1	340
■	<b>0.82</b>	<b>0.85</b>	<b>0.87</b>	<b>0.88</b>	<b>0.91</b>	<b>0.90</b>	<b>0.95</b>	<b>0.98</b>	<b>1.00</b>	<b>1.01</b>	<b>1.04</b>	<b>1.05</b>	<b>1.06</b>	<b>1.08</b>	<b>1.09</b>	<b>1.11</b> ■
-	-	16.2	18.8	24.0	29.2	41.8	49.4	54.4	59.5	69.5	74.5	79.5	85.5	91.6	104.6	341
-	-	-	-	21.0	26.2	39.0	46.6	51.6	56.7	66.7	71.8	76.8	82.8	88.8	101.9	342
-	-	-	-	-	-	26.7	34.6	39.8	44.9	55.1	60.2	65.2	71.3	77.4	90.5	343
-	-	-	-	-	-	-	-	-	-	37.8	43.2	49.6	55.9	69.3	344	
-	-	-	-	-	-	-	-	32.4	37.7	48.1	53.3	58.4	64.5	70.6	83.7	345
■	<b>0.80</b>	<b>0.83</b>	<b>0.86</b>	<b>0.90</b>	<b>0.93</b>	<b>0.97</b>	<b>0.97</b>	<b>0.99</b>	<b>1.02</b>	<b>1.01</b>	<b>1.03</b>	<b>1.05</b>	<b>1.06</b>	<b>1.09</b>	■	
18.4	22.5	24.5	27.0	32.1	37.1	49.6	57.2	62.2	67.2	77.2	82.2	87.2	93.2	99.2	112.2	346
17.6	21.7	23.7	26.2	31.3	36.3	48.9	56.4	61.4	66.4	76.4	81.4	86.4	92.4	98.4	111.5	347
15.8	19.9	22.0	24.5	29.6	34.6	47.2	54.7	59.8	64.8	74.8	79.8	84.8	90.8	96.8	109.8	348
16.8	20.9	22.9	25.4	30.5	35.5	48.1	55.6	60.6	65.7	75.7	80.7	85.7	91.7	97.7	110.7	349
-	17.6	19.7	22.2	27.3	32.4	45.0	52.6	57.6	62.6	72.6	77.6	82.6	88.7	94.7	107.7	350
■	<b>0.81</b>	<b>0.84</b>	<b>0.86</b>	<b>0.87</b>	<b>0.90</b>	<b>0.93</b>	<b>0.98</b>	<b>1.00</b>	<b>1.01</b>	<b>1.03</b>	<b>1.05</b>	<b>1.06</b>	<b>1.07</b>	<b>1.08</b>	<b>1.10</b>	<b>1.12</b> ■

▲ Not all available belt lengths are shown.

■ Combined Arc-Length correction factors for 5 preceding lines.



# 5VX & 5V Belts In 5V Sheaves

## Drive selection tables

LINE #	RATIO	STOCK SHEAVES			DRIVEN SPEEDS AND HORSEPOWER RATINGS PER BELT								
		Datum Diameter		Number Grooves	1160 RPM			1750 RPM			3500 RPM		
		DR	DN		Driven Speed	H.P. Ratings		Driven Speed	H.P. Ratings		Driven Speed	H.P. Ratings	
						5VX	5V		5VX	5V		5VX	5V
351	2.72	10.30	28.00	2-10	427	25.26	22.18	644	35.51	30.03	-	-	-
352	2.73	5.50	15.00	2-6	425	10.74	8.17	642	15.28	11.24	1283	26.10	16.64
353	2.78	8.50	23.60	2-10	418	19.97	17.13	630	28.30	23.52	-	-	-
354	2.79	11.30	31.50	3-10	416	28.12	24.88	628	39.32	33.34	-	-	-
355	2.79	6.70	18.70	2-6	416	14.49	11.83	627	20.63	16.35	1254	34.67	23.73
356	2.83	7.50	21.20	2-10	410	16.95	14.22	619	24.09	19.61	-	-	-
357	2.84	4.65	13.20	2-6	409	8.04	5.52	616	11.39	7.48	1233	19.48	10.78
358	2.84	4.40	12.50	2-6	408	7.24	4.73	616	10.23	6.35	1232	17.45	8.93
359	2.84	13.20	37.50	3-10	408	33.40	29.77	616	46.09	38.93	-	-	-
360	2.86	4.90	14.00	2-6	406	8.84	6.31	613	12.55	8.60	1225	21.48	12.57
361	2.87	9.75	28.00	2-10	404	23.66	20.66	609	33.36	28.12	-	-	-
362	2.88	5.20	15.00	2-6	402	9.80	7.25	607	13.92	9.93	1213	23.82	14.65
363	2.89	10.90	31.50	3-10	401	26.99	23.81	606	37.82	32.05	-	-	-
364	2.91	5.50	16.00	2-6	399	10.75	8.18	602	15.29	11.25	1203	26.11	16.65
365	2.95	8.00	23.60	2-10	393	18.47	15.69	593	26.22	21.60	-	-	-
366	2.97	6.30	18.70	2-6	391	13.26	10.63	590	18.87	14.68	1179	31.94	21.55
367	2.99	7.10	21.20	2-10	388	15.73	13.04	586	22.38	18.00	1172	37.32	25.76
368	3.00	4.40	13.20	2-6	387	7.24	4.74	583	10.23	6.35	1167	17.46	8.94
369	3.00	12.50	37.50	3-10	387	31.49	28.01	583	43.67	36.99	-	-	-
370	3.01	4.65	14.00	2-6	385	8.04	5.53	581	11.40	7.48	1163	19.49	10.79
371	3.03	9.25	28.00	2-10	383	22.20	19.27	578	31.37	26.33	-	-	-
372	3.06	10.30	31.50	3-10	379	25.27	22.19	572	35.53	30.04	-	-	-
373	3.06	4.90	15.00	2-6	379	8.85	6.31	572	12.55	8.61	1143	21.49	12.59
374	3.08	5.20	16.00	2-6	377	9.80	7.25	569	13.93	9.94	1138	23.83	14.67
375	3.11	9.00	28.00	2-10	373	21.46	18.56	563	30.36	25.41	-	-	-
376	3.13	16.00	50.00	3-10	371	40.78	36.38	-	-	-	-	-	-
377	3.15	7.50	23.60	2-10	369	16.95	14.22	556	24.10	19.62	-	-	-
378	3.16	6.70	21.20	2-6	367	14.50	11.84	553	20.64	16.36	1106	34.69	23.76
379	3.17	5.90	18.70	2-6	366	12.01	9.42	552	17.10	12.99	1104	29.09	19.20
380	3.18	11.80	37.50	3-10	365	29.54	26.20	551	41.17	34.91	-	-	-
381	3.18	4.40	14.00	2-6	365	7.24	4.74	550	10.24	6.36	1100	17.47	8.95
382	3.23	4.65	15.00	2-6	360	8.05	5.53	543	11.40	7.49	1085	19.50	10.80
383	3.23	9.75	31.50	3-10	359	23.67	20.67	542	33.37	28.13	-	-	-
384	3.27	4.90	16.00	2-6	355	8.85	6.32	536	12.56	8.61	1072	21.50	12.60
385	3.29	8.50	28.00	2-10	352	19.97	17.14	531	28.31	23.54	-	-	-
386	3.32	11.30	37.50	3-10	350	28.13	24.89	527	39.33	33.35	-	-	-
387	3.32	7.10	23.60	2-10	349	15.73	13.04	526	22.38	18.01	1053	37.33	25.78
388	3.33	15.00	50.00	3-10	348	38.21	34.11	-	-	-	-	-	-
389	3.37	6.30	21.20	2-6	345	13.26	10.64	520	18.88	14.69	1040	31.96	21.57
390	3.40	5.50	18.70	2-6	341	10.76	8.19	515	15.30	11.26	1029	26.14	16.68
391	3.41	9.25	31.50	3-10	341	22.20	19.28	514	31.38	26.34	-	-	-
392	3.41	4.40	15.00	2-6	340	7.25	4.74	513	10.24	6.37	1027	17.48	8.96
393	3.44	10.90	37.50	3-10	337	27.00	23.82	509	37.83	32.06	-	-	-
394	3.44	4.65	16.00	2-6	337	8.05	5.53	509	11.40	7.50	1017	19.51	10.81
395	3.50	8.00	28.00	2-10	331	18.47	15.70	500	26.23	21.61	-	-	-
396	3.50	9.00	31.50	3-10	331	21.47	18.57	500	30.37	25.42	-	-	-
397	3.52	6.70	23.60	2-6	329	14.50	11.85	497	20.65	16.37	994	34.71	23.77
398	3.57	14.00	50.00	3-10	325	35.57	31.75	490	48.76	41.01	-	-	-
399	3.59	5.90	21.20	2-6	323	12.02	9.42	487	17.10	12.99	974	29.11	19.22
400	3.60	5.20	18.70	2-6	323	9.81	7.26	487	13.94	9.95	973	23.85	14.69

Shaded area diameters are below industry standard for belt.

# 5VX & 5V Belts In 5V Sheaves

## Drive selection tables

CENTER DISTANCE AND COMBINED ARC-LENGTH CORRECTION FACTOR ▲																
5VX 750	5VX 800	5VX 900	5VX 1000	5VX 1250	5VX 1400	5VX 1500	5VX 1600	5VX 1800	5VX 1900	5VX 2000	5V 2120	5V 2240	5V 2500	5V 2800	5V 3150	LINE #
-	-	-	-	31.2	38.9	44.0	49.1	59.3	64.3	69.4	75.4	81.4	94.5	109.6	127.1	351
20.9	23.4	28.5	33.6	46.2	53.7	58.7	63.7	73.7	78.8	83.8	89.8	95.8	108.8	123.8	141.3	352
-	-	-	23.6	36.5	44.1	49.2	54.3	64.3	69.4	74.4	80.4	86.5	99.5	114.5	132.1	353
-	-	-	-	27.0	34.9	40.1	45.3	55.5	60.5	65.6	71.7	77.7	90.8	105.9	123.5	354
16.5	19.1	24.3	29.4	42.1	49.7	54.7	59.7	69.8	74.8	79.8	85.8	91.9	104.9	119.9	137.4	355
■ 0.82	■ 0.85	■ 0.88	■ 0.90	■ 0.93	■ 0.97	■ 0.99	■ 1.00	■ 1.03	■ 1.04	■ 1.06	■ 1.07	■ 1.08	■ 1.11	■ 1.13	■ 1.15	■
-	-	21.4	26.6	39.4	47.0	52.0	57.0	67.1	72.1	77.2	83.2	89.2	102.2	117.3	134.8	356
23.1	25.6	30.7	35.7	48.3	55.8	60.8	65.8	75.9	80.9	85.9	91.9	97.9	110.9	125.9	143.4	357
23.9	26.4	31.5	36.5	49.1	56.6	61.6	66.6	76.6	81.6	86.6	92.6	98.6	111.7	126.7	144.2	358
-	-	-	-	-	-	32.9	38.3	48.7	53.8	58.9	65.0	71.1	84.3	99.4	117.0	359
22.2	24.7	29.8	34.9	47.4	55.0	60.0	65.0	75.0	80.0	85.0	91.0	97.0	110.1	125.1	142.6	360
■ 0.86	■ 0.87	■ 0.89	■ 0.92	■ 0.97	■ 1.00	■ 0.99	■ 1.01	■ 1.04	■ 1.05	■ 1.06	■ 1.07	■ 1.09	■ 1.11	■ 1.13	■ 1.16	■
-	-	-	-	31.5	39.3	44.4	49.5	59.7	64.7	69.8	75.8	81.8	94.9	110.0	127.5	361
21.1	23.6	28.7	33.8	46.4	53.9	58.9	63.9	74.0	79.0	84.0	90.0	96.0	109.0	124.0	141.6	362
-	-	-	-	27.3	35.2	40.4	45.5	55.7	60.8	65.9	72.0	78.0	91.1	106.2	123.8	363
19.9	22.5	27.6	32.7	45.3	52.9	57.9	62.9	72.9	77.9	82.9	89.0	95.0	108.0	123.0	140.5	364
-	-	18.5	23.9	36.9	44.5	49.6	54.6	64.7	69.7	74.8	80.8	86.8	99.9	114.9	132.5	365
■ 0.84	■ 0.86	■ 0.86	■ 0.90	■ 0.93	■ 0.97	■ 0.99	■ 1.00	■ 1.03	■ 1.04	■ 1.06	■ 1.07	■ 1.08	■ 1.11	■ 1.13	■ 1.15	■
16.7	19.4	24.6	29.7	42.4	50.0	55.0	60.0	70.1	75.1	80.1	86.1	92.2	105.2	120.2	137.7	366
-	-	21.6	26.8	39.6	47.2	52.3	57.3	67.4	72.4	77.5	83.5	89.5	102.5	117.6	135.1	367
23.3	25.8	30.9	35.9	48.5	56.0	61.0	66.0	76.0	81.1	86.1	92.1	98.1	111.1	126.1	143.6	368
-	-	-	-	-	27.9	33.4	38.7	49.1	54.3	59.4	65.5	71.6	84.8	99.9	117.6	369
22.4	24.9	30.0	35.0	47.6	55.2	60.2	65.2	75.2	80.2	85.2	91.2	97.2	110.3	125.3	142.8	370
■ 0.84	■ 0.86	■ 0.88	■ 0.91	■ 0.96	■ 0.97	■ 0.99	■ 1.00	■ 1.03	■ 1.05	■ 1.06	■ 1.07	■ 1.08	■ 1.11	■ 1.13	■ 1.15	■
-	-	-	-	31.9	39.6	44.8	49.9	60.0	65.1	70.1	76.2	82.2	95.3	110.3	127.9	371
-	-	-	-	27.6	35.6	40.8	45.9	56.2	61.3	66.3	72.4	78.5	91.6	106.6	124.2	372
21.3	23.8	28.9	34.0	46.6	54.1	59.2	64.2	74.2	79.2	84.2	90.2	96.2	109.3	124.3	141.8	373
20.1	22.7	27.8	32.9	45.5	53.1	58.1	63.1	73.2	78.2	83.2	89.2	95.2	108.2	123.2	140.7	374
-	-	-	-	32.0	39.8	44.9	50.0	60.2	65.2	70.3	76.3	82.4	95.5	110.5	128.1	375
■ 0.84	■ 0.86	■ 0.89	■ 0.92	■ 0.93	■ 0.96	■ 0.98	■ 1.00	■ 1.03	■ 1.04	■ 1.05	■ 1.07	■ 1.08	■ 1.10	■ 1.13	■ 1.15	■
-	-	-	-	-	-	-	-	-	39.5	44.9	51.3	57.7	71.1	86.5	104.3	376
-	-	18.9	24.2	37.2	44.9	49.9	55.0	65.1	70.1	75.1	81.2	87.2	100.3	115.3	132.8	377
-	16.5	21.9	27.1	39.9	47.5	52.6	57.6	67.7	72.7	77.7	83.8	89.8	102.8	117.9	135.4	378
17.0	19.6	24.9	30.0	42.7	50.3	55.3	60.3	70.4	75.4	80.4	86.4	92.5	105.5	120.5	138.0	379
-	-	-	-	-	28.4	33.8	39.2	49.6	54.8	59.9	66.0	72.1	85.3	100.5	118.1	380
■ 0.80	■ 0.80	■ 0.84	■ 0.88	■ 0.95	■ 0.95	■ 0.97	■ 0.99	■ 1.02	■ 1.01	■ 1.03	■ 1.05	■ 1.06	■ 1.09	■ 1.12	■ 1.14	■
22.5	25.1	30.2	35.2	47.8	55.3	60.4	65.4	75.4	80.4	85.4	91.4	97.4	110.4	125.5	143.0	381
21.4	24.0	29.1	34.2	46.8	54.3	59.3	64.4	74.4	79.4	84.4	90.4	96.4	109.4	124.5	142.0	382
-	-	-	-	28.0	36.0	41.2	46.3	56.6	61.6	66.7	72.8	78.9	92.0	107.0	124.6	383
20.3	22.9	28.0	33.1	45.7	53.3	58.3	63.3	73.4	78.4	83.4	89.4	95.4	108.4	123.5	141.0	384
-	-	-	-	32.4	40.1	45.3	50.4	60.5	65.6	70.7	76.7	82.8	95.8	110.9	128.5	385
■ 0.84	■ 0.86	■ 0.89	■ 0.92	■ 0.94	■ 0.97	■ 0.99	■ 1.01	■ 1.03	■ 1.05	■ 1.06	■ 1.07	■ 1.08	■ 1.11	■ 1.13	■ 1.15	■
-	-	-	-	-	28.7	34.2	39.5	50.0	55.1	60.2	66.4	72.5	85.7	100.8	118.4	386
-	-	19.1	24.5	37.5	45.1	50.2	55.3	65.4	70.4	75.4	81.5	87.5	100.5	115.6	133.1	387
-	-	-	-	-	-	-	-	-	40.1	45.6	52.0	58.3	71.8	87.2	105.0	388
-	16.7	22.1	27.4	40.2	47.8	52.9	57.9	68.0	73.0	78.0	84.1	90.1	103.1	118.2	135.7	389
17.2	19.9	25.1	30.3	43.0	50.6	55.6	60.6	70.7	75.7	80.7	86.7	92.8	105.8	120.8	138.3	390
■ 0.79	■ 0.80	■ 0.84	■ 0.88	■ 0.95	■ 0.95	■ 0.97	■ 0.99	■ 1.02	■ 1.01	■ 1.03	■ 1.05	■ 1.06	■ 1.09	■ 1.12	■ 1.14	■
-	-	-	-	28.3	36.3	41.5	46.7	56.9	62.0	67.1	73.1	79.2	92.3	107.4	125.0	391
21.6	24.2	29.3	34.4	47.0	54.5	59.5	64.5	74.6	79.6	84.6	90.6	96.6	109.6	124.7	142.2	392
-	-	-	-	-	28.9	34.4	39.8	50.2	55.4	60.5	66.7	72.8	86.0	101.1	118.7	393
20.5	23.1	28.2	33.3	45.9	53.5	58.5	63.5	73.6	78.6	83.6	89.6	95.6	108.6	123.7	141.2	394
-	-	-	-	32.7	40.5	45.6	50.7	60.9	66.0	71.0	77.1	83.1	96.2	111.3	128.8	395
■ 0.84	■ 0.86	■ 0.89	■ 0.92	■ 0.93	■ 0.94	■ 0.97	■ 0.99	■ 1.02	■ 1.03	■ 1.05	■ 1.06	■ 1.07	■ 1.10	■ 1.12	■ 1.15	■
-	-	-	-	28.5	36.5	41.7	46.8	57.1	62.2	67.3	73.3	79.4	92.5	107.6	125.2	396
-	-	19.4	24.8	37.8	45.4	50.5	55.6	65.7	70.7	75.7	81.8	87.8	100.8	115.9	133.4	397
-	-	-	-	-	-	-	-	35.1	40.8	46.2	52.7	59.0	72.5	87.9	105.7	398
-	17.0	22.4	27.7	40.5	48.1	53.2	58.2	68.3	73.3	78.3	84.4	90.4	103.4	118.5	136.0	399
17.4	20.1	25.3	30.5	43.2	50.8	55.8	60.9	70.9	75.9	80.9	87.0	93.0	106.0	121.0	138.6	400
■ 0.79	■ 0.80	■ 0.83	■ 0.88	■ 0.93	■ 0.96	■ 0.98	■ 1.00	■ 1.00	■ 1.02	■ 1.03	■ 1.05	■ 1.06	■ 1.09	■ 1.12	■ 1.14	■

▲ Not all available belt lengths are shown.

■ Combined Arc-Length correction factors for 5 preceding lines.

# 5VX & 5V Belts In 5V Sheaves

## Drive selection tables

LINE #	RATIO	STOCK SHEAVES			DRIVEN SPEEDS AND HORSEPOWER RATINGS PER BELT								
		Datum Diameter		Number Grooves	1160 RPM			1750 RPM			3500 RPM		
		DR	DN		Driven Speed	H.P. Ratings		Driven Speed	H.P. Ratings		Driven Speed	H.P. Ratings	
						5VX	5V		5VX	5V		5VX	5V
401	3.64	4.40	16.00	2-6	319	7.25	4.75	481	10.24	6.37	963	17.48	8.97
402	3.64	10.30	37.50	3-10	319	25.27	22.20	481	35.54	30.06	-	-	-
403	3.71	8.50	31.50	3-10	313	19.98	17.14	472	28.32	23.54	-	-	-
404	3.73	7.50	28.00	2-10	311	16.96	14.23	469	24.11	19.64	-	-	-
405	3.75	6.30	23.60	2-6	310	13.27	10.64	467	18.89	14.70	934	31.97	21.59
406	3.79	13.20	50.00	3-10	306	33.42	29.78	462	46.11	38.95	-	-	-
407	3.82	4.90	18.70	2-6	304	8.85	6.33	459	12.56	8.62	917	21.51	12.62
408	3.85	9.75	37.50	3-10	302	23.68	20.68	455	33.38	28.14	-	-	-
409	3.85	5.50	21.20	2-6	301	10.76	8.19	454	15.30	11.27	908	26.15	16.70
410	3.94	8.00	31.50	3-10	295	18.48	15.70	444	26.23	21.62	-	-	-
411	3.94	7.10	28.00	2-10	294	15.74	13.05	444	22.39	18.02	888	37.35	25.80
412	4.00	5.90	23.60	2-6	290	12.02	9.43	438	17.11	13.00	875	29.12	19.23
413	4.00	12.50	50.00	3-10	290	31.50	28.02	438	43.69	37.01	-	-	-
414	4.02	4.65	18.70	2-6	288	8.05	5.54	435	11.41	7.51	870	19.52	10.83
415	4.05	9.25	37.50	3-10	286	22.21	19.28	432	31.39	26.35	-	-	-
416	4.08	5.20	21.20	2-6	285	9.81	7.27	429	13.94	9.96	858	23.86	14.71
417	4.17	9.00	37.50	3-10	278	21.47	18.58	420	30.37	25.43	-	-	-
418	4.18	6.70	28.00	2-6	278	14.51	11.86	419	20.65	16.38	837	34.72	23.79
419	4.20	7.50	31.50	3-10	276	16.96	14.24	417	24.11	19.64	-	-	-
420	4.24	11.80	50.00	3-10	274	29.55	26.21	413	41.18	34.93	-	-	-
421	4.25	4.40	18.70	2-6	273	7.25	4.75	412	10.25	6.38	824	17.49	8.99
422	4.29	5.50	23.60	2-6	270	10.76	8.20	408	15.31	11.27	816	26.16	16.71
423	4.33	4.90	21.20	2-6	268	8.86	6.33	404	12.57	8.63	809	21.52	12.63
424	4.41	8.50	37.50	3-10	263	19.98	17.15	397	28.32	23.55	-	-	-
425	4.42	11.30	50.00	3-10	262	28.14	24.90	396	39.34	33.37	-	-	-
426	4.44	7.10	31.50	3-10	261	15.74	13.05	394	22.40	18.03	789	37.36	25.81
427	4.44	6.30	28.00	2-6	261	13.27	10.65	394	18.89	14.71	788	31.98	21.60
428	4.54	5.20	23.60	2-6	256	9.81	7.27	386	13.95	9.96	771	23.87	14.72
429	4.56	4.65	21.20	2-6	254	8.06	5.54	384	11.42	7.51	768	19.53	10.84
430	4.59	10.90	50.00	3-10	253	27.00	23.83	381	37.84	32.08	-	-	-
431	4.69	8.00	37.50	3-10	247	18.48	15.70	373	26.24	21.63	-	-	-
432	4.70	6.70	31.50	3-6	247	14.51	11.86	372	20.66	16.38	744	34.73	23.80
433	4.75	5.90	28.00	2-6	244	12.02	9.43	369	17.11	13.01	738	29.13	19.24
434	4.82	4.90	23.60	2-6	241	8.86	6.33	363	12.57	8.63	727	21.53	12.64
435	4.82	4.40	21.20	2-6	241	7.25	4.75	363	10.25	6.38	726	17.50	9.00
436	4.85	10.30	50.00	3-10	239	25.28	22.20	361	35.55	30.07	-	-	-
437	5.00	6.30	31.50	3-6	232	13.27	10.65	350	18.90	14.71	700	31.99	21.61
438	5.00	7.50	37.50	3-10	232	16.97	14.24	350	24.12	19.65	-	-	-
439	5.08	4.65	23.60	2-6	229	8.06	5.55	345	11.42	7.51	690	19.54	10.85
440	5.09	5.50	28.00	2-6	228	10.76	8.20	344	15.31	11.28	688	26.17	16.72
441	5.13	9.75	50.00	3-10	226	23.68	20.69	341	33.39	28.16	-	-	-
442	5.28	7.10	37.50	3-10	220	15.75	13.06	331	22.40	18.03	663	37.36	25.83
443	5.34	5.90	31.50	3-6	217	12.02	9.43	328	17.12	13.01	656	29.13	19.25
444	5.36	4.40	23.60	2-6	216	7.26	4.76	326	10.26	6.39	653	17.51	9.00
445	5.38	5.20	28.00	2-6	215	9.82	7.27	325	13.95	9.97	650	23.88	14.73
446	5.41	9.25	50.00	3-10	215	22.21	19.29	324	31.39	26.36	-	-	-
447	5.56	9.00	50.00	3-10	209	21.48	18.58	315	30.38	25.44	-	-	-
448	5.60	6.70	37.50	3-6	207	14.51	11.86	313	20.66	16.39	625	34.74	23.81
449	5.71	4.90	28.00	2-6	203	8.86	6.33	306	12.58	8.64	613	21.53	12.65
450	5.73	5.50	31.50	3-6	203	10.77	8.20	306	15.32	11.28	611	26.17	16.73

Shaded area diameters are below industry standard for belt.

# 5VX & 5V Belts In 5V Sheaves

## Drive selection tables

CENTER DISTANCE AND COMBINED ARC-LENGTH CORRECTION FACTOR ▲																
5VX	5VX	5VX	5VX	5VX	5VX	5VX	5VX	5VX	5V	5V	5V	5V	5V	5V	5V	LINE
900	1000	1250	1400	1500	1600	1800	1900	2000	2120	2240	2500	2800	3150	3350	3550	#
28.4	33.5	46.1	53.7	58.7	63.7	73.7	78.8	83.8	89.8	95.8	108.8	123.8	141.4	151.4	161.4	401
-	-	-	29.3	34.8	40.2	50.6	55.8	60.9	67.1	73.2	86.4	101.5	119.2	129.2	139.3	402
-	-	28.8	36.8	42.0	47.2	57.4	62.5	67.6	73.7	79.8	92.9	108.0	125.6	135.6	145.6	403
-	-	33.0	40.8	46.0	51.1	61.3	66.3	71.4	77.4	83.5	96.6	111.6	129.2	139.2	149.3	404
19.6	25.0	38.0	45.7	50.8	55.8	65.9	71.0	76.0	82.1	88.1	101.1	116.2	133.7	143.8	153.8	405
■ 0.84	■ 0.88	■ 0.92	■ 0.94	■ 0.96	■ 0.98	■ 1.02	■ 1.03	■ 1.04	■ 1.06	■ 1.07	■ 1.10	■ 1.12	■ 1.15	■ 1.16	■ 1.17	■
-	-	-	-	-	-	35.6	41.3	46.7	53.2	59.5	73.0	88.4	106.3	116.4	126.5	406
25.5	30.7	43.4	51.0	56.0	61.1	71.1	76.2	81.2	87.2	93.2	106.2	121.3	138.8	148.8	158.8	407
-	-	-	29.6	35.2	40.5	51.0	56.2	61.3	67.5	73.6	86.8	101.9	119.6	129.6	139.7	408
22.7	27.9	40.8	48.4	53.5	58.5	68.6	73.6	78.6	84.7	90.7	103.7	118.8	136.3	146.3	156.3	409
-	-	29.1	37.1	42.3	47.5	57.8	62.9	68.0	74.0	80.1	93.2	108.3	125.9	136.0	146.0	410
■ 0.85	■ 0.89	■ 0.92	■ 0.93	■ 0.96	■ 0.98	■ 0.99	■ 1.01	■ 1.02	■ 1.04	■ 1.06	■ 1.09	■ 1.11	■ 1.14	■ 1.15	■ 1.17	■
-	-	33.3	41.1	46.3	51.4	61.5	66.6	71.7	77.7	83.8	96.9	111.9	129.5	139.5	149.6	411
19.9	25.3	38.3	46.0	51.1	56.1	66.2	71.3	76.3	82.4	88.4	101.4	116.5	134.0	144.1	154.1	412
-	-	-	-	-	-	36.0	41.7	47.2	53.6	60.0	73.5	88.9	106.8	116.9	127.0	413
25.7	30.9	43.6	51.2	56.2	61.3	71.3	76.3	81.4	87.4	93.4	106.4	121.5	139.0	149.0	159.0	414
-	-	-	30.0	35.5	40.8	51.3	56.5	61.7	67.8	73.9	87.1	102.3	120.0	130.0	140.1	415
■ 0.83	■ 0.87	■ 0.93	■ 0.94	■ 0.96	■ 0.98	■ 0.99	■ 1.01	■ 1.02	■ 1.04	■ 1.06	■ 1.09	■ 1.11	■ 1.14	■ 1.15	■ 1.17	■
22.9	28.1	41.0	48.6	53.7	58.7	68.8	73.8	78.9	84.9	90.9	104.0	119.0	136.5	146.5	156.6	416
-	-	-	30.1	35.6	41.0	51.5	56.7	61.8	68.0	74.1	87.3	102.5	120.1	130.2	140.3	417
-	19.9	33.6	41.4	46.5	51.6	61.8	66.9	72.0	78.0	84.1	97.2	112.2	129.8	139.8	149.9	418
-	-	29.4	37.4	42.7	47.9	58.1	63.2	68.3	74.4	80.5	93.6	108.7	126.3	136.3	146.4	419
-	-	-	-	-	-	36.5	42.1	47.6	54.1	60.4	74.0	89.4	107.3	117.4	127.5	420
■ 0.84	■ 0.82	■ 0.90	■ 0.92	■ 0.95	■ 0.97	■ 0.98	■ 1.00	■ 1.02	■ 1.04	■ 1.05	■ 1.08	■ 1.11	■ 1.14	■ 1.15	■ 1.16	■
25.9	31.0	43.8	51.4	56.4	61.4	71.5	76.5	81.5	87.6	93.6	106.6	121.6	139.2	149.2	159.2	421
20.1	25.5	38.6	46.3	51.3	56.4	66.5	71.6	76.6	82.6	88.7	101.7	116.8	134.3	144.4	154.4	422
23.1	28.3	41.2	48.8	53.9	58.9	69.0	74.1	79.1	85.1	91.1	104.2	119.2	136.8	146.8	156.8	423
-	-	-	30.4	35.9	41.3	51.8	57.0	62.2	68.3	74.5	87.7	102.8	120.5	130.6	140.6	424
-	-	-	-	-	-	36.8	42.4	48.0	54.4	60.8	74.3	89.8	107.6	117.8	127.9	425
■ 0.83	■ 0.87	■ 0.94	■ 0.94	■ 0.97	■ 0.99	■ 0.99	■ 1.01	■ 1.03	■ 1.04	■ 1.06	■ 1.09	■ 1.11	■ 1.14	■ 1.15	■ 1.17	■
-	-	29.7	37.7	43.0	48.1	58.4	63.5	68.6	74.7	80.8	93.9	109.0	126.6	136.6	146.7	426
-	20.1	33.8	41.6	46.8	51.9	62.1	67.2	72.2	78.3	84.4	97.5	112.5	130.1	140.1	150.2	427
20.3	25.7	38.8	46.5	51.6	56.6	66.7	71.8	76.8	82.9	88.9	102.0	117.0	134.6	144.6	154.6	428
23.2	28.5	41.4	49.0	54.1	59.1	69.2	74.2	79.3	85.3	91.3	104.4	119.4	136.9	147.0	157.0	429
-	-	-	-	-	-	37.0	42.7	48.2	54.7	61.0	74.6	90.0	107.9	118.1	128.2	430
■ 0.81	■ 0.83	■ 0.91	■ 0.95	■ 0.97	■ 0.99	■ 0.99	■ 1.01	■ 1.02	■ 1.04	■ 1.06	■ 1.09	■ 1.11	■ 1.14	■ 1.15	■ 1.17	■
-	-	-	30.7	36.3	41.7	52.2	57.4	62.5	68.7	74.8	88.0	103.2	120.9	130.9	141.0	431
-	-	29.9	38.0	43.2	48.4	58.7	63.8	68.9	75.0	81.0	94.2	109.3	126.9	136.9	147.0	432
-	20.4	34.1	41.9	47.1	52.2	62.4	67.5	72.5	78.6	84.7	97.8	112.8	130.4	140.4	150.5	433
20.5	25.9	39.0	46.7	51.8	56.8	67.0	72.0	77.0	83.1	89.1	102.2	117.2	134.8	144.8	154.8	434
23.4	28.7	41.5	49.2	54.2	59.3	69.4	74.4	79.4	85.5	91.5	104.6	119.6	137.1	147.2	157.2	435
■ 0.81	■ 0.83	■ 0.91	■ 0.93	■ 0.95	■ 0.98	■ 1.01	■ 1.02	■ 1.04	■ 1.05	■ 1.07	■ 1.09	■ 1.12	■ 1.14	■ 1.16	■ 1.17	■
-	-	-	-	-	-	37.4	43.1	48.6	55.1	61.4	75.0	90.5	108.3	118.5	128.6	436
-	-	30.2	38.2	43.5	48.7	59.0	64.1	69.2	75.3	81.3	94.5	109.6	127.2	137.2	147.3	437
-	-	-	31.0	36.6	42.0	52.5	57.7	62.9	69.0	75.2	88.4	103.6	121.2	131.3	141.4	438
20.6	26.1	39.2	46.9	51.9	57.0	67.1	72.2	77.2	83.3	89.3	102.4	117.4	135.0	145.0	155.0	439
-	20.6	34.3	42.2	47.4	52.5	62.7	67.8	72.8	78.9	84.9	98.0	113.1	130.7	140.7	150.8	440
■ 0.79	■ 0.81	■ 0.90	■ 0.92	■ 0.94	■ 0.97	■ 0.98	■ 1.00	■ 1.01	■ 1.03	■ 1.05	■ 1.08	■ 1.11	■ 1.13	■ 1.15	■ 1.16	■
-	-	-	-	-	-	37.7	43.4	48.9	55.4	61.8	75.4	90.8	108.7	118.9	129.0	441
-	-	-	31.3	36.8	42.2	52.8	58.0	63.1	69.3	75.4	88.7	103.9	121.5	131.6	141.7	442
-	-	30.4	38.5	43.8	49.0	59.2	64.4	69.4	75.5	81.6	94.8	109.9	127.5	137.5	147.6	443
20.8	26.3	39.3	47.0	52.1	57.2	67.3	72.4	77.4	83.5	89.5	102.6	117.6	135.2	145.2	155.2	444
-	20.8	34.5	42.4	47.6	52.7	62.9	68.0	73.0	79.1	85.2	98.3	113.4	130.9	141.0	151.0	445
■ 0.79	■ 0.81	■ 0.90	■ 0.92	■ 0.94	■ 0.97	■ 0.97	■ 1.00	■ 1.01	■ 1.03	■ 1.05	■ 1.08	■ 1.11	■ 1.13	■ 1.15	■ 1.16	■
-	-	-	-	-	-	38.0	43.7	49.3	55.7	62.1	75.7	91.2	109.1	119.2	129.4	446
-	-	-	-	-	-	38.2	43.9	49.4	55.9	62.3	75.9	91.4	109.2	119.4	129.5	447
-	-	-	31.5	37.1	42.5	53.1	58.2	63.4	69.6	75.7	89.0	104.1	121.8	131.9	141.9	448
-	21.0	34.7	42.6	47.8	52.9	63.1	68.2	73.2	79.3	85.4	98.5	113.6	131.2	141.2	151.2	449
-	-	30.7	38.8	44.0	49.2	59.5	64.6	69.7	75.8	81.9	95.1	110.2	127.8	137.8	147.9	450
■	■ 0.76	■ 0.88	■ 0.90	■ 0.93	■ 0.96	■ 0.94	■ 0.97	■ 0.99	■ 1.01	■ 1.03	■ 1.07	■ 1.10	■ 1.13	■ 1.14	■ 1.15	■

▲ Not all available belt lengths are shown.

■ Combined Arc-Length correction factors for 5 preceding lines.

# 5VX & 5V Belts In 5V Sheaves

## Drive selection tables

LINE #	RATIO	STOCK SHEAVES			DRIVEN SPEEDS AND HORSEPOWER RATINGS PER BELT								
		Datum Diameter		Number Grooves	1160 RPM			1750 RPM			3500 RPM		
		DR	DN		Driven Speed	H.P. Ratings		Driven Speed	H.P. Ratings		Driven Speed	H.P. Ratings	
						5VX	5V		5VX	5V		5VX	5V
451	5.88	8.50	50.00	3-10	197	19.99	17.16	298	28.33	23.56	-	-	-
452	5.95	6.30	37.50	3-6	195	13.27	10.65	294	18.90	14.72	588	31.99	21.62
453	6.02	4.65	28.00	2-6	193	8.06	5.55	291	11.42	7.52	581	19.54	10.86
454	6.06	5.20	31.50	3-6	191	9.82	7.27	289	13.95	9.97	578	23.88	14.73
455	6.25	8.00	50.00	3-10	186	18.49	15.71	280	26.24	21.63	-	-	-
456	6.36	5.90	37.50	3-6	183	12.03	9.44	275	17.12	13.01	551	29.14	19.26
457	6.36	4.40	28.00	2-6	182	7.26	4.76	275	10.26	6.39	550	17.51	9.01
458	6.43	4.90	31.50	3-6	180	8.86	6.34	272	12.58	8.64	544	21.54	12.65
459	6.67	7.50	50.00	3-10	174	16.97	14.25	263	24.12	19.66	-	-	-
460	6.77	4.65	31.50	3-6	171	8.06	5.55	258	11.42	7.52	517	19.54	10.86
461	6.82	5.50	37.50	3-6	170	10.77	8.21	257	15.32	11.29	513	26.17	16.73
462	7.04	7.10	50.00	3-10	165	15.75	13.06	249	22.40	18.04	497	37.37	25.84
463	7.16	4.40	31.50	3-6	162	7.26	4.76	244	10.26	6.39	489	17.51	9.02
464	7.21	5.20	37.50	3-6	161	9.82	7.28	243	13.95	9.97	485	23.89	14.74
465	7.46	6.70	50.00	3-6	155	14.52	11.87	234	20.66	16.39	469	34.74	23.82
466	7.65	4.90	37.50	3-6	152	8.86	6.34	229	12.58	8.64	457	21.54	12.66
467	7.94	6.30	50.00	3-6	146	13.28	10.66	221	18.90	14.72	441	32.00	21.63
468	8.06	4.65	37.50	3-6	144	8.06	5.55	217	11.42	7.52	434	19.55	10.87
469	8.47	5.90	50.00	3-6	137	12.03	9.44	207	17.12	13.02	413	29.14	19.26
470	8.52	4.40	37.50	3-6	136	7.26	4.76	205	10.26	6.39	411	17.52	9.02
471	9.09	5.50	50.00	3-6	128	10.77	8.21	193	15.32	11.29	385	26.18	16.74
472	9.62	5.20	50.00	3-6	121	9.82	7.28	182	13.96	9.97	364	23.89	14.74
473	10.20	4.90	50.00	3-6	114	8.86	6.34	172	12.58	8.64	343	21.55	12.66
474	10.75	4.65	50.00	3-6	108	8.06	5.55	163	11.43	7.53	326	19.55	10.87
475	11.36	4.40	50.00	3-6	102	7.26	4.76	154	10.26	6.40	308	17.52	9.02

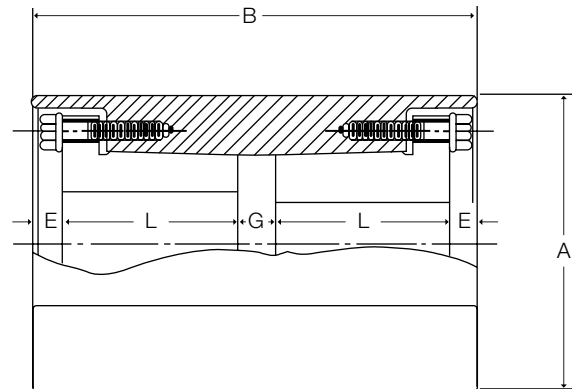
Shaded area diameters are below industry standard for belt.

## Dimensions

This coupling is designed to provide a simple method of rigidly connecting two pieces of shafting. The standard Sure-Grip tapered bushing is used, one on each shaft, to securely clamp the two shafts together. The precision tapered fit lines up the two shafts. No press or shrink fits are necessary.



**SURE-GRIP RIGID NO.44**



Product No.	Max. RPM	Maximum Bore		Bushing †	DIMENSIONS					Weight Including Bushing
		Light (1) Loads	Heavy (2) Loads		A	B	E	G	L	
44SD	6200	1-13/16	1-7/16	SD	4	4-5/8	3/8	1/4	1-13/16	11
44SF	4500	2-3/8	1-7/8	SF	5-1/2	5-1/4	1/2	1/4	2	22
44E	3600	2-15/16	2-1/4	E	6-7/8	6-3/4	5/8	1/4	2-5/8	54
44J	3000	3-13/16	3	J	8-1/4	11	3/4	1/2	4-1/2	122
44M	2450	4-3/4	3-11/16	M*	10	16	1	1/2	6-3/4	270

† Dimensions for Sure-Grip bushings are given on page A1 – 3.

\* Bushing M is not stocked with drilled holes for the above type mounting and will be made-to-order.

(1) Max Shaft Stress < 8500 psi.

(2) Max Shaft Stress < 4000 psi.

$$\text{Axial Thrust Capacity} = \frac{\text{Bushing Torque Capacity}}{\text{Radius of Shaft}}$$

# 8VX & 8V Belts In 8V Sheaves

## Drive selection tables

LINE #	RATIO	STOCK SHEAVES			DRIVEN SPEEDS AND HORSEPOWER RATINGS PER BELT					
		Datum Diameter		Number Grooves	870 MOTOR		1160 MOTOR		1750 MOTOR	
		DR	DN		Driven Speed	H.P. Ratings	Driven Speed	H.P. Ratings	Driven Speed	H.P. Ratings
1	1.00	12.50	12.50	4-6,8,10,12	870	36.11	1160	43.93	1750	52.44
2	1.00	13.20	13.20	4-6,8,10,12	870	39.97	1160	48.58	1750	57.56
3	1.00	14.00	14.00	4-6,8,10,12	870	44.32	1160	53.76	1750	62.97
4	1.00	15.00	15.00	4-6,8,10,12	870	49.64	1160	60.00	-	-
5	1.00	16.00	16.00	4-6,8,10,12	870	54.84	1160	65.99	-	-
6	1.00	17.00	17.00	4-6,8,10,12	870	59.91	1160	71.70	-	-
7	1.00	18.00	18.00	4-6,8,10,12	870	64.85	1160	77.12	-	-
8	1.00	19.00	19.00	4-6,8,10,12	870	69.65	1160	82.25	-	-
9	1.00	20.00	20.00	4-6,8,10,12	870	74.31	1160	87.06	-	-
10	1.00	21.20	21.20	4-6,8,10,12	870	79.71	1160	92.41	-	-
11	1.00	22.40	22.40	4-6,8,10,12	870	84.88	-	-	-	-
12	1.00	24.80	24.80	4-6,8,10,12	870	94.54	-	-	-	-
13	1.05	19.00	20.00	4-6,8,10,12	827	70.64	1102	83.57	-	-
14	1.06	18.00	19.00	4-6,8,10,12	824	65.89	1099	78.51	-	-
15	1.06	12.50	13.20	4-6,8,10,12	824	37.16	1098	45.32	1657	54.54
16	1.06	21.20	22.40	4-6,8,10,12	823	80.76	1098	93.82	-	-
17	1.06	17.00	18.00	4-6,8,10,12	822	61.00	1096	73.16	-	-
18	1.06	20.00	21.20	4-6,8,10,12	821	75.42	1094	88.54	-	-
19	1.06	13.20	14.00	4-6,8,10,12	820	41.09	1094	50.08	1650	59.81
20	1.06	16.00	17.00	4-6,8,10,12	819	55.99	1092	67.52	-	-
21	1.07	15.00	16.00	4-6,8,10,12	816	50.85	1088	61.63	-	-
22	1.07	14.00	15.00	4-6,8,10,12	812	45.60	1083	55.48	1633	65.56
23	1.11	22.40	24.80	4-6,8,10,12	786	86.66	-	-	-	-
24	1.11	18.00	20.00	4-6,8,10,12	783	66.67	1044	79.56	-	-
25	1.12	19.00	21.20	4-6,8,10,12	780	71.53	1040	84.76	-	-
26	1.12	17.00	19.00	4-6,8,10,12	778	61.82	1038	74.24	-	-
27	1.12	12.50	14.00	4-6,8,10,12	777	38.05	1036	46.51	1563	56.33
28	1.12	20.00	22.40	4-6,8,10,12	777	76.24	1036	89.64	-	-
29	1.13	16.00	18.00	4-6,8,10,12	773	56.83	1031	68.65	-	-
30	1.13	15.00	17.00	4-6,8,10,12	768	51.73	1024	62.79	-	-
31	1.14	13.20	15.00	4-6,8,10,12	766	42.09	1021	51.41	1540	61.83
32	1.14	14.00	16.00	4-6,8,10,12	761	46.51	1015	56.68	1531	67.37
33	1.17	21.20	24.80	4-6,8,10,12	744	82.16	992	95.68	-	-
34	1.18	17.00	20.00	4-6,8,10,12	739	62.43	986	75.06	-	-
35	1.18	18.00	21.20	4-6,8,10,12	739	67.38	985	80.50	-	-
36	1.18	19.00	22.40	4-6,8,10,12	738	72.19	984	85.64	-	-
37	1.19	16.00	19.00	4-6,8,10,12	733	57.45	977	69.48	-	-
38	1.20	12.50	15.00	4-6,8,10,12	725	38.83	967	47.55	1458	57.91
39	1.20	15.00	18.00	4-6,8,10,12	725	52.36	967	63.63	-	-
40	1.21	24.80	30.00	4-6,8,10,12	719	97.33	-	-	-	-
41	1.21	13.20	16.00	4-6,8,10,12	718	42.79	957	52.33	1444	63.22
42	1.21	14.00	17.00	4-6,8,10,12	716	47.15	955	57.53	1441	68.66
43	1.24	20.00	24.80	4-6,8,10,12	702	77.32	935	91.08	-	-
44	1.24	18.00	22.40	4-6,8,10,12	699	67.89	932	81.18	-	-
45	1.25	17.00	21.20	4-6,8,10,12	698	62.96	930	75.78	-	-
46	1.25	16.00	20.00	4-6,8,10,12	696	57.91	928	70.09	-	-
47	1.27	15.00	19.00	4-6,8,10,12	687	52.82	916	64.24	-	-
48	1.28	12.50	16.00	4-6,8,10,12	680	39.37	906	48.27	1367	58.99
49	1.29	14.00	18.00	4-6,8,10,12	677	47.60	902	58.14	1361	69.58
50	1.29	13.20	17.00	4-6,8,10,12	676	43.27	901	52.98	1359	64.19



# 8VX & 8V Belts In 8V Sheaves

## Drive selection tables

CENTER DISTANCE AND COMBINED ARC-LENGTH CORRECTION FACTOR ▲																
8VX 1060	8VX 1120	8VX 1180	8VX 1250	8VX 1320	8VX 1400	8VX 1500	8VX 1600	8VX 1700	8VX 1800	8VX 1900	8VX 2000	8V 2240	8V 2500	8V 2800	8V 3000	LINE #
33.4	36.4	39.4	42.9	46.4	50.4	55.4	60.4	65.4	70.4	75.4	80.4	92.4	105.4	120.4	130.4	1
32.3	35.3	38.3	41.8	45.3	49.3	54.3	59.3	64.3	69.3	74.3	79.3	91.3	104.3	119.3	129.3	2
31.0	34.0	37.0	40.5	44.0	48.0	53.0	58.0	63.0	68.0	73.0	78.0	90.0	103.0	118.0	128.0	3
29.4	32.4	35.4	38.9	42.4	46.4	51.4	56.4	61.4	66.4	71.4	76.4	88.4	101.4	116.4	126.4	4
27.9	30.9	33.9	37.4	40.9	44.9	49.9	54.9	59.9	64.9	69.9	74.9	86.9	99.9	114.9	124.9	5
■ 0.86	0.87	0.88	0.89	0.90	0.91	0.92	0.93	0.94	0.95	0.96	0.96	0.98	1.00	1.02	1.03	■
26.3	29.3	32.3	35.8	39.3	43.3	48.3	53.3	58.3	63.3	68.3	73.3	85.3	98.3	113.3	123.3	6
24.7	27.7	30.7	34.2	37.7	41.7	46.7	51.7	56.7	61.7	66.7	71.7	83.7	96.7	111.7	121.7	7
23.2	26.2	29.2	32.7	36.2	40.2	45.2	50.2	55.2	60.2	65.2	70.2	82.2	95.2	110.2	120.2	8
-	24.6	27.6	31.1	34.6	38.6	43.6	48.6	53.6	58.6	63.6	68.6	80.6	93.6	108.6	118.6	9
-	-	25.7	29.2	32.7	36.7	41.7	46.7	51.7	56.7	61.7	66.7	78.7	91.7	106.7	116.7	10
■ 0.86	0.87	0.88	0.89	0.90	0.91	0.92	0.93	0.94	0.95	0.96	0.96	0.98	1.00	1.02	1.03	■
-	-	-	27.3	30.8	34.8	39.8	44.8	49.8	54.8	59.8	64.8	76.8	89.8	104.8	114.8	11
-	-	-	-	-	31.0	36.0	41.0	46.0	51.0	56.0	61.0	73.0	86.0	101.0	111.0	12
-	25.4	28.4	31.9	35.4	39.4	44.4	49.4	54.4	59.4	64.4	69.4	81.4	94.4	109.4	119.4	13
23.9	26.9	29.9	33.4	36.9	40.9	45.9	50.9	55.9	60.9	65.9	70.9	82.9	95.9	110.9	120.9	14
32.8	35.8	38.8	42.3	45.8	49.8	54.8	59.8	64.8	69.8	74.8	79.8	91.8	104.8	119.8	129.8	15
■ 0.86	0.86	0.87	0.88	0.89	0.90	0.92	0.93	0.94	0.95	0.95	0.96	0.98	1.00	1.02	1.03	■
-	-	-	28.3	31.8	35.8	40.8	45.8	50.8	55.8	60.8	65.8	77.8	90.8	105.8	115.8	16
25.5	28.5	31.5	35.0	38.5	42.5	47.5	52.5	57.5	62.5	67.5	72.5	84.5	97.5	112.5	122.5	17
-	-	26.6	30.1	33.6	37.6	42.6	47.6	52.6	57.6	62.6	67.6	79.6	92.6	107.6	117.6	18
31.6	34.6	37.6	41.1	44.6	48.6	53.6	58.6	63.6	68.6	73.6	78.6	90.6	103.6	118.6	128.6	19
27.1	30.1	33.1	36.6	40.1	44.1	49.1	54.1	59.1	64.1	69.1	74.1	86.1	99.1	114.1	124.1	20
■ 0.86	0.87	0.87	0.88	0.89	0.90	0.91	0.92	0.93	0.94	0.95	0.96	0.98	1.00	1.02	1.03	■
28.6	31.6	34.6	38.1	41.6	45.6	50.7	55.7	60.7	65.7	70.7	75.7	87.7	100.7	115.7	125.7	21
30.2	33.2	36.2	39.7	43.2	47.2	52.2	57.2	62.2	67.2	72.2	77.2	89.2	102.2	117.2	127.2	22
-	-	-	-	28.9	32.9	37.9	42.9	47.9	52.9	57.9	62.9	74.9	87.9	102.9	112.9	23
23.1	26.1	29.1	32.6	36.1	40.1	45.1	50.1	55.1	60.1	65.1	70.1	82.1	95.1	110.2	120.2	24
-	24.4	27.4	30.9	34.4	38.4	43.4	48.4	53.4	58.4	63.4	68.4	80.4	93.4	108.4	118.4	25
■ 0.85	0.86	0.87	0.88	0.89	0.90	0.91	0.92	0.93	0.94	0.95	0.96	0.98	1.00	1.02	1.03	■
24.7	27.7	30.7	34.2	37.7	41.7	46.7	51.7	56.7	61.7	66.7	71.7	83.7	96.7	111.7	121.7	26
32.2	35.2	38.2	41.7	45.2	49.2	54.2	59.2	64.2	69.2	74.2	79.2	91.2	104.2	119.2	129.2	27
-	-	25.7	29.2	32.7	36.7	41.7	46.7	51.7	56.7	61.7	66.7	78.7	91.7	106.7	116.7	28
26.3	29.3	32.3	35.8	39.3	43.3	48.3	53.3	58.3	63.3	68.3	73.3	85.3	98.3	113.3	123.3	29
27.8	30.9	33.9	37.4	40.9	44.9	49.9	54.9	59.9	64.9	69.9	74.9	86.9	99.9	114.9	124.9	30
■ 0.85	0.86	0.87	0.88	0.89	0.90	0.91	0.92	0.93	0.94	0.95	0.96	0.98	1.00	1.02	1.03	■
30.8	33.8	36.8	40.3	43.8	47.8	52.8	57.8	62.8	67.8	72.8	77.8	89.8	102.8	117.8	127.8	31
29.4	32.4	35.4	38.9	42.4	46.4	51.4	56.4	61.4	66.4	71.4	76.4	88.4	101.4	116.4	126.4	32
-	-	-	-	29.8	33.8	38.8	43.8	48.8	53.8	58.8	63.8	75.8	88.8	103.8	113.8	33
23.9	26.9	29.9	33.4	36.9	40.9	45.9	50.9	55.9	60.9	65.9	70.9	82.9	95.9	110.9	120.9	34
-	25.2	28.2	31.7	35.2	39.2	44.2	49.2	54.2	59.2	64.2	69.2	81.2	94.2	109.2	119.2	35
■ 0.85	0.86	0.87	0.88	0.89	0.90	0.91	0.92	0.93	0.94	0.95	0.96	0.98	1.00	1.02	1.03	■
-	-	26.4	29.9	33.4	37.4	42.5	47.5	52.5	57.5	62.5	67.5	79.5	92.5	107.5	117.5	36
25.5	28.5	31.5	35.0	38.5	42.5	47.5	52.5	57.5	62.5	67.5	72.5	84.5	97.5	112.5	122.5	37
31.4	34.4	37.4	40.9	44.4	48.4	53.4	58.4	63.4	68.4	73.4	78.4	90.4	103.4	118.4	128.4	38
27.0	30.0	33.0	36.6	40.1	44.1	49.1	54.1	59.1	64.1	69.1	74.1	86.1	99.1	114.1	124.1	39
-	-	-	-	-	-	31.9	36.9	41.9	46.9	51.9	56.9	68.9	81.9	96.9	106.9	40
■ 0.85	0.86	0.87	0.88	0.89	0.90	0.91	0.92	0.93	0.94	0.95	0.96	0.98	1.00	1.01	1.03	■
30.0	33.0	36.0	39.5	43.0	47.0	52.0	57.0	62.1	67.1	72.1	77.1	89.1	102.1	117.1	127.1	41
28.6	31.6	34.6	38.1	41.6	45.6	50.6	55.6	60.6	65.6	70.6	75.6	87.6	100.6	115.6	125.6	42
-	-	-	27.2	30.7	34.7	39.7	44.7	49.8	54.8	59.8	64.8	76.8	89.8	104.8	114.8	43
-	24.2	27.2	30.7	34.2	38.2	43.2	48.2	53.2	58.2	63.2	68.2	80.2	93.2	108.2	118.2	44
22.9	25.9	28.9	32.4	35.9	39.9	44.9	50.0	55.0	60.0	65.0	70.0	82.0	95.0	110.0	120.0	45
■ 0.84	0.85	0.86	0.87	0.88	0.89	0.91	0.92	0.93	0.94	0.95	0.96	0.98	0.99	1.01	1.03	■
24.6	27.7	30.7	34.2	37.7	41.7	46.7	51.7	56.7	61.7	66.7	71.7	83.7	96.7	111.7	121.7	46
26.2	29.2	32.2	35.7	39.2	43.3	48.3	53.3	58.3	63.3	68.3	73.3	85.3	98.3	113.3	123.3	47
30.6	33.6	36.6	40.1	43.6	47.6	52.6	57.6	62.6	67.6	72.6	77.6	89.6	102.6	117.6	127.6	48
27.8	30.8	33.8	37.3	40.8	44.8	49.8	54.8	59.8	64.8	69.8	74.8	86.8	99.8	114.8	124.8	49
29.2	32.2	35.2	38.7	42.2	46.2	51.2	56.2	61.3	66.3	71.3	76.3	88.3	101.3	116.3	126.3	50
■ 0.84	0.85	0.86	0.87	0.88	0.89	0.91	0.92	0.93	0.94	0.95	0.96	0.98	1.00	1.01	1.03	■

▲ Not all available belt lengths are shown.

■ Combined Arc-Length correction factors for 5 preceding lines.

# 8VX & 8V Belts In 8V Sheaves

## Drive selection tables

LINE #	RATIO	STOCK SHEAVES			DRIVEN SPEEDS AND HORSEPOWER RATINGS PER BELT					
		Datum Diameter		Number Grooves	870 MOTOR		1160 MOTOR		1750 MOTOR	
		DR	DN		Driven Speed	H.P. Ratings	Driven Speed	H.P. Ratings	Driven Speed	H.P. Ratings
51	1.31	19.00	24.80	4-6,8,10,12	667	73.04	889	86.77	-	-
52	1.32	17.00	22.40	4-6,8,10,12	660	63.36	880	76.30	-	-
53	1.33	16.00	21.20	4-6,8,10,12	657	58.32	875	70.63	-	-
54	1.33	15.00	20.00	4-6,8,10,12	653	53.16	870	64.70	-	-
55	1.34	22.40	30.00	4-6,8,10,12	650	88.43	-	-	-	-
56	1.36	14.00	19.00	4-6,8,10,12	641	47.94	855	58.59	1289	70.25
57	1.36	12.50	17.00	4-6,8,10,12	640	39.74	853	48.77	1287	59.74
58	1.36	13.20	18.00	4-6,8,10,12	638	43.62	851	53.44	1283	64.89
59	1.38	18.00	24.80	4-6,8,10,12	631	68.55	842	82.06	-	-
60	1.40	16.00	22.40	4-6,8,10,12	621	58.61	829	71.02	-	-
61	1.41	15.00	21.20	4-6,8,10,12	616	53.46	821	65.10	-	-
62	1.42	21.20	30.00	4-6,8,10,12	615	83.53	820	97.51	-	-
63	1.43	14.00	20.00	4-6,8,10,12	609	48.18	812	58.92	1225	70.75
64	1.43	24.80	35.50	4-6,8,10,12	608	98.41	-	-	-	-
65	1.44	13.20	19.00	4-6,8,10,12	604	43.87	806	53.78	1216	65.40
66	1.44	12.50	18.00	4-6,8,10,12	604	40.01	806	49.13	1215	60.28
67	1.46	17.00	24.80	4-6,8,10,12	596	63.86	795	76.97	-	-
68	1.49	15.00	22.40	4-6,8,10,12	583	53.68	777	65.39	-	-
69	1.50	20.00	30.00	4-6,8,10,12	580	78.36	773	92.47	-	-
70	1.51	14.00	21.20	4-6,8,10,12	575	48.40	766	59.21	1156	71.19
71	1.52	13.20	20.00	4-6,8,10,12	574	44.06	766	54.03	1155	65.78
72	1.52	12.50	19.00	4-6,8,10,12	572	40.21	763	49.39	1151	60.68
73	1.55	16.00	24.80	4-6,8,10,12	561	58.99	748	71.53	-	-
74	1.58	19.00	30.00	4-6,8,10,12	551	73.86	735	87.86	-	-
75	1.58	22.40	35.50	4-6,8,10,12	549	89.10	-	-	-	-
76	1.60	12.50	20.00	4-6,8,10,12	544	40.36	725	49.59	1094	60.98
77	1.60	14.00	22.40	4-6,8,10,12	544	48.56	725	59.42	1094	71.51
78	1.61	13.20	21.20	4-6,8,10,12	542	44.23	722	54.26	1090	66.12
79	1.61	24.80	40.00	4-6,8,10,12	539	98.81	-	-	-	-
80	1.65	15.00	24.80	4-6,8,10,12	526	53.96	702	65.77	-	-
81	1.67	18.00	30.00	4-6,8,10,12	522	69.19	696	82.91	-	-
82	1.67	21.20	35.50	4-6,8,10,12	520	84.06	693	98.21	-	-
83	1.70	12.50	21.20	4-6,8,10,12	513	40.49	684	49.77	1032	61.24
84	1.70	13.20	22.40	4-6,8,10,12	513	44.35	684	54.42	1031	66.37
85	1.76	17.00	30.00	4-6,8,10,12	493	64.36	657	77.63	-	-
86	1.77	14.00	24.80	4-6,8,10,12	491	48.77	655	59.70	988	71.93
87	1.77	20.00	35.50	4-6,8,10,12	490	78.77	654	93.01	-	-
88	1.79	22.40	40.00	4-6,8,10,12	487	89.35	-	-	-	-
89	1.79	12.50	22.40	4-6,8,10,12	485	40.59	647	49.90	977	61.44
90	1.79	24.80	44.50	4-6,8,10,12	485	99.02	-	-	-	-
91	1.87	19.00	35.50	4-6,8,10,12	466	74.19	621	88.30	-	-
92	1.88	16.00	30.00	4-6,8,10,12	464	59.38	619	72.04	-	-
93	1.88	13.20	24.80	4-6,8,10,12	463	44.52	617	54.64	931	66.70
94	1.89	21.20	40.00	4-6,8,10,12	461	84.26	615	98.47	-	-
95	1.97	18.00	35.50	4-6,8,10,12	441	69.45	588	83.26	-	-
96	1.98	12.50	24.80	4-6,8,10,12	439	40.72	585	50.07	882	61.71
97	1.99	22.40	44.50	4-6,8,10,12	438	89.49	-	-	-	-
98	2.00	15.00	30.00	4-6,8,10,12	435	54.26	580	66.16	-	-
99	2.00	20.00	40.00	4-6,8,10,12	435	78.93	580	93.22	-	-
100	2.09	17.00	35.50	4-6,8,10,12	417	64.57	555	77.91	-	-

# 8VX & 8V Belts In 8V Sheaves

## Drive selection tables

CENTER DISTANCE AND COMBINED ARC-LENGTH CORRECTION FACTOR ▲																
8VX 1120	8VX 1180	8VX 1250	8VX 1320	8VX 1400	8VX 1500	8VX 1600	8VX 1700	8VX 1800	8VX 1900	8VX 2000	8V 2240	8V 2500	8V 2800	8V 3000	8V 3150	LINE #
-	-	27.9	31.5	35.5	40.5	45.5	50.5	55.5	60.5	65.5	77.5	90.6	105.6	115.6	123.1	51
24.9	27.9	31.4	35.0	39.0	44.0	49.0	54.0	59.0	64.0	69.0	81.0	94.0	109.0	119.0	126.5	52
26.7	29.7	33.2	36.7	40.7	45.7	50.7	55.7	60.7	65.7	70.7	82.7	95.7	110.8	120.8	128.3	53
28.4	31.4	34.9	38.4	42.4	47.4	52.5	57.5	62.5	67.5	72.5	84.5	97.5	112.5	122.5	130.0	54
-	-	-	-	-	33.6	38.7	43.7	48.7	53.7	58.7	70.7	83.8	98.8	108.8	116.3	55
■ 0.85	■ 0.86	■ 0.87	■ 0.88	■ 0.89	■ 0.90	■ 0.91	■ 0.92	■ 0.93	■ 0.94	■ 0.95	■ 0.97	■ 0.99	■ 1.01	■ 1.02	■ 1.03	■
30.0	33.0	36.5	40.0	44.0	49.0	54.0	59.0	64.0	69.0	74.0	86.0	99.1	114.1	124.1	131.6	56
32.8	35.8	39.3	42.8	46.8	51.8	56.8	61.8	66.8	71.8	76.8	88.8	101.8	116.8	126.8	134.3	57
31.4	34.4	37.9	41.4	45.4	50.4	55.4	60.4	65.5	70.5	75.5	87.5	100.5	115.5	125.5	133.0	58
-	25.2	28.7	32.2	36.2	41.2	46.3	51.3	56.3	61.3	66.3	78.3	91.3	106.3	116.3	123.8	59
25.6	28.7	32.2	35.7	39.7	44.7	49.7	54.7	59.8	64.8	69.8	81.8	94.8	109.8	119.8	127.3	60
■ 0.85	■ 0.86	■ 0.87	■ 0.88	■ 0.89	■ 0.90	■ 0.91	■ 0.92	■ 0.94	■ 0.94	■ 0.95	■ 0.97	■ 0.99	■ 1.01	■ 1.02	■ 1.03	■
27.4	30.4	33.9	37.4	41.5	46.5	51.5	56.5	61.5	66.5	71.5	83.5	96.5	111.5	121.5	129.0	61
-	-	-	-	29.5	34.5	39.5	44.6	49.6	54.6	59.6	71.7	84.7	99.7	109.7	117.2	62
29.1	32.2	35.7	39.2	43.2	48.2	53.2	58.2	63.2	68.2	73.2	85.2	98.3	113.3	123.3	130.8	63
-	-	-	-	-	-	-	37.3	42.3	47.3	52.4	64.4	77.5	92.5	102.5	110.0	64
30.6	33.6	37.1	40.6	44.6	49.6	54.6	59.6	64.6	69.6	74.7	86.7	99.7	114.7	124.7	132.2	65
■ 0.84	■ 0.85	■ 0.87	■ 0.88	■ 0.88	■ 0.90	■ 0.91	■ 0.92	■ 0.93	■ 0.94	■ 0.95	■ 0.97	■ 0.99	■ 1.01	■ 1.02	■ 1.03	■
31.9	34.9	38.4	42.0	46.0	51.0	56.0	61.0	66.0	71.0	76.0	88.0	101.0	116.0	126.0	133.5	66
-	25.9	29.4	32.9	37.0	42.0	47.0	52.0	57.0	62.0	67.1	79.1	92.1	107.1	117.1	124.6	67
26.4	29.4	32.9	36.4	40.5	45.5	50.5	55.5	60.5	65.5	70.5	82.5	95.6	110.6	120.6	128.1	68
-	-	-	-	30.3	35.4	40.4	45.5	50.5	55.5	60.5	72.6	85.6	100.6	110.6	118.1	69
28.1	31.1	34.7	38.2	42.2	47.2	52.2	57.2	62.2	67.3	72.3	84.3	97.3	112.3	122.3	129.8	70
■ 0.84	■ 0.85	■ 0.86	■ 0.87	■ 0.88	■ 0.89	■ 0.91	■ 0.92	■ 0.93	■ 0.94	■ 0.95	■ 0.97	■ 0.99	■ 1.01	■ 1.02	■ 1.03	■
29.7	32.7	36.3	39.8	43.8	48.8	53.8	58.8	63.8	68.8	73.8	85.9	98.9	113.9	123.9	131.4	71
31.1	34.1	37.6	41.1	45.1	50.2	55.2	60.2	65.2	70.2	75.2	87.2	100.2	115.2	125.2	132.7	72
-	26.6	30.1	33.7	37.7	42.7	47.8	52.8	57.8	62.8	67.8	79.8	92.9	107.9	117.9	125.4	73
-	-	-	-	31.0	36.1	41.1	46.2	51.2	56.2	61.3	73.3	86.3	101.4	111.4	118.9	74
-	-	-	-	-	-	33.9	39.0	44.0	49.1	54.1	66.2	79.3	94.3	104.3	111.8	75
■ 0.84	■ 0.85	■ 0.86	■ 0.87	■ 0.88	■ 0.89	■ 0.91	■ 0.92	■ 0.93	■ 0.94	■ 0.95	■ 0.97	■ 0.99	■ 1.01	■ 1.02	■ 1.03	■
30.2	33.3	36.8	40.3	44.3	49.3	54.3	59.4	64.4	69.4	74.4	86.4	99.4	114.4	124.4	131.9	76
27.1	30.1	33.6	37.2	41.2	46.2	51.2	56.3	61.3	66.3	71.3	83.3	96.3	111.3	121.3	128.8	77
28.7	31.7	35.3	38.8	42.8	47.8	52.8	57.8	62.9	67.9	72.9	84.9	97.9	112.9	122.9	130.4	78
-	-	-	-	-	-	-	-	38.4	43.4	48.5	60.6	73.7	88.8	98.8	106.3	79
24.2	27.3	30.9	34.4	38.4	43.5	48.5	53.5	58.5	63.6	68.6	80.6	93.6	108.6	118.6	126.1	80
■ 0.83	■ 0.84	■ 0.86	■ 0.87	■ 0.88	■ 0.89	■ 0.91	■ 0.92	■ 0.92	■ 0.93	■ 0.94	■ 0.96	■ 0.99	■ 1.01	■ 1.02	■ 1.03	■
-	-	-	27.6	31.7	36.8	41.9	46.9	52.0	57.0	62.0	74.1	87.1	102.1	112.1	119.7	81
-	-	-	-	-	-	34.7	39.8	44.9	50.0	55.0	67.1	80.1	95.2	105.2	112.7	82
29.2	32.2	35.8	39.3	43.3	48.3	53.4	58.4	63.4	68.4	73.4	85.4	98.4	113.4	123.5	131.0	83
27.7	30.7	34.2	37.8	41.8	46.8	51.8	56.9	61.9	66.9	71.9	83.9	96.9	111.9	122.0	129.5	84
-	-	-	28.3	32.4	37.5	42.6	47.6	52.7	57.7	62.7	74.8	87.8	102.9	112.9	120.4	85
■ 0.83	■ 0.84	■ 0.86	■ 0.85	■ 0.87	■ 0.88	■ 0.89	■ 0.91	■ 0.92	■ 0.93	■ 0.94	■ 0.96	■ 0.98	■ 1.00	■ 1.02	■ 1.03	■
24.9	28.0	31.6	35.1	39.2	44.2	49.2	54.3	59.3	64.3	69.3	81.3	94.4	109.4	119.4	126.9	86
-	-	-	-	-	-	35.6	40.7	45.8	50.8	55.9	68.0	81.0	96.1	106.1	113.6	87
-	-	-	-	-	-	-	34.9	40.0	45.1	50.2	62.4	75.5	90.6	100.6	108.1	88
28.2	31.2	34.7	38.3	42.3	47.3	52.4	57.4	62.4	67.4	72.4	84.4	97.5	112.5	122.5	130.0	89
-	-	-	-	-	-	-	-	-	39.3	44.5	56.7	69.9	85.0	95.1	102.6	90
■ 0.82	■ 0.83	■ 0.85	■ 0.86	■ 0.87	■ 0.89	■ 0.89	■ 0.90	■ 0.91	■ 0.91	■ 0.93	■ 0.95	■ 0.98	■ 1.00	■ 1.01	■ 1.02	■
-	-	-	-	-	31.1	36.3	41.4	46.5	51.5	56.6	68.7	81.8	96.8	106.9	114.4	91
-	-	-	29.0	33.1	38.2	43.3	48.4	53.4	58.5	63.5	75.5	88.6	103.6	113.7	121.2	92
25.5	28.6	32.1	35.7	39.7	44.8	49.8	54.8	59.9	64.9	69.9	81.9	95.0	110.0	120.0	127.5	93
-	-	-	-	-	-	-	35.7	40.9	46.0	51.1	63.2	76.4	91.5	101.5	109.0	94
-	-	-	-	-	31.8	36.9	42.1	47.2	52.2	57.3	69.4	82.5	97.6	107.6	115.1	95
■ 0.81	■ 0.83	■ 0.84	■ 0.84	■ 0.86	■ 0.86	■ 0.88	■ 0.89	■ 0.90	■ 0.92	■ 0.93	■ 0.95	■ 0.97	■ 1.00	■ 1.01	■ 1.02	■
26.0	29.1	32.6	36.2	40.2	45.3	50.3	55.4	60.4	65.4	70.4	82.5	95.5	110.5	120.5	128.1	96
-	-	-	-	-	-	-	-	-	41.0	46.1	58.4	71.6	86.8	96.8	104.4	97
-	-	26.1	29.7	33.8	38.9	44.0	49.1	54.1	59.2	64.2	76.3	89.3	104.4	114.4	121.9	98
-	-	-	-	-	-	-	36.5	41.7	46.8	51.9	64.1	77.2	92.3	102.4	109.9	99
-	-	-	-	-	32.4	37.6	42.8	47.9	53.0	58.0	70.2	83.3	98.3	108.4	115.9	100
■ 0.81	■ 0.82	■ 0.82	■ 0.84	■ 0.86	■ 0.86	■ 0.88	■ 0.89	■ 0.90	■ 0.91	■ 0.92	■ 0.95	■ 0.97	■ 0.99	■ 1.01	■ 1.02	■

▲ Not all available belt lengths are shown.

■ Combined Arc-Length correction factors for 5 preceding lines.

# 8VX & 8V Belts In 8V Sheaves

## Drive selection tables

LINE #	RATIO	STOCK SHEAVES			DRIVEN SPEEDS AND HORSEPOWER RATINGS PER BELT					
		Datum Diameter		Number Grooves	870 MOTOR		1160 MOTOR		1750 MOTOR	
		DR	DN		Driven Speed	H.P. Ratings	Driven Speed	H.P. Ratings	Driven Speed	H.P. Ratings
101	2.10	21.20	44.50	4-6,8,10,12	414	84.37	553	98.62	-	-
102	2.11	19.00	40.00	4-6,8,10,12	413	74.31	551	88.47	-	-
103	2.14	24.80	53.00	4-6,8,10,12	407	99.22	-	-	-	-
104	2.14	14.00	30.00	4-6,8,10,12	406	49.00	541	60.00	817	72.38
105	2.22	16.00	35.50	4-6,8,10,12	392	59.54	523	72.26	-	-
106	2.22	18.00	40.00	4-6,8,10,12	391	69.55	522	83.40	-	-
107	2.22	20.00	44.50	4-6,8,10,12	391	79.02	521	93.34	-	-
108	2.27	13.20	30.00	4-6,8,10,12	383	44.69	510	54.88	770	67.06
109	2.34	19.00	44.50	4-6,8,10,12	371	74.39	495	88.57	-	-
110	2.35	17.00	40.00	4-6,8,10,12	370	64.65	493	78.02	-	-
111	2.37	22.40	53.00	4-6,8,10,12	368	89.63	-	-	-	-
112	2.37	15.00	35.50	4-6,8,10,12	368	54.38	490	66.33	-	-
113	2.40	12.50	30.00	4-6,8,10,12	363	40.87	483	50.27	729	62.00
114	2.47	18.00	44.50	4-6,8,10,12	352	69.61	469	83.48	-	-
115	2.50	16.00	40.00	4-6,8,10,12	348	59.61	464	72.35	-	-
116	2.50	21.20	53.00	4-6,8,10,12	348	84.48	464	98.77	-	-
117	2.54	14.00	35.50	4-6,8,10,12	343	49.10	457	60.13	690	72.58
118	2.54	24.80	63.00	6,8,10,12	342	99.32	-	-	-	-
119	2.62	17.00	44.50	4-6,8,10,12	332	64.70	443	78.09	-	-
120	2.65	20.00	53.00	4-6,8,10,12	328	79.11	438	93.46	-	-
121	2.67	15.00	40.00	4-6,8,10,12	326	54.44	435	66.40	-	-
122	2.69	13.20	35.50	4-6,8,10,12	323	44.78	431	54.99	651	67.22
123	2.78	16.00	44.50	4-6,8,10,12	313	59.65	417	72.41	-	-
124	2.79	19.00	53.00	4-6,8,10,12	312	74.46	416	88.67	-	-
125	2.81	22.40	63.00	6,8,10,12	309	89.70	-	-	-	-
126	2.84	12.50	35.50	4-6,8,10,12	306	40.93	408	50.36	616	62.14
127	2.86	14.00	40.00	4-6,8,10,12	305	49.14	406	60.19	613	72.67
128	2.86	24.80	71.00	6,8,10,12	304	99.36	-	-	-	-
129	2.94	18.00	53.00	4-6,8,10,12	295	69.68	394	83.57	-	-
130	2.97	15.00	44.50	4-6,8,10,12	293	54.47	391	66.45	-	-
131	2.97	21.20	63.00	6,8,10,12	293	84.54	390	98.85	-	-
132	3.03	13.20	40.00	4-6,8,10,12	287	44.81	383	55.04	578	67.29
133	3.12	17.00	53.00	4-6,8,10,12	279	64.75	372	78.16	-	-
134	3.15	20.00	63.00	6,8,10,12	276	79.16	368	93.53	-	-
135	3.17	22.40	71.00	6,8,10,12	274	89.73	-	-	-	-
136	3.18	14.00	44.50	4-6,8,10,12	274	49.17	365	60.23	551	72.72
137	3.20	12.50	40.00	4-6,8,10,12	272	40.96	363	50.40	547	62.20
138	3.31	16.00	53.00	4-6,8,10,12	263	59.70	350	72.47	-	-
139	3.32	19.00	63.00	6,8,10,12	262	74.51	350	88.73	-	-
140	3.35	21.20	71.00	6,8,10,12	260	84.57	346	98.89	-	-
141	3.37	13.20	44.50	4-6,8,10,12	258	44.84	344	55.07	519	67.34
142	3.50	18.00	63.00	6,8,10,12	249	69.72	331	83.62	-	-
143	3.53	15.00	53.00	4-6,8,10,12	246	54.51	328	66.50	-	-
144	3.55	20.00	71.00	6,8,10,12	245	79.18	327	93.56	-	-
145	3.56	12.50	44.50	4-6,8,10,12	244	40.98	326	50.42	492	62.24
146	3.71	17.00	63.00	6,8,10,12	235	64.79	313	78.20	-	-
147	3.74	19.00	71.00	6,8,10,12	233	74.53	310	88.75	-	-
148	3.79	14.00	53.00	4-6,8,10,12	230	49.20	306	60.27	462	72.79
149	3.94	16.00	63.00	6,8,10,12	221	59.72	295	72.50	-	-
150	3.94	18.00	71.00	6,8,10,12	221	69.73	294	83.64	-	-

# 8VX & 8V Belts In 8V Sheaves

## Drive selection tables

CENTER DISTANCE AND COMBINED ARC-LENGTH CORRECTION FACTOR ▲															
8VX 1500	8VX 1600	8VX 1700	8VX 1800	8VX 1900	8VX 2000	8V 2240	8V 2500	8V 2800	8V 3000	8V 3150	8V 3550	8V 4000	8V 4500	8V 5000	LINE #
-	-	-	36.5	41.8	47.0	59.3	72.5	87.6	97.7	105.3	125.4	147.9	173.0	198.1	101
-	-	37.2	42.4	47.5	52.6	64.8	78.0	93.1	103.1	110.7	130.7	153.3	178.4	203.4	102
-	-	-	-	-	-	48.9	62.3	77.6	87.8	95.4	115.5	138.2	163.3	188.4	103
39.6	44.7	49.8	54.9	59.9	64.9	77.0	90.1	105.1	115.2	122.7	142.7	165.2	190.3	215.3	104
33.1	38.3	43.5	48.6	53.7	58.7	70.9	84.0	99.1	109.1	116.6	136.7	159.3	184.3	209.3	105
■	0.85	0.87	0.88	0.88	0.90	0.91	0.93	0.96	0.98	1.00	1.01	1.03	1.06	1.08	1.10 ■
-	32.6	37.8	43.0	48.2	53.3	65.5	78.7	93.8	103.9	111.4	131.5	154.1	179.1	204.2	106
-	-	-	37.3	42.6	47.8	60.1	73.3	88.5	98.6	106.1	126.2	148.8	173.9	199.0	107
40.2	45.3	50.4	55.4	60.5	65.5	77.6	90.7	105.7	115.8	123.3	143.3	165.9	190.9	215.9	108
-	-	-	38.0	43.2	48.4	60.8	74.0	89.2	99.3	106.9	127.0	149.6	174.7	199.7	109
-	33.2	38.5	43.7	48.9	54.0	66.2	79.4	94.5	104.6	112.1	132.2	154.8	179.9	204.9	110
■	0.86	0.84	0.87	0.87	0.89	0.90	0.93	0.96	0.99	1.00	1.01	1.03	1.06	1.08	1.10 ■
-	-	-	-	-	-	50.5	64.0	79.3	89.5	97.1	117.3	139.9	165.1	190.2	111
33.8	39.0	44.1	49.3	54.4	59.5	71.6	84.7	99.8	109.9	117.4	137.5	160.0	185.1	210.1	112
40.7	45.8	50.9	55.9	61.0	66.0	78.1	91.2	106.3	116.3	123.8	143.9	166.4	191.4	216.4	113
-	-	-	38.6	43.9	49.1	61.5	74.7	89.9	100.0	107.6	127.7	150.3	175.4	200.5	114
-	33.9	39.2	44.4	49.6	54.7	66.9	80.1	95.3	105.3	112.9	133.0	155.6	180.6	205.7	115
■	0.85	0.85	0.87	0.88	0.89	0.91	0.93	0.96	0.98	1.00	1.01	1.03	1.05	1.08	1.10 ■
-	-	-	-	-	-	51.3	64.8	80.1	90.3	97.9	118.2	140.8	166.0	191.1	116
34.4	39.7	44.8	50.0	55.1	60.2	72.3	85.4	100.5	110.6	118.1	138.2	160.8	185.8	210.8	117
-	-	-	-	-	-	52.6	68.4	84.7	94.8	102.4	122.7	145.3	170.4	195.5	118
-	-	-	39.3	44.6	49.8	62.2	75.4	90.7	100.8	108.3	128.5	151.1	176.2	201.2	119
-	-	-	-	-	-	52.1	65.6	81.0	91.2	98.8	119.0	141.7	166.8	192.0	120
■	0.83	0.85	0.87	0.86	0.88	0.90	0.91	0.93	0.96	0.98	0.99	1.02	1.05	1.07	1.09 ■
-	34.5	39.8	45.1	50.2	55.4	67.6	80.8	96.0	106.1	113.6	133.7	156.3	181.4	206.4	121
35.0	40.2	45.4	50.5	55.6	60.7	72.9	86.0	101.1	111.2	118.7	138.8	161.4	186.4	211.5	122
-	-	34.5	39.9	45.2	50.5	62.9	76.1	91.4	101.5	109.1	129.2	151.8	176.9	202.0	123
-	-	-	-	-	39.8	52.7	66.3	81.7	91.9	99.5	119.7	142.4	167.6	192.7	124
-	-	-	-	-	-	-	54.1	70.0	80.4	88.1	108.5	131.4	156.6	181.8	125
■	0.83	0.83	0.84	0.86	0.88	0.88	0.92	0.93	0.97	0.98	1.00	1.02	1.05	1.07	1.09 ■
-	35.4	40.7	45.9	51.0	56.1	61.2	73.4	86.5	101.7	111.7	119.2	139.3	161.9	186.9	126
-	-	35.2	40.5	45.7	50.9	56.1	68.4	81.6	96.7	106.8	114.3	134.5	157.1	182.1	127
-	-	-	-	-	-	-	-	60.3	71.0	78.9	99.6	122.6	148.0	173.2	128
-	-	-	-	-	40.5	53.4	66.9	82.4	92.6	100.2	120.5	143.2	168.3	193.4	129
-	-	35.2	40.6	45.9	51.1	63.6	76.9	92.1	102.2	109.8	129.9	152.6	177.7	202.7	130
■	0.82	0.83	0.84	0.86	0.88	0.88	0.92	0.95	0.96	0.98	0.99	1.02	1.04	1.07	1.09 ■
-	-	-	-	-	-	-	54.9	70.8	81.2	88.9	109.4	132.2	157.5	182.7	131
30.2	35.7	41.0	46.3	51.5	56.6	68.9	82.1	97.3	107.4	114.9	135.1	157.6	182.7	207.8	132
-	-	-	-	-	41.1	54.0	67.6	83.1	93.3	100.9	121.2	143.9	169.1	194.2	133
-	-	-	-	-	-	-	55.7	71.6	82.0	89.7	110.2	133.1	158.4	183.6	134
-	-	-	-	-	-	-	-	61.9	72.6	80.5	101.2	124.3	149.7	175.0	135
■	0.78	0.82	0.84	0.86	0.88	0.86	0.90	0.91	0.94	0.96	0.97	1.01	1.03	1.06	1.08 ■
-	-	35.8	41.2	46.6	51.8	64.2	77.6	92.8	102.9	110.5	130.7	153.3	178.4	203.5	136
30.7	36.2	41.5	46.7	51.9	57.1	69.4	82.6	97.8	107.9	115.4	135.6	158.2	183.3	208.3	137
-	-	-	-	-	41.7	54.7	68.3	83.8	94.0	101.6	121.9	144.6	169.8	194.9	138
-	-	-	-	-	-	-	56.3	72.2	82.7	90.4	110.9	133.8	159.1	184.3	139
-	-	-	-	-	-	-	-	62.6	73.4	81.3	102.0	125.1	150.5	175.8	140
■	0.78	0.81	0.82	0.85	0.87	0.86	0.91	0.92	0.94	0.96	0.98	1.01	1.04	1.06	1.08 ■
-	-	36.3	41.7	47.1	52.3	64.8	78.1	93.4	103.5	111.1	131.2	153.9	179.0	204.1	141
-	-	-	-	-	-	-	56.9	72.9	83.3	91.1	111.6	134.5	159.8	185.0	142
-	-	-	-	-	42.3	55.3	69.0	84.5	94.7	102.3	122.6	145.4	170.5	195.7	143
-	-	-	-	-	-	-	-	63.4	74.1	82.1	102.9	125.9	151.4	176.7	144
-	-	36.7	42.2	47.5	52.8	65.3	78.6	93.9	104.0	111.6	131.8	154.4	179.5	204.6	145
■			0.80	0.83	0.86	0.86	0.90	0.92	0.94	0.96	0.98	1.01	1.03	1.06	1.08 ■
-	-	-	-	-	-	-	57.6	73.6	84.0	91.8	112.3	135.2	160.5	185.7	146
-	-	-	-	-	-	-	-	64.0	74.8	82.7	103.5	126.6	152.1	177.4	147
-	-	-	-	37.3	43.0	56.0	69.6	85.1	95.4	103.0	123.3	146.1	171.3	196.4	148
-	-	-	-	-	-	43.6	58.2	74.2	84.7	92.5	113.0	135.9	161.2	186.5	149
-	-	-	-	-	-	-	-	64.7	75.4	83.4	104.2	127.3	152.8	178.1	150
■					0.77	0.81	0.83	0.88	0.91	0.94	0.96	0.99	1.02	1.05	1.07 ■

▲ Not all available belt lengths are shown.

■ Combined Arc-Length correction factors for 5 preceding lines.

# 8VX & 8V Belts In 8V Sheaves

## Drive selection tables

LINE #	RATIO	STOCK SHEAVES			DRIVEN SPEEDS AND HORSEPOWER RATINGS PER BELT					
		Datum Diameter		Number Grooves	870 MOTOR		1160 MOTOR		1750 MOTOR	
		DR	DN		Driven Speed	H.P. Ratings	Driven Speed	H.P. Ratings	Driven Speed	H.P. Ratings
151	4.02	13.20	53.00	4-6,8,10,12	217	44.86	289	55.10	436	67.39
152	4.18	17.00	71.00	6,8,10,12	208	64.80	278	78.22	-	-
153	4.20	15.00	63.00	6,8,10,12	207	54.53	276	66.53	-	-
154	4.24	12.50	53.00	4-6,8,10,12	205	41.01	274	50.45	413	62.28
155	4.44	16.00	71.00	6,8,10,12	196	59.74	261	72.52	-	-
156	4.50	14.00	63.00	6,8,10,12	193	49.22	258	60.29	389	72.82
157	4.73	15.00	71.00	6,8,10,12	184	54.54	245	66.54	-	-
158	4.77	13.20	63.00	6,8,10,12	182	44.88	243	55.12	367	67.42
159	5.04	12.50	63.00	6,8,10,12	173	41.02	230	50.47	347	62.31
160	5.07	14.00	71.00	6,8,10,12	172	49.23	229	60.31	345	72.84
161	5.38	13.20	71.00	6,8,10,12	162	44.89	216	55.13	325	67.44
162	5.68	12.50	71.00	6,8,10,12	153	41.03	204	50.48	308	62.33

# 8VX & 8V Belts In 8V Sheaves

## Drive selection tables

CENTER DISTANCE AND COMBINED ARC-LENGTH CORRECTION FACTOR ▲											
8VX 1900	8VX 2000	8V 2240	8V 2500	8V 2800	8V 3000	8V 3150	8V 3550	8V 4000	8V 4500	8V 5000	LINE #
37.8	43.4	56.5	70.2	85.7	95.9	103.6	123.9	146.7	171.9	197.0	151
-	-	-	48.3	65.3	76.1	84.0	104.9	128.0	153.5	178.8	152
-	-	44.2	58.8	74.9	85.4	93.1	113.7	136.6	162.0	187.2	153
38.2	43.9	57.0	70.7	86.2	96.4	104.1	124.4	147.2	172.4	197.5	154
-	-	-	48.9	65.9	76.7	84.7	105.6	128.7	154.2	179.6	155
■ 0.77	0.81	0.84	0.85	0.91	0.94	0.96	0.99	1.02	1.05	1.07 ■	
-	-	44.8	59.5	75.6	86.0	93.8	114.4	137.3	162.7	187.9	156
-	-	-	49.5	66.6	77.4	85.4	106.3	129.4	154.9	180.3	157
-	-	45.3	60.0	76.1	86.6	94.4	115.0	137.9	163.3	188.5	158
-	-	45.7	60.4	76.5	87.0	94.8	115.4	138.4	163.8	189.0	159
-	-	-	50.1	67.2	78.0	86.0	106.9	130.1	155.6	181.0	160
■		0.78	0.83	0.90	0.93	0.95	0.98	1.02	1.05	1.07 ■	
-	-	-	50.6	67.7	78.6	86.5	107.5	130.7	156.2	181.6	161
-	-	-	51.0	68.1	79.0	87.0	108.0	131.2	156.7	182.1	162
■			0.78	0.87	0.91	0.93	0.97	1.01	1.04	1.06 ■	

▲ Not all available belt lengths are shown.

■ Combined Arc-Length correction factors for 5 preceding lines.



# Horsepower Ratings For 3VX Belts

Narrow Cog horsepower ratings per belt are listed below and on the facing page. To obtain the basic horsepower rating per belt, locate the RPM of the faster shaft in the left-hand column. Read on this line across to the column headed by the diameter of the smaller sheave. The figure given is the basic horsepower rating. For convenience the standard motor speeds are grouped at the beginning of the chart. On the same horizontal line read the “add-on” rating in the column headed by the drive speed ratio. Add the basic rating to the “add-on” rating to obtain the total horsepower rating per belt.

RPM of Faster Shaft	BASIC HORSEPOWER RATING PER BELT													
	SMALL SHEAVE OUTSIDE DIAMETER													
	2.20	2.35	2.50	2.65	2.80	3.00	3.15	3.35	3.65	4.12	4.50	4.75	5.00	5.30
1160	1.04	1.22	1.40	1.58	1.75	1.99	2.16	2.39	2.74	3.28	3.71	3.99	4.27	4.60
1460	1.26	1.48	1.70	1.92	2.14	2.43	2.64	2.93	3.36	4.02	4.55	4.89	5.24	5.65
1750	1.46	1.72	1.98	2.24	2.49	2.84	3.09	3.43	3.93	4.71	5.33	5.73	6.14	6.61
2900	2.16	2.58	2.99	3.39	3.80	4.33	4.73	5.25	6.03	7.22	8.16	8.77	9.36	10.1
3500	2.49	2.98	3.46	3.94	4.41	5.03	5.50	6.11	7.01	8.38	9.46	10.1	10.8	11.6
600	0.60	0.70	0.79	0.89	0.99	1.11	1.21	1.33	1.52	1.81	2.05	2.20	2.36	2.54
700	0.68	0.80	0.91	1.02	1.13	1.28	1.38	1.53	1.75	2.09	2.36	2.53	2.71	2.92
800	0.76	0.89	1.02	1.14	1.27	1.43	1.56	1.72	1.97	2.35	2.66	2.86	3.06	3.30
900	0.84	0.98	1.13	1.27	1.41	1.59	1.73	1.91	2.19	2.61	2.96	3.18	3.40	3.67
1000	0.92	1.08	1.23	1.39	1.54	1.75	1.90	2.10	2.40	2.87	3.25	3.49	3.74	4.03
1200	1.07	1.26	1.44	1.62	1.80	2.05	2.23	2.47	2.82	3.38	3.82	4.11	4.40	4.75
1400	1.21	1.43	1.64	1.85	2.06	2.34	2.55	2.82	3.23	3.87	4.38	4.72	5.05	5.44
1600	1.35	1.60	1.84	2.07	2.31	2.63	2.86	3.17	3.64	4.35	4.93	5.30	5.67	6.12
1800	1.49	1.76	2.02	2.29	2.55	2.90	3.17	3.51	4.03	4.82	5.46	5.88	6.29	6.78
2000	1.62	1.92	2.21	2.50	2.79	3.18	3.46	3.84	4.41	5.28	5.98	6.43	6.88	7.42
2200	1.75	2.07	2.39	2.71	3.02	3.44	3.76	4.17	4.78	5.73	6.49	6.98	7.46	8.04
2400	1.87	2.22	2.57	2.91	3.25	3.70	4.04	4.49	5.15	6.17	6.98	7.51	8.03	8.64
2600	1.99	2.37	2.74	3.11	3.47	3.96	4.32	4.80	5.51	6.60	7.46	8.02	8.58	9.23
2800	2.11	2.51	2.90	3.30	3.69	4.21	4.59	5.10	5.86	7.01	7.93	8.52	9.11	9.79
3000	2.22	2.65	3.07	3.49	3.90	4.45	4.86	5.40	6.20	7.42	8.38	9.01	9.62	10.3
3200	2.33	2.78	3.23	3.67	4.11	4.69	5.12	5.69	6.53	7.81	8.82	9.47	10.1	10.9
3400	2.44	2.91	3.38	3.85	4.31	4.92	5.37	5.97	6.85	8.19	9.25	9.93	10.6	11.4
3600	2.54	3.04	3.53	4.02	4.51	5.15	5.62	6.24	7.16	8.56	9.66	10.4	11.0	11.8
3800	2.64	3.16	3.68	4.19	4.70	5.37	5.86	6.51	7.47	8.92	10.1	10.8	11.5	12.3
4000	2.74	3.29	3.82	4.36	4.89	5.58	6.10	6.77	7.76	9.27	10.4	11.2	11.9	12.7
4200	2.83	3.40	3.96	4.52	5.07	5.79	6.32	7.02	8.05	9.60	10.8	11.6	12.3	13.1
4400	2.93	3.52	4.10	4.68	5.24	5.99	6.54	7.27	8.32	9.92	11.1	11.9	12.7	13.5
4600	3.01	3.63	4.23	4.83	5.42	6.19	6.76	7.50	8.59	10.2	11.5	12.2	13.0	13.9
4800	3.10	3.73	4.36	4.97	5.58	6.38	6.96	7.73	8.84	10.5	11.8	12.6	13.3	14.2*
5000	3.18	3.84	4.48	5.12	5.74	6.56	7.16	7.95	9.09	10.8	12.1	12.9	13.6	14.5*

\* Made-to-order ductile iron sheaves required.

# Horsepower Ratings For 3VX Belts

The combined Arc-Length correction factor shown in the Narrow pre-engineered drive tables or in the Arc-of-Contact correction factor table and the Belt Length correction factor table, page B1-16, should be applied to the total HP per belt before determining the number of belts required for the drive.

NOTE: These ratings apply for the Narrow Cog type belts only.

BASIC HORSEPOWER RATING PER BELT						"ADD-ON" RATING								
SMALL SHEAVE OUTSIDE DIAMETER						SPEED RATIO								
5.60	6.00	6.50	6.90	8.00	10.60	1.00 1.01	1.02 1.05	1.06 1.09	1.10 1.14	1.15 1.19	1.20 1.29	1.30 1.49	1.50 1.99	2.00 9.99
4.94	5.38	5.92	6.35	7.52	10.2	0.00	0.03	0.06	0.08	0.10	0.13	0.16	0.18	0.20
6.05	6.59	7.25	7.78	9.19	12.4	0.01	0.04	0.07	0.10	0.13	0.16	0.20	0.23	0.26
7.09	7.71	8.48	9.09	10.7	14.3	0.01	0.04	0.08	0.12	0.15	0.19	0.23	0.28	0.31
10.8	11.7	12.7	13.6	15.7	19.8*	0.01	0.07	0.14	0.20	0.25	0.31	0.39	0.46	0.51
12.4	13.4	14.5	15.4	17.6*	21.0*	0.01	0.09	0.17	0.24	0.31	0.38	0.47	0.55	0.61
2.72	2.96	3.26	3.50	4.16	5.66	0.00	0.01	0.03	0.04	0.05	0.07	0.08	0.09	0.11
3.13	3.41	3.76	4.03	4.78	6.51	0.00	0.02	0.03	0.05	0.06	0.08	0.09	0.11	0.12
3.53	3.85	4.24	4.55	5.40	7.34	0.00	0.02	0.04	0.06	0.07	0.09	0.11	0.13	0.14
3.93	4.28	4.72	5.06	6.00	8.15	0.00	0.02	0.04	0.06	0.08	0.10	0.12	0.14	0.16
4.32	4.71	5.18	5.56	6.59	8.95	0.00	0.02	0.05	0.07	0.09	0.11	0.13	0.16	0.18
5.09	5.54	6.10	6.55	7.75	10.5	0.00	0.03	0.06	0.08	0.11	0.13	0.16	0.19	0.21
5.83	6.35	6.99	7.50	8.86	11.9	0.01	0.03	0.07	0.10	0.12	0.15	0.19	0.22	0.25
6.56	7.14	7.85	8.42	9.94	13.3	0.01	0.04	0.08	0.11	0.14	0.17	0.21	0.25	0.28
7.26	7.90	8.69	9.31	11.0	14.6	0.01	0.04	0.09	0.12	0.16	0.20	0.24	0.28	0.32
7.95	8.64	9.49	10.2	11.9	15.8	0.01	0.05	0.10	0.14	0.18	0.22	0.27	0.32	0.35
8.61	9.36	10.3	11.0	12.9	16.9	0.01	0.05	0.11	0.15	0.19	0.24	0.29	0.35	0.39
9.25	10.0	11.0	11.8	13.8	17.9*	0.01	0.06	0.11	0.17	0.21	0.26	0.32	0.38	0.42
9.87	10.7	11.7	12.5	14.6	18.7*	0.01	0.06	0.12	0.18	0.23	0.28	0.35	0.41	0.46
10.5	11.4	12.4	13.2	15.4	19.5*	0.01	0.07	0.13	0.19	0.25	0.30	0.38	0.44	0.49
11.0	12.0	13.1	13.9	16.1	20.1*	0.01	0.07	0.14	0.21	0.26	0.33	0.40	0.47	0.53
11.6	12.5	13.7	14.5	16.7*	20.5*	0.01	0.08	0.15	0.22	0.28	0.35	0.43	0.51	0.56
12.1	13.1	14.3	15.1	17.3*	20.9*	0.01	0.08	0.16	0.23	0.30	0.37	0.46	0.54	0.60
12.6	13.6	14.8	15.7	17.8*	21.0*	0.01	0.09	0.17	0.25	0.32	0.39	0.48	0.57	0.63
13.1	14.1	15.3	16.2*	18.3*	-	0.01	0.09	0.18	0.26	0.33	0.41	0.51	0.60	0.67
13.5	14.5	15.7*	16.6*	18.6*	-	0.02	0.10	0.19	0.28	0.35	0.43	0.54	0.63	0.70
13.9	15.0*	16.1*	17.0*	18.9*	-	0.02	0.10	0.20	0.29	0.37	0.46	0.56	0.66	0.74
14.3	15.3*	16.5*	17.3*	19.1*	-	0.02	0.11	0.21	0.30	0.39	0.48	0.59	0.70	0.77
14.7*	15.7*	16.8*	17.6*	19.2*	-	0.02	0.11	0.22	0.32	0.40	0.50	0.62	0.73	0.81
15.0*	16.0*	17.1*	17.8*	-	-	0.02	0.12	0.23	0.33	0.42	0.52	0.64	0.76	0.84
15.3*	16.2*	17.3*	18.0*	-	-	0.02	0.12	0.24	0.35	0.44	0.54	0.67	0.79	0.88

# Horsepower Ratings For 5VX Belts

Narrow Cog horsepower ratings per belt are listed below and on the facing page. To obtain the basic horsepower rating per belt, locate the RPM of the faster shaft in the left-hand column. Read on this line across to the column headed by the diameter of the smaller sheave. The figure given is the basic horsepower rating. For convenience the standard motor speeds are grouped at the beginning of the chart. On the same horizontal line read the “add-on” rating in the column headed by the drive speed ratio. Add the basic rating to the “add-on” rating to obtain the total horsepower rating per belt.

RPM of Faster Shaft	BASIC HORSEPOWER RATING PER BELT																
	SMALL SHEAVE OUTSIDE DIAMETER																
	4.40	4.65	4.90	5.20	5.50	5.90	6.30	6.70	7.10	7.50	8.00	8.50	9.00	9.25	9.75	10.30	10.90
1160	6.22	7.03	7.83	8.78	9.73	11.0	12.2	13.5	14.7	15.9	17.5	19.0	20.4	21.2	22.6	24.2	26.0
1460	7.52	8.51	9.49	10.7	11.8	13.4	14.9	16.4	17.9	19.4	21.2	23.1	24.9	25.7	27.5	29.4	31.5
1750	8.70	9.86	11.0	12.4	13.8	15.6	17.3	19.1	20.8	22.6	24.7	26.8	28.8	29.8	31.8	34.0	36.3
2900	12.7	14.5	16.2	18.3	20.3	23.0	25.6	28.1	30.6	32.9	35.8	38.5	41.2*	42.4*	44.8*	47.3*	49.8*
3500	14.4	16.4	18.4	20.8	23.0	26.0	28.9	31.6	34.2	36.8*	39.7*	42.5*	45.0*	46.2*	48.4*	50.5*	52.4*
400	2.51	2.81	3.11	3.47	3.83	4.30	4.77	5.24	5.70	6.17	6.75	7.32	7.90	8.18	8.75	9.38	10.1
500	3.05	3.42	3.79	4.23	4.66	5.25	5.82	6.40	6.98	7.55	8.26	8.97	9.67	10.0	10.7	11.5	12.3
600	3.56	4.00	4.44	4.96	5.48	6.17	6.85	7.54	8.22	8.89	9.73	10.6	11.4	11.8	12.6	13.5	14.5
700	4.07	4.57	5.07	5.68	6.28	7.07	7.86	8.65	9.43	10.2	11.2	12.1	13.1	13.6	14.5	15.6	16.7
800	4.55	5.13	5.70	6.38	7.05	7.95	8.85	9.73	10.6	11.5	12.6	13.7	14.8	15.3	16.4	17.5	18.8
900	5.03	5.67	6.30	7.06	7.82	8.82	9.81	10.8	11.8	12.8	14.0	15.2	16.4	17.0	18.2	19.4	20.8
1000	5.50	6.20	6.90	7.73	8.56	9.67	10.8	11.8	12.9	14.0	15.3	16.7	18.0	18.6	19.9	21.3	22.9
1200	6.40	7.23	8.05	9.04	10.0	11.3	12.6	13.9	15.1	16.4	18.0	19.5	21.0	21.8	23.3	25.0	26.7
1400	7.26	8.22	9.17	10.3	11.4	12.9	14.4	15.8	17.3	18.7	20.5	22.3	24.0	24.9	26.6	28.4	30.4
1600	8.10	9.17	10.2	11.5	12.8	14.4	16.1	17.7	19.4	21.0	22.9	24.9	26.8	27.8	29.6	31.7	33.9
1800	8.89	10.1	11.3	12.7	14.1	15.9	17.7	19.5	21.3	23.1	25.3	27.4	29.5	30.5	32.5	34.7	37.1
2000	9.66	11.0	12.3	13.8	15.3	17.3	19.3	21.3	23.2	25.1	27.5	29.7	32.0	33.1	35.3	37.6	40.0
2200	10.4	11.8	13.2	14.9	16.5	18.7	20.8	22.9	25.0	27.1	29.5	32.0	34.3	35.5	37.8	40.2	42.7
2400	11.1	12.6	14.1	15.9	17.7	20.0	22.3	24.5	26.7	28.9	31.5	34.1	36.5	37.7	40.1	42.6	45.2*
2600	11.8	13.4	15.0	16.9	18.8	21.3	23.7	26.0	28.3	30.6	33.3	36.0	38.5	39.8	42.2*	44.7*	47.3*
2800	12.4	14.1	15.8	17.9	19.8	22.4	25.0	27.4	29.8	32.2	35.0	37.7	40.3*	41.6*	44.0*	46.5*	49.0*
3000	13.0	14.8	16.6	18.7	20.8	23.5	26.2	28.8	31.2	33.7	36.6	39.3*	41.9*	43.2*	45.6*	48.0*	50.5*
3200	13.6	15.5	17.4	19.6	21.8	24.6	27.3	30.0	32.5	35.0	37.9*	40.7*	43.3*	44.6*	46.9*	49.3*	51.6*
3400	14.1	16.1	18.1	20.4	22.6	25.6	28.4	31.1	33.7	36.2*	39.2*	41.9*	44.5*	45.7*	47.9*	50.2*	52.2*
3600	14.6	16.7	18.7	21.1	23.4	26.5	29.3	32.1	34.8*	37.3*	40.2*	42.9*	45.4*	46.6*	48.7*	50.7*	-
3800	15.1	17.2	19.3	21.8	24.2	27.3	30.2	33.0*	35.7*	38.2*	41.1*	43.7*	46.1*	47.2*	49.1*	-	-
4000	15.5	17.7	19.9	22.4	24.9	28.0	31.0*	33.8*	36.5*	38.9*	41.8*	44.3*	46.5*	47.5*	-	-	-
4200	15.9	18.2	20.4	23.0	25.5	28.7	31.7*	34.5*	37.1*	39.5*	42.3*	44.7*	46.7*	-	-	-	-
4400	16.3	18.6	20.9	23.5	26.0	29.2*	32.3*	35.0*	37.6*	40.0*	42.6*	44.8*	-	-	-	-	-
4600	16.6	19.0	21.3	24.0	26.5*	29.7*	32.7*	35.5*	38.0*	40.2*	42.7*	-	-	-	-	-	-

\* Made-to-order ductile iron sheaves required.

# Horsepower Ratings For 5VX Belts

The combined Arc-Length correction factor shown in the Narrow pre-engineered drive tables or in the Arc-of-Contact correction factor table and the Belt Length correction factor table, page B1-16, should be applied to the total HP per belt before determining the number of belts required for the drive.

NOTE: These ratings apply for the Narrow Cog type belts only.

BASIC HORSEPOWER RATING PER BELT									"ADD-ON" RATING								
SMALL SHEAVE OUTSIDE DIAMETER									SPEED RATIO								
11.30	11.80	12.50	13.20	14.00	15.00	16.00	18.70	21.20	1.00 1.01	1.02 1.05	1.06 1.09	1.10 1.14	1.15 1.19	1.20 1.29	1.30 1.49	1.50 1.99	2.00 9.99
27.1	28.5	30.5	32.4	34.5	37.2	39.8	46.4	52.0	0.02	0.14	0.28	0.41	0.52	0.64	0.79	0.93	1.03
32.8	34.5	36.7	39.0	41.4	44.4	47.3	54.4*	60.1*	0.03	0.18	0.36	0.51	0.65	0.81	1.00	1.17	1.30
37.8	39.6	42.1	44.6	47.2	50.4*	53.3*	60.2*	65.1*	0.03	0.22	0.43	0.61	0.78	0.97	1.19	1.41	1.56
51.4*	53.1*	55.3*	-	-	-	-	-	-	0.06	0.36	0.71	1.02	1.29	1.60	1.98	2.33	2.59
-	-	-	-	-	-	-	-	-	0.07	0.44	0.85	1.23	1.56	1.93	2.39	2.81	3.12
10.5	11.1	11.8	12.6	13.5	14.6	15.7	18.6	21.3	0.01	0.05	0.10	0.14	0.18	0.22	0.27	0.32	0.36
12.9	13.6	14.5	15.5	16.5	17.9	19.2	22.8	26.0	0.01	0.06	0.12	0.18	0.22	0.28	0.34	0.40	0.45
15.2	16.0	17.1	18.2	19.5	21.1	22.6	26.8	30.5	0.01	0.07	0.15	0.21	0.27	0.33	0.41	0.48	0.54
17.4	18.4	19.6	20.9	22.4	24.2	26.0	30.6	34.9	0.01	0.09	0.17	0.25	0.31	0.39	0.48	0.56	0.62
19.6	20.7	22.1	23.5	25.2	27.2	29.2	34.4	39.0	0.02	0.10	0.19	0.28	0.36	0.44	0.55	0.64	0.71
21.8	22.9	24.5	26.1	27.9	30.1	32.3	37.9	42.9	0.02	0.11	0.22	0.32	0.40	0.50	0.61	0.72	0.80
23.9	25.1	26.9	28.6	30.5	32.9	35.2	41.3	46.6	0.02	0.12	0.24	0.35	0.45	0.55	0.68	0.80	0.89
27.9	29.3	31.3	33.3	35.5	38.2	40.8	47.5	53.2*	0.02	0.15	0.29	0.42	0.54	0.66	0.82	0.96	1.07
31.7	33.3	35.5	37.7	40.1	43.1	45.9	53.0*	58.7*	0.03	0.17	0.34	0.49	0.62	0.77	0.95	1.13	1.25
35.3	37.0	39.4	41.8	44.4	47.4	50.4*	57.5*	62.9*	0.03	0.20	0.39	0.56	0.71	0.88	1.09	1.29	1.43
38.6	40.5	43.0	45.4	48.1*	51.3*	54.2*	61.0*	65.7*	0.03	0.22	0.44	0.63	0.80	0.99	1.23	1.45	1.61
41.6	43.6	46.2	48.7*	51.4*	54.5*	57.3*	63.4*	-	0.04	0.25	0.49	0.70	0.89	1.10	1.36	1.61	1.78
44.4	46.4*	49.0*	51.5*	54.1*	57.1*	59.7*	-	-	0.04	0.27	0.54	0.77	0.98	1.21	1.50	1.77	1.96
46.8*	48.8*	51.4*	53.8*	56.3*	59.0*	-	-	-	0.05	0.30	0.58	0.84	1.07	1.32	1.64	1.93	2.14
48.9*	50.8*	53.3*	55.6*	57.8*	-	-	-	-	0.05	0.32	0.63	0.91	1.16	1.44	1.77	2.09	2.32
50.6*	52.5*	54.8*	56.8*	-	-	-	-	-	0.05	0.35	0.68	0.98	1.25	1.55	1.91	2.25	2.50
52.0*	53.7*	55.8*	-	-	-	-	-	-	0.06	0.37	0.73	1.05	1.34	1.66	2.05	2.41	2.68
52.9*	54.4*	-	-	-	-	-	-	-	0.06	0.40	0.78	1.12	1.43	1.77	2.18	2.57	2.85
-	-	-	-	-	-	-	-	-	0.07	0.42	0.83	1.19	1.52	1.88	2.32	2.73	3.03
-	-	-	-	-	-	-	-	-	0.07	0.45	0.88	1.26	1.61	1.99	2.45	2.89	3.21
-	-	-	-	-	-	-	-	-	0.07	0.47	0.92	1.33	1.69	2.10	2.59	3.05	3.39
-	-	-	-	-	-	-	-	-	0.08	0.50	0.97	1.40	1.78	2.21	2.73	3.21	3.57
-	-	-	-	-	-	-	-	-	0.08	0.52	1.02	1.47	1.87	2.32	2.86	3.38	3.75
-	-	-	-	-	-	-	-	-	0.08	0.55	1.07	1.54	1.96	2.43	3.00	3.54	3.92
-	-	-	-	-	-	-	-	-	0.09	0.57	1.12	1.62	2.05	2.54	3.14	3.70	4.10

# Horsepower Ratings For 5V Belts

Narrow V-Belt horsepower ratings per belt are listed below and on the facing page. To obtain the basic horsepower rating per belt, locate the rpm of the faster shaft in the left-hand column. Read on this line across to the column headed by the diameter of the smaller sheave. The figure given is the basic horsepower rating. For convenience the standard motor speeds are grouped at the beginning of the chart. On the same horizontal line read the "add-on" rating in the column headed by the drive speed ratio. Add the basic rating to the "add-on" rating to obtain the total horsepower rating per belt.

RPM of Faster Shaft	BASIC HORSEPOWER RATING PER BELT															
	SMALL SHEAVE OUTSIDE DIAMETER															
	7.10	7.50	8.00	8.50	9.00	9.25	9.75	10.00	10.30	10.90	11.00	11.30	11.80	12.00	12.50	13.00
1160	11.7	12.9	14.4	15.8	17.2	17.9	19.3	20.0	20.9	22.5	22.8	23.6	24.9	25.4	26.7	27.9
1460	14.0	15.4	17.2	18.9	20.6	21.4	23.1	23.9	24.8	26.7	27.0	27.9	29.4	30.0	31.4	32.8
1750	16.0	17.6	19.6	21.5	23.4	24.3	26.1	27.0	28.0	30.1	30.4	31.3	32.9	33.5	35.0	36.4
2900	21.2	23.1	25.4	27.6	29.5*	30.4*	32.0*	32.7*	33.5*	34.8*	35.0*	35.5*	36.1*	36.2*	36.5*	36.4*
3500	21.8	23.6*	25.6*	27.3*	28.6*	29.2*	30.0*	30.2*	30.4*	30.3*	-	-	-	-	-	-
400	4.75	5.21	5.78	6.35	6.92	7.20	7.77	8.05	8.38	9.05	9.16	9.50	10.1	10.3	10.8	11.4
500	5.77	6.33	7.04	7.73	8.43	8.78	9.47	9.81	10.2	11.0	11.2	11.6	12.3	12.5	13.2	13.9
600	6.75	7.42	8.25	9.07	9.89	10.3	11.1	11.5	12.0	13.0	13.1	13.6	14.4	14.7	15.5	16.3
700	7.70	8.47	9.42	10.4	11.3	11.8	12.7	13.2	13.7	14.8	15.0	15.5	16.4	16.8	17.7	18.6
800	8.62	9.49	10.6	11.6	12.7	13.2	14.2	14.8	15.4	16.6	16.8	17.4	18.4	18.8	19.8	20.8
900	9.52	10.5	11.7	12.8	14.0	14.6	15.7	16.3	17.0	18.3	18.5	19.2	20.3	20.7	21.8	22.9
1000	10.4	11.4	12.7	14.0	15.3	15.9	17.2	17.8	18.5	20.0	20.2	20.9	22.1	22.6	23.8	24.9
1200	12.0	13.3	14.8	16.2	17.7	18.4	19.9	20.6	21.4	23.1	23.4	24.2	25.5	26.1	27.4	28.7
1400	13.6	15.0	16.7	18.3	20.0	20.8	22.4	23.1	24.1	25.9	26.2	27.1	28.6	29.1	30.6	31.9
1600	15.0	16.5	18.4	20.2	22.0	22.9	24.6	25.5	26.5	28.4	28.7	29.7	31.2	31.8	33.3	34.7
1800	16.3	18.0	20.0	21.9	23.8	24.8	26.6	27.5	28.5	30.6	30.9	31.9	33.4	34.0	35.5	36.9
2000	17.5	19.3	21.4	23.5	25.5	26.4	28.3	29.2	30.3	32.3	32.7	33.6	35.2	35.8	37.2	38.5*
2200	18.6	20.4	22.7	24.8	26.8	27.8	29.7	30.6	31.7	33.7	34.0	34.9	36.4*	36.9*	38.2*	39.4*
2400	19.5	21.4	23.7	25.9	28.0	28.9	30.8	31.7	32.7	34.6*	34.9*	35.8*	37.1*	37.6*	38.6*	39.6*
2600	20.3	22.2	24.6	26.8	28.8	29.8	31.6*	32.4*	33.4*	35.1*	35.3*	36.1*	37.2*	37.5*	38.4*	39.0*
2800	20.9	22.9	25.2	27.4	29.3*	30.2*	31.9*	32.7*	33.5*	35.0*	35.2*	35.8*	36.6*	36.9*	37.3*	37.5*
3000	21.4	23.3	25.6	27.7*	29.6*	30.4*	31.9*	32.6*	33.3*	34.4*	34.6*	34.9*	35.4*	35.5*	35.5*	-
3200	21.7	23.6	25.8*	27.8*	29.5*	30.2*	31.5*	32.0*	32.5*	33.2*	33.3*	33.4*	33.4*	-	-	-
3400	21.8	23.7*	25.7*	27.5*	29.0*	29.6*	30.6*	30.9*	31.2*	31.4*	31.4*	-	-	-	-	-
3600	21.7*	23.5*	25.4*	27.0*	28.2*	28.6*	29.2*	29.4*	29.4*	-	-	-	-	-	-	-
3800	21.4*	23.1*	24.8*	26.1*	27.0*	27.2*	27.4*	27.3*	-	-	-	-	-	-	-	-
4000	21.0*	22.4*	23.9*	24.9*	25.3*	25.4*	-	-	-	-	-	-	-	-	-	-
4200	20.3*	21.5*	22.7*	23.3*	23.3*	-	-	-	-	-	-	-	-	-	-	-
4400	19.3*	20.4*	21.2*	21.3*	-	-	-	-	-	-	-	-	-	-	-	-
4600	18.2*	18.9*	19.3*	-	-	-	-	-	-	-	-	-	-	-	-	-

\* Made-to-order ductile iron sheaves required.

# Horsepower Ratings For 5V Belts

The combined Arc-Length correction factor shown in the Narrow pre-engineered drive tables or in the Arc-of-Contact correction factor table and the Belt Length correction factor table, page B1-16, should be applied to the total HP per belt before determining the number of belts required for the drive.

NOTE: These ratings apply for the Narrow V-Belt type belts only.

BASIC HORSEPOWER RATING PER BELT							"ADD-ON" RATING								
SMALL SHEAVE OUTSIDE DIAMETER							SPEED RATIO								
13.20	13.50	14.00	15.00	16.00	18.70	21.20	1.00 1.01	1.02 1.05	1.06 1.09	1.10 1.14	1.15 1.19	1.20 1.29	1.30 1.49	1.50 1.99	2.00 9.99
28.4	29.2	30.4	32.8	35.1	40.7	45.1	0.03	0.19	0.37	0.53	0.67	0.83	1.03	1.21	1.35
33.4	34.2	35.5	38.0	40.3	45.5*	48.9*	0.04	0.24	0.46	0.67	0.85	1.05	1.30	1.53	1.69
36.9	37.7	39.0	41.3*	43.3*	47.1*	48.1*	0.04	0.28	0.55	0.80	1.02	1.26	1.55	1.83	2.03
-	-	-	-	-	-	-	0.07	0.47	0.92	1.32	1.68	2.08	2.57	3.03	3.37
-	-	-	-	-	-	-	0.09	0.57	1.11	1.60	2.03	2.51	3.10	3.66	4.06
11.6	11.9	12.5	13.5	14.6	17.5	20.0	0.01	0.07	0.13	0.18	0.23	0.29	0.35	0.42	0.46
14.1	14.5	15.2	16.5	17.8	21.2	24.3	0.01	0.08	0.16	0.23	0.29	0.36	0.44	0.52	0.58
16.6	17.0	17.8	19.3	20.8	24.8	28.3	0.01	0.10	0.19	0.27	0.35	0.43	0.53	0.63	0.70
18.9	19.4	20.3	22.0	23.7	28.2	32.1	0.02	0.11	0.22	0.32	0.41	0.50	0.62	0.73	0.81
21.2	21.8	22.7	24.6	26.5	31.3	35.5	0.02	0.13	0.25	0.37	0.46	0.57	0.71	0.84	0.93
23.3	24.0	25.0	27.1	29.1	34.3	38.7	0.02	0.15	0.28	0.41	0.52	0.65	0.80	0.94	1.04
25.4	26.1	27.2	29.4	31.5	36.9	41.5	0.02	0.16	0.32	0.46	0.58	0.72	0.89	1.05	1.16
29.2	29.9	31.2	33.6	35.9	41.5	45.8*	0.03	0.20	0.38	0.55	0.70	0.86	1.06	1.25	1.39
32.5	33.3	34.6	37.1	39.4	44.8*	48.5*	0.03	0.23	0.44	0.64	0.81	1.01	1.24	1.46	1.62
35.2	36.1	37.4	39.8	42.0*	46.7*	49.1*	0.04	0.26	0.51	0.73	0.93	1.15	1.42	1.67	1.86
37.4	38.2	39.5*	41.7*	43.6*	47.0*	47.5*	0.04	0.29	0.57	0.82	1.04	1.29	1.60	1.88	2.09
39.0*	39.7*	40.8*	42.7*	44.1*	45.6*	-	0.05	0.33	0.63	0.91	1.16	1.44	1.77	2.09	2.32
39.8*	40.4*	41.3*	42.7*	43.4*	-	-	0.05	0.36	0.70	1.00	1.28	1.58	1.95	2.30	2.55
39.9*	40.3*	40.9*	41.5*	-	-	-	0.06	0.39	0.76	1.10	1.39	1.72	2.13	2.51	2.79
39.1*	39.4*	39.5*	-	-	-	-	0.06	0.42	0.82	1.19	1.51	1.87	2.31	2.72	3.02
37.5*	37.4*	-	-	-	-	-	0.07	0.46	0.89	1.28	1.62	2.01	2.48	2.93	3.25
-	-	-	-	-	-	-	0.07	0.49	0.95	1.37	1.74	2.15	2.66	3.14	3.48
-	-	-	-	-	-	-	0.08	0.52	1.01	1.46	1.86	2.30	2.84	3.35	3.71
-	-	-	-	-	-	-	0.08	0.55	1.08	1.55	1.97	2.44	3.02	3.56	3.95
-	-	-	-	-	-	-	0.09	0.59	1.14	1.64	2.09	2.59	3.19	3.76	4.18
-	-	-	-	-	-	-	0.09	0.62	1.20	1.74	2.21	2.73	3.37	3.97	4.41
-	-	-	-	-	-	-	0.10	0.65	1.27	1.83	2.32	2.87	3.55	4.18	4.64
-	-	-	-	-	-	-	0.10	0.68	1.33	1.92	2.44	3.02	3.73	4.39	4.87
-	-	-	-	-	-	-	0.11	0.72	1.39	2.01	2.55	3.16	3.90	4.60	5.11
-	-	-	-	-	-	-	0.11	0.75	1.46	2.10	2.67	3.30	4.08	4.81	5.34

# Horsepower Ratings For 8V And 8VX Belts

Narrow V-Belt horsepower ratings per belt are listed below and on the facing page. To obtain the basic horsepower rating per belt, locate the RPM of the faster shaft in the left-hand column. Read on this line across to the column headed by the diameter of the smaller sheave. The figure given is the basic horsepower rating. For convenience the standard motor speeds are grouped at the beginning of the chart. On the same horizontal line read the “add-on” rating in the column headed by the drive speed ratio. Add the basic rating to the “add-on” rating to obtain the total horsepower rating per belt.

RPM of Faster Shaft	BASIC HORSEPOWER RATING PER BELT												
	SMALL SHEAVE OUTSIDE DIAMETER												
	12.50	13.20	14.00	15.00	16.00	17.00	18.00	19.00	20.00	21.20	22.40	24.80	30.00
870	36.1	40.0	44.3	49.6	54.8	59.9	64.8	69.6	74.3	79.7	84.9	94.5	111.9*
960	38.8	42.9	47.5	53.2	58.7	64.1	69.2	74.2	79.0	84.6	89.8	99.3	115.3*
1160	43.9	48.6	53.8	60.0	66.0	71.7	77.1	82.2	87.1	92.4	97.3*	105.4*	115.0*
1460	49.6	54.7	60.3	66.8	72.9	78.4	83.4*	87.8*	91.7*	95.4*	98.2*	100.8*	-
1750	52.4	57.6	63.0	69.0*	74.3*	78.6*	82.1*	84.6*	86.1*	86.4*	-	-	-
200	10.6	11.7	12.9	14.4	15.9	17.4	18.9	20.4	21.9	23.6	25.4	28.9	36.3
300	15.1	16.6	18.4	20.6	22.8	25.0	27.1	29.3	31.4	33.9	36.4	41.4	52.0
500	23.3	25.7	28.5	32.0	35.4	38.8	42.1	45.4	48.7	52.6	56.4	63.9	79.4
600	27.1	29.9	33.2	37.2	41.2	45.1	48.9	52.8	56.5	61.0	65.3	73.7	90.8
700	30.6	33.9	37.5	42.1	46.6	51.0	55.3	59.5	63.7	68.6	73.3	82.5	100.4
800	33.9	37.5	41.6	46.7	51.6	56.4	61.1	65.7	70.2	75.4	80.5	90.0	107.9
900	37.0	41.0	45.4	50.9	56.2	61.3	66.4	71.2	76.0	81.4	86.6	96.3	113.3*
1000	39.9	44.1	48.9	54.7	60.3	65.8	71.0	76.1	80.9	86.5	91.7	101.1	116.2*
1100	42.5	47.0	52.0	58.1	64.0	69.7	75.0	80.2	85.0	90.5	95.5	104.3*	116.3*
1200	44.8	49.6	54.8	61.2	67.2	72.9	78.4	83.5	88.2	93.4*	98.1*	105.8*	113.6*
1300	46.9	51.8	57.3	63.7	69.9	75.6	81.0	85.9	90.4*	95.2*	99.4*	105.5*	-
1400	48.7	53.7	59.3	65.8	71.9	77.6	82.7*	87.4*	91.5*	95.7*	99.1*	103.2*	-
1500	50.2	55.3	60.9	67.4	73.4	78.9*	83.7*	87.9*	91.5*	94.9*	97.3*	98.7*	-
1600	51.3	56.5	62.1	68.5	74.3*	79.4*	83.8*	87.4*	90.3*	92.7*	93.8*	-	-
1700	52.2	57.3	62.8	69.0*	74.4*	79.1*	82.9*	85.8*	87.8*	88.9*	88.5*	-	-
1800	52.6	57.7	63.0*	68.9*	73.9*	78.0*	81.0*	83.0*	84.0*	83.5*	-	-	-
1900	52.7	57.7*	62.7*	68.2*	72.6*	76.0*	78.1*	79.1*	78.7*	-	-	-	-
2000	52.4	57.2*	61.9*	66.9*	70.6*	73.0*	74.1*	73.8*	-	-	-	-	-
2100	51.8*	56.2*	60.6*	64.8*	67.7*	69.1*	68.9*	-	-	-	-	-	-
2200	50.7*	54.8*	58.6*	62.1*	64.0*	64.2*	-	-	-	-	-	-	-

\* Made-to-order ductile iron sheaves required.



# Horsepower Ratings For 8V And 8VX Belts

The combined Arc-Length correction factor shown in the Narrow pre-engineered drive tables or in the Arc-of-Contact correction factor table and the Belt Length correction factor table, page B1-16, should be applied to the total HP per belt before determining the number of belts required for the drive.

"ADD-ON" RATING								
SPEED RATIO								
1.00 1.01	1.02 1.05	1.06 1.09	1.10 1.14	1.15 1.19	1.20 1.29	1.30 1.49	1.50 1.99	2.00 9.99
0.11	0.69	1.34	1.94	2.46	3.04	3.76	4.43	4.92
0.12	0.76	1.48	2.14	2.71	3.36	4.15	4.89	5.43
0.14	0.92	1.79	2.58	3.28	4.06	5.01	5.91	6.56
0.18	1.16	2.25	3.25	4.13	5.11	6.31	7.44	8.26
0.21	1.39	2.70	3.89	4.95	6.12	7.56	8.92	9.90
0.02	0.16	0.31	0.45	0.57	0.70	0.86	1.02	1.13
0.04	0.24	0.46	0.67	0.85	1.05	1.30	1.53	1.70
0.06	0.40	0.77	1.11	1.41	1.75	2.16	2.55	2.83
0.07	0.48	0.93	1.34	1.70	2.10	2.59	3.06	3.39
0.09	0.55	1.08	1.56	1.98	2.45	3.03	3.57	3.96
0.10	0.63	1.23	1.78	2.26	2.80	3.46	4.08	4.52
0.11	0.71	1.39	2.00	2.54	3.15	3.89	4.59	5.09
0.12	0.79	1.54	2.23	2.83	3.50	4.32	5.09	5.65
0.13	0.87	1.70	2.45	3.11	3.85	4.75	5.60	6.22
0.15	0.95	1.85	2.67	3.39	4.20	5.19	6.11	6.79
0.16	1.03	2.00	2.89	3.68	4.55	5.62	6.62	7.35
0.17	1.11	2.16	3.12	3.96	4.90	6.05	7.13	7.92
0.18	1.19	2.31	3.34	4.24	5.25	6.48	7.64	8.48
0.19	1.27	2.47	3.56	4.52	5.60	6.92	8.15	9.05
0.21	1.35	2.62	3.78	4.81	5.95	7.35	8.66	9.61
0.22	1.43	2.78	4.01	5.09	6.30	7.78	9.17	10.18
0.23	1.50	2.93	4.23	5.37	6.65	8.21	9.68	10.74
0.24	1.58	3.08	4.45	5.65	7.00	8.64	10.19	11.31
0.26	1.66	3.24	4.67	5.94	7.35	9.08	10.70	11.87
0.27	1.74	3.39	4.90	6.22	7.70	9.51	11.21	12.44

# Made-To-Order Sheaves

---

***A Stock Part Won't Work On Your Drive?  
No Problem, Let Wood's Make A Part to Your Specifications.***

## ***MTO's By Wood's***

### ***Material***

#### **Cast Iron**

Used on all specials unless otherwise specified.  
Safe on wheels operating up to 6,500 FPM.  
Class 30 and Class 35 commonly poured  
Other classes available upon request.

#### **Ductile Iron**

Used when specified by the customer.  
Safe on wheels operating up to 10,000 FPM.  
80-55-06 as cast, 65-45-12 annealed for high shock,  
100-70-03 for maximum tensile available.

### ***Balance***

#### **Static Balance**

All wheels recommended to receive a minimum  
of a (one plane) static balance or equivalent.

#### **Dynamic**

The need for dynamic (two plane) balance is  
based on both rim speed and face width.

### ***Bores***

Wheels can be supplied bored to size, Sure-Grip bushed or clamp hub.  
Special tolerances, tapered bores, splines, and metrics are also done.

### ***Wheel Construction***

Many different construction types are available from numerous arm configurations  
to special web centered types with drilling to mount to existing equipment.  
Below are some of the more common constructions.



Solid



Clamp Hub



Split



Split Thru Arm

### ***Flywheels***

Flywheels are often added to many rough or pulsating loads to smooth operation.  
Flywheels to provide any desired WR2 can be supplied.  
Consult with Wood's engineers to assist with design.

### ***Idler Wheels***

Idler wheels can be made to accommodate bronze bushings or roller bearings.  
Information on the bearings or bushings to be used, RPM, radial loading, and hub location should be supplied.  
Our Sure-Grip Idler bushings and stock components can be used on many applications.

### ***Special Flat Pulleys and Taper Cones***

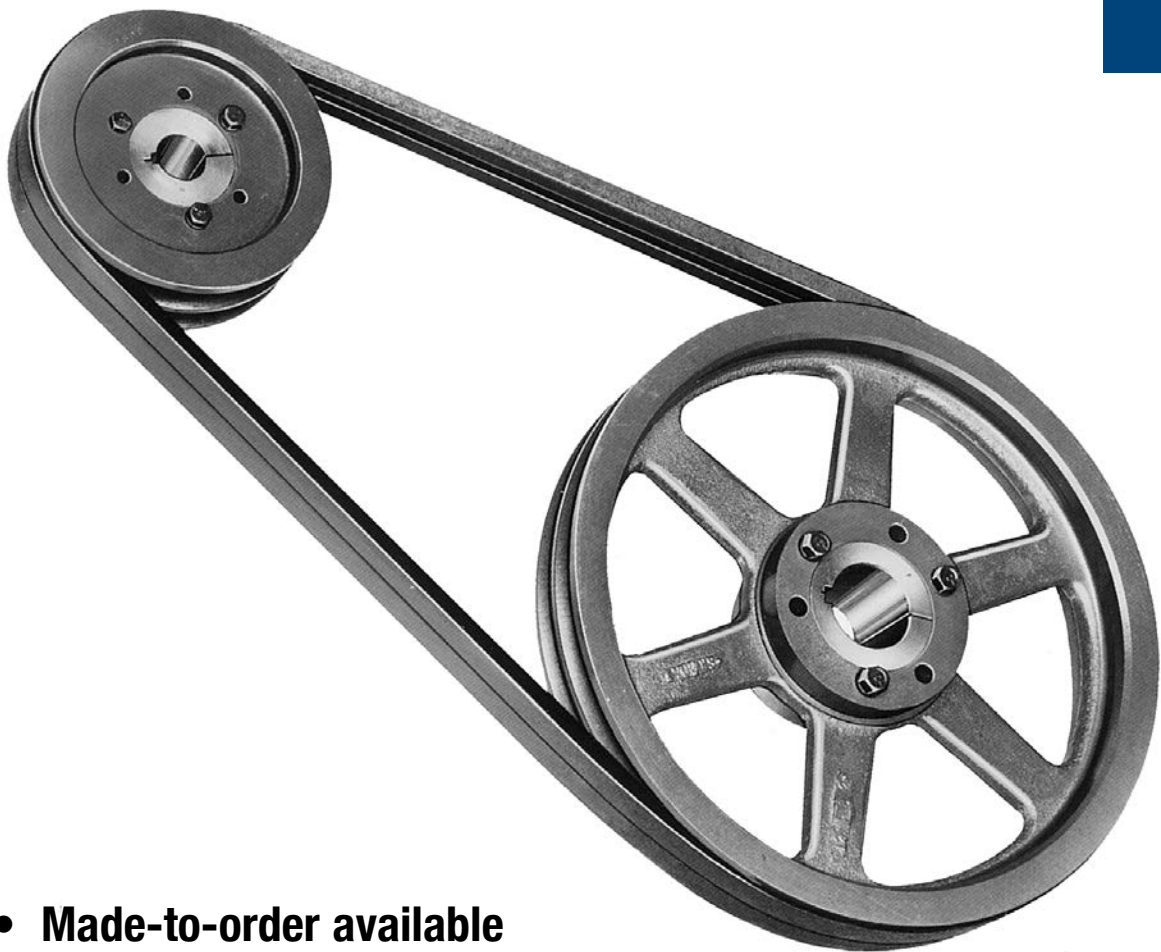
Special conveyor pulleys, face lagging and tapered cones are also available.

### ***Miscellaneous Castings***

Our shop not only pours our own high quality castings, they also can pour your as-cast or fully machined parts.

# Classical (Conventional) Drives

**B2**

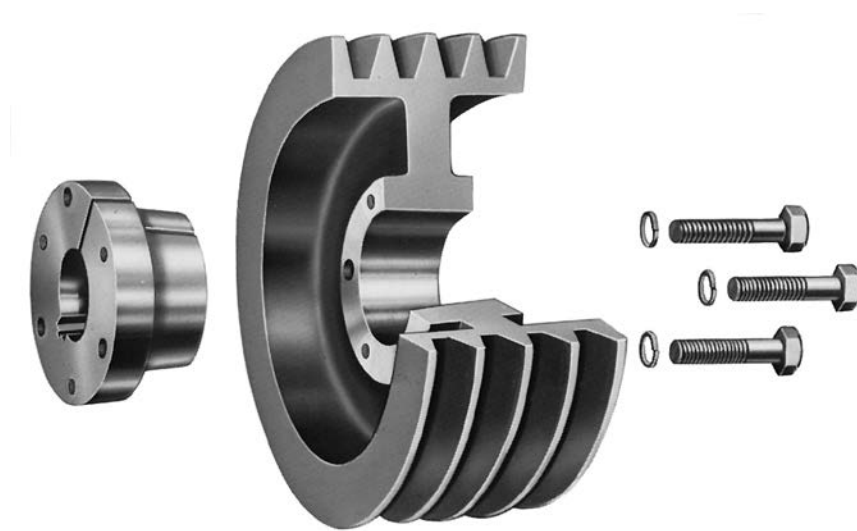


- **Made-to-order available**
- **Are Easy to Install and Remove**
- **Bored to suit construction**

# Sure-Grip® Classical Sheave

## Features

Wood's sheaves are constructed of fine grain, high tensile cast iron, and have been carefully engineered to assure maximum performance over a long life span. Behind each sheave is one of the most extensive engineering design and testing programs in the industry.



With the advent of higher V-belt ratings, Wood's engineers instituted additional careful test programs to ensure that each Wood's sheave would be capable of safely and dependably delivering the increased performance which was required by the new ratings. Wood's engineers, using a special strain gage test stand, subject sheaves to tension and compression stresses far in excess of those encountered in actual operation.

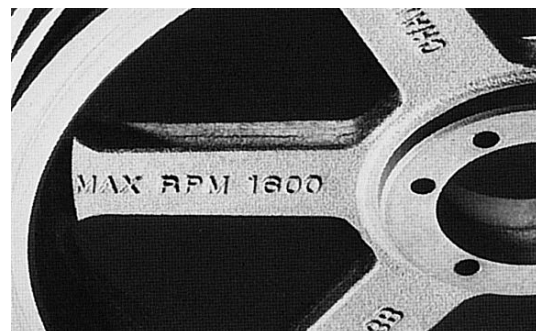
In another standard test procedure, Wood's sheaves are operated at extremely high speeds. Sheaves are selected from warehouse stocks and tested until they are burst by centrifugal force. Such destructive testing allows Wood's engineers to study the effects of construction and balance on sheave performance. The goal is to assure safe operation at normal speeds. Other continuing programs check product quality in the laboratory and on the manufacturing line.

For applications with special requirements, Wood's sheaves are also available on a made-to-order basis in either cast or ductile iron, and in Sure-Grip or bored-to-suit construction.

Wood's stock classical sheaves are available with the convenient Sure-Grip QD type bushing. Easy to install and remove, these split, tapered bushings grip the shaft with the equivalent of a shrink fit. This tight holding power eliminates freezing and fretting

corrosion between the shaft and the bore and assures quick removal and interchangeability when necessary.

Stock sheaves are designed to carry the loads of all belts shown in this catalog and other similarly rated V-Belts. For special higher rated V-Belts, consult Wood's Engineering Department for recommendations.

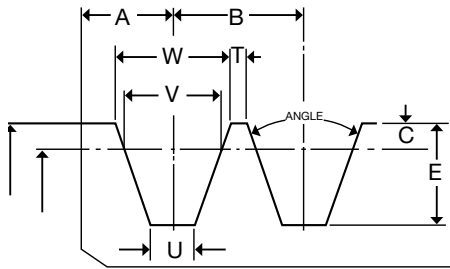


**We cast or stamp the maximum safe operating speed, in rpm, on all sheaves we manufacture.**

# Classical (Conventional) Sheave

## Dimensions

### STANDARD GROOVE DIMENSIONS



V-Belt	GROOVE DIMENSIONS IN INCHES										Angle of Groove	Used on Datums
	A	B	C	D	E	V	T	U	W			
A-B	1/2	3/4	.175	.206	.6125	.5053	.1377 .1241	.2379 .2040	.6123 .6259	34 38	3.4 to 7.0 Over 7.0	
C	11/16	1	.200	.200	.780	.757	.121 .105	.402 .358	.879 .895	34 36 38	7.0 to 7.9 8.0 to 12.0 Over 12.0	
D	7/8	1 7/16	.300	.300	1.050	1.076	.1785 .1665 .1545	.617 .589 .550	1.259 1.271 1.283	34 36 38	12.0 to 12.9 13.0 to 17.0 Over 17.0	

### STANDARD SHEAVE FACE WIDTHS

Groove Selection	FACE WIDTH OF SHEAVE IN INCHES																		For Each Additional Groove Add
	1	2	3	4	5	6	7	8	9	10	11	12	13	14	15	16	17	18	
A	3/4	1 3/8	2	2 5/8	3 1/4	3 7/8	4 1/2	5 1/8	5 3/4	6 3/8	7	7 5/8	8 1/4	8 7/8	9 1/2	10 1/8	10 3/4	11 3/8	5/8
B	1	1 3/4	2 1/2	3 1/4	4	4 3/4	5 1/2	6 1/4	7	7 3/4	8 1/2	9 1/4	10	10 3/4	11 1/2	12 1/4	13	13 3/4	3/4
C	1 3/8	2 3/8	3 3/8	4 3/8	5 3/8	6 3/8	7 3/8	8 3/8	9 3/8	10 3/8	11 3/8	12 3/8	13 3/8	14 3/8	15 3/8	16 3/8	17 3/8	18 3/8	1
D	1 3/4	3 3/16	4 5/8	6 1/16	7 1/2	8 15/16	10 3/8	11 13/16	13 1/4	14 11/16	16 1/8	17 9/16	19	20 7/16	21 7/8	23 13/16*	25 1/4*	26 11/16*	1 7/16

\* Sheaves 16D groove and over have 1/2 inch added to overall face width. All dimensions in inches.

### DEEP GROOVE DIMENSIONS

V-Belt	GROOVE DIMENSIONS IN INCHES											Angle of Groove	Used on Datums
	A	B	C	D	E	V	T	U	W				
B	9/16	7/8	.355	.065	.7925	.5053	.153 .125	.262 .228	.747 .774	34 38	4.6 to 7.0 Over 7.0		
C	13/16	1 1/4	.505	.200	1.085	.757	.1840 .165 .145	.402 .380 .358	1.066 1.085 1.105	34 36 38	7.0 to 7.99 8.0 to 12.0 Over 12.0		
D	1 1/16	1 3/4	.715	.300	1.465	1.076	.237 .209 .181	.617 .589 .560	1.513 1.541 1.569	34 36 38	12.0 to 12.99 13.0 to 17.0 Over 17.0		

### DEEP GROOVE SHEAVE FACE WIDTHS

V-Belt	FACE WIDTH OF SHEAVE IN INCHES																		For Each Additional Groove Add
	1	2	3	4	5	6	7	8	9	10	11	12	13	14	15	16	17	18	
B	1 1/8	2	2 7/8	3 3/4	4 5/8	5 1/2	6 3/8	7 1/4	8 1/8	9	9 7/8	10 3/4	11 5/8	12 1/2	13 3/8	14 1/4	15 1/8	16	7/8
C	1 5/8	2 7/8	4 1/8	5 3/8	6 5/8	7 7/8	9 1/8	10 3/8	11 5/8	12 7/8	14 1/8	15 3/8	16 5/8	17 7/8	19 1/8	20 3/8	21 5/8	22 7/8	1 1/4
D	2 1/8	3 7/8	5 5/8	7 3/8	9 1/8	10 7/8	12 5/8	14 3/8	16 1/8	17 7/8	19 5/8	21 3/8	23 1/8	24 7/8	26 5/8	28 3/8	30 1/8	31 7/8	1 3/4

# Stock Classical (Conventional) Sheaves A-B

## Dimensions

These Classical Sheaves are designed to carry the loads of all belts shown in this catalog and other similarly rated V-Belts. For special higher rated V-Belts, consult Wood's Application Engineering Department for recommendations.

The sheaves listed below are all stock sizes. The dimensions given are with the Sure-Grip bushing in place. The figure following the letter in the "Type" column indicates the sheave construction: 1–Solid; 2–Web, 3–Arms.

### DIMENSIONS (In Inches)

Datum Dia.		O.D.	I.D.	Product No.	1 GROOVE							Product No.	2 GROOVE						
A Belts	B Belts				F = 7/8 & 1								F = 1-3/4						
					E *	Type	Bush.	K	L	M	Wt.		E *	Type	Bush.	K	L	M	Wt.
3.0	3.4	3.75	2.12	341B	1/2	D1	SH	1/16	1-1/4	1/8	1.8	342B	1-1/16	E1	SH	0	1-1/4	9/16	2.9
3.2	3.6	3.95	2.25	361B	1/2	D1	SH	1/16	1-1/4	1/8	2.1	362B	7/8	E1	SH	-3/16	1-1/4	3/8	3.2
3.4	3.8	4.15	2.44	381B	1/2	D1	SH	1/16	1-1/4	1/8	2.3	382B	7/8	E1	SH	-3/16	1-1/4	3/8	3.6
3.6	4.0	4.35	2.75	401B	1/4	C1	SH	5/16	1-1/4	1/8	2.8	402B	1/8	A1	SH	11/16	1-1/4	3/8	3.8
3.8	4.2	4.55	2.94	421B	1/4	C1	SH	5/16	1-1/4	1/8	3.0	422B	1/8	A1	SH	11/16	1-1/4	3/8	4.3
4.0	4.4	4.75	3.12	441B	1/4	C1	SH	5/16	1-1/4	1/8	3.3	442B	1/8	A1	SH	11/16	1-1/4	3/8	4.7
4.2	4.6	4.95	3.38	461B	5/16	C1	SDS	5/16	1-5/16	1/8	3.8	462B	1/16	A1	SDS	11/16	1-5/16	3/8	4.8
4.4	4.8	5.15	3.38	481B	5/16	C1	SDS	5/16	1-5/16	1/8	3.8	482B	1/16	A1	SDS	11/16	1-5/16	3/8	5.5
4.6	5.0	5.35	3.62	501B	5/16	C1	SDS	5/16	1-5/16	1/8	4.1	502B	1/16	A1	SDS	11/16	1-5/16	3/8	5.6
4.8	5.2	5.55	3.69	521B	5/16	C1	SDS	5/16	1-5/16	1/8	4.3	522B	1/16	A1	SDS	11/16	1-5/16	3/8	6.6
5.0	5.4	5.75	4.00	541B	5/16	C1	SDS	5/16	1-5/16	1/8	4.6	542B	1/16	A1	SDS	11/16	1-5/16	3/8	6.5
5.2	5.6	5.95	4.31	561B	5/16	C1	SDS	5/16	1-5/16	1/8	5.1	562B	1/16	A1	SDS	11/16	1-5/16	3/8	7.4
5.4	5.8	6.15	4.41	581B	5/16	C1	SDS	5/16	1-5/16	1/8	5.3	582B	1/16	A1	SDS	11/16	1-5/16	3/8	7.6
5.6	6.0	6.35	4.50	601B	5/16	C1	SDS	5/16	1-5/16	1/8	5.6	602B	1/16	A1	SDS	11/16	1-5/16	3/8	8.2
5.8	6.2	6.55	4.81	621B	5/16	C1	SDS	5/16	1-5/16	1/8	5.8	622B	1/16	A1	SDS	11/16	1-5/16	3/8	8.5
6.0	6.4	6.75	4.88	641B	5/16	C1	SDS	5/16	1-5/16	1/8	6.2	642B	1/16	A1	SDS	11/16	1-5/16	3/8	9.2
6.2	6.6	6.95	5.22	661B	5/16	C1	SDS	5/16	1-5/16	0	7.4	662B	1/16	A1	SDS	11/16	1-5/16	3/8	9.5
6.4	6.8	7.15	5.31	681B	5/16	C1	SDS	5/16	1-5/16	0	7.9	682B	1/16	A1	SDS	11/16	1-5/16	3/8	10.3
6.6	7.0	7.35	5.50	701B	1/2	D2	SDS	1/8	1-5/16	3/16	6.8	702B	9/32	D1	SK	7/16	1-7/8	5/32	13.3
7.0	7.4	7.75	5.70	741B	1/2	D2	SDS	1/8	1-5/16	3/16	7.7	742B	9/32	D2	SK	7/16	1-7/8	5/32	14.7
7.6	8.0	8.35	6.63	801B	1/2	D2	SDS	1/8	1-5/16	3/16	8.5	802B	9/32	D2	SK	7/16	1-7/8	5/32	14.0
8.2	8.6	8.95	7.25	861B	1/2	D2	SDS	1/8	1-5/16	3/16	9.6	862B	9/32	D2	SK	7/16	1-7/8	5/32	15.3
9.0	9.4	9.75	8.00	941B	1/2	D3	SDS	1/8	1-5/16	3/16	8.9	942B	9/32	D3	SK	7/16	1-7/8	5/32	15.2
10.6	11.0	11.35	9.62	1101B	1/2	D3	SDS	1/8	1-5/16	3/16	11.7	1102B	9/32	D3	SK	7/16	1-7/8	5/32	17.0
12.0	12.4	12.75	11.06	1241B	1/2	D3	SDS	1/8	1-5/16	3/16	12.2	1242B	9/32	D3	SK	7/16	1-7/8	5/32	21.0
13.2	13.6	13.95	12.25	1361B	1/2	D3	SDS	1/8	1-5/16	3/16	14.0	1362B	9/32	D3	SK	7/16	1-7/8	5/32	23.1
15.0	15.4	15.75	14.00	1541B	19/32	C3	SK	1/8	1-7/8	9/32	20.3	1542B	9/32	D3	SK	7/16	1-7/8	5/32	28.7
15.6	16.0	16.35	14.62	1601B	19/32	C3	SK	1/8	1-7/8	9/32	18.4	1602B	9/32	D3	SK	7/16	1-7/8	5/32	25.5
18.0	18.4	18.75	17.00	1841B	19/32	C3	SK	1/8	1-7/8	9/32	23.7	1842B	9/32	D3	SK	7/16	1-7/8	5/32	29.6
19.6	20.0	20.35	18.50	2001B	19/32	C3	SK	1/8	1-7/8	9/32	30.7	2002B	5/16	D3	SF	3/8	2	1/16	43.5
24.6	25.0	25.35	23.38	2501B	11/16	C3	SF	0	2	5/16	44.0	2502B	5/16	D3	SF	3/8	2	1/16	53.7
29.6	30.0	30.35	28.50	3001B	11/16	C3	SF	0	2	5/16	55.0	3002B	5/16	D3	SF	3/8	2	1/16	64.7
37.6	38.0	38.35	36.38	-	-	-	-	-	-	-	-	3802B	5/16	D3	SF	3/8	2	1/16	97.9

\* "E" Dimension varies according to shaft tolerance.

Weights for all Sure-Grip bushed items are approximate and include the bushing.

Also available from stock made for the SF Bushing to accommodate larger bores.

P.D. for "A" Belts = DD + .25

P.D. for "B" Belts = DD + .413

Sure-Grip Bushing dimensions — see section A1

# Rigid Couplings

**F7**





# Stock Classical (Conventional) Sheaves A-B

## Dimensions

These Classical Sheaves are designed to carry the loads of all belts shown in this catalog and other similarly rated V-Belts. For special higher rated V-Belts, consult Wood's Application Engineering Department for recommendations.

The sheaves listed below are all stock sizes. The dimensions given are with the Sure-Grip bushing in place. The figure following the letter in the "Type" column indicates the sheave construction: 1–Solid; 2–Web, 3–Arms.

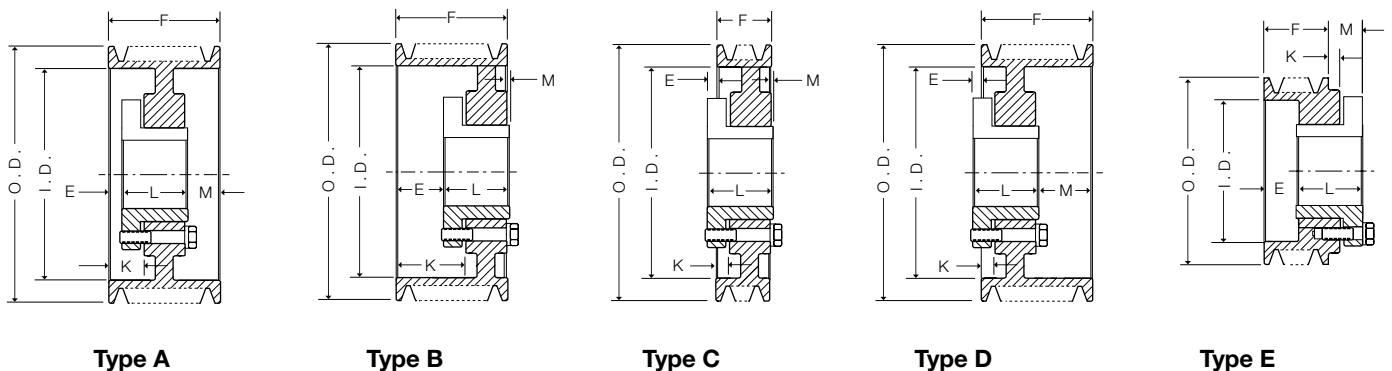
### DIMENSIONS (In Inches)

Datum Dia.		O.D.	I.D.	Product No.	5 GROOVE							Product No.	6 GROOVE						
A Belts	B Belts				F = 4								F = 4 3/4						
					E *	Type	Bush.	K	L	M	Wt.		E *	Type	Bush.	K	L	M	Wt.
3.0	3.4	3.75	2.12	345B	3-1/8	E1	SD	5/16	1-13/16	15/16	6.5	346B	3-7/8	E1	SD	5/16	1-13/16	15/16	7.2
3.2	3.6	3.95	2.25	365B	3-1/8	E1	SD	5/16	1-13/16	15/16	7.1	366B	3-7/8	E1	SD	5/16	1-13/16	15/16	8.0
3.4	3.8	4.15	2.44	385B	3-1/8	E1	SD	5/16	1-13/16	15/16	7.2	386B	3-7/8	E1	SD	5/16	1-13/16	15/16	8.1
3.6	4.0	4.35	2.62	405B	2-13/16	E1	SD	0	1-13/16	5/8	7.5	406B	3-9/16	E1	SD	0	1-13/16	5/8	8.5
3.8	4.2	4.55	2.88	425B	2-13/16	E1	SD	0	1-13/16	5/8	7.9	426B	3-9/16	E1	SD	0	1-13/16	5/8	9.0
4.0	4.4	4.75	3.12	445B	2-13/16	E1	SD	0	1-13/16	5/8	8.4	446B	3-9/16	E1	SD	0	1-13/16	5/8	9.5
4.2	4.6	4.95	3.31	465B	11/16	A1	SD	1-5/16	1-13/16	1-1/2	9.1	466B	11/16	A1	SD	1-5/16	1-13/16	2-1/4	10.2
4.4	4.8	5.15	3.44	485B	11/16	A1	SD	1-5/16	1-13/16	1-1/2	10.1	486B	11/16	A1	SD	1-5/16	1-13/16	2-1/4	11.0
4.6	5.0	5.35	3.62	505B	11/16	A1	SD	1-5/16	1-13/16	1-1/2	10.8	506B	11/16	A1	SD	1-5/16	1-13/16	2-1/4	11.8
4.8	5.2	5.55	3.81	525B	11/16	A1	SD	1-5/16	1-13/16	1-1/2	11.6	526B	11/16	A1	SD	1-5/16	1-13/16	2-1/4	13.0
5.0	5.4	5.75	4.12	545B	19/32	A1	SK	1-5/16	1-7/8	1-17/32	12.0	546B	19/32	A1	SK	1-5/16	1-7/8	2-9/32	13.3
5.2	5.6	5.95	4.30	565B	19/32	A1	SK	1-5/16	1-7/8	1-17/32	12.9	566B	19/32	A1	SK	1-5/16	1-7/8	2-9/32	14.6
5.4	5.8	6.15	4.48	585B	19/32	A1	SK	1-5/16	1-7/8	1-17/32	13.7	586B	19/32	A1	SK	1-5/16	1-7/8	2-9/32	15.5
5.6	6.0	6.35	4.68	605B	19/32	A1	SK	1-5/16	1-7/8	1-17/32	14.5	606B	19/32	A1	SK	1-5/16	1-7/8	2-9/32	16.5
5.8	6.2	6.55	4.82	625B	19/32	A1	SK	1-5/16	1-7/8	1-17/32	15.7	626B	19/32	A1	SK	1-5/16	1-7/8	2-9/32	17.4
6.0	6.4	6.75	5.06	645B	19/32	A1	SK	1-5/16	1-7/8	1-17/32	16.3	646B	19/32	A1	SK	1-5/16	1-7/8	2-9/32	18.0
6.2	6.6	6.95	5.29	665B	19/32	A1	SK	1-5/16	1-7/8	1-17/32	17.0	666B	19/32	A1	SK	1-5/16	1-7/8	2-9/32	18.7
6.4	6.8	7.15	5.44	685B	19/32	A1	SK	1-5/16	1-7/8	1-17/32	18.2	686B	19/32	A1	SK	1-5/16	1-7/8	2-9/32	20.1
6.6	7.0	7.35	5.63	705B	5/8	A1	SF	1-5/16	2	1-3/8	19.7	706B	1	A1	SF	1-11/16	2	1-3/4	21.7
7.0	7.4	7.75	6.06	745B	5/8	A1	SF	1-5/16	2	1-3/8	21.5	746B	1	A1	SF	1-11/16	2	1-3/4	23.6
7.6	8.0	8.35	6.63	805B	5/8	A1	SF	1-5/16	2	1-3/8	22.3	806B	1	A1	SF	1-11/16	2	1-3/4	27.1
8.2	8.6	8.95	7.31	865B	5/8	A2	SF	1-5/16	2	1-3/8	20.8	866B	1	A1	SF	1-11/16	2	1-3/4	30.2
9.0	9.4	9.75	8.00	945B	5/8	A3	SF	1-5/16	2	1-3/8	25.1	946B	1	A2	SF	1-11/16	2	1-3/4	25.7
10.6	11.0	11.35	9.62	1105B	5/8	A3	SF	1-5/16	2	1-3/8	31.0	1106B	1	A3	SF	1-11/16	2	1-3/4	36.0
12.0	12.4	12.75	11.06	1245B	5/8	A3	SF	1-5/16	2	1-3/8	34.0	1246B	1	A3	SF	1-11/16	2	1-3/4	37.5
13.2	13.6	13.95	12.31	1365B	5/8	A3	SF	1-5/16	2	1-3/8	36.7	1366B	1	A3	SF	1-11/16	2	1-3/4	41.7
15.0	15.4	15.75	14.06	1545B	5/8	A3	SF	1-5/16	2	1-3/8	42.3	1546B	1	A3	SF	1-11/16	2	1-3/4	46.1
15.6	16.0	16.35	14.62	1605B	5/8	A3	SF	1-5/16	2	1-3/8	47.1	1606B	1	A3	SF	1-11/16	2	1-3/4	51.8
18.0	18.4	18.75	17.00	1845B	5/8	A3	SF	1-5/16	2	1-3/8	54.8	1846B	1	A3	SF	1-11/16	2	1-3/4	60.7
19.6	20.0	20.35	18.56	2005B	11/32	A3	E	1-1/4	2-5/8	1-1/32	79.9	2006B	13/32	A3	E	1-3/8	2-5/8	1-21/32	78.3
24.6	25.0	25.35	23.38	2505B	11/32	A3	E	1-1/4	2-5/8	1-1/32	97.2	2506B	13/32	A3	E	1-3/8	2-5/8	1-21/32	116.8
29.6	30.0	30.35	28.50	3005B	11/32	A3	E	1-1/4	2-5/8	1-1/32	124.2	3006B	13/32	A3	E	1-3/8	2-5/8	1-21/32	144.5
37.6	38.0	38.35	36.38	3805B	11/32	A3	E	1-1/4	2-5/8	1-1/32	172.7	3806B	13/32	A3	E	1-3/8	2-5/8	1-21/32	189.9

\* "E" Dimension varies according to shaft tolerance.

Weights for all Sure-Grip bushed items are approximate and include the bushing.

P.D. for "A" Belts = DD + .25      P.D. for "B" Belts = DD + .413



Sure-Grip Bushing dimensions — see section A1

# Stock Classical (Conventional) Sheaves A-B

## Dimensions

Datum Dia.		O.D.	I.D.	Product No.	7 GROOVE								Product No.	8 GROOVE							
A Belts	B Belts				F = 5 1/2									F = 6 1/4							
					E *	Type	Bush.	K	L	M	Wt.	E *		Type	Bush.	K	L	M	Wt.		
5.0	5.4	5.75	4.12	547B	1-3/32	A1	SK	1-13/16	1-7/8	2-17/32	14.7	548B	1-3/32	A1	SK	1-13/16	1-7/8	3-9/32	16.0		
5.2	5.6	5.95	4.25	567B	1-3/32	A1	SK	1-13/16	1-7/8	2-17/32	16.1	568B	1-3/32	A1	SK	1-13/16	1-7/8	3-9/32	20.6		
5.4	5.8	6.15	4.44	587B	1-3/32	A1	SK	1-13/16	1-7/8	2-17/32	17.1	588B	1-3/32	A1	SK	1-13/16	1-7/8	3-9/32	18.7		
5.6	6.0	6.35	4.68	607B	1-1/8	A1	SF	1-13/16	2	2-3/8	18.2	608B	1-1/8	A1	SF	1-13/16	2	3-1/8	19.7		
5.8	6.2	6.55	4.81	627B	1-1/8	A1	SF	1-13/16	2	2-3/8	19.7	628B	1-1/8	A1	SF	1-13/16	2	3-1/8	21.5		
6.0	6.4	6.75	5.06	647B	1-1/8	A1	SF	1-13/16	2	2-3/8	20.3	648B	1-1/8	A1	SF	1-13/16	2	3-1/8	22.0		
6.2	6.6	6.95	5.25	667B	1-1/8	A1	SF	1-13/16	2	2-3/8	21.4	668B	1-1/8	A1	SF	1-13/16	2	3-1/8	23.2		
6.4	6.8	7.15	5.44	687B	1-1/8	A1	SF	1-13/16	2	2-3/8	22.5	688B	1-1/8	A1	SF	1-13/16	2	3-1/8	24.4		
6.6	7.0	7.35	5.62	707B	1-1/8	A1	SF	1-13/16	2	2-3/8	23.7	708B	1-1/8	A1	SF	1-13/16	2	3-1/8	25.7		
7.0	7.4	7.75	6.06	747B	1-1/8	A1	SF	1-13/16	2	2-3/8	25.7	748B	1-1/8	A1	SF	1-13/16	2	3-1/8	27.7		
8.2	8.6	8.95	7.25	867B	1-3/32	A1	E	2	2-5/8	1-25/32	38.4	868B	1-15/32	A1	E	2-3/8	2-5/8	2-5/32	40.9		
9.0	9.4	9.75	8.06	947B	1-3/32	A2	E	2	2-5/8	1-25/32	39.6	948B	1-15/32	A2	E	2-3/8	2-5/8	2-5/32	42.4		
10.6	11.0	11.35	9.62	1107B	1-3/32	A2	E	2	2-5/8	1-25/32	48.9	1108B	1-15/32	A2	E	2-3/8	2-5/8	2-5/32	52.2		
12.0	12.4	12.75	11.04	1247B	1-3/32	A2	E	2	2-5/8	1-25/32	56.3	1248B	1-15/32	A2	E	2-3/8	2-5/8	2-5/32	59.5		
13.2	13.6	13.95	12.25	1367B	1-3/32	A3	E	2	2-5/8	1-25/32	55.8	1368B	1-15/32	A3	E	2-3/8	2-5/8	2-5/32	59.8		
15.0	15.4	15.75	14.00	1547B	1-3/32	A3	E	2	2-5/8	1-25/32	67.4	1548B	1-15/32	A3	E	2-3/8	2-5/8	2-5/32	70.8		
15.6	16.0	16.35	14.62	1607B	1-3/32	A3	E	2	2-5/8	1-25/32	70.6	1608B	1-15/32	A3	E	2-3/8	2-5/8	2-5/32	73.9		
18.0	18.4	18.75	16.75	1847B	1/4	A3	F	1-5/16	3-5/8	1-5/8	102.5	1848B	1/4	A3	F	1-5/16	3-5/8	2-3/8	111.7		
19.6	20.0	20.35	18.56	2007B	1/4	A3	F	1-5/16	3-5/8	1-5/8	105.9	2008B	1/4	A3	F	1-5/16	3-5/8	2-3/8	113.4		
24.6	25.0	25.35	23.38	2507B	1/4	A3	F	1-5/16	3-5/8	1-5/8	133.6	2508B	1/4	A3	F	1-5/16	3-5/8	2-3/8	145.9		
29.6	30.0	30.35	28.38	3007B	1/4	A3	F	1-5/16	3-5/8	1-5/8	172.0	3008B	1/4	A3	F	1-5/16	3-5/8	2-3/8	183.0		
37.6	38.0	38.35	36.38	3807B	1/4	A3	F	1-5/16	3-5/8	1-5/8	243.4	3808B	1/4	A3	F	1-5/16	3-5/8	2-3/8	246.9		

Datum Dia.		O.D.	I.D.	Product No.	10 GROOVE							
A Belts	B Belts				F = 7 3/4							
					E *	Type	Bush.	K	L	M	Wt.	
5.0	5.4	5.75	4.12	5410B	1-27/32	A1	SK	2-9/16	1-7/8	4-1/32	18.7	
5.2	5.6	5.95	4.25	5610B	1-27/32	A1	SK	2-9/16	1-7/8	4-1/32	20.6	
5.4	5.8	6.15	4.38	5810B	1-27/32	A1	SK	2-9/16	1-7/8	4-1/32	21.8	
5.6	6.0	6.35	4.68	6010B	1-7/8	A1	SF	2-9/16	2	3-7/8	22.9	
5.8	6.2	6.55	4.81	6210B	1-7/8	A1	SF	2-9/16	2	3-7/8	25.0	
6.0	6.4	6.75	5.06	6410B	1-7/8	A1	SF	2-9/16	2	3-7/8	25.5	
6.2	6.6	6.95	5.25	6610B	1-7/8	A1	SF	2-9/16	2	3-7/8	26.8	
6.4	6.8	7.15	5.44	6810B	1-7/8	A1	SF	2-9/16	2	3-7/8	28.2	
6.6	7.0	7.35	5.62	7010B	1-7/8	A1	SF	2-9/16	2	3-7/8	29.6	
7.0	7.4	7.75	6.06	7410B	1-7/8	A1	SF	2-9/16	2	3-7/8	31.9	
8.2	8.6	8.95	7.25	8610B	2-7/32	A1	E	3-1/8	2-5/8	2-29/32	45.8	
9.0	9.4	9.75	8.12	9410B	2-7/32	A2	E	3-1/8	2-5/8	2-29/32	46.7	
10.6	11.0	11.35	9.62	11010B	2-7/32	A2	E	3-1/8	2-5/8	2-29/32	58.8	
12.0	12.4	12.75	11.06	12410B	2-7/32	A2	E	3-1/8	2-5/8	2-29/32	66.8	
13.2	13.6	13.95	12.25	13610B	1	A3	F	2-1/16	3-5/8	3-1/8	83.6	
15.0	15.4	15.75	14.00	15410B	1	A3	F	2-1/16	3-5/8	3-1/8	96.1	
15.6	16.0	16.35	14.62	16010B	1	A3	F	2-1/16	3-5/8	3-1/8	99.8	
18.0	18.4	18.75	16.75	18410B	1	A3	F	2-1/16	3-5/8	3-1/8	125.9	
19.6	20.0	20.35	18.56	20010B	1	A3	F	2-1/16	3-5/8	3-1/8	126.6	
24.6	25.0	25.35	23.44	25010B	1	A3	F	2-1/16	3-5/8	3-1/8	165.4	
29.6	30.0	30.35	28.38	30010B	1	A3	F	2-1/16	3-5/8	3-1/8	220.0	
37.6	38.0	38.35	36.38	38010B	5/16	A3	F	1-9/16	4-1/2	2-15/16	306.1	

\* "E" Dimension varies according to shaft tolerance.  
 Weights for all Sure-Grip bushed items are approximate and include the bushing.  
 P.D. for "A" Belts = DD + .25      P.D. for "B" Belts = DD + .413

Sure-Grip Bushing dimensions — see section A1

# Stock Classical (Conventional) Sheaves C

## Dimensions

These sheaves are designed to carry the loads of all belts shown in this catalog and other similarly rated V-Belts. For special higher rated V-Belts, consult Wood's Application Engineering Department for recommendations.

The Classical Sheaves listed below are all stock sizes. The dimensions given are with the Sure-Grip bushing in place. The figure following the letter in the "Type" column indicates the sheave construction: 1-Solid; 2-Web, 3-Arms.

### DIMENSIONS (In Inches)

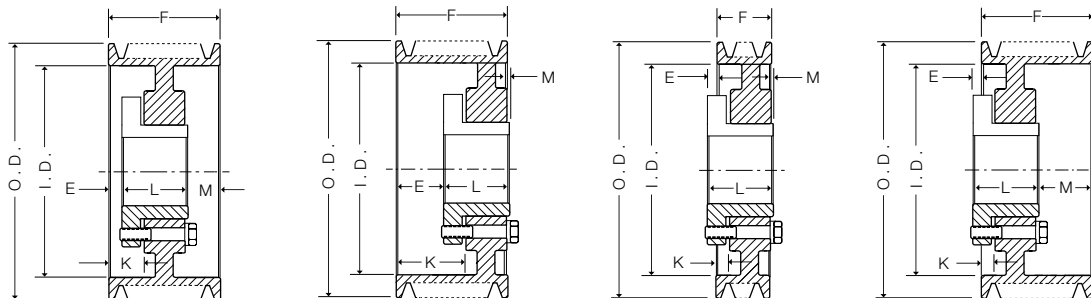
Datum Dia.	O.D.	I.D.	Product No.	1 GROOVE							Product No.	2 GROOVE						
				F = 1-3/8								F = 2-3/8						
				E *	Type	Bush.	K	L	M	Wt.		E *	Type	Bush.	K	L	M	Wt.
5.6	6.0	3.75	-	-	-	-	-	-	-	562C	3/16	A1	SD	13/16	1-13/16	3/8	9.6	
7.0	7.4	5.25	701C	9/16	C1	SF	1/8	2	1/16	12.6	1/8	A1	SF	13/16	2	1/4	15.4	
7.5	7.9	5.75	751C	9/16	C1	SF	1/8	2	1/16	14.4	1/8	A1	SF	13/16	2	1/4	17.4	
8.0	8.4	6.25	801C	9/16	C1	SF	1/8	2	1/16	16.6	1/8	A1	SF	13/16	2	1/4	19.3	
8.5	8.9	6.75	851C	9/16	C2	SF	1/8	2	1/16	15.1	1/8	A1	SF	13/16	2	1/4	21.6	
9.0	9.4	7.25	901C	9/16	C2	SF	1/8	2	1/16	16.7	1/8	A2	SF	13/16	2	1/4	21.2	
9.5	9.9	7.68	951C	9/16	C2	SF	1/8	2	1/16	18.1	1/8	A2	SF	13/16	2	1/4	20.7	
10.0	10.4	8.25	1001C	9/16	C2	SF	1/8	2	1/16	19.1	1/8	A2	SF	13/16	2	1/4	24.4	
10.5	10.9	8.75	1051C	9/16	C2	SF	1/8	2	1/16	20.4	1/8	A3	SF	13/16	2	1/4	26.2	
11.0	11.4	9.25	1101C	9/16	C3	SF	1/8	2	1/16	18.4	1/8	A2	SF	13/16	2	1/4	22.5	
12.0	12.4	10.25	1201C	9/16	C3	SF	1/8	2	1/16	19.9	1/8	D3	SF	9/16	2	1/2	24.7	
13.0	13.4	11.25	1301C	9/16	C3	SF	1/8	2	1/16	21.5	1/8	D3	SF	9/16	2	1/2	26.9	
14.0	14.4	12.25	1401C	9/16	C3	SF	1/8	2	1/16	23.3	1/8	D3	SF	9/16	2	1/2	28.9	
16.0	16.4	14.12	1601C	9/16	C3	SF	1/8	2	1/16	26.5	1/8	D3	SF	9/16	2	1/2	35.2	
18.0	18.4	16.06	1801C	9/16	C3	SF	1/8	2	1/16	32.5	1/8	D3	SF	9/16	2	1/2	45.2	
20.0	20.4	18.06	2001C	9/16	C3	SF	1/8	2	1/16	34.8	1/8	D3	SF	9/16	2	1/2	45.1	
24.0	24.4	22.18	2401C	9/16	C3	SF	1/8	2	1/16	44.2	1/8	D3	SF	9/16	2	1/2	60.6	
27.0	27.4	25.06	-	-	-	-	-	-	-	-	2702C	3/4	C3	F	5/16	3-5/8	1/2	89.8
30.0	30.4	28.18	-	-	-	-	-	-	-	-	3002C	3/4	C3	F	5/16	3-5/8	1/2	114.8

Datum Dia.	O.D.	I.D.	Product No.	3 GROOVE							Product No.	4 GROOVE						
				F = 3-3/8								F = 4-3/8						
				E *	Type	Bush.	K	L	M	Wt.		E *	Type	Bush.	K	L	M	Wt.
5.0	5.4	3.25	503C	7/16	A1	SD	1-1/16	1-13/16	1-1/8	9.7	504C	15/16	A1	SD	1-9/16	1-13/16	1-5/8	11.3
5.6	6.0	3.75	563C	11/16	A1	SD	1-5/16	1-13/16	7/8	12.2	564C	15/16	A1	SD	1-9/16	1-13/16	1-5/8	13.9
6.0	6.4	4.68	603C	5/8	A1	SF	1-5/16	2	3/4	12.4	604C	7/8	A1	SF	1-9/16	2	1-1/2	13.9
7.0	7.4	5.25	703C	5/8	A1	SF	1-5/16	2	3/4	18.2	704C	7/8	A1	SF	1-9/16	2	1-1/2	20.3
7.5	7.9	5.75	753C	5/8	A1	SF	1-5/16	2	3/4	20.5	754C	7/8	A1	SF	1-9/16	2	1-1/2	23.5
8.0	8.4	6.25	803C	27/32	B1	E	1-3/4	2-5/8	3/32	27.6	804C	1-3/32	A1	E	2	2-5/8	21/32	30.9
8.5	8.9	6.75	853C	27/32	B1	E	1-3/4	2-5/8	3/32	30.6	854C	1-3/32	A1	E	2	2-5/8	21/32	34.2
9.0	9.4	7.25	903C	27/32	B1	E	1-3/4	2-5/8	3/32	33.8	904C	1-3/32	A1	E	2	2-5/8	21/32	37.6
9.5	9.9	7.68	953C	27/32	B1	E	1-3/4	2-5/8	3/32	37.5	954C	1-3/32	A1	E	2	2-5/8	21/32	39.8
10.0	10.4	8.25	1003C	27/32	B1	E	1-3/4	2-5/8	3/32	40.7	1004C	1-3/32	A1	E	2	2-5/8	21/32	45.8
10.5	10.9	8.75	1053C	27/32	B2	E	1-3/4	2-5/8	3/32	38.3	1054C	1-3/32	A2	E	2	2-5/8	21/32	42.8
11.0	11.4	9.25	1103C	27/32	B2	E	1-3/4	2-5/8	3/32	40.5	1104C	1-3/32	A2	E	2	2-5/8	21/32	45.3
12.0	12.4	10.25	1203C	27/32	B2	E	1-3/4	2-5/8	3/32	45.3	1204C	1-3/32	A2	E	2	2-5/8	21/32	50.5
13.0	13.4	11.25	1303C	27/32	B2	E	1-3/4	2-5/8	3/32	49.3	1304C	1-3/32	A2	E	2	2-5/8	21/32	56.3
14.0	14.4	12.25	1403C	27/32	B2	E	1-3/4	2-5/8	3/32	48.6	1404C	1-3/32	A3	E	2	2-5/8	21/32	57.6
16.0	16.4	14.12	1603C	27/32	B3	E	1-3/4	2-5/8	3/32	58.0	1604C	1-3/32	A3	E	2	2-5/8	21/32	67.1
18.0	18.4	16.06	1803C	27/32	B3	E	1-3/4	2-5/8	3/32	72.6	1804C	1-3/32	A3	E	2	2-5/8	21/32	82.7
20.0	20.4	18.06	2003C	3/32	A3	E	1	2-5/8	21/32	75.8	2004C	19/32	A3	E	1-1/2	2-5/8	1-5/32	90.5
24.0	24.4	22.06	2403C	3/32	A3	E	1	2-5/8	21/32	85.6	2404C	1/4	A3	F	1-5/16	3-5/8	1/2	110.8
27.0	27.4	25.06	2703C	1/4	C3	F	13/16	3-5/8	0	121.0	2704C	1/4	A3	F	1-5/16	3-5/8	1/2	138.0
30.0	30.4	28.18	3003C	1/4	C3	F	13/16	3-5/8	0	129.1	3004C	1/4	A3	F	1-5/16	3-5/8	1/2	150.1
36.0	36.4	34.12	3603C	1/4	C3	F	13/16	3-5/8	0	177.1	3604C	1/4	A3	F	1-5/16	3-5/8	1/2	211.1
44.0	44.4	41.88	4403C	1/4	C3	F	13/16	3-5/8	0	260.1	4404C	5/16	B3	J	1-9/16	4-1/2	7/16	296.5
50.0	50.4	48.00	5003C	1/4	C3	F	13/16	3-5/8	0	295.0	5004C	5/16	B3	J	1-9/16	4-1/2	7/16	335.0

\* "E" Dimension varies according to shaft tolerance.

Weights for all Sure-Grip bushed items are approximate and include the bushing.

P.D. is same as O.D.



Type A

Type B

Type C

Type D

Sure-Grip Bushing dimensions — see section A1

# Stock Classical (Conventional) Sheaves C

## Dimensions

### DIMENSIONS (In Inches)

Datum Dia.	O.D. ◆	I.D.	Product No.	5 GROOVE							Product No.	6 GROOVE						
				F = 5-3/8								F = 6-3/8						
				E *	Type	Bush.	K	L	M	Wt.		E *	Typr	Bush.	K	L	M	Wt.
6.0	6.6	4.68	605C	1-5/16	A1	SF	1-15/16	2	2-1/16	15.5	606C	1-5/16	A1	SF	1-15/16	2	3-1/16	17.0
7.0	7.4	5.25	705C	1-1/4	A1	SF	1-15/16	2	2-1/8	23.8	706C	1-1/4	A1	SF	1-15/16	2	3-1/8	26.6
7.5	7.9	5.75	755C	1-1/4	A1	SF	1-15/16	2	2-1/8	26.6	756C	1-1/4	A1	SF	1-15/16	2	3-1/8	29.6
8.0	8.4	6.25	805C	1-15/32	A1	E	2-3/8	2-5/8	1-9/32	36.0	806C	1-15/32	A1	E	2-1/8	2-3/8	2-9/32	37.5
8.5	8.9	6.75	855C	1-15/32	A1	E	2-3/8	2-5/8	1-9/32	37.7	856C	1-15/32	A1	E	2-1/8	2-3/8	2-9/32	41.3
9.0	9.4	7.25	905C	1-15/32	A1	E	2-3/8	2-5/8	1-9/32	41.4	906C	1-3/8	A1	F	2-7/16	3-5/8	1-3/8	53.4
9.5	9.9	7.68	955C	1-15/32	A1	E	2-3/8	2-5/8	1-9/32	46.0	956C	1-3/8	A1	F	2-7/16	3-5/8	1-3/8	59.5
10.0	10.4	8.24	1005C	1-15/32	A1	E	2-3/8	2-5/8	1-9/32	49.3	1006C	1-3/8	A1	F	2-7/16	3-5/8	1-3/8	66.1
10.5	10.9	8.75	1055C	1-15/32	A2	E	2-3/8	2-5/8	1-9/32	47.8	1056C	1-3/8	A1	F	2-7/16	3-5/8	1-3/8	70.4
11.0	11.4	9.25	1105C	1-15/32	A2	E	2-3/8	2-5/8	1-9/32	50.0	1106C	1-3/8	A1	F	2-7/16	3-5/8	1-3/8	76.6
12.0	12.4	10.25	1205C	1-15/32	A2	E	2-3/8	2-5/8	1-9/32	55.7	1206C	1-3/8	A2	F	2-7/16	3-5/8	1-3/8	72.9
13.0	13.4	11.25	1305C	1-15/32	A2	E	2-3/8	2-5/8	1-9/32	62.0	1306C	1-3/8	A2	F	2-7/16	3-5/8	1-3/8	80.4
14.0	14.4	12.25	1405C	1-15/32	A3	E	2-3/8	2-5/8	1-9/32	64.1	1406C	1-3/8	A3	F	2-7/16	3-5/8	1-3/8	83.4
16.0	16.4	14.12	1605C	1-15/32	A3	E	2-3/8	2-5/8	1-9/32	78.1	1606C	1-3/8	A3	F	2-7/16	3-5/8	1-3/8	98.1
18.0	18.4	16.06	1805C	1-15/32	A3	E	2-3/8	2-5/8	1-9/32	92.9	1806C	1-3/8	A3	F	2-7/16	3-5/8	1-3/8	108.7
20.0	20.4	18.12	2005C	1/4	A3	F	1-5/16	3-5/8	1-1/2	109.5	2006C	7/8	A3	F	1-15/16	3-5/8	1-7/8	120.2
24.0	24.4	22.06	2405C	1/4	A3	F	1-5/16	3-5/8	1-1/2	141.0	2406C	7/8	A3	F	1-15/16	3-5/8	1-7/8	132.5
27.0	27.4	25.06	2705C	1/4	A3	F	1-5/16	3-5/8	1-1/2	159.0	2706C	5/16	A3	J	1-9/16	4-1/2	1-9/16	190.0
30.0	30.4	28.18	3005C	1/4	A3	F	1-5/16	3-5/8	1-1/2	171.2	3006C	5/16	A3	J	1-9/16	4-1/2	1-9/16	214.5
36.0	36.4	34.12	3605C	5/16	A3	J	1-9/16	4-1/2	9/16	236.3	3606C	5/16	A3	J	1-9/16	4-1/2	1-9/16	280.5
44.0	44.4	41.88	4405C	5/16	A3	J	1-9/16	4-1/2	9/16	309.2	4406C	5/16	A3	J	1-9/16	4-1/2	1-9/16	347.5
50.0	50.4	48.00	5005C	5/16	A3	J	1-9/16	4-1/2	9/16	395.0	5006C	15/32	B3	M	1-15/16	6-3/4	27/32	485.0

Datum Dia.	O.D. ◆	I.D.	Product No.	7 GROOVE							Product No.	8 GROOVE						
				F = 7-3/8								F = 8-3/8						
				E *	Type	Bush.	K	L	M	Wt.		E *	Type	Bush.	K	L	M	Wt.
7.0	7.4	5.25	707C	2-1/4	A1	SF	2-15/16	2	3-1/8	29.4	708C	2-7/16	A1	SF	3-1/8	2	3-15/16	32.2
8.0	8.4	6.25	807C	2-11/32	A1	E	3-1/4	2-5/8	2-13/32	40.9	808C	2-11/32	A1	E	3-1/4	2-5/8	3-13/32	44.2
8.5	8.9	6.75	857C	2-11/32	A1	E	3-1/4	2-5/8	2-13/32	44.8	858C	2-11/32	A1	E	3-1/4	2-5/8	3-13/32	48.4
9.0	9.4	7.25	907C	2-1/4	A1	F	3-5/16	3-5/8	1-1/2	57.1	908C	2-1/4	A1	F	3-5/16	3-5/8	2-1/2	60.9
9.5	9.9	7.68	957C	2-1/4	A1	F	3-5/16	3-5/8	1-1/2	63.7	958C	2-1/4	A1	F	3-5/16	3-5/8	2-1/2	68.0
10.0	10.4	8.24	1007C	2-1/4	A1	F	3-5/16	3-5/8	1-1/2	68.7	1008C	2-1/4	A1	F	3-5/16	3-5/8	2-1/2	75.1
10.5	10.9	8.75	1057C	2-1/4	A1	F	3-5/16	3-5/8	1-1/2	74.9	1058C	2-1/4	A1	F	3-5/16	3-5/8	2-1/2	79.4
11.0	11.4	9.25	1107C	2-1/4	A1	F	3-5/16	3-5/8	1-1/2	81.3	1108C	2-1/4	A1	F	3-5/16	3-5/8	2-1/2	86.0
12.0	12.4	10.25	1207C	2-1/4	A2	F	3-5/16	3-5/8	1-1/2	78.1	1208C	2-1/4	A2	F	3-5/16	3-5/8	2-1/2	83.3
13.0	13.4	11.25	1307C	2-1/4	A2	F	3-5/16	3-5/8	1-1/2	86.0	1308C	2-1/4	A2	F	3-5/16	3-5/8	2-1/2	91.7
14.0	14.4	12.25	1407C	2-1/4	A2	F	3-5/16	3-5/8	1-1/2	92.2	1408C	2-1/4	A2	F	3-5/16	3-5/8	2-1/2	100.8
16.0	16.4	14.12	1607C	2-1/4	A2	F	3-5/16	3-5/8	1-1/2	111.1	1608C	2-1/4	A2	F	3-5/16	3-5/8	2-1/2	119.0
18.0	18.4	16.06	1807C	2-1/4	A3	F	3-5/16	3-5/8	1-1/2	124.3	1808C	2-1/4	A3	F	3-5/16	3-5/8	2-1/2	133.7
20.0	20.4	18.12	2007C	5/16	A3	J	1-9/16	4-1/2	2-9/16	155.3	2008C	5/16	A3	J	1-9/16	4-1/2	3-9/16	162.0
24.0	24.4	22.06	2407C	5/16	A3	J	1-9/16	4-1/2	2-9/16	184.5	2408C	5/16	A3	J	1-9/16	4-1/2	3-9/16	189.4
27.0	27.4	25.06	2707C	5/16	A3	J	1-9/16	4-1/2	2-9/16	211.8	2708C	5/16	A3	J	1-9/16	4-1/2	3-9/16	242.3
30.0	30.4	28.18	3007C	5/16	A3	J	1-9/16	4-1/2	2-9/16	236.8	3008C	5/16	A3	J	1-9/16	4-1/2	3-9/16	256.0
36.0	36.4	34.12	3607C	5/16	A3	J	1-9/16	4-1/2	2-9/16	300.5	3608C	15/32	A3	M	1-15/16	6-3/4	1-5/32	406.0
44.0	44.4	41.97	4407C	15/32	A3	M	1-15/16	6-3/4	5/32	484.0	4408C	15/32	A3	M	1-15/16	6-3/4	1-5/32	510.0
50.0	50.4	48.00	5007C	15/32	A3	M	1-15/16	6-3/4	5/32	563.0	5008C	15/32	A3	M	1-15/16	6-3/4	1-5/32	600.0

\* "E" Dimension varies according to shaft tolerance.

Weights for all Sure-Grip bushed items are approximate and include the bushing.

◆ P.D. is same as O.D.

Sure-Grip Bushing dimensions — see section A1

# Stock Classical (Conventional) Sheaves C

## Dimensions

### DIMENSIONS (In Inches)

Datum Dia.	O.D. ♦	I.D.	Product No.	9 GROOVE							Product No.	10 GROOVE						
				F = 9-3/8								F = 10-3/8						
				E *	Type	Bush.	K	L	M	Wt.		E *	Type	Bush.	K	L	M	Wt.
8.0	8.4	6.25	809C	2-11/32	A1	E	3-1/4	2-5/8	4-13/32	47.5	8010C	2-11/32	A1	E	3-1/4	2-5/8	5-13/32	50.8
8.5	8.9	6.75	859C	2-11/32	A1	E	3-1/4	2-5/8	4-13/32	51.9	8510C	2-11/32	A1	E	3-1/4	2-5/8	5-13/32	55.5
9.0	9.4	7.25	909C	2-5/16	A1	J	3-9/16	4-1/2	2-9/16	71.0	9010C	2-5/16	A1	J	3-9/16	4-1/2	3-9/16	74.5
9.5	9.9	7.68	959C	2-5/16	A1	J	3-9/16	4-1/2	2-9/16	79.6	9510C	2-5/16	A1	J	3-9/16	4-1/2	3-9/16	83.8
10.0	10.4	8.24	1009C	2-5/16	A1	J	3-9/16	4-1/2	2-9/16	85.9	10010C	2-5/16	A1	J	3-9/16	4-1/2	3-9/16	90.1
10.5	10.9	8.75	1059C	2-5/16	A1	J	3-9/16	4-1/2	2-9/16	93.7	10510C	2-5/16	A1	J	3-9/16	4-1/2	3-9/16	98.2
11.0	11.4	9.25	1109C	2-5/16	A1	J	3-9/16	4-1/2	2-9/16	101.9	11010C	2-5/16	A1	J	3-9/16	4-1/2	3-9/16	106.6
12.0	12.4	10.25	1209C	2-5/16	A1	J	3-9/16	4-1/2	2-9/16	119.1	12010C	2-5/16	A1	J	3-9/16	4-1/2	3-9/16	124.4
13.0	13.4	11.25	1309C	2-5/16	A2	J	3-9/16	4-1/2	2-9/16	111.9	13010C	2-5/16	A2	J	3-9/16	4-1/2	3-9/16	117.6
14.0	14.4	12.25	1409C	2-5/16	A2	J	3-9/16	4-1/2	2-9/16	120.5	14010C	2-5/16	A2	J	3-9/16	4-1/2	3-9/16	126.8
16.0	16.4	14.12	1609C	2-5/16	A2	J	3-9/16	4-1/2	2-9/16	146.2	16010C	2-5/16	A2	J	3-9/16	4-1/2	3-9/16	157.3
18.0	18.4	16.06	1809C	2-5/16	A3	J	3-9/16	4-1/2	2-9/16	155.3	18010C	2-5/16	A3	J	3-9/16	4-1/2	3-9/16	164.7
20.0	20.4	18.12	2009C	1-13/16	A3	J	3-1/16	4-1/2	3-1/16	175.2	20010C	2-5/16	A3	J	3-9/16	4-1/2	3-9/16	185.7
24.0	24.4	22.06	2409C	1-13/16	A3	J	3-1/16	4-1/2	3-1/16	207.7	24010C	15/32	A3	M	1-15/16	6-3/4	3-5/32	297.8
27.0	27.4	25.06	2709C	1-13/16	A3	J	3-1/16	4-1/2	3-1/16	242.8	-	-	-	-	-	-	-	-
30.0	30.4	28.18	3009C	15/32	A3	M	1-15/16	6-3/4	2-5/32	351.5	30010C	15/32	A3	M	1-15/16	6-3/4	3-5/32	366.8
36.0	36.4	34.12	3609C	15/32	A3	M	1-15/16	6-3/4	2-5/32	425.0	36010C	15/32	A3	M	1-15/16	6-3/4	3-5/32	445.0
44.0	44.4	42.12	4409C	15/32	A3	M	1-15/16	6-3/4	2-5/32	535.0	44010C	15/32	A3	M	1-15/16	6-3/4	3-5/32	595.0
50.0	50.4	48.00	5009C	15/32	A3	M	1-15/16	6-3/4	2-5/32	623.0	50010C	15/32	A3	M	1-15/16	6-3/4	3-5/32	695.0

Datum Dia.	O.D. ♦	I.D.	Product No.	12 GROOVE						
				F = 12-3/8						
				E *	Type	Bsuh.	K	L	M	Wt.
9.0	9.4	7.25	9012C	2-13/16	A1	J	4-1/16	4-1/2	5-1/16	81.5
9.5	9.9	7.68	9512C	2-13/16	A1	J	4-1/16	4-1/2	5-1/16	92.2
10.0	10.4	8.25	10012C	2-13/16	A1	J	4-1/16	4-1/2	5-1/16	98.6
10.5	10.9	8.75	10512C	2-13/16	A1	J	4-1/16	4-1/2	5-1/16	107.2
11.0	11.4	9.25	11012C	2-13/16	A1	J	4-1/16	4-1/2	5-1/16	116.1
12.0	12.4	10.25	12012C	2-13/16	A1	J	4-1/16	4-1/2	5-1/16	134.8
13.0	13.4	11.25	13012C	2-13/16	A1	J	4-1/16	4-1/2	5-1/16	159.5
14.0	14.4	12.25	14012C	2-13/16	A1	J	4-1/16	4-1/2	5-1/16	143.3
16.0	16.4	14.12	16012C	2-13/16	A2	J	4-1/16	4-1/2	5-1/16	169.5
18.0	18.4	16.06	18012C	2-13/16	A3	J	4-1/16	4-1/2	5-1/16	188.0
20.0	20.4	18.06	20012C	15/32	A2	M	1-15/16	6-3/4	5-5/32	292.1
24.0	24.4	22.18	24012C	15/32	A3	M	1-15/16	6-3/4	5-5/32	360.9
30.0	30.4	28.12	30012C	15/32	A3	M	1-15/16	6-3/4	5-5/32	397.4
36.0	36.4	34.12	36012C	15/32	A3	M	1-15/16	6-3/4	5-5/32	483.0
44.0	44.4	42.12	44012C	15/32	A3	M	1-15/16	6-3/4	5-5/32	645.0
50.0	50.4	48.00	50012C	15/32	A3	M	1-15/16	6-3/4	5-5/32	755.0

\* "E" Dimension varies according to shaft tolerance.  
 Weights for all Sure-Grip bushed items are approximate and include the bushing.  
 ♦ P.D. is same as O.D.

# Stock Classical (Conventional) Sheaves D

## Dimensions

These Classical Sheaves are designed to carry the loads of all belts shown in this catalog and other similarly rated V-Belts. For special higher rated V-Belts, consult Wood's Application Engineering Department for recommendations.

The sheaves listed below are all stock sizes. The dimensions given are with the Sure-Grip bushing in place. The figure following the letter in the "Type" column indicates the sheave construction: 1-Solid; 2-Web, 3-Arms.

### DIMENSIONS (In Inches)

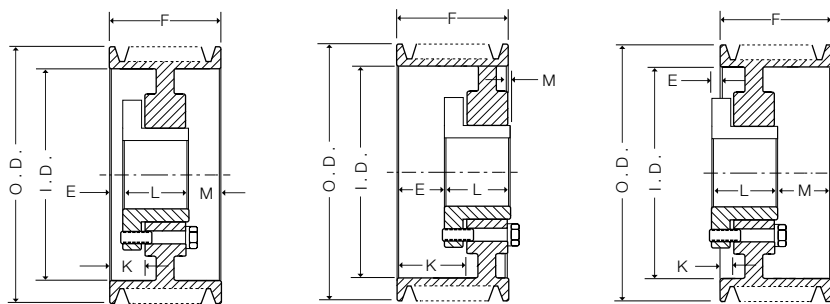
Datum Dia.	O.D. $\blacklozenge$	I.D.	Product No.	3 GROOVE							Product No.	4 GROOVE						
				F = 4-5/8								F = 6-1/16						
				E *	Type	Bush.	K	L	M	Wt.		E *	Type	Bsuh.	K	L	M	Wt.
12.0	12.6	9.75	1203D	7/16	A2	F	1-1/2	3-5/8	9/16	69.6	1204D	1-1/4	A2	F	2-5/16	3-5/8	1-3/16	79.5
13.0	13.6	10.75	1303D	7/16	A2	F	1-1/2	3-5/8	9/16	73.4	1304D	1-1/4	A2	F	2-5/16	3-5/8	1-3/16	85.2
13.5	14.1	11.25	1353D	7/16	A2	F	1-1/2	3-5/8	9/16	76.6	1354D	1-1/4	A2	F	2-5/16	3-5/8	1-3/16	89.1
14.0	14.6	11.75	1403D	7/16	A2	F	1-1/2	3-5/8	9/16	79.8	1404D	1-1/4	A2	F	2-5/16	3-5/8	1-3/16	93.1
14.5	15.1	12.25	1453D	7/16	A2	F	1-1/2	3-5/8	9/16	83.2	1454D	1-1/4	A2	F	2-5/16	3-5/8	1-3/16	97.2
15.0	15.6	12.75	1503D	7/16	A2	F	1-1/2	3-5/8	9/16	89.3	1504D	1-1/4	A2	F	2-5/16	3-5/8	1-3/16	101.3
15.5	16.1	13.25	1553D	7/16	A2	F	1-1/2	3-5/8	9/16	90.7	1554D	1-1/4	A2	F	2-5/16	3-5/8	1-3/16	103.2
16.0	16.6	13.75	1603D	7/16	A2	F	1-1/2	3-5/8	9/16	94.6	1604D	1-1/4	A2	F	2-5/16	3-5/8	1-3/16	107.5
17.0	17.6	14.75	-	-	-	-	-	-	-	-	1704D	1-5/16	A2	J	2-9/16	4-1/2	1/4	144.9
18.0	18.6	15.62	1803D	1/16	D3	J	1-3/16	4-1/2	3/16	124.9	1804D	1-5/16	A2	J	2-9/16	4-1/2	1/4	144.9
20.0	20.6	17.50	-	-	-	-	-	-	-	-	2004D	5/16	A3	J	1-9/16	4-1/2	1-1/4	151.3
22.0	22.6	19.44	2203D	1/16	D3	J	1-3/16	4-1/2	3/16	139.5	2204D	5/16	A3	J	1-9/16	4-1/2	1-1/4	174.5
24.0	24.6	21.44	2403D	1/16	D3	J	1-3/16	4-1/2	3/16	153.5	2404D	5/16	A3	J	1-9/16	4-1/2	1-1/4	188.5
27.0	27.6	24.25	2703D	1/16	D3	J	1-3/16	4-1/2	3/16	179.5	2704D	5/16	A3	J	1-9/16	4-1/2	1-1/4	209.5
33.0	33.6	30.18	3303D	1/16	D3	J	1-3/16	4-1/2	3/16	226.5	3304D	15/32	B3	M	1-15/16	6-3/8	1-5/32	341.0
40.0	40.6	37.18	4003D	1/16	D3	J	1-3/16	4-1/2	3/16	272.5	4004D	15/32	B3	M	1-15/16	6-3/4	1-5/32	435.0

Datum Dia.	O.D. $\blacklozenge$	I.D.	Product No.	5 GROOVE							
				F = 7-1/2							
				E *	Type	Bush.	K	L	M	Wt.	
12.0	12.6	9.75	1205D	2	A1	F	3-1/16	3-5/8	1-7/8	100.1	
13.0	13.6	10.75	1305D	2	A2	F	3-1/16	3-5/8	1-7/8	95.5	
13.5	14.1	11.25	1355D	2	A2	F	3-1/16	3-5/8	1-7/8	99.8	
14.0	14.6	11.75	1405D	2	A2	F	3-1/16	3-5/8	1-7/8	106.8	
14.5	15.1	12.25	1455D	2	A2	F	3-1/16	3-5/8	1-7/8	111.2	
15.0	15.6	12.75	1505D	2	A2	F	3-1/16	3-5/8	1-7/8	116.1	
15.5	16.1	13.25	1555D	2	A2	F	3-1/16	3-5/8	1-7/8	118.4	
16.0	16.6	13.75	1605D	2	A2	F	3-1/16	3-5/8	1-7/8	123.5	
17.0	17.6	14.75	1705D	2-1/16	A2	J	3-5/16	4-1/2	15/16	144.1	
18.0	18.6	15.62	1805D	2-1/16	A2	J	3-5/16	4-1/2	15/16	160.9	
20.0	20.6	17.50	2005D	5/16	A3	J	1-9/16	4-1/2	2-11/16	170.5	
22.0	22.6	19.44	2205D	5/16	A3	J	1-9/16	4-1/2	2-11/16	191.5	
24.0	24.6	21.44	2405D	5/16	A3	J	1-9/16	4-1/2	2-11/16	210.5	
27.0	27.6	24.38	2705D	15/32	A3	M	1-15/16	6-3/4	9/32	320.0	
33.0	33.6	30.18	3305D	15/32	A3	M	1-15/16	6-3/4	9/32	373.0	
40.0	40.6	37.18	4005D	15/32	A3	M	1-15/16	6-3/4	9/32	469.0	
48.0	48.6	45.06	4805D	15/32	A3	M	1-15/16	6-3/4	9/32	591.0	
58.0	58.6	55.06	5805D	15/32	A3	M	1-15/16	6-3/4	9/32	715.0	

\* "E" Dimension varies according to shaft tolerance.

Weights for all Sure-Grip bushed items are approximate and include the bushing.

$\blacklozenge$  P.D. is same as O.D.



Type A

Type B

Type D

Sure-Grip Bushing dimensions — see section A1

# Stock Classical (Conventional) Sheaves D

## Dimensions

### DIMENSIONS (In Inches)

Datum Dia.	O.D. ◆	I.D.	Product No.	6 GROOVE							Product No.	8 GROOVE						
				F = 8-15/16								F = 11-13/16						
				E *	Type	Bush.	K	L	M	Wt.		E *	Type	Bush.	K	L	M	Wt.
12.0	12.6	9.75	1206D	2-1/16	A1	J	3-5/16	4-1/2	2-3/8	121.9	1208D	2-5/16	A1	J	3-9/16	4-1/2	5	140.5
13.0	13.6	10.75	1306D	2-1/16	A2	J	3-5/16	4-1/2	2-3/8	120.3	1308D	2-5/16	A1	J	3-9/16	4-1/2	5	163.5
13.5	14.1	11.25	1356D	2-1/16	A2	J	3-5/16	4-1/2	2-3/8	125.8	1358D	2-5/16	A1	J	3-9/16	4-1/2	5	176.5
14.0	14.6	11.75	1406D	2-1/16	A2	J	3-5/16	4-1/2	2-3/8	131.4	1408D	2-5/16	A2	J	3-9/16	4-1/2	5	157.5
14.5	15.1	12.25	1456D	2-1/16	A2	J	3-5/16	4-1/2	2-3/8	137.1	1458D	2-5/16	A2	J	3-9/16	4-1/2	5	167.5
15.0	15.6	12.75	1506D	2-1/16	A2	J	3-5/16	4-1/2	2-3/8	142.9	1508D	2-5/16	A2	J	3-9/16	4-1/2	5	170.5
15.5	16.1	13.25	1556D	2-1/16	A2	J	3-5/16	4-1/2	2-3/8	148.9	1558D	2-5/16	A2	J	3-9/16	4-1/2	5	175.2
16.0	16.6	13.75	1606D	2-1/16	A2	J	3-5/16	4-1/2	2-3/8	155.0	1608D	2-5/16	A2	J	3-9/16	4-1/2	5	182.3
17.0	17.6	14.75	1706D	2-1/16	A2	J	3-5/16	4-1/2	2-3/8	161.3	1708D	2-5/16	A2	vvv	3-9/16	4-1/2	5	192.3
18.0	18.6	15.62	1806D	2-1/16	A2	J	3-5/16	4-1/2	2-3/8	180.9	1808D	2-15/32	A2	M	3-15/16	6-3/4	2-19/32	276.7
20.0	20.6	17.50	2006D	2-1/16	A3	J	3-5/16	4-1/2	2-3/8	189.6	2008D	2-15/32	A2	M	3-15/16	6-3/4	2-19/32	306.0
22.0	22.6	19.44	2206D	15/32	A3	M	1-15/16	6-3/4	1-23/32	281.0	2208D	15/32	A3	M	1-15/16	6-3/4	4-19/32	342.0
24.0	24.6	21.44	2406D	15/32	A3	M	1-15/16	6-3/4	1-23/32	306.0	-	-	-	-	-	-	-	-
27.0	27.6	24.38	2706D	15/32	A3	M	1-15/16	6-3/4	1-23/32	346.0	2708D	15/32	A3	M	1-15/16	6-3/4	4-19/32	406.0
33.0	33.6	30.18	3306D	15/32	A3	M	1-15/16	6-3/4	1-23/32	419.0	3308D	15/32	A3	M	1-15/16	6-3/4	4-19/32	488.0
40.0	40.6	37.18	4006D	15/32	A3	M	1-15/16	6-3/4	1-23/32	510.0	4008D	9/16	A3	N	2-1/4	8-1/8	3-1/8	657.0
48.0	48.6	45.06	4806D	15/32	A3	M	1-15/16	6-3/4	1-23/32	667.0	4808D	9/16	A3	N	2-1/4	8-1/8	3-1/8	820.0
58.0	58.6	55.06	5806D	9/16	A3	N	2-1/4	8-1/8	1/4	889.0	5808D	9/16	A3	N	2-1/4	8-1/8	3-1/8	1088.0

Datum Dia.	O.D. ◆	I.D.	Product No.	10 GROOVE							Product No.	12 GROOVE						
				F = 14-11/16								F = 17-9/16						
				E *	Type	Bush.	K	L	M	Wt.		E *	Type	Bush.	K	L	M	Wt.
12.0	12.6	9.75	12010D	2-15/32	A1	M	3-15/16	6-3/4	5-15/32	197.0	12012D	3-15/32	A1	M	4-15/16	6-3/4	7-11/32	210.9
13.0	13.6	10.75	13010D	2-15/32	A1	M	3-15/16	6-3/4	5-15/32	223.8	13012D	3-15/32	A1	M	4-15/16	6-3/4	7-11/32	244.3
13.5	14.1	11.25	13510D	2-15/32	A1	M	3-15/16	6-3/4	5-15/32	240.1	13512D	3-15/32	A1	M	4-15/16	6-3/4	7-11/32	261.4
14.0	14.6	11.69	14010D	2-15/32	A1	M	3-15/16	6-3/4	5-15/32	263.0	14012D	3-15/32	A1	M	4-15/16	6-3/4	7-11/32	279.1
14.5	15.1	12.25	14510D	2-15/32	A1	M	3-15/16	6-3/4	5-15/32	274.1	14512D	3-15/32	A1	M	4-15/16	6-3/4	7-11/32	297.2
15.0	15.6	12.75	15010D	2-15/32	A1	M	3-15/16	6-3/4	5-15/32	291.9	15012D	3-15/32	A1	M	4-15/16	6-3/4	7-11/32	315.9
15.5	16.1	13.25	15510D	2-15/32	A1	M	3-15/16	6-3/4	5-15/32	310.2	15512D	3-15/32	A1	M	4-15/16	6-3/4	7-11/32	335.1
16.0	16.6	13.69	16010D	2-15/32	A2	M	3-15/16	6-3/4	5-15/32	297.0	16012D	3-15/32	A2	M	4-15/16	6-3/4	7-11/32	313.6
17.0	17.6	14.69	17010D	2-15/32	A2	M	3-15/16	6-3/4	5-15/32	305.0	17012D	3-15/32	A2	M	4-15/16	6-3/4	7-11/32	323.3
18.0	18.6	15.62	18010D	2-15/32	A2	M	3-15/16	6-3/4	5-15/32	310.9	18012D	3-15/32	A2	M	4-15/16	6-3/4	7-11/32	351.1
20.0	20.6	17.50	20010D	2-15/32	A2	M	3-15/16	6-3/4	5-15/32	346.2	20012D	3-15/32	A2	M	4-15/16	6-3/4	7-11/32	386.3
22.0	22.6	19.44	22010D	1-15/32	A3	M	2-15/16	6-3/4	6-15/32	391.0	22012D	2-15/32	A3	M	3-15/16	6-3/4	8-11/32	426.0
27.0	27.6	24.38	27010D	1-15/32	A3	M	2-15/16	6-3/4	6-15/32	459.0	27012D	2-9/16	A3	N	4-1/4	8-1/8	6-7/8	572.0
33.0	33.6	30.18	33010D	1-9/16	A3	N	3-1/4	8-1/8	5	690.0	33012D	2-9/16	A3	N	4-1/4	8-1/8	6-7/8	705.0
40.0	40.6	37.18	40010D	1-9/16	A3	N	3-1/4	8-1/8	5	813.0	40012D	3/4	A3	P	2-5/8	9-3/8	7-7/16	957.0
48.0	48.6	45.06	48010D	3/4	A3	P	2-5/8	9-3/8	4-9/16	1132.0	48012D	3/4	A3	P	2-5/8	9-3/8	7-7/16	1287.0
58.0	58.6	55.06	58010D	3/4	A3	P	2-5/8	9-3/8	4-9/16	1301.0	58012D	3/4	A3	P	2-5/8	9-3/8	7-7/16	1493.0

\* "E" Dimension varies according to shaft tolerance.

Weights for all Sure-Grip bushed items are approximate and include the bushing.

◆ P.D. is same as O.D.

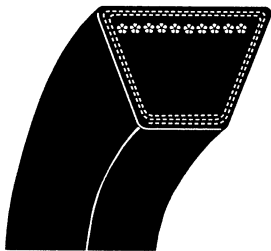
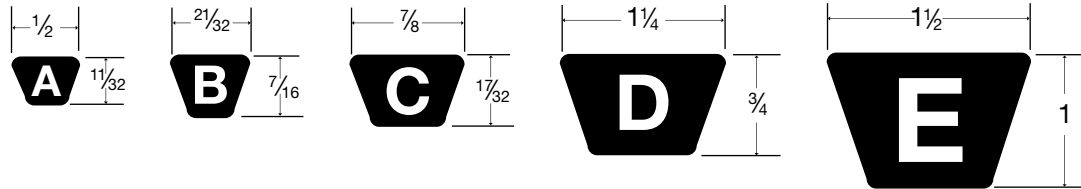
Sure-Grip Bushing dimensions — see section A1



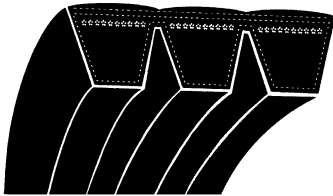
# Classical (Conventional) V-Belt

## Features

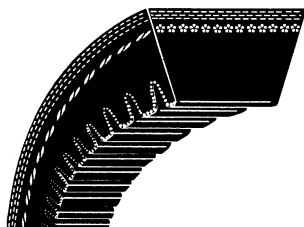
The Classical (also known as Conventional) V-belts include five cross sections . . . A, B, C, D, and E. These sections are a continuing development of the original V-belts of the 1930's. A, B, C, and D belts are available in wrapped or cog construction and all are static conducting, and oil and heat resistant. **Note: E section V-belts are available for replacement on existing drives, but are not recommended for new drive designs.**



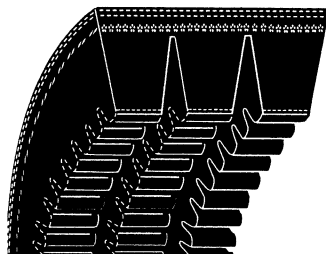
**Classical V-belts** . . . are the finest wrapped belts in industry and are designed to provide premium performance at standard prices. The belts have a specially constructed cover fabric for optimum flexibility and abrasion resistant characteristics. Belts perform their best when operating on sheave diameters no smaller than RMA/MPTA recommended: A = 3.0, B = 5.4, C = 9.0, D = 13.0, and E = 21.0.



**Classical Banded V-belts** . . . all the same features of the standard wrapped belt, but with the added benefit of multiple belts in a single belt. Should be considered for those problem drives where long center distance, vibration, pulsating or shock loads cause individual belts to whip, turn over, or jump out of sheave grooves. B and C belts available in 2 thru 5 ribs and D belts available in 3 thru 5 ribs.



**Classical Cog V-belts** . . . premium raw edge, cog construction. On average, 30% higher horsepower rating than standard wrapped belts. The molded cogs offer greater flexibility and better heat dissipation, especially on those punishing drives where bending stresses created by sub-minimum diameter sheaves dramatically reduce the life of standard belts.



**Classical Cog Banded V-belts** . . . same raw edge, cog construction as the individual belt. Can be used on those same problem applications as the standard, wrapped Classical belt. Available in BX and CX belts in 2 thru 5 ribs.

**Warning: Do not mix raw edge cog and wrapped construction belts on the same drive.**

# Classical (Conventional) V-Belts

## Dimensions

### AP Belts

Product No.	Datum Length	Weight
AP21	22.3	.2
AP22	23.3	.2
AP23	24.3	.2
AP24	25.3	.2
AP26	27.3	.2
AP27	28.3	.2
AP28	29.3	.2
AP29	30.3	.2
AP30	31.3	.2
AP31	32.3	.2
AP33	34.3	.2
AP34	35.3	.2
AP35	36.3	.2
AP36	37.3	.2
AP37	38.3	.2
AP38	39.3	.2
AP39	40.3	.3
AP40	41.3	.3
AP41	42.3	.3
AP42	43.3	.3
AP43	44.3	.3
AP44	45.3	.3
AP45	46.3	.3
AP46	47.3	.3
AP47	48.3	.3
AP48	49.3	.3
AP49	50.3	.3
AP50	51.3	.3
AP51	52.3	.3
AP52	53.3	.3

Product No.	Datum Length	Weight
AP53	54.3	.3
AP54	55.3	.4
AP55	56.3	.4
AP56	57.3	.4
AP57	58.3	.4
AP58	59.3	.4
AP59	60.3	.4
AP60	61.3	.4
AP61	62.3	.4
AP62	63.3	.4
AP63	64.3	.4
AP64	65.3	.4
AP65	66.3	.4
AP66	67.3	.5
AP67	68.3	.5
AP68	69.3	.5
AP69	70.3	.5
AP70	71.3	.5
AP71	72.3	.5
AP72	73.3	.5
AP73	74.3	.5
AP74	75.3	.5
AP75	76.3	.5
AP76	77.3	.5
AP77	78.3	.5
AP78	79.3	.6
AP79	80.3	.6
AP80	81.3	.6
AP81	82.3	.6
AP82	83.3	.6

Product No.	Datum Length	Weight
AP83	84.3	.6
AP84	85.3	.6
AP85	86.3	.6
AP86	87.3	.6
AP87	88.3	.6
AP88	89.3	.6
AP89	90.3	.6
AP90	91.3	.6
AP91	92.3	.6
AP92	93.3	.6
AP93	94.3	.6
AP94	95.3	.7
AP95	96.3	.7
AP96	97.3	.7
AP97	98.3	.7
AP98	99.3	.7
AP100	101.3	.7
AP103	104.3	.7
AP105	106.3	.7
AP110	111.3	.7
AP112	113.3	.8
AP120	121.3	.8
AP128	129.3	.9
AP136	137.3	1.0
AP144	145.3	1.0
AP158	159.3	1.1
AP173	174.3	1.2
AP180	181.3	1.3

OUTSIDE LENGTH "AP" BELTS EQUALS DATUM LENGTH +1".  
 OUTSIDE LENGTH "BP" BELTS EQUALS DATUM LENGTH +1".

# Classical (Conventional) V-Belts

## Dimensions

### BP Belts

Product No.	Datum Length	Weight	Product No.	Datum Length	Weight	Product No.	Datum Length	Weight	Product No.	Datum Length	Weight
BP32	33.8	0.3	BP60	61.8	0.6	BP85	86.8	0.9	BP126	127.8	1.4
BP34	35.8	0.4	BP61	62.8	0.6	BP86	87.8	0.9	BP128	129.8	1.4
BP35	36.8	0.4	BP62	63.8	0.6	BP87	88.8	0.9	BP133	134.8	1.4
BP36	37.8	0.4	BP63	64.8	0.7	BP88	89.8	1	BP136	137.8	1.5
BP39	40.8	0.4	BP64	65.8	0.7	BP89	90.8	1	BP140	141.8	1.5
BP40	41.8	0.4	BP65	66.8	0.7	BP90	91.8	1	BP144	145.8	1.6
BP41	42.8	0.4	BP66	67.8	0.7	BP91	92.8	1	BP148	149.8	1.6
BP42	43.8	0.4	BP67	68.8	0.7	BP92	93.8	1	BP150	151.8	1.6
BP43	44.8	0.4	BP68	69.8	0.7	BP93	94.8	1	BP154	155.8	1.7
BP44	45.8	0.5	BP69	70.8	0.7	BP94	95.8	1	BP158	159.8	1.7
BP45	46.8	0.5	BP70	71.8	0.7	BP95	96.8	1	BP162	163.8	1.8
BP46	47.8	0.5	BP71	72.8	0.7	BP96	97.8	1	BP173	174.8	1.9
BP47	48.8	0.5	BP72	73.8	0.8	BP97	98.8	1.1	BP180	181.8	2
BP48	49.8	0.5	BP73	74.8	0.8	BP98	99.8	1.1	BP191	192.8	2.1
BP49	50.8	0.5	BP74	75.8	0.8	BP99	100.8	1.1	BP195	196.8	2.1
BP50	51.8	0.5	BP75	76.8	0.8	BP100	101.8	1.1	BP210	211.8	2.3
BP51	52.8	0.5	BP76	77.8	0.8	BP103	104.8	1.1	BP225	225.3	2.4
BP52	53.8	0.5	BP77	78.8	0.8	BP105	106.8	1.1	BP240	240.3	2.6
BP53	54.8	0.6	BP78	79.8	0.9	BP106	107.8	1.1	BP255	255.3	2.8
BP54	55.8	0.6	BP79	80.8	0.9	BP108	109.8	1.2	BP270	270.3	2.9
BP55	56.8	0.6	BP80	81.8	0.9	BP112	113.8	1.2	BP285	285.3	3.1
BP56	57.8	0.6	BP81	82.8	0.9	BP116	117.8	1.3	BP300	300.3	3.2
BP57	58.8	0.6	BP82	83.8	0.9	BP120	121.8	1.3	BP315	315.3	3.4
BP58	59.8	0.6	BP83	84.8	0.9	BP123	124.8	1.3	BP360	360.3	3.9
BP59	60.8	0.6	BP84	85.8	0.9	BP124	125.8	1.3			

### CP Belts

Product No.	Datum Length	Weight	Product No.	Datum Length	Weight
CP51	53.9	1.0	CP158	160.9	2.9
CP55	57.9	1.1	CP162	164.9	3.0
CP60	62.9	1.2	CP173	175.9	3.2
CP68	70.9	1.4	CP180	182.9	3.3
CP72	74.9	1.4	CP195	197.9	3.5
CP75	77.9	1.4	CP210	212.9	3.8
CP78	80.9	1.5	CP225	225.9	4.0
CP81	83.9	1.5	CP240	240.9	4.3
CP85	87.9	1.6	CP255	255.9	4.6
CP90	92.9	1.7	CP270	270.9	4.9
CP96	98.9	1.8	CP285	285.9	5.1
CP100	102.9	1.9	CP300	300.9	5.4
CP101	103.9	1.9	CP315	315.9	5.7
CP105	107.9	1.9	CP330	330.9	6.0
CP109	111.9	2.0	CP345	345.9	6.2
CP111	113.9	2.0	CP360	360.9	6.8
CP112	114.9	2.1	CP390	390.9	7.1
CP115	117.9	2.1	CP420	420.9	7.6
CP120	122.9	2.2			
CP124	126.9	2.3			
CP128	130.9	2.4			
CP136	138.9	2.5			
CP144	146.9	2.7			
CP148	150.9	2.7			
CP150	152.9	2.8			

### DP Belts

Product No.	Datum Length	Weight
DP105	108.3	4.3
DP120	123.3	4.4
DP128	131.3	4.7
DP144	147.3	5.3
DP158	161.3	5.8
DP162	165.3	6.0
DP173	176.3	6.3
DP180	183.3	6.5
DP195	198.3	7.1
DP210	213.3	7.6
DP225	225.8	8.1
DP240	240.8	8.6
DP255	255.8	9.2
DP270	270.8	9.7
DP285	285.8	10.2
DP300	300.8	10.7
DP315	315.8	11.3
DP330	330.8	11.8
DP345	345.8	12.4
DP360	360.8	12.9
DP390	390.8	14.0
DP420	420.8	15.0
DP450	450.8	16.2
DP480	480.8	16.7
DP540	540.8	17.8
DP600	600.8	22.2
DP660	660.8	24.4

### EP Belts

Product No.	Datum Length	Weight
EP144	148.5	8.1
EP180	184.5	10.1
EP195	199.5	10.9
EP210	214.5	11.7
EP225	229.5	12.4
EP240	241.5	13.2
EP270	271.0	14.8
EP300	301.0	16.4
EP330	331.0	18.1
EP360	361.0	19.7
EP390	391.0	21.4
EP420	421.0	23.0
EP480	481.0	26.3
EP540	541.0	29.6
EP600	601.0	32.8
EP660	661.0	36.1

OUTSIDE LENGTH "CP" BELTS EQUALS DATUM LENGTH +2".  
 OUTSIDE LENGTH "DP" BELTS EQUALS DATUM LENGTH +2".

# Classical (Conventional) Banded V-Belts

## Dimensions

### BP Banded Belts

Product No.	Datum Length	Weight Lbs.	Product No.	Datum Length	Weight Lbs.	Product No.	Datum Length	Weight Lbs.	Product No.	Datum Length	Weight Lbs.
2RBP35	36.8	1.0	2RBP62	63.8	1.7	2RBP83	84.8	2.3	2RBP136	137.8	3.7
3RBP35	36.8	1.5	3RBP62	63.8	2.6	3RBP83	84.8	3.4	3RBP136	137.8	5.5
2RBP38	39.8	1.1	4RBP62	63.8	3.4	4RBP83	84.8	4.5	4RBP136	137.8	7.4
3RBP38	39.8	1.6	5RBP62	63.8	4.3	5RBP83	84.8	5.7	5RBP136	137.8	9.2
2RBP40	41.8	1.1	2RBP63	64.8	1.7	2RBP85	86.8	2.3	2RBP144	145.8	3.9
3RBP40	41.8	1.7	3RBP63	64.8	2.6	3RBP85	86.8	3.5	3RBP144	145.8	5.9
2RBP41	42.8	1.1	4RBP63	64.8	3.5	4RBP85	86.8	4.6	4RBP144	145.8	7.8
3RBP41	42.8	1.7	5RBP63	64.8	4.3	5RBP85	86.8	5.8	5RBP144	145.8	9.8
2RBP42	43.8	1.2	2RBP64	65.8	1.8	2RBP87	88.8	2.4	2RBP148	149.8	4.0
3RBP42	43.8	1.9	3RBP64	65.8	2.6	3RBP87	88.8	3.6	3RBP148	149.8	6.0
2RBP43	44.8	1.2	4RBP64	65.8	3.5	4RBP87	88.8	4.7	4RBP148	149.8	8.0
3RBP43	44.8	1.8	5RBP64	65.8	4.4	5RBP87	88.8	5.9	5RBP148	149.8	10.0
2RBP44	45.8	1.2	2RBP65	66.8	1.8	2RBP88	89.8	2.4	2RBP158	159.8	4.3
3RBP44	45.8	1.8	3RBP65	66.8	2.7	3RBP88	89.8	3.6	3RBP158	159.8	6.4
2RBP46	47.8	1.3	4RBP65	66.8	3.6	4RBP88	89.8	4.8	4RBP158	159.8	8.6
3RBP46	47.8	1.9	5RBP65	66.8	4.5	5RBP88	89.8	6.0	5RBP158	159.8	10.7
4RBP46	47.8	2.5	2RBP66	67.8	1.8	2RBP90	91.8	2.5	2RBP162	163.8	4.4
5RBP46	47.8	3.2	3RBP66	67.8	2.7	3RBP90	91.8	3.7	3RBP162	163.8	6.6
2RBP48	49.8	1.3	4RBP66	67.8	3.6	4RBP90	91.8	4.9	4RBP162	163.8	8.8
3RBP48	49.8	2.0	5RBP66	67.8	4.5	5RBP90	91.8	6.1	5RBP162	163.8	11.0
4RBP48	49.8	2.7	2RBP67	68.8	1.8	2RBP93	94.8	2.5	2RBP173	174.8	4.7
5RBP48	49.8	3.3	3RBP67	68.8	2.8	3RBP93	94.8	3.8	3RBP173	174.8	7.0
2RBP49	50.8	1.4	4RBP67	68.8	3.7	4RBP93	94.8	5.1	4RBP173	174.8	9.4
3RBP49	50.8	2.0	5RBP67	68.8	4.6	5RBP93	94.8	6.3	5RBP173	174.8	11.7
4RBP49	50.8	2.7	2RBP68	69.8	1.9	2RBP95	96.8	2.6	2RBP180	181.8	4.9
5RBP49	50.8	3.4	3RBP68	69.8	2.8	3RBP95	96.8	3.9	3RBP180	181.8	7.3
2RBP50	51.8	1.4	4RBP68	69.8	3.7	4RBP95	96.8	5.2	4RBP180	181.8	9.7
3RBP50	51.8	2.1	5RBP68	69.8	4.7	5RBP95	96.8	6.5	5RBP180	181.8	12.2
4RBP50	51.8	2.8	2RBP70	71.8	1.9	2RBP96	97.8	2.6	2RBP195	196.8	5.3
5RBP50	51.8	3.5	3RBP70	71.8	2.9	3RBP96	97.8	3.9	3RBP195	196.8	7.9
2RBP51	52.8	1.4	4RBP70	71.8	3.8	4RBP96	97.8	5.2	4RBP195	196.8	10.5
3RBP51	52.8	2.1	5RBP70	71.8	4.8	5RBP96	97.8	6.5	5RBP195	196.8	13.2
4RBP51	52.8	2.8	2RBP71	72.8	1.9	2RBP97	98.8	2.6	2RBP210	211.8	5.7
5RBP51	52.8	3.5	3RBP71	72.8	2.9	3RBP97	98.8	4.0	3RBP210	211.8	8.5
2RBP52	53.8	1.4	4RBP71	72.8	3.9	4RBP97	98.8	5.3	4RBP210	211.8	11.3
3RBP52	53.8	2.2	5RBP71	72.8	4.9	5RBP97	98.8	6.6	5RBP210	211.8	14.2
4RBP52	53.8	2.9	2RBP72	73.8	2.0	2RBP99	100.8	2.7	2RBP225	225.3	6.0
5RBP52	53.8	3.6	3RBP72	73.8	3.0	3RBP99	100.8	4.0	3RBP225	225.3	9.0
2RBP53	54.8	1.5	4RBP72	73.8	3.9	4RBP99	100.8	5.4	4RBP225	225.3	12.1
3RBP53	54.8	2.2	5RBP72	73.8	4.9	5RBP99	100.8	6.7	5RBP225	225.3	15.1
4RBP53	54.8	2.9	2RBP73	74.8	2.0	2RBP100	101.8	2.7	2RBP240	240.3	6.4
5RBP53	54.8	3.7	3RBP73	74.8	3.0	3RBP100	101.8	4.1	3RBP240	240.3	9.7
2RBP54	55.8	1.5	4RBP73	74.8	4.0	4RBP100	101.8	5.4	4RBP240	240.3	12.9
3RBP54	55.8	2.2	5RBP73	74.8	5.0	5RBP100	101.8	6.8	5RBP240	240.3	16.1
4RBP54	55.8	3.0	2RBP74	75.8	2.0	2RBP103	104.8	2.8	2RBP255	255.3	6.8
5RBP54	55.8	3.7	3RBP74	75.8	3.0	3RBP103	104.8	4.2	3RBP255	255.3	10.3
2RBP55	56.8	1.5	4RBP74	75.8	4.1	4RBP103	104.8	5.6	4RBP255	255.3	13.7
3RBP55	56.8	2.3	5RBP74	75.8	5.1	5RBP103	104.8	7.0	5RBP255	255.3	17.1
4RBP55	56.8	3.0	2RBP75	76.8	2.1	2RBP105	106.8	2.9	2RBP270	270.3	7.2
5RBP55	56.8	3.8	3RBP75	76.8	3.1	3RBP105	106.8	4.3	3RBP270	270.3	10.9
2RBP56	57.8	1.5	4RBP75	76.8	4.1	4RBP105	106.8	5.7	4RBP270	270.3	14.5
3RBP56	57.8	2.3	5RBP75	76.8	5.1	5RBP105	106.8	7.1	5RBP270	270.3	18.1
4RBP56	57.8	3.1	2RBP77	78.8	2.1	2RBP108	109.8	2.9	2RBP285	285.3	7.6
5RBP56	57.8	3.9	3RBP77	78.8	3.2	3RBP108	109.8	4.4	3RBP285	285.3	11.5
2RBP57	58.8	1.6	4RBP77	78.8	4.2	4RBP108	109.8	5.9	4RBP285	285.3	15.3
3RBP57	58.8	2.4	5RBP77	78.8	5.3	5RBP108	109.8	7.3	5RBP285	285.3	19.1
4RBP57	58.8	3.1	2RBP78	79.8	2.1	2RBP112	113.8	3.0	2RBP300	300.3	8.0
5RBP57	58.8	3.9	3RBP78	79.8	3.2	3RBP112	113.8	4.6	3RBP300	300.3	12.1
2RBP58	59.8	1.6	4RBP78	79.8	4.3	4RBP112	113.8	6.1	4RBP300	300.3	16.1
3RBP58	59.8	2.4	5RBP78	79.8	5.3	5RBP112	113.8	7.6	5RBP300	300.3	20.1
4RBP58	59.8	3.2	2RBP79	80.8	2.2	2RBP120	121.8	3.3	2RBP315	315.3	8.4
5RBP58	59.8	4.0	3RBP79	80.8	3.2	3RBP120	121.8	4.9	3RBP315	315.3	12.7
2RBP59	60.8	1.6	4RBP79	80.8	4.3	4RBP120	121.8	6.5	4RBP315	315.3	16.9
3RBP59	60.8	2.4	5RBP79	80.8	5.4	5RBP120	121.8	8.2	5RBP315	315.3	21.1
4RBP59	60.8	3.2	2RBP80	81.8	2.2	2RBP124	125.8	3.4			
5RBP59	60.8	4.1	3RBP80	81.8	3.3	3RBP124	125.8	5.1			
2RBP60	61.8	1.7	4RBP80	81.8	4.4	4RBP124	125.8	6.7			
3RBP60	61.8	2.5	5RBP80	81.8	5.5	5RBP124	125.8	8.4			
4RBP60	61.8	3.3	2RBP81	82.8	2.2	2RBP128	129.8	3.5			
5RBP60	61.8	4.1	3RBP81	82.8	3.3	3RBP128	129.8	5.2			
2RBP61	62.8	1.7	4RBP81	82.8	4.4	4RBP128	129.8	6.9			
3RBP61	62.8	2.5	5RBP81	82.8	5.5	5RBP128	129.8	8.7			
4RBP61	62.8	3.4	2RBP82	83.8	2.2	2RBP133	134.8	3.6			
5RBP61	62.8	4.2	3RBP82	83.8	3.4	3RBP133	134.8	5.4			
			4RBP82	83.8	4.5	4RBP133	134.8	7.2			
			5RBP82	83.8	5.6	5RBP133	134.8	9.0			

# Classical (Conventional) Banded V-Belts

## Dimensions

### CP Banded Belts

Product No.	Datum Length	Weight Lbs.	Product No.	Datum Length	Weight Lbs.	Product No.	Datum Length	Weight Lbs.	Product No.	Datum Length	Weight Lbs.
2RCP51	53.9	2.4	2RCP99	101.9	4.5	2RCP144	146.9	6.5	2RCP270	270.9	12.0
3RCP51	53.9	3.6	3RCP99	101.9	6.8	3RCP144	146.9	9.8	3RCP270	270.9	18.0
2RCP55	57.9	2.6	4RCP99	101.9	9.0	4RCP144	146.9	13.0	4RCP270	270.9	24.0
3RCP55	57.9	3.8	5RCP99	101.9	11.3	5RCP144	146.9	16.3	5RCP270	270.9	30.0
2RCP60	62.9	2.8	2RCP100	102.9	4.6	2RCP158	160.9	7.1	2RCP285	285.9	12.7
3RCP60	62.9	4.2	3RCP100	102.9	6.8	3RCP158	160.9	10.7	3RCP285	285.9	19.0
2RCP68	70.9	3.1	4RCP100	102.9	9.1	4RCP158	160.9	14.3	4RCP285	285.9	25.4
3RCP68	70.9	4.7	5RCP100	102.9	11.4	5RCP158	160.9	17.8	5RCP285	285.9	31.7
4RCP68	70.9	6.3	2RCP105	107.9	4.8	2RCP162	164.9	7.3	2RCP300	300.9	13.3
5RCP68	70.9	7.8	3RCP105	107.9	7.2	3RCP162	164.9	11.0	3RCP300	300.9	20.0
2RCP71	73.9	3.3	4RCP105	107.9	9.5	4RCP162	164.9	14.6	4RCP300	300.9	26.7
3RCP71	73.9	4.9	5RCP105	107.9	11.9	5RCP162	164.9	18.3	5RCP300	300.9	33.4
4RCP71	73.9	6.5	2RCP108	110.9	4.9	2RCP173	175.9	7.8	2RCP315	315.9	14.0
5RCP71	73.9	8.2	3RCP108	110.9	7.4	3RCP173	175.9	11.7	3RCP315	315.9	21.0
2RCP75	77.9	3.4	4RCP108	110.9	9.8	4RCP173	175.9	15.6	4RCP315	315.9	28.0
3RCP75	77.9	5.2	5RCP108	110.9	12.3	5RCP173	175.9	19.5	5RCP315	315.9	35.0
4RCP75	77.9	6.9	2RCP109	111.9	5.0	2RCP180	182.9	8.1	2RCP330	330.9	14.7
5RCP75	77.9	8.6	3RCP109	111.9	7.4	3RCP180	182.9	12.2	3RCP330	330.9	22.0
2RCP81	83.9	3.7	4RCP109	111.9	9.9	4RCP180	182.9	16.2	4RCP330	330.9	29.4
3RCP81	83.9	5.6	5RCP109	111.9	12.4	5RCP180	182.9	20.3	5RCP330	330.9	36.7
4RCP81	83.9	7.4	2RCP112	114.9	5.1	2RCP195	197.9	8.8	2RCP345	345.9	15.3
5RCP81	83.9	9.3	3RCP112	114.9	7.6	3RCP195	197.9	13.2	3RCP345	345.9	23.0
2RCP85	87.9	3.9	4RCP112	114.9	10.2	4RCP195	197.9	17.5	4RCP345	345.9	30.7
3RCP85	87.9	5.8	5RCP112	114.9	12.7	5RCP195	197.9	21.9	5RCP345	345.9	38.4
4RCP85	87.9	7.8	2RCP120	122.9	5.4	2RCP210	212.9	9.4	2RCP360	360.9	16.0
5RCP85	87.9	9.7	3RCP120	122.9	8.2	3RCP210	212.9	14.2	3RCP360	360.9	24.0
2RCP90	92.9	4.1	4RCP120	122.9	10.9	4RCP210	212.9	18.9	4RCP360	360.9	32.0
3RCP90	92.9	6.2	5RCP120	122.9	13.6	5RCP210	212.9	23.6	5RCP360	360.9	40.0
4RCP90	92.9	8.2	2RCP124	126.9	5.6	2RCP225	225.9	10.0	2RCP390	390.9	17.3
5RCP90	92.9	10.3	3RCP124	126.9	8.4	3RCP225	225.9	15.0	3RCP390	390.9	26.0
2RCP96	98.9	4.4	4RCP124	126.9	11.2	4RCP225	225.9	20.0	4RCP390	390.9	34.7
3RCP96	98.9	6.6	5RCP124	126.9	14.0	5RCP225	225.9	25.0	5RCP390	390.9	43.4
4RCP96	98.9	8.7	2RCP128	130.9	5.8	2RCP240	240.9	10.7	2RCP420	420.9	18.7
5RCP96	98.9	10.9	3RCP128	130.9	8.7	3RCP240	240.9	16.0	3RCP420	420.9	28.0
2RCP97	99.9	4.4	4RCP128	130.9	11.6	4RCP240	240.9	21.4	4RCP420	420.9	37.4
3RCP97	99.9	6.6	5RCP128	130.9	14.5	5RCP240	240.9	26.7	5RCP420	420.9	46.7
4RCP97	99.9	8.8	2RCP136	138.9	6.1	2RCP255	255.9	11.3			
5RCP97	99.9	11.0	3RCP136	138.9	9.2	3RCP255	255.9	17.0			
			4RCP136	138.9	12.3	4RCP255	255.9	22.7			
			5RCP136	138.9	15.4	5RCP255	255.9	28.4			

### DP Banded Belts

Product No.	Datum Length	Weight Lbs.	Product No.	Datum Length	Weight Lbs.	Product No.	Datum Length	Weight Lbs.	Product No.	Datum Length	Weight Lbs.
3RDP120	123.3	15.2	3RDP195	198.3	24.4	3RDP300	300.8	37.1	3RDP450	450.8	55.6
4RDP120	123.3	20.2	4RDP195	198.3	32.6	4RDP300	300.8	49.5	4RDP450	450.8	74.2
5RDP120	123.3	25.3	5RDP195	198.3	40.7	5RDP300	300.8	61.8	5RDP450	450.8	92.7
3RDP128	131.3	16.2	3RDP210	213.3	26.3	3RDP315	315.8	39.0	3RDP480	480.8	59.3
4RDP128	131.3	21.5	4RDP210	213.3	35.1	4RDP315	315.8	51.9	4RDP480	480.8	79.1
5RDP128	131.3	26.9	5RDP210	213.3	43.8	5RDP315	315.8	64.9	5RDP480	480.8	98.9
3RDP144	147.3	18.1	3RDP225	225.8	27.8	3RDP330	330.8	40.8	3RDP540	540.8	66.7
4RDP144	147.3	24.2	4RDP225	225.8	37.1	4RDP330	330.8	54.4	4RDP540	540.8	89.0
5RDP144	147.3	30.2	5RDP225	225.8	46.4	5RDP330	330.8	68.0	5RDP540	540.8	111.7
3RDP158	161.3	19.9	3RDP240	240.8	29.7	3RDP345	345.8	42.7	3RDP600	600.8	74.2
4RDP158	161.3	26.5	4RDP240	240.8	39.6	4RDP345	345.8	56.9	4RDP600	600.8	98.9
5RDP158	161.3	33.1	5RDP240	240.8	49.5	5RDP345	345.8	71.1	5RDP600	600.8	123.6
3RDP162	165.3	20.4	3RDP255	255.8	31.5	3RDP360	360.8	44.5	3RDP660	660.8	81.6
4RDP162	165.3	27.1	4RDP255	255.8	42.1	4RDP360	360.8	59.3	4RDP660	660.8	108.8
5RDP162	165.3	33.9	5RDP255	255.8	52.6	5RDP360	360.8	74.2	5RDP660	660.8	135.9
3RDP173	176.3	21.7	3RDP270	270.8	33.4	3RDP390	390.8	48.2			
4RDP173	176.3	29.0	4RDP270	270.8	44.5	4RDP390	390.8	64.3			
5RDP173	176.3	36.2	5RDP270	270.8	55.7	5RDP390	390.8	80.4			
3RDP180	183.3	22.6	3RDP285	285.8	35.2	3RDP420	420.8	51.9			
4RDP180	183.3	30.1	4RDP285	285.8	47.0	4RDP420	420.8	69.2			
5RDP180	183.3	37.6	5RDP285	285.8	58.7	5RDP420	420.8	86.5			

# Classical Cog V-Belts

## Dimensions

### AX Belts

### BX Belts

Product No.	Datum Length	Weight Lbs.
AX21	22.3	.16
AX22	23.3	.16
AX23	24.3	.16
AX24	25.3	.18
*AX26	27.3	.18
AX27	28.3	.18
AX28	29.3	.18
AX29	30.3	.20
AX30	31.3	.20
*AX31	32.3	.20
AX32	33.3	.20
*AX33	34.3	.22
*AX34	35.3	.22
*AX35	36.3	.22
*AX36	37.3	.24
*AX37	38.3	.24
*AX38	39.3	.24
*AX39	40.3	.26
AX40	41.3	.26
AX41	42.3	.26
*AX42	43.3	.28
*AX43	44.3	.28
AX44	45.3	.28
AX45	46.3	.30
*AX46	47.3	.30
AX47	48.3	.30
*AX48	49.3	.30
AX49	50.3	.32
AX50	51.3	.32
*AX51	52.3	.32
AX52	53.3	.34
*AX53	54.3	.34
*AX54	55.3	.34
*AX55	56.3	.36
*AX56	57.3	.36
AX57	58.3	.36
AX58	59.3	.38
AX59	60.3	.38
*AX60	61.3	.38
AX61	62.3	.40
*AX62	63.3	.40
AX63	64.3	.40
*AX64	65.3	.40
AX65	66.3	.42
*AX66	67.3	.44

Product No.	Datum Length	Weight Lbs.
AX67	68.3	.45
*AX68	69.3	.45
AX69	70.3	.46
*AX70	71.3	.46
*AX71	72.3	.50
AX72	73.3	.50
AX73	74.3	.50
AX74	75.3	.50
*AX75	76.3	.50
AX76	77.3	.51
AX77	78.3	.52
*AX78	79.3	.52
AX79	80.3	.53
*AX80	81.3	.53
AX81	82.3	.53
AX82	83.3	.54
AX83	84.3	.55
AX84	85.3	.55
*AX85	86.3	.56
AX86	87.3	.57
AX87	88.3	.58
AX88	89.3	.58
AX89	90.3	.58
*AX90	91.3	.59
AX91	92.3	.59
AX92	93.3	.60
AX93	94.3	.61
AX94	95.3	.62
AX95	96.3	.63
*AX96	97.3	.63
AX97	98.3	.64
AX98	99.3	.65
AX100	101.3	.65
AX103	104.3	.68
*AX105	106.3	.69
*AX110	111.3	.73
*AX112	113.3	.74
*AX120	121.3	.79
*AX128	129.3	.83
*AX136	137.3	.90
AX144	145.3	.95
AX158	159.3	1.04
AX173	174.3	1.14
AX180	181.3	1.19

Product No.	Datum Length	Weight Lbs.
BX28	29.8	.28
BX32	33.8	.30
BX34	35.8	.32
*BX35	36.8	.34
BX36	37.8	.36
*BX38	39.8	.36
BX40	41.8	.38
BX41	42.8	.40
*BX42	43.8	.40
BX43	44.8	.42
BX44	45.8	.42
BX45	46.8	.44
*BX46	47.8	.44
BX47	48.8	.46
*BX48	49.8	.46
BX49	50.8	.48
*BX50	51.8	.48
*BX51	52.8	.48
*BX52	53.8	.50
*BX53	54.8	.50
*BX54	55.8	.52
*BX55	56.8	.52
*BX56	57.8	.54
BX57	58.8	.56
BX58	59.8	.56
*BX59	60.8	.56
*BX60	61.8	.56
*BX61	62.8	.58
*BX62	63.8	.58
*BX63	64.8	.59
*BX64	65.8	.60
*BX65	66.8	.61
*BX66	67.8	.62
*BX67	68.8	.63
*BX68	69.8	.64
BX69	70.8	.66
*BX70	71.8	.67
*BX71	72.8	.68
BX72	73.8	.68
BX73	74.8	.69
BX74	75.8	.70
*BX75	76.8	.70
BX76	77.8	.71
*BX77	78.8	.72
*BX78	79.8	.73

\* Belt sizes utilized in computer selection program.  
 Outside Length "AX" Belts equals Datum Length + 1".  
 Outside Length "BX" Belts equals Datum Length + 1".



# Classical Cog V-Belts

## Dimensions

### BX Belts, cont.

Product No.	Datum Length	Weight Lbs.
*BX79	80.8	.74
*BX80	81.8	.75
*BX81	82.8	.76
*BX82	83.8	.77
*BX83	84.8	.78
*BX84	85.8	.79
*BX85	86.8	.80
BX86	87.8	.82
BX87	88.8	.83
BX88	89.8	.85
BX89	90.8	.86
*BX90	91.8	.87
BX91	92.8	.87
BX92	93.8	.87
*BX93	94.8	.87
BX94	95.8	.88
*BX95	96.8	.89
*BX96	97.8	.90
*BX97	98.8	.91
BX98	99.8	.92
*BX99	100.8	.93
*BX100	101.8	.94
*BX103	104.8	.97
*BX105	106.8	.98
BX106	107.8	.99
BX108	109.8	1.01
*BX112	113.8	1.05
*BX113	114.8	1.06
BX115	116.8	1.08
*BX116	117.8	1.10
*BX120	121.8	1.12
BX123	124.8	1.14
*BX124	125.8	1.16
BX126	127.8	1.18
*BX128	129.8	1.20
*BX133	134.8	1.24
*BX136	137.8	1.27
BX140	141.8	1.30
*BX144	145.8	1.35
BX148	149.8	1.37
*BX150	151.8	1.40
BX154	155.8	1.44
*BX158	159.8	1.48
*BX162	163.8	1.51
*BX173	174.8	1.62
*BX180	181.8	1.68
BX191	192.8	1.90
*BX195	196.8	2.00
*BX210	211.8	2.10
BX225	225.3	2.30
*BX240	240.3	2.40
BX255	255.3	2.50
*BX270	270.3	2.70
BX300	300.3	3.00

### CX Belts

Product No.	Datum Length	Weight Lbs.
*CX51	53.9	.91
CX55	57.9	.99
*CX60	62.9	1.07
*CX68	70.9	1.20
CX72	74.9	1.24
*CX75	77.9	1.29
CX78	80.9	1.35
*CX81	83.9	1.39
*CX85	87.9	1.46
*CX90	92.9	1.55
*CX96	98.9	1.65
CX100	102.9	1.69
CX101	103.9	1.72
*CX105	107.9	1.80
*CX109	111.9	1.87
CX111	113.9	1.90
*CX112	114.9	1.92
*CX115	117.9	1.97
*CX120	122.9	2.05
*CX128	130.9	2.19
*CX136	138.9	2.32
*CX144	146.9	2.46
CX148	150.9	2.54
*CX150	152.9	2.62
*CX158	160.9	2.69
*CX162	164.9	2.80
*CX173	175.9	3.00
*CX180	182.9	3.10
*CX195	197.9	3.20
*CX210	212.9	3.40
CX225	225.9	3.60
*CX240	240.9	3.90
CX255	255.9	4.10
*CX270	270.9	4.40
CX300	300.9	4.90
CX330	330.9	5.30
CX360	360.9	5.80

### DX Belts

Product No.	Datum Length	Weight Lbs.
*DX120	123.3	4.60
*DX128	131.3	4.90
*DX144	147.3	5.40
*DX158	161.3	6.00
*DX162	165.3	6.20
*DX173	176.3	6.60
*DX180	183.3	6.80
*DX195	198.3	7.40
*DX210	213.3	8.00
*DX225	225.3	8.60
*DX240	240.8	9.10
*DX255	255.8	9.70
*DX270	270.8	10.30
*DX300	300.8	11.40
*DX330	330.8	12.50
*DX360	360.8	12.70

\* Belt sizes utilized in computer selection program.  
 Outside Length "BX" Belts equals Datum Length + 1".  
 Outside Length "CX" Belts equals Datum Length + 2".  
 Outside Length "DX" Belts equals Datum Length + 2".



# Classical Cog Banded V-Belts

## Dimensions

### "RBX" Banded Belts

Product No.	Datum Length	Weight Lbs.	Product No.	Datum Length	Weight Lbs.	Product No.	Datum Length	Weight Lbs.	Product No.	Datum Length	Weight Lbs.
2RBX55	56.8	1.3	2RBX75	76.8	1.8	2RBX105	105.8	2.5	2RBX173	174.8	4.1
3RBX55	56.8	2.0	3RBX75	76.8	2.6	3RBX105	105.8	3.7	3RBX173	174.8	6.1
4RBX55	56.8	2.6	4RBX75	76.8	3.5	4RBX105	105.8	4.9	4RBX173	174.8	8.2
5RBX55	56.8	3.3	5RBX75	76.8	4.5	5RBX105	105.8	6.3	5RBX173	174.8	10.3
2RBX60	61.8	1.4	2RBX78	79.8	1.8	2RBX112	113.8	2.6	2RBX180	181.8	4.2
3RBX60	61.8	2.1	3RBX78	79.8	2.8	3RBX112	113.8	4.0	3RBX180	181.8	6.3
4RBX60	61.8	2.8	4RBX78	79.8	3.7	4RBX112	113.8	5.3	4RBX180	181.8	8.5
5RBX60	61.8	3.5	5RBX78	79.8	4.8	5RBX112	113.8	6.8	5RBX180	181.8	10.5
2RBX62	63.8	1.5	2RBX81	82.8	1.9	2RBX120	121.8	2.8	2RBX195	196.8	4.9
3RBX62	63.8	2.2	3RBX81	82.8	2.9	3RBX120	121.8	4.2	3RBX195	196.8	7.4
4RBX62	63.8	2.9	4RBX81	82.8	3.8	4RBX120	121.8	5.6	4RBX195	196.8	9.8
5RBX62	63.8	3.8	5RBX81	82.8	4.8	5RBX120	121.8	7.0	5RBX195	196.8	12.3
2RBX64	65.8	1.5	2RBX83	84.8	2.0	2RBX128	129.8	3.0	2RBX210	211.8	5.3
3RBX64	65.8	2.3	3RBX83	84.8	2.9	3RBX128	129.8	4.5	3RBX210	211.8	7.9
4RBX64	65.8	3.0	4RBX83	84.8	3.9	4RBX128	129.8	6.0	4RBX210	211.8	10.6
5RBX64	65.8	3.8	5RBX83	84.8	5.0	5RBX128	129.8	7.7	5RBX210	211.8	13.3
2RBX66	67.8	1.6	2RBX85	86.8	2.0	2RBX136	137.8	3.2	2RBX240	240.3	6.0
3RBX66	67.8	2.3	3RBX85	86.8	3.0	3RBX136	137.8	4.8	3RBX240	240.3	9.0
4RBX66	67.8	3.1	4RBX85	86.8	4.0	4RBX136	137.8	6.4	4RBX240	240.3	12.0
5RBX66	67.8	4.0	5RBX85	86.8	5.0	5RBX136	137.8	8.2	5RBX240	240.3	15.0
2RBX68	69.8	1.6	2RBX90	91.8	2.1	2RBX144	145.8	3.4			
3RBX68	69.8	2.4	3RBX90	91.8	3.2	3RBX144	145.8	5.1			
4RBX68	69.8	3.2	4RBX90	91.8	4.2	4RBX144	145.8	6.8			
5RBX68	69.8	4.0	5RBX90	91.8	5.3	5RBX144	145.8	8.5			
2RBX71	72.8	1.7	2RBX97	98.8	2.3	2RBX158	159.8	3.7			
3RBX71	72.8	2.5	3RBX97	98.8	3.4	3RBX158	159.8	5.6			
4RBX71	72.8	3.4	4RBX97	98.8	4.6	4RBX158	159.8	7.5			
5RBX71	72.8	4.3	5RBX97	98.8	5.8	5RBX158	159.8	9.3			

# Classical Cog Banded V-Belts

## Dimensions

### "RCX" Banded Belts

Product No.	Datum Length	Weight Lbs.
2RCX68	70.9	3.0
3RCX68	70.9	4.5
4RCX68	70.9	6.0
5RCX68	70.9	7.5
2RCX75	77.9	3.2
3RCX75	77.9	4.9
4RCX75	77.9	6.5
5RCX75	77.9	8.0
2RCX81	83.9	3.5
3RCX81	83.9	5.2
4RCX81	83.9	7.0
5RCX81	83.9	8.8
2RCX85	87.9	3.7
3RCX85	87.9	5.5
4RCX85	87.9	7.4
5RCX85	87.9	8.3
2RCX90	92.9	3.9
3RCX90	92.9	5.8
4RCX90	92.9	7.8
5RCX90	92.9	9.5
2RCX96	98.6	4.1
3RCX96	98.6	6.2
4RCX96	98.6	8.3
5RCX96	98.6	10.3
2RCX105	107.9	4.5
3RCX105	107.9	6.8
4RCX105	107.9	9.1
5RCX105	107.9	11.3

Product No.	Datum Length	Weight Lbs.
2RCX112	114.9	4.8
3RCX112	114.9	7.2
4RCX112	114.9	9.7
5RCX112	114.9	12.0
2RCX120	122.9	5.1
3RCX120	122.9	7.7
4RCX120	122.9	10.3
5RCX120	122.9	12.8
2RCX128	130.9	5.5
3RCX128	130.9	8.3
4RCX128	130.9	11.0
5RCX128	130.9	13.8
2RCX136	138.9	5.8
3RCX136	138.9	8.7
4RCX136	138.9	11.7
5RCX136	138.9	14.5
2RCX144	146.9	6.2
3RCX144	146.9	9.7
4RCX144	146.9	12.4
5RCX144	146.9	15.5
2RCX158	160.9	6.7
3RCX158	160.9	10.1
4RCX158	160.9	13.6
5RCX158	160.9	16.8
2RCX162	164.9	6.9
3RCX162	164.9	10.4
4RCX162	164.9	13.9
5RCX162	164.9	17.3

Product No.	Datum Length	Weight Lbs.
2RCX173	175.9	7.4
3RCX173	175.9	11.1
4RCX173	175.9	14.9
5RCX173	175.9	18.5
2RCX180	182.9	7.7
3RCX180	182.9	11.5
4RCX180	182.9	15.4
5RCX180	182.9	19.3
2RCX195	197.9	7.9
3RCX195	197.9	11.9
4RCX195	197.9	15.9
5RCX195	197.9	19.8
2RCX210	212.9	8.5
3RCX210	212.9	12.8
4RCX210	212.9	17.1
5RCX210	212.9	21.3
2RCX225	225.9	9.1
3RCX225	225.9	13.7
4RCX225	225.9	18.2
5RCX225	225.9	22.8

# Double-V (Hex) V-Belts

## Dimensions

Double-V or Hex belts, as they are frequently called, are used on drives having one or more reverse bends and usually where power must be transmitted to or from the belt in both the usual and also the reverse bend positions. Sometimes these drives are referred to as "Serpentine" because of the snakelike path the belt must travel.

### AA Belts

Product No.	Standard Effective Length	Approx. Weight
AA51	53.1	.40
AA55	57.1	.50
AA60	62.1	.50
AA62	64.1	.50
AA64	66.1	.60
AA66	68.1	.61
AA68	70.1	.60
AA70	72.1	.60
AA75	77.1	.60
AA78	80.1	.70
AA80	82.1	.70
AA85	87.1	.70
AA90	92.1	.80
AA92	94.1	.80
AA96	98.1	.80
AA105	107.1	.90
AA112	114.1	1.00
AA120	122.1	1.00
AA128	130.1	1.10

### CC Belts

Product No.	Standard Effective Length	Approx. Weight
CC75	79.2	1.90
CC81	85.2	2.00
CC85	89.2	2.10
CC90	94.2	2.20
CC96	100.2	2.40
CC105	109.2	2.60
CC112	116.2	2.80
CC119	123.2	2.90
CC120	124.2	3.00
CC128	132.2	3.20
CC136	140.2	3.40
CC144	148.2	3.60
CC148	152.2	3.70
CC158	162.2	3.80
CC162	166.2	3.90
CC173	177.2	4.20
CC180	184.2	4.40
CC195	199.2	4.70
CC210	214.2	5.10
CC225	227.2	5.60
CC240	242.2	5.80
CC255	257.2	6.20
CC270	272.2	6.50
CC300	302.2	7.20
CC330	332.2	9.20
CC360	362.2	8.70
CC390	392.2	9.50
CC420	422.2	10.80

### BB Belts

Product No.	Standard Effective Length	Approx. Weight
BB42	43.9	.60
BB43	44.9	.60
BB45	47.9	.60
BB51	53.9	.80
BB53	55.9	.80
BB54	56.9	.80
BB55	57.9	.80
BB60	62.9	.80
BB64	66.9	.90
BB68	70.9	.90
BB71	73.9	.90
BB72	74.9	1.00
BB73	75.9	1.00
BB74	76.9	1.00
BB75	77.9	1.00
BB76	78.9	1.00
BB77	79.9	1.10
BB81	83.9	1.10
BB83	85.9	1.10
BB85	87.9	1.20
BB89	91.9	1.20
BB90	92.9	1.20
BB92	94.9	1.20
BB93	95.9	1.30
BB94	96.9	1.30
BB96	98.9	1.30
BB97	99.9	1.30
BB103	105.9	1.40
BB105	107.9	1.40
BB107	109.9	1.50
BB108	110.9	1.50
BB111	113.9	1.50
BB112	114.9	1.50
BB116	118.9	1.60
BB117	119.9	1.60
BB118	120.9	1.60
BB120	122.9	1.60
BB122	124.9	1.70
BB123	125.9	1.70
BB124	126.9	1.70
BB128	130.9	1.80
BB129	131.9	1.80
BB130	132.9	1.80
BB136	138.9	1.90
BB140	142.9	2.00
BB144	146.9	2.00
BB155	157.9	2.10
BB157	159.9	2.10
BB158	160.9	2.10
BB160	162.9	2.20
BB162	164.9	2.20
BB168	170.9	2.30
BB169	171.9	2.30
BB170	172.9	2.30
BB173	175.9	2.30

Product No.	Standard Effective Length	Approx. Weight
BB180	182.9	2.40
BB182	184.9	2.40
BB190	192.9	2.60
BB195	197.9	2.60
BB210	212.9	2.80
BB225	227.9	3.00
BB226	228.9	3.00
BB228	230.9	3.00
BB230	232.9	3.10
BB240	241.4	3.20
BB255	256.4	3.20
BB267	268.4	3.20
BB270	271.4	3.60
BB273	274.4	3.60
BB277	278.4	3.60
BB278	279.4	3.70
BB285	286.4	3.90
BB300	301.4	4.00
BB330	331.4	5.60
BB360	361.4	4.50

### CCP Dry Can Belts

Product No.	Standard Effective Length	Approx. Weight
CCP240	242.2	8.23
CCP255	257.2	8.72
CCP270	272.2	9.22
CCP300	302.2	10.22
CCP330	332.2	11.16
CCP360	362.2	12.15
CCP390	392.2	13.14
CCP408	410.2	13.74
CCP420	422.2	14.14
CCP440	442.2	14.80
CCP450	452.2	15.13
CCP470	472.2	15.79
CCP480	482.2	16.12
CCP540	542.2	18.11
CCP550	552.2	18.44
CCP578	580.2	19.37
CCP600	602.2	20.10
CCP640	642.2	21.42
CCP660	662.2	22.08
CCP670	672.2	22.42
CCP680	682.2	22.75
CCP700	702.2	23.41
CCP720	722.2	24.07
CCP750	752.2	25.06
CCP780	782.2	26.06
CCP800	802.2	26.72
CCP840	842.2	28.04
CCP900	902.2	30.03

For other sizes, contact factory for availability.

### 1. Determine DESIGN HORSEPOWER

DESIGN HORSEPOWER = DriveR HP x Service Factor (See below)

### SERVICE FACTORS

DRIVEN MACHINE See Note 1	DRIVER					
	AC Normal Torque Electric Motor (NEMA Design A-B) See Note 2			AC High Torque Electric Motor NEMA Design C-D) See Note 3		
	Intermittent Service See Note 4	Normal Service See Note 5	Continuous Service See Note 6	Intermittent Service See Note 4	Normal Service See Note 5	Continuous Service See Note 6
Agitators for Liquids . . . . .						
Blowers and Exhausters . . . . .						
Centrifugal Pumps and Compressors . . . . .	1.0	1.1	1.2	1.1	1.2	1.3
Conveyors (Light Duty) . . . . .						
Fans (up to 10 H.P.) . . . . .						
Belt Conveyors for Sand, Grain, etc. . . . .						
Fans (over 10 H.P.) . . . . .						
Generators . . . . .						
Laundry Machinery . . . . .						
Line Shafts . . . . .						
Machine Tools . . . . .	1.1	1.2	1.3	1.2	1.3	1.4
Mixers (Dough) . . . . .						
Positive Displacement Rotary Pumps . . . . .						
Printing Machinery . . . . .						
Punches-Presses-Shears See Note 1 . . . . .						
Revolving and Vibrating Screens . . . . .						
Blowers (Positive Displacement) . . . . .						
Brick Machinery . . . . .						
Compressors (Piston) See Note 1 . . . . .						
Conveyors (Drag-Pan-Screw) . . . . .						
Elevators (Bucket) . . . . .						
Exciters . . . . .						
Hammer Mills . . . . .	1.2	1.3	1.4	1.4	1.5	1.6
Paper Mill Beaters . . . . .						
Pulverizers . . . . .						
Pumps (Piston) . . . . .						
Saw Mill and Woodworking Machinery . . . . .						
Textile Machinery . . . . .						
Crushers (Gyratory-Jaw-Roll) See Note 1 . . . . .						
Mills (Ball-Rod-Tube) See Note 1 . . . . .	1.3	1.4	1.5	1.5	1.6	1.8
Hoists See Note 1 . . . . .						
Rubber Calenders-Extruders-Mills See Note 1 . . . . .						

**Note 1** The Driven Machines listed above are representative samples only. When one of the sheaves of the drive is used as a flywheel to reduce speed fluctuations and equalize the energy exerted at the shaft or for applications involving impact or jam loads, specially constructed sheaves may be required. Consult the manufacturer.

**Note 2** Included under this heading are the following electric motors: Synchronous and Squirrel Cage AC Normal Torque, AC Split Phase, DC Shunt Wound and Internal Combustion Engines.

**Note 3** Included under this heading are the following electric motors: AC High Torque, AC Hi-Slip, AC Repulsion, Induction, AC Single Phase Series Wound, AC Slip Ring and DC Compound Wound.

**Note 4** Intermittent Service refers to 3–5 hours of daily or seasonal operation.

**Note 5** Normal Service indicates 8–10 hours of daily operation.

**Note 6** Continuous Service refers to 16–24 hours of daily operation.

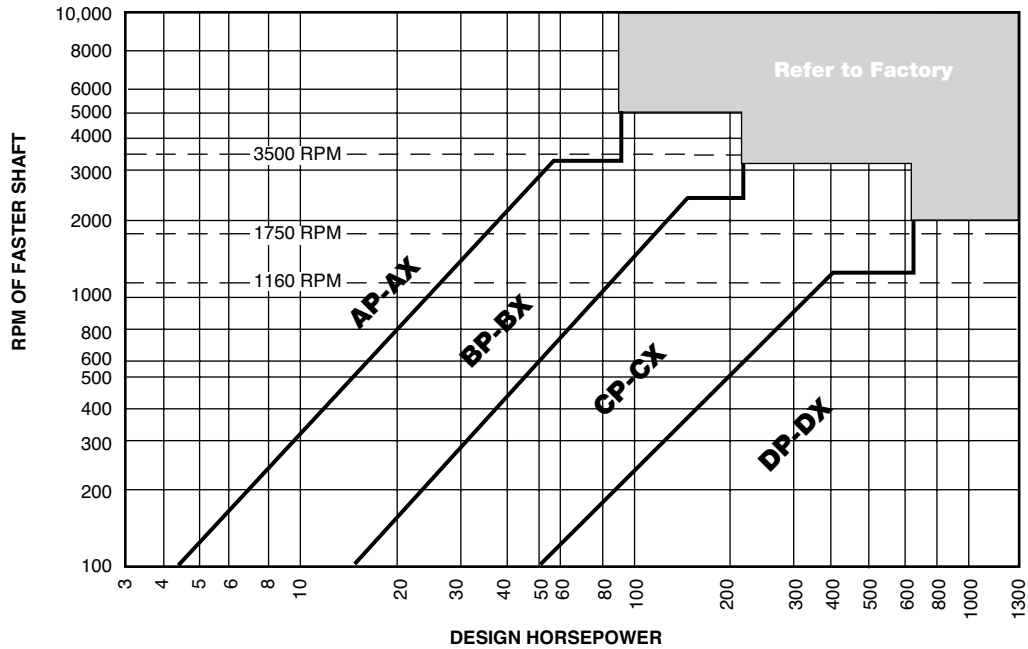
**Note 7** If idlers are used, add the following to the service factor.

Idler on slack side (inside)	None
Idler on slack side (outside)	0.1
Idler on tight side (inside)	0.1
Idler on tight side (outside)	0.2

# Drive Selection

## Classical Belts

2. Select BELT CROSS SECTION using chart below.



3. If using a 60 HZ electric motor, **Note the Minimum Motor Sheave Outside Diameter recommended by NEMA.**

Motor Horsepower	MOTOR RPM			
	870	1160	1750	3500
1/2	2.2	-	-	-
3/4	2.4	2.2	-	-
1	2.4	2.4	2.2	-
1-1/2	2.4	2.4	2.4	2.2
2	3.0	2.4	2.4	2.4
3	3.0	3.0	2.4	2.4
5	3.8	3.0	3.0	2.6
7-1/2	4.4	3.8	3.0	3.0
10	4.6	4.4	3.8	3.0
15	5.4	4.6	4.4	3.8
20	6.0	5.4	4.6	4.4
25	6.8	6.0	5.0	4.4
30	6.8	6.8	5.4	-
40	8.2	6.8	6.0	-
50	9.0	8.2	6.8	-
60	10.0	9.0	7.4	-
75	10.5	10.0	9.0	-
100	12.5	11.0	10.0	-
125	-	12.5	11.5	-
150	-	-	-	-
200	-	-	-	-
250	-	-	-	-
300	-	-	-	-

## Classical Belts

- BELT LENGTH =  $2 \times C + 1.57 \times (D + d) + [(D - d)^2 / (4 \times C)]$
- CENTER DISTANCE =  $1/2 \times [A - h \times (D - d)]$

WHERE:

C = Center Distance (in.)      D = Datum Diameter of larger sheave (in.)  
 L = Belt Datum Length (in.)      d = Datum Diameter of smaller sheave (in.)  
 A =  $L - 1.57 \times (D + d)$       h = Factor from chart below

$\frac{D-d}{A}$	h	$\frac{D-d}{A}$	h	$\frac{D-d}{A}$	h	$\frac{D-d}{A}$	h
0.00	0.00	0.16	0.08	0.30	0.16	0.43	0.24
0.02	0.01	0.18	0.09	0.32	0.17	0.44	0.25
0.04	0.02	0.20	0.10	0.34	0.18	0.46	0.26
0.06	0.03	0.21	0.11	0.35	0.19	0.47	0.27
0.08	0.04	0.23	0.12	0.37	0.20	0.48	0.28
0.10	0.05	0.25	0.13	0.39	0.21	0.50	0.29
0.12	0.06	0.27	0.14	0.40	0.22	0.51	0.30
0.14	0.07	0.29	0.15	0.41	0.23	-	-

### AC FACTORS

$\frac{D-d}{C}$	Factor Ac	$\frac{D-d}{C}$	Factor Ac
0.000	1.000	0.750	0.879
0.025	0.997	0.775	0.874
0.050	0.994	0.800	0.869
0.075	0.990	0.825	0.864
0.100	0.987	0.850	0.858
0.125	0.983	0.875	0.852
0.150	0.980	0.900	0.847
0.175	0.977	0.925	0.841
0.200	0.973	0.950	0.835
0.225	0.969	0.975	0.829
0.250	0.966	1.000	0.823
0.275	0.962	1.025	0.816
0.300	0.958	1.050	0.810
0.325	0.954	1.075	0.803
0.350	0.951	1.100	0.796
0.375	0.947	1.125	0.789
0.400	0.943	1.150	0.782
0.425	0.939	1.175	0.774
0.450	0.935	1.200	0.767
0.475	0.930	1.225	0.759
0.500	0.926	1.250	0.751
0.525	0.922	1.275	0.742
0.550	0.917	1.300	0.734
0.575	0.913	1.325	0.725
0.600	0.908	1.350	0.716
0.625	0.904	1.375	0.706
0.650	0.899	1.400	0.697
0.675	0.894	1.425	0.687
0.700	0.889	-	-
0.725	0.884	-	-

### LC FACTORS

Belt No.	Correction Factor Lc	Belt No.	Correction Factor Lc	Belt No.	Correction Factor Lc	Belt No.	Correction Factor Lc
AP26	.81	BP35	.81	CP51	.80	DP120	.86
AP31	.84	BP38	.83	CP60	.82	DP128	.87
AP35	.87	BP42	.85	CP68	.85	DP144	.90
AP38	.88	BP46	.87	CP75	.87	DP158	.91
AP42	.90	BP51	.89	CP81	.89	DP162	.92
AP46	.92	BP55	.90	CP85	.90	DP173	.93
AP51	.94	BP60	.92	CP90	.91	DP180	.94
AP55	.96	BP68	.95	CP96	.92	DP195	.96
AP60	.98	BP75	.97	CP105	.94	DP210	.96
AP68	1.00	BP81	.98	CP112	.95	DP240	1.00
AP75	1.02	BP85	.99	CP120	.97	DP270	1.03
AP80	1.04	BP90	1.00	CP128	.98	DP300	1.05
AP85	1.05	BP97	1.02	CP136	.99	DP330	1.07
AP90	1.06	BP105	1.04	CP144	1.00	DP360	1.09
AP96	1.08	BP112	1.05	CP158	1.02	DP390	1.11
AP105	1.10	BP120	1.07	CP162	1.03	DP420	1.12
AP112	1.11	BP128	1.08	CP173	1.04	DP480	1.16
AP120	1.13	BP136	1.09	CP180	1.05	DP540	1.18
AP128	1.14	BP144	1.11	CP195	1.07	DP600	1.20
		BP158	1.13	CP210	1.08		
		BP173	1.15	CP240	1.11		
		BP180	1.16	CP270	1.14		
		BP195	1.18	CP300	1.16		
		BP210	1.19	CP360	1.21		
		BP240	1.22	CP390	1.23		
		BP270	1.25	CP420	1.24		
		BP300	1.27				

NOTE: Includes AX, BX, CX, and DX belts.

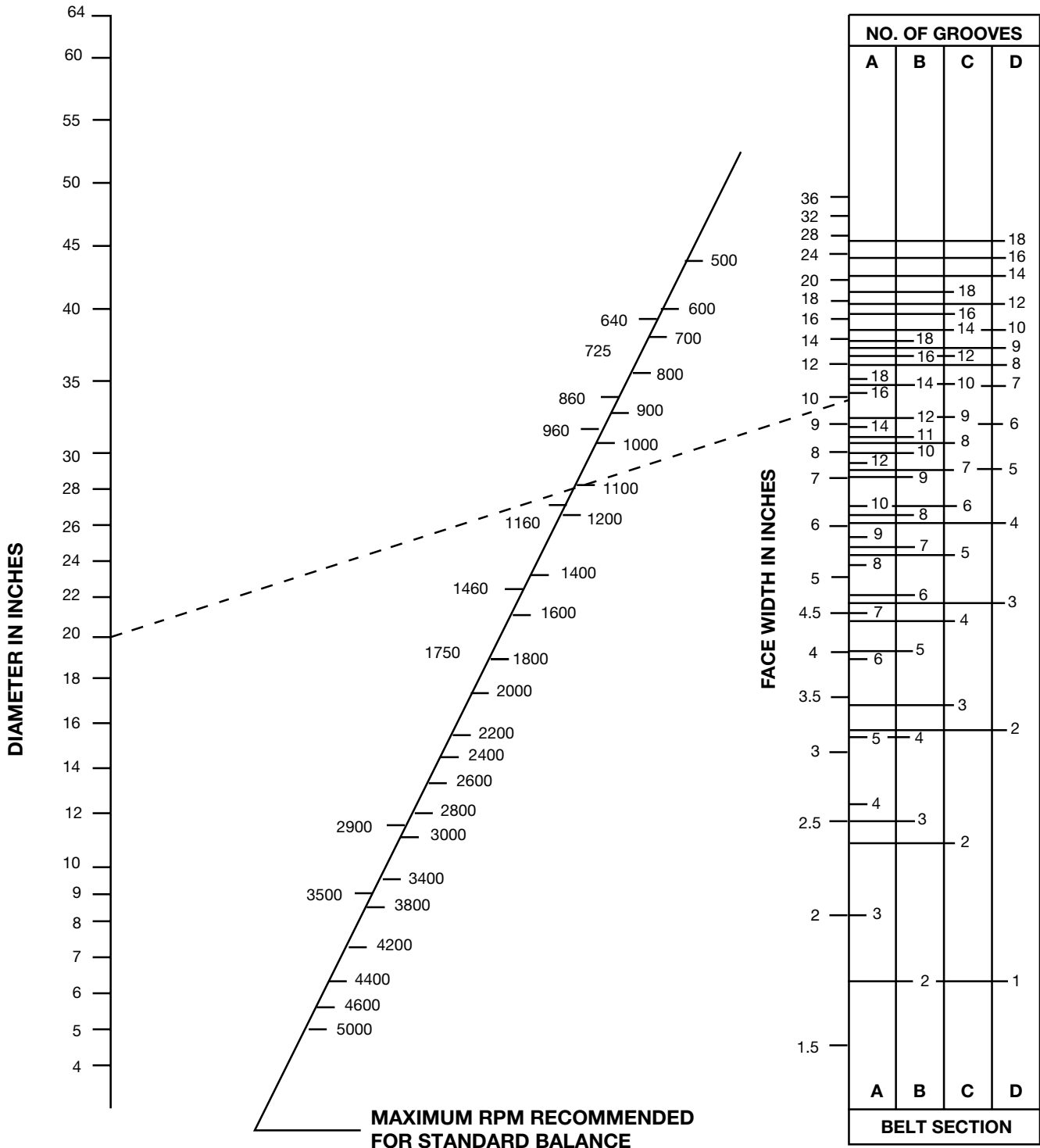
# Balancing Standards

Proper balance of rotating products is important for smooth, vibration-free operation. Standard balance of Wood's stock products is a one plane balance. Depending on the face width, outside diameter, and operating speed a higher precision balance may be required for smooth operation. In those cases a two-plane balance is suggested.

**Note: Two plane balance is for smooth operation only and DOES NOT increase the maximum safe operating speed of the product. Stock cast iron wheels may not exceed 6,550 feet per minute; and ductile iron wheels are limited to 10,000 FPM. (FPM = sheave outside diameter x RPM x .262)**

The nomograph below may be used as a guideline to determine when two-plane balance is recommended. To use this chart lay a straight-edge between the diameter of the part on the left of the chart and the face width of the part on the right. The straight edge will intersect the slanted scale in the center of the chart. When the operating speed is greater than the intersection point a two-plane balance is recommended.

**Example:** If a 20 in. diameter x 10 in. face width sheave runs faster than 1100 rpm, dynamic balancing is recommended.





### Standard Motor Speed – Reduction or 1:1 Ratio Drives

Example: A 30 HP 1750 RPM NEMA B motor driving a piston pump operating at 500 RPM, 24 hours a day. Motor shaft is 1-7/8" diameter, Pump shaft is 2-1/4" diameter, center distance between shafts is 33".

Procedure	Example																		
<b>Step #1: Calculate the Design Horsepower</b> DHP = DriveR HP x service factor (page B2-23)	Service Factor = 1.4 DHP = 30 HP x 1.4 SF = 42																		
<b>Step #2: Choose the Belt Cross Section</b> Reference chart (page B2-24)	42 DHP and 1750 RPM falls in the B section																		
<b>Step #3: Check NEMA recommended Minimum Motor Sheave Outside Diameter</b> (page B2-24)	NEMA minimum O.D. for a 30 HP 1750 RPM motor is 5.2 inches																		
<b>Step #4: Calculate Speed Ratio</b> Speed Ratio = DriveR RPM / DriveN RPM	Speed Ratio = 1750 RPM / 500 RPM = 3.5																		
<b>Step #5: In the Drive Selection Tables corresponding to the correct belt section, locate the drive line with the same ratio. In the event of multiple lines, drives using larger diameters are usually more economical.</b>	Lines 416 (page B2-66) is a 3.51 ratio. The driver used here is larger than the NEMA recommended minimum.																		
<b>Step #6: Note the following information from the drive line:</b> <b>DriveR sheave diameter</b> <b>DriveN sheave diameter</b> <b>Actual RPM</b> - Under the corresponding motor RPM <b>HP Rating Per Belt</b> - Under the corresponding motor RPM <b>Select the desired CD</b> - To the right of the RPM and HP <b>Arc-Length Correction Factor</b> - Bold type above/below CD <b>Belt Length</b> - Column header above Selected CD	From line 416 DriveR DD = 5.4 DriveN DD = 20.0 DriveN speed = 498 RPM when DriveR @ 1750 RPM HP Per Belt = 10.41 HP using BX belt with DriveR @ 1750 RPM CD = 32.6" Arc Length Correction Factor = .97 BX105																		
<b>Step #7: Calculate corrected HP per Belt</b> CHP = HP per Belt x Arc Length Correction Factor	CHP = 10.41 x .97 = 10.09																		
<b>Step #8: Determine number of belts required</b> NOB = Design HP / CHP	NOB = 42 DHP / 10.09 CHP = 4.16 • use 5 belts																		
<b>Step #9: Check for Dynamic Balance Recommendations</b> Reference Chart (page B2-26)	OK as Standard - 5.4 x 5B static balance good to 3250 RPM OK as Standard - 20.0 x 5B static balance good to 1730 RPM																		
<b>Step #10: Specify Drive Components</b> Reference Component Dimensional pages for Product Number	<table border="1"> <thead> <tr> <th>Item</th> <th>Product No.</th> <th>Ref. Page</th> </tr> </thead> <tbody> <tr> <td>DR - 5.4 x 5B sheave</td> <td>545B</td> <td>(B2-6)</td> </tr> <tr> <td>- SK Bushing for 1-7/8" bore</td> <td>SK178</td> <td>(A1-5)</td> </tr> <tr> <td>DN - 20.0 x 5B sheave</td> <td>2005B</td> <td>(B2-6)</td> </tr> <tr> <td>- E Bushing for 2-1/4" bore</td> <td>E214</td> <td>(A1-5)</td> </tr> <tr> <td>Belts - Qty. of 5 belts</td> <td>BX105</td> <td>(B2-19)</td> </tr> </tbody> </table>	Item	Product No.	Ref. Page	DR - 5.4 x 5B sheave	545B	(B2-6)	- SK Bushing for 1-7/8" bore	SK178	(A1-5)	DN - 20.0 x 5B sheave	2005B	(B2-6)	- E Bushing for 2-1/4" bore	E214	(A1-5)	Belts - Qty. of 5 belts	BX105	(B2-19)
Item	Product No.	Ref. Page																	
DR - 5.4 x 5B sheave	545B	(B2-6)																	
- SK Bushing for 1-7/8" bore	SK178	(A1-5)																	
DN - 20.0 x 5B sheave	2005B	(B2-6)																	
- E Bushing for 2-1/4" bore	E214	(A1-5)																	
Belts - Qty. of 5 belts	BX105	(B2-19)																	

# Drive Selection

## Classical Belts

Using Drive Selection Tables and HP Rating Tables

### Speeds Other than Common Motor Speeds and Speed-Up Applications

Example: A 100 HP 1000 RPM internal combustion engine driving a generator operating at 1860 RPM, 3 hours a day. Motor shaft is 2" diameter, generator shaft is 1-7/8" diameter, center distance between shafts is 40".

Procedure	Example																		
<b>Step #1: Calculate the Design Horsepower</b> DHP = DriveR HP x service factor (page B2-23)	Service Factor = 1.1 DHP = 100 HP x 1.1 = 110																		
<b>Step #2: Choose the Belt Cross Section</b> Reference chart (page B2-24)	110 DHP and 1000 RPM falls in the C section																		
<b>Step #3: Check NEMA recommended Minimum Motor Sheave Outside Diameter</b> (page B2-24)	Does Not Apply - DriveR not NEMA Motor																		
<b>Step #4: Calculate Speed Ratio</b> Speed Ratio = Faster RPM / Slower RPM	Speed Ratio = 1860 RPM / 1000 RPM = 1.86																		
<b>Step #5: In the Drive Selection Tables corresponding to the correct belt section, locate the drive line with the same ratio. In the event of multiple lines, drives using larger diameters are usually more economical.</b>	Line 105 is a 1.86 ratio. Due to the application being a speed-up drive the DriveR and DriveN sheave are reversed in the table. Actual RPM = 1000 DriveR RPM x 1.86 = 1860 DriveN RPM																		
<b>Step #6: Note the following information from the drive line:</b> <b>DriveR sheave diameter</b> <b>DriveN sheave diameter</b> <b>Select the desired CD</b> - On the right hand page <b>Arc-Length Correction Factor</b> - Bold type above/below CD <b>Belt Length</b> - Column header above Selected CD	From line 105 DriveR DD = 18.0 DriveN DD = 9.5 CD = 39.6" Arc Length Correction Factor = .94 CP120																		
<b>Step #7: In the HP Rating Tables, following the Drive Selection Tables, locate the HP per Belt under the correct Belt Section.</b> (Use Small Sheave Diameter and RPM)	CP HP Rating Tables (page B2-94) 9.5 diameter sheave @ 1860 RPM - HP/Belt = 21.5																		
<b>Step #8: Calculate corrected HP per Belt</b> Add on for ratio is found to the right of the HP Rating Tables CHP = (HP per Belt + Add on) x Arc Length Correction Factor	Add on for 1.86 ratio = 2.10 CHP = (21.5 + 2.10) x .94 = 22.18																		
<b>Step #9: Determine number of belts required</b> NOB = Design HP / CHP	NOB = 110 DHP / 22.18 CHP = 4.95 • use 5 belts																		
<b>Step #10: Check for Dynamic Balance Recommendations</b> Reference Chart (page B2-26)	OK as Standard - 9.5 x 5C static balance good to 2140 RPM OK as Standard - 18.0 x 5C static balance good to 1570 RPM																		
<b>Step #11: Stock cast iron parts are good to 6500 FPM</b> If operating faster MTO ductile iron is required FPM = diameter (in.) x RPM x .262	18.0 DD = 18.4 OD FPM = 18.4 x 1000 x .262 = 4820 FPM Stock cast iron parts are OK																		
<b>Step #12: Specify Drive Components</b> Reference Component Dimensional pages for Product Number	<table border="1"> <thead> <tr> <th>Item</th> <th>Product No.</th> <th>Ref. Page</th> </tr> </thead> <tbody> <tr> <td>DR - 18.0 x 5C sheave</td> <td>1805C</td> <td>(B2-9)</td> </tr> <tr> <td>- E Bushing for 2" bore</td> <td>E2</td> <td>(A1-5)</td> </tr> <tr> <td>DN - 9.5 x 5C sheave</td> <td>955C</td> <td>(B2-9)</td> </tr> <tr> <td>- E Bushing for 1-7/8" bore</td> <td>E178</td> <td>(A1-5)</td> </tr> <tr> <td>Belts - Qty. of 5 belts</td> <td>CP120</td> <td>(B2-15)</td> </tr> </tbody> </table>	Item	Product No.	Ref. Page	DR - 18.0 x 5C sheave	1805C	(B2-9)	- E Bushing for 2" bore	E2	(A1-5)	DN - 9.5 x 5C sheave	955C	(B2-9)	- E Bushing for 1-7/8" bore	E178	(A1-5)	Belts - Qty. of 5 belts	CP120	(B2-15)
Item	Product No.	Ref. Page																	
DR - 18.0 x 5C sheave	1805C	(B2-9)																	
- E Bushing for 2" bore	E2	(A1-5)																	
DN - 9.5 x 5C sheave	955C	(B2-9)																	
- E Bushing for 1-7/8" bore	E178	(A1-5)																	
Belts - Qty. of 5 belts	CP120	(B2-15)																	

### Non-Stock Diameters

Example: A 25 HP 1160 RPM motor driving a Ball Mill operating at 750 RPM, 8 hours a day.  
The motor shaft is 2-1/8", the Mill is supplied with a 14.75 x 3B flywheel sheave mounted, the center distance is 48".

Procedure	Example															
<b>Step #1: Calculate the Design Horsepower</b> DHP = DriveR HP x service factor (page B2-23)	Service Factor = 1.4 DHP = 25 HP x 1.4 = 35															
<b>Step #2: Choose the Belt Cross Section</b> Reference chart (page B2-24)	35 DHP and 1160 RPM intersect in the B section <i>This agrees with the sheave supplied with the mill</i>															
<b>Step #3: Check NEMA recommended Minimum Motor Sheave Outside Diameter</b> (page B2-24)	Minimum O.D. for a 25 HP 1160 RPM motor is 6.0 inches															
<b>Step #4: Calculate Speed Ratio</b> Speed Ratio = Faster RPM / Slower RPM	Speed Ratio = 1160 RPM / 750 RPM = 1.55															
<b>Step #5: Use the Ratio and any diameter limits or known sheaves to determine the diameters of DriveR and DriveN. Try to utilize stock parts when possible.</b>	14.75 DD Known DriveN Sheave = 15.11 PD 15.11 PD DriveN Sheave / 1.55 Ratio = 9.75 PD DriveR Sheave Use Stock 94 DD stock sheave = 9.76 PD															
<b>Step #6: Using the diameter of the sheave the actual ratio and speed can be calculated.</b>	Actual Ratio = 15.11 PD DriveN / 9.76 PD DriveR = 1.55 Actual RPM = 1160 RPM DriveR / 1.55 = 748 RPM DriveN															
<b>Step #7: Calculate Belt Length to determine the closest stock belt. Then calculate the actual CD using the stock belt.</b> (Formulas on page B2-25)	$BL = 2 \times 48 + 1.57 \times (14.75 + 9.4) + [(14.75 - 9.4)^2 / (4 \times 48)]$ BL = 134.1 • use a BP133 Belt A = 134.8 - 1.57 x (14.75 + 9.4) = 96.88 CD = 1/2 x [96.88 - .03 x (14.75 - 9.4)] = 48.4"															
<b>Step #8: Find the AC and LC correction factors.</b> (page B2-25)	AC factor = .985 LC factor for BP133 belts = 1.08															
<b>Step #9: In the HP Rating Tables, following the Drive Selection Tables, locate the HP per Belt under the correct Belt Section.</b> (Use Small Sheave Diameter and RPM)	BP HP rating tables (page B2-90) 9.4 diameter @ 1160 RPM - HP / Belt = 13.0															
<b>Step #10: Calculate corrected HP per Belt</b> Add on for ratio is found to the right of the HP Rating Tables CHP = (HP per Belt + Add on) x AC x LC	Add on for 1.55 ratio = .57 CHP = (13.0 + .57) x .985 x 1.08 = 14.44															
<b>Step #11: Determine number of belts required</b> NOB = Design HP / CHP	NOB = 35 DHP / 14.44 CHP = 2.42 • use 3 belts															
<b>Step #12: Check for Dynamic Balance Recommendations</b> Reference Chart (page B2-26)	OK as Standard - 9.4 x 3B static balance good to 3160 RPM OK as Standard - 14.75 x 3B static balance good to 2500 RPM															
<b>Step #13: Stock cast iron parts are good to 6500 FPM.</b> If operating faster, MTO ductile iron is required. FPM = diameter (in.) x RPM x .262	FPM = 9.75 x 1160 x .262 = 2963 FPM Standard Cast Iron Parts are OK															
<b>Step #14: Specify Drive Components</b> Reference Component Dimensional pages for Product Number	<table border="1"> <thead> <tr> <th>Item</th> <th>Product No.</th> <th>Ref. Page</th> </tr> </thead> <tbody> <tr> <td>DR - 9.4 x 3B sheave</td> <td>943B</td> <td>(B2-5)</td> </tr> <tr> <td>- SK Bushing for 2-1/8" bore</td> <td>SK218</td> <td>(A1-5)</td> </tr> <tr> <td>DN - Existing 14.75 x 3B sheave</td> <td></td> <td></td> </tr> <tr> <td>Belts - Qty. of 3 belts</td> <td>3BP133</td> <td>(B2-15)</td> </tr> </tbody> </table>	Item	Product No.	Ref. Page	DR - 9.4 x 3B sheave	943B	(B2-5)	- SK Bushing for 2-1/8" bore	SK218	(A1-5)	DN - Existing 14.75 x 3B sheave			Belts - Qty. of 3 belts	3BP133	(B2-15)
Item	Product No.	Ref. Page														
DR - 9.4 x 3B sheave	943B	(B2-5)														
- SK Bushing for 2-1/8" bore	SK218	(A1-5)														
DN - Existing 14.75 x 3B sheave																
Belts - Qty. of 3 belts	3BP133	(B2-15)														

# AP & AX Belts In B Sheaves

## Drive Selection Tables

LINE #	RATIO	STOCK SHEAVES			DRIVEN SPEEDS AND HORSEPOWER RATINGS PER BELT								
		Datum Diameter		Number Grooves	1160 RPM			1750 RPM			3500 RPM		
		DR	DN		Driven Speed	H.P. Ratings		Driven Speed	H.P. Ratings		Driven Speed	H.P. Ratings	
						AP	AX		AP	AX		AP	AX
1	1.00	3.00	3.00	1-6	1160	1.62	1.89	1750	2.13	2.57	3500	3.02	3.98
2	1.00	3.20	3.20	1-6	1160	1.87	2.15	1750	2.50	2.93	3500	3.63	4.61
3	1.00	3.40	3.40	1-6	1160	2.13	2.41	1750	2.86	3.30	3500	4.22	5.22
4	1.00	3.60	3.60	1-6	1160	2.38	2.66	1750	3.21	3.66	3500	4.80	5.83
5	1.00	3.80	3.80	1-6	1160	2.63	2.91	1750	3.57	4.01	3500	5.36	6.42
6	1.00	4.00	4.00	1-6	1160	2.88	3.16	1750	3.92	4.37	3500	5.91	7.00
7	1.00	4.20	4.20	1-6	1160	3.13	3.41	1750	4.26	4.72	3500	6.44	7.57
8	1.00	4.40	4.40	1-6	1160	3.37	3.66	1750	4.61	5.07	3500	6.95	8.12
9	1.00	4.60	4.60	1-6	1160	3.62	3.90	1750	4.94	5.41	3500	7.44	8.66
10	1.00	4.80	4.80	1-6	1160	3.86	4.15	1750	5.28	5.75	3500	7.92	9.18
11	1.00	5.00	5.00	1-8,10	1160	4.10	4.39	1750	5.61	6.09	3500	8.38	9.69
12	1.00	5.20	5.20	1-8,10	1160	4.34	4.63	1750	5.94	6.43	3500	8.82	10.18
13	1.00	5.40	5.40	1-8,10	1160	4.57	4.87	1750	6.27	6.76	3500	9.24	10.66
14	1.00	5.60	5.60	1-8,10	1160	4.81	5.11	1750	6.59	7.09	3500	9.64	11.12
15	1.00	5.80	5.80	1-8,10	1160	5.04	5.35	1750	6.90	7.42	3500	10.02	11.57
16	1.00	6.00	6.00	1-8,10	1160	5.28	5.58	1750	7.22	7.74	3500	10.38	12.00
17	1.00	6.20	6.20	1-8,10	1160	5.51	5.82	1750	7.53	8.06	3500	10.71	12.41
18	1.00	6.40	6.40	1-8,10	1160	5.74	6.05	1750	7.84	8.38	-	-	-
19	1.00	6.60	6.60	1-8,10	1160	5.96	6.28	1750	8.14	8.69	-	-	-
20	1.00	7.00	7.00	1-8,10	1160	6.42	6.74	1750	8.73	9.31	-	-	-
21	1.03	6.40	6.60	1-8,10	1126	5.78	6.09	1699	7.90	8.44	-	-	-
22	1.03	6.20	6.40	1-8,10	1125	5.55	5.86	1697	7.59	8.12	3395	10.84	12.53
23	1.03	6.00	6.20	1-8,10	1124	5.32	5.62	1696	7.28	7.80	3391	10.50	12.12
24	1.03	5.80	6.00	1-8,10	1123	5.09	5.39	1694	6.97	7.48	3388	10.15	11.70
25	1.03	5.60	5.80	1-8,10	1122	4.85	5.15	1692	6.65	7.15	3384	9.77	11.25
26	1.04	5.40	5.60	1-8,10	1120	4.62	4.92	1690	6.33	6.83	3380	9.38	10.79
27	1.04	5.20	5.40	1-8,10	1119	4.38	4.68	1688	6.01	6.50	3376	8.96	10.32
28	1.04	5.00	5.20	1-8,10	1117	4.15	4.44	1686	5.69	6.16	3372	8.53	9.83
29	1.04	4.80	5.00	1-6	1116	3.91	4.20	1683	5.36	5.83	3367	8.07	9.33
30	1.04	4.60	4.80	1-6	1114	3.67	3.96	1681	5.02	5.49	3361	7.60	8.81
31	1.04	4.40	4.60	1-6	1112	3.43	3.71	1678	4.69	5.15	3356	7.11	8.28
32	1.04	4.20	4.40	1-6	1110	3.18	3.47	1675	4.35	4.80	3349	6.61	7.73
33	1.05	4.00	4.20	1-6	1108	2.94	3.22	1671	4.01	4.45	3343	6.09	7.17
34	1.05	3.80	4.00	1-6	1105	2.69	2.97	1668	3.66	4.10	3335	5.55	6.60
35	1.05	3.60	3.80	1-6	1103	2.44	2.72	1664	3.31	3.75	3327	5.00	6.02
36	1.05	3.40	3.60	1-6	1100	2.20	2.47	1659	2.96	3.39	3318	4.43	5.42
37	1.06	3.20	3.40	1-6	1096	1.94	2.22	1654	2.61	3.04	3308	3.85	4.81
38	1.06	6.60	7.00	1-8,10	1096	6.04	6.35	1653	8.25	8.80	-	-	-
39	1.06	3.00	3.20	1-6	1093	1.69	1.97	1649	2.25	2.67	3297	3.25	4.20
40	1.06	6.20	6.60	1-8,10	1092	5.58	5.89	1648	7.64	8.17	3296	10.94	12.63
41	1.06	6.00	6.40	1-8,10	1090	5.35	5.66	1645	7.34	7.85	3289	10.61	12.23
42	1.07	5.80	6.20	1-8,10	1088	5.12	5.42	1641	7.03	7.53	3283	10.26	11.80
43	1.07	5.60	6.00	1-8,10	1086	4.89	5.19	1638	6.71	7.21	3276	9.89	11.36
44	1.07	5.40	5.80	1-8,10	1083	4.66	4.95	1634	6.39	6.88	3269	9.49	10.91
45	1.07	5.20	5.60	1-8,10	1081	4.42	4.72	1630	6.07	6.55	3261	9.08	10.43
46	1.08	5.00	5.40	1-8,10	1078	4.19	4.48	1626	5.75	6.22	3252	8.65	9.95
47	1.08	4.80	5.20	1-6	1075	3.95	4.24	1622	5.42	5.89	3243	8.20	9.45
48	1.08	4.60	5.00	1-6	1072	3.71	4.00	1617	5.09	5.55	3233	7.73	8.93
49	1.08	7.00	7.60	1-8,10	1071	6.51	6.83	1616	8.88	9.45	-	-	-
50	1.09	4.40	4.80	1-6	1068	3.47	3.75	1611	4.76	5.21	3223	7.25	8.41

Shaded area diameters are below industry standard for belt.

# AP & AX Belts In B Sheaves

## Drive Selection Tables

CENTER DISTANCE AND COMBINED ARC-LENGTH CORRECTION FACTOR ▲																LINE #
A26	A31	A35	A38	A42	A46	A51	A55	A60	A68	A75	A80	A85	A90	A96	A105	
8.9	11.4	13.4	14.9	16.9	18.9	21.4	23.4	25.9	29.9	33.4	35.9	38.4	40.9	43.9	48.4	1
8.6	11.1	13.1	14.6	16.6	18.6	21.1	23.1	25.6	29.6	33.1	35.6	38.1	40.6	43.6	48.1	2
8.3	10.8	12.8	14.3	16.3	18.3	20.8	22.8	25.3	29.3	32.8	35.3	37.8	40.3	43.3	47.8	3
8.0	10.5	12.5	14.0	16.0	18.0	20.5	22.5	25.0	29.0	32.5	35.0	37.5	40.0	43.0	47.5	4
7.7	10.2	12.2	13.7	15.7	17.7	20.2	22.2	24.7	28.7	32.2	34.7	37.2	39.7	42.7	47.2	5
■ 0.80	0.84	0.86	0.88	0.90	0.92	0.94	0.95	0.97	.00	.02	1.03	1.04	1.05	1.07	1.09	■
7.4	9.9	11.9	13.4	15.4	17.4	19.9	21.9	24.4	28.4	31.9	34.4	36.9	39.4	42.4	46.9	6
7.1	9.6	11.6	13.1	15.1	17.1	19.6	21.6	24.1	28.1	31.6	34.1	36.6	39.1	42.1	46.6	7
6.7	9.2	11.2	12.7	14.7	16.7	19.2	21.2	23.7	27.7	31.2	33.7	36.2	38.7	41.7	46.2	8
6.4	8.9	10.9	12.4	14.4	16.4	18.9	20.9	23.4	27.4	30.9	33.4	35.9	38.4	41.4	45.9	9
-	8.6	10.6	12.1	14.1	16.1	18.6	20.6	23.1	27.1	30.6	33.1	35.6	38.1	41.1	45.6	10
■ 0.80	0.84	0.86	0.88	0.90	0.92	0.94	0.95	0.97	1.00	1.02	1.03	1.04	1.05	1.07	1.09	■
-	8.3	10.3	11.8	13.8	15.8	18.3	20.3	22.8	26.8	30.3	32.8	35.3	37.8	40.8	45.3	11
-	8.0	10.0	11.5	13.5	15.5	18.0	20.0	22.5	26.5	30.0	32.5	35.0	37.5	40.5	45.0	12
-	7.7	9.7	11.2	13.2	15.2	17.7	19.7	22.2	26.2	29.7	32.2	34.7	37.2	40.2	44.7	13
-	7.4	9.4	10.9	12.9	14.9	17.4	19.4	21.9	25.9	29.4	31.9	34.4	36.9	39.9	44.4	14
-	-	9.0	10.5	12.5	14.5	17.0	19.0	21.5	25.5	29.0	31.5	34.0	36.5	39.5	44.0	15
■ 0.00	0.84	0.86	0.88	0.90	0.92	0.94	0.95	0.97	1.00	1.02	1.03	1.04	1.05	1.07	1.09	■
-	-	8.7	10.2	12.2	14.2	16.7	18.7	21.2	25.2	28.7	31.2	33.7	36.2	39.2	43.7	16
-	-	8.4	9.9	11.9	13.9	16.4	18.4	20.9	24.9	28.4	30.9	33.4	35.9	38.9	43.4	17
-	-	-	9.6	11.6	13.6	16.1	18.1	20.6	24.6	28.1	30.6	33.1	35.6	38.6	43.1	18
-	-	-	9.3	11.3	13.3	15.8	17.8	20.3	24.3	27.8	30.3	32.8	35.3	38.3	42.8	19
-	-	-	-	10.7	12.7	15.2	17.2	19.7	23.7	27.2	29.7	32.2	34.7	37.7	42.2	20
■ 0.00	0.00	0.86	0.88	0.90	0.92	0.94	0.95	0.97	1.00	1.02	1.03	1.04	1.05	1.07	1.09	■
-	-	-	9.4	11.4	13.4	15.9	17.9	20.4	24.4	27.9	30.4	32.9	35.4	38.4	42.9	21
-	-	8.3	9.8	11.8	13.8	16.3	18.3	20.8	24.8	28.3	30.8	33.3	35.8	38.8	43.3	22
-	-	8.6	10.1	12.1	14.1	16.6	18.6	21.1	25.1	28.6	31.1	33.6	36.1	39.1	43.6	23
-	-	8.9	10.4	12.4	14.4	16.9	18.9	21.4	25.4	28.9	31.4	33.9	36.4	39.4	43.9	24
-	-	9.2	10.7	12.7	14.7	17.2	19.2	21.7	25.7	29.2	31.7	34.2	36.7	39.7	44.2	25
■ 0.00	0.00	0.86	0.88	0.90	0.92	0.94	0.95	0.97	1.00	1.02	1.03	1.04	1.05	1.07	1.09	■
-	7.5	9.5	11.0	13.0	15.0	17.5	19.5	22.0	26.0	29.5	32.0	34.5	37.0	40.0	44.5	26
-	7.8	9.8	11.3	13.3	15.3	17.8	19.8	22.3	26.3	29.8	32.3	34.8	37.3	40.3	44.8	27
-	8.1	10.1	11.6	13.6	15.6	18.1	20.1	22.6	26.6	30.1	32.6	35.1	37.6	40.6	45.1	28
-	8.5	10.5	12.0	14.0	16.0	18.5	20.5	23.0	27.0	30.5	33.0	35.5	38.0	41.0	45.5	29
-	8.8	10.8	12.3	14.3	16.3	18.8	20.8	23.3	27.3	30.8	33.3	35.8	38.3	41.3	45.8	30
■ 0.00	0.84	0.86	0.88	0.90	0.92	0.94	0.95	0.97	1.00	1.02	1.03	1.04	1.05	1.07	1.09	■
6.6	9.1	11.1	12.6	14.6	16.6	19.1	21.1	23.6	27.6	31.1	33.6	36.1	38.6	41.6	46.1	31
6.9	9.4	11.4	12.9	14.9	16.9	19.4	21.4	23.9	27.9	31.4	33.9	36.4	38.9	41.9	46.4	32
7.2	9.7	11.7	13.2	15.2	17.2	19.7	21.7	24.2	28.2	31.7	34.2	36.7	39.2	42.2	46.7	33
7.5	10.0	12.0	13.5	15.5	17.5	20.0	22.0	24.5	28.5	32.0	34.5	37.0	39.5	42.5	47.0	34
7.8	10.3	12.3	13.8	15.8	17.8	20.3	22.3	24.8	28.8	32.3	34.8	37.3	39.8	42.8	47.3	35
■ 0.80	0.84	0.86	0.88	0.90	0.92	0.94	0.95	0.97	1.00	1.02	1.03	1.04	1.05	1.07	1.09	■
8.2	10.7	12.7	14.2	16.2	18.2	20.7	22.7	25.2	29.2	32.7	35.2	37.7	40.2	43.2	47.7	36
8.5	11.0	13.0	14.5	16.5	18.5	21.0	23.0	25.5	29.5	33.0	35.5	38.0	40.5	43.5	48.0	37
-	-	-	9.0	11.0	13.0	15.5	17.5	20.0	24.0	27.5	30.0	32.5	35.0	38.0	42.5	38
8.8	11.3	13.3	14.8	16.8	18.8	21.3	23.3	25.8	29.8	33.3	35.8	38.3	40.8	43.8	48.3	39
-	-	-	9.6	11.6	13.6	16.1	18.1	20.6	24.6	28.1	30.6	33.1	35.6	38.6	43.1	40
■ 0.80	0.84	0.86	0.88	0.90	0.92	0.94	0.95	0.97	1.00	1.02	1.03	1.04	1.05	1.07	1.09	■
-	-	8.4	9.9	11.9	13.9	16.4	18.4	20.9	24.9	28.4	30.9	33.4	35.9	38.9	43.4	41
-	-	8.7	10.2	12.2	14.2	16.7	18.7	21.2	25.2	28.7	31.2	33.7	36.2	39.2	43.7	42
-	-	9.0	10.5	12.5	14.5	17.0	19.0	21.5	25.5	29.0	31.5	34.0	36.5	39.5	44.0	43
-	7.4	9.4	10.9	12.9	14.9	17.4	19.4	21.9	25.9	29.4	31.9	34.4	36.9	39.9	44.4	44
-	7.7	9.7	11.2	13.2	15.2	17.7	19.7	22.2	26.2	29.7	32.2	34.7	37.2	40.2	44.7	45
■ 0.00	0.83	0.86	0.88	0.90	0.92	0.94	0.95	0.97	1.00	1.02	1.03	1.04	1.05	1.07	1.09	■
-	8.0	10.0	11.5	13.5	15.5	18.0	20.0	22.5	26.5	30.0	32.5	35.0	37.5	40.5	45.0	46
-	8.3	10.3	11.8	13.8	15.8	18.3	20.3	22.8	26.8	30.3	32.8	35.3	37.8	40.8	45.3	47
-	8.6	10.6	12.1	14.1	16.1	18.6	20.6	23.1	27.1	30.6	33.1	35.6	38.1	41.1	45.6	48
-	-	-	-	10.2	12.2	14.7	16.7	19.2	23.2	26.7	29.2	31.7	34.2	37.2	41.7	49
6.4	8.9	10.9	12.4	14.4	16.4	18.9	20.9	23.4	27.4	30.9	33.4	35.9	38.4	41.4	45.9	50
■ 0.80	0.83	0.86	0.88	0.90	0.92	0.94	0.95	0.97	1.00	1.02	1.03	1.04	1.05	1.07	1.08	■

▲ Not all available belt lengths are shown.

■ Combined Arc-Length correction factors for 5 preceding lines.

# AP & AX Belts In B Sheaves

## Drive Selection Tables

LINE #	RATIO	STOCK SHEAVES			DRIVEN SPEEDS AND HORSEPOWER RATINGS PER BELT								
		Datum Diameter		Number Grooves	1160 RPM			1750 RPM			3500 RPM		
		DR	DN		Driven Speed	H.P. Ratings		Driven Speed	H.P. Ratings		Driven Speed	H.P. Ratings	
						AP	AX		AP	AX		AP	AX
51	1.09	4.20	4.60	1-6	1064	3.23	3.51	1606	4.42	4.87	3211	6.75	7.86
52	1.09	6.40	7.00	1-8,10	1064	5.84	6.15	1605	7.99	8.53	-	-	-
53	1.09	4.00	4.40	1-6	1060	2.99	3.27	1599	4.08	4.52	3199	6.23	7.31
54	1.10	6.00	6.60	1-8,10	1058	5.38	5.69	1597	7.38	7.90	3193	10.70	12.31
55	1.10	3.80	4.20	1-6	1056	2.74	3.02	1593	3.74	4.17	3185	5.70	6.74
56	1.10	5.80	6.40	1-8,10	1055	5.15	5.45	1592	7.07	7.58	3184	10.35	11.89
57	1.10	5.60	6.20	1-8,10	1052	4.92	5.22	1587	6.76	7.25	3174	9.98	11.45
58	1.10	3.60	4.00	1-6	1051	2.49	2.77	1585	3.39	3.82	3171	5.15	6.16
59	1.11	5.40	6.00	1-8,10	1049	4.69	4.98	1582	6.44	6.93	3164	9.59	11.00
60	1.11	3.40	3.80	1-6	1045	2.25	2.52	1577	3.04	3.47	3154	4.58	5.57
61	1.11	5.20	5.80	1-8,10	1045	4.46	4.75	1576	6.12	6.60	3153	9.18	10.53
62	1.11	5.00	5.60	1-8,10	1041	4.22	4.51	1571	5.80	6.27	3141	8.75	10.04
63	1.12	3.20	3.60	1-6	1039	2.00	2.27	1568	2.69	3.11	3136	4.01	4.97
64	1.12	4.80	5.40	1-6	1037	3.98	4.27	1564	5.47	5.94	3128	8.30	9.55
65	1.12	3.00	3.40	1-6	1033	1.75	2.02	1558	2.33	2.75	3116	3.42	4.35
66	1.12	4.60	5.20	1-6	1032	3.75	4.03	1557	5.14	5.60	3115	7.84	9.03
67	1.12	6.20	7.00	1-8,10	1032	5.64	5.94	1557	7.73	8.25	3114	11.11	12.79
68	1.13	4.40	5.00	1-6	1027	3.51	3.79	1550	4.81	5.26	3100	7.36	8.51
69	1.13	5.80	6.60	1-8,10	1025	5.18	5.48	1546	7.11	7.61	3091	10.43	11.97
70	1.13	4.20	4.80	1-6	1022	3.27	3.54	1542	4.47	4.92	3084	6.86	7.97
71	1.14	5.60	6.40	1-8,10	1020	4.95	5.24	1539	6.80	7.29	3079	10.06	11.53
72	1.14	4.00	4.60	1-6	1016	3.02	3.30	1534	4.13	4.57	3067	6.34	7.41
73	1.14	5.40	6.20	1-8,10	1016	4.72	5.01	1533	6.48	6.97	3066	9.67	11.07
74	1.15	6.60	7.60	1-8,10	1012	6.11	6.42	1527	8.36	8.90	-	-	-
75	1.15	5.20	6.00	1-8,10	1012	4.48	4.77	1526	6.16	6.64	3052	9.26	10.61
76	1.15	3.80	4.40	1-6	1010	2.78	3.05	1524	3.79	4.23	3048	5.81	6.85
77	1.15	5.00	5.80	1-8,10	1007	4.25	4.53	1519	5.84	6.31	3037	8.84	10.12
78	1.16	3.60	4.20	1-6	1004	2.53	2.81	1514	3.45	3.88	3028	5.27	6.27
79	1.16	4.80	5.60	1-6	1001	4.01	4.30	1511	5.52	5.98	3021	8.39	9.62
80	1.16	6.00	7.00	1-8,10	1000	5.43	5.73	1509	7.46	7.96	3017	10.85	12.45
81	1.16	3.40	4.00	1-6	996	2.29	2.56	1503	3.10	3.52	3006	4.70	5.68
82	1.16	4.60	5.40	1-6	996	3.78	4.06	1502	5.19	5.64	3004	7.93	9.11
83	1.17	7.00	8.20	1-8,10	995	6.58	6.89	1501	8.98	9.54	-	-	-
84	1.17	5.60	6.60	1-8,10	991	4.97	5.26	1495	6.83	7.32	2989	10.13	11.59
85	1.17	4.40	5.20	1-6	990	3.54	3.81	1493	4.85	5.30	2986	7.44	8.59
86	1.17	3.20	3.80	1-6	988	2.04	2.31	1491	2.75	3.17	2981	4.13	5.08
87	1.18	5.40	6.40	1-8,10	986	4.74	5.03	1487	6.52	7.00	2974	9.74	11.14
88	1.18	4.20	5.00	1-6	983	3.30	3.57	1483	4.52	4.96	2967	6.95	8.05
89	1.18	6.40	7.60	1-8,10	983	5.91	6.21	1482	8.09	8.62	-	-	-
90	1.18	5.20	6.20	1-8,10	980	4.51	4.79	1479	6.20	6.67	2957	9.33	10.67
91	1.18	3.00	3.60	1-6	979	1.79	2.06	1477	2.39	2.81	2955	3.54	4.47
92	1.19	4.00	4.80	1-6	976	3.05	3.33	1473	4.18	4.62	2946	6.43	7.50
93	1.19	5.00	6.00	1-8,10	974	4.27	4.56	1470	5.88	6.34	2940	8.91	10.19
94	1.20	3.80	4.60	1-6	969	2.81	3.08	1461	3.84	4.27	2923	5.90	6.93
95	1.20	4.80	5.80	1-6	968	4.04	4.32	1461	5.55	6.01	2921	8.46	9.69
96	1.20	5.80	7.00	1-8,10	968	5.22	5.52	1460	7.18	7.67	2921	10.56	12.08
97	1.21	4.60	5.60	1-6	962	3.80	4.08	1451	5.22	5.67	2902	8.00	9.18
98	1.21	3.60	4.40	1-6	960	2.56	2.83	1449	3.49	3.92	2898	5.36	6.35
99	1.21	5.40	6.60	1-8,10	957	4.76	5.05	1443	6.55	7.03	2887	9.80	11.19
100	1.22	4.40	5.40	1-6	955	3.56	3.84	1440	4.89	5.33	2881	7.52	8.65

Shaded area diameters are below industry standard for belt.

# AP & AX Belts In B Sheaves

## Drive Selection Tables

CENTER DISTANCE AND COMBINED ARC-LENGTH CORRECTION FACTOR ▲																LINE #
A26	A31	A35	A38	A42	A46	A51	A55	A60	A68	A75	A80	A85	A90	A96	A105	
6.7	9.2	11.2	12.7	14.7	16.7	19.2	21.2	23.7	27.7	31.2	33.7	36.2	38.7	41.7	46.2	51
-	-	-	9.1	11.1	13.1	15.6	17.6	20.1	24.1	27.6	30.1	32.6	35.1	38.1	42.6	52
7.0	9.6	11.6	13.1	15.1	17.1	19.6	21.6	24.1	28.1	31.6	34.1	36.6	39.1	42.1	46.6	53
-	-	8.2	9.7	11.8	13.8	16.3	18.3	20.8	24.8	28.3	30.8	33.3	35.8	38.8	43.3	54
7.4	9.9	11.9	13.4	15.4	17.4	19.9	21.9	24.4	28.4	31.9	34.4	36.9	39.4	42.4	46.9	55
■ 0.80	■ 0.84	■ 0.86	■ 0.88	■ 0.90	■ 0.91	■ 0.94	■ 0.95	■ 0.97	■ 1.00	■ 1.02	■ 1.03	■ 1.04	■ 1.05	■ 1.07	■ 1.08	■
-	-	8.6	10.1	12.1	14.1	16.6	18.6	21.1	25.1	28.6	31.1	33.6	36.1	39.1	43.6	56
-	-	8.9	10.4	12.4	14.4	16.9	18.9	21.4	25.4	28.9	31.4	33.9	36.4	39.4	43.9	57
7.7	10.2	12.2	13.7	15.7	17.7	20.2	22.2	24.7	28.7	32.2	34.7	37.2	39.7	42.7	47.2	58
-	-	9.2	10.7	12.7	14.7	17.2	19.2	21.7	25.7	29.2	31.7	34.2	36.7	39.7	44.2	59
8.0	10.5	12.5	14.0	16.0	18.0	20.5	22.5	25.0	29.0	32.5	35.0	37.5	40.0	43.0	47.5	60
■ 0.80	■ 0.84	■ 0.86	■ 0.88	■ 0.90	■ 0.91	■ 0.94	■ 0.95	■ 0.97	■ 1.00	■ 1.02	■ 1.03	■ 1.04	■ 1.05	■ 1.07	■ 1.08	■
-	7.5	9.5	11.0	13.0	15.0	17.5	19.5	22.0	26.0	29.5	32.0	34.5	37.0	40.0	44.5	61
-	7.8	9.8	11.3	13.3	15.3	17.8	19.8	22.3	26.3	29.8	32.3	34.8	37.3	40.3	44.8	62
8.3	10.8	12.8	14.3	16.3	18.3	20.8	22.8	25.3	29.3	32.8	35.3	37.8	40.3	43.3	47.8	63
-	8.1	10.1	11.6	13.6	15.6	18.1	20.1	22.6	26.6	30.1	32.6	35.1	37.6	40.6	45.1	64
8.6	11.1	13.1	14.6	16.6	18.6	21.1	23.1	25.6	29.6	33.1	35.6	38.1	40.6	43.6	48.1	65
■ 0.80	■ 0.83	■ 0.86	■ 0.88	■ 0.90	■ 0.91	■ 0.94	■ 0.95	■ 0.97	■ 1.00	■ 1.02	■ 1.03	■ 1.04	■ 1.05	■ 1.07	■ 1.08	■
-	8.4	10.4	11.9	13.9	16.0	18.5	20.5	23.0	27.0	30.5	33.0	35.5	38.0	41.0	45.5	66
-	-	-	9.3	11.3	13.3	15.8	17.8	20.3	24.3	27.8	30.3	32.8	35.3	38.3	42.8	67
-	8.8	10.8	12.3	14.3	16.3	18.8	20.8	23.3	27.3	30.8	33.3	35.8	38.3	41.3	45.8	68
-	-	8.4	9.9	11.9	13.9	16.4	18.4	20.9	24.9	28.4	30.9	33.4	35.9	38.9	43.4	69
6.6	9.1	11.1	12.6	14.6	16.6	19.1	21.1	23.6	27.6	31.1	33.6	36.1	38.6	41.6	46.1	70
■ 0.80	■ 0.83	■ 0.86	■ 0.87	■ 0.89	■ 0.91	■ 0.93	■ 0.95	■ 0.97	■ 0.99	■ 1.01	■ 1.03	■ 1.04	■ 1.05	■ 1.07	■ 1.08	■
-	-	8.7	10.2	12.2	14.2	16.7	18.7	21.2	25.2	28.7	31.2	33.7	36.2	39.2	43.7	71
6.9	9.4	11.4	12.9	14.9	16.9	19.4	21.4	23.9	27.9	31.4	33.9	36.4	38.9	41.9	46.4	72
-	-	9.0	10.5	12.5	14.5	17.0	19.0	21.5	25.5	29.0	31.5	34.0	36.5	39.5	44.0	73
-	-	-	-	10.5	12.5	15.0	17.0	19.5	23.5	27.0	29.5	32.0	34.5	37.5	42.0	74
-	-	9.3	10.8	12.8	14.8	17.3	19.3	21.8	25.8	29.3	31.8	34.3	36.8	39.8	44.3	75
■ 0.80	■ 0.83	■ 0.85	■ 0.87	■ 0.89	■ 0.91	■ 0.93	■ 0.95	■ 0.97	■ 0.99	■ 1.01	■ 1.03	■ 1.04	■ 1.05	■ 1.07	■ 1.08	■
7.2	9.7	11.7	13.2	15.2	17.2	19.7	21.7	24.2	28.2	31.7	34.2	36.7	39.2	42.2	46.7	76
-	7.7	9.7	11.2	13.2	15.2	17.7	19.7	22.2	26.2	29.7	32.2	34.7	37.2	40.2	44.7	77
7.5	10.0	12.0	13.5	15.5	17.5	20.0	22.0	24.5	28.5	32.0	34.5	37.0	39.5	42.5	47.0	78
-	8.0	10.0	11.5	13.5	15.5	18.0	20.0	22.5	26.5	30.0	32.5	35.0	37.5	40.5	45.0	79
-	-	-	9.4	11.4	13.4	15.9	17.9	20.4	24.4	27.9	30.4	32.9	35.4	38.4	42.9	80
■ 0.80	■ 0.83	■ 0.86	■ 0.87	■ 0.89	■ 0.91	■ 0.93	■ 0.95	■ 0.97	■ 0.99	■ 1.01	■ 1.03	■ 1.04	■ 1.05	■ 1.07	■ 1.08	■
7.8	10.3	12.3	13.8	15.8	17.8	20.3	22.3	24.8	28.8	32.3	34.8	37.3	39.8	42.8	47.3	81
-	8.3	10.3	11.8	13.8	15.8	18.3	20.3	22.8	26.8	30.3	32.8	35.3	37.8	40.8	45.3	82
-	-	-	-	9.7	11.7	14.2	16.2	18.7	22.7	26.2	28.7	31.2	33.7	36.7	41.2	83
-	-	8.6	10.1	12.1	14.1	16.6	18.6	21.1	25.1	28.6	31.1	33.6	36.1	39.1	43.6	84
-	8.6	10.6	12.1	14.1	16.1	18.6	20.6	23.1	27.1	30.6	33.1	35.6	38.1	41.1	45.6	85
■ 0.80	■ 0.83	■ 0.85	■ 0.87	■ 0.89	■ 0.91	■ 0.93	■ 0.95	■ 0.97	■ 0.99	■ 1.01	■ 1.03	■ 1.04	■ 1.05	■ 1.06	■ 1.08	■
8.1	10.6	12.6	14.1	16.1	18.1	20.7	22.7	25.2	29.2	32.7	35.2	37.7	40.2	43.2	47.7	86
-	-	8.9	10.4	12.4	14.4	16.9	18.9	21.4	25.4	28.9	31.4	33.9	36.4	39.4	43.9	87
6.4	8.9	10.9	12.4	14.4	16.4	18.9	20.9	23.4	27.4	30.9	33.4	35.9	38.4	41.4	45.9	88
-	-	-	-	10.6	12.6	15.1	17.1	19.6	23.6	27.1	29.6	32.1	34.6	37.6	42.2	89
-	-	9.2	10.7	12.7	14.7	17.2	19.2	21.7	25.7	29.2	31.7	34.2	36.7	39.7	44.2	90
■ 0.79	■ 0.83	■ 0.85	■ 0.87	■ 0.89	■ 0.91	■ 0.93	■ 0.95	■ 0.97	■ 0.99	■ 1.01	■ 1.03	■ 1.04	■ 1.05	■ 1.06	■ 1.08	■
8.5	11.0	13.0	14.5	16.5	18.5	21.0	23.0	25.5	29.5	33.0	35.5	38.0	40.5	43.5	48.0	91
6.7	9.2	11.2	12.7	14.7	16.7	19.2	21.2	23.7	27.7	31.2	33.7	36.2	38.7	41.7	46.2	92
-	7.5	9.5	11.0	13.0	15.0	17.5	19.5	22.0	26.0	29.5	32.0	34.5	37.0	40.0	44.5	93
7.0	9.5	11.5	13.0	15.0	17.0	19.5	21.5	24.0	28.0	31.6	34.1	36.6	39.1	42.1	46.6	94
-	7.8	9.8	11.3	13.3	15.3	17.8	19.8	22.3	26.3	29.8	32.3	34.8	37.3	40.3	44.8	95
■ 0.79	■ 0.83	■ 0.85	■ 0.87	■ 0.89	■ 0.91	■ 0.93	■ 0.95	■ 0.97	■ 0.99	■ 1.01	■ 1.03	■ 1.04	■ 1.05	■ 1.07	■ 1.08	■
-	-	-	9.6	11.6	13.6	16.1	18.1	20.6	24.6	28.1	30.6	33.1	35.6	38.6	43.1	96
-	8.1	10.1	11.6	13.6	15.6	18.1	20.1	22.6	26.6	30.1	32.6	35.1	37.6	40.6	45.1	97
7.4	9.9	11.9	13.4	15.4	17.4	19.9	21.9	24.4	28.4	31.9	34.4	36.9	39.4	42.4	46.9	98
-	-	8.7	10.2	12.2	14.2	16.7	18.7	21.2	25.2	28.7	31.2	33.7	36.2	39.2	43.7	99
-	8.4	10.4	11.9	13.9	15.9	18.4	20.4	22.9	26.9	30.4	32.9	35.4	37.9	41.0	45.5	100
■ 0.79	■ 0.83	■ 0.85	■ 0.87	■ 0.89	■ 0.91	■ 0.93	■ 0.95	■ 0.97	■ 0.99	■ 1.01	■ 1.03	■ 1.04	■ 1.05	■ 1.06	■ 1.08	■

▲ Not all available belt lengths are shown.

■ Combined Arc-Length correction factors for 5 preceding lines.



# AP & AX Belts In B Sheaves

## Drive Selection Tables

LINE #	RATIO	STOCK SHEAVES			DRIVEN SPEEDS AND HORSEPOWER RATINGS PER BELT								
		Datum Diameter		Number Grooves	1160 RPM			1750 RPM			3500 RPM		
		DR	DN		Driven Speed	H.P. Ratings		Driven Speed	H.P. Ratings		Driven Speed	H.P. Ratings	
						AP	AX		AP	AX		AP	AX
101	1.22	6.20	7.60	1-8,10	953	5.70	5.99	1438	7.81	8.33	2876	11.28	12.95
102	1.22	3.40	4.20	1-6	951	2.32	2.59	1435	3.15	3.57	2871	4.80	5.76
103	1.22	5.20	6.40	1-8,10	951	4.53	4.81	1434	6.23	6.70	2868	9.39	10.72
104	1.22	4.20	5.20	1-6	947	3.32	3.59	1429	4.55	4.99	2858	7.02	8.11
105	1.23	5.00	6.20	1-8,10	944	4.29	4.57	1424	5.91	6.37	2849	8.96	10.24
106	1.23	3.20	4.00	1-6	942	2.07	2.34	1421	2.79	3.21	2841	4.22	5.16
107	1.23	6.60	8.20	1-8,10	940	6.16	6.46	1419	8.44	8.97	-	-	-
108	1.24	4.00	5.00	1-6	939	3.08	3.35	1417	4.22	4.65	2833	6.50	7.56
109	1.24	4.80	6.00	1-6	937	4.06	4.33	1414	5.58	6.03	2828	8.52	9.74
110	1.24	5.60	7.00	1-8,10	936	5.01	5.30	1412	6.89	7.37	2824	10.24	11.69
111	1.25	3.00	3.80	1-6	931	1.82	2.08	1404	2.44	2.85	2809	3.63	4.55
112	1.25	3.80	4.80	1-6	930	2.83	3.10	1403	3.87	4.30	2807	5.97	6.99
113	1.25	4.60	5.80	1-6	930	3.82	4.09	1403	5.25	5.70	2806	8.06	9.23
114	1.26	6.00	7.60	1-8,10	924	5.48	5.78	1393	7.53	8.03	2787	11.00	12.58
115	1.26	5.20	6.60	1-8,10	923	4.54	4.83	1392	6.25	6.72	2785	9.44	10.77
116	1.26	4.40	5.60	1-6	922	3.58	3.85	1391	4.92	5.36	2782	7.57	8.70
117	1.26	3.60	4.60	1-6	921	2.59	2.86	1389	3.53	3.95	2778	5.43	6.42
118	1.27	5.00	6.40	1-8,10	916	4.31	4.59	1382	5.93	6.39	2763	9.01	10.28
119	1.27	4.20	5.40	1-6	914	3.34	3.61	1378	4.58	5.02	2757	7.08	8.16
120	1.27	6.40	8.20	1-8,10	913	5.95	6.25	1377	8.16	8.68	-	-	-
121	1.27	3.40	4.40	1-6	911	2.34	2.61	1374	3.18	3.60	2747	4.87	5.83
122	1.28	7.00	9.00	1-8,10	909	6.63	6.94	1372	9.06	9.61	-	-	-
123	1.28	4.80	6.20	1-6	908	4.07	4.35	1370	5.60	6.06	2740	8.57	9.78
124	1.28	4.00	5.20	1-6	905	3.10	3.37	1365	4.24	4.67	2729	6.56	7.61
125	1.28	5.40	7.00	1-8,10	904	4.79	5.07	1364	6.59	7.07	2728	9.89	11.27
126	1.29	4.60	6.00	1-6	900	3.83	4.11	1358	5.28	5.72	2716	8.10	9.27
127	1.29	3.20	4.20	1-6	899	2.09	2.36	1357	2.83	3.24	2713	4.29	5.22
128	1.30	3.80	5.00	1-6	895	2.85	3.12	1350	3.90	4.33	2700	6.03	7.04
129	1.30	5.80	7.60	1-8,10	894	5.27	5.55	1349	7.24	7.73	2697	10.69	12.19
130	1.30	4.40	5.80	1-6	892	3.60	3.87	1345	4.94	5.38	2690	7.62	8.75
131	1.30	5.00	6.60	1-8,10	889	4.32	4.60	1341	5.95	6.41	2682	9.06	10.32
132	1.31	3.00	4.00	1-6	887	1.84	2.10	1338	2.47	2.88	2676	3.70	4.61
133	1.31	6.20	8.20	1-8,10	885	5.73	6.03	1336	7.87	8.38	2672	11.40	13.05
134	1.31	3.60	4.80	1-6	884	2.61	2.87	1334	3.56	3.97	2668	5.48	6.47
135	1.31	4.20	5.60	1-6	882	3.35	3.62	1331	4.61	5.04	2662	7.12	8.21
136	1.32	4.80	6.40	1-6	881	4.09	4.36	1329	5.63	6.07	2658	8.61	9.82
137	1.33	3.40	4.60	1-6	873	2.36	2.62	1317	3.21	3.62	2634	4.92	5.87
138	1.33	4.00	5.40	1-6	873	3.11	3.38	1316	4.27	4.69	2633	6.61	7.65
139	1.33	4.60	6.20	1-6	872	3.85	4.12	1316	5.30	5.74	2632	8.14	9.31
140	1.33	5.20	7.00	1-8,10	872	4.57	4.85	1316	6.29	6.75	2631	9.52	10.83
141	1.34	5.60	7.60	1-8,10	864	5.05	5.33	1304	6.94	7.42	2608	10.35	11.78
142	1.34	4.40	6.00	1-6	863	3.61	3.88	1302	4.96	5.40	2604	7.66	8.78
143	1.35	3.80	5.20	1-6	862	2.87	3.13	1300	3.93	4.34	2601	6.08	7.08
144	1.35	3.20	4.40	1-6	861	2.11	2.37	1298	2.86	3.26	2597	4.35	5.27
145	1.35	6.60	9.00	1-8,10	859	6.20	6.50	1296	8.50	9.03	-	-	-
146	1.35	6.00	8.20	1-8,10	858	5.52	5.80	1294	7.58	8.07	2589	11.10	12.67
147	1.36	4.80	6.60	1-6	855	4.10	4.37	1290	5.64	6.09	2580	8.64	9.85
148	1.36	4.20	5.80	1-6	853	3.37	3.63	1287	4.63	5.05	2574	7.16	8.24
149	1.36	3.60	5.00	1-6	851	2.62	2.88	1283	3.58	3.99	2567	5.53	6.50
150	1.37	3.00	4.20	1-6	847	1.86	2.12	1278	2.50	2.90	2556	3.76	4.66

Shaded area diameters are below industry standard for belt.

# AP & AX Belts In B Sheaves

## Drive Selection Tables

CENTER DISTANCE AND COMBINED ARC-LENGTH CORRECTION FACTOR ▲																LINE #
A26	A31	A35	A38	A42	A46	A51	A55	A60	A68	A75	A80	A85	A90	A96	A105	
-	-	-	8.8	10.8	12.8	15.3	17.3	19.8	23.8	27.3	29.8	32.3	34.8	37.8	42.3	101
7.7	10.2	12.2	13.7	15.7	17.7	20.2	22.2	24.7	28.7	32.2	34.7	37.2	39.7	42.7	47.2	102
-	-	9.0	10.5	12.5	14.5	17.0	19.0	21.5	25.5	29.0	31.5	34.0	36.5	39.5	44.0	103
-	8.8	10.8	12.3	14.3	16.3	18.8	20.8	23.3	27.3	30.8	33.3	35.8	38.3	41.3	45.8	104
-	-	9.3	10.8	12.8	14.8	17.3	19.3	21.8	25.8	29.3	31.8	34.3	36.8	39.8	44.3	105
■ 0.79	0.83	0.85	0.87	0.89	0.91	0.93	0.95	0.97	0.99	1.01	1.03	1.04	1.05	1.06	1.08	■
8.0	10.5	12.5	14.0	16.0	18.0	20.5	22.5	25.0	29.0	32.5	35.0	37.5	40.0	43.0	47.5	106
-	-	-	-	10.0	12.0	14.5	16.5	19.0	23.0	26.5	29.0	31.5	34.0	37.0	41.5	107
6.6	9.1	11.1	12.6	14.6	16.6	19.1	21.1	23.6	27.6	31.1	33.6	36.1	38.6	41.6	46.1	108
-	7.6	9.6	11.2	13.2	15.2	17.7	19.7	22.2	26.2	29.7	32.2	34.7	37.2	40.2	44.7	109
-	-	8.2	9.7	11.7	13.7	16.2	18.2	20.7	24.7	28.2	30.7	33.2	35.7	38.7	43.2	110
■ 0.79	0.83	0.85	0.87	0.89	0.91	0.93	0.95	0.97	0.99	1.01	1.03	1.04	1.05	1.06	1.08	■
8.3	10.8	12.8	14.3	16.3	18.3	20.8	22.8	25.3	29.3	32.8	35.3	37.8	40.3	43.3	47.8	111
6.9	9.4	11.4	12.9	14.9	16.9	19.4	21.4	23.9	27.9	31.4	33.9	36.4	38.9	41.9	46.4	112
-	8.0	10.0	11.5	13.5	15.5	18.0	20.0	22.5	26.5	30.0	32.5	35.0	37.5	40.5	45.0	113
-	-	-	8.9	10.9	12.9	15.4	17.5	20.0	24.0	27.5	30.0	32.5	35.0	38.0	42.5	114
-	-	8.9	10.4	12.4	14.4	16.9	18.9	21.4	25.4	28.9	31.4	33.9	36.4	39.4	43.9	115
■ 0.79	0.83	0.85	0.87	0.89	0.91	0.93	0.95	0.97	0.99	1.01	1.03	1.04	1.05	1.06	1.08	■
-	8.3	10.3	11.8	13.8	15.8	18.3	20.3	22.8	26.8	30.3	32.8	35.3	37.8	40.8	45.3	116
7.2	9.7	11.7	13.2	15.2	17.2	19.7	21.7	24.2	28.2	31.7	34.2	36.7	39.2	42.2	46.7	117
-	-	9.2	10.7	12.7	14.7	17.2	19.2	21.7	25.7	29.2	31.7	34.2	36.7	39.7	44.2	118
-	8.6	10.6	12.1	14.1	16.1	18.6	20.6	23.1	27.1	30.6	33.1	35.6	38.1	41.1	45.6	119
-	-	-	-	10.1	12.1	14.7	16.7	19.2	23.2	26.7	29.2	31.7	34.2	37.2	41.7	120
■ 0.79	0.83	0.85	0.87	0.89	0.91	0.93	0.95	0.96	0.99	1.01	1.03	1.04	1.05	1.06	1.08	■
7.5	10.0	12.0	13.5	15.5	17.5	20.0	22.0	24.5	28.5	32.0	34.5	37.0	39.5	42.5	47.0	121
-	-	-	-	-	11.0	13.5	15.6	18.1	22.1	25.6	28.1	30.6	33.1	36.1	40.6	122
-	7.5	9.5	11.0	13.0	15.0	17.5	19.5	22.0	26.0	29.5	32.0	34.5	37.0	40.0	44.5	123
6.4	8.9	10.9	12.4	14.4	16.4	18.9	20.9	23.4	27.4	30.9	33.4	35.9	38.4	41.4	45.9	124
-	-	8.4	9.9	11.9	13.9	16.4	18.4	20.9	24.9	28.4	30.9	33.4	35.9	38.9	43.4	125
■ 0.79	0.82	0.85	0.87	0.89	0.91	0.93	0.94	0.96	0.99	1.01	1.02	1.04	1.05	1.06	1.08	■
-	7.8	9.8	11.3	13.3	15.3	17.8	19.8	22.3	26.3	29.8	32.3	34.8	37.3	40.3	44.8	126
7.8	10.3	12.3	13.8	15.8	17.8	20.3	22.3	24.8	28.8	32.3	34.8	37.3	39.8	42.8	47.3	127
6.7	9.2	11.2	12.7	14.7	16.7	19.2	21.2	23.7	27.7	31.2	33.7	36.2	38.7	41.7	46.2	128
-	-	-	9.1	11.1	13.1	15.6	17.6	20.1	24.1	27.6	30.1	32.6	35.1	38.1	42.6	129
-	8.1	10.1	11.6	13.6	15.6	18.1	20.1	22.6	26.6	30.1	32.6	35.1	37.6	40.6	45.1	130
■ 0.79	0.82	0.85	0.87	0.89	0.91	0.93	0.95	0.96	0.99	1.01	1.03	1.04	1.05	1.06	1.08	■
-	-	9.0	10.5	12.5	14.5	17.0	19.0	21.5	25.5	29.0	31.5	34.0	36.5	39.5	44.0	131
8.1	10.6	12.6	14.1	16.1	18.1	20.6	22.6	25.1	29.1	32.6	35.1	37.6	40.1	43.1	47.6	132
-	-	-	10.3	12.3	14.8	16.8	19.3	23.3	26.8	29.3	31.8	34.3	37.3	41.8	133	
7.0	9.5	11.5	13.0	15.0	17.0	19.5	21.5	24.0	28.0	31.5	34.0	36.5	39.0	42.0	46.5	134
-	8.4	10.4	11.9	13.9	15.9	18.4	20.4	22.9	26.9	30.4	32.9	35.4	37.9	40.9	45.4	135
■ 0.79	0.83	0.85	0.87	0.89	0.91	0.93	0.95	0.96	0.99	1.01	1.02	1.04	1.05	1.06	1.08	■
-	-	9.3	10.8	12.8	14.8	17.3	19.3	21.8	25.8	29.3	31.8	34.3	36.8	39.8	44.3	136
7.3	9.8	11.8	13.4	15.4	17.4	19.9	21.9	24.4	28.4	31.9	34.4	36.9	39.4	42.4	46.9	137
-	8.7	10.7	12.2	14.3	16.3	18.8	20.8	23.3	27.3	30.8	33.3	35.8	38.3	41.3	45.8	138
-	7.6	9.6	11.1	13.1	15.1	17.6	19.6	22.1	26.1	29.6	32.1	34.6	37.1	40.1	44.6	139
-	-	8.5	10.0	12.0	14.0	16.5	18.5	21.0	25.0	28.5	31.0	33.5	36.0	39.0	43.5	140
■ 0.79	0.82	0.85	0.86	0.89	0.91	0.93	0.95	0.96	0.99	1.01	1.02	1.04	1.05	1.06	1.08	■
-	-	9.2	11.2	13.2	15.2	17.8	19.8	22.3	26.3	29.8	32.3	34.8	37.3	40.3	44.8	141
-	7.9	9.9	11.5	13.5	15.5	18.0	20.0	22.5	26.5	30.0	32.5	35.0	37.5	40.5	45.0	142
6.5	9.1	11.1	12.6	14.6	16.6	19.1	21.1	23.6	27.6	31.1	33.6	36.1	38.6	41.6	46.1	143
7.7	10.2	12.2	13.7	15.7	17.7	20.2	22.2	24.7	28.7	32.2	34.7	37.2	39.7	42.7	47.2	144
-	-	-	-	-	11.3	13.8	15.9	18.4	22.4	25.9	28.4	30.9	33.4	36.4	40.9	145
■ 0.78	0.82	0.85	0.86	0.89	0.90	0.93	0.94	0.96	0.99	1.01	1.02	1.04	1.05	1.06	1.08	■
-	-	-	-	10.4	12.4	15.0	17.0	19.5	23.5	27.0	29.5	32.0	34.5	37.5	42.0	146
-	-	9.2	10.7	12.7	14.7	17.2	19.2	21.7	25.7	29.2	31.7	34.2	36.7	39.7	44.2	147
-	8.3	10.3	11.8	13.8	15.8	18.3	20.3	22.8	26.8	30.3	32.8	35.3	37.8	40.8	45.3	148
6.9	9.4	11.4	12.9	14.9	16.9	19.4	21.4	23.9	27.9	31.4	33.9	36.4	38.9	41.9	46.4	149
8.0	10.5	12.5	14.0	16.0	18.0	20.5	22.5	25.0	29.0	32.5	35.0	37.5	40.0	43.0	47.5	150
■ 0.79	0.82	0.85	0.87	0.89	0.91	0.93	0.94	0.96	0.99	1.01	1.02	1.04	1.05	1.06	1.08	■

▲ Not all available belt lengths are shown.

■ Combined Arc-Length correction factors for 5 preceding lines.

# AP & AX Belts In B Sheaves

## Drive Selection Tables

LINE #	RATIO	STOCK SHEAVES			DRIVEN SPEEDS AND HORSEPOWER RATINGS PER BELT								
		Datum Diameter		Number Grooves	1160 RPM			1750 RPM			3500 RPM		
		DR	DN		Driven Speed	H.P. Ratings		Driven Speed	H.P. Ratings		Driven Speed	H.P. Ratings	
						AP	AX		AP	AX		AP	AX
151	1.37	4.60	6.40	1-6	846	3.86	4.13	1276	5.31	5.75	2553	8.18	9.34
152	1.38	4.00	5.60	1-6	843	3.12	3.39	1271	4.29	4.71	2543	6.65	7.68
153	1.38	5.00	7.00	1-8,10	840	4.34	4.62	1267	5.98	6.43	2534	9.12	10.37
154	1.38	3.40	4.80	1-6	838	2.37	2.64	1265	3.23	3.64	2530	4.97	5.91
155	1.39	4.40	6.20	1-6	836	3.62	3.89	1262	4.98	5.41	2523	7.70	8.81
156	1.39	5.40	7.60	1-8,10	835	4.82	5.10	1260	6.64	7.11	2519	9.99	11.35
157	1.39	6.40	9.00	1-8,10	834	5.99	6.28	1258	8.21	8.72	-	-	-
158	1.40	3.80	5.40	1-6	832	2.88	3.14	1254	3.94	4.36	2509	6.11	7.12
159	1.40	5.80	8.20	1-8,10	831	5.29	5.58	1253	7.28	7.76	2506	10.77	12.27
160	1.40	4.20	6.00	1-6	826	3.38	3.64	1246	4.64	5.07	2492	7.20	8.27
161	1.41	3.20	4.60	1-6	825	2.12	2.38	1245	2.88	3.28	2490	4.39	5.31
162	1.41	4.60	6.60	1-6	821	3.87	4.14	1239	5.33	5.76	2478	8.21	9.36
163	1.42	3.60	5.20	1-6	819	2.63	2.89	1236	3.60	4.01	2472	5.57	6.54
164	1.42	4.00	5.80	1-6	815	3.13	3.40	1229	4.30	4.72	2459	6.68	7.71
165	1.43	4.40	6.40	1-6	811	3.63	3.90	1224	4.99	5.42	2447	7.72	8.83
166	1.43	3.00	4.40	1-6	811	1.87	2.13	1223	2.52	2.92	2446	3.80	4.69
167	1.43	6.20	9.00	1-8,10	809	5.76	6.05	1220	7.92	8.42	2441	11.49	13.13
168	1.44	4.80	7.00	1-6	808	4.12	4.39	1219	5.67	6.11	2438	8.70	9.90
169	1.44	3.40	5.00	1-6	806	2.39	2.64	1217	3.25	3.65	2433	5.00	5.94
170	1.44	5.20	7.60	1-8,10	805	4.60	4.87	1215	6.33	6.79	2430	9.60	10.90
171	1.44	3.80	5.60	1-6	803	2.89	3.15	1212	3.96	4.37	2423	6.15	7.14
172	1.44	5.60	8.20	1-8,10	803	5.07	5.35	1212	6.98	7.45	2423	10.42	11.84
173	1.45	4.20	6.20	1-6	800	3.39	3.65	1207	4.66	5.08	2415	7.22	8.29
174	1.46	3.20	4.80	1-6	792	2.14	2.39	1196	2.90	3.30	2391	4.42	5.34
175	1.47	3.60	5.40	1-6	790	2.64	2.90	1192	3.61	4.02	2385	5.60	6.56
176	1.47	4.00	6.00	1-6	789	3.14	3.41	1190	4.32	4.73	2380	6.70	7.73
177	1.47	4.40	6.60	1-6	787	3.64	3.90	1188	5.01	5.43	2376	7.75	8.85
178	1.48	6.00	9.00	1-8,10	784	5.54	5.83	1182	7.62	8.11	2365	11.18	12.74
179	1.49	3.00	4.60	1-6	777	1.88	2.14	1173	2.54	2.94	2345	3.83	4.72
180	1.49	3.40	5.20	1-6	777	2.40	2.65	1172	3.26	3.67	2344	5.03	5.97
181	1.49	3.80	5.80	1-6	777	2.90	3.16	1171	3.97	4.38	2343	6.17	7.16
182	1.49	4.20	6.40	1-6	776	3.39	3.66	1171	4.67	5.09	2342	7.25	8.31
183	1.49	4.60	7.00	1-6	776	3.88	4.15	1171	5.35	5.78	2341	8.25	9.40
184	1.50	5.00	7.60	1-8,10	776	4.37	4.64	1170	6.02	6.46	2341	9.19	10.43
185	1.50	5.40	8.20	1-8,10	776	4.84	5.12	1170	6.67	7.13	2340	10.05	11.40
186	1.50	7.00	10.60	1-8,10	775	6.68	6.98	1169	9.14	9.68	-	-	-
187	1.52	4.00	6.20	1-6	764	3.15	3.41	1153	4.33	4.74	2306	6.73	7.75
188	1.52	3.60	5.60	1-6	763	2.65	2.91	1152	3.63	4.03	2303	5.62	6.58
189	1.52	3.20	5.00	1-6	762	2.15	2.40	1150	2.91	3.31	2300	4.45	5.36
190	1.53	5.80	9.00	1-8,10	759	5.32	5.60	1145	7.32	7.79	2289	10.84	12.32
191	1.54	4.20	6.60	1-6	754	3.40	3.66	1137	4.68	5.10	2274	7.26	8.32
192	1.54	3.80	6.00	1-6	752	2.91	3.16	1134	3.98	4.39	2268	6.19	7.18
193	1.55	3.40	5.40	1-6	749	2.40	2.66	1131	3.27	3.68	2261	5.05	5.98
194	1.55	5.20	8.20	1-8,10	748	4.61	4.88	1129	6.36	6.81	2257	9.65	10.94
195	1.55	3.00	4.80	1-6	747	1.89	2.15	1126	2.55	2.95	2252	3.86	4.74
196	1.55	4.80	7.60	1-6	746	4.13	4.40	1126	5.70	6.13	2252	8.75	9.94
197	1.56	4.40	7.00	1-6	744	3.65	3.91	1122	5.02	5.45	2245	7.78	8.88
198	1.56	4.00	6.40	1-6	741	3.16	3.42	1118	4.34	4.75	2237	6.75	7.77
199	1.57	3.60	5.80	1-6	738	2.66	2.91	1114	3.64	4.04	2227	5.64	6.60
200	1.58	3.20	5.20	1-6	734	2.15	2.41	1108	2.92	3.32	2216	4.47	5.38

Shaded area diameters are below industry standard for belt.

# AP & AX Belts In B Sheaves

## Drive Selection Tables

CENTER DISTANCE AND COMBINED ARC-LENGTH CORRECTION FACTOR ▲																LINE #
A26	A31	A35	A38	A42	A46	A51	A55	A60	A68	A75	A80	A85	A90	A96	A105	
-	7.5	9.5	11.0	13.0	15.0	17.5	19.5	22.0	26.0	29.5	32.0	34.5	37.0	40.0	44.5	151
-	8.6	10.6	12.1	14.1	16.1	18.6	20.6	23.1	27.1	30.6	33.1	35.6	38.1	41.1	45.6	152
-	-	8.7	10.2	12.2	14.2	16.7	18.7	21.2	25.2	28.7	31.2	33.7	36.2	39.2	43.7	153
7.2	9.7	11.7	13.2	15.2	17.2	19.7	21.7	24.2	28.2	31.7	34.2	36.7	39.2	42.2	46.7	154
-	7.8	9.8	11.3	13.3	15.3	17.8	19.8	22.3	26.3	29.8	32.3	34.8	37.3	40.3	44.8	155
■ 0.78	0.82	0.84	0.86	0.89	0.91	0.93	0.94	0.96	0.99	1.01	1.02	1.04	1.05	1.06	1.08	■
-	-	-	9.4	11.4	13.4	15.9	17.9	20.4	24.4	27.9	30.4	32.9	35.4	38.4	42.9	156
-	-	-	-	9.5	11.5	14.0	16.0	18.5	22.5	26.0	28.5	31.0	33.5	36.5	41.0	157
6.4	8.9	10.9	12.4	14.4	16.4	18.9	20.9	23.4	27.4	30.9	33.4	35.9	38.4	41.4	45.9	158
-	-	-	-	10.6	12.6	15.1	17.1	19.6	23.6	27.1	29.6	32.1	34.6	37.6	42.1	159
-	8.1	10.1	11.6	13.6	15.6	18.1	20.1	22.6	26.6	30.1	32.6	35.1	37.6	40.6	45.1	160
■ 0.78	0.82	0.85	0.86	0.88	0.90	0.92	0.94	0.96	0.99	1.01	1.02	1.03	1.05	1.06	1.08	■
7.5	10.0	12.0	13.5	15.5	17.5	20.0	22.0	24.5	28.5	32.0	34.5	37.0	39.5	42.5	47.0	161
-	-	9.3	10.8	12.8	14.8	17.3	19.3	21.8	25.8	29.3	31.8	34.3	36.8	39.8	44.3	162
6.7	9.2	11.2	12.7	14.7	16.7	19.2	21.2	23.7	27.7	31.2	33.7	36.2	38.7	41.7	46.2	163
-	8.4	10.4	11.9	13.9	15.9	18.4	20.4	22.9	26.9	30.4	32.9	35.4	37.9	40.9	45.4	164
-	7.6	9.6	11.1	13.1	15.1	17.6	19.6	22.1	26.1	29.7	32.2	34.7	37.2	40.2	44.7	165
■ 0.78	0.82	0.84	0.86	0.89	0.91	0.93	0.94	0.96	0.99	1.01	1.02	1.04	1.05	1.06	1.08	■
7.8	10.3	12.3	13.8	15.8	17.8	20.3	22.3	24.8	28.8	32.3	34.8	37.3	39.8	42.8	47.3	166
-	-	-	-	9.6	11.6	14.1	16.2	18.7	22.7	26.2	28.7	31.2	33.7	36.7	41.2	167
-	-	8.8	10.3	12.3	14.3	16.8	18.9	21.4	25.4	28.9	31.4	33.9	36.4	39.4	43.9	168
7.0	9.5	11.5	13.0	15.0	17.0	19.5	21.5	24.0	28.0	31.5	34.0	36.5	39.0	42.0	46.5	169
-	-	-	9.5	11.5	13.5	16.1	18.1	20.6	24.6	28.1	30.6	33.1	35.6	38.6	43.1	170
■ 0.78	0.82	0.84	0.86	0.88	0.90	0.92	0.94	0.96	0.99	1.01	1.02	1.03	1.05	1.06	1.08	■
-	8.7	10.7	12.2	14.2	16.2	18.7	20.7	23.2	27.3	30.8	33.3	35.8	38.3	41.3	45.8	171
-	-	-	8.7	10.7	12.7	15.3	17.3	19.8	23.8	27.3	29.8	32.3	34.8	37.8	42.3	172
-	7.9	9.9	11.4	13.4	15.4	18.0	20.0	22.5	26.5	30.0	32.5	35.0	37.5	40.5	45.0	173
7.3	9.8	11.8	13.3	15.3	17.3	19.9	21.9	24.4	28.4	31.9	34.4	36.9	39.4	42.4	46.9	174
6.5	9.0	11.0	12.5	14.6	16.6	19.1	21.1	23.6	27.6	31.1	33.6	36.1	38.6	41.6	46.1	175
■ 0.78	0.82	0.84	0.86	0.88	0.90	0.93	0.94	0.96	0.99	1.01	1.02	1.04	1.05	1.06	1.08	■
-	8.2	10.2	11.8	13.8	15.8	18.3	20.3	22.8	26.8	30.3	32.8	35.3	37.8	40.8	45.3	176
-	7.4	9.4	11.0	13.0	15.0	17.5	19.5	22.0	26.0	29.5	32.0	34.5	37.0	40.0	44.5	177
-	-	-	9.8	11.8	14.3	16.3	18.8	22.8	26.3	28.8	31.3	33.8	36.8	41.3	45.8	178
7.6	10.1	12.2	13.7	15.7	17.7	20.2	22.2	24.7	28.7	32.2	34.7	37.2	39.7	42.7	47.2	179
6.8	9.4	11.4	12.9	14.9	16.9	19.4	21.4	23.9	27.9	31.4	33.9	36.4	38.9	41.9	46.4	180
■ 0.78	0.81	0.84	0.86	0.88	0.90	0.92	0.94	0.96	0.99	1.01	1.02	1.03	1.05	1.06	1.08	■
-	8.6	10.6	12.1	14.1	16.1	18.6	20.6	23.1	27.1	30.6	33.1	35.6	38.1	41.1	45.6	181
-	7.7	9.8	11.3	13.3	15.3	17.8	19.8	22.3	26.3	29.8	32.3	34.8	37.3	40.3	44.8	182
-	-	9.0	10.5	12.5	14.5	17.0	19.0	21.5	25.5	29.0	31.5	34.0	36.5	39.5	44.0	183
-	-	8.2	9.7	11.7	13.7	16.2	18.2	20.7	24.7	28.2	30.7	33.2	35.7	38.7	43.2	184
-	-	-	8.9	10.9	12.9	15.4	17.4	19.9	23.9	27.4	29.9	32.4	34.9	37.9	42.4	185
■ 0.00	0.81	0.83	0.85	0.88	0.90	0.92	0.94	0.96	0.99	1.01	1.02	1.03	1.05	1.06	1.08	■
-	-	-	-	-	-	12.2	14.2	16.7	20.7	24.3	26.8	29.3	31.8	34.8	39.3	186
-	8.1	10.1	11.6	13.6	15.6	18.1	20.1	22.6	26.6	30.1	32.6	35.1	37.6	40.6	45.1	187
-	8.9	10.9	12.4	14.4	16.4	18.9	20.9	23.4	27.4	30.9	33.4	35.9	38.4	41.4	45.9	188
7.2	9.7	11.7	13.2	15.2	17.2	19.7	21.7	24.2	28.2	31.7	34.2	36.7	39.2	42.2	46.7	189
-	-	-	-	9.9	11.9	14.4	16.4	19.0	23.0	26.5	29.0	31.5	34.0	37.0	41.5	190
■ 0.78	0.81	0.84	0.86	0.88	0.90	0.92	0.94	0.96	0.98	1.01	1.02	1.03	1.04	1.06	1.08	■
-	7.6	9.6	11.1	13.1	15.1	17.6	19.6	22.1	26.1	29.6	32.1	34.6	37.1	40.1	44.7	191
-	8.4	10.4	11.9	13.9	15.9	18.4	20.4	22.9	26.9	30.4	32.9	35.4	37.9	40.9	45.4	192
6.7	9.2	11.2	12.7	14.7	16.7	19.2	21.2	23.7	27.7	31.2	33.7	36.2	38.7	41.7	46.2	193
-	-	-	9.0	11.0	13.0	15.6	17.6	20.1	24.1	27.6	30.1	32.6	35.1	38.1	42.6	194
7.5	10.0	12.0	13.5	15.5	17.5	20.0	22.0	24.5	28.5	32.0	34.5	37.0	39.5	42.5	47.0	195
■ 0.77	0.81	0.84	0.86	0.88	0.90	0.92	0.94	0.96	0.99	1.01	1.02	1.03	1.05	1.06	1.08	■
-	-	8.3	9.8	11.8	13.8	16.4	18.4	20.9	24.9	28.4	30.9	33.4	35.9	38.9	43.4	196
-	-	9.1	10.6	12.6	14.6	17.1	19.2	21.7	25.7	29.2	31.7	34.2	36.7	39.7	44.2	197
-	7.9	9.9	11.4	13.4	15.4	17.9	19.9	22.4	26.5	30.0	32.5	35.0	37.5	40.5	45.0	198
-	8.7	10.7	12.2	14.2	16.2	18.7	20.7	23.2	27.2	30.7	33.2	35.8	38.3	41.3	45.8	199
7.0	9.5	11.5	13.0	15.0	17.0	19.5	21.5	24.0	28.0	31.5	34.0	36.5	39.0	42.0	46.5	200
■ 0.77	0.81	0.83	0.85	0.88	0.90	0.92	0.94	0.96	0.99	1.01	1.02	1.03	1.05	1.06	1.08	■

▲ Not all available belt lengths are shown.

■ Combined Arc-Length correction factors for 5 preceding lines.

# AP & AX Belts In B Sheaves

## Drive Selection Tables

LINE #	RATIO	STOCK SHEAVES			DRIVEN SPEEDS AND HORSEPOWER RATINGS PER BELT								
		Datum Diameter		Number Grooves	1160 RPM			1750 RPM			3500 RPM		
		DR	DN		Driven Speed	H.P. Ratings		Driven Speed	H.P. Ratings		Driven Speed	H.P. Ratings	
						AP	AX		AP	AX		AP	AX
201	1.58	5.60	9.00	1-8,10	734	5.09	5.36	1107	7.01	7.47	2214	10.48	11.89
202	1.58	6.60	10.60	1-8,10	732	6.24	6.54	1105	8.56	9.08	-	-	-
203	1.59	3.80	6.20	1-6	728	2.91	3.17	1099	3.99	4.40	2198	6.21	7.19
204	1.60	3.40	5.60	1-6	724	2.41	2.66	1092	3.28	3.68	2184	5.07	6.00
205	1.61	5.00	8.20	1-8,10	721	4.38	4.65	1087	6.04	6.48	2175	9.23	10.46
206	1.61	4.00	6.60	1-6	720	3.16	3.42	1086	4.34	4.76	2172	6.76	7.78
207	1.62	3.00	5.00	1-6	718	1.90	2.15	1083	2.56	2.95	2167	3.88	4.75
208	1.62	4.60	7.60	1-6	717	3.90	4.16	1081	5.37	5.80	2162	8.30	9.43
209	1.62	3.60	6.00	1-6	715	2.66	2.92	1078	3.64	4.05	2156	5.66	6.61
210	1.63	4.20	7.00	1-6	712	3.41	3.67	1074	4.69	5.11	2148	7.30	8.35
211	1.63	6.40	10.60	1-8,10	711	6.02	6.31	1073	8.27	8.77	-	-	-
212	1.64	5.40	9.00	1-8,10	709	4.86	5.13	1069	6.70	7.15	2138	10.10	11.44
213	1.64	3.20	5.40	1-6	708	2.16	2.41	1069	2.93	3.32	2137	4.49	5.39
214	1.64	3.80	6.40	1-6	706	2.92	3.17	1066	4.00	4.41	2132	6.22	7.21
215	1.66	3.40	5.80	1-6	700	2.41	2.67	1056	3.29	3.69	2112	5.09	6.01
216	1.67	4.80	8.20	1-6	693	4.15	4.41	1046	5.72	6.15	2092	8.79	9.97
217	1.68	3.60	6.20	1-6	692	2.67	2.92	1045	3.65	4.05	2089	5.67	6.62
218	1.68	3.00	5.20	1-6	692	1.91	2.16	1044	2.57	2.96	2087	3.89	4.77
219	1.68	6.20	10.60	1-8,10	690	5.80	6.08	1040	7.97	8.46	2081	11.59	13.21
220	1.69	4.40	7.60	1-6	687	3.66	3.92	1037	5.04	5.46	2073	7.82	8.91
221	1.69	7.00	12.00	1-8,10	687	6.71	7.00	1036	9.17	9.71	-	-	-
222	1.69	3.80	6.60	1-6	686	2.92	3.18	1035	4.01	4.41	2069	6.24	7.22
223	1.70	3.20	5.60	1-6	684	2.16	2.42	1032	2.94	3.33	2064	4.51	5.40
224	1.70	5.20	9.00	1-8,10	683	4.63	4.90	1031	6.38	6.83	2062	9.69	10.98
225	1.71	4.00	7.00	1-6	680	3.17	3.43	1026	4.36	4.77	2052	6.79	7.80
226	1.71	3.40	6.00	1-6	677	2.42	2.67	1022	3.30	3.69	2044	5.10	6.02
227	1.73	3.60	6.40	1-6	672	2.67	2.93	1013	3.66	4.06	2026	5.68	6.63
228	1.74	6.00	10.60	1-8,10	668	5.57	5.85	1008	7.66	8.14	2016	11.26	12.80
229	1.74	3.00	5.40	1-6	667	1.91	2.16	1007	2.58	2.97	2013	3.91	4.78
230	1.74	4.60	8.20	1-6	666	3.91	4.17	1004	5.39	5.81	2009	8.33	9.46
231	1.75	3.20	5.80	1-6	661	2.17	2.42	998	2.94	3.33	1996	4.52	5.41
232	1.76	5.00	9.00	1-8,10	658	4.39	4.66	993	6.06	6.49	1986	9.27	10.49
233	1.76	4.20	7.60	1-6	658	3.42	3.68	992	4.71	5.12	1984	7.33	8.37
234	1.77	3.40	6.20	1-6	656	2.42	2.67	990	3.30	3.70	1981	5.11	6.03
235	1.78	3.60	6.60	1-6	652	2.68	2.93	984	3.66	4.06	1967	5.69	6.64
236	1.79	6.60	12.00	1-8,10	649	6.26	6.55	979	8.59	9.10	-	-	-
237	1.79	3.80	7.00	1-6	648	2.93	3.18	978	4.02	4.42	1955	6.26	7.23
238	1.79	5.80	10.60	1-8,10	647	5.34	5.62	976	7.35	7.82	1952	10.91	12.38
239	1.80	3.00	5.60	1-6	644	1.91	2.16	972	2.58	2.97	1944	3.92	4.79
240	1.81	3.20	6.00	1-6	640	2.17	2.42	966	2.95	3.34	1932	4.53	5.42
241	1.82	4.40	8.20	1-6	638	3.67	3.93	963	5.06	5.47	1926	7.85	8.93
242	1.82	3.40	6.40	1-6	637	2.43	2.68	961	3.31	3.70	1921	5.12	6.04
243	1.83	4.80	9.00	1-6	633	4.16	4.42	955	5.73	6.16	1911	8.82	9.99
244	1.84	6.40	12.00	1-8,10	630	6.04	6.32	950	8.29	8.79	-	-	-
245	1.85	4.00	7.60	1-6	628	3.18	3.43	947	4.37	4.78	1895	6.81	7.82
246	1.85	5.60	10.60	1-8,10	625	5.11	5.38	944	7.04	7.50	1887	10.54	11.94
247	1.86	7.00	13.20	1-8,10	625	6.72	7.01	943	9.19	9.72	-	-	-
248	1.86	3.00	5.80	1-6	623	1.92	2.17	940	2.59	2.97	1880	3.93	4.79
249	1.87	3.20	6.20	1-6	620	2.17	2.42	936	2.95	3.34	1872	4.54	5.43
250	1.88	3.40	6.60	1-6	618	2.43	2.68	932	3.31	3.71	1865	5.13	6.04

Shaded area diameters are below industry standard for belt.

# AP & AX Belts In B Sheaves

## Drive Selection Tables

CENTER DISTANCE AND COMBINED ARC-LENGTH CORRECTION FACTOR ▲																LINE #
A31	A35	A38	A42	A46	A51	A55	A60	A68	A75	A80	A85	A90	A96	A105	A112	
-	-	-	10.0	12.1	14.6	16.6	19.1	23.1	26.6	29.1	31.6	34.1	37.1	41.6	45.2	201
-	-	-	-	-	12.5	14.5	17.0	21.0	24.6	27.1	29.6	32.1	35.1	39.6	43.1	202
8.2	10.2	11.7	13.7	15.8	18.3	20.3	22.8	26.8	30.3	32.8	35.3	37.8	40.8	45.3	48.8	203
9.0	11.0	12.5	14.5	16.5	19.0	21.1	23.6	27.6	31.1	33.6	36.1	38.6	41.6	46.1	49.6	204
-	-	9.1	11.2	13.2	15.7	17.7	20.2	24.2	27.7	30.2	32.7	35.2	38.2	42.8	46.3	205
■	0.81	0.84	0.85	0.87	0.89	0.91	0.93	0.95	0.98	1.00	1.02	1.03	1.04	1.06	1.08	1.09 ■
7.7	9.7	11.2	13.3	15.3	17.8	19.8	22.3	26.3	29.8	32.3	34.8	37.3	40.3	44.8	48.3	206
9.8	11.8	13.3	15.3	17.3	19.8	21.8	24.3	28.3	31.9	34.4	36.9	39.4	42.4	46.9	50.4	207
-	8.4	10.0	12.0	14.0	16.5	18.5	21.0	25.0	28.5	31.0	33.5	36.0	39.0	43.5	47.0	208
8.5	10.5	12.1	14.1	16.1	18.6	20.6	23.1	27.1	30.6	33.1	35.6	38.1	41.1	45.6	49.1	209
-	9.2	10.8	12.8	14.8	17.3	19.3	21.8	25.8	29.3	31.8	34.3	36.8	39.8	44.3	47.8	210
■	0.81	0.83	0.85	0.88	0.90	0.92	0.94	0.96	0.99	1.01	1.02	1.03	1.05	1.06	1.08	1.09 ■
-	-	-	-	-	12.6	14.6	17.2	21.2	24.7	27.2	29.7	32.2	35.2	39.7	43.2	211
-	-	-	10.2	12.2	14.7	16.7	19.3	23.3	26.8	29.3	31.8	34.3	37.3	41.8	45.3	212
9.3	11.3	12.8	14.9	16.9	19.4	21.4	23.9	27.9	31.4	33.9	36.4	38.9	41.9	46.4	49.9	213
8.0	10.1	11.6	13.6	15.6	18.1	20.1	22.6	26.6	30.1	32.6	35.1	37.6	40.6	45.1	48.6	214
8.8	10.9	12.4	14.4	16.4	18.9	20.9	23.4	27.4	30.9	33.4	35.9	38.4	41.4	45.9	49.4	215
■	0.81	0.84	0.86	0.87	0.90	0.91	0.93	0.95	0.98	1.00	1.02	1.03	1.04	1.06	1.08	1.09 ■
-	-	9.3	11.3	13.3	15.8	17.9	20.4	24.4	27.9	30.4	32.9	35.4	38.4	42.9	46.4	216
8.4	10.4	11.9	13.9	15.9	18.4	20.4	22.9	26.9	30.4	32.9	35.4	37.9	40.9	45.4	48.9	217
9.6	11.7	13.2	15.2	17.2	19.7	21.7	24.2	28.2	31.7	34.2	36.7	39.2	42.2	46.7	50.2	218
-	-	-	-	10.2	12.8	14.8	17.3	21.3	24.9	27.4	29.9	32.4	35.4	39.9	43.4	219
-	8.6	10.1	12.1	14.1	16.6	18.7	21.2	25.2	28.7	31.2	33.7	36.2	39.2	43.7	47.2	220
■	0.81	0.83	0.85	0.87	0.89	0.91	0.93	0.95	0.98	1.00	1.02	1.03	1.04	1.06	1.08	1.09 ■
-	-	-	-	-	-	13.0	15.5	19.6	23.1	25.6	28.1	30.6	33.6	38.1	41.7	221
7.9	9.9	11.4	13.4	15.4	17.9	19.9	22.4	26.4	29.9	32.5	35.0	37.5	40.5	45.0	48.5	222
9.2	11.2	12.7	14.7	16.7	19.2	21.2	23.7	27.7	31.2	33.7	36.2	38.7	41.7	46.2	49.7	223
-	-	-	10.3	12.4	14.9	16.9	19.4	23.4	26.9	29.4	31.9	34.4	37.4	42.0	45.5	224
7.4	9.4	10.9	12.9	14.9	17.4	19.5	22.0	26.0	29.5	32.0	34.5	37.0	40.0	44.5	48.0	225
■	0.80	0.83	0.85	0.87	0.89	0.92	0.93	0.95	0.98	1.00	1.02	1.03	1.04	1.06	1.07	1.09 ■
8.7	10.7	12.2	14.2	16.2	18.7	20.7	23.2	27.2	30.7	33.2	35.7	38.2	41.2	45.7	49.3	226
8.2	10.2	11.7	13.7	15.7	18.2	20.2	22.8	26.8	30.3	32.8	35.3	37.8	40.8	45.3	48.8	227
-	-	-	-	10.4	12.9	14.9	17.5	21.5	25.0	27.5	30.0	32.5	35.5	40.0	43.6	228
9.5	11.5	13.0	15.0	17.0	19.5	21.5	24.0	28.0	31.5	34.0	36.5	39.0	42.0	46.5	50.0	229
-	-	9.4	11.5	13.5	16.0	18.0	20.5	24.5	28.0	30.5	33.0	35.6	38.6	43.1	46.6	230
■	0.80	0.84	0.85	0.87	0.89	0.91	0.93	0.95	0.98	1.00	1.02	1.03	1.04	1.06	1.08	1.09 ■
9.0	11.0	12.5	14.5	16.5	19.0	21.0	23.5	27.6	31.1	33.6	36.1	38.6	41.6	46.1	49.6	231
-	-	-	10.5	12.5	15.0	17.0	19.6	23.6	27.1	29.6	32.1	34.6	37.6	42.1	45.6	232
-	8.7	10.2	12.3	14.3	16.8	18.8	21.3	25.3	28.8	31.3	33.8	36.3	39.3	43.8	47.4	233
8.5	10.5	12.0	14.0	16.0	18.6	20.6	23.1	27.1	30.6	33.1	35.6	38.1	41.1	45.6	49.1	234
8.0	10.0	11.5	13.6	15.6	18.1	20.1	22.6	26.6	30.1	32.6	35.1	37.6	40.6	45.1	48.6	235
■	0.80	0.83	0.85	0.87	0.89	0.92	0.93	0.95	0.98	1.00	1.02	1.03	1.04	1.06	1.08	1.09 ■
-	-	-	-	-	11.2	13.3	15.8	19.9	23.4	25.9	28.4	30.9	33.9	38.4	42.0	236
7.5	9.5	11.1	13.1	15.1	17.6	19.6	22.1	26.1	29.6	32.1	34.6	37.1	40.1	44.6	48.1	237
-	-	-	-	10.5	13.0	15.1	17.6	21.6	25.2	27.7	30.2	32.7	35.7	40.2	43.7	238
9.3	11.3	12.8	14.8	16.8	19.4	21.4	23.9	27.9	31.4	33.9	36.4	38.9	41.9	46.4	49.9	239
8.8	10.8	12.3	14.4	16.4	18.9	20.9	23.4	27.4	30.9	33.4	35.9	38.4	41.4	45.9	49.4	240
■	0.80	0.83	0.85	0.88	0.89	0.90	0.92	0.95	0.98	1.00	1.01	1.03	1.04	1.05	1.07	1.09 ■
-	-	9.6	11.6	13.6	16.1	18.2	20.7	24.7	28.2	30.7	33.2	35.7	38.7	43.2	46.7	241
8.3	10.3	11.9	13.9	15.9	18.4	20.4	22.9	26.9	30.4	32.9	35.4	37.9	40.9	45.4	48.9	242
-	-	-	10.6	12.6	15.2	17.2	19.7	23.7	27.2	29.7	32.2	34.7	37.8	42.3	45.8	243
-	-	-	-	-	11.4	13.4	16.0	20.0	23.5	26.0	28.6	31.1	34.1	38.6	42.1	244
-	8.9	10.4	12.4	14.4	16.9	19.0	21.5	25.5	29.0	31.5	34.0	36.5	39.5	44.0	47.5	245
■	0.80	0.82	0.84	0.86	0.89	0.90	0.92	0.94	0.97	1.00	1.01	1.03	1.04	1.05	1.07	1.09 ■
-	-	-	-	10.6	13.2	15.2	17.8	21.8	25.3	27.8	30.3	32.8	35.8	40.3	43.9	246
-	-	-	-	-	11.9	14.5	18.5	22.1	24.6	27.1	29.6	32.6	37.2	40.7	247	
9.1	11.2	12.7	14.7	16.7	19.2	21.2	23.7	27.7	31.2	33.7	36.2	38.7	41.7	46.2	49.7	248
8.6	10.7	12.2	14.2	16.2	18.7	20.7	23.2	27.2	30.7	33.2	35.7	38.2	41.2	45.7	49.2	249
8.1	10.2	11.7	13.7	15.7	18.2	20.2	22.7	26.7	30.3	32.8	35.3	37.8	40.8	45.3	48.8	250
■	0.80	0.83	0.85	0.87	0.89	0.91	0.92	0.94	0.97	1.00	1.01	1.03	1.04	1.05	1.07	1.09 ■

▲ Not all available belt lengths are shown.

■ Combined Arc-Length correction factors for 5 preceding lines.



# AP & AX Belts In B Sheaves

## Drive Selection Tables

LINE #	RATIO	STOCK SHEAVES			DRIVEN SPEEDS AND HORSEPOWER RATINGS PER BELT								
		Datum Diameter		Number Grooves	1160 RPM			1750 RPM			3500 RPM		
		DR	DN		Driven Speed	H.P. Ratings		Driven Speed	H.P. Ratings		Driven Speed	H.P. Ratings	
						AP	AX		AP	AX		AP	AX
251	1.88	3.60	7.00	1-6	616	2.68	2.93	929	3.67	4.07	1859	5.71	6.65
252	1.90	4.20	8.20	1-6	611	3.43	3.68	922	4.72	5.13	1843	7.35	8.39
253	1.90	6.20	12.00	1-8,10	611	5.81	6.09	921	7.99	8.47	1843	11.63	13.24
254	1.91	4.60	9.00	1-6	608	3.92	4.18	918	5.40	5.82	1835	8.36	9.48
255	1.92	5.40	10.60	1-8,10	604	4.88	5.14	911	6.72	7.17	1823	10.15	11.48
256	1.92	3.00	6.00	1-6	603	1.92	2.17	910	2.59	2.98	1820	3.94	4.80
257	1.93	3.20	6.40	1-6	602	2.18	2.43	908	2.96	3.34	1816	4.55	5.43
258	1.94	3.80	7.60	1-6	598	2.93	3.19	903	4.03	4.43	1806	6.28	7.25
259	1.96	6.00	12.00	1-8,10	592	5.58	5.86	893	7.68	8.15	1786	11.30	12.83
260	1.96	6.60	13.20	1-8,10	591	6.27	6.55	891	8.60	9.11	-	-	-
261	1.98	3.00	6.20	1-6	584	1.92	2.17	882	2.60	2.98	1764	3.94	4.81
262	1.99	3.20	6.60	1-6	584	2.18	2.43	881	2.96	3.35	1763	4.55	5.44
263	1.99	3.40	7.00	1-6	584	2.43	2.68	881	3.32	3.71	1762	5.15	6.05
264	1.99	4.00	8.20	1-6	583	3.19	3.44	880	4.38	4.78	1760	6.83	7.83
265	1.99	4.40	9.00	1-6	583	3.68	3.93	880	5.07	5.48	1759	7.87	8.95
266	1.99	5.20	10.60	1-8,10	583	4.64	4.91	879	6.40	6.84	1758	9.74	11.01
267	2.02	6.40	13.20	1-8,10	574	6.04	6.32	865	8.30	8.79	-	-	-
268	2.02	5.80	12.00	1-8,10	573	5.35	5.62	864	7.37	7.83	1729	10.94	12.40
269	2.04	3.60	7.60	1-6	569	2.69	2.94	858	3.68	4.07	1717	5.73	6.66
270	2.05	3.00	6.40	1-6	567	1.92	2.17	855	2.60	2.98	1711	3.95	4.81
271	2.07	5.00	10.60	1-8,10	561	4.41	4.67	847	6.08	6.51	1694	9.31	10.52
272	2.08	4.20	9.00	1-6	558	3.44	3.69	842	4.73	5.14	1684	7.37	8.40
273	2.09	6.20	13.20	1-8,10	556	5.82	6.09	839	8.00	8.48	1678	11.65	13.25
274	2.09	3.80	8.20	1-6	556	2.94	3.19	839	4.03	4.43	1678	6.29	7.26
275	2.09	5.60	12.00	1-8,10	554	5.12	5.39	836	7.05	7.51	1671	10.57	11.96
276	2.10	3.20	7.00	1-6	552	2.18	2.43	833	2.97	3.35	1666	4.56	5.44
277	2.10	7.00	15.00	1-8,10	551	6.73	7.02	832	9.20	9.73	-	-	-
278	2.11	3.00	6.60	1-6	550	1.93	2.17	830	2.60	2.98	1661	3.96	4.81
279	2.15	4.80	10.60	1-6	540	4.17	4.43	815	5.75	6.17	1629	8.86	10.02
280	2.15	3.40	7.60	1-6	539	2.44	2.69	814	3.33	3.72	1627	5.16	6.06
281	2.15	6.00	13.20	1-8,10	539	5.59	5.86	813	7.69	8.16	1626	11.31	12.84
282	2.17	5.40	12.00	1-8,10	535	4.89	5.15	807	6.74	7.18	1614	10.18	11.50
283	2.18	4.00	9.00	1-6	533	3.19	3.44	804	4.39	4.79	1608	6.85	7.84
284	2.19	7.00	15.60	1-8,10	531	6.73	7.02	800	9.20	9.73	-	-	-
285	2.19	3.60	8.20	1-6	529	2.69	2.94	797	3.69	4.08	1595	5.74	6.67
286	2.22	5.80	13.20	1-8,10	522	5.36	5.63	787	7.38	7.84	1574	10.96	12.41
287	2.23	6.60	15.00	1-8,10	521	6.28	6.56	786	8.61	9.11	-	-	-
288	2.23	3.00	7.00	1-6	520	1.93	2.17	784	2.61	2.99	1569	3.96	4.82
289	2.24	4.60	10.60	1-6	519	3.93	4.18	782	5.42	5.83	1565	8.39	9.50
290	2.25	5.20	12.00	1-8,10	516	4.65	4.91	779	6.41	6.85	1557	9.76	11.03
291	2.28	3.20	7.60	1-6	510	2.19	2.43	769	2.97	3.36	1538	4.58	5.45
292	2.28	3.80	9.00	1-6	508	2.94	3.19	766	4.04	4.44	1532	6.31	7.27
293	2.29	6.40	15.00	1-8,10	506	6.05	6.33	763	8.31	8.80	-	-	-
294	2.30	5.60	13.20	1-8,10	505	5.12	5.39	761	7.06	7.51	1522	10.58	11.97
295	2.31	6.60	15.60	1-8,10	501	6.28	6.56	756	8.61	9.12	-	-	-
296	2.32	3.40	8.20	1-6	501	2.44	2.69	756	3.33	3.72	1512	5.17	6.07
297	2.33	4.40	10.60	1-6	497	3.69	3.94	750	5.08	5.49	1500	7.90	8.97
298	2.33	5.00	12.00	1-8,10	497	4.41	4.67	750	6.09	6.52	1500	9.33	10.54
299	2.36	6.20	15.00	1-8,10	491	5.82	6.10	740	8.00	8.49	1480	11.66	13.26
300	2.38	5.40	13.20	1-8,10	487	4.89	5.15	735	6.74	7.18	1470	10.19	11.51

Shaded area diameters are below industry standard for belt.



# AP & AX Belts In B Sheaves

## Drive Selection Tables

CENTER DISTANCE AND COMBINED ARC-LENGTH CORRECTION FACTOR ▲																LINE #
A31	A35	A38	A42	A46	A51	A55	A60	A68	A75	A80	A85	A90	A96	A105	A112	
7.6	9.7	11.2	13.2	15.2	17.7	19.8	22.3	26.3	29.8	32.3	34.8	37.3	40.3	44.8	48.3	251
-	8.2	9.7	11.7	13.8	16.3	18.3	20.8	24.8	28.3	30.8	33.4	35.9	38.9	43.4	46.9	252
-	-	-	-	-	11.5	13.5	16.1	20.1	23.7	26.2	28.7	31.2	34.2	38.7	42.3	253
-	-	8.7	10.7	12.8	15.3	17.3	19.8	23.9	27.4	29.9	32.4	34.9	37.9	42.4	45.9	254
-	-	-	-	10.8	13.3	15.4	17.9	21.9	25.5	28.0	30.5	33.0	36.0	40.5	44.0	255
■ 0.79	0.81	0.83	0.86	0.88	0.90	0.92	0.94	0.97	0.99	1.01	1.02	1.04	1.05	1.07	1.08	■
9.0	11.0	12.5	14.5	16.5	19.0	21.0	23.5	27.5	31.0	33.5	36.1	38.6	41.6	46.1	49.6	256
8.5	10.5	12.0	14.0	16.0	18.5	20.5	23.1	27.1	30.6	33.1	35.6	38.1	41.1	45.6	49.1	257
-	9.0	10.5	12.6	14.6	17.1	19.1	21.6	25.6	29.1	31.6	34.1	36.6	39.7	44.2	47.7	258
-	-	-	-	-	11.6	13.7	16.2	20.3	23.8	26.3	28.9	31.4	34.4	38.9	42.4	259
-	-	-	-	-	-	12.2	14.7	18.8	22.4	24.9	27.4	29.9	32.9	37.5	41.0	260
■ 0.80	0.82	0.84	0.87	0.89	0.90	0.91	0.94	0.97	0.99	1.01	1.02	1.04	1.05	1.07	1.08	■
8.8	10.8	12.3	14.3	16.3	18.9	20.9	23.4	27.4	30.9	33.4	35.9	38.4	41.4	45.9	49.4	261
8.3	10.3	11.8	13.8	15.9	18.4	20.4	22.9	26.9	30.4	32.9	35.4	37.9	40.9	45.4	48.9	262
7.8	9.8	11.3	13.4	15.4	17.9	19.9	22.4	26.4	29.9	32.4	34.9	37.4	40.4	44.9	48.4	263
-	8.3	9.8	11.9	13.9	16.4	18.4	21.0	25.0	28.5	31.0	33.5	36.0	39.0	43.5	47.0	264
-	-	8.8	10.9	12.9	15.5	17.5	20.0	24.0	27.5	30.0	32.5	35.1	38.1	42.6	46.1	265
■ 0.79	0.82	0.83	0.86	0.89	0.91	0.93	0.95	0.98	1.00	1.01	1.03	1.04	1.05	1.07	1.09	■
-	-	-	-	10.9	13.5	15.5	18.0	22.1	25.6	28.1	30.6	33.1	36.1	40.7	44.2	266
-	-	-	-	-	-	12.3	14.9	19.0	22.5	25.0	27.5	30.1	33.1	37.6	41.1	267
-	-	-	-	-	11.8	13.8	16.4	20.4	24.0	26.5	29.0	31.5	34.5	39.0	42.6	268
-	9.1	10.7	12.7	14.7	17.2	19.2	21.8	25.8	29.3	31.8	34.3	36.8	39.8	44.3	47.8	269
8.6	10.6	12.1	14.2	16.2	18.7	20.7	23.2	27.2	30.7	33.2	35.7	38.2	41.2	45.7	49.2	270
■ 0.79	0.82	0.84	0.87	0.88	0.89	0.91	0.93	0.97	0.99	1.00	1.02	1.03	1.05	1.07	1.08	■
-	-	-	-	11.0	13.6	15.6	18.2	22.2	25.7	28.3	30.8	33.3	36.3	40.8	44.3	271
-	-	9.0	11.0	13.1	15.6	17.6	20.1	24.2	27.7	30.2	32.7	35.2	38.2	42.7	46.2	272
-	-	-	-	-	-	12.4	15.0	19.1	22.6	25.2	27.7	30.2	33.2	37.8	41.3	273
-	8.4	10.0	12.0	14.1	16.6	18.6	21.1	25.1	28.6	31.1	33.7	36.2	39.2	43.7	47.2	274
-	-	-	-	-	11.9	14.0	16.5	20.6	24.1	26.6	29.2	31.7	34.7	39.2	42.7	275
■ 0.00	0.80	0.82	0.85	0.87	0.89	0.90	0.93	0.96	0.99	1.00	1.02	1.03	1.05	1.07	1.08	■
7.9	10.0	11.5	13.5	15.5	18.0	20.0	22.6	26.6	30.1	32.6	35.1	37.6	40.6	45.1	48.6	276
-	-	-	-	-	-	-	-	16.9	20.5	23.0	25.6	28.1	31.1	35.6	39.2	277
8.4	10.5	12.0	14.0	16.0	18.5	20.5	23.0	27.1	30.6	33.1	35.6	38.1	41.1	45.6	49.1	278
-	-	-	-	11.2	13.7	15.8	18.3	22.4	25.9	28.4	30.9	33.4	36.4	41.0	44.5	279
-	9.3	10.8	12.8	14.9	17.4	19.4	21.9	25.9	29.4	31.9	34.4	37.0	40.0	44.5	48.0	280
■ 0.78	0.82	0.84	0.86	0.88	0.90	0.92	0.94	0.97	0.99	1.01	1.02	1.03	1.05	1.07	1.08	■
-	-	-	-	-	-	12.6	15.1	19.2	22.8	25.3	27.8	30.4	33.4	37.9	41.4	281
-	-	-	-	-	12.0	14.1	16.7	20.7	24.3	26.8	29.3	31.8	34.8	39.3	42.9	282
-	-	9.1	11.2	13.2	15.7	17.8	20.3	24.3	27.8	30.3	32.8	35.4	38.4	42.9	46.4	283
-	-	-	-	-	-	-	-	16.3	19.9	22.5	25.0	27.6	30.6	35.1	38.7	284
-	8.6	10.1	12.2	14.2	16.7	18.7	21.3	25.3	28.8	31.3	33.8	36.3	39.3	43.8	47.3	285
■ 0.00	0.79	0.81	0.85	0.87	0.89	0.90	0.93	0.95	0.98	1.00	1.01	1.03	1.04	1.06	1.08	■
-	-	-	-	-	-	12.7	15.3	19.4	22.9	25.5	28.0	30.5	33.5	38.0	41.6	286
-	-	-	-	-	-	-	13.0	17.2	20.8	23.3	25.8	28.4	31.4	35.9	39.5	287
8.0	10.1	11.6	13.6	15.7	18.2	20.2	22.7	26.7	30.2	32.7	35.2	37.7	40.7	45.3	48.8	288
-	-	-	-	11.3	13.9	15.9	18.5	22.5	26.0	28.6	31.1	33.6	36.6	41.1	44.6	289
-	-	-	-	-	12.2	14.2	16.8	20.9	24.4	26.9	29.4	32.0	35.0	39.5	43.0	290
■ 0.78	0.81	0.84	0.86	0.87	0.88	0.90	0.91	0.95	0.98	1.00	1.01	1.03	1.04	1.06	1.08	■
7.3	9.4	10.9	13.0	15.0	17.5	19.5	22.1	26.1	29.6	32.1	34.6	37.1	40.1	44.6	48.1	291
-	-	9.2	11.3	13.3	15.9	17.9	20.4	24.5	28.0	30.5	33.0	35.5	38.5	43.0	46.5	292
-	-	-	-	-	-	-	13.1	17.3	20.9	23.4	26.0	28.5	31.5	36.1	39.6	293
-	-	-	-	-	-	12.8	15.4	19.5	23.1	25.6	28.1	30.6	33.7	38.2	41.7	294
-	-	-	-	-	-	-	-	16.6	20.2	22.8	25.3	27.9	30.9	35.4	39.0	295
■ 0.76	0.80	0.82	0.85	0.87	0.90	0.90	0.91	0.95	0.97	0.99	1.01	1.02	1.04	1.06	1.07	■
-	8.7	10.3	12.3	14.3	16.9	18.9	21.4	25.4	28.9	31.4	34.0	36.5	39.5	44.0	47.5	296
-	-	-	9.4	11.4	14.0	16.1	18.6	22.7	26.2	28.7	31.2	33.7	36.7	41.3	44.8	297
-	-	-	-	-	12.3	14.4	16.9	21.0	24.5	27.1	29.6	32.1	35.1	39.6	43.2	298
-	-	-	-	-	-	-	13.3	17.4	21.0	23.6	26.1	28.7	31.7	36.2	39.8	299
-	-	-	-	-	-	13.0	15.6	19.7	23.2	25.7	28.3	30.8	33.8	38.3	41.9	300
■ 0.00	0.79	0.82	0.83	0.86	0.88	0.89	0.91	0.95	0.98	0.99	1.01	1.02	1.04	1.06	1.08	■

▲ Not all available belt lengths are shown.

■ Combined Arc-Length correction factors for 5 preceding lines.

# AP & AX Belts In B Sheaves

## Drive Selection Tables

LINE #	RATIO	STOCK SHEAVES			DRIVEN SPEEDS AND HORSEPOWER RATINGS PER BELT								
		Datum Diameter		Number Grooves	1160 RPM			1750 RPM			3500 RPM		
		DR	DN		Driven Speed	H.P. Ratings		Driven Speed	H.P. Ratings		Driven Speed	H.P. Ratings	
						AP	AX		AP	AX		AP	AX
301	2.38	6.40	15.60	1-8,10	487	6.05	6.33	734	8.31	8.80	-	-	-
302	2.40	3.60	9.00	1-6	483	2.70	2.94	728	3.69	4.08	1457	5.75	6.68
303	2.42	3.00	7.60	1-6	480	1.93	2.18	725	2.61	2.99	1449	3.97	4.83
304	2.43	4.80	12.00	1-6	478	4.17	4.43	721	5.76	6.18	1443	8.87	10.03
305	2.44	4.20	10.60	1-6	476	3.44	3.69	718	4.74	5.14	1435	7.39	8.42
306	2.44	6.00	15.00	1-8,10	475	5.59	5.86	717	7.70	8.17	1434	11.33	12.85
307	2.45	3.20	8.20	1-6	474	2.19	2.43	714	2.98	3.36	1429	4.58	5.46
308	2.46	6.20	15.60	1-8,10	472	5.82	6.10	712	8.01	8.49	1424	11.67	13.27
309	2.47	5.20	13.20	1-8,10	470	4.65	4.91	709	6.42	6.85	1418	9.77	11.03
310	2.52	7.00	18.00	1-8,10	461	6.73	7.02	695	9.21	9.74	-	-	-
311	2.52	5.80	15.00	1-8,10	460	5.36	5.63	694	7.38	7.84	1389	10.97	12.42
312	2.53	4.60	12.00	1-6	459	3.93	4.19	693	5.42	5.84	1386	8.40	9.51
313	2.53	3.40	9.00	1-6	458	2.44	2.69	691	3.34	3.72	1381	5.18	6.08
314	2.54	6.00	15.60	1-8,10	457	5.59	5.87	690	7.70	8.17	1380	11.33	12.85
315	2.55	4.00	10.60	1-6	454	3.20	3.45	685	4.40	4.79	1371	6.86	7.85
316	2.56	5.00	13.20	1-8,10	453	4.42	4.67	683	6.09	6.52	1366	9.34	10.54
317	2.60	3.00	8.20	1-6	446	1.93	2.18	673	2.61	2.99	1346	3.98	4.83
318	2.61	5.60	15.00	1-8,10	445	5.13	5.39	671	7.07	7.52	1343	10.60	11.98
319	2.62	5.80	15.60	1-8,10	443	5.36	5.63	668	7.38	7.84	1336	10.98	12.43
320	2.63	4.40	12.00	1-6	440	3.69	3.94	664	5.09	5.49	1329	7.91	8.97
321	2.66	4.80	13.20	1-6	436	4.18	4.43	657	5.76	6.18	1314	8.88	10.04
322	2.66	6.60	18.00	1-8,10	435	6.28	6.56	657	8.62	9.12	-	-	-
323	2.68	3.80	10.60	1-6	433	2.95	3.20	653	4.05	4.44	1306	6.32	7.28
324	2.68	3.20	9.00	1-6	433	2.19	2.44	653	2.98	3.36	1305	4.59	5.46
325	2.70	5.40	15.00	1-8,10	430	4.89	5.16	648	6.75	7.19	1297	10.20	11.52
326	2.71	5.60	15.60	1-8,10	428	5.13	5.39	646	7.07	7.52	1292	10.60	11.98
327	2.74	7.00	19.60	1-8,10	424	6.73	7.02	639	9.22	9.74	-	-	-
328	2.74	6.40	18.00	1-8,10	423	6.06	6.33	638	8.32	8.81	-	-	-
329	2.75	4.20	12.00	1-6	421	3.45	3.70	636	4.75	5.15	1271	7.40	8.42
330	2.77	4.60	13.20	1-6	418	3.93	4.19	631	5.43	5.84	1262	8.41	9.51
331	2.80	5.20	15.00	1-8,10	415	4.66	4.92	625	6.42	6.86	1251	9.78	11.04
332	2.81	5.40	15.60	1-8,10	414	4.89	5.16	624	6.75	7.19	1248	10.20	11.52
333	2.82	3.60	10.60	1-6	412	2.70	2.95	621	3.70	4.09	1242	5.77	6.69
334	2.83	6.20	18.00	1-8,10	410	5.83	6.10	618	8.01	8.49	1237	11.68	13.27
335	2.85	3.00	9.00	1-6	408	1.94	2.18	615	2.62	3.00	1230	3.99	4.84
336	2.88	4.00	12.00	1-6	402	3.20	3.45	607	4.40	4.80	1214	6.87	7.86
337	2.89	4.40	13.20	1-6	401	3.69	3.94	605	5.09	5.50	1210	7.91	8.98
338	2.90	6.60	19.60	1-8,10	400	6.28	6.57	604	8.62	9.12	-	-	-
339	2.90	5.00	15.00	1-8,10	399	4.42	4.68	602	6.10	6.52	1205	9.34	10.55
340	2.91	5.20	15.60	1-8,10	399	4.66	4.92	602	6.42	6.86	1203	9.78	11.04
341	2.92	6.00	18.00	1-8,10	397	5.60	5.87	599	7.70	8.17	1199	11.34	12.86
342	2.97	3.40	10.60	1-6	390	2.45	2.69	589	3.34	3.73	1177	5.19	6.09
343	2.98	6.40	19.60	1-8,10	389	6.06	6.33	586	8.32	8.81	-	-	-
344	3.02	5.80	18.00	1-8,10	385	5.36	5.63	580	7.39	7.85	1160	10.99	12.43
345	3.02	5.00	15.60	1-8,10	384	4.42	4.68	580	6.10	6.52	1159	9.35	10.55
346	3.02	4.80	15.00	1-6	384	4.18	4.43	580	5.76	6.18	1159	8.89	10.04
347	3.02	4.20	13.20	1-6	384	3.45	3.70	579	4.75	5.15	1158	7.41	8.43
348	3.02	3.80	12.00	1-6	384	2.95	3.20	579	4.05	4.44	1157	6.33	7.28
349	3.08	6.20	19.60	1-8,10	377	5.83	6.10	569	8.01	8.49	1137	11.68	13.28
350	3.12	5.60	18.00	1-8,10	372	5.13	5.40	561	7.07	7.52	1122	10.61	11.99

Shaded area diameters are below industry standard for belt.

# AP & AX Belts In B Sheaves

## Drive Selection Tables

CENTER DISTANCE AND COMBINED ARC-LENGTH CORRECTION FACTOR ▲															LINE #	
A31	A35	A38	A42	A46	A51	A55	A60	A68	A75	A80	A85	A90	A96	A105	A112	
-	-	-	-	-	-	-	-	16.7	20.4	22.9	25.5	28.0	31.0	35.6	39.1	301
-	-	9.4	11.4	13.5	16.0	18.1	20.6	24.6	28.1	30.6	33.1	35.7	38.7	43.2	46.7	302
7.5	9.5	11.1	13.1	15.2	17.7	19.7	22.2	26.2	29.7	32.2	34.7	37.3	40.3	44.8	48.3	303
-	-	-	-	-	12.4	14.5	17.1	21.1	24.7	27.2	29.7	32.3	35.3	39.8	43.3	304
-	-	-	9.5	11.6	14.2	16.2	18.8	22.8	26.3	28.8	31.4	33.9	36.9	41.4	44.9	305
■	<b>0.76</b>	<b>0.80</b>	<b>0.82</b>	<b>0.83</b>	<b>0.86</b>	<b>0.88</b>	<b>0.91</b>	<b>0.93</b>	<b>0.95</b>	<b>0.98</b>	<b>1.00</b>	<b>1.01</b>	<b>1.03</b>	<b>1.04</b>	<b>1.06</b>	<b>1.08</b> ■
-	-	-	-	-	-	-	13.4	17.6	21.2	23.7	26.3	28.8	31.8	36.4	39.9	306
-	8.8	10.4	12.4	14.5	17.0	19.0	21.6	25.6	29.1	31.6	34.1	36.6	39.6	44.1	47.6	307
-	-	-	-	-	-	-	12.7	16.9	20.5	23.0	25.6	28.1	31.2	35.7	39.2	308
-	-	-	-	-	11.0	13.1	15.7	19.8	23.4	25.9	28.4	30.9	34.0	38.5	42.0	309
-	-	-	-	-	-	-	-	-	17.7	20.3	22.9	25.4	28.5	33.1	36.6	310
■	<b>0.00</b>	<b>0.79</b>	<b>0.82</b>	<b>0.85</b>	<b>0.87</b>	<b>0.89</b>	<b>0.89</b>	<b>0.94</b>	<b>0.96</b>	<b>0.98</b>	<b>1.00</b>	<b>1.01</b>	<b>1.03</b>	<b>1.05</b>	<b>1.07</b> ■	
-	-	-	-	-	-	-	13.5	17.7	21.3	23.9	26.4	28.9	32.0	36.5	40.0	311
-	-	-	-	-	12.6	14.6	17.2	21.3	24.8	27.4	29.9	32.4	35.4	39.9	43.5	312
-	-	9.5	11.6	13.6	16.2	18.2	20.7	24.8	28.3	30.8	33.3	35.8	38.8	43.3	46.8	313
-	-	-	-	-	-	-	12.8	17.0	20.6	23.2	25.7	28.3	31.3	35.9	39.4	314
-	-	-	9.6	11.7	14.3	16.4	18.9	22.9	26.5	29.0	31.5	34.0	37.0	41.6	45.1	315
■	<b>0.00</b>	<b>0.00</b>	<b>0.80</b>	<b>0.82</b>	<b>0.85</b>	<b>0.88</b>	<b>0.90</b>	<b>0.90</b>	<b>0.94</b>	<b>0.97</b>	<b>0.99</b>	<b>1.00</b>	<b>1.02</b>	<b>1.04</b>	<b>1.06</b>	<b>1.07</b> ■
-	-	-	-	-	11.1	13.2	15.8	19.9	23.5	26.0	28.6	31.1	34.1	38.6	42.2	316
-	9.0	10.5	12.6	14.6	17.2	19.2	21.7	25.7	29.2	31.7	34.3	36.8	39.8	44.3	47.8	317
-	-	-	-	-	-	-	13.7	17.9	21.5	24.0	26.6	29.1	32.1	36.7	40.2	318
-	-	-	-	-	-	-	12.9	17.1	20.8	23.3	25.9	28.4	31.5	36.0	39.5	319
-	-	-	-	10.1	12.7	14.8	17.4	21.4	25.0	27.5	30.0	32.5	35.6	40.1	43.6	320
■	<b>0.00</b>	<b>0.79</b>	<b>0.82</b>	<b>0.85</b>	<b>0.84</b>	<b>0.86</b>	<b>0.89</b>	<b>0.89</b>	<b>0.94</b>	<b>0.97</b>	<b>0.99</b>	<b>1.00</b>	<b>1.02</b>	<b>1.03</b>	<b>1.06</b>	<b>1.07</b> ■
-	-	-	-	-	11.2	13.4	16.0	20.1	23.6	26.2	28.7	31.2	34.3	38.8	42.3	321
-	-	-	-	-	-	-	14.2	17.9	20.5	23.1	25.7	28.8	33.3	36.9	40.5	322
-	-	-	9.7	11.9	14.4	16.5	19.0	23.1	26.6	29.1	31.7	34.2	37.2	41.7	45.2	323
-	8.0	9.6	11.7	13.8	16.3	18.3	20.9	24.9	28.4	30.9	33.4	36.0	39.0	43.5	47.0	324
-	-	-	-	-	-	-	13.8	18.0	21.6	24.2	26.7	29.2	32.3	36.8	40.3	325
■	<b>0.00</b>	<b>0.76</b>	<b>0.80</b>	<b>0.82</b>	<b>0.85</b>	<b>0.86</b>	<b>0.89</b>	<b>0.91</b>	<b>0.93</b>	<b>0.96</b>	<b>0.98</b>	<b>1.00</b>	<b>1.01</b>	<b>1.03</b>	<b>1.05</b>	<b>1.07</b> ■
-	-	-	-	-	-	-	13.0	17.3	20.9	23.5	26.0	28.6	31.6	36.2	39.7	326
-	-	-	-	-	-	-	-	-	16.0	18.7	21.3	23.9	27.0	31.6	35.2	327
-	-	-	-	-	-	-	-	14.3	18.1	20.7	23.3	25.8	28.9	33.5	37.0	328
-	-	-	-	10.2	12.8	14.9	17.5	21.6	25.1	27.7	30.2	32.7	35.7	40.2	43.8	329
-	-	-	-	-	11.4	13.5	16.1	20.2	23.8	26.3	28.8	31.4	34.4	38.9	42.5	330
■	<b>0.00</b>	<b>0.00</b>	<b>0.00</b>	<b>0.00</b>	<b>0.80</b>	<b>0.84</b>	<b>0.87</b>	<b>0.89</b>	<b>0.91</b>	<b>0.94</b>	<b>0.96</b>	<b>0.98</b>	<b>1.00</b>	<b>1.02</b>	<b>1.04</b>	<b>1.06</b> ■
-	-	-	-	-	-	-	13.9	18.1	21.7	24.3	26.8	29.4	32.4	37.0	40.5	331
-	-	-	-	-	-	-	13.2	17.4	21.0	23.6	26.2	28.7	31.7	36.3	39.8	332
-	-	-	9.9	12.0	14.6	16.6	19.2	23.2	26.8	29.3	31.8	34.3	37.3	41.9	45.4	333
-	-	-	-	-	-	-	-	14.4	18.2	20.8	23.4	26.0	29.0	33.6	37.2	334
-	8.2	9.8	11.8	13.9	16.5	18.5	21.0	25.0	28.6	31.1	33.6	36.1	39.1	43.6	47.1	335
■	<b>0.00</b>	<b>0.76</b>	<b>0.80</b>	<b>0.82</b>	<b>0.85</b>	<b>0.88</b>	<b>0.90</b>	<b>0.89</b>	<b>0.92</b>	<b>0.96</b>	<b>0.98</b>	<b>0.99</b>	<b>1.01</b>	<b>1.03</b>	<b>1.05</b>	<b>1.07</b> ■
-	-	-	-	10.3	13.0	15.1	17.6	21.7	25.3	27.8	30.3	32.8	35.9	40.4	43.9	336
-	-	-	-	-	11.5	13.6	16.2	20.4	23.9	26.5	29.0	31.5	34.5	39.1	42.6	337
-	-	-	-	-	-	-	-	16.3	19.0	21.6	24.2	27.3	31.9	35.5	38.8	338
-	-	-	-	-	-	-	14.1	18.3	21.9	24.4	27.0	29.5	32.6	37.1	40.6	339
-	-	-	-	-	-	-	13.3	17.5	21.2	23.7	26.3	28.8	31.9	36.4	40.0	340
■	<b>0.00</b>	<b>0.00</b>	<b>0.00</b>	<b>0.00</b>	<b>0.80</b>	<b>0.84</b>	<b>0.87</b>	<b>0.88</b>	<b>0.93</b>	<b>0.94</b>	<b>0.97</b>	<b>0.98</b>	<b>1.00</b>	<b>1.02</b>	<b>1.04</b>	<b>1.06</b> ■
-	-	-	10.0	12.1	14.7	16.8	19.3	23.4	26.9	29.4	32.0	34.5	37.5	42.0	45.5	341
-	-	-	-	-	-	-	-	-	16.4	19.1	21.7	24.3	27.4	32.1	35.6	343
-	-	-	-	-	-	-	-	14.7	18.4	21.1	23.7	26.2	29.3	33.9	37.5	344
-	-	-	-	-	-	-	13.4	17.7	21.3	23.9	26.4	29.0	32.0	36.6	40.1	345
■	<b>0.00</b>	<b>0.00</b>	<b>0.00</b>	<b>0.80</b>	<b>0.84</b>	<b>0.87</b>	<b>0.90</b>	<b>0.88</b>	<b>0.90</b>	<b>0.93</b>	<b>0.95</b>	<b>0.97</b>	<b>0.99</b>	<b>1.01</b>	<b>1.04</b>	<b>1.06</b> ■
-	-	-	-	-	-	-	14.2	18.4	22.0	24.6	27.1	29.7	32.7	37.2	40.8	346
-	-	-	-	-	11.6	13.7	16.4	20.5	24.1	26.6	29.1	31.7	34.7	39.2	42.7	347
-	-	-	-	10.4	13.1	15.2	17.8	21.9	25.4	27.9	30.5	33.0	36.0	40.5	44.0	348
-	-	-	-	-	-	-	-	-	16.5	19.2	21.9	24.5	27.6	32.2	35.8	349
-	-	-	-	-	-	-	-	14.8	18.6	21.2	23.8	26.4	29.5	34.1	37.6	350
■	<b>0.00</b>	<b>0.00</b>	<b>0.00</b>	<b>0.00</b>	<b>0.80</b>	<b>0.84</b>	<b>0.87</b>	<b>0.89</b>	<b>0.91</b>	<b>0.94</b>	<b>0.96</b>	<b>0.98</b>	<b>1.00</b>	<b>1.02</b>	<b>1.04</b>	<b>1.06</b> ■

▲ Not all available belt lengths are shown.

■ Combined Arc-Length correction factors for 5 preceding lines.

# AP & AX Belts In B Sheaves

## Drive Selection Tables

LINE #	RATIO	STOCK SHEAVES			DRIVEN SPEEDS AND HORSEPOWER RATINGS PER BELT								
		Datum Diameter		Number Grooves	1160 RPM			1750 RPM			3500 RPM		
		DR	DN		Driven Speed	H.P. Ratings		Driven Speed	H.P. Ratings		Driven Speed	H.P. Ratings	
						AP	AX		AP	AX		AP	AX
351	3.14	4.80	15.60	1-6	370	4.18	4.43	558	5.77	6.18	1115	8.89	10.04
352	3.14	4.60	15.00	1-6	369	3.94	4.19	557	5.43	5.84	1113	8.41	9.52
353	3.14	3.20	10.60	1-6	369	2.19	2.44	556	2.98	3.36	1113	4.60	5.47
354	3.16	4.00	13.20	1-6	367	3.20	3.45	553	4.40	4.80	1106	6.88	7.86
355	3.18	6.00	19.60	1-8,10	365	5.60	5.87	551	7.70	8.17	1102	11.35	12.86
356	3.18	3.60	12.00	1-6	365	2.70	2.95	550	3.70	4.09	1100	5.77	6.69
357	3.23	5.40	18.00	1-8,10	359	4.90	5.16	542	6.75	7.19	1084	10.21	11.52
358	3.27	4.60	15.60	1-6	355	3.94	4.19	535	5.43	5.84	1071	8.42	9.52
359	3.28	4.40	15.00	1-6	354	3.69	3.95	534	5.09	5.50	1067	7.92	8.98
360	3.28	5.80	19.60	1-8,10	354	5.37	5.63	533	7.39	7.85	1067	10.99	12.43
361	3.32	3.80	13.20	1-6	349	2.95	3.20	527	4.05	4.45	1054	6.33	7.29
362	3.34	3.00	10.60	1-6	347	1.94	2.18	524	2.62	3.00	1048	4.00	4.84
363	3.35	5.20	18.00	1-8,10	346	4.66	4.92	523	6.43	6.86	1045	9.79	11.05
364	3.36	3.40	12.00	1-6	346	2.45	2.69	521	3.35	3.73	1043	5.20	6.09
365	3.39	5.60	19.60	1-8,10	342	5.13	5.40	516	7.07	7.52	1031	10.61	11.99
366	3.41	4.40	15.60	1-6	340	3.69	3.95	513	5.09	5.50	1027	7.92	8.98
367	3.43	4.20	15.00	1-6	338	3.45	3.70	511	4.75	5.15	1021	7.41	8.43
368	3.43	7.00	24.60	2-8,10	338	6.74	7.03	511	9.22	9.74	-	-	-
369	3.48	5.00	18.00	1-8,10	334	4.42	4.68	503	6.10	6.52	1007	9.35	10.55
370	3.49	3.60	13.20	1-6	332	2.70	2.95	501	3.70	4.09	1002	5.78	6.70
371	3.51	5.40	19.60	1-8,10	330	4.90	5.16	498	6.75	7.19	996	10.21	11.53
372	3.55	3.20	12.00	1-6	327	2.20	2.44	493	2.99	3.37	986	4.61	5.47
373	3.56	4.20	15.60	1-6	326	3.45	3.70	491	4.75	5.15	983	7.41	8.43
374	3.59	4.00	15.00	1-6	323	3.20	3.45	488	4.41	4.80	975	6.88	7.87
375	3.61	4.80	18.00	1-6	321	4.18	4.44	484	5.77	6.19	968	8.90	10.05
376	3.63	6.60	24.60	2-8,10	320	6.29	6.57	482	8.63	9.13	-	-	-
377	3.64	5.20	19.60	1-8,10	318	4.66	4.92	480	6.43	6.86	961	9.79	11.05
378	3.68	3.40	13.20	1-6	315	2.45	2.69	475	3.35	3.73	950	5.20	6.09
379	3.73	4.00	15.60	1-6	311	3.20	3.45	469	4.41	4.80	938	6.88	7.87
380	3.74	6.40	24.60	2-8,10	310	6.06	6.34	468	8.32	8.81	-	-	-
381	3.76	4.60	18.00	1-6	308	3.94	4.19	465	5.43	5.84	930	8.42	9.52
382	3.77	3.80	15.00	1-6	308	2.95	3.20	465	4.06	4.45	930	6.34	7.29
383	3.77	3.00	12.00	1-6	308	1.94	2.18	464	2.62	3.00	929	4.00	4.84
384	3.78	5.00	19.60	1-8,10	307	4.42	4.68	463	6.10	6.53	926	9.35	10.56
385	3.85	6.20	24.60	2-8,10	301	5.83	6.10	454	8.02	8.49	908	11.69	13.28
386	3.90	3.20	13.20	1-6	298	2.20	2.44	449	2.99	3.37	898	4.61	5.47
387	3.91	3.80	15.60	1-6	296	2.95	3.20	447	4.06	4.45	894	6.34	7.29
388	3.92	4.40	18.00	1-6	296	3.70	3.95	446	5.10	5.50	892	7.93	8.99
389	3.93	4.80	19.60	1-6	295	4.18	4.44	445	5.77	6.19	890	8.90	10.05
390	3.96	3.60	15.00	1-6	293	2.70	2.95	442	3.70	4.09	884	5.78	6.70
391	3.98	6.00	24.60	2-8,10	292	5.60	5.87	440	7.71	8.17	880	11.36	12.87
392	4.09	4.60	19.60	1-6	283	3.94	4.19	428	5.43	5.85	855	8.42	9.52
393	4.10	4.20	18.00	1-6	283	3.45	3.70	427	4.75	5.15	853	7.42	8.43
394	4.11	5.80	24.60	2-8,10	282	5.37	5.63	426	7.39	7.85	852	11.00	12.44
395	4.12	3.60	15.60	1-6	282	2.70	2.95	425	3.70	4.09	850	5.78	6.70
396	4.12	7.00	29.60	2-8,10	282	6.74	7.03	425	9.22	9.75	-	-	-
397	4.14	3.00	13.20	1-6	280	1.94	2.18	423	2.62	3.00	846	4.00	4.85
398	4.18	3.40	15.00	1-6	278	2.45	2.70	419	3.35	3.73	838	5.20	6.09
399	4.25	5.60	24.60	2-8,10	273	5.13	5.40	412	7.08	7.52	824	10.62	11.99
400	4.27	4.40	19.60	1-6	272	3.70	3.95	410	5.10	5.50	820	7.93	8.99

Shaded area diameters are below industry standard for belt.

# AP & AX Belts In B Sheaves

## Drive Selection Tables

CENTER DISTANCE AND COMBINED ARC-LENGTH CORRECTION FACTOR ▲																LINE #
A42	A46	A51	A55	A60	A68	A75	A80	A85	A90	A96	A105	A112	A120	A128	A136	
-	-	-	-	13.6	17.8	21.4	24.0	26.6	29.1	32.2	36.7	40.3	44.3	48.3	52.3	351
-	-	-	11.6	14.3	18.5	22.1	24.7	27.3	29.8	32.8	37.4	40.9	45.0	49.0	53.0	352
10.1	12.3	14.9	16.9	19.5	23.5	27.1	29.6	32.1	34.6	37.6	42.1	45.7	49.7	53.7	57.7	353
-	-	11.7	13.9	16.5	20.6	24.2	26.7	29.3	31.8	34.8	39.4	42.9	46.9	50.9	54.9	354
-	-	-	-	-	-	16.7	19.3	22.0	24.6	27.7	32.3	35.9	40.0	44.0	48.1	355
■ 0.80	0.83	0.84	0.85	0.88	0.93	0.94	0.96	0.98	1.00	1.02	1.04	1.06	1.08	1.09	1.11	■
-	10.6	13.2	15.3	17.9	22.0	25.6	28.1	30.6	33.1	36.2	40.7	44.2	48.2	52.2	56.2	356
-	-	-	-	14.9	18.7	21.3	23.9	26.5	29.6	34.2	37.7	41.8	45.8	49.9	53.9	357
-	-	-	-	13.7	17.9	21.6	24.2	26.7	29.3	32.3	36.9	40.4	44.4	48.5	52.5	358
-	-	-	11.7	14.4	18.7	22.3	24.8	27.4	29.9	33.0	37.5	41.1	45.1	49.1	53.1	359
-	-	-	-	-	-	16.8	19.5	22.1	24.7	27.8	32.5	36.0	40.1	44.2	48.2	360
■ 0.00	0.80	0.85	0.84	0.87	0.90	0.93	0.95	0.98	0.99	1.01	1.04	1.06	1.07	1.09	1.11	■
-	-	11.9	14.0	16.6	20.8	24.3	26.9	29.4	32.0	35.0	39.5	43.0	47.1	51.1	55.1	361
10.3	12.4	15.0	17.0	19.6	23.7	27.2	29.7	32.2	34.8	37.8	42.3	45.8	49.8	53.8	57.8	362
-	-	-	-	15.1	18.8	21.5	24.1	26.7	29.7	34.3	37.9	41.9	46.0	50.0	54.0	363
-	10.7	13.4	15.5	18.0	22.1	25.7	28.2	30.8	33.3	36.3	40.8	44.3	48.4	52.4	56.4	364
-	-	-	-	-	-	16.9	19.6	22.3	24.9	28.0	32.6	36.2	40.2	44.3	48.4	365
■ 0.79	0.81	0.84	0.87	0.90	0.92	0.94	0.96	0.98	1.00	1.02	1.04	1.06	1.08	1.09	1.11	■
-	-	-	-	13.8	18.1	21.7	24.3	26.9	29.4	32.5	37.0	40.6	44.6	48.6	52.6	366
-	-	-	11.8	14.6	18.8	22.4	25.0	27.5	30.1	33.1	37.7	41.2	45.2	49.3	53.3	367
-	-	-	-	-	-	-	-	18.8	22.1	26.9	30.6	34.7	38.8	42.9	46.9	368
-	-	-	-	15.2	19.0	21.6	24.2	26.8	29.9	34.5	38.0	42.1	46.1	50.2	54.2	369
-	-	12.0	14.1	16.8	20.9	24.5	27.0	29.6	32.1	35.1	39.7	43.2	47.2	51.2	55.2	370
■ 0.00	0.00	0.82	0.83	0.86	0.90	0.94	0.96	0.98	0.97	1.00	1.03	1.05	1.07	1.08	1.10	■
-	-	-	-	-	-	17.0	19.7	22.4	25.0	28.1	32.7	36.3	40.4	44.4	48.5	371
-	10.8	13.5	15.6	18.2	22.3	25.8	28.4	30.9	33.4	36.4	41.0	44.5	48.5	52.5	56.5	372
-	-	-	-	13.9	18.2	21.9	24.4	27.0	29.5	32.6	37.2	40.7	44.7	48.8	52.8	373
-	-	-	12.0	14.7	18.9	22.6	25.1	27.7	30.2	33.3	37.8	41.4	45.4	49.4	53.4	374
-	-	-	-	15.3	19.1	21.7	24.3	26.9	30.0	34.6	38.2	42.2	46.3	50.3	54.3	375
■ 0.00	0.80	0.84	0.84	0.87	0.90	0.93	0.95	0.97	0.99	1.01	1.04	1.05	1.07	1.09	1.10	■
-	-	-	-	-	-	-	-	-	19.0	22.3	27.2	30.8	35.0	39.1	43.2	376
-	-	-	-	-	-	17.2	19.9	22.5	25.1	28.3	32.9	36.5	40.5	44.6	48.6	377
-	-	12.1	14.3	16.9	21.0	24.6	27.2	29.7	32.2	35.3	39.8	43.3	47.4	51.4	55.4	378
-	-	-	-	14.1	18.3	22.0	24.6	27.1	29.7	32.7	37.3	40.8	44.9	48.9	52.9	379
-	-	-	-	-	-	-	-	-	19.1	22.5	27.3	31.0	35.1	39.2	43.3	380
■ 0.00	0.00	0.81	0.85	0.86	0.92	0.92	0.95	0.97	0.95	0.98	1.01	1.03	1.05	1.07	1.09	■
-	-	-	-	-	15.4	19.2	21.9	24.5	27.1	30.2	34.8	38.3	42.4	46.4	50.5	381
-	-	-	12.1	14.8	19.1	22.7	25.3	27.8	30.4	33.4	38.0	41.5	45.5	49.6	53.6	382
-	10.9	13.6	15.7	18.3	22.4	26.0	28.5	31.0	33.6	36.6	41.1	44.6	48.7	52.7	56.7	383
-	-	-	-	-	-	17.3	20.0	22.7	25.3	28.4	33.0	36.6	40.7	44.7	48.8	384
-	-	-	-	-	-	-	-	-	19.3	22.6	27.4	31.1	35.3	39.4	43.5	385
■ 0.00	0.79	0.84	0.84	0.88	0.90	0.92	0.95	0.97	0.97	0.99	1.02	1.04	1.06	1.08	1.10	■
-	-	12.2	14.4	17.0	21.2	24.8	27.3	29.9	32.4	35.4	40.0	43.5	47.5	51.5	55.5	386
-	-	-	-	14.2	18.5	22.1	24.7	27.3	29.8	32.9	37.4	41.0	45.0	49.1	53.1	387
-	-	-	-	-	15.6	19.4	22.0	24.6	27.2	30.3	34.9	38.5	42.5	46.6	50.6	388
-	-	-	-	-	-	17.4	20.1	22.8	25.4	28.5	33.2	36.7	40.8	44.9	48.9	389
-	-	-	12.2	15.0	19.2	22.8	25.4	28.0	30.5	33.6	38.1	41.7	45.7	49.7	53.7	390
■ 0.00	0.00	0.81	0.83	0.86	0.90	0.92	0.95	0.97	0.99	1.01	1.03	1.05	1.07	1.09	1.10	■
-	-	-	-	-	-	-	-	-	19.4	22.7	27.5	31.2	35.4	39.5	43.6	391
-	-	-	-	-	-	17.5	20.3	22.9	25.5	28.7	33.3	36.9	41.0	45.0	49.1	392
-	-	-	-	-	15.7	19.5	22.1	24.8	27.3	30.4	35.0	38.6	42.7	46.7	50.7	393
-	-	-	-	-	-	-	-	-	19.5	22.8	27.7	31.4	35.5	39.7	43.8	394
-	-	-	11.5	14.3	18.6	22.3	24.8	27.4	30.0	33.0	37.6	41.1	45.2	49.2	53.2	395
■ 0.00	0.00	0.00	0.77	0.84	0.87	0.90	0.93	0.96	0.94	0.97	1.00	1.03	1.05	1.07	1.09	■
-	-	-	-	-	-	-	-	-	-	-	21.4	25.4	29.8	34.0	38.2	396
-	-	12.4	14.5	17.2	21.3	24.9	27.5	30.0	32.5	35.6	40.1	43.6	47.7	51.7	55.7	397
-	-	-	12.3	15.1	19.3	23.0	25.5	28.1	30.6	33.7	38.3	41.8	45.8	49.9	53.9	398
-	-	-	-	-	-	-	-	-	19.6	23.0	27.8	31.5	35.7	39.8	43.9	399
-	-	-	-	-	-	17.7	20.4	23.0	25.7	28.8	33.4	37.0	41.1	45.2	49.2	400
■ 0.00	0.00	0.81	0.82	0.87	0.92	0.92	0.95	0.97	0.96	0.99	0.99	1.02	1.04	1.06	1.08	■

▲ Not all available belt lengths are shown.

■ Combined Arc-Length correction factors for 5 preceding lines.

# AP & AX Belts In B Sheaves

## Drive Selection Tables

LINE #	RATIO	STOCK SHEAVES			DRIVEN SPEEDS AND HORSEPOWER RATINGS PER BELT								
		Datum Diameter		Number Grooves	1160 RPM			1750 RPM			3500 RPM		
		DR	DN		Driven Speed	H.P. Ratings		Driven Speed	H.P. Ratings		Driven Speed	H.P. Ratings	
						AP	AX		AP	AX		AP	AX
401	4.29	4.00	18.00	1-6	270	3.20	3.45	408	4.41	4.80	815	6.89	7.87
402	4.34	3.40	15.60	1-6	267	2.45	2.70	403	3.35	3.73	806	5.20	6.09
403	4.36	6.60	29.60	2-8,10	266	6.29	6.57	402	8.63	9.13	-	-	-
404	4.40	5.40	24.60	2-8,10	264	4.90	5.16	398	6.76	7.19	796	10.22	11.53
405	4.42	3.20	15.00	1-6	262	2.20	2.44	396	2.99	3.37	792	4.61	5.48
406	4.46	4.20	19.60	1-6	260	3.45	3.70	392	4.75	5.15	785	7.42	8.44
407	4.49	6.40	29.60	2-8,10	258	6.06	6.34	390	8.33	8.81	-	-	-
408	4.51	3.80	18.00	1-6	257	2.96	3.20	388	4.06	4.45	777	6.34	7.29
409	4.56	5.20	24.60	2-8,10	254	4.66	4.92	384	6.43	6.86	768	9.80	11.05
410	4.59	3.20	15.60	1-6	252	2.20	2.44	381	2.99	3.37	762	4.61	5.48
411	4.63	6.20	29.60	2-8,10	251	5.83	6.10	378	8.02	8.50	756	11.70	13.28
412	4.67	4.00	19.60	1-6	248	3.20	3.45	375	4.41	4.80	749	6.89	7.87
413	4.69	3.00	15.00	1-6	247	1.94	2.18	373	2.63	3.00	746	4.00	4.85
414	4.73	5.00	24.60	2-8,10	245	4.42	4.68	370	6.10	6.53	739	9.36	10.56
415	4.74	3.60	18.00	1-6	245	2.71	2.95	369	3.71	4.09	738	5.78	6.70
416	4.78	6.00	29.60	2-8,10	243	5.60	5.87	366	7.71	8.18	733	11.36	12.87
417	4.88	3.00	15.60	1-6	238	1.94	2.18	359	2.63	3.00	718	4.00	4.85
418	4.90	3.80	19.60	1-6	237	2.96	3.20	357	4.06	4.45	714	6.34	7.29
419	4.92	4.80	24.60	2-6	236	4.18	4.44	356	5.77	6.19	711	8.90	10.05
420	4.93	5.80	29.60	2-8,10	235	5.37	5.64	355	7.40	7.85	709	11.00	12.44
421	5.00	3.40	18.00	1-6	232	2.45	2.70	350	3.35	3.73	700	5.21	6.10
422	5.10	5.60	29.60	2-8,10	227	5.14	5.40	343	7.08	7.53	686	10.62	11.99
423	5.12	4.60	24.60	2-6	226	3.94	4.19	342	5.44	5.85	683	8.43	9.53
424	5.16	3.60	19.60	1-6	225	2.71	2.95	339	3.71	4.09	679	5.78	6.70
425	5.22	7.00	37.60	2-8,10	222	6.74	7.03	335	9.23	9.75	-	-	-
426	5.28	5.40	29.60	2-8,10	220	4.90	5.16	331	6.76	7.20	662	10.22	11.53
427	5.29	3.20	18.00	1-6	219	2.20	2.44	331	2.99	3.37	662	4.61	5.48
428	5.34	4.40	24.60	2-6	217	3.70	3.95	327	5.10	5.50	655	7.93	8.99
429	5.44	3.40	19.60	1-6	213	2.45	2.70	322	3.35	3.73	644	5.21	6.10
430	5.48	5.20	29.60	2-8,10	212	4.66	4.92	320	6.43	6.86	639	9.80	11.05
431	5.53	6.60	37.60	2-8,10	210	6.29	6.57	317	8.63	9.13	-	-	-
432	5.58	4.20	24.60	2-6	208	3.45	3.70	313	4.76	5.15	627	7.42	8.44
433	5.62	3.00	18.00	1-6	207	1.94	2.18	312	2.63	3.00	623	4.01	4.85
434	5.69	5.00	29.60	2-8,10	204	4.42	4.68	308	6.10	6.53	616	9.36	10.56
435	5.69	6.40	37.60	2-8,10	204	6.06	6.34	307	8.33	8.81	-	-	-
436	5.75	3.20	19.60	1-6	202	2.20	2.44	304	2.99	3.37	608	4.61	5.48
437	5.85	4.00	24.60	2-6	198	3.21	3.45	299	4.41	4.80	599	6.89	7.87
438	5.87	6.20	37.60	2-8,10	198	5.83	6.11	298	8.02	8.50	596	11.70	13.29
439	5.91	4.80	29.60	2-6	196	4.18	4.44	296	5.77	6.19	592	8.90	10.05
440	6.06	6.00	37.60	2-8,10	192	5.60	5.87	289	7.71	8.18	578	11.36	12.87
441	6.11	3.00	19.60	1-6	190	1.94	2.18	287	2.63	3.00	573	4.01	4.85
442	6.14	3.80	24.60	2-6	189	2.96	3.20	285	4.06	4.45	570	6.35	7.29
443	6.15	4.60	29.60	2-6	188	3.94	4.19	284	5.44	5.85	569	8.43	9.53
444	6.26	5.80	37.60	2-8,10	185	5.37	5.64	280	7.40	7.85	559	11.00	12.44
445	6.42	4.40	29.60	2-6	181	3.70	3.95	273	5.10	5.50	545	7.93	8.99
446	6.45	3.60	24.60	2-6	180	2.71	2.95	271	3.71	4.09	542	5.79	6.70
447	6.47	5.60	37.60	2-8,10	179	5.14	5.40	270	7.08	7.53	541	10.62	12.00
448	6.70	5.40	37.60	2-8,10	173	4.90	5.16	261	6.76	7.20	522	10.22	11.53
449	6.71	4.20	29.60	2-6	173	3.45	3.70	261	4.76	5.15	522	7.42	8.44
450	6.81	3.40	24.60	2-6	170	2.45	2.70	257	3.35	3.73	514	5.21	6.10

Shaded area diameters are below industry standard for belt.



# AP & AX Belts In B Sheaves

## Drive Selection Tables

CENTER DISTANCE AND COMBINED ARC-LENGTH CORRECTION FACTOR ▲															LINE #	
A55	A60	A68	A75	A80	A85	A90	A96	A105	A112	A120	A128	A136	A144	A158	A173	
-	-	15.8	19.6	22.3	24.9	27.5	30.6	35.2	38.7	42.8	46.8	50.9	54.9	62.0	69.5	401
11.6	14.4	18.7	22.4	25.0	27.6	30.1	33.2	37.7	41.3	45.3	49.4	53.4	57.4	64.4	72.0	402
-	-	-	-	-	-	-	-	21.7	25.6	30.0	34.3	38.5	42.7	49.9	57.6	403
-	-	-	-	-	16.9	19.8	23.1	27.9	31.6	35.8	39.9	44.0	48.1	55.3	62.9	404
12.5	15.2	19.5	23.1	25.7	28.2	30.8	33.8	38.4	41.9	46.0	50.0	54.0	58.1	65.1	72.6	405
■ 0.79	0.84	0.88	0.93	0.95	0.93	0.96	0.99	0.99	1.02	1.04	1.06	1.08	1.10	1.12	1.15	■
-	-	13.8	17.8	20.5	23.2	25.8	28.9	33.6	37.2	41.2	45.3	49.4	53.4	60.5	68.0	406
-	-	-	-	-	-	-	-	21.8	25.8	30.1	34.4	38.6	42.8	50.0	57.7	407
-	-	15.9	19.8	22.4	25.0	27.6	30.7	35.3	38.9	42.9	47.0	51.0	55.1	62.1	69.7	408
-	-	-	-	-	17.0	19.9	23.2	28.1	31.8	35.9	40.1	44.2	48.3	55.4	63.0	409
11.7	14.6	18.9	22.5	25.1	27.7	30.2	33.3	37.9	41.4	45.5	49.5	53.5	57.6	64.6	72.1	410
■ 0.77	0.83	0.84	0.90	0.93	0.92	0.95	0.98	0.98	1.01	1.04	1.06	1.08	1.10	1.12	1.15	■
-	-	-	-	-	-	-	-	21.9	25.9	30.3	34.6	38.8	42.9	50.2	57.8	411
-	-	13.9	17.9	20.6	23.3	25.9	29.1	33.7	37.3	41.4	45.4	49.5	53.5	60.6	68.2	412
12.6	15.3	19.6	23.2	25.8	28.4	30.9	34.0	38.5	42.1	46.1	50.2	54.2	58.2	65.2	72.8	413
-	-	-	-	-	17.1	20.0	23.3	28.2	31.9	36.1	40.2	44.3	48.4	55.5	63.1	414
-	-	16.1	19.9	22.5	25.2	27.8	30.8	35.5	39.0	43.1	47.1	51.2	55.2	62.3	69.8	415
■ 0.80	0.85	0.85	0.90	0.93	0.92	0.95	0.98	0.98	1.01	1.04	1.06	1.08	1.09	1.12	1.15	■
-	-	-	-	-	-	-	-	22.0	26.0	30.4	34.7	38.9	43.1	50.3	58.0	416
11.9	14.7	19.0	22.7	25.3	27.8	30.4	33.4	38.0	41.6	45.6	49.6	53.7	57.7	64.7	72.3	417
-	-	14.1	18.0	20.8	23.4	26.1	29.2	33.8	37.4	41.5	45.6	49.6	53.7	60.8	68.3	418
-	-	-	-	-	17.2	20.1	23.5	28.3	32.0	36.2	40.3	44.5	48.5	55.7	63.3	419
-	-	-	-	-	-	-	-	22.2	26.1	30.5	34.8	39.0	43.2	50.4	58.1	420
■ 0.77	0.83	0.84	0.90	0.93	0.91	0.94	0.97	0.95	0.99	1.02	1.04	1.06	1.08	1.11	1.14	■
-	-	16.2	20.0	22.7	25.3	27.9	31.0	35.6	39.2	43.2	47.3	51.3	55.4	62.4	70.0	421
-	-	-	-	-	-	-	-	22.3	26.3	30.7	34.9	39.2	43.3	50.6	58.3	422
-	-	-	-	-	17.3	20.2	23.6	28.5	32.2	36.3	40.5	44.6	48.7	55.8	63.4	423
-	-	14.2	18.2	20.9	23.6	26.2	29.3	34.0	37.6	41.7	45.7	49.8	53.8	60.9	68.5	424
-	-	-	-	-	-	-	-	-	-	-	24.9	29.7	34.2	41.8	49.8	425
■ 0.00	0.00	0.82	0.88	0.92	0.90	0.93	0.96	0.97	1.00	1.03	1.01	1.04	1.07	1.10	1.13	■
-	-	-	-	-	-	-	-	22.4	26.4	30.8	35.1	39.3	43.5	50.7	58.4	426
-	-	16.3	20.1	22.8	25.4	28.0	31.1	35.7	39.3	43.4	47.4	51.5	55.5	62.6	70.1	427
-	-	-	-	-	17.5	20.4	23.7	28.6	32.3	36.5	40.6	44.7	48.8	56.0	63.6	428
-	-	14.3	18.3	21.0	23.7	26.3	29.5	34.1	37.7	41.8	45.9	49.9	54.0	61.0	68.6	429
-	-	-	-	-	-	-	-	22.5	26.5	30.9	35.2	39.4	43.6	50.9	58.5	430
■ 0.00	0.00	0.81	0.88	0.91	0.90	0.93	0.96	0.95	0.98	1.01	1.04	1.06	1.08	1.11	1.14	■
-	-	-	-	-	-	-	-	-	-	-	25.2	29.9	34.4	42.1	50.0	431
-	-	-	-	-	17.6	20.5	23.8	28.7	32.4	36.6	40.8	44.9	49.0	56.1	63.7	432
-	-	16.4	20.3	22.9	25.6	28.2	31.3	35.9	39.4	43.5	47.6	51.6	55.7	62.7	70.3	433
-	-	-	-	-	-	-	-	22.6	26.6	31.0	35.3	39.6	43.7	51.0	58.7	434
-	-	-	-	-	-	-	-	-	-	-	25.3	30.0	34.6	42.2	50.2	435
■ 0.00	0.00	0.84	0.90	0.93	0.88	0.92	0.95	0.95	0.99	1.02	0.97	1.01	1.04	1.08	1.11	■
-	-	14.4	18.4	21.2	23.8	26.5	29.6	34.3	37.9	41.9	46.0	50.1	54.1	61.2	68.8	436
-	-	-	-	-	17.7	20.6	24.0	28.8	32.6	36.7	40.9	45.0	49.1	56.2	63.9	437
-	-	-	-	-	-	-	-	-	-	-	25.4	30.2	34.7	42.3	50.3	438
-	-	-	-	-	-	-	-	22.8	26.8	31.2	35.5	39.7	43.9	51.1	58.8	439
-	-	-	-	-	-	-	-	-	-	-	25.5	30.3	34.8	42.5	50.4	440
■ 0.00	0.00	0.78	0.86	0.90	0.87	0.91	0.95	0.95	0.98	1.01	0.96	1.01	1.04	1.08	1.11	■
-	-	14.5	18.5	21.3	24.0	26.6	29.7	34.4	38.0	42.1	46.2	50.2	54.3	61.3	68.9	441
-	-	-	-	-	17.8	20.7	24.1	29.0	32.7	36.9	41.0	45.1	49.2	56.4	64.0	442
-	-	-	-	-	-	-	-	22.9	26.9	31.3	35.6	39.8	44.0	51.3	59.0	443
-	-	-	-	-	-	-	-	-	-	-	25.6	30.4	34.9	42.6	50.6	444
-	-	-	-	-	-	-	-	23.0	27.0	31.4	35.7	40.0	44.1	51.4	59.1	445
■ 0.00	0.00	0.78	0.86	0.90	0.87	0.91	0.95	0.93	0.97	1.00	0.99	1.03	1.05	1.09	1.12	■
-	-	-	-	-	17.9	20.9	24.2	29.1	32.8	37.0	41.2	45.3	49.4	56.5	64.1	446
-	-	-	-	-	-	-	-	-	-	-	25.7	30.5	35.1	42.7	50.7	447
-	-	-	-	-	-	-	-	-	-	-	25.9	30.6	35.2	42.9	50.8	448
-	-	-	-	-	-	-	-	23.1	27.1	31.5	35.9	40.1	44.3	51.5	59.2	449
-	-	-	-	-	18.0	21.0	24.4	29.2	33.0	37.1	41.3	45.4	49.5	56.7	64.3	450
■ 0.00	0.00	0.00	0.00	0.00	0.81	0.87	0.91	0.93	0.97	1.00	0.96	1.00	1.03	1.07	1.11	■

▲ Not all available belt lengths are shown.

■ Combined Arc-Length correction factors for 5 preceding lines.



# AP & AX Belts In B Sheaves

## Drive Selection Tables

LINE #	RATIO	STOCK SHEAVES			DRIVEN SPEEDS AND HORSEPOWER RATINGS PER BELT								
		Datum Diameter		Number Grooves	1160 RPM			1750 RPM			3500 RPM		
		DR	DN		Driven Speed	H.P. Ratings		Driven Speed	H.P. Ratings		Driven Speed	H.P. Ratings	
						AP	AX		AP	AX		AP	AX
451	6.94	5.20	37.60	2-8,10	167	4.66	4.92	252	6.43	6.86	504	9.80	11.05
452	7.02	4.00	29.60	2-6	165	3.21	3.45	249	4.41	4.80	498	6.89	7.87
453	7.20	3.20	24.60	2-6	161	2.20	2.44	243	2.99	3.37	486	4.62	5.48
454	7.21	5.00	37.60	2-8,10	161	4.42	4.68	243	6.11	6.53	485	9.36	10.56
455	7.37	3.80	29.60	2-6	157	2.96	3.20	237	4.06	4.45	475	6.35	7.29
456	7.50	4.80	37.60	2-6	155	4.18	4.44	233	5.77	6.19	467	8.91	10.05
457	7.65	3.00	24.60	2-6	152	1.94	2.18	229	2.63	3.00	458	4.01	4.85
458	7.75	3.60	29.60	2-6	150	2.71	2.95	226	3.71	4.09	451	5.79	6.70
459	7.80	4.60	37.60	2-6	149	3.94	4.19	224	5.44	5.85	448	8.43	9.53
460	8.14	4.40	37.60	2-6	143	3.70	3.95	215	5.10	5.50	430	7.94	8.99
461	8.18	3.40	29.60	2-6	142	2.45	2.70	214	3.35	3.73	428	5.21	6.10
462	8.51	4.20	37.60	2-6	136	3.45	3.70	206	4.76	5.16	411	7.42	8.44
463	8.65	3.20	29.60	2-6	134	2.20	2.44	202	2.99	3.37	405	4.62	5.48
464	8.91	4.00	37.60	2-6	130	3.21	3.45	196	4.41	4.80	393	6.90	7.87
465	9.18	3.00	29.60	2-6	126	1.94	2.18	191	2.63	3.00	381	4.01	4.85
466	9.35	3.80	37.60	2-6	124	2.96	3.20	187	4.06	4.45	375	6.35	7.30
467	9.83	3.60	37.60	2-6	118	2.71	2.95	178	3.71	4.09	356	5.79	6.70
468	10.37	3.40	37.60	2-6	112	2.45	2.70	169	3.35	3.73	338	5.21	6.10
469	10.97	3.20	37.60	2-6	106	2.20	2.44	160	2.99	3.37	319	4.62	5.48
470	11.65	3.00	37.60	2-6	100	1.94	2.18	150	2.63	3.00	301	4.01	4.85

Shaded area diameters are below industry standard for belt.

# AP & AX Belts In B Sheaves

## Drive Selection Tables

CENTER DISTANCE AND COMBINED ARC-LENGTH CORRECTION FACTOR ▲											LINE #	
A85	A90	A96	A105	A112	A120	A128	A136	A144	A158	A173	A180	
-	-	-	-	-	-	26.0	30.8	35.3	43.0	51.0	54.6	451
-	-	-	23.2	27.3	31.7	36.0	40.2	44.4	51.7	59.4	63.0	452
18.2	21.1	24.5	29.4	33.1	37.3	41.4	45.6	49.7	56.8	64.4	68.0	453
-	-	-	-	-	-	26.1	30.9	35.4	43.1	51.1	54.8	454
-	-	-	23.4	27.4	31.8	36.1	40.4	44.5	51.8	59.5	63.1	455
■	<b>0.81</b>	<b>0.86</b>	<b>0.91</b>	<b>0.90</b>	<b>0.94</b>	<b>0.98</b>	<b>0.95</b>	<b>0.99</b>	<b>1.02</b>	<b>1.07</b>	<b>1.10</b>	<b>1.12</b> ■
-	-	-	-	-	-	26.2	31.0	35.6	43.2	51.2	54.9	456
18.3	21.2	24.6	29.5	33.2	37.4	41.6	45.7	49.8	56.9	64.6	68.1	457
-	-	-	23.5	27.5	31.9	36.2	40.5	44.7	51.9	59.7	63.2	458
-	-	-	-	-	-	26.3	31.1	35.7	43.4	51.4	55.0	459
-	-	-	-	-	-	26.5	31.3	35.8	43.5	51.5	55.2	460
■	<b>0.81</b>	<b>0.86</b>	<b>0.91</b>	<b>0.91</b>	<b>0.95</b>	<b>0.99</b>	<b>0.91</b>	<b>0.97</b>	<b>1.01</b>	<b>1.05</b>	<b>1.09</b>	<b>1.11</b> ■
-	-	-	23.6	27.6	32.1	36.4	40.6	44.8	52.1	59.8	63.4	461
-	-	-	-	-	-	26.6	31.4	35.9	43.6	51.6	55.3	462
-	-	-	23.7	27.7	32.2	36.5	40.8	45.0	52.2	59.9	63.5	463
-	-	-	-	-	-	26.7	31.5	36.1	43.8	51.8	55.4	464
-	-	18.2	23.8	27.9	32.3	36.6	40.9	45.1	52.4	60.1	63.7	465
■	<b>0.00</b>	<b>0.00</b>	<b>0.72</b>	<b>0.86</b>	<b>0.92</b>	<b>0.96</b>	<b>0.94</b>	<b>0.98</b>	<b>1.02</b>	<b>1.06</b>	<b>1.10</b>	<b>1.11</b> ■
-	-	-	-	-	-	26.8	31.6	36.2	43.9	51.9	55.6	466
-	-	-	-	-	-	26.9	31.7	36.3	44.0	52.0	55.7	467
-	-	-	-	-	-	27.0	31.9	36.4	44.1	52.1	55.8	468
-	-	-	-	-	-	27.2	32.0	36.6	44.3	52.3	56.0	469
-	-	-	-	-	-	27.3	32.1	36.7	44.4	52.4	56.1	470
■	<b>0.00</b>	<b>0.00</b>	<b>0.00</b>	<b>0.00</b>	<b>0.00</b>	<b>0.84</b>	<b>0.92</b>	<b>0.96</b>	<b>1.02</b>	<b>1.07</b>	<b>1.08</b> ■	

▲ Not all available belt lengths are shown.

■ Combined Arc-Length correction factors for 5 preceding lines.

# BP & BX Belts In B Sheaves

## Drive Selection Tables

LINE #	RATIO	STOCK SHEAVES			DRIVEN SPEEDS AND HORSEPOWER RATINGS PER BELT								
		Datum Diameter		Number Grooves	1160 RPM			1750 RPM			3500 RPM		
		DR	DN		Driven Speed	H.P. Ratings		Driven Speed	H.P. Ratings		Driven Speed	H.P. Ratings	
						BP	BX		BP	BX		BP	BX
1	1.00	3.40	3.40	1-6	1160	1.77	2.86	1750	2.10	3.81	3500	1.65	5.45
2	1.00	3.60	3.60	1-6	1160	2.17	3.27	1750	2.66	4.40	3500	2.55	6.44
3	1.00	3.80	3.80	1-6	1160	2.57	3.68	1750	3.22	4.98	3500	3.43	7.41
4	1.00	4.00	4.00	1-6	1160	2.97	4.09	1750	3.78	5.56	3500	4.28	8.36
5	1.00	4.20	4.20	1-6	1160	3.36	4.50	1750	4.32	6.14	3500	5.10	9.28
6	1.00	4.40	4.40	1-6	1160	3.75	4.90	1750	4.87	6.71	3500	5.89	10.18
7	1.00	4.60	4.60	1-6	1160	4.14	5.30	1750	5.40	7.28	3500	6.65	11.06
8	1.00	4.80	4.80	1-6	1160	4.52	5.70	1750	5.93	7.84	3500	7.38	11.91
9	1.00	5.00	5.00	1-6	1160	4.90	6.10	1750	6.46	8.40	3500	8.09	12.74
10	1.00	5.20	5.20	1-6	1160	5.28	6.50	1750	6.98	8.95	3500	8.76	13.54
11	1.00	5.40	5.40	1-8,10	1160	5.66	6.89	1750	7.50	9.49	3500	9.40	14.32
12	1.00	5.60	5.60	1-8,10	1160	6.04	7.28	1750	8.00	10.04	3500	10.00	15.07
13	1.00	5.80	5.80	1-8,10	1160	6.41	7.67	1750	8.51	10.58	3500	10.58	15.80
14	1.00	6.00	6.00	1-8,10	1160	6.78	8.05	1750	9.00	11.11	3500	11.11	16.49
15	1.00	6.20	6.20	1-8,10	1160	7.14	8.44	1750	9.49	11.64	3500	11.61	17.16
16	1.00	6.40	6.40	1-8,10	1160	7.51	8.82	1750	9.98	12.16	3500	12.08	17.80
17	1.00	6.60	6.60	1-8,10	1160	7.87	9.20	1750	10.46	12.68	3500	12.51	18.41
18	1.00	6.80	6.80	1-8,10	1160	8.23	9.58	1750	10.93	13.19	-	-	-
19	1.00	7.00	7.00	1-8,10	1160	8.59	9.96	1750	11.40	13.70	-	-	-
20	1.00	7.40	7.40	1-8,10	1160	9.29	10.70	1750	12.31	14.70	-	-	-
21	1.00	8.00	8.00	1-8,10	1160	10.34	11.81	1750	13.63	16.16	-	-	-
22	1.00	8.60	8.60	1-8,10	1160	11.36	12.89	1750	14.90	17.57	-	-	-
23	1.00	9.40	9.40	1-8,10	1160	12.68	14.31	1750	16.48	19.38	-	-	-
24	1.03	6.80	7.00	1-8,10	1129	8.30	9.66	1703	11.04	13.30	-	-	-
25	1.03	6.60	6.80	1-8,10	1128	7.94	9.28	1701	10.57	12.79	3403	12.72	18.64
26	1.03	6.40	6.60	1-8,10	1127	7.58	8.90	1700	10.09	12.28	3400	12.30	18.04
27	1.03	6.20	6.40	1-8,10	1126	7.22	8.52	1699	9.61	11.76	3397	11.84	17.41
28	1.03	6.00	6.20	1-8,10	1125	6.85	8.14	1697	9.12	11.23	3394	11.35	16.75
29	1.03	5.80	6.00	1-8,10	1124	6.49	7.75	1695	8.63	10.71	3391	10.81	16.06
30	1.03	5.60	5.80	1-8,10	1123	6.12	7.37	1694	8.13	10.17	3387	10.25	15.34
31	1.03	5.40	5.60	1-8,10	1121	5.74	6.98	1692	7.62	9.63	3384	9.65	14.60
32	1.04	5.20	5.40	1-6	1120	5.37	6.59	1690	7.11	9.09	3380	9.02	13.83
33	1.04	5.00	5.20	1-6	1119	4.99	6.20	1688	6.60	8.54	3375	8.36	13.04
34	1.04	4.80	5.00	1-6	1117	4.61	5.80	1685	6.07	7.99	3371	7.67	12.22
35	1.04	4.60	4.80	1-6	1115	4.23	5.41	1683	5.55	7.43	3366	6.94	11.37
36	1.04	4.40	4.60	1-6	1114	3.85	5.01	1680	5.02	6.87	3360	6.19	10.51
37	1.04	4.20	4.40	1-6	1112	3.46	4.61	1677	4.48	6.31	3355	5.41	9.62
38	1.05	4.00	4.20	1-6	1110	3.08	4.21	1674	3.94	5.74	3348	4.60	8.71
39	1.05	3.80	4.00	1-6	1107	2.69	3.81	1671	3.39	5.17	3341	3.77	7.78
40	1.05	3.60	3.80	1-6	1105	2.29	3.40	1667	2.84	4.59	3334	2.91	6.83
41	1.05	3.40	3.60	1-6	1102	1.90	2.99	1663	2.28	4.01	3326	2.02	5.85
42	1.05	7.00	7.40	1-8,10	1101	8.71	10.09	1660	11.59	13.91	-	-	-
43	1.06	6.60	7.00	1-8,10	1097	8.00	9.35	1656	10.66	12.89	3311	12.91	18.84
44	1.06	6.40	6.80	1-8,10	1096	7.64	8.97	1653	10.18	12.38	3306	12.49	18.24
45	1.06	6.20	6.60	1-8,10	1094	7.28	8.59	1650	9.70	11.86	3300	12.03	17.61
46	1.06	6.00	6.40	1-8,10	1092	6.92	8.21	1647	9.22	11.34	3295	11.54	16.96
47	1.06	5.80	6.20	1-8,10	1090	6.55	7.83	1644	8.73	10.81	3288	11.02	16.28
48	1.07	5.60	6.00	1-8,10	1088	6.19	7.44	1641	8.23	10.28	3282	10.46	15.57
49	1.07	5.40	5.80	1-8,10	1085	5.82	7.06	1637	7.73	9.75	3275	9.87	14.83
50	1.07	5.20	5.60	1-6	1083	5.44	6.67	1634	7.22	9.21	3267	9.24	14.07

Shaded area diameters are below industry standard for belt.

# BP & BX Belts In B Sheaves

## Drive Selection Tables

CENTER DISTANCE AND COMBINED ARC-LENGTH CORRECTION FACTOR ▲																LINE #
B35	B38	B42	B46	B51	B55	B60	B68	B75	B80	B85	B90	B96	B105	B112	B120	
13.1	14.6	16.6	18.6	21.1	23.1	25.6	29.6	33.1	36.1	38.1	40.6	44.1	48.1	51.6	55.6	1
12.7	14.2	16.2	18.2	20.7	22.7	25.2	29.2	32.7	35.7	37.7	40.2	43.7	47.7	51.2	55.2	2
12.4	13.9	15.9	17.9	20.4	22.4	24.9	28.9	32.4	35.4	37.4	39.9	43.4	47.4	50.9	54.9	3
12.1	13.6	15.6	17.6	20.1	22.1	24.6	28.6	32.1	35.1	37.1	39.6	43.1	47.1	50.6	54.6	4
11.8	13.3	15.3	17.3	19.8	21.8	24.3	28.3	31.8	34.8	36.8	39.3	42.8	46.8	50.3	54.3	5
<b>■ 0.82 0.84 0.86 0.87 0.89 0.91 0.92 0.95 0.97 0.98 0.99 1.00 1.01 1.03 1.04 1.06 ■</b>																
11.5	13.0	15.0	17.0	19.5	21.5	24.0	28.0	31.5	34.5	36.5	39.0	42.5	46.5	50.0	54.0	6
11.2	12.7	14.7	16.7	19.2	21.2	23.7	27.7	31.2	34.2	36.2	38.7	42.2	46.2	49.7	53.7	7
10.9	12.4	14.4	16.4	18.9	20.9	23.4	27.4	30.9	33.9	35.9	38.4	41.9	45.9	49.4	53.4	8
10.5	12.0	14.0	16.0	18.5	20.5	23.0	27.0	30.5	33.5	35.5	38.0	41.5	45.5	49.0	53.0	9
10.2	11.7	13.7	15.7	18.2	20.2	22.7	26.7	30.2	33.2	35.2	37.7	41.2	45.2	48.7	52.7	10
<b>■ 0.82 0.84 0.86 0.87 0.89 0.91 0.92 0.95 0.97 0.98 0.99 1.00 1.01 1.03 1.04 1.06 ■</b>																
9.9	11.4	13.4	15.4	17.9	19.9	22.4	26.4	29.9	32.9	34.9	37.4	40.9	44.9	48.4	52.4	11
9.6	11.1	13.1	15.1	17.6	19.6	22.1	26.1	29.6	32.6	34.6	37.1	40.6	44.6	48.1	52.1	12
9.3	10.8	12.8	14.8	17.3	19.3	21.8	25.8	29.3	32.3	34.3	36.8	40.3	44.3	47.8	51.8	13
9.0	10.5	12.5	14.5	17.0	19.0	21.5	25.5	29.0	32.0	34.0	36.5	40.0	44.0	47.5	51.5	14
8.7	10.2	12.2	14.2	16.7	18.7	21.2	25.2	28.7	31.7	33.7	36.2	39.7	43.7	47.2	51.2	15
<b>■ 0.82 0.84 0.86 0.87 0.89 0.91 0.92 0.95 0.97 0.98 0.99 1.00 1.01 1.03 1.04 1.06 ■</b>																
8.3	9.8	11.8	13.8	16.3	18.3	20.8	24.8	28.3	31.3	33.3	35.8	39.3	43.3	46.8	50.8	16
-	9.5	11.5	13.5	16.0	18.0	20.5	24.5	28.0	31.0	33.0	35.5	39.0	43.0	46.5	50.5	17
-	9.2	11.2	13.2	15.7	17.7	20.2	24.2	27.7	30.7	32.7	35.2	38.7	42.7	46.2	50.2	18
-	8.9	10.9	12.9	15.4	17.4	19.9	23.9	27.4	30.4	32.4	34.9	38.4	42.4	45.9	49.9	19
-	-	10.3	12.3	14.8	16.8	19.3	23.3	26.8	29.8	31.8	34.3	37.8	41.8	45.3	49.3	20
<b>■ 0.82 0.84 0.86 0.87 0.89 0.91 0.92 0.95 0.97 0.98 0.99 1.00 1.01 1.03 1.04 1.06 ■</b>																
-	-	-	11.3	13.8	15.8	18.3	22.3	25.8	28.8	30.8	33.3	36.8	40.8	44.3	48.3	21
-	-	-	10.4	12.9	14.9	17.4	21.4	24.9	27.9	29.9	32.4	35.9	39.9	43.4	47.4	22
-	-	-	-	11.6	13.6	16.1	20.1	23.6	26.6	28.6	31.1	34.6	38.6	42.1	46.1	23
-	9.1	11.1	13.1	15.6	17.6	20.1	24.1	27.6	30.6	32.6	35.1	38.6	42.6	46.1	50.1	24
-	9.4	11.4	13.4	15.9	17.9	20.4	24.4	27.9	30.9	32.9	35.4	38.9	42.9	46.4	50.4	25
<b>■ 0.00 0.83 0.85 0.87 0.89 0.91 0.92 0.95 0.96 0.98 0.99 1.00 1.01 1.03 1.04 1.06 ■</b>																
-	9.7	11.7	13.7	16.2	18.2	20.7	24.7	28.2	31.2	33.2	35.7	39.2	43.2	46.7	50.7	26
8.5	10.0	12.0	14.0	16.5	18.5	21.0	25.0	28.5	31.5	33.5	36.0	39.5	43.5	47.0	51.0	27
8.8	10.3	12.3	14.3	16.8	18.8	21.3	25.3	28.8	31.8	33.8	36.3	39.8	43.8	47.3	51.3	28
9.1	10.6	12.6	14.6	17.1	19.1	21.6	25.6	29.1	32.1	34.1	36.6	40.1	44.1	47.6	51.6	29
9.4	10.9	12.9	14.9	17.4	19.4	21.9	25.9	29.4	32.4	34.4	36.9	40.4	44.4	47.9	51.9	30
<b>■ 0.82 0.83 0.85 0.87 0.89 0.90 0.92 0.95 0.96 0.98 0.99 1.00 1.01 1.03 1.04 1.06 ■</b>																
9.8	11.3	13.3	15.3	17.8	19.8	22.3	26.3	29.8	32.8	34.8	37.3	40.8	44.8	48.3	52.3	31
10.1	11.6	13.6	15.6	18.1	20.1	22.6	26.6	30.1	33.1	35.1	37.6	41.1	45.1	48.6	52.6	32
10.4	11.9	13.9	15.9	18.4	20.4	22.9	26.9	30.4	33.4	35.4	37.9	41.4	45.4	48.9	52.9	33
10.7	12.2	14.2	16.2	18.7	20.7	23.2	27.2	30.7	33.7	35.7	38.2	41.7	45.7	49.2	53.2	34
11.0	12.5	14.5	16.5	19.0	21.0	23.5	27.5	31.0	34.0	36.0	38.5	42.0	46.0	49.5	53.5	35
<b>■ 0.82 0.83 0.85 0.87 0.89 0.90 0.92 0.95 0.96 0.98 0.99 1.00 1.01 1.03 1.04 1.06 ■</b>																
11.3	12.8	14.8	16.8	19.3	21.3	23.8	27.8	31.3	34.3	36.3	38.8	42.3	46.3	49.8	53.8	36
11.6	13.1	15.1	17.1	19.6	21.6	24.1	28.1	31.6	34.6	36.6	39.1	42.6	46.6	50.1	54.1	37
12.0	13.5	15.5	17.5	20.0	22.0	24.5	28.5	32.0	35.0	37.0	39.5	43.0	47.0	50.5	54.5	38
12.3	13.8	15.8	17.8	20.3	22.3	24.8	28.8	32.3	35.3	37.3	39.8	43.3	47.3	50.8	54.8	39
12.6	14.1	16.1	18.1	20.6	22.6	25.1	29.1	32.6	35.6	37.6	40.1	43.6	47.6	51.1	55.1	40
<b>■ 0.82 0.83 0.85 0.87 0.89 0.90 0.92 0.95 0.96 0.98 0.99 1.00 1.01 1.03 1.04 1.06 ■</b>																
12.9	14.4	16.4	18.4	20.9	22.9	25.4	29.4	32.9	35.9	37.9	40.4	43.9	47.9	51.4	55.4	41
-	-	10.6	12.6	15.1	17.1	19.6	23.6	27.1	30.1	32.1	34.6	38.1	42.1	45.6	49.6	42
-	9.2	11.2	13.2	15.7	17.7	20.2	24.2	27.7	30.7	32.7	35.2	38.7	42.7	46.2	50.2	43
-	9.5	11.5	13.5	16.0	18.0	20.5	24.5	28.0	31.0	33.0	35.5	39.0	43.0	46.5	50.5	44
8.3	9.8	11.8	13.8	16.3	18.3	20.8	24.8	28.3	31.3	33.3	35.8	39.3	43.3	46.8	50.8	45
<b>■ 0.82 0.83 0.85 0.87 0.89 0.90 0.92 0.94 0.96 0.98 0.99 1.00 1.01 1.03 1.04 1.05 ■</b>																
8.7	10.2	12.2	14.2	16.7	18.7	21.2	25.2	28.7	31.7	33.7	36.2	39.7	43.7	47.2	51.2	46
9.0	10.5	12.5	14.5	17.0	19.0	21.5	25.5	29.0	32.0	34.0	36.5	40.0	44.0	47.5	51.5	47
9.3	10.8	12.8	14.8	17.3	19.3	21.8	25.8	29.3	32.3	34.3	36.8	40.3	44.3	47.8	51.8	48
9.6	11.1	13.1	15.1	17.6	19.6	22.1	26.1	29.6	32.6	34.6	37.1	40.6	44.6	48.1	52.1	49
9.9	11.4	13.4	15.4	17.9	19.9	22.4	26.4	29.9	32.9	34.9	37.4	40.9	44.9	48.4	52.4	50
<b>■ 0.82 0.83 0.85 0.87 0.89 0.90 0.92 0.94 0.96 0.98 0.99 1.00 1.01 1.03 1.04 1.05 ■</b>																

▲ Not all available belt lengths are shown.

■ Combined Arc-Length correction factors for 5 preceding lines.

# BP & BX Belts In B Sheaves

## Drive Selection Tables

LINE #	RATIO	STOCK SHEAVES			DRIVEN SPEEDS AND HORSEPOWER RATINGS PER BELT								
		Datum Diameter		Number Grooves	1160 RPM			1750 RPM			3500 RPM		
		DR	DN		Driven Speed	H.P. Ratings		Driven Speed	H.P. Ratings		Driven Speed	H.P. Ratings	
						BP	BX		BP	BX		BP	BX
51	1.07	8.00	8.60	1-8,10	1083	10.50	11.98	1634	13.88	16.42	-	-	-
52	1.07	5.00	5.40	1-6	1080	5.07	6.28	1630	6.71	8.66	3259	8.58	13.28
53	1.08	4.80	5.20	1-6	1077	4.69	5.89	1625	6.19	8.11	3251	7.90	12.47
54	1.08	7.40	8.00	1-8,10	1077	9.46	10.89	1625	12.57	14.98	-	-	-
55	1.08	4.60	5.00	1-6	1074	4.31	5.49	1621	5.67	7.56	3241	7.18	11.63
56	1.08	4.40	4.80	1-6	1071	3.93	5.10	1616	5.14	7.01	3231	6.44	10.77
57	1.08	6.80	7.40	1-8,10	1071	8.41	9.78	1616	11.20	13.49	-	-	-
58	1.09	4.20	4.60	1-6	1067	3.55	4.70	1610	4.61	6.44	3221	5.66	9.89
59	1.09	6.40	7.00	1-8,10	1066	7.70	9.03	1608	10.27	12.47	3217	12.65	18.42
60	1.09	8.60	9.40	1-8,10	1065	11.55	13.10	1607	15.19	17.88	-	-	-
61	1.09	4.00	4.40	1-6	1064	3.16	4.30	1605	4.07	5.88	3209	4.86	8.99
62	1.09	6.20	6.80	1-8,10	1064	7.34	8.65	1604	9.79	11.95	3209	12.20	17.79
63	1.09	6.00	6.60	1-8,10	1061	6.98	8.27	1600	9.30	11.43	3201	11.71	17.14
64	1.09	3.80	4.20	1-6	1059	2.77	3.90	1598	3.52	5.31	3197	4.04	8.06
65	1.10	5.80	6.40	1-8,10	1058	6.61	7.89	1596	8.81	10.91	3192	11.19	16.46
66	1.10	3.60	4.00	1-6	1055	2.38	3.50	1591	2.98	4.74	3183	3.19	7.12
67	1.10	5.60	6.20	1-8,10	1055	6.24	7.50	1591	8.32	10.38	3182	10.63	15.75
68	1.10	5.40	6.00	1-8,10	1051	5.88	7.12	1586	7.82	9.84	3173	10.05	15.02
69	1.10	3.40	3.80	1-6	1050	1.99	3.09	1584	2.42	4.16	3168	2.31	6.16
70	1.11	5.20	5.80	1-6	1048	5.50	6.73	1581	7.31	9.31	3162	9.42	14.26
71	1.11	5.00	5.60	1-6	1044	5.13	6.34	1575	6.80	8.76	3151	8.77	13.48
72	1.11	6.60	7.40	1-8,10	1041	8.10	9.45	1571	10.81	13.05	3142	13.21	19.16
73	1.12	4.80	5.40	1-6	1040	4.76	5.95	1569	6.29	8.22	3139	8.09	12.67
74	1.12	4.60	5.20	1-6	1036	4.38	5.56	1563	5.77	7.67	3126	7.38	11.84
75	1.12	6.20	7.00	1-8,10	1035	7.39	8.70	1561	9.86	12.03	3122	12.34	17.94
76	1.12	4.40	5.00	1-6	1031	4.00	5.17	1556	5.24	7.11	3112	6.63	10.98
77	1.12	6.00	6.80	1-8,10	1031	7.02	8.32	1556	9.38	11.51	3112	11.86	17.29
78	1.13	5.80	6.60	1-8,10	1028	6.66	7.94	1550	8.89	10.98	3101	11.34	16.61
79	1.13	4.20	4.80	1-6	1026	3.61	4.77	1549	4.71	6.55	3097	5.87	10.10
80	1.13	5.60	6.40	1-8,10	1024	6.29	7.56	1545	8.39	10.46	3089	10.78	15.91
81	1.13	7.00	8.00	1-8,10	1022	8.85	10.24	1542	11.79	14.12	-	-	-
82	1.14	4.00	4.60	1-6	1021	3.23	4.37	1541	4.17	5.99	3081	5.07	9.21
83	1.14	5.40	6.20	1-8,10	1020	5.93	7.17	1538	7.90	9.92	3077	10.20	15.18
84	1.14	3.80	4.40	1-6	1015	2.84	3.97	1532	3.63	5.42	3064	4.25	8.29
85	1.14	5.20	6.00	1-6	1015	5.56	6.79	1532	7.39	9.39	3063	9.58	14.42
86	1.15	6.40	7.40	1-8,10	1012	7.79	9.12	1526	10.40	12.61	3052	12.92	18.69
87	1.15	5.00	5.80	1-6	1011	5.18	6.40	1525	6.88	8.84	3049	8.93	13.64
88	1.15	3.60	4.20	1-6	1009	2.46	3.57	1522	3.08	4.85	3045	3.40	7.35
89	1.15	4.80	5.60	1-6	1006	4.81	6.01	1517	6.37	8.30	3034	8.25	12.83
90	1.15	7.40	8.60	1-8,10	1006	9.58	11.01	1517	12.74	15.16	-	-	-
91	1.16	6.00	7.00	1-8,10	1004	7.07	8.36	1514	9.44	11.57	3028	11.98	17.42
92	1.16	3.40	4.00	1-6	1002	2.06	3.17	1512	2.53	4.28	3024	2.53	6.39
93	1.16	4.60	5.40	1-6	1000	4.43	5.62	1509	5.85	7.75	3018	7.54	12.00
94	1.16	5.80	6.80	1-8,10	999	6.70	7.98	1507	8.95	11.05	3015	11.46	16.75
95	1.16	9.40	11.00	1-8,10	997	12.98	14.63	1505	16.93	19.86	-	-	-
96	1.17	4.40	5.20	1-6	995	4.05	5.22	1501	5.32	7.19	3001	6.80	11.15
97	1.17	5.60	6.60	1-8,10	995	6.34	7.60	1500	8.46	10.52	3001	10.91	16.04
98	1.17	6.80	8.00	1-8,10	995	8.53	9.90	1500	11.39	13.68	-	-	-
99	1.17	8.00	9.40	1-8,10	995	10.64	12.13	1500	14.09	16.65	-	-	-
100	1.17	5.40	6.40	1-8,10	990	5.97	7.22	1493	7.96	9.99	2986	10.33	15.31

Shaded area diameters are below industry standard for belt.

# BP & BX Belts In B Sheaves

## Drive Selection Tables

CENTER DISTANCE AND COMBINED ARC-LENGTH CORRECTION FACTOR ▲																LINE #
B35	B38	B42	B46	B51	B55	B60	B68	B75	B80	B85	B90	B96	B105	B112	B120	
-	-	-	10.9	13.4	15.4	17.9	21.9	25.4	28.4	30.4	32.9	36.4	40.4	43.9	47.9	51
10.2	11.7	13.7	15.7	18.2	20.2	22.7	26.7	30.2	33.2	35.2	37.7	41.2	45.2	48.7	52.7	52
10.5	12.0	14.0	16.0	18.5	20.5	23.0	27.0	30.5	33.5	35.5	38.0	41.5	45.5	49.0	53.0	53
-	-	9.8	11.8	14.3	16.3	18.8	22.8	26.3	29.3	31.3	33.8	37.3	41.3	44.8	48.8	54
10.9	12.4	14.4	16.4	18.9	20.9	23.4	27.4	30.9	33.9	35.9	38.4	41.9	45.9	49.4	53.4	55
■ 0.82	0.83	0.85	0.87	0.89	0.90	0.92	0.94	0.96	0.98	0.99	1.00	1.01	1.03	1.04	1.05	■
11.2	12.7	14.7	16.7	19.2	21.2	23.7	27.7	31.2	34.2	36.2	38.7	42.2	46.2	49.7	53.7	56
-	-	10.7	12.7	15.2	17.2	19.7	23.7	27.2	30.2	32.2	34.7	38.2	42.2	45.7	49.7	57
11.5	13.0	15.0	17.0	19.5	21.5	24.0	28.0	31.5	34.5	36.5	39.0	42.5	46.5	50.0	54.0	58
-	9.4	11.4	13.4	15.9	17.9	20.4	24.4	27.9	30.9	32.9	35.4	38.9	42.9	46.4	50.4	59
-	-	-	-	12.3	14.3	16.8	20.8	24.3	27.3	29.3	31.8	35.3	39.3	42.8	46.8	60
■ 0.82	0.83	0.85	0.87	0.89	0.90	0.92	0.94	0.96	0.98	0.99	1.00	1.01	1.03	1.04	1.05	■
11.8	13.3	15.3	17.3	19.8	21.8	24.3	28.3	31.8	34.8	36.8	39.3	42.8	46.8	50.3	54.3	61
-	9.7	11.7	13.7	16.2	18.2	20.7	24.7	28.2	31.2	33.2	35.7	39.2	43.2	46.7	50.7	62
8.5	10.0	12.0	14.0	16.5	18.5	21.0	25.0	28.5	31.5	33.5	36.0	39.5	43.5	47.0	51.0	63
12.1	13.6	15.6	17.6	20.1	22.1	24.6	28.6	32.1	35.1	37.1	39.6	43.1	47.1	50.6	54.6	64
8.8	10.3	12.3	14.3	16.8	18.8	21.3	25.3	28.8	31.8	33.8	36.3	39.8	43.8	47.3	51.3	65
■ 0.82	0.83	0.85	0.87	0.89	0.90	0.92	0.94	0.96	0.98	0.99	1.00	1.01	1.03	1.04	1.05	■
12.4	13.9	15.9	17.9	20.4	22.4	24.9	28.9	32.4	35.4	37.4	39.9	43.4	47.4	50.9	54.9	66
9.1	10.6	12.6	14.6	17.1	19.1	21.6	25.6	29.1	32.1	34.1	36.6	40.1	44.1	47.6	51.6	67
9.4	10.9	12.9	14.9	17.4	19.4	21.9	25.9	29.4	32.4	34.4	36.9	40.4	44.4	47.9	51.9	68
12.7	14.2	16.2	18.2	20.7	22.7	25.2	29.2	32.7	35.7	37.7	40.2	43.7	47.7	51.2	55.2	69
9.8	11.3	13.3	15.3	17.8	19.8	22.3	26.3	29.8	32.8	34.8	37.3	40.8	44.8	48.3	52.3	70
■ 0.82	0.83	0.85	0.87	0.89	0.90	0.92	0.94	0.96	0.98	0.99	1.00	1.01	1.03	1.04	1.05	■
10.1	11.6	13.6	15.6	18.1	20.1	22.6	26.6	30.1	33.1	35.1	37.6	41.1	45.1	48.6	52.6	71
-	8.9	10.9	12.9	15.4	17.4	19.9	23.9	27.4	30.4	32.4	34.9	38.4	42.4	45.9	49.9	72
10.4	11.9	13.9	15.9	18.4	20.4	22.9	26.9	30.4	33.4	35.4	37.9	41.4	45.4	48.9	52.9	73
10.7	12.2	14.2	16.2	18.7	20.7	23.2	27.2	30.7	33.7	35.7	38.2	41.7	45.7	49.2	53.2	74
-	9.5	11.5	13.5	16.0	18.0	20.5	24.5	28.0	31.0	33.0	35.5	39.0	43.0	46.5	50.5	75
■ 0.81	0.83	0.85	0.87	0.89	0.90	0.92	0.94	0.96	0.98	0.99	1.00	1.01	1.03	1.04	1.05	■
11.0	12.5	14.5	16.5	19.0	21.0	23.5	27.5	31.0	34.0	36.0	38.5	42.0	46.0	49.5	53.5	76
8.3	9.8	11.8	13.8	16.3	18.3	20.8	24.8	28.3	31.3	33.3	35.8	39.3	43.3	46.8	50.8	77
8.7	10.2	12.2	14.2	16.7	18.7	21.2	25.2	28.7	31.7	33.7	36.2	39.7	43.7	47.2	51.2	78
11.3	12.8	14.8	16.8	19.3	21.3	23.8	27.8	31.3	34.3	36.3	38.8	42.3	46.3	49.8	53.8	79
9.0	10.5	12.5	14.5	17.0	19.0	21.5	25.5	29.0	32.0	34.0	36.5	40.0	44.0	47.5	51.5	80
■ 0.81	0.83	0.85	0.87	0.89	0.90	0.92	0.94	0.96	0.98	0.99	1.00	1.01	1.03	1.04	1.05	■
-	-	10.1	12.1	14.6	16.6	19.1	23.1	26.6	29.6	31.6	34.1	37.6	41.6	45.1	49.1	81
11.6	13.1	15.1	17.1	19.6	21.6	24.1	28.1	31.6	34.6	36.6	39.1	42.6	46.6	50.1	54.1	82
9.3	10.8	12.8	14.8	17.3	19.3	21.8	25.8	29.3	32.3	34.3	36.8	40.3	44.3	47.8	51.8	83
12.0	13.5	15.5	17.5	20.0	22.0	24.5	28.5	32.0	35.0	37.0	39.5	43.0	47.0	50.5	54.5	84
9.6	11.1	13.1	15.1	17.6	19.6	22.1	26.1	29.6	32.6	34.6	37.1	40.6	44.6	48.1	52.1	85
■ 0.81	0.83	0.85	0.87	0.89	0.90	0.92	0.94	0.96	0.98	0.99	1.00	1.01	1.03	1.04	1.05	■
-	9.0	11.1	13.1	15.6	17.6	20.1	24.1	27.6	30.6	32.6	35.1	38.6	42.6	46.1	50.1	86
9.9	11.4	13.4	15.4	17.9	19.9	22.4	26.4	29.9	32.9	34.9	37.4	40.9	44.9	48.4	52.4	87
12.3	13.8	15.8	17.8	20.3	22.3	24.8	28.8	32.3	35.3	37.3	39.8	43.3	47.3	50.8	54.8	88
10.2	11.7	13.7	15.7	18.2	20.2	22.7	26.7	30.2	33.2	35.2	37.7	41.2	45.2	48.7	52.7	89
-	-	-	11.3	13.8	15.8	18.3	22.3	25.8	28.8	30.8	33.3	36.8	40.8	44.3	48.3	90
■ 0.81	0.83	0.85	0.86	0.89	0.90	0.92	0.94	0.96	0.98	0.99	1.00	1.01	1.03	1.04	1.05	■
-	9.7	11.7	13.7	16.2	18.2	20.7	24.7	28.2	31.2	33.2	35.7	39.2	43.2	46.7	50.7	91
12.6	14.1	16.1	18.1	20.6	22.6	25.1	29.1	32.6	35.6	37.6	40.1	43.6	47.6	51.1	55.1	92
10.5	12.0	14.0	16.0	18.5	20.5	23.0	27.0	30.5	33.5	35.5	38.0	41.5	45.5	49.0	53.0	93
8.5	10.0	12.0	14.0	16.5	18.5	21.0	25.0	28.5	31.5	33.5	36.0	39.5	43.5	47.0	51.0	94
-	-	-	-	-	12.4	14.9	18.9	22.4	25.4	27.4	29.9	33.4	37.4	40.9	44.9	95
■ 0.81	0.83	0.85	0.87	0.89	0.90	0.92	0.94	0.96	0.98	0.98	1.00	1.01	1.03	1.04	1.05	■
10.9	12.4	14.4	16.4	18.9	20.9	23.4	27.4	30.9	33.9	35.9	38.4	41.9	45.9	49.4	53.4	96
8.8	10.3	12.3	14.3	16.8	18.8	21.3	25.3	28.8	31.8	33.8	36.3	39.8	43.8	47.3	51.3	97
-	-	10.3	12.3	14.8	16.8	19.3	23.3	26.8	29.8	31.8	34.3	37.8	41.8	45.3	49.3	98
-	-	-	-	12.7	14.7	17.2	21.2	24.7	27.7	29.7	32.2	35.7	39.7	43.2	47.2	99
9.1	10.6	12.6	14.6	17.1	19.1	21.6	25.6	29.1	32.1	34.1	36.6	40.1	44.1	47.6	51.6	100

▲ Not all available belt lengths are shown.

■ Combined Arc-Length correction factors for 5 preceding lines.

# BP & BX Belts In B Sheaves

## Drive Selection Tables

LINE #	RATIO	STOCK SHEAVES			DRIVEN SPEEDS AND HORSEPOWER RATINGS PER BELT								
		Datum Diameter		Number Grooves	1160 RPM			1750 RPM			3500 RPM		
		DR	DN		Driven Speed	H.P. Ratings		Driven Speed	H.P. Ratings		Driven Speed	H.P. Ratings	
						BP	BX		BP	BX		BP	BX
101	1.17	4.20	5.00	1-6	989	3.67	4.83	1491	4.79	6.64	2983	6.03	10.27
102	1.18	5.20	6.20	1-6	985	5.60	6.83	1485	7.46	9.45	2971	9.71	14.56
103	1.18	4.00	4.80	1-6	982	3.29	4.43	1481	4.25	6.07	2963	5.24	9.38
104	1.18	6.20	7.40	1-8,10	982	7.46	8.78	1481	9.97	12.15	2962	12.57	18.18
105	1.18	5.00	6.00	1-6	979	5.23	6.44	1477	6.95	8.91	2954	9.06	13.77
106	1.19	3.80	4.60	1-6	975	2.90	4.03	1471	3.71	5.51	2941	4.42	8.46
107	1.19	4.80	5.80	1-6	973	4.85	6.05	1468	6.43	8.37	2937	8.38	12.97
108	1.19	5.80	7.00	1-8,10	972	6.74	8.02	1467	9.01	11.11	2933	11.57	16.86
109	1.20	3.60	4.40	1-6	967	2.51	3.63	1459	3.17	4.94	2918	3.57	7.52
110	1.20	4.60	5.60	1-6	967	4.47	5.66	1459	5.91	7.82	2918	7.67	12.14
111	1.20	5.60	6.80	1-8,10	967	6.37	7.64	1459	8.51	10.58	2918	11.02	16.15
112	1.20	6.60	8.00	1-8,10	967	8.21	9.56	1459	10.97	13.22	2918	13.53	19.49
113	1.21	5.40	6.60	1-8,10	962	6.00	7.25	1451	8.01	10.05	2901	10.43	15.42
114	1.21	4.40	5.40	1-6	960	4.10	5.27	1449	5.39	7.26	2898	6.93	11.29
115	1.21	3.40	4.20	1-6	959	2.12	3.23	1447	2.62	4.36	2893	2.70	6.56
116	1.21	5.20	6.40	1-6	956	5.63	6.87	1442	7.51	9.51	2884	9.82	14.67
117	1.22	7.00	8.60	1-8,10	954	8.94	10.33	1439	11.93	14.26	-	-	-
118	1.22	4.20	5.20	1-6	953	3.71	4.87	1438	4.86	6.70	2876	6.16	10.41
119	1.22	6.00	7.40	1-8,10	952	7.13	8.43	1436	9.54	11.68	2873	12.18	17.63
120	1.22	5.00	6.20	1-6	950	5.26	6.48	1432	7.00	8.97	2865	9.17	13.89
121	1.23	4.00	5.00	1-6	946	3.33	4.47	1427	4.32	6.14	2853	5.37	9.51
122	1.23	4.80	6.00	1-6	943	4.89	6.09	1423	6.49	8.42	2845	8.49	13.08
123	1.23	5.60	7.00	1-8,10	941	6.40	7.67	1419	8.56	10.62	2839	11.11	16.25
124	1.23	6.40	8.00	1-8,10	939	7.88	9.21	1417	10.54	12.75	2834	13.20	18.98
125	1.24	3.80	4.80	1-6	937	2.94	4.08	1414	3.78	5.58	2829	4.55	8.59
126	1.24	4.60	5.80	1-6	936	4.51	5.70	1412	5.97	7.87	2824	7.78	12.25
127	1.24	5.40	6.80	1-8,10	935	6.04	7.28	1410	8.06	10.09	2821	10.53	15.52
128	1.25	3.60	4.60	1-6	929	2.56	3.67	1401	3.24	5.01	2802	3.71	7.66
129	1.25	4.40	5.60	1-6	929	4.13	5.30	1401	5.44	7.32	2802	7.04	11.40
130	1.25	5.20	6.60	1-6	928	5.67	6.90	1401	7.56	9.55	2801	9.91	14.76
131	1.25	6.80	8.60	1-8,10	928	8.61	9.98	1401	11.51	13.80	-	-	-
132	1.26	7.40	9.40	1-8,10	924	9.68	11.11	1393	12.90	15.31	-	-	-
133	1.26	5.80	7.40	1-8,10	922	6.79	8.08	1392	9.09	11.19	2783	11.75	17.03
134	1.26	5.00	6.40	1-6	922	5.29	6.51	1390	7.05	9.01	2781	9.26	13.98
135	1.26	4.20	5.40	1-6	921	3.75	4.91	1389	4.91	6.76	2777	6.27	10.52
136	1.26	3.40	4.40	1-6	919	2.17	3.27	1386	2.69	4.43	2773	2.84	6.70
137	1.27	8.60	11.00	1-8,10	916	11.75	13.31	1382	15.49	18.20	-	-	-
138	1.27	4.80	6.20	1-6	914	4.92	6.12	1380	6.53	8.47	2759	8.58	13.17
139	1.27	4.00	5.20	1-6	912	3.37	4.51	1376	4.38	6.20	2752	5.48	9.62
140	1.27	6.20	8.00	1-8,10	912	7.54	8.86	1376	10.10	12.27	2751	12.82	18.43
141	1.28	5.40	7.00	1-8,10	910	6.06	7.31	1372	8.10	10.13	2745	10.61	15.59
142	1.28	4.60	6.00	1-6	907	4.54	5.73	1368	6.01	7.92	2736	7.87	12.34
143	1.28	3.80	5.00	1-6	903	2.98	4.11	1362	3.84	5.63	2724	4.66	8.70
144	1.29	5.20	6.80	1-6	903	5.69	6.92	1362	7.60	9.59	2724	9.99	14.84
145	1.29	6.60	8.60	1-8,10	903	8.28	9.63	1362	11.07	13.32	2723	13.74	19.70
146	1.29	4.40	5.80	1-6	899	4.16	5.33	1356	5.49	7.36	2711	7.13	11.49
147	1.30	5.00	6.60	1-6	895	5.32	6.54	1351	7.09	9.05	2701	9.34	14.05
148	1.30	3.60	4.80	1-6	893	2.59	3.71	1347	3.29	5.06	2694	3.81	7.76
149	1.30	5.60	7.40	1-8,10	893	6.45	7.72	1347	8.63	10.70	2694	11.26	16.39
150	1.30	4.20	5.60	1-6	890	3.78	4.94	1343	4.96	6.80	2685	6.36	10.61

Shaded area diameters are below industry standard for belt.



# BP & BX Belts In B Sheaves

## Drive Selection Tables

CENTER DISTANCE AND COMBINED ARC-LENGTH CORRECTION FACTOR ▲																LINE #
B35	B38	B42	B46	B51	B55	B60	B68	B75	B80	B85	B90	B96	B105	B112	B120	
11.2	12.7	14.7	16.7	19.2	21.2	23.7	27.7	31.2	34.2	36.2	38.7	42.2	46.2	49.7	53.7	101
9.4	10.9	12.9	14.9	17.4	19.4	21.9	25.9	29.4	32.4	34.4	36.9	40.4	44.4	47.9	51.9	102
11.5	13.0	15.0	17.0	19.5	21.5	24.0	28.0	31.5	34.5	36.5	39.0	42.5	46.5	50.0	54.0	103
-	9.2	11.2	13.2	15.7	17.7	20.2	24.2	27.7	30.7	32.7	35.2	38.7	42.7	46.2	50.2	104
9.7	11.2	13.3	15.3	17.8	19.8	22.3	26.3	29.8	32.8	34.8	37.3	40.8	44.8	48.3	52.3	105
■ 0.81	0.83	0.85	0.86	0.89	0.90	0.92	0.94	0.96	0.98	0.99	1.00	1.01	1.03	1.04	1.05	■
11.8	13.3	15.3	17.3	19.8	21.8	24.3	28.3	31.8	34.8	36.8	39.3	42.8	46.8	50.3	54.3	106
10.1	11.6	13.6	15.6	18.1	20.1	22.6	26.6	30.1	33.1	35.1	37.6	41.1	45.1	48.6	52.6	107
8.3	9.8	11.8	13.8	16.3	18.3	20.8	24.8	28.3	31.3	33.3	35.8	39.3	43.3	46.8	50.8	108
12.1	13.6	15.6	17.6	20.1	22.1	24.6	28.6	32.1	35.1	37.1	39.6	43.1	47.1	50.6	54.6	109
10.4	11.9	13.9	15.9	18.4	20.4	22.9	26.9	30.4	33.4	35.4	37.9	41.4	45.4	48.9	52.9	110
■ 0.81	0.83	0.85	0.87	0.89	0.90	0.92	0.94	0.96	0.98	0.99	1.00	1.01	1.03	1.04	1.05	■
8.6	10.1	12.1	14.1	16.7	18.7	21.2	25.2	28.7	31.7	33.7	36.2	39.7	43.7	47.2	51.2	111
-	-	10.4	12.4	14.9	16.9	19.4	23.4	26.9	29.9	31.9	34.4	37.9	41.9	45.4	49.4	112
9.0	10.5	12.5	14.5	17.0	19.0	21.5	25.5	29.0	32.0	34.0	36.5	40.0	44.0	47.5	51.5	113
10.7	12.2	14.2	16.2	18.7	20.7	23.2	27.2	30.7	33.7	35.7	38.2	41.7	45.7	49.2	53.2	114
12.4	13.9	15.9	17.9	20.4	22.4	24.9	28.9	32.4	35.4	37.4	39.9	43.4	47.4	50.9	54.9	115
■ 0.81	0.83	0.84	0.86	0.88	0.90	0.92	0.94	0.96	0.98	0.98	1.00	1.01	1.03	1.04	1.05	■
9.3	10.8	12.8	14.8	17.3	19.3	21.8	25.8	29.3	32.3	34.3	36.8	40.3	44.3	47.8	51.8	116
-	-	9.6	11.6	14.1	16.1	18.6	22.6	26.1	29.1	31.1	33.6	37.1	41.1	44.6	48.6	117
11.0	12.5	14.5	16.5	19.0	21.0	23.5	27.5	31.0	34.0	36.0	38.5	42.0	46.0	49.5	53.5	118
-	9.3	11.4	13.4	15.9	17.9	20.4	24.4	27.9	30.9	32.9	35.4	38.9	42.9	46.4	50.4	119
9.6	11.1	13.1	15.1	17.6	19.6	22.1	26.1	29.6	32.6	34.6	37.1	40.6	44.6	48.1	52.1	120
■ 0.81	0.82	0.84	0.86	0.88	0.90	0.92	0.94	0.96	0.97	0.98	1.00	1.01	1.03	1.04	1.05	■
11.3	12.8	14.8	16.8	19.3	21.3	23.8	27.8	31.3	34.3	36.3	38.8	42.3	46.3	49.8	53.8	121
9.9	11.4	13.4	15.4	17.9	19.9	22.4	26.4	29.9	32.9	34.9	37.4	40.9	44.9	48.4	52.4	122
8.5	10.0	12.0	14.0	16.5	18.5	21.0	25.0	28.5	31.5	33.5	36.0	39.5	43.5	47.0	51.0	123
-	-	10.6	12.6	15.1	17.1	19.6	23.6	27.1	30.1	32.1	34.6	38.1	42.1	45.6	49.6	124
11.6	13.1	15.1	17.1	19.6	21.6	24.1	28.1	31.6	34.6	36.6	39.1	42.6	46.6	50.1	54.1	125
■ 0.81	0.83	0.84	0.86	0.88	0.90	0.92	0.94	0.96	0.98	0.98	1.00	1.01	1.03	1.04	1.05	■
10.2	11.7	13.7	15.7	18.2	20.2	22.7	26.7	30.2	33.2	35.2	37.7	41.2	45.2	48.7	52.7	126
8.8	10.3	12.3	14.3	16.8	18.8	21.3	25.3	28.8	31.8	33.8	36.3	39.8	43.8	47.3	51.3	127
11.9	13.5	15.5	17.5	20.0	22.0	24.5	28.5	32.0	35.0	37.0	39.5	43.0	47.0	50.5	54.5	128
10.5	12.0	14.0	16.0	18.5	20.5	23.0	27.0	30.5	33.5	35.5	38.0	41.5	45.5	49.0	53.0	129
9.1	10.6	12.6	14.6	17.1	19.1	21.6	25.6	29.1	32.1	34.1	36.6	40.1	44.1	47.6	51.6	130
■ 0.81	0.82	0.84	0.86	0.88	0.90	0.91	0.94	0.96	0.97	0.98	0.99	1.01	1.02	1.04	1.05	■
-	-	9.8	11.8	14.3	16.3	18.8	22.8	26.3	29.3	31.3	33.8	37.3	41.3	44.8	48.8	131
-	-	-	10.7	13.2	15.2	17.7	21.7	25.2	28.2	30.2	32.7	36.2	40.2	43.7	47.7	132
-	9.5	11.5	13.5	16.0	18.0	20.5	24.5	28.0	31.0	33.0	35.5	39.0	43.0	46.5	50.5	133
9.4	10.9	12.9	14.9	17.4	19.4	21.9	25.9	29.4	32.4	34.4	36.9	40.4	44.4	47.9	51.9	134
10.8	12.3	14.3	16.3	18.9	20.9	23.4	27.4	30.9	33.9	35.9	38.4	41.9	45.9	49.4	53.4	135
■ 0.81	0.82	0.84	0.86	0.88	0.90	0.91	0.94	0.96	0.97	0.98	0.99	1.01	1.02	1.04	1.05	■
12.3	13.8	15.8	17.8	20.3	22.3	24.8	28.8	32.3	35.3	37.3	39.8	43.3	47.3	50.8	54.8	136
-	-	-	-	-	13.0	15.5	19.5	23.0	26.0	28.0	30.5	34.0	38.0	41.5	45.5	137
9.7	11.2	13.2	15.2	17.7	19.7	22.2	26.2	29.7	32.7	34.7	37.2	40.7	44.7	48.2	52.2	138
11.2	12.7	14.7	16.7	19.2	21.2	23.7	27.7	31.2	34.2	36.2	38.7	42.2	46.2	49.7	53.7	139
-	-	10.7	12.7	15.2	17.2	19.7	23.7	27.2	30.2	32.2	34.7	38.2	42.2	45.7	49.7	140
■ 0.81	0.83	0.84	0.86	0.88	0.89	0.91	0.94	0.96	0.97	0.98	0.99	1.01	1.02	1.04	1.05	■
8.6	10.1	12.1	14.1	16.6	18.6	21.1	25.1	28.6	31.6	33.6	36.1	39.6	43.6	47.1	51.1	141
10.1	11.6	13.6	15.6	18.1	20.1	22.6	26.6	30.1	33.1	35.1	37.6	41.1	45.1	48.6	52.6	142
11.5	13.0	15.0	17.0	19.5	21.5	24.0	28.0	31.5	34.5	36.5	39.0	42.5	46.5	50.0	54.0	143
8.9	10.4	12.4	14.4	16.9	18.9	21.4	25.4	28.9	31.9	33.9	36.4	40.0	44.0	47.5	51.5	144
-	-	9.9	11.9	14.4	16.4	18.9	22.9	26.4	29.4	31.4	33.9	37.4	41.4	45.0	49.0	145
■ 0.80	0.82	0.84	0.86	0.88	0.90	0.91	0.94	0.96	0.97	0.98	0.99	1.01	1.03	1.04	1.05	■
10.4	11.9	13.9	15.9	18.4	20.4	22.9	26.9	30.4	33.4	35.4	37.9	41.4	45.4	48.9	52.9	146
9.3	10.8	12.8	14.8	17.3	19.3	21.8	25.8	29.3	32.3	34.3	36.8	40.3	44.3	47.8	51.8	147
11.8	13.3	15.3	17.3	19.8	21.8	24.3	28.3	31.8	34.8	36.8	39.3	42.8	46.8	50.3	54.3	148
-	9.6	11.7	13.7	16.2	18.2	20.7	24.7	28.2	31.2	33.2	35.7	39.2	43.2	46.7	50.7	149
10.7	12.2	14.2	16.2	18.7	20.7	23.2	27.2	30.7	33.7	35.7	38.2	41.7	45.7	49.2	53.2	150
■ 0.81	0.82	0.84	0.86	0.88	0.90	0.91	0.94	0.96	0.97	0.98	1.00	1.01	1.03	1.04	1.05	■

▲ Not all available belt lengths are shown.

■ Combined Arc-Length correction factors for 5 preceding lines.

# BP & BX Belts In B Sheaves

## Drive Selection Tables

LINE #	RATIO	STOCK SHEAVES			DRIVEN SPEEDS AND HORSEPOWER RATINGS PER BELT								
		Datum Diameter		Number Grooves	1160 RPM			1750 RPM			3500 RPM		
		DR	DN		Driven Speed	H.P. Ratings		Driven Speed	H.P. Ratings		Driven Speed	H.P. Ratings	
						BP	BX		BP	BX		BP	BX
151	1.31	9.40	12.40	1-8,10	888	13.10	14.75	1340	17.12	20.04	-	-	-
152	1.31	4.80	6.40	1-6	888	4.94	6.14	1339	6.57	8.51	2678	8.66	13.25
153	1.31	6.00	8.00	1-8,10	884	7.20	8.50	1334	9.64	11.78	2668	12.39	17.84
154	1.31	3.40	4.60	1-6	882	2.20	3.31	1331	2.74	4.48	2662	2.94	6.80
155	1.32	4.00	5.40	1-6	881	3.40	4.54	1329	4.42	6.24	2657	5.57	9.71
156	1.32	4.60	6.20	1-6	879	4.57	5.75	1327	6.05	7.95	2653	7.95	12.41
157	1.32	5.20	7.00	1-6	878	5.71	6.95	1325	7.63	9.63	2650	10.06	14.90
158	1.32	6.40	8.60	1-8,10	877	7.94	9.27	1323	10.63	12.84	2646	13.38	19.16
159	1.32	7.00	9.40	1-8,10	876	9.02	10.41	1322	12.05	14.38	-	-	-
160	1.33	3.80	5.20	1-6	871	3.01	4.14	1314	3.88	5.67	2627	4.75	8.79
161	1.33	4.40	6.00	1-6	871	4.19	5.36	1313	5.52	7.40	2627	7.21	11.56
162	1.33	5.00	6.80	1-6	871	5.34	6.56	1313	7.12	9.08	2627	9.40	14.12
163	1.34	5.40	7.40	1-8,10	863	6.10	7.35	1302	8.16	10.19	2604	10.73	15.72
164	1.35	4.80	6.60	1-6	862	4.97	6.17	1301	6.60	8.54	2602	8.72	13.31
165	1.35	4.20	5.80	1-6	861	3.80	4.96	1299	4.99	6.84	2599	6.44	10.68
166	1.35	3.60	5.00	1-6	860	2.62	3.74	1297	3.33	5.10	2595	3.90	7.84
167	1.35	5.80	8.00	1-8,10	857	6.86	8.14	1292	9.18	11.28	2585	11.93	17.21
168	1.36	8.00	11.00	1-8,10	855	10.79	12.28	1290	14.31	16.87	-	-	-
169	1.36	4.60	6.40	1-6	854	4.59	5.77	1288	6.08	7.99	2575	8.01	12.48
170	1.36	6.80	9.40	1-8,10	853	8.68	10.05	1286	11.61	13.90	-	-	-
171	1.36	4.00	5.60	1-6	851	3.42	4.56	1284	4.46	6.28	2569	5.64	9.78
172	1.36	6.20	8.60	1-8,10	851	7.60	8.91	1284	10.18	12.35	2568	12.98	18.58
173	1.37	3.40	4.80	1-6	848	2.23	3.33	1280	2.78	4.52	2560	3.02	6.88
174	1.37	5.00	7.00	1-6	847	5.36	6.57	1278	7.15	9.11	2556	9.46	14.17
175	1.37	4.40	6.20	1-6	844	4.21	5.38	1274	5.56	7.43	2547	7.27	11.62
176	1.38	3.80	5.40	1-6	841	3.03	4.16	1268	3.92	5.71	2537	4.82	8.86
177	1.38	4.80	6.80	1-6	838	4.98	6.18	1265	6.63	8.56	2530	8.78	13.36
178	1.39	4.20	6.00	1-6	834	3.82	4.98	1259	5.02	6.87	2518	6.50	10.74
179	1.39	5.20	7.40	1-6	833	5.75	6.98	1257	7.68	9.68	2514	10.16	15.01
180	1.40	3.60	5.20	1-6	829	2.64	3.76	1251	3.37	5.13	2502	3.97	7.91
181	1.40	4.60	6.60	1-6	829	4.61	5.79	1251	6.11	8.01	2502	8.07	12.53
182	1.40	5.60	8.00	1-8,10	829	6.50	7.77	1251	8.71	10.77	2502	11.42	16.54
183	1.40	6.60	9.40	1-8,10	829	8.34	9.69	1251	11.17	13.41	2501	13.92	19.88
184	1.41	6.00	8.60	1-8,10	825	7.25	8.54	1245	9.71	11.85	2490	12.53	17.97
185	1.41	4.00	5.80	1-6	824	3.44	4.58	1243	4.49	6.30	2486	5.70	9.84
186	1.42	4.40	6.40	1-6	819	4.23	5.40	1236	5.58	7.46	2473	7.32	11.67
187	1.42	3.40	5.00	1-6	817	2.25	3.35	1233	2.82	4.56	2465	3.09	6.95
188	1.42	8.60	12.40	1-8,10	816	11.83	13.39	1231	15.62	18.32	-	-	-
189	1.42	4.80	7.00	1-6	816	5.00	6.20	1231	6.66	8.59	2461	8.83	13.41
190	1.43	3.80	5.60	1-6	813	3.05	4.18	1226	3.94	5.73	2452	4.88	8.91
191	1.43	9.40	13.60	1-8,10	812	13.16	14.81	1225	17.21	20.13	-	-	-
192	1.43	4.20	6.20	1-6	809	3.84	5.00	1221	5.05	6.89	2441	6.55	10.79
193	1.44	4.60	6.80	1-6	806	4.62	5.80	1216	6.13	8.03	2432	8.11	12.57
194	1.44	6.40	9.40	1-8,10	805	7.99	9.32	1215	10.71	12.92	2430	13.54	19.31
195	1.44	5.00	7.40	1-6	804	5.39	6.60	1212	7.19	9.15	2425	9.55	14.26
196	1.45	5.40	8.00	1-8,10	802	6.15	7.39	1209	8.23	10.26	2418	10.87	15.84
197	1.45	3.60	5.40	1-6	801	2.66	3.78	1208	3.40	5.16	2416	4.03	7.96
198	1.45	5.80	8.60	1-8,10	800	6.90	8.17	1206	9.24	11.34	2413	12.05	17.32
199	1.45	4.00	6.00	1-6	798	3.46	4.60	1204	4.51	6.33	2408	5.75	9.88
200	1.46	4.40	6.60	1-6	796	4.24	5.41	1201	5.61	7.48	2402	7.37	11.71

Shaded area diameters are below industry standard for belt.

# BP & BX Belts In B Sheaves

## Drive Selection Tables

CENTER DISTANCE AND COMBINED ARC-LENGTH CORRECTION FACTOR ▲																LINE #
B35	B38	B42	B46	B51	B55	B60	B68	B75	B80	B85	B90	B96	B105	B112	B120	
-	-	-	-	-	-	13.7	17.7	21.2	24.2	26.2	28.7	32.2	36.2	39.7	43.8	151
9.6	11.1	13.1	15.1	17.6	19.6	22.1	26.1	29.6	32.6	34.6	37.1	40.6	44.6	48.1	52.1	152
-	8.8	10.9	12.9	15.4	17.4	19.9	23.9	27.4	30.4	32.4	34.9	38.4	42.4	45.9	49.9	153
12.1	13.6	15.6	17.6	20.1	22.1	24.6	28.6	32.1	35.1	37.1	39.6	43.1	47.1	50.6	54.6	154
11.0	12.5	14.5	16.5	19.0	21.0	23.5	27.5	31.0	34.0	36.0	38.5	42.0	46.0	49.5	53.5	155
■ 0.81	0.82	0.84	0.86	0.88	0.90	0.91	0.94	0.96	0.97	0.98	0.99	1.01	1.02	1.04	1.05	■
9.9	11.4	13.4	15.4	17.9	19.9	22.4	26.4	29.9	32.9	34.9	37.4	40.9	44.9	48.4	52.4	156
8.8	10.3	12.3	14.3	16.8	18.8	21.3	25.3	28.8	31.8	33.8	36.3	39.8	43.8	47.3	51.3	157
-	-	10.1	12.1	14.6	16.6	19.1	23.1	26.6	29.6	31.6	34.1	37.6	41.6	45.1	49.1	158
-	-	-	11.0	13.5	15.5	18.0	22.0	25.5	28.5	30.5	33.0	36.5	40.5	44.0	48.0	159
11.3	12.8	14.8	16.8	19.3	21.3	23.8	27.8	31.3	34.3	36.3	38.8	42.3	46.3	49.8	53.8	160
■ 0.80	0.82	0.84	0.86	0.88	0.89	0.91	0.94	0.96	0.97	0.98	0.99	1.01	1.02	1.04	1.05	■
10.2	11.7	13.7	15.7	18.2	20.2	22.7	26.7	30.2	33.2	35.2	37.7	41.2	45.2	48.7	52.7	161
9.1	10.6	12.6	14.6	17.1	19.1	21.6	25.6	29.1	32.1	34.1	36.6	40.1	44.1	47.6	51.6	162
8.3	9.8	11.8	13.8	16.3	18.3	20.8	24.8	28.3	31.3	33.3	35.8	39.3	43.3	46.8	50.8	163
9.4	10.9	12.9	14.9	17.4	19.4	21.9	25.9	29.4	32.4	34.4	36.9	40.4	44.4	47.9	51.9	164
10.5	12.0	14.0	16.0	18.5	20.5	23.0	27.0	30.5	33.5	35.5	38.0	41.5	45.5	49.0	53.0	165
■ 0.80	0.82	0.84	0.86	0.88	0.90	0.91	0.94	0.96	0.97	0.98	0.99	1.01	1.02	1.04	1.05	■
11.6	13.1	15.1	17.1	19.6	21.6	24.1	28.1	31.6	34.6	36.6	39.1	42.6	46.6	50.1	54.1	166
-	9.0	11.0	13.0	15.5	17.5	20.0	24.0	27.5	30.5	32.5	35.0	38.5	42.5	46.0	50.0	167
-	-	-	-	11.4	13.4	15.9	19.9	23.4	26.4	28.4	30.9	34.4	38.4	42.0	46.0	168
9.7	11.2	13.2	15.2	17.7	19.7	22.2	26.2	29.7	32.7	34.7	37.2	40.8	44.8	48.3	52.3	169
-	-	-	11.1	13.6	15.6	18.1	22.1	25.6	28.6	30.6	33.2	36.7	40.7	44.2	48.2	170
■ 0.80	0.82	0.84	0.85	0.87	0.89	0.91	0.93	0.95	0.97	0.98	0.99	1.01	1.02	1.04	1.05	■
10.8	12.3	14.3	16.3	18.8	20.8	23.3	27.3	30.8	33.9	35.9	38.4	41.9	45.9	49.4	53.4	171
-	-	10.2	12.2	14.7	16.7	19.2	23.2	26.7	29.8	31.8	34.3	37.8	41.8	45.3	49.3	172
11.9	13.4	15.4	17.4	19.9	21.9	24.4	28.5	32.0	35.0	37.0	39.5	43.0	47.0	50.5	54.5	173
8.9	10.4	12.4	14.4	16.9	18.9	21.5	25.5	29.0	32.0	34.0	36.5	40.0	44.0	47.5	51.5	174
10.0	11.5	13.5	15.5	18.1	20.1	22.6	26.6	30.1	33.1	35.1	37.6	41.1	45.1	48.6	52.6	175
■ 0.80	0.82	0.84	0.86	0.88	0.89	0.91	0.94	0.96	0.97	0.98	0.99	1.01	1.02	1.04	1.05	■
11.1	12.6	14.7	16.7	19.2	21.2	23.7	27.7	31.2	34.2	36.2	38.7	42.2	46.2	49.7	53.7	176
9.2	10.7	12.8	14.8	17.3	19.3	21.8	25.8	29.3	32.3	34.3	36.8	40.3	44.3	47.8	51.8	177
10.3	11.9	13.9	15.9	18.4	20.4	22.9	26.9	30.4	33.4	35.4	37.9	41.4	45.4	48.9	52.9	178
8.4	9.9	12.0	14.0	16.5	18.5	21.0	25.0	28.5	31.5	33.5	36.0	39.5	43.5	47.0	51.0	179
11.5	13.0	15.0	17.0	19.5	21.5	24.0	28.0	31.5	34.5	36.5	39.0	42.5	46.5	50.0	54.0	180
■ 0.80	0.82	0.84	0.86	0.88	0.90	0.91	0.94	0.96	0.97	0.98	0.99	1.01	1.02	1.04	1.05	■
9.6	11.1	13.1	15.1	17.6	19.6	22.1	26.1	29.6	32.6	34.6	37.1	40.6	44.6	48.1	52.1	181
-	9.1	11.2	13.2	15.7	17.7	20.2	24.2	27.7	30.7	32.7	35.2	38.7	42.7	46.2	50.2	182
-	-	-	11.2	13.8	15.8	18.3	22.3	25.8	28.8	30.8	33.3	36.8	40.8	44.3	48.3	183
-	-	10.4	12.4	14.9	16.9	19.4	23.4	26.9	29.9	31.9	34.4	37.9	41.9	45.4	49.4	184
10.7	12.2	14.2	16.2	18.7	20.7	23.2	27.2	30.7	33.7	35.7	38.2	41.7	45.7	49.2	53.2	185
■ 0.80	0.81	0.83	0.85	0.87	0.89	0.91	0.93	0.95	0.97	0.98	0.99	1.01	1.02	1.04	1.05	■
9.9	11.4	13.4	15.4	17.9	19.9	22.4	26.4	29.9	32.9	34.9	37.4	40.9	44.9	48.4	52.4	186
11.8	13.3	15.3	17.3	19.8	21.8	24.3	28.3	31.8	34.8	36.8	39.3	42.8	46.8	50.3	54.3	187
-	-	-	-	-	-	14.3	18.3	21.8	24.8	26.8	29.3	32.9	36.9	40.4	44.4	188
9.1	10.6	12.6	14.6	17.1	19.1	21.6	25.6	29.1	32.1	34.1	36.6	40.1	44.1	47.6	51.6	189
11.0	12.5	14.5	16.5	19.0	21.0	23.5	27.5	31.0	34.0	36.0	38.5	42.0	46.0	49.5	53.5	190
■ 0.80	0.82	0.84	0.86	0.88	0.89	0.91	0.93	0.95	0.97	0.98	0.99	1.01	1.02	1.04	1.05	■
-	-	-	-	-	-	-	16.7	20.2	23.2	25.2	27.8	31.3	35.3	38.8	42.8	191
10.2	11.7	13.7	15.7	18.2	20.2	22.7	26.7	30.2	33.2	35.2	37.7	41.2	45.2	48.7	52.7	192
9.4	10.9	12.9	14.9	17.4	19.4	21.9	25.9	29.4	32.4	34.4	36.9	40.4	44.4	47.9	51.9	193
-	-	-	11.4	13.9	15.9	18.4	22.4	25.9	29.0	31.0	33.5	37.0	41.0	44.5	48.5	194
8.6	10.1	12.1	14.1	16.6	18.6	21.1	25.1	28.6	31.6	33.6	36.1	39.6	43.6	47.1	51.1	195
■ 0.79	0.81	0.84	0.85	0.87	0.89	0.91	0.93	0.95	0.97	0.98	0.99	1.00	1.02	1.03	1.05	■
-	9.3	11.3	13.3	15.8	17.8	20.3	24.3	27.8	30.8	32.8	35.4	38.9	42.9	46.4	50.4	196
11.3	12.8	14.8	16.8	19.3	21.3	23.8	27.8	31.3	34.3	36.3	38.8	42.3	46.3	49.8	53.8	197
-	-	10.5	12.5	15.0	17.0	19.5	23.5	27.1	30.1	32.1	34.6	38.1	42.1	45.6	49.6	198
10.5	12.0	14.0	16.0	18.5	20.5	23.0	27.0	30.5	33.5	35.5	38.0	41.5	45.5	49.0	53.0	199
9.7	11.2	13.2	15.2	17.7	19.7	22.2	26.2	29.7	32.7	34.7	37.2	40.7	44.7	48.2	52.2	200
■ 0.80	0.81	0.83	0.85	0.88	0.89	0.91	0.94	0.96	0.97	0.98	0.99	1.01	1.02	1.04	1.05	■

▲ Not all available belt lengths are shown.

■ Combined Arc-Length correction factors for 5 preceding lines.

# BP & BX Belts In B Sheaves

## Drive Selection Tables

LINE #	RATIO	STOCK SHEAVES			DRIVEN SPEEDS AND HORSEPOWER RATINGS PER BELT								
		Datum Diameter		Number Grooves	1160 RPM			1750 RPM			3500 RPM		
		DR	DN		Driven Speed	H.P. Ratings		Driven Speed	H.P. Ratings		Driven Speed	H.P. Ratings	
						BP	BX		BP	BX		BP	BX
201	1.46	7.40	11.00	1-8,10	794	9.79	11.21	1198	13.05	15.47	-	-	-
202	1.47	3.40	5.20	1-6	788	2.27	3.37	1189	2.84	4.58	2378	3.15	7.00
203	1.47	3.80	5.80	1-6	787	3.07	4.20	1187	3.97	5.76	2373	4.93	8.96
204	1.48	4.20	6.40	1-6	785	3.86	5.01	1185	5.07	6.91	2370	6.60	10.83
205	1.48	4.60	7.00	1-6	784	4.63	5.82	1183	6.15	8.05	2367	8.15	12.61
206	1.48	6.20	9.40	1-8,10	782	7.64	8.95	1179	10.25	12.41	2359	13.12	18.72
207	1.50	3.60	5.60	1-6	774	2.68	3.79	1168	3.42	5.18	2336	4.07	8.01
208	1.50	4.00	6.20	1-6	774	3.47	4.61	1168	4.53	6.35	2336	5.79	9.92
209	1.50	4.40	6.80	1-6	774	4.25	5.42	1168	5.62	7.49	2335	7.41	11.75
210	1.50	4.80	7.40	1-6	774	5.02	6.22	1168	6.69	8.62	2335	8.90	13.48
211	1.50	5.20	8.00	1-6	774	5.79	7.01	1168	7.74	9.73	2335	10.28	15.11
212	1.50	5.60	8.60	1-8,10	774	6.54	7.80	1168	8.76	10.82	2335	11.52	16.64
213	1.52	4.20	6.60	1-6	763	3.87	5.02	1151	5.09	6.93	2302	6.63	10.86
214	1.52	3.80	6.00	1-6	762	3.08	4.21	1150	3.99	5.78	2299	4.97	8.99
215	1.52	8.00	12.40	1-8,10	762	10.85	12.33	1149	14.40	16.95	-	-	-
216	1.52	3.40	5.40	1-6	761	2.28	3.38	1148	2.87	4.60	2296	3.19	7.04
217	1.53	6.00	9.40	1-8,10	758	7.29	8.58	1144	9.78	11.90	2287	12.66	18.08
218	1.54	7.00	11.00	1-8,10	753	9.10	10.49	1137	12.17	14.50	-	-	-
219	1.54	4.40	7.00	1-6	753	4.26	5.43	1136	5.64	7.51	2272	7.44	11.78
220	1.54	4.00	6.40	1-6	751	3.48	4.62	1134	4.55	6.36	2267	5.83	9.96
221	1.55	3.60	5.80	1-6	749	2.69	3.80	1130	3.44	5.20	2261	4.11	8.04
222	1.55	5.40	8.60	1-8,10	748	6.18	7.42	1129	8.27	10.30	2257	10.96	15.93
223	1.55	5.00	8.00	1-6	746	5.42	6.63	1126	7.24	9.20	2252	9.65	14.35
224	1.55	8.60	13.60	1-8,10	746	11.87	13.43	1126	15.68	18.38	-	-	-
225	1.56	4.60	7.40	1-6	744	4.66	5.84	1123	6.19	8.08	2246	8.22	12.67
226	1.56	4.20	6.80	1-6	742	3.88	5.03	1119	5.11	6.95	2238	6.66	10.89
227	1.57	3.80	6.20	1-6	739	3.09	4.22	1115	4.01	5.79	2230	5.00	9.03
228	1.58	3.40	5.60	1-6	736	2.30	3.40	1110	2.88	4.62	2219	3.23	7.07
229	1.58	5.80	9.40	1-8,10	734	6.93	8.21	1108	9.30	11.39	2216	12.15	17.42
230	1.58	6.80	11.00	1-8,10	733	8.75	10.12	1106	11.72	14.00	-	-	-
231	1.59	4.00	6.60	1-6	730	3.49	4.63	1101	4.57	6.38	2202	5.86	9.98
232	1.60	3.60	6.00	1-6	726	2.70	3.81	1095	3.46	5.21	2190	4.14	8.07
233	1.61	5.20	8.60	1-6	722	5.81	7.04	1090	7.78	9.77	2180	10.35	15.18
234	1.61	4.20	7.00	1-6	722	3.89	5.04	1089	5.12	6.96	2178	6.69	10.92
235	1.61	9.40	15.40	1-8,10	720	13.21	14.86	1086	17.28	20.20	-	-	-
236	1.61	4.80	8.00	1-6	719	5.05	6.25	1084	6.73	8.66	2169	8.98	13.55
237	1.62	3.80	6.40	1-6	717	3.10	4.23	1082	4.02	5.80	2164	5.03	9.05
238	1.62	4.40	7.40	1-6	715	4.28	5.45	1078	5.67	7.53	2156	7.49	11.83
239	1.63	6.60	11.00	1-8,10	713	8.40	9.75	1075	11.26	13.50	2151	14.11	20.05
240	1.63	3.40	5.80	1-6	712	2.31	3.40	1074	2.90	4.63	2148	3.26	7.10
241	1.63	5.60	9.40	1-8,10	711	6.57	7.83	1072	8.81	10.86	2145	11.61	16.72
242	1.63	4.00	6.80	1-6	710	3.50	4.64	1071	4.58	6.39	2141	5.89	10.01
243	1.64	7.40	12.40	1-8,10	707	9.83	11.25	1067	13.12	15.53	-	-	-
244	1.65	3.60	6.20	1-6	704	2.71	3.82	1062	3.47	5.23	2124	4.17	8.10
245	1.66	3.80	6.60	1-6	697	3.11	4.23	1051	4.03	5.82	2103	5.05	9.07
246	1.67	5.00	8.60	1-6	697	5.44	6.65	1051	7.27	9.23	2102	9.71	14.41
247	1.67	8.00	13.60	1-8,10	696	10.88	12.36	1051	14.45	16.99	-	-	-
248	1.67	9.40	16.00	1-8,10	694	13.22	14.86	1046	17.30	20.21	-	-	-
249	1.68	6.40	11.00	1-8,10	692	8.05	9.37	1045	10.79	12.99	2089	13.71	19.47
250	1.68	4.60	8.00	1-6	691	4.68	5.86	1043	6.22	8.11	2086	8.28	12.73

Shaded area diameters are below industry standard for belt.

# BP & BX BELTS IN B SHEAVES

## Drive Selection Tables

CENTER DISTANCE AND COMBINED ARC-LENGTH CORRECTION FACTOR ▲																LINE #	
B35	B38	B42	B46	B51	B55	B60	B68	B75	B80	B85	B90	B96	B105	B112	B120		
-	-	-	-	11.8	13.8	16.3	20.4	23.9	26.9	28.9	31.4	34.9	38.9	42.4	46.4	201	
11.6	13.1	15.1	17.1	19.6	21.6	24.1	28.1	31.6	34.6	36.6	39.1	42.6	46.6	50.1	54.1	202	
10.8	12.3	14.3	16.3	18.8	20.8	23.3	27.3	30.8	33.8	35.8	38.3	41.8	45.8	49.4	53.4	203	
10.0	11.5	13.5	15.5	18.0	20.0	22.5	26.6	30.1	33.1	35.1	37.6	41.1	45.1	48.6	52.6	204	
9.2	10.7	12.7	14.7	17.2	19.3	21.8	25.8	29.3	32.3	34.3	36.8	40.3	44.3	47.8	51.8	205	
■ 0.80	0.82	0.84	0.86	0.87	0.89	0.91	0.93	0.95	0.97	0.98	0.99	1.01	1.02	1.04	1.05	■	
-	-	-	11.5	14.1	16.1	18.6	22.6	26.1	29.1	31.1	33.6	37.1	41.1	44.6	48.6	206	
11.1	12.6	14.6	16.6	19.1	21.2	23.7	27.7	31.2	34.2	36.2	38.7	42.2	46.2	49.7	53.7	207	
10.3	11.8	13.8	15.9	18.4	20.4	22.9	26.9	30.4	33.4	35.4	37.9	41.4	45.4	48.9	52.9	208	
9.5	11.0	13.0	15.1	17.6	19.6	22.1	26.1	29.6	32.6	34.6	37.1	40.6	44.6	48.1	52.1	209	
8.7	10.2	12.2	14.3	16.8	18.8	21.3	25.3	28.8	31.8	33.8	36.3	39.8	43.8	47.3	51.3	210	
■ 0.79	0.81	0.84	0.85	0.87	0.89	0.91	0.93	0.95	0.97	0.98	0.99	1.01	1.02	1.04	1.05	■	
-	9.4	11.4	13.5	16.0	18.0	20.5	24.5	28.0	31.0	33.0	35.5	39.0	43.0	46.5	50.5	211	
-	-	10.6	12.7	15.2	17.2	19.7	23.7	27.2	30.2	32.2	34.7	38.2	42.2	45.7	49.7	212	
9.8	11.4	13.4	15.4	17.9	19.9	22.4	26.4	29.9	32.9	34.9	37.4	40.9	44.9	48.4	52.4	213	
10.6	12.2	14.2	16.2	18.7	20.7	23.2	27.2	30.7	33.7	35.7	38.2	41.7	45.7	49.2	53.2	214	
-	-	-	-	-	12.2	14.7	18.7	22.3	25.3	27.3	29.8	33.3	37.3	40.8	44.8	215	
■ 0.80	0.81	0.83	0.85	0.87	0.88	0.90	0.93	0.95	0.97	0.98	0.99	1.00	1.02	1.03	1.05	■	
11.4	12.9	15.0	17.0	19.5	21.5	24.0	28.0	31.5	34.5	36.5	39.0	42.5	46.5	50.0	54.0	216	
-	-	9.7	11.7	14.2	16.2	18.7	22.7	26.2	29.3	31.3	33.8	37.3	41.3	44.8	48.8	217	
-	-	-	-	12.1	14.1	16.6	20.7	24.2	27.2	29.2	31.7	35.2	39.2	42.7	46.7	218	
9.4	10.9	12.9	14.9	17.4	19.4	21.9	25.9	29.4	32.4	34.4	36.9	40.4	44.4	47.9	51.9	219	
10.2	11.7	13.7	15.7	18.2	20.2	22.7	26.7	30.2	33.2	35.2	37.7	41.2	45.2	48.7	52.7	220	
■ 0.80	0.81	0.83	0.85	0.87	0.89	0.90	0.93	0.95	0.97	0.98	0.99	1.00	1.02	1.03	1.05	■	
11.0	12.5	14.5	16.5	19.0	21.0	23.5	27.5	31.0	34.0	36.0	38.5	42.0	46.0	49.5	53.5	221	
-	8.8	10.8	12.8	15.3	17.3	19.8	23.9	27.4	30.4	32.4	34.9	38.4	42.4	45.9	49.9	222	
-	9.6	11.6	13.6	16.1	18.1	20.6	24.6	28.1	31.2	33.2	35.7	39.2	43.2	46.7	50.7	223	
-	-	-	-	-	-	-	13.2	17.3	20.8	23.8	25.8	28.4	31.9	35.9	39.4	43.4	224
8.9	10.4	12.4	14.4	16.9	18.9	21.4	25.4	28.9	31.9	33.9	36.4	40.0	44.0	47.5	51.5	225	
■ 0.79	0.80	0.83	0.85	0.87	0.89	0.90	0.93	0.95	0.97	0.98	0.99	1.00	1.02	1.03	1.05	■	
9.7	11.2	13.2	15.2	17.7	19.7	22.2	26.2	29.7	32.7	34.7	37.2	40.7	44.7	48.2	52.2	226	
10.5	12.0	14.0	16.0	18.5	20.5	23.0	27.0	30.5	33.5	35.5	38.0	41.5	45.5	49.0	53.0	227	
11.3	12.8	14.8	16.8	19.3	21.3	23.8	27.8	31.3	34.3	36.3	38.8	42.3	46.3	49.8	53.8	228	
-	-	9.8	11.8	14.3	16.4	18.9	22.9	26.4	29.4	31.4	33.9	37.4	41.4	44.9	48.9	229	
-	-	-	-	12.2	14.3	16.8	20.8	24.3	27.3	29.3	31.9	35.4	39.4	42.9	46.9	230	
■ 0.80	0.81	0.83	0.85	0.87	0.88	0.90	0.93	0.95	0.97	0.98	0.99	1.00	1.02	1.03	1.05	■	
10.0	11.5	13.5	15.5	18.0	20.0	22.5	26.5	30.0	33.0	35.1	37.6	41.1	45.1	48.6	52.6	231	
10.8	12.3	14.3	16.3	18.8	20.8	23.3	27.3	30.8	33.8	35.8	38.3	41.8	45.8	49.3	53.3	232	
-	8.9	10.9	12.9	15.5	17.5	20.0	24.0	27.5	30.5	32.5	35.0	38.5	42.5	46.0	50.0	233	
9.5	11.0	13.0	15.0	17.5	19.6	22.1	26.1	29.6	32.6	34.6	37.1	40.6	44.6	48.1	52.1	234	
-	-	-	-	-	-	-	15.1	18.7	21.7	23.7	26.3	29.8	33.8	37.3	41.3	235	
■ 0.79	0.81	0.83	0.85	0.87	0.89	0.91	0.92	0.95	0.96	0.97	0.99	1.00	1.02	1.03	1.05	■	
8.2	9.7	11.7	13.8	16.3	18.3	20.8	24.8	28.3	31.3	33.3	35.8	39.3	43.3	46.8	50.8	236	
10.3	11.8	13.8	15.8	18.3	20.3	22.9	26.9	30.4	33.4	35.4	37.9	41.4	45.4	48.9	52.9	237	
9.0	10.5	12.5	14.6	17.1	19.1	21.6	25.6	29.1	32.1	34.1	36.6	40.1	44.1	47.6	51.6	238	
-	-	-	-	12.4	14.4	16.9	21.0	24.5	27.5	29.5	32.0	35.5	39.5	43.0	47.0	239	
11.1	12.6	14.6	16.6	19.1	21.1	23.6	27.6	31.2	34.2	36.2	38.7	42.2	46.2	49.7	53.7	240	
■ 0.79	0.81	0.83	0.85	0.87	0.88	0.90	0.93	0.95	0.97	0.98	0.99	1.00	1.02	1.03	1.05	■	
-	-	9.9	12.0	14.5	16.5	19.0	23.0	26.6	29.6	31.6	34.1	37.6	41.6	45.1	49.1	241	
9.8	11.3	13.3	15.4	17.9	19.9	22.4	26.4	29.9	32.9	34.9	37.4	40.9	44.9	48.4	52.4	242	
-	-	-	-	12.6	15.1	19.2	22.7	25.7	28.7	30.7	33.2	36.7	40.7	44.2	48.2	243	
10.6	12.1	14.1	16.2	18.7	20.7	23.2	27.2	30.7	33.7	35.7	38.2	41.7	45.7	49.2	53.2	244	
10.1	11.6	13.7	15.7	18.2	20.2	22.7	26.7	30.2	33.2	35.2	37.7	41.2	45.2	48.7	52.7	245	
■ 0.79	0.81	0.83	0.85	0.87	0.88	0.90	0.93	0.95	0.97	0.98	0.99	1.00	1.02	1.03	1.05	■	
-	9.0	11.1	13.1	15.6	17.6	20.1	24.2	27.7	30.7	32.7	35.2	38.7	42.7	46.2	50.2	246	
-	-	-	-	-	-	13.6	17.7	21.3	24.3	26.3	28.8	32.3	36.3	39.8	43.8	247	
-	-	-	-	-	-	-	14.6	18.2	21.2	23.2	25.7	29.3	33.3	36.8	40.8	248	
-	-	-	-	12.5	14.6	17.1	21.1	24.6	27.6	29.6	32.2	35.7	39.7	43.2	47.2	249	
8.3	9.9	11.9	13.9	16.4	18.4	20.9	24.9	28.5	31.5	33.5	36.0	39.5	43.5	47.0	51.0	250	
■ 0.77	0.79	0.82	0.84	0.86	0.88	0.89	0.91	0.94	0.96	0.97	0.98	1.00	1.01	1.03	1.04	■	

▲ Not all available belt lengths are shown.

■ Combined Arc-Length correction factors for 5 preceding lines.

# BP & BX Belts In B Sheaves

## Drive Selection Tables

LINE #	RATIO	STOCK SHEAVES			DRIVEN SPEEDS AND HORSEPOWER RATINGS PER BELT								
		Datum Diameter		Number Grooves	1160 RPM			1750 RPM			3500 RPM		
		DR	DN		Driven Speed	H.P. Ratings		Driven Speed	H.P. Ratings		Driven Speed	H.P. Ratings	
						BP	BX		BP	BX		BP	BX
251	1.68	4.00	7.00	1-6	691	3.51	4.65	1042	4.59	6.40	2084	5.91	10.03
252	1.68	3.40	6.00	1-6	690	2.32	3.41	1041	2.91	4.64	2081	3.29	7.12
253	1.69	5.40	9.40	1-8,10	687	6.20	7.44	1037	8.31	10.33	2073	11.03	16.00
254	1.69	4.20	7.40	1-6	685	3.90	5.05	1033	5.14	6.98	2066	6.74	10.96
255	1.70	3.60	6.40	1-6	683	2.72	3.83	1031	3.48	5.24	2062	4.20	8.12
256	1.71	3.80	6.80	1-6	678	3.12	4.24	1022	4.04	5.82	2044	5.08	9.09
257	1.73	6.20	11.00	1-8,10	672	7.69	9.00	1014	10.32	12.48	2028	13.27	18.85
258	1.73	7.00	12.40	1-8,10	671	9.14	10.52	1012	12.22	14.54	-	-	-
259	1.73	4.80	8.60	1-6	671	5.07	6.26	1012	6.76	8.68	2024	9.04	13.60
260	1.73	3.40	6.20	1-6	669	2.32	3.42	1009	2.92	4.65	2018	3.31	7.14
261	1.75	3.60	6.60	1-6	664	2.73	3.83	1001	3.49	5.25	2003	4.22	8.14
262	1.75	4.40	8.00	1-6	664	4.30	5.46	1001	5.70	7.56	2002	7.55	11.88
263	1.75	5.20	9.40	1-6	664	5.83	7.06	1001	7.81	9.80	2002	10.42	15.24
264	1.75	8.60	15.40	1-8,10	661	11.91	13.46	997	15.73	18.42	-	-	-
265	1.76	3.80	7.00	1-6	659	3.12	4.25	995	4.05	5.83	1989	5.09	9.11
266	1.77	4.00	7.40	1-6	655	3.52	4.66	988	4.61	6.41	1977	5.95	10.06
267	1.78	6.80	12.40	1-8,10	653	8.78	10.15	985	11.77	14.04	-	-	-
268	1.78	6.00	11.00	1-8,10	652	7.33	8.62	983	9.84	11.96	1967	12.79	18.20
269	1.79	3.40	6.40	1-6	649	2.33	3.42	979	2.93	4.66	1959	3.33	7.16
270	1.79	7.40	13.60	1-8,10	647	9.85	11.27	976	13.15	15.55	-	-	-
271	1.80	3.60	6.80	1-6	645	2.73	3.84	974	3.50	5.25	1947	4.23	8.15
272	1.80	4.60	8.60	1-6	645	4.69	5.87	973	6.24	8.13	1947	8.33	12.77
273	1.81	5.00	9.40	1-6	640	5.46	6.67	965	7.30	9.25	1931	9.77	14.46
274	1.82	8.60	16.00	1-8,10	637	11.91	13.46	961	15.74	18.43	-	-	-
275	1.82	4.20	8.00	1-6	636	3.92	5.07	960	5.17	7.00	1919	6.78	11.00
276	1.83	6.60	12.40	1-8,10	635	8.43	9.77	958	11.30	13.54	1916	14.20	20.12
277	1.84	5.80	11.00	1-8,10	631	6.97	8.24	953	9.35	11.44	1905	12.27	17.52
278	1.84	3.40	6.60	1-6	631	2.33	3.43	951	2.94	4.67	1903	3.35	7.17
279	1.85	3.60	7.00	1-6	628	2.74	3.84	947	3.51	5.26	1895	4.25	8.16
280	1.85	3.80	7.40	1-6	626	3.13	4.25	944	4.07	5.85	1887	5.13	9.13
281	1.87	4.40	8.60	1-6	619	4.31	5.47	935	5.72	7.57	1869	7.59	11.91
282	1.88	8.00	15.40	1-8,10	617	10.90	12.38	931	14.49	17.03	-	-	-
283	1.88	6.40	12.40	1-8,10	617	8.07	9.40	931	10.83	13.03	1861	13.78	19.53
284	1.88	4.80	9.40	1-6	616	5.09	6.28	930	6.79	8.70	1859	9.09	13.64
285	1.89	7.00	13.60	1-8,10	614	9.15	10.53	926	12.25	14.57	-	-	-
286	1.89	3.40	6.80	1-6	613	2.34	3.43	925	2.95	4.67	1850	3.36	7.18
287	1.90	5.60	11.00	1-8,10	611	6.60	7.85	922	8.86	10.90	1844	11.71	16.81
288	1.91	4.00	8.00	1-6	608	3.53	4.67	918	4.63	6.43	1836	5.99	10.09
289	1.92	9.40	18.40	1-8,10	605	13.25	14.89	913	17.34	20.25	-	-	-
290	1.94	6.20	12.40	1-8,10	599	7.71	9.02	903	10.35	12.51	1806	13.33	18.90
291	1.94	6.80	13.60	1-8,10	597	8.80	10.16	901	11.79	14.06	-	-	-
292	1.94	3.40	7.00	1-6	597	2.34	3.44	900	2.96	4.68	1800	3.37	7.20
293	1.95	3.60	7.40	1-6	596	2.74	3.85	899	3.52	5.27	1798	4.27	8.19
294	1.95	8.00	16.00	1-8,10	595	10.91	12.39	897	14.49	17.03	-	-	-
295	1.95	4.20	8.60	1-6	594	3.93	5.08	896	5.18	7.01	1791	6.82	11.03
296	1.96	4.60	9.40	1-6	593	4.71	5.88	894	6.26	8.15	1788	8.37	12.80
297	1.96	5.40	11.00	1-8,10	591	6.23	7.47	891	8.36	10.37	1783	11.12	16.07
298	2.00	3.80	8.00	1-6	581	3.15	4.26	876	4.09	5.86	1753	5.16	9.16
299	2.00	6.00	12.40	1-8,10	581	7.35	8.64	876	9.87	11.98	1752	12.84	18.25
300	2.00	6.60	13.60	1-8,10	581	8.44	9.78	876	11.32	13.55	1752	14.24	20.16

Shaded area diameters are below industry standard for belt.



# BP & BX Belts In B Sheaves

## Drive Selection Tables

CENTER DISTANCE AND COMBINED ARC-LENGTH CORRECTION FACTOR ▲																LINE #
B35	B38	B42	B46	B51	B55	B60	B68	B75	B80	B85	B90	B96	B105	B112	B120	
9.6	11.2	13.2	15.2	17.7	19.7	22.2	26.2	29.7	32.7	34.7	37.2	40.7	44.7	48.2	52.2	251
10.9	12.4	14.5	16.5	19.0	21.0	23.5	27.5	31.0	34.0	36.0	38.5	42.0	46.0	49.5	53.5	252
-	-	10.1	12.1	14.6	16.7	19.2	23.2	26.7	29.7	31.7	34.2	37.7	41.7	45.2	49.2	253
9.1	10.7	12.7	14.7	17.2	19.2	21.7	25.7	29.2	32.2	34.3	36.8	40.3	44.3	47.8	51.8	254
10.5	12.0	14.0	16.0	18.5	20.5	23.0	27.0	30.5	33.5	35.5	38.0	41.5	45.5	49.0	53.0	255
■ 0.79	0.81	0.83	0.85	0.87	0.89	0.90	0.93	0.95	0.97	0.98	0.99	1.00	1.02	1.03	1.05	■
10.0	11.5	13.5	15.5	18.0	20.0	22.5	26.5	30.0	33.0	35.0	37.5	41.0	45.0	48.6	52.6	256
-	-	-	-	12.7	14.7	17.2	21.3	24.8	27.8	29.8	32.3	35.8	39.8	43.3	47.3	257
-	-	-	-	-	12.9	15.4	19.5	23.0	26.0	28.0	30.5	34.1	38.1	41.6	45.6	258
-	9.2	11.2	13.2	15.8	17.8	20.3	24.3	27.8	30.8	32.8	35.3	38.8	42.8	46.3	50.3	259
10.8	12.3	14.3	16.3	18.8	20.8	23.3	27.3	30.8	33.8	35.8	38.3	41.8	45.8	49.3	53.3	260
■ 0.79	0.80	0.83	0.85	0.86	0.87	0.90	0.92	0.95	0.96	0.97	0.98	1.00	1.02	1.03	1.04	■
10.3	11.8	13.8	15.8	18.3	20.3	22.8	26.8	30.4	33.4	35.4	37.9	41.4	45.4	48.9	52.9	261
8.5	10.0	12.0	14.0	16.6	18.6	21.1	25.1	28.6	31.6	33.6	36.1	39.6	43.6	47.1	51.1	262
-	-	10.2	12.3	14.8	16.8	19.3	23.3	26.9	29.9	31.9	34.4	37.9	41.9	45.4	49.4	263
-	-	-	-	-	-	-	15.7	19.3	22.3	24.3	26.8	30.4	34.4	37.9	41.9	264
9.8	11.3	13.3	15.3	17.8	19.9	22.4	26.4	29.9	32.9	34.9	37.4	40.9	44.9	48.4	52.4	265
■ 0.78	0.80	0.82	0.84	0.87	0.88	0.90	0.92	0.94	0.96	0.97	0.98	1.00	1.02	1.03	1.04	■
9.3	10.8	12.8	14.8	17.4	19.4	21.9	25.9	29.4	32.4	34.4	36.9	40.4	44.4	47.9	51.9	266
-	-	-	-	-	13.0	15.6	19.6	23.2	26.2	28.2	30.7	34.2	38.2	41.7	45.7	267
-	-	-	-	12.8	14.8	17.4	21.4	24.9	27.9	29.9	32.5	36.0	40.0	43.5	47.5	268
10.6	12.1	14.1	16.1	18.6	20.6	23.2	27.2	30.7	33.7	35.7	38.2	41.7	45.7	49.2	53.2	269
-	-	-	-	-	-	14.1	18.1	21.7	24.7	26.7	29.2	32.8	36.8	40.3	44.3	270
■ 0.78	0.80	0.83	0.85	0.86	0.87	0.89	0.92	0.94	0.96	0.97	0.98	1.00	1.01	1.03	1.04	■
10.1	11.6	13.6	15.7	18.2	20.2	22.7	26.7	30.2	33.2	35.2	37.7	41.2	45.2	48.7	52.7	271
-	9.3	11.4	13.4	15.9	17.9	20.4	24.5	28.0	31.0	33.0	35.5	39.0	43.0	46.5	50.5	272
-	-	10.4	12.4	14.9	16.9	19.5	23.5	27.0	30.0	32.0	34.5	38.0	42.0	45.5	49.5	273
-	-	-	-	-	-	-	15.1	18.7	21.8	23.8	26.3	29.8	33.9	37.4	41.4	274
8.6	10.1	12.2	14.2	16.7	18.7	21.2	25.2	28.8	31.8	33.8	36.3	39.8	43.8	47.3	51.3	275
■ 0.78	0.79	0.82	0.84	0.86	0.88	0.90	0.92	0.94	0.96	0.97	0.98	1.00	1.01	1.03	1.04	■
-	-	-	-	-	13.2	15.7	19.8	23.3	26.3	28.3	30.8	34.4	38.4	41.9	45.9	276
-	-	-	10.4	12.9	15.0	17.5	21.5	25.1	28.1	30.1	32.6	36.1	40.1	43.6	47.6	277
10.4	11.9	14.0	16.0	18.5	20.5	23.0	27.0	30.5	33.5	35.5	38.0	41.5	45.5	49.0	53.0	278
9.9	11.4	13.5	15.5	18.0	20.0	22.5	26.5	30.0	33.0	35.0	37.5	41.0	45.0	48.5	52.5	279
9.4	11.0	13.0	15.0	17.5	19.5	22.0	26.0	29.5	32.6	34.6	37.1	40.6	44.6	48.1	52.1	280
■ 0.78	0.80	0.83	0.84	0.86	0.87	0.89	0.92	0.94	0.96	0.97	0.98	1.00	1.02	1.03	1.04	■
-	9.5	11.5	13.5	16.1	18.1	20.6	24.6	28.1	31.1	33.1	35.6	39.1	43.1	46.6	50.6	281
-	-	-	-	-	-	-	16.1	19.7	22.7	24.7	27.3	30.8	34.8	38.3	42.4	282
-	-	-	-	11.2	13.3	15.9	19.9	23.4	26.5	28.5	31.0	34.5	38.5	42.0	46.0	283
-	-	10.5	12.5	15.1	17.1	19.6	23.6	27.1	30.2	32.2	34.7	38.2	42.2	45.7	49.7	284
-	-	-	-	-	-	14.3	18.4	22.0	25.0	27.0	29.5	33.1	37.1	40.6	44.6	285
■ 0.00	0.78	0.81	0.83	0.84	0.87	0.88	0.91	0.93	0.95	0.96	0.97	0.99	1.01	1.02	1.04	■
10.2	11.8	13.8	15.8	18.3	20.3	22.8	26.8	30.3	33.3	35.3	37.9	41.4	45.4	48.9	52.9	286
-	-	-	10.5	13.1	15.1	17.7	21.7	25.2	28.2	30.2	32.8	36.3	40.3	43.8	47.8	287
8.7	10.3	12.3	14.3	16.9	18.9	21.4	25.4	28.9	31.9	33.9	36.4	39.9	43.9	47.4	51.4	288
-	-	-	-	-	-	-	-	15.9	19.0	21.1	23.6	27.2	31.2	34.8	38.8	289
-	-	-	-	11.4	13.4	16.0	20.1	23.6	26.6	28.6	31.1	34.7	38.7	42.2	46.2	290
■ 0.77	0.80	0.82	0.83	0.85	0.87	0.89	0.92	0.93	0.95	0.96	0.97	0.99	1.01	1.02	1.04	■
-	-	-	-	-	-	14.5	18.6	22.1	25.1	27.2	29.7	33.2	37.2	40.7	44.7	291
10.1	11.6	13.6	15.6	18.1	20.2	22.7	26.7	30.2	33.2	35.2	37.7	41.2	45.2	48.7	52.7	292
9.6	11.1	13.1	15.1	17.7	19.7	22.2	26.2	29.7	32.7	34.7	37.2	40.7	44.7	48.2	52.2	293
-	-	-	-	-	-	-	15.5	19.1	22.2	24.2	26.8	30.3	34.3	37.8	41.9	294
-	9.6	11.6	13.7	16.2	18.2	20.7	24.7	28.3	31.3	33.3	35.8	39.3	43.3	46.8	50.8	295
■ 0.78	0.79	0.82	0.84	0.86	0.88	0.89	0.91	0.93	0.95	0.96	0.98	0.99	1.01	1.02	1.04	■
-	-	10.6	12.7	15.2	17.2	19.8	23.8	27.3	30.3	32.3	34.8	38.3	42.3	45.8	49.8	296
-	-	-	10.7	13.2	15.3	17.8	21.8	25.4	28.4	30.4	32.9	36.4	40.4	43.9	47.9	297
8.9	10.4	12.5	14.5	17.0	19.0	21.5	25.5	29.1	32.1	34.1	36.6	40.1	44.1	47.6	51.6	298
-	-	-	-	11.5	13.6	16.1	20.2	23.7	26.8	28.8	31.3	34.8	38.8	42.3	46.3	299
-	-	-	-	-	12.0	14.6	18.7	22.3	25.3	27.3	29.8	33.4	37.4	40.9	44.9	300
■ 0.76	0.79	0.81	0.82	0.84	0.86	0.88	0.91	0.94	0.95	0.96	0.98	0.99	1.01	1.02	1.04	■

▲ Not all available belt lengths are shown.

■ Combined Arc-Length correction factors for 5 preceding lines.



# BP & BX Belts In B Sheaves

## Drive Selection Tables

LINE #	RATIO	STOCK SHEAVES			DRIVEN SPEEDS AND HORSEPOWER RATINGS PER BELT								
		Datum Diameter		Number Grooves	1160 RPM			1750 RPM			3500 RPM		
		DR	DN		Driven Speed	H.P. Ratings		Driven Speed	H.P. Ratings		Driven Speed	H.P. Ratings	
						BP	BX		BP	BX		BP	BX
301	2.02	7.40	15.40	1-8,10	573	9.87	11.29	865	13.18	15.58	-	-	-
302	2.03	5.20	11.00	1-6	570	5.86	7.08	861	7.85	9.83	1721	10.49	15.30
303	2.04	4.40	9.40	1-6	569	4.33	5.48	858	5.73	7.59	1717	7.63	11.94
304	2.04	4.00	8.60	1-6	568	3.54	4.67	857	4.64	6.44	1714	6.01	10.12
305	2.05	3.40	7.40	1-6	566	2.35	3.44	854	2.97	4.69	1708	3.39	7.21
306	2.06	6.40	13.60	1-8,10	564	8.09	9.41	851	10.85	13.04	1702	13.82	19.56
307	2.06	5.80	12.40	1-8,10	562	6.98	8.25	849	9.38	11.46	1697	12.32	17.56
308	2.08	9.40	20.00	1-8,10	558	13.26	14.90	841	17.35	20.26	-	-	-
309	2.09	8.60	18.40	1-8,10	556	11.93	13.48	838	15.77	18.46	-	-	-
310	2.10	3.60	8.00	1-6	553	2.75	3.86	835	3.53	5.28	1669	4.30	8.21
311	2.10	7.40	16.00	1-8,10	552	9.87	11.29	833	13.19	15.58	-	-	-
312	2.11	5.00	11.00	1-6	550	5.48	6.69	830	7.33	9.28	1660	9.84	14.51
313	2.12	6.20	13.60	1-8,10	547	7.72	9.03	826	10.37	12.52	1652	13.36	18.93
314	2.13	4.20	9.40	1-6	545	3.94	5.08	823	5.20	7.02	1645	6.85	11.05
315	2.13	5.60	12.40	1-8,10	544	6.62	7.87	821	8.88	10.92	1643	11.75	16.84
316	2.13	7.00	15.40	1-8,10	544	9.17	10.54	820	12.27	14.58	-	-	-
317	2.14	3.80	8.60	1-6	542	3.15	4.27	818	4.10	5.87	1636	5.18	9.18
318	2.19	6.00	13.60	1-8,10	531	7.36	8.64	801	9.88	12.00	1602	12.87	18.27
319	2.19	4.80	11.00	1-6	530	5.10	6.29	799	6.81	8.73	1599	9.14	13.69
320	2.19	6.80	15.40	1-8,10	529	8.81	10.17	798	11.81	14.08	-	-	-
321	2.20	5.40	12.40	1-8,10	526	6.24	7.48	794	8.38	10.38	1588	11.16	16.10
322	2.21	3.40	8.00	1-6	526	2.36	3.45	793	2.98	4.70	1586	3.42	7.23
323	2.21	7.00	16.00	1-8,10	524	9.17	10.55	790	12.28	14.59	-	-	-
324	2.22	4.00	9.40	1-6	522	3.55	4.68	787	4.66	6.45	1574	6.04	10.14
325	2.24	8.00	18.40	1-8,10	519	10.92	12.40	783	14.52	17.05	-	-	-
326	2.25	3.60	8.60	1-6	516	2.76	3.86	779	3.54	5.29	1558	4.32	8.22
327	2.25	6.60	15.40	1-8,10	514	8.46	9.79	776	11.34	13.57	1552	14.28	20.19
328	2.26	5.80	13.60	1-8,10	514	6.99	8.26	776	9.39	11.47	1552	12.34	17.58
329	2.26	8.60	20.00	1-8,10	512	11.94	13.49	773	15.78	18.47	-	-	-
330	2.28	6.80	16.00	1-8,10	510	8.82	10.17	769	11.82	14.08	-	-	-
331	2.28	4.60	11.00	1-6	510	4.72	5.89	769	6.29	8.17	1537	8.42	12.84
332	2.28	5.20	12.40	1-6	508	5.87	7.09	767	7.87	9.84	1533	10.53	15.33
333	2.32	6.40	15.40	1-8,10	500	8.10	9.41	754	10.87	13.05	1508	13.85	19.59
334	2.33	3.80	9.40	1-6	498	3.16	4.28	751	4.11	5.88	1503	5.20	9.20
335	2.33	5.60	13.60	1-8,10	498	6.62	7.87	751	8.89	10.93	1502	11.78	16.86
336	2.34	6.60	16.00	1-8,10	496	8.46	9.80	748	11.35	13.57	1495	14.28	20.20
337	2.36	3.40	8.60	1-6	491	2.36	3.45	740	2.99	4.70	1481	3.43	7.24
338	2.37	5.00	12.40	1-6	490	5.49	6.69	739	7.35	9.29	1479	9.87	14.53
339	2.37	4.40	11.00	1-6	489	4.34	5.50	738	5.76	7.61	1476	7.67	11.97
340	2.39	6.20	15.40	1-8,10	485	7.73	9.03	732	10.38	12.53	1464	13.39	18.95
341	2.41	7.40	18.40	1-8,10	482	9.89	11.30	727	13.20	15.60	-	-	-
342	2.41	6.40	16.00	1-8,10	482	8.10	9.42	726	10.87	13.06	1453	13.86	19.59
343	2.41	5.40	13.60	1-8,10	481	6.25	7.48	726	8.39	10.39	1452	11.18	16.12
344	2.43	8.00	20.00	1-8,10	478	10.93	12.40	721	14.53	17.06	-	-	-
345	2.45	3.60	9.40	1-6	474	2.77	3.87	716	3.55	5.30	1431	4.34	8.24
346	2.46	4.80	12.40	1-6	472	5.11	6.30	712	6.83	8.74	1424	9.17	13.71
347	2.47	6.00	15.40	1-8,10	470	7.37	8.65	710	9.90	12.01	1419	12.90	18.29
348	2.47	4.20	11.00	1-6	469	3.95	5.09	707	5.22	7.04	1415	6.88	11.08
349	2.48	6.20	16.00	1-8,10	467	7.74	9.04	705	10.39	12.54	1410	13.40	18.96
350	2.50	5.20	13.60	1-6	465	5.88	7.09	701	7.87	9.85	1402	10.55	15.34

Shaded area diameters are below industry standard for belt.

# BP & BX Belts In B Sheaves

## Drive Selection Tables

CENTER DISTANCE AND COMBINED ARC-LENGTH CORRECTION FACTOR ▲																LINE #
B35	B38	B42	B46	B51	B55	B60	B68	B75	B80	B85	B90	B96	B105	B112	B120	
-	-	-	-	-	-	-	16.5	20.1	23.1	25.2	27.7	31.2	35.3	38.8	42.8	301
-	-	-	10.8	13.4	15.4	17.9	22.0	25.5	28.5	30.5	33.0	36.6	40.6	44.1	48.1	302
-	8.7	10.8	12.8	15.4	17.4	19.9	23.9	27.4	30.5	32.5	35.0	38.5	42.5	46.0	50.0	303
8.2	9.7	11.8	13.8	16.3	18.4	20.9	24.9	28.4	31.4	33.4	35.9	39.4	43.4	46.9	51.0	304
9.7	11.2	13.3	15.3	17.8	19.8	22.3	26.3	29.9	32.9	34.9	37.4	40.9	44.9	48.4	52.4	305
■	<b>0.76</b>	<b>0.78</b>	<b>0.81</b>	<b>0.82</b>	<b>0.85</b>	<b>0.87</b>	<b>0.89</b>	<b>0.91</b>	<b>0.94</b>	<b>0.95</b>	<b>0.96</b>	<b>0.98</b>	<b>0.99</b>	<b>1.01</b>	<b>1.02</b>	<b>1.04</b> ■
-	-	-	-	-	12.2	14.8	18.8	22.4	25.4	27.5	30.0	33.5	37.5	41.0	45.0	306
-	-	-	-	11.6	13.7	16.3	20.3	23.9	26.9	28.9	31.4	34.9	39.0	42.5	46.5	307
-	-	-	-	-	-	-	-	-	17.5	19.6	22.2	25.8	29.8	33.4	37.4	308
-	-	-	-	-	-	-	-	16.5	19.6	21.6	24.2	27.8	31.8	35.4	39.4	309
9.0	10.6	12.6	14.6	17.1	19.2	21.7	25.7	29.2	32.2	34.2	36.7	40.2	44.2	47.7	51.7	310
■	<b>0.76</b>	<b>0.79</b>	<b>0.81</b>	<b>0.84</b>	<b>0.84</b>	<b>0.85</b>	<b>0.87</b>	<b>0.91</b>	<b>0.92</b>	<b>0.93</b>	<b>0.94</b>	<b>0.96</b>	<b>0.98</b>	<b>1.00</b>	<b>1.01</b>	<b>1.03</b> ■
-	-	-	-	-	-	-	15.9	19.5	22.6	24.6	27.2	30.7	34.8	38.3	42.3	311
-	-	-	10.9	13.5	15.5	18.1	22.1	25.7	28.7	30.7	33.2	36.7	40.7	44.2	48.2	312
-	-	-	-	-	12.3	14.9	19.0	22.5	25.6	27.6	30.1	33.6	37.7	41.2	45.2	313
-	8.8	10.9	13.0	15.5	17.5	20.0	24.1	27.6	30.6	32.6	35.1	38.6	42.6	46.1	50.2	314
-	-	-	-	11.8	13.8	16.4	20.5	24.0	27.0	29.1	31.6	35.1	39.1	42.6	46.6	315
■	<b>0.76</b>	<b>0.80</b>	<b>0.81</b>	<b>0.83</b>	<b>0.85</b>	<b>0.87</b>	<b>0.90</b>	<b>0.93</b>	<b>0.94</b>	<b>0.96</b>	<b>0.97</b>	<b>0.99</b>	<b>1.01</b>	<b>1.02</b>	<b>1.03</b> ■	
-	-	-	-	-	-	-	16.8	20.4	23.4	25.5	28.0	31.5	35.6	39.1	43.1	316
8.3	9.9	11.9	14.0	16.5	18.5	21.0	25.0	28.6	31.6	33.6	36.1	39.6	43.6	47.1	51.1	317
-	-	-	-	-	12.4	15.0	19.1	22.7	25.7	27.7	30.3	33.8	37.8	41.3	45.3	318
-	-	-	11.1	13.6	15.7	18.2	22.3	25.8	28.8	30.8	33.3	36.9	40.9	44.4	48.4	319
-	-	-	-	-	-	-	16.9	20.5	23.6	25.6	28.1	31.7	35.7	39.2	43.3	320
■	<b>0.75</b>	<b>0.78</b>	<b>0.81</b>	<b>0.81</b>	<b>0.84</b>	<b>0.85</b>	<b>0.88</b>	<b>0.90</b>	<b>0.92</b>	<b>0.94</b>	<b>0.95</b>	<b>0.97</b>	<b>0.99</b>	<b>1.00</b>	<b>1.02</b>	<b>1.03</b> ■
-	-	-	-	11.9	14.0	16.5	20.6	24.2	27.2	29.2	31.7	35.2	39.3	42.8	46.8	321
9.2	10.7	12.7	14.8	17.3	19.3	21.8	25.8	29.4	32.4	34.4	36.9	40.4	44.4	47.9	51.9	322
-	-	-	-	-	-	-	16.2	19.8	22.9	24.9	27.5	31.0	35.0	38.6	42.6	323
-	9.0	11.0	13.1	15.6	17.7	20.2	24.2	27.7	30.8	32.8	35.3	38.8	42.8	46.3	50.3	324
-	-	-	-	-	-	-	-	16.9	20.0	22.1	24.6	28.2	32.2	35.8	39.8	325
■	<b>0.76</b>	<b>0.77</b>	<b>0.80</b>	<b>0.83</b>	<b>0.84</b>	<b>0.86</b>	<b>0.88</b>	<b>0.90</b>	<b>0.92</b>	<b>0.94</b>	<b>0.95</b>	<b>0.97</b>	<b>0.98</b>	<b>1.00</b>	<b>1.02</b>	<b>1.03</b> ■
8.4	10.0	12.1	14.1	16.6	18.7	21.2	25.2	28.7	31.7	33.7	36.2	39.7	43.7	47.3	51.3	326
-	-	-	-	-	-	12.9	17.1	20.7	23.7	25.7	28.3	31.8	35.9	39.4	43.4	327
-	-	-	-	-	12.6	15.2	19.3	22.8	25.9	27.9	30.4	33.9	38.0	41.5	45.5	328
-	-	-	-	-	-	-	-	-	18.0	20.1	22.7	26.3	30.4	34.0	38.0	329
-	-	-	-	-	-	-	16.3	20.0	23.0	25.1	27.6	31.2	35.2	38.7	42.7	330
■	<b>0.75</b>	<b>0.77</b>	<b>0.80</b>	<b>0.83</b>	<b>0.85</b>	<b>0.85</b>	<b>0.86</b>	<b>0.89</b>	<b>0.92</b>	<b>0.93</b>	<b>0.94</b>	<b>0.96</b>	<b>0.98</b>	<b>1.00</b>	<b>1.01</b>	<b>1.03</b> ■
-	-	-	11.2	13.8	15.8	18.4	22.4	26.0	29.0	31.0	33.5	37.0	41.0	44.5	48.5	331
-	-	-	-	12.0	14.1	16.7	20.8	24.3	27.3	29.4	31.9	35.4	39.4	42.9	46.9	332
-	-	-	-	-	-	13.0	17.2	20.8	23.9	25.9	28.4	32.0	36.0	39.5	43.5	333
-	9.1	11.2	13.2	15.8	17.8	20.3	24.4	27.9	30.9	32.9	35.4	38.9	42.9	46.4	50.5	334
-	-	-	-	12.7	15.3	19.4	23.0	26.0	28.0	30.6	34.1	38.1	41.6	45.6	49.6	335
■	<b>0.76</b>	<b>0.79</b>	<b>0.81</b>	<b>0.83</b>	<b>0.84</b>	<b>0.86</b>	<b>0.90</b>	<b>0.92</b>	<b>0.94</b>	<b>0.95</b>	<b>0.97</b>	<b>0.99</b>	<b>1.00</b>	<b>1.02</b>	<b>1.03</b> ■	
-	-	-	-	-	-	-	16.5	20.1	23.2	25.2	27.8	31.3	35.3	38.9	42.9	336
8.6	10.1	12.2	14.2	16.8	18.8	21.3	25.3	28.9	31.9	33.9	36.4	39.9	43.9	47.4	51.4	337
-	-	-	-	12.2	14.3	16.8	20.9	24.5	27.5	29.5	32.0	35.5	39.6	43.1	47.1	338
-	-	-	11.3	13.9	16.0	18.5	22.6	26.1	29.1	31.1	33.6	37.2	41.2	44.7	48.7	339
-	-	-	-	-	-	13.1	17.3	20.9	24.0	26.0	28.6	32.1	36.1	39.7	43.7	340
■	<b>0.74</b>	<b>0.77</b>	<b>0.80</b>	<b>0.81</b>	<b>0.83</b>	<b>0.85</b>	<b>0.86</b>	<b>0.89</b>	<b>0.92</b>	<b>0.94</b>	<b>0.95</b>	<b>0.97</b>	<b>0.98</b>	<b>1.00</b>	<b>1.02</b>	<b>1.03</b> ■
-	-	-	-	-	-	-	-	17.3	20.4	22.5	25.0	28.6	32.7	36.2	40.3	341
-	-	-	-	-	-	-	16.6	20.2	23.3	25.4	27.9	31.4	35.5	39.0	43.0	342
-	-	-	-	-	12.8	15.4	19.5	23.1	26.2	28.2	30.7	34.2	38.3	41.8	45.8	343
-	-	-	-	-	-	-	-	-	18.4	20.5	23.1	26.7	30.8	34.4	38.4	344
-	9.2	11.3	13.4	15.9	18.0	20.5	24.5	28.0	31.1	33.1	35.6	39.1	43.1	46.6	50.6	345
■	<b>0.76</b>	<b>0.79</b>	<b>0.82</b>	<b>0.85</b>	<b>0.84</b>	<b>0.87</b>	<b>0.89</b>	<b>0.91</b>	<b>0.92</b>	<b>0.93</b>	<b>0.95</b>	<b>0.97</b>	<b>0.99</b>	<b>1.01</b>	<b>1.02</b> ■	
-	-	-	-	12.3	14.4	17.0	21.0	24.6	27.6	29.6	32.2	35.7	39.7	43.2	47.2	346
-	-	-	-	-	-	13.3	17.5	21.1	24.1	26.2	28.7	32.2	36.3	39.8	43.8	347
-	-	-	11.5	14.1	16.1	18.7	22.7	26.2	29.3	31.3	33.8	37.3	41.3	44.8	48.8	348
-	-	-	-	-	-	-	16.7	20.4	23.5	25.5	28.0	31.6	35.6	39.2	43.2	349
-	-	-	-	-	13.0	15.6	19.7	23.3	26.3	28.3	30.8	34.4	38.4	41.9	45.9	350
■			<b>0.79</b>	<b>0.82</b>	<b>0.83</b>	<b>0.85</b>	<b>0.89</b>	<b>0.91</b>	<b>0.93</b>	<b>0.95</b>	<b>0.96</b>	<b>0.98</b>	<b>1.00</b>	<b>1.01</b>	<b>1.03</b> ■	

▲ Not all available belt lengths are shown.

■ Combined Arc-Length correction factors for 5 preceding lines.

# BP & BX Belts In B Sheaves

## Drive Selection Tables

LINE #	RATIO	STOCK SHEAVES			DRIVEN SPEEDS AND HORSEPOWER RATINGS PER BELT								
		Datum Diameter		Number Grooves	1160 RPM			1750 RPM			3500 RPM		
		DR	DN		Driven Speed	H.P. Ratings		Driven Speed	H.P. Ratings		Driven Speed	H.P. Ratings	
						BP	BX		BP	BX		BP	BX
351	2.54	7.00	18.40	1-8,10	457	9.18	10.55	690	12.29	14.60	-	-	-
352	2.55	5.80	15.40	1-8,10	456	7.00	8.27	688	9.40	11.48	1375	12.37	17.60
353	2.56	4.60	12.40	1-6	454	4.73	5.90	685	6.30	8.18	1369	8.44	12.86
354	2.56	6.00	16.00	1-8,10	453	7.37	8.65	684	9.90	12.01	1368	12.90	18.30
355	2.57	3.40	9.40	1-6	451	2.37	3.46	680	2.99	4.71	1360	3.45	7.26
356	2.59	4.00	11.00	1-6	449	3.56	4.69	677	4.67	6.47	1353	6.07	10.16
357	2.59	5.00	13.60	1-6	448	5.50	6.70	676	7.36	9.30	1352	9.88	14.55
358	2.59	9.40	25.00	2-8,10	448	13.27	14.91	676	17.38	20.28	-	-	-
359	2.61	6.80	18.40	1-8,10	445	8.83	10.18	671	11.83	14.09	-	-	-
360	2.61	7.40	20.00	1-8,10	444	9.89	11.30	670	13.21	15.60	-	-	-
361	2.63	5.60	15.40	1-8,10	441	6.63	7.88	665	8.90	10.94	1331	11.80	16.88
362	2.64	5.80	16.00	1-8,10	439	7.00	8.27	662	9.40	11.48	1325	12.37	17.60
363	2.66	4.40	12.40	1-6	436	4.35	5.50	657	5.77	7.61	1315	7.69	11.99
364	2.68	6.60	18.40	1-8,10	432	8.47	9.80	652	11.36	13.58	1305	14.31	20.21
365	2.69	4.80	13.60	1-6	432	5.12	6.30	651	6.83	8.74	1302	9.18	13.72
366	2.71	3.80	11.00	1-6	428	3.17	4.28	646	4.12	5.89	1292	5.23	9.22
367	2.72	5.40	15.40	1-8,10	426	6.26	7.49	643	8.40	10.40	1287	11.20	16.13
368	2.73	5.60	16.00	1-8,10	425	6.63	7.88	641	8.90	10.94	1282	11.80	16.88
369	2.75	7.00	20.00	1-8,10	421	9.18	10.56	636	12.30	14.60	-	-	-
370	2.76	6.40	18.40	1-8,10	420	8.11	9.42	634	10.88	13.07	1268	13.88	19.61
371	2.78	4.20	12.40	1-6	418	3.96	5.10	630	5.23	7.05	1260	6.90	11.09
372	2.80	4.60	13.60	1-6	415	4.74	5.90	626	6.31	8.18	1252	8.46	12.87
373	2.82	5.20	15.40	1-6	412	5.88	7.10	621	7.88	9.85	1242	10.56	15.36
374	2.82	8.60	25.00	2-8,10	411	11.95	13.49	621	15.80	18.48	-	-	-
375	2.82	5.40	16.00	1-8,10	411	6.26	7.49	620	8.40	10.40	1240	11.20	16.14
376	2.83	6.80	20.00	1-8,10	410	8.83	10.18	618	11.83	14.10	-	-	-
377	2.84	3.60	11.00	1-6	408	2.77	3.87	615	3.56	5.30	1231	4.36	8.25
378	2.84	6.20	18.40	1-8,10	408	7.74	9.04	615	10.40	12.54	1230	13.42	18.97
379	2.90	4.00	12.40	1-6	400	3.57	4.69	603	4.68	6.47	1205	6.09	10.17
380	2.91	6.60	20.00	1-8,10	399	8.47	9.80	601	11.36	13.59	1202	14.32	20.22
381	2.91	4.40	13.60	1-6	398	4.35	5.50	601	5.77	7.62	1202	7.70	12.00
382	2.92	5.00	15.40	1-6	397	5.50	6.70	599	7.37	9.30	1198	9.90	14.56
383	2.92	5.20	16.00	1-6	397	5.88	7.10	598	7.89	9.86	1197	10.57	15.36
384	2.93	6.00	18.40	1-8,10	395	7.38	8.66	597	9.91	12.02	1193	12.92	18.31
385	2.99	3.40	11.00	1-6	388	2.37	3.46	585	3.00	4.72	1169	3.47	7.27
386	3.00	6.40	20.00	1-8,10	387	8.11	9.42	584	10.89	13.07	1168	13.89	19.62
387	3.02	8.00	25.00	2-8,10	384	10.94	12.41	579	14.54	17.07	-	-	-
388	3.03	5.80	18.40	1-8,10	383	7.01	8.27	578	9.41	11.48	1156	12.39	17.62
389	3.03	5.00	16.00	1-6	383	5.50	6.70	577	7.37	9.30	1154	9.90	14.56
390	3.03	4.80	15.40	1-6	382	5.12	6.31	577	6.84	8.75	1154	9.20	13.73
391	3.04	4.20	13.60	1-6	382	3.96	5.10	576	5.23	7.05	1152	6.91	11.10
392	3.04	3.80	12.40	1-6	381	3.17	4.29	575	4.13	5.89	1151	5.24	9.23
393	3.09	6.20	20.00	1-8,10	376	7.75	9.04	567	10.40	12.55	1134	13.43	18.98
394	3.10	9.40	30.00	2-8,10	374	13.28	14.92	565	17.39	20.29	-	-	-
395	3.13	5.60	18.40	1-8,10	371	6.64	7.88	559	8.91	10.95	1119	11.82	16.89
396	3.15	4.80	16.00	1-6	368	5.12	6.31	556	6.84	8.75	1112	9.20	13.73
397	3.15	4.60	15.40	1-6	368	4.74	5.91	555	6.31	8.19	1110	8.47	12.88
398	3.18	4.00	13.60	1-6	365	3.57	4.70	551	4.68	6.47	1102	6.09	10.18
399	3.18	6.00	20.00	1-8,10	364	7.38	8.66	550	9.91	12.02	1100	12.93	18.31
400	3.19	3.60	12.40	1-6	363	2.78	3.88	548	3.57	5.31	1096	4.37	8.26

Shaded area diameters are below industry standard for belt.

# BP & BX Belts In B Sheaves

## Drive Selection Tables

CENTER DISTANCE AND COMBINED ARC-LENGTH CORRECTION FACTOR ▲															LINE #	
B42	B46	B51	B55	B60	B68	B75	B80	B85	B90	B96	B105	B112	B120	B128	B144	
-	-	-	-	-	-	17.5	20.7	22.7	25.3	28.9	33.0	36.5	40.6	44.6	52.6	351
-	-	-	-	13.4	17.6	21.2	24.3	26.3	28.9	32.4	36.4	40.0	44.0	48.0	56.0	352
-	-	12.4	14.5	17.1	21.2	24.7	27.8	29.8	32.3	35.8	39.9	43.4	47.4	51.4	59.4	353
-	-	-	-	-	16.9	20.5	23.6	25.6	28.2	31.7	35.8	39.3	43.3	47.4	55.4	354
11.5	13.5	16.1	18.1	20.6	24.7	28.2	31.2	33.2	35.7	39.2	43.2	46.8	50.8	54.8	62.8	355
■	<b>0.79</b>	<b>0.82</b>	<b>0.82</b>	<b>0.85</b>	<b>0.85</b>	<b>0.89</b>	<b>0.91</b>	<b>0.93</b>	<b>0.94</b>	<b>0.96</b>	<b>0.98</b>	<b>1.00</b>	<b>1.01</b>	<b>1.03</b>	<b>1.04</b>	<b>1.07</b> ■
9.5	11.6	14.2	16.2	18.8	22.9	26.4	29.4	31.4	33.9	37.5	41.5	45.0	49.0	53.0	61.0	356
-	-	-	13.1	15.7	19.8	23.4	26.4	28.5	31.0	34.5	38.6	42.1	46.1	50.1	58.1	357
-	-	-	-	-	-	-	-	-	-	20.9	25.2	28.8	33.0	37.1	45.2	358
-	-	-	-	-	-	17.7	20.8	22.9	25.4	29.0	33.1	36.6	40.7	44.7	52.8	359
-	-	-	-	-	-	15.6	18.8	20.9	23.5	27.1	31.2	34.8	38.9	42.9	51.0	360
■	<b>0.75</b>	<b>0.79</b>	<b>0.83</b>	<b>0.83</b>	<b>0.86</b>	<b>0.90</b>	<b>0.89</b>	<b>0.91</b>	<b>0.93</b>	<b>0.95</b>	<b>0.95</b>	<b>0.98</b>	<b>1.00</b>	<b>1.01</b>	<b>1.03</b>	<b>1.06</b> ■
-	-	-	-	13.5	17.7	21.3	24.4	26.5	29.0	32.5	36.6	40.1	44.1	48.2	56.2	361
-	-	-	-	12.8	17.0	20.6	23.7	25.8	28.3	31.9	35.9	39.4	43.5	47.5	55.5	362
-	-	12.6	14.7	17.2	21.3	24.9	27.9	29.9	32.5	36.0	40.0	43.5	47.5	51.6	59.6	363
-	-	-	-	-	-	17.8	20.9	23.0	25.6	29.2	33.2	36.8	40.8	44.9	52.9	364
-	-	11.1	13.2	15.8	20.0	23.5	26.6	28.6	31.1	34.7	38.7	42.2	46.2	50.3	58.3	365
■		<b>0.79</b>	<b>0.82</b>	<b>0.83</b>	<b>0.88</b>	<b>0.90</b>	<b>0.92</b>	<b>0.94</b>	<b>0.95</b>	<b>0.97</b>	<b>0.99</b>	<b>1.01</b>	<b>1.02</b>	<b>1.04</b>	<b>1.07</b> ■	
9.6	11.7	14.3	16.4	18.9	23.0	26.5	29.6	31.6	34.1	37.6	41.6	45.1	49.1	53.2	61.2	366
-	-	-	-	13.6	17.9	21.5	24.6	26.6	29.1	32.7	36.7	40.3	44.3	48.3	56.3	367
-	-	-	-	12.9	17.1	20.8	23.9	25.9	28.5	32.0	36.1	39.6	43.6	47.7	55.7	368
-	-	-	-	-	-	15.9	19.1	21.2	23.8	27.4	31.5	35.1	39.2	43.2	51.3	369
-	-	-	-	-	-	17.9	21.1	23.1	25.7	29.3	33.4	36.9	41.0	45.0	53.1	370
■	<b>0.75</b>	<b>0.79</b>	<b>0.83</b>	<b>0.85</b>	<b>0.83</b>	<b>0.88</b>	<b>0.88</b>	<b>0.91</b>	<b>0.93</b>	<b>0.94</b>	<b>0.97</b>	<b>0.99</b>	<b>1.00</b>	<b>1.02</b>	<b>1.04</b>	<b>1.06</b> ■
-	-	12.7	14.8	17.4	21.5	25.0	28.1	30.1	32.6	36.1	40.2	43.7	47.7	51.7	59.7	371
-	-	11.2	13.3	16.0	20.1	23.7	26.7	28.8	31.3	34.8	38.8	42.4	46.4	50.4	58.4	372
-	-	-	-	13.8	18.0	21.6	24.7	26.7	29.3	32.8	36.9	40.4	44.4	48.5	56.5	373
-	-	-	-	-	-	-	-	-	-	21.4	25.7	29.4	33.5	37.6	45.8	374
-	-	-	-	13.0	17.3	20.9	24.0	26.1	28.6	32.2	36.2	39.7	43.8	47.8	55.8	375
■		<b>0.79</b>	<b>0.82</b>	<b>0.83</b>	<b>0.88</b>	<b>0.91</b>	<b>0.93</b>	<b>0.94</b>	<b>0.96</b>	<b>0.96</b>	<b>0.98</b>	<b>1.00</b>	<b>1.02</b>	<b>1.03</b>	<b>1.06</b> ■	
-	-	-	-	-	-	16.0	19.2	21.3	23.9	27.6	31.7	35.2	39.3	43.3	51.4	376
9.7	11.9	14.5	16.5	19.1	23.1	26.7	29.7	31.7	34.2	37.8	41.8	45.3	49.3	53.3	61.3	377
-	-	-	-	14.3	18.0	21.2	23.3	25.9	29.4	33.5	37.1	41.1	45.2	49.2	57.2	378
-	10.2	12.8	14.9	17.5	21.6	25.2	28.2	30.2	32.8	36.3	40.3	43.8	47.8	51.8	59.9	379
-	-	-	-	-	-	16.1	19.3	21.5	24.1	27.7	31.8	35.4	39.4	43.5	51.6	380
■	<b>0.75</b>	<b>0.77</b>	<b>0.81</b>	<b>0.84</b>	<b>0.86</b>	<b>0.87</b>	<b>0.88</b>	<b>0.91</b>	<b>0.92</b>	<b>0.94</b>	<b>0.96</b>	<b>0.98</b>	<b>1.00</b>	<b>1.02</b>	<b>1.03</b>	<b>1.06</b> ■
-	-	11.3	13.5	16.1	20.2	23.8	26.9	28.9	31.4	35.0	39.0	42.5	46.5	50.6	58.6	381
-	-	-	-	13.9	18.1	21.8	24.8	26.9	29.4	33.0	37.0	40.5	44.6	48.6	56.6	382
-	-	-	-	13.1	17.4	21.1	24.1	26.2	28.7	32.3	36.3	39.9	43.9	47.9	56.0	383
-	-	-	-	-	14.4	18.2	21.3	23.4	26.0	29.6	33.7	37.2	41.3	45.3	53.4	384
9.9	12.0	14.6	16.7	19.2	23.3	26.8	29.8	31.9	34.4	37.9	41.9	45.4	49.4	53.5	61.5	385
■	<b>0.75</b>	<b>0.79</b>	<b>0.80</b>	<b>0.83</b>	<b>0.83</b>	<b>0.86</b>	<b>0.90</b>	<b>0.92</b>	<b>0.94</b>	<b>0.95</b>	<b>0.97</b>	<b>0.99</b>	<b>1.01</b>	<b>1.02</b>	<b>1.04</b>	<b>1.06</b> ■
-	-	-	-	-	-	16.2	19.5	21.6	24.2	27.8	31.9	35.5	39.6	43.6	51.7	386
-	-	-	-	-	-	-	-	-	-	21.8	26.1	29.8	33.9	38.0	46.2	387
-	-	-	-	14.5	18.3	21.5	23.6	26.1	29.7	33.8	37.4	41.4	45.5	53.5	388	
-	-	-	-	13.3	17.5	21.2	24.3	26.3	28.9	32.4	36.5	40.0	44.1	48.1	56.1	389
-	-	-	-	14.0	18.3	21.9	25.0	27.0	29.6	33.1	37.2	40.7	44.7	48.7	56.8	390
■			<b>0.80</b>	<b>0.84</b>	<b>0.87</b>	<b>0.90</b>	<b>0.92</b>	<b>0.94</b>	<b>0.94</b>	<b>0.97</b>	<b>0.99</b>	<b>1.01</b>	<b>1.02</b>	<b>1.05</b> ■		
-	-	11.5	13.6	16.2	20.4	24.0	27.0	29.0	31.6	35.1	39.1	42.7	46.7	50.7	58.7	391
-	10.3	13.0	15.1	17.7	21.8	25.3	28.4	30.4	32.9	36.4	40.4	44.0	48.0	52.0	60.0	392
-	-	-	-	-	-	16.4	19.6	21.7	24.3	28.0	32.1	35.7	39.7	43.8	51.9	393
-	-	-	-	-	-	-	-	-	-	-	-	23.7	28.1	32.3	40.7	394
-	-	-	-	-	14.7	18.4	21.6	23.7	26.3	29.9	33.9	37.5	41.6	45.6	53.7	395
■	<b>0.75</b>	<b>0.79</b>	<b>0.82</b>	<b>0.85</b>	<b>0.86</b>	<b>0.88</b>	<b>0.91</b>	<b>0.92</b>	<b>0.94</b>	<b>0.96</b>	<b>0.98</b>	<b>0.98</b>	<b>1.00</b>	<b>1.02</b>	<b>1.05</b> ■	
-	-	-	-	13.4	17.7	21.3	24.4	26.5	29.0	32.6	36.6	40.2	44.2	48.2	56.3	396
-	-	-	-	14.2	18.4	22.0	25.1	27.2	29.7	33.3	37.3	40.8	44.9	48.9	56.9	397
-	-	11.6	13.7	16.4	20.5	24.1	27.2	29.2	31.7	35.3	39.3	42.8	46.8	50.9	58.9	398
-	-	-	-	-	-	16.5	19.7	21.9	24.5	28.1	32.2	35.8	39.9	43.9	52.0	399
-	10.4	13.1	15.2	17.8	21.9	25.5	28.5	30.5	33.0	36.6	40.6	44.1	48.1	52.1	60.2	400
■	<b>0.75</b>	<b>0.78</b>	<b>0.82</b>	<b>0.82</b>	<b>0.87</b>	<b>0.89</b>	<b>0.91</b>	<b>0.93</b>	<b>0.95</b>	<b>0.97</b>	<b>0.99</b>	<b>1.00</b>	<b>1.02</b>	<b>1.04</b>	<b>1.06</b> ■	

▲ Not all available belt lengths are shown.

■ Combined Arc-Length correction factors for 5 preceding lines.

# BP & BX Belts In B Sheaves

## Drive Selection Tables

LINE #	RATIO	STOCK SHEAVES			DRIVEN SPEEDS AND HORSEPOWER RATINGS PER BELT								
		Datum Diameter		Number Grooves	1160 RPM			1750 RPM			3500 RPM		
		DR	DN		Driven Speed	H.P. Ratings		Driven Speed	H.P. Ratings		Driven Speed	H.P. Ratings	
						BP	BX		BP	BX		BP	BX
401	3.24	5.40	18.40	1-8,10	358	6.26	7.49	541	8.40	10.41	1081	11.22	16.14
402	3.25	7.40	25.00	2-8,10	357	9.90	11.31	538	13.22	15.61	-	-	-
403	3.27	4.60	16.00	1-6	354	4.74	5.91	535	6.31	8.19	1069	8.47	12.88
404	3.29	4.40	15.40	1-6	353	4.35	5.51	533	5.78	7.62	1065	7.71	12.00
405	3.29	5.80	20.00	1-8,10	353	7.01	8.27	533	9.42	11.49	1065	12.40	17.62
406	3.33	3.80	13.60	1-6	349	3.18	4.29	526	4.13	5.90	1052	5.25	9.23
407	3.35	5.20	18.40	1-6	346	5.89	7.10	522	7.89	9.86	1044	10.58	15.37
408	3.36	3.40	12.40	1-6	345	2.38	3.46	521	3.01	4.72	1042	3.48	7.28
409	3.37	8.60	30.00	2-8,10	344	11.96	13.50	519	15.81	18.49	-	-	-
410	3.39	5.60	20.00	1-8,10	342	6.64	7.88	515	8.91	10.95	1031	11.83	16.90
411	3.41	4.40	16.00	1-6	340	4.35	5.51	513	5.78	7.62	1026	7.71	12.01
412	3.43	4.20	15.40	1-6	338	3.96	5.10	511	5.23	7.05	1021	6.92	11.11
413	3.43	7.00	25.00	2-8,10	338	9.19	10.56	510	12.31	14.61	-	-	-
414	3.48	5.00	18.40	1-6	334	5.51	6.71	504	7.37	9.31	1007	9.91	14.57
415	3.49	3.60	13.60	1-6	332	2.78	3.88	501	3.57	5.31	1002	4.38	8.27
416	3.51	5.40	20.00	1-8,10	330	6.27	7.49	498	8.41	10.41	997	11.22	16.15
417	3.52	6.80	25.00	2-8,10	329	8.84	10.19	497	11.84	14.10	-	-	-
418	3.56	4.20	16.00	1-6	326	3.97	5.10	492	5.24	7.05	984	6.92	11.11
419	3.58	4.00	15.40	1-6	324	3.57	4.70	488	4.69	6.48	977	6.10	10.18
420	3.61	4.80	18.40	1-6	321	5.13	6.31	485	6.85	8.75	970	9.21	13.74
421	3.62	8.00	30.00	2-8,10	321	10.94	12.41	484	14.55	17.08	-	-	-
422	3.62	6.60	25.00	2-8,10	320	8.48	9.81	483	11.37	13.59	966	14.33	20.23
423	3.64	5.20	20.00	1-6	319	5.89	7.10	481	7.89	9.86	962	10.58	15.37
424	3.68	3.40	13.60	1-6	316	2.38	3.46	476	3.01	4.72	952	3.48	7.28
425	3.72	4.00	16.00	1-6	312	3.57	4.70	471	4.69	6.48	941	6.10	10.19
426	3.73	6.40	25.00	2-8,10	311	8.11	9.43	469	10.89	13.07	938	13.91	19.63
427	3.75	4.60	18.40	1-6	309	4.74	5.91	466	6.32	8.19	933	8.48	12.89
428	3.75	3.80	15.40	1-6	309	3.18	4.29	466	4.14	5.90	932	5.26	9.24
429	3.77	5.00	20.00	1-6	308	5.51	6.71	464	7.37	9.31	928	9.92	14.57
430	3.84	6.20	25.00	2-8,10	302	7.75	9.05	455	10.41	12.55	911	13.44	18.99
431	3.89	7.40	30.00	2-8,10	298	9.90	11.31	450	13.23	15.62	-	-	-
432	3.90	3.80	16.00	1-6	298	3.18	4.29	449	4.14	5.90	898	5.26	9.24
433	3.91	4.40	18.40	1-6	297	4.36	5.51	448	5.78	7.63	895	7.72	12.01
434	3.91	9.40	38.00	2-8,10	296	13.29	14.92	447	17.40	20.29	-	-	-
435	3.92	4.80	20.00	1-6	296	5.13	6.31	447	6.85	8.75	894	9.22	13.74
436	3.94	3.60	15.40	1-6	294	2.78	3.88	444	3.58	5.31	888	4.39	8.27
437	3.96	6.00	25.00	2-8,10	293	7.38	8.66	442	9.92	12.02	883	12.94	18.32
438	4.07	4.60	20.00	1-6	285	4.74	5.91	430	6.32	8.19	860	8.48	12.89
439	4.08	4.20	18.40	1-6	284	3.97	5.10	429	5.24	7.06	858	6.93	11.11
440	4.09	3.60	16.00	1-6	284	2.78	3.88	428	3.58	5.31	856	4.39	8.27
441	4.09	5.80	25.00	2-8,10	284	7.01	8.28	428	9.42	11.49	856	12.41	17.63
442	4.10	7.00	30.00	2-8,10	283	9.19	10.56	427	12.31	14.62	-	-	-
443	4.15	3.40	15.40	1-6	280	2.38	3.47	422	3.01	4.72	844	3.49	7.28
444	4.22	6.80	30.00	2-8,10	275	8.84	10.19	415	11.85	14.11	-	-	-
445	4.23	5.60	25.00	2-8,10	274	6.64	7.89	414	8.92	10.95	828	11.84	16.91
446	4.24	4.40	20.00	1-6	274	4.36	5.51	413	5.78	7.63	825	7.72	12.01
447	4.26	8.60	38.00	2-8,10	272	11.96	13.50	411	15.81	18.49	-	-	-
448	4.26	4.00	18.40	1-6	272	3.58	4.70	411	4.69	6.48	821	6.11	10.19
449	4.30	3.40	16.00	1-6	269	2.38	3.47	407	3.01	4.73	813	3.49	7.29
450	4.34	6.60	30.00	2-8,10	267	8.48	9.81	404	11.38	13.59	807	14.34	20.24

Shaded area diameters are below industry standard for belt.

# BP & BX Belts In B Sheaves

## Drive Selection Tables

CENTER DISTANCE AND COMBINED ARC-LENGTH CORRECTION FACTOR ▲															LINE #	
B60	B68	B75	B80	B85	B90	B96	B105	B112	B120	B128	B144	B158	B173	B180	B195	
-	14.8	18.6	21.7	23.8	26.4	30.0	34.1	37.6	41.7	45.7	53.8	60.9	68.4	71.9	79.4	401
-	-	-	-	-	18.3	22.2	26.5	30.2	34.3	38.4	46.6	53.7	61.3	64.9	72.4	402
13.5	17.8	21.5	24.6	26.6	29.2	32.7	36.8	40.3	44.4	48.4	56.4	63.5	71.0	74.5	82.0	403
14.3	18.5	22.2	25.3	27.3	29.8	33.4	37.4	41.0	45.0	49.0	57.1	64.1	71.6	75.1	82.7	404
-	-	16.6	19.9	22.0	24.6	28.2	32.4	35.9	40.0	44.1	52.2	59.2	66.8	70.3	77.8	405
■ 0.80	0.84	0.87	0.90	0.91	0.91	0.94	0.97	0.99	1.01	1.02	1.05	1.07	1.10	1.10	1.12	■
16.5	20.7	24.2	27.3	29.3	31.9	35.4	39.4	43.0	47.0	51.0	59.0	66.1	73.6	77.1	84.6	406
-	14.9	18.7	21.9	24.0	26.5	30.1	34.2	37.8	41.8	45.9	54.0	61.0	68.5	72.1	79.6	407
17.9	22.0	25.6	28.6	30.7	33.2	36.7	40.7	44.3	48.3	52.3	60.3	67.3	74.9	78.4	85.9	408
-	-	-	-	-	-	-	-	24.2	28.6	32.8	41.2	48.4	56.1	59.6	67.2	409
-	-	16.7	20.0	22.1	24.7	28.4	32.5	36.1	40.1	44.2	52.3	59.4	66.9	70.4	78.0	410
■ 0.85	0.86	0.88	0.91	0.92	0.94	0.96	0.98	0.98	1.00	1.02	1.05	1.07	1.09	1.10	1.12	■
13.6	17.9	21.6	24.7	26.7	29.3	32.9	36.9	40.5	44.5	48.5	56.6	63.6	71.1	74.7	82.2	411
14.4	18.7	22.3	25.4	27.4	30.0	33.5	37.6	41.1	45.2	49.2	57.2	64.3	71.8	75.3	82.8	412
-	-	-	-	-	18.6	22.5	26.8	30.4	34.6	38.7	46.9	54.0	61.6	65.1	72.7	413
-	15.0	18.8	22.0	24.1	26.7	30.3	34.4	37.9	42.0	46.0	54.1	61.2	68.7	72.2	79.7	414
16.6	20.8	24.4	27.4	29.5	32.0	35.5	39.6	43.1	47.1	51.1	59.2	66.2	73.7	77.2	84.7	415
■ 0.81	0.85	0.89	0.91	0.93	0.92	0.95	0.97	0.99	1.01	1.03	1.05	1.08	1.10	1.11	1.12	■
-	-	16.9	20.1	22.3	24.9	28.5	32.6	36.2	40.3	44.4	52.4	59.5	67.1	70.6	78.1	416
-	-	-	-	-	18.7	22.6	26.9	30.6	34.7	38.9	47.0	54.2	61.8	65.3	72.9	417
13.8	18.1	21.7	24.8	26.9	29.4	33.0	37.1	40.6	44.6	48.7	56.7	63.8	71.3	74.8	82.3	418
14.5	18.8	22.4	25.5	27.6	30.1	33.7	37.7	41.3	45.3	49.3	57.4	64.4	71.9	75.4	83.0	419
-	15.2	19.0	22.1	24.2	26.8	30.4	34.5	38.1	42.1	46.2	54.3	61.3	68.8	72.4	79.9	420
■ 0.80	0.84	0.86	0.90	0.91	0.91	0.94	0.97	0.98	1.00	1.02	1.05	1.07	1.09	1.10	1.12	■
-	-	-	-	-	-	-	-	24.6	29.0	33.2	41.6	48.8	56.5	60.0	67.7	421
-	-	-	-	-	18.8	22.7	27.0	30.7	34.9	39.0	47.2	54.3	61.9	65.4	73.0	422
-	-	17.0	20.3	22.4	25.0	28.7	32.8	36.4	40.4	44.5	52.6	59.6	67.2	70.7	78.3	423
16.8	20.9	24.5	27.6	29.6	32.1	35.7	39.7	43.2	47.3	51.3	59.3	66.4	73.9	77.4	84.9	424
13.9	18.2	21.9	25.0	27.0	29.6	33.1	37.2	40.8	44.8	48.8	56.9	63.9	71.4	75.0	82.5	425
■ 0.81	0.86	0.87	0.90	0.92	0.91	0.94	0.96	0.96	0.99	1.01	1.04	1.07	1.09	1.10	1.12	■
-	-	-	-	-	19.0	22.8	27.1	30.8	35.0	39.1	47.3	54.4	62.0	65.6	73.1	426
-	15.3	19.1	22.3	24.4	27.0	30.6	34.6	38.2	42.3	46.3	54.4	61.4	69.0	72.5	80.0	427
14.7	18.9	22.6	25.7	27.7	30.3	33.8	37.9	41.4	45.5	49.5	57.5	64.6	72.1	75.6	83.1	428
-	-	17.1	20.4	22.5	25.1	28.8	32.9	36.5	40.6	44.6	52.7	59.8	67.3	70.9	78.4	429
-	-	-	-	-	19.1	23.0	27.3	31.0	35.1	39.3	47.5	54.6	62.2	65.7	73.3	430
■ 0.80	0.83	0.86	0.89	0.91	0.89	0.92	0.95	0.97	0.99	1.01	1.04	1.07	1.09	1.10	1.12	■
-	-	-	-	-	-	-	21.0	25.0	29.4	33.6	42.0	49.2	56.9	60.5	68.1	431
14.0	18.3	22.0	25.1	27.2	29.7	33.3	37.4	40.9	44.9	49.0	57.0	64.1	71.6	75.1	82.6	432
-	15.4	19.2	22.4	24.5	27.1	30.7	34.8	38.4	42.4	46.5	54.5	61.6	69.1	72.7	80.2	433
-	-	-	-	-	-	-	-	-	-	-	32.5	40.1	48.0	51.7	59.5	434
-	-	17.2	20.5	22.6	25.3	28.9	33.0	36.6	40.7	44.8	52.9	59.9	67.5	71.0	78.6	435
■ 0.79	0.82	0.85	0.89	0.90	0.92	0.95	0.94	0.96	0.99	1.01	1.02	1.05	1.08	1.09	1.11	■
14.8	19.1	22.7	25.8	27.9	30.4	34.0	38.0	41.6	45.6	49.6	57.7	64.7	72.2	75.7	83.3	436
-	-	-	-	-	19.2	23.1	27.4	31.1	35.3	39.4	47.6	54.7	62.3	65.9	73.4	437
-	-	17.4	20.6	22.8	25.4	29.1	33.2	36.8	40.9	44.9	53.0	60.1	67.6	71.2	78.7	438
-	15.5	19.3	22.5	24.6	27.2	30.8	34.9	38.5	42.6	46.6	54.7	61.7	69.3	72.8	80.3	439
14.1	18.5	22.1	25.2	27.3	29.9	33.4	37.5	41.0	45.1	49.1	57.2	64.2	71.7	75.3	82.8	440
■ 0.79	0.83	0.86	0.89	0.91	0.91	0.94	0.96	0.98	1.00	1.02	1.05	1.07	1.09	1.10	1.12	■
-	-	-	-	-	19.3	23.2	27.5	31.2	35.4	39.5	47.7	54.9	62.5	66.0	73.6	441
-	-	-	-	-	-	-	21.2	25.2	29.6	33.9	42.3	49.5	57.2	60.8	68.4	442
14.9	19.2	22.8	25.9	28.0	30.5	34.1	38.2	41.7	45.7	49.8	57.8	64.9	72.4	75.9	83.4	443
-	-	-	-	-	-	-	21.3	25.3	29.7	34.0	42.4	49.6	57.3	60.9	68.5	444
-	-	-	-	-	19.4	23.4	27.7	31.4	35.5	39.7	47.9	55.0	62.6	66.2	73.7	445
■ 0.80	0.86	0.89	0.91	0.93	0.86	0.90	0.89	0.93	0.96	0.98	1.02	1.05	1.08	1.09	1.11	■
-	-	17.5	20.8	22.9	25.5	29.2	33.3	36.9	41.0	45.1	53.2	60.2	67.8	71.3	78.9	446
-	-	-	-	-	-	-	-	-	-	-	33.0	40.6	48.6	52.2	60.0	447
-	15.7	19.5	22.7	24.8	27.4	31.0	35.1	38.6	42.7	46.8	54.8	61.9	69.4	73.0	80.5	448
14.3	18.6	22.3	25.4	27.4	30.0	33.6	37.6	41.2	45.2	49.3	57.3	64.4	71.9	75.4	82.9	449
-	-	-	-	-	-	-	21.5	25.5	29.9	34.2	42.5	49.8	57.5	61.0	68.7	450
■ 0.78	0.82	0.85	0.88	0.90	0.92	0.95	0.93	0.96	0.98	1.01	1.02	1.05	1.07	1.08	1.11	■

▲ Not all available belt lengths are shown.

■ Combined Arc-Length correction factors for 5 preceding lines.



# BP & BX Belts In B Sheaves

## Drive Selection Tables

LINE #	RATIO	STOCK SHEAVES			DRIVEN SPEEDS AND HORSEPOWER RATINGS PER BELT								
		Datum Diameter		Number Grooves	1160 RPM			1750 RPM			3500 RPM		
		DR	DN		Driven Speed	H.P. Ratings		Driven Speed	H.P. Ratings		Driven Speed	H.P. Ratings	
						BP	BX		BP	BX		BP	BX
451	4.37	5.40	25.00	2-8,10	265	6.27	7.50	400	8.41	10.41	801	11.23	16.16
452	4.43	4.20	20.00	1-6	262	3.97	5.11	395	5.24	7.06	791	6.93	11.11
453	4.46	6.40	30.00	2-8,10	260	8.12	9.43	392	10.90	13.08	784	13.92	19.63
454	4.47	3.80	18.40	1-6	260	3.18	4.29	392	4.14	5.90	784	5.26	9.24
455	4.53	5.20	25.00	2-6	256	5.89	7.10	387	7.90	9.86	773	10.59	15.38
456	4.57	8.00	38.00	2-8,10	254	10.95	12.42	383	14.55	17.08	-	-	-
457	4.60	6.20	30.00	2-8,10	252	7.75	9.05	381	10.41	12.55	761	13.45	19.00
458	4.63	4.00	20.00	1-6	251	3.58	4.70	378	4.69	6.48	757	6.11	10.19
459	4.69	3.60	18.40	1-6	247	2.78	3.88	373	3.58	5.32	747	4.39	8.28
460	4.69	5.00	25.00	2-6	247	5.51	6.71	373	7.38	9.31	746	9.92	14.58
461	4.74	6.00	30.00	2-8,10	245	7.39	8.66	369	9.92	12.03	738	12.95	18.33
462	4.85	3.80	20.00	1-6	239	3.18	4.29	361	4.14	5.90	722	5.27	9.25
463	4.87	4.80	25.00	2-6	238	5.13	6.31	359	6.85	8.76	718	9.22	13.75
464	4.90	5.80	30.00	2-8,10	237	7.02	8.28	358	9.43	11.49	715	12.41	17.63
465	4.92	7.40	38.00	2-8,10	236	9.90	11.31	356	13.23	15.62	-	-	-
466	4.93	3.40	18.40	1-6	235	2.38	3.47	355	3.02	4.73	709	3.49	7.29
467	5.06	5.60	30.00	2-8,10	229	6.64	7.89	346	8.92	10.96	692	11.84	16.91
468	5.07	4.60	25.00	2-6	229	4.75	5.91	345	6.32	8.20	690	8.49	12.90
469	5.09	3.60	20.00	1-6	228	2.78	3.88	344	3.58	5.32	688	4.39	8.28
470	5.18	7.00	38.00	2-8,10	224	9.20	10.57	338	12.32	14.62	-	-	-
471	5.23	5.40	30.00	2-8,10	222	6.27	7.50	334	8.42	10.41	669	11.24	16.16
472	5.28	4.40	25.00	2-6	220	4.36	5.51	331	5.79	7.63	663	7.73	12.02
473	5.33	6.80	38.00	2-8,10	218	8.84	10.19	329	11.85	14.11	-	-	-
474	5.35	3.40	20.00	1-6	217	2.38	3.47	327	3.02	4.73	654	3.49	7.29
475	5.42	5.20	30.00	2-6	214	5.89	7.10	323	7.90	9.87	646	10.60	15.38
476	5.48	6.60	38.00	2-8,10	212	8.48	9.81	319	11.38	13.60	639	14.35	20.24
477	5.51	4.20	25.00	2-6	211	3.97	5.11	318	5.24	7.06	635	6.94	11.12
478	5.62	5.00	30.00	2-6	206	5.51	6.71	311	7.38	9.31	623	9.93	14.58
479	5.64	6.40	38.00	2-8,10	206	8.12	9.43	310	10.90	13.08	621	13.92	19.64
480	5.76	4.00	25.00	2-6	201	3.58	4.70	304	4.70	6.48	608	6.12	10.20
481	5.81	6.20	38.00	2-8,10	200	7.75	9.05	301	10.42	12.56	603	13.46	19.00
482	5.83	4.80	30.00	2-6	199	5.13	6.31	300	6.86	8.76	600	9.23	13.75
483	5.99	6.00	38.00	2-8,10	194	7.39	8.66	292	9.92	12.03	584	12.96	18.33
484	6.03	3.80	25.00	2-6	192	3.18	4.29	290	4.14	5.90	580	5.27	9.25
485	6.07	4.60	30.00	2-6	191	4.75	5.91	288	6.32	8.20	577	8.49	12.90
486	6.18	5.80	38.00	2-8,10	188	7.02	8.28	283	9.43	11.50	566	12.42	17.64
487	6.32	4.40	30.00	2-6	184	4.36	5.51	277	5.79	7.63	554	7.73	12.02
488	6.33	3.60	25.00	2-6	183	2.79	3.88	276	3.58	5.32	553	4.40	8.28
489	6.39	5.60	38.00	2-8,10	182	6.65	7.89	274	8.93	10.96	548	11.85	16.91
490	6.59	4.20	30.00	2-6	176	3.97	5.11	265	5.25	7.06	531	6.94	11.12
491	6.61	5.40	38.00	2-8,10	176	6.27	7.50	265	8.42	10.42	530	11.24	16.16
492	6.66	3.40	25.00	2-6	174	2.39	3.47	263	3.02	4.73	525	3.50	7.29
493	6.84	5.20	38.00	2-6	170	5.89	7.11	256	7.90	9.87	511	10.60	15.39
494	6.89	4.00	30.00	2-6	168	3.58	4.70	254	4.70	6.48	508	6.12	10.20
495	7.10	5.00	38.00	2-6	163	5.52	6.71	247	7.38	9.32	493	9.93	14.58
496	7.22	3.80	30.00	2-6	161	3.18	4.29	242	4.14	5.90	485	5.27	9.25
497	7.37	4.80	38.00	2-6	157	5.13	6.31	237	6.86	8.76	475	9.23	13.75
498	7.58	3.60	30.00	2-6	153	2.79	3.88	231	3.58	5.32	462	4.40	8.28
499	7.66	4.60	38.00	2-6	151	4.75	5.91	228	6.33	8.20	457	8.50	12.90
500	7.98	3.40	30.00	2-6	145	2.39	3.47	219	3.02	4.73	439	3.50	7.29

Shaded area diameters are below industry standard for belt.



# BP & BX Belts In B Sheaves

## Drive Selection Tables

CENTER DISTANCE AND COMBINED ARC-LENGTH CORRECTION FACTOR ▲																LINE #
B68	B75	B80	B85	B90	B96	B105	B112	B120	B128	B144	B150	B173	B180	B195	B210	
-	-	-	-	19.6	23.5	27.8	31.5	35.7	39.8	48.0	55.2	62.8	66.3	73.9	80.7	451
-	17.6	20.9	23.0	25.7	29.3	33.5	37.1	41.1	45.2	53.3	60.4	67.9	71.5	79.0	85.8	452
-	-	-	-	-	-	21.6	25.6	30.0	34.3	42.7	49.9	57.6	61.2	68.8	75.6	453
15.8	19.6	22.8	24.9	27.5	31.1	35.2	38.8	42.8	46.9	55.0	62.0	69.6	73.1	80.6	87.4	454
-	-	-	-	19.7	23.6	27.9	31.6	35.8	40.0	48.2	55.3	62.9	66.4	74.0	80.8	455
■	<b>0.80</b>	<b>0.83</b>	<b>0.87</b>	<b>0.89</b>	<b>0.87</b>	<b>0.91</b>	<b>0.92</b>	<b>0.95</b>	<b>0.97</b>	<b>0.99</b>	<b>1.03</b>	<b>1.06</b>	<b>1.08</b>	<b>1.09</b>	<b>1.11</b>	<b>1.13</b> ■
-	-	-	-	-	-	-	-	-	-	33.4	41.0	49.0	52.6	60.4	67.4	456
-	-	-	-	-	-	21.7	25.7	30.1	34.4	42.8	50.1	57.7	61.3	68.9	75.0	457
-	17.7	21.0	23.2	25.8	29.5	33.6	37.2	41.3	45.3	53.5	60.5	68.1	71.6	79.1	85.9	458
15.9	19.7	22.9	25.0	27.6	31.2	35.3	38.9	43.0	47.0	55.1	62.2	69.7	73.2	80.8	87.6	459
-	-	-	16.9	19.8	23.7	28.1	31.8	35.9	40.1	48.3	55.4	63.0	66.6	74.2	81.0	460
■	<b>0.79</b>	<b>0.83</b>	<b>0.87</b>	<b>0.85</b>	<b>0.88</b>	<b>0.92</b>	<b>0.91</b>	<b>0.95</b>	<b>0.97</b>	<b>0.99</b>	<b>1.01</b>	<b>1.04</b>	<b>1.07</b>	<b>1.08</b>	<b>1.10</b>	<b>1.12</b> ■
-	-	-	-	-	-	21.8	25.8	30.2	34.5	42.9	50.2	57.9	61.5	69.1	75.9	461
13.8	17.9	21.2	23.3	25.9	29.6	33.7	37.3	41.4	45.5	53.6	60.7	68.2	71.8	79.3	86.1	462
-	-	-	17.0	19.9	23.9	28.2	31.9	36.1	40.2	48.4	55.6	63.2	66.7	74.3	81.1	463
-	-	-	-	-	-	21.9	26.0	30.4	34.7	43.1	50.3	58.0	61.6	69.2	76.1	464
-	-	-	-	-	-	-	-	-	24.5	33.8	41.4	49.4	53.0	60.8	67.8	465
■	<b>0.73</b>	<b>0.82</b>	<b>0.86</b>	<b>0.82</b>	<b>0.86</b>	<b>0.90</b>	<b>0.88</b>	<b>0.92</b>	<b>0.95</b>	<b>0.94</b>	<b>1.00</b>	<b>1.03</b>	<b>1.06</b>	<b>1.07</b>	<b>1.10</b>	<b>1.11</b> ■
-	-	-	-	-	-	22.2	26.2	30.6	34.9	43.4	50.6	58.3	61.9	69.5	76.4	471
16.0	19.9	23.1	25.2	27.8	31.4	35.5	39.1	43.1	47.2	55.3	62.3	69.9	73.4	80.9	87.7	466
-	-	-	-	-	-	22.1	26.1	30.5	34.8	43.2	50.5	58.2	61.7	69.4	76.2	467
-	-	-	17.1	20.1	24.0	28.3	32.0	36.2	40.4	48.6	55.7	63.3	66.9	74.5	81.3	468
14.0	18.0	21.3	23.4	26.1	29.7	33.9	37.5	41.6	45.6	53.7	60.8	68.4	71.9	79.4	86.2	469
-	-	-	-	-	-	-	-	-	24.7	34.0	41.7	49.6	53.3	61.1	68.0	470
■	<b>0.76</b>	<b>0.83</b>	<b>0.87</b>	<b>0.85</b>	<b>0.88</b>	<b>0.91</b>	<b>0.91</b>	<b>0.94</b>	<b>0.97</b>	<b>0.95</b>	<b>1.01</b>	<b>1.04</b>	<b>1.07</b>	<b>1.08</b>	<b>1.10</b>	<b>1.12</b> ■
-	-	-	-	-	-	22.2	26.2	30.6	34.9	43.4	50.6	58.3	61.9	69.5	76.4	471
-	-	-	17.2	20.2	24.1	28.4	32.2	36.3	40.5	48.7	55.9	63.5	67.0	74.6	81.4	472
-	-	-	-	-	-	-	-	-	24.8	34.2	41.8	49.8	53.4	61.2	68.2	473
14.1	18.1	21.4	23.6	26.2	29.9	34.0	37.6	41.7	45.8	53.9	61.0	68.5	72.0	79.6	86.4	474
-	-	-	-	-	-	22.3	26.3	30.8	35.1	43.5	50.7	58.4	62.0	69.7	76.5	475
■	<b>0.73</b>	<b>0.81</b>	<b>0.86</b>	<b>0.82</b>	<b>0.86</b>	<b>0.90</b>	<b>0.88</b>	<b>0.91</b>	<b>0.95</b>	<b>0.94</b>	<b>1.00</b>	<b>1.03</b>	<b>1.06</b>	<b>1.07</b>	<b>1.09</b>	<b>1.11</b> ■
-	-	-	-	-	-	-	-	-	24.9	34.3	41.9	49.9	53.6	61.4	68.3	476
-	-	-	17.3	20.3	24.2	28.6	32.3	36.5	40.6	48.9	56.0	63.6	67.2	74.7	81.6	477
-	-	-	-	-	-	22.4	26.5	30.9	35.2	43.6	50.9	58.6	62.2	69.8	76.6	478
-	-	-	-	-	-	-	-	-	25.0	34.4	42.1	50.0	53.7	61.5	68.5	479
-	-	-	17.5	20.4	24.4	28.7	32.4	36.6	40.8	49.0	56.1	63.8	67.3	74.9	81.7	480
■			<b>0.76</b>	<b>0.82</b>	<b>0.87</b>	<b>0.88</b>	<b>0.92</b>	<b>0.95</b>	<b>0.90</b>	<b>0.98</b>	<b>1.02</b>	<b>1.05</b>	<b>1.06</b>	<b>1.09</b>	<b>1.10</b> ■	
-	-	-	-	-	-	-	-	-	25.2	34.5	42.2	50.2	53.8	61.6	68.6	481
-	-	-	-	-	-	22.5	26.6	31.0	35.3	43.8	51.0	58.7	62.3	69.9	76.8	482
-	-	-	-	-	-	-	-	-	25.3	34.6	42.3	50.3	54.0	61.8	68.7	483
-	-	-	17.6	20.5	24.5	28.8	32.6	36.8	40.9	49.1	56.3	63.9	67.4	75.0	81.8	484
-	-	-	-	-	-	22.7	26.7	31.1	35.5	43.9	51.1	58.9	62.4	70.1	76.9	485
■			<b>0.76</b>	<b>0.81</b>	<b>0.87</b>	<b>0.85</b>	<b>0.89</b>	<b>0.93</b>	<b>0.89</b>	<b>0.97</b>	<b>1.01</b>	<b>1.04</b>	<b>1.06</b>	<b>1.08</b>	<b>1.10</b> ■	
-	-	-	-	-	-	-	-	-	25.4	34.8	42.4	50.4	54.1	61.9	68.9	486
-	-	-	-	-	-	22.8	26.8	31.3	35.6	44.0	51.3	59.0	62.6	70.2	77.1	487
-	-	-	17.7	20.7	24.6	29.0	32.7	36.9	41.0	49.3	56.4	64.0	67.6	75.2	82.0	488
-	-	-	-	-	-	-	-	-	25.5	34.9	42.6	50.6	54.2	62.0	69.0	489
-	-	-	-	-	-	22.9	27.0	31.4	35.7	44.2	51.4	59.1	62.7	70.4	77.2	490
■			<b>0.76</b>	<b>0.81</b>	<b>0.87</b>	<b>0.84</b>	<b>0.89</b>	<b>0.93</b>	<b>0.89</b>	<b>0.97</b>	<b>1.01</b>	<b>1.04</b>	<b>1.06</b>	<b>1.08</b>	<b>1.10</b> ■	
-	-	-	-	-	-	-	-	-	25.6	35.0	42.7	50.7	54.4	62.2	69.1	491
-	-	-	17.8	20.8	24.7	29.1	32.8	37.0	41.2	49.4	56.6	64.2	67.7	75.3	82.1	492
-	-	-	-	-	-	-	-	-	25.7	35.1	42.8	50.8	54.5	62.3	69.3	493
-	-	-	-	-	-	23.0	27.1	31.5	35.8	44.3	51.6	59.3	62.9	70.5	77.4	494
-	-	-	-	-	-	-	-	-	25.9	35.3	43.0	51.0	54.6	62.4	69.4	495
■			<b>0.75</b>	<b>0.81</b>	<b>0.87</b>	<b>0.86</b>	<b>0.90</b>	<b>0.94</b>	<b>0.86</b>	<b>0.95</b>	<b>1.00</b>	<b>1.03</b>	<b>1.05</b>	<b>1.07</b>	<b>1.09</b> ■	
-	-	-	-	-	-	23.1	27.2	31.6	36.0	44.4	51.7	59.4	63.0	70.6	77.5	496
-	-	-	-	-	-	-	-	-	26.0	35.4	43.1	51.1	54.8	62.6	69.6	497
-	-	-	-	-	-	23.3	27.3	31.8	36.1	44.6	51.8	59.5	63.1	70.8	77.6	498
-	-	-	-	-	-	-	-	-	26.1	35.5	43.2	51.2	54.9	62.7	69.7	499
-	-	-	-	-	-	23.4	27.4	31.9	36.2	44.7	52.0	59.7	63.3	70.9	77.8	500
■						<b>0.81</b>	<b>0.87</b>	<b>0.91</b>	<b>0.88</b>	<b>0.96</b>	<b>1.00</b>	<b>1.04</b>	<b>1.05</b>	<b>1.08</b>	<b>1.10</b> ■	

▲ Not all available belt lengths are shown.

■ Combined Arc-Length correction factors for 5 preceding lines.

# BP & BX Belts In B Sheaves

## Drive Selection Tables

LINE #	RATIO	STOCK SHEAVES			DRIVEN SPEEDS AND HORSEPOWER RATINGS PER BELT								
		Datum Diameter		Number Grooves	1160 RPM			1750 RPM			3500 RPM		
		DR	DN		Driven Speed	H.P. Ratings		Driven Speed	H.P. Ratings		Driven Speed	H.P. Ratings	
						BP	BX		BP	BX		BP	BX
501	7.98	4.40	38.00	2-6	145	4.36	5.51	219	5.79	7.63	439	7.74	12.02
502	8.33	4.20	38.00	2-6	139	3.97	5.11	210	5.25	7.06	420	6.94	11.12
503	8.70	4.00	38.00	2-6	133	3.58	4.70	201	4.70	6.49	402	6.12	10.20
504	9.12	3.80	38.00	2-6	127	3.19	4.29	192	4.15	5.90	384	5.28	9.25
505	9.57	3.60	38.00	2-6	121	2.79	3.88	183	3.59	5.32	366	4.40	8.28
506	10.07	3.40	38.00	2-6	115	2.39	3.47	174	3.02	4.73	347	3.50	7.30

Shaded area diameters are below industry standard for belt.

# BP & BX Belts In B Sheaves

## Drive Selection Tables

CENTER DISTANCE AND COMBINED ARC-LENGTH CORRECTION FACTOR ▲											LINE
B128	B144	B158	B173	B180	B195	B210	B240	B270	B300	B360	#
26.2	35.6	43.3	51.4	55.0	62.9	69.8	85.2	100.4	115.6	145.9	501
26.3	35.8	43.5	51.5	55.2	63.0	70.0	85.3	100.6	115.8	146.0	502
26.5	35.9	43.6	51.6	55.3	63.1	70.1	85.5	100.7	115.9	146.2	503
26.6	36.0	43.7	51.7	55.4	63.3	70.2	85.6	100.9	116.1	146.3	504
26.7	36.1	43.9	51.9	55.6	63.4	70.4	85.8	101.0	116.2	146.5	505
■ 0.79	0.91	0.97	1.01	1.03	1.06	1.08	1.12	1.15	1.18	1.23	■
26.8	36.3	44.0	52.0	55.7	63.5	70.5	85.9	101.2	116.3	146.6	506
■ 0.79	0.91	0.97	1.01	1.03	1.06	1.08	1.12	1.15	1.18	1.23	■

▲ Not all available belt lengths are shown.

■ Combined Arc-Length correction factors for 5 preceding lines.

# CP & CX Belts In C Sheaves

## Drive Selection Tables

LINE #	RATIO	STOCK SHEAVES			DRIVEN SPEEDS AND HORSEPOWER RATINGS PER BELT								
		Datum Diameter		Number Grooves	870 RPM			1160 RPM			1750 RPM		
		DR	DN		Driven Speed	H.P. Ratings		Driven Speed	H.P. Ratings		Driven Speed	H.P. Ratings	
						CP	CX		CP	CX		CP	CX
1	1.00	7.00	7.00	1-8	870	7.98	10.15	1160	9.69	12.68	1750	12.09	16.86
2	1.00	7.50	7.50	1-6	870	9.16	11.36	1160	11.17	14.20	1750	14.00	18.89
3	1.00	8.00	8.00	1-10	870	10.33	12.55	1160	12.62	15.70	1750	15.84	20.85
4	1.00	8.50	8.50	1-10	870	11.48	13.73	1160	14.05	17.18	1750	17.62	22.77
5	1.00	9.00	9.00	1-10,12	870	12.62	14.90	1160	15.45	18.64	1750	19.32	24.61
6	1.00	9.50	9.50	1-10,12	870	13.74	16.06	1160	16.82	20.07	1750	20.94	26.40
7	1.00	10.00	10.00	1-10,12	870	14.85	17.20	1160	18.17	21.48	1750	22.49	28.12
8	1.00	10.50	10.50	1-10,12	870	15.95	18.33	1160	19.49	22.87	1750	23.96	29.78
9	1.00	11.00	11.00	1-10,12	870	17.03	19.45	1160	20.78	24.23	1750	25.35	31.37
10	1.00	12.00	12.00	1-10,12	870	19.15	21.65	1160	23.27	26.88	1750	27.86	34.32
11	1.00	13.00	13.00	1-10,12	870	21.21	23.80	1160	25.64	29.43	1750	30.00	36.98
12	1.00	14.00	14.00	1-10,12	870	23.20	25.90	1160	27.88	31.87	-	-	-
13	1.00	16.00	16.00	1-10,12	870	27.00	29.92	1160	31.96	36.41	-	-	-
14	1.05	10.50	11.00	1-10,12	832	16.14	18.54	1109	19.74	23.14	1673	24.35	30.18
15	1.05	10.00	10.50	1-10,12	830	15.05	17.41	1107	18.44	21.76	1670	22.89	28.55
16	1.05	9.50	10.00	1-10,12	828	13.95	16.28	1104	17.10	20.36	1666	21.36	26.84
17	1.05	9.00	9.50	1-10,12	826	12.83	15.13	1101	15.74	18.94	1662	19.75	25.08
18	1.06	8.50	9.00	1-10	824	11.71	13.97	1098	14.36	17.50	1657	18.07	23.25
19	1.06	8.00	8.50	1-10	821	10.57	12.81	1095	12.94	16.04	1652	16.32	21.36
20	1.06	7.50	8.00	1-6	818	9.41	11.62	1091	11.51	14.55	1646	14.51	19.42
21	1.07	7.00	7.50	1-6	815	8.24	10.43	1087	10.05	13.05	1639	12.62	17.43
22	1.07	13.00	14.00	1-10,12	810	21.50	24.11	1079	26.03	29.83	1628	30.59	37.59
23	1.08	12.00	13.00	1-10,12	805	19.46	21.98	1073	23.68	27.31	1619	28.48	34.98
24	1.09	11.00	12.00	1-10,12	800	17.36	19.80	1066	21.22	24.69	1609	26.01	32.06
25	1.10	10.00	11.00	1-10,12	794	15.21	17.58	1058	18.65	21.98	1596	23.21	28.87
26	1.10	9.50	10.50	1-10,12	790	14.11	16.45	1054	17.32	20.59	1589	21.69	27.18
27	1.11	9.00	10.00	1-10,12	786	13.00	15.31	1048	15.96	19.17	1582	20.09	25.42
28	1.11	8.50	9.50	1-10	782	11.88	14.15	1043	14.58	17.74	1573	18.42	23.61
29	1.12	8.00	9.00	1-10	777	10.74	12.99	1037	13.18	16.28	1564	16.68	21.73
30	1.12	16.00	18.00	1-10,12	775	27.43	30.37	1034	32.53	37.00	-	-	-
31	1.13	7.50	8.50	1-6	772	9.59	11.81	1030	11.75	14.81	1553	14.88	19.80
32	1.14	7.00	8.00	1-8	766	8.43	10.63	1022	10.30	13.31	1542	13.01	17.82
33	1.14	10.50	12.00	1-10,12	765	16.41	18.82	1020	20.11	23.51	1538	24.89	30.75
34	1.14	14.00	16.00	1-10,12	764	23.67	26.38	1019	28.51	32.52	-	-	-
35	1.15	9.50	11.00	1-10,12	756	14.24	16.57	1007	17.49	20.76	1520	21.94	27.44
36	1.16	9.00	10.50	1-10,12	750	13.13	15.44	1000	16.13	19.35	1509	20.35	25.69
37	1.16	12.00	14.00	1-10,12	749	19.66	22.19	999	23.96	27.59	1507	28.90	35.40
38	1.17	8.50	10.00	1-10	745	12.01	14.29	993	14.76	17.92	1498	18.68	23.87
39	1.18	11.00	13.00	1-10,12	740	17.57	20.02	987	21.51	24.98	1489	26.44	32.50
40	1.18	8.00	9.50	1-10	738	10.88	13.12	984	13.36	16.46	1485	16.95	22.00
41	1.19	7.50	9.00	1-6	731	9.73	11.95	975	11.93	14.99	1471	15.15	20.08
42	1.19	10.00	12.00	1-10,12	730	15.43	17.80	973	18.94	22.28	1468	23.65	29.32
43	1.20	7.00	8.50	1-8	723	8.57	10.77	964	10.49	13.50	1455	13.28	18.10
44	1.21	9.00	11.00	1-10,12	717	13.23	15.53	956	16.27	19.48	1443	20.55	25.89
45	1.22	13.00	16.00	1-10,12	711	21.84	24.45	948	26.48	30.29	1430	31.27	38.29
46	1.22	8.50	10.50	1-10	710	12.11	14.38	947	14.89	18.05	1429	18.89	24.07
47	1.23	10.50	13.00	1-10,12	708	16.59	18.99	944	20.34	23.74	1424	25.24	31.10
48	1.24	8.00	10.00	1-10	703	10.98	13.22	937	13.49	16.59	1413	17.15	22.20
49	1.24	16.00	20.00	1-10,12	699	27.66	30.60	933	32.84	37.32	-	-	-
50	1.25	9.50	12.00	1-10,12	695	14.41	16.75	926	17.72	20.99	1397	22.29	27.79

# CP & CX Belts In C Sheaves

## Drive Selection Tables

CENTER DISTANCE AND COMBINED ARC-LENGTH CORRECTION FACTOR ▲																LINE #	
C51	C60	C68	C75	C81	C85	C90	C96	C105	C112	C120	C128	C136	C144	C158	C162		
16.0	20.5	24.5	28.0	31.0	33.0	35.5	38.5	43.0	46.5	50.5	54.5	58.5	62.5	69.5	71.5	1	
15.2	19.7	23.7	27.2	30.2	32.2	34.7	37.7	42.2	45.7	49.7	53.7	57.7	61.7	68.7	70.7	2	
14.4	18.9	22.9	26.4	29.4	31.4	33.9	36.9	41.4	44.9	48.9	52.9	56.9	60.9	67.9	69.9	3	
13.6	18.1	22.1	25.6	28.6	30.6	33.1	36.1	40.6	44.1	48.1	52.1	56.1	60.1	67.1	69.1	4	
12.8	17.3	21.3	24.8	27.8	29.8	32.3	35.3	39.8	43.3	47.3	51.3	55.3	59.3	66.3	68.3	5	
■ 0.82	0.85	0.87	0.88	0.90	0.91	0.92	0.93	0.94	0.95	0.97	0.98	0.99	1.00	1.01	1.02	■	
12.0	16.5	20.5	24.0	27.0	29.0	31.5	34.5	39.0	42.5	46.5	50.5	54.5	58.5	65.5	67.5	6	
-	15.7	19.7	23.2	26.2	28.2	30.7	33.7	38.2	41.7	45.7	49.7	53.7	57.7	64.7	66.7	7	
-	15.0	19.0	22.5	25.5	27.5	30.0	33.0	37.5	41.0	45.0	49.0	53.0	57.0	64.0	66.0	8	
-	14.2	18.2	21.7	24.7	26.7	29.2	32.2	36.7	40.2	44.2	48.2	52.2	56.2	63.2	65.2	9	
-	-	16.6	20.1	23.1	25.1	27.6	30.6	35.1	38.6	42.6	46.6	50.6	54.6	61.6	63.6	10	
■ 0.82	0.85	0.87	0.88	0.90	0.91	0.92	0.93	0.94	0.95	0.97	0.98	0.99	1.00	1.01	1.02	■	
-	-	-	18.5	21.5	23.5	26.0	29.0	33.5	37.0	41.0	45.0	49.0	53.0	60.0	62.0	11	
-	-	-	17.0	20.0	22.0	24.5	27.5	32.0	35.5	39.5	43.5	47.5	51.5	58.5	60.5	12	
-	-	-	-	-	18.8	21.3	24.3	28.8	32.3	36.3	40.3	44.3	48.3	55.3	57.3	13	
-	14.6	18.6	22.1	25.1	27.1	29.6	32.6	37.1	40.6	44.6	48.6	52.6	56.6	63.6	65.6	14	
-	15.3	19.3	22.8	25.8	27.8	30.3	33.3	37.8	41.3	45.3	49.3	53.3	57.3	64.3	66.3	15	
■	0.84	0.87	0.88	0.90	0.91	0.92	0.93	0.94	0.95	0.97	0.98	0.99	1.00	1.01	1.02	■	
-	16.1	20.1	23.6	26.6	28.6	31.1	34.1	38.6	42.1	46.1	50.1	54.1	58.1	65.1	67.1	16	
12.4	16.9	20.9	24.4	27.4	29.4	31.9	34.9	39.4	42.9	46.9	50.9	54.9	58.9	65.9	67.9	17	
13.2	17.7	21.7	25.2	28.2	30.2	32.7	35.7	40.2	43.7	47.7	51.7	55.7	59.7	66.7	68.7	18	
14.0	18.5	22.5	26.0	29.0	31.0	33.5	36.5	41.0	44.5	48.5	52.5	56.5	60.5	67.5	69.5	19	
14.8	19.3	23.3	26.8	29.8	31.8	34.3	37.3	41.8	45.3	49.3	53.3	57.3	61.3	68.3	70.3	20	
■ 0.81	0.84	0.87	0.88	0.90	0.90	0.91	0.93	0.94	0.95	0.97	0.98	0.99	1.00	1.01	1.02	■	
15.6	20.1	24.1	27.6	30.6	32.6	35.1	38.1	42.6	46.1	50.1	54.1	58.1	62.1	69.1	71.1	21	
-	-	-	17.7	20.7	22.7	25.2	28.2	32.7	36.2	40.2	44.2	48.2	52.2	59.2	61.2	22	
-	-	15.8	19.3	22.3	24.3	26.8	29.8	34.3	37.8	41.8	45.8	49.8	53.8	60.8	62.8	23	
-	-	17.4	20.9	23.9	25.9	28.4	31.4	35.9	39.4	43.4	47.4	51.4	55.4	62.4	64.4	24	
-	14.9	19.0	22.5	25.5	27.5	30.0	33.0	37.5	41.0	45.0	49.0	53.0	57.0	64.0	66.0	25	
■ 0.82	0.84	0.86	0.88	0.89	0.90	0.91	0.92	0.94	0.95	0.96	0.98	0.99	1.00	1.01	1.02	■	
-	15.7	19.7	23.2	26.2	28.2	30.7	33.7	38.2	41.7	45.7	49.7	53.7	57.7	64.7	66.7	26	
12.0	16.5	20.5	24.0	27.0	29.0	31.5	34.5	39.0	42.5	46.5	50.5	54.5	58.5	65.5	67.5	27	
12.8	17.3	21.3	24.8	27.8	29.8	32.3	35.3	39.8	43.3	47.3	51.3	55.3	59.3	66.3	68.3	28	
13.6	18.1	22.1	25.6	28.6	30.6	33.1	36.1	40.6	44.1	48.1	52.1	56.1	60.1	67.1	69.1	29	
-	-	-	-	-	-	19.7	22.7	27.2	30.7	34.7	38.7	42.7	46.7	53.7	55.7	30	
■ 0.81	0.84	0.86	0.88	0.89	0.90	0.91	0.92	0.94	0.95	0.96	0.97	0.99	1.00	1.01	1.02	■	
14.4	18.9	22.9	26.4	29.4	31.4	33.9	36.9	41.4	44.9	48.9	52.9	56.9	60.9	67.9	69.9	31	
15.2	19.7	23.7	27.2	30.2	32.2	34.7	37.7	42.2	45.7	49.7	53.7	57.7	61.7	68.7	70.7	32	
-	13.8	17.8	21.3	24.3	26.3	28.8	31.8	36.3	39.8	43.8	47.8	51.8	55.8	62.8	64.8	33	
-	-	-	-	18.4	20.4	22.9	25.9	30.4	33.9	37.9	41.9	45.9	49.9	56.9	58.9	34	
-	15.3	19.3	22.8	25.8	27.8	30.3	33.3	37.8	41.3	45.3	49.3	53.3	57.3	64.3	66.3	35	
■ 0.81	0.84	0.86	0.88	0.89	0.90	0.91	0.92	0.94	0.95	0.96	0.97	0.99	1.00	1.01	1.02	■	
-	16.1	20.1	23.6	26.6	28.6	31.1	34.1	38.6	42.1	46.1	50.1	54.1	58.1	65.1	67.1	36	
-	-	-	18.5	21.5	23.5	26.0	29.0	33.5	37.0	41.0	45.0	49.0	53.0	60.0	62.0	37	
12.4	16.9	20.9	24.4	27.4	29.4	31.9	34.9	39.4	42.9	46.9	50.9	54.9	58.9	65.9	67.9	38	
-	-	16.6	20.1	23.1	25.1	27.6	30.6	35.1	38.6	42.6	46.6	50.6	54.6	61.6	63.6	39	
13.2	17.7	21.7	25.2	28.2	30.2	32.7	35.7	40.2	43.7	47.7	51.7	55.7	59.7	66.7	68.7	40	
■ 0.81	0.84	0.86	0.88	0.89	0.90	0.91	0.92	0.94	0.95	0.96	0.97	0.98	0.99	1.01	1.02	■	
14.0	18.5	22.5	26.0	29.0	31.0	33.5	36.5	41.0	44.5	48.5	52.5	56.5	60.5	67.5	69.5	41	
-	14.1	18.1	21.6	24.7	26.7	29.2	32.2	36.7	40.2	44.2	48.2	52.2	56.2	63.2	65.2	42	
14.8	19.3	23.3	26.8	29.8	31.8	34.3	37.3	41.8	45.3	49.3	53.3	57.3	61.3	68.3	70.3	43	
-	15.7	19.7	23.2	26.2	28.2	30.7	33.7	38.2	41.7	45.7	49.7	53.7	57.7	64.7	66.7	44	
-	-	-	-	19.1	21.1	23.6	26.6	31.1	34.6	38.6	42.6	46.6	50.6	57.6	59.6	45	
■ 0.81	0.83	0.86	0.88	0.89	0.90	0.91	0.92	0.94	0.95	0.96	0.97	0.98	0.99	1.01	1.02	■	
-	16.5	20.5	24.0	27.0	29.0	31.5	34.5	39.0	42.5	46.5	50.5	54.5	58.5	65.5	67.5	46	
-	-	16.9	20.5	23.5	25.5	28.0	31.0	35.5	39.0	43.0	47.0	51.0	55.0	62.0	64.0	47	
12.8	17.3	21.3	24.8	27.8	29.8	32.3	35.3	39.8	43.3	47.3	51.3	55.3	59.3	66.3	68.3	48	
-	-	-	-	-	-	-	-	21.1	25.6	29.1	33.1	37.1	41.1	45.1	52.1	54.1	49
-	14.5	18.5	22.0	25.0	27.0	29.5	32.5	37.0	40.5	44.5	48.5	52.5	56.6	63.6	65.6	50	
■ 0.80	0.83	0.85	0.87	0.89	0.90	0.91	0.92	0.93	0.95	0.96	0.97	0.98	0.99	1.01	1.01	■	

▲ Not all available belt lengths are shown.

■ Combined Arc-Length correction factors for 5 preceding lines.

# CP & CX Belts In C Sheaves

## Drive Selection Tables

LINE #	RATIO	STOCK SHEAVES			DRIVEN SPEEDS AND HORSEPOWER RATINGS PER BELT								
		Datum Diameter		Number Grooves	870 RPM			1160 RPM			1750 RPM		
		DR	DN		Driven Speed	H.P. Ratings		Driven Speed	H.P. Ratings		Driven Speed	H.P. Ratings	
						CP	CX		CP	CX		CP	CX
51	1.25	7.50	9.50	1-6	694	9.83	12.05	926	12.07	15.12	1396	15.35	20.28
52	1.26	11.00	14.00	1-10,12	689	17.72	20.16	918	21.69	25.17	1385	26.73	32.78
53	1.27	7.00	9.00	1-8	685	8.67	10.86	913	10.62	13.63	1378	13.48	18.29
54	1.28	14.00	18.00	1-10,12	681	23.91	26.62	908	28.82	32.83	-	-	-
55	1.28	8.50	11.00	1-10	679	12.19	14.46	906	14.99	18.15	1366	19.04	24.22
56	1.29	10.00	13.00	1-10,12	675	15.57	17.94	900	19.13	22.46	1358	23.93	29.60
57	1.30	8.00	10.50	1-10	670	11.05	13.30	894	13.59	16.69	1349	17.31	22.35
58	1.32	7.50	10.00	1-6	661	9.91	12.12	881	12.17	15.22	1329	15.50	20.42
59	1.32	9.00	12.00	1-10,12	660	13.37	15.67	879	16.45	19.66	1327	20.83	26.15
60	1.32	10.50	14.00	1-10,12	659	16.70	19.10	878	20.49	23.89	1325	25.47	31.32
61	1.32	12.00	16.00	1-10,12	658	19.90	22.42	877	24.28	27.90	1323	29.37	35.87
62	1.34	7.00	9.50	1-8	650	8.74	10.93	867	10.72	13.72	1308	13.63	18.44
63	1.35	9.50	13.00	1-10,12	643	14.52	16.86	857	17.87	21.13	1293	22.52	28.00
64	1.36	8.00	11.00	1-10	641	11.11	13.35	855	13.67	16.77	1289	17.42	22.46
65	1.37	13.00	18.00	1-10,12	634	22.01	24.61	845	26.71	30.51	1274	31.61	38.61
66	1.38	7.50	10.50	1-6	631	9.96	12.17	841	12.24	15.29	1268	15.62	20.53
67	1.38	10.00	14.00	1-10,12	628	15.66	18.02	838	19.25	22.57	1264	24.12	29.77
68	1.39	8.50	12.00	1-10	624	12.29	14.56	833	15.14	18.28	1256	19.26	24.43
69	1.41	7.00	10.00	1-8	619	8.80	10.99	825	10.79	13.79	1245	13.74	18.54
70	1.42	14.00	20.00	1-10,12	614	24.03	26.74	819	28.99	32.99	-	-	-
71	1.43	9.00	13.00	1-10,12	610	13.46	15.75	814	16.57	19.77	1228	21.00	26.32
72	1.44	11.00	16.00	1-10,12	605	17.88	20.31	806	21.91	25.37	1216	27.05	33.08
73	1.44	7.50	11.00	1-6	603	10.01	12.22	804	12.30	15.34	1213	15.71	20.61
74	1.45	9.50	14.00	1-10,12	598	14.60	16.92	798	17.97	21.22	1203	22.66	28.14
75	1.47	7.00	10.50	1-8	591	8.84	11.02	788	10.85	13.84	1188	13.83	18.62
76	1.48	8.00	12.00	1-10	589	11.19	13.43	786	13.78	16.87	1185	17.59	22.61
77	1.48	12.00	18.00	1-10,12	586	20.02	22.53	782	24.43	28.05	1179	29.61	36.09
78	1.49	16.00	24.00	1-10,12	585	27.88	30.80	780	33.13	37.59	-	-	-
79	1.50	10.50	16.00	1-10,12	578	16.83	19.22	771	20.67	24.05	1163	25.74	31.56
80	1.51	8.50	13.00	1-10	578	12.36	14.62	770	15.23	18.36	1162	19.39	24.55
81	1.52	13.00	20.00	1-10,12	571	22.10	24.70	762	26.83	30.62	1150	31.80	38.78
82	1.53	9.00	14.00	1-10,12	568	13.51	15.80	757	16.64	19.83	1142	21.12	26.42
83	1.54	7.00	11.00	1-8	565	8.87	11.05	753	10.89	13.88	1136	13.90	18.67
84	1.57	7.50	12.00	1-6	554	10.07	12.27	739	12.39	15.42	1115	15.83	20.72
85	1.58	10.00	16.00	1-10,12	552	15.77	18.12	736	19.39	22.70	1110	24.33	29.96
86	1.60	8.00	13.00	1-10	545	11.25	13.47	727	13.85	16.93	1097	17.69	22.71
87	1.61	11.00	18.00	1-10,12	539	17.96	20.38	719	22.01	25.46	1084	27.21	33.23
88	1.62	8.50	14.00	1-10	538	12.41	14.66	717	15.29	18.42	1082	19.48	24.63
89	1.65	12.00	20.00	1-10,12	529	20.08	22.59	705	24.52	28.13	1064	29.74	36.20
90	1.66	9.50	16.00	1-10,12	525	14.68	17.00	700	18.08	21.32	1056	22.83	28.29
91	1.67	16.00	27.00	2-9	521	27.95	30.87	694	33.22	37.67	-	-	-
92	1.68	7.00	12.00	1-8	519	8.92	11.09	692	10.95	13.93	1044	13.99	18.76
93	1.69	10.50	18.00	1-10,12	515	16.90	19.28	687	20.75	24.13	1037	25.87	31.68
94	1.69	14.00	24.00	1-10,12	513	24.15	26.84	685	29.15	33.13	-	-	-
95	1.70	7.50	13.00	1-6	513	10.11	12.31	684	12.44	15.46	1032	15.91	20.79
96	1.71	8.00	14.00	1-10	508	11.28	13.50	677	13.90	16.97	1021	17.76	22.77
97	1.74	9.00	16.00	1-10,12	499	13.58	15.86	665	16.73	19.91	1003	21.25	26.54
98	1.77	10.00	18.00	1-10,12	492	15.82	18.16	656	19.46	22.76	989	24.44	30.06
99	1.79	11.00	20.00	1-10,12	486	18.00	20.42	648	22.07	25.51	978	27.30	33.31
100	1.81	7.00	13.00	1-8	480	8.95	11.12	641	10.99	13.97	966	14.05	18.81

# CP & CX Belts In C Sheaves

## Drive Selection Tables

CENTER DISTANCE AND COMBINED ARC-LENGTH CORRECTION FACTOR ▲																LINE #
C60	C68	C75	C81	C85	C90	C96	C105	C112	C120	C128	C136	C144	C158	C162	C173	
18.1	22.1	25.6	28.6	30.6	33.1	36.1	40.6	44.1	48.1	52.1	56.1	60.1	67.1	69.1	74.6	51
-	15.7	19.3	22.3	24.3	26.8	29.8	34.3	37.8	41.8	45.8	49.8	53.8	60.8	62.8	68.3	52
18.9	22.9	26.4	29.4	31.4	33.9	36.9	41.4	44.9	48.9	52.9	56.9	60.9	67.9	69.9	75.4	53
-	-	-	-	18.7	21.2	24.2	28.7	32.3	36.3	40.3	44.3	48.3	55.3	57.3	62.8	54
16.1	20.1	23.6	26.6	28.6	31.1	34.1	38.6	42.1	46.1	50.1	54.1	58.1	65.1	67.1	72.6	55
■ 0.83	0.85	0.87	0.89	0.89	0.90	0.92	0.93	0.95	0.96	0.97	0.98	0.99	1.01	1.01	1.03	■
-	17.3	20.8	23.8	25.8	28.3	31.3	35.9	39.4	43.4	47.4	51.4	55.4	62.4	64.4	69.9	56
16.9	20.9	24.4	27.4	29.4	31.9	34.9	39.4	42.9	46.9	50.9	54.9	58.9	65.9	67.9	73.4	57
17.7	21.7	25.2	28.2	30.2	32.7	35.7	40.2	43.7	47.7	51.7	55.7	59.7	66.7	68.7	74.2	58
14.9	18.9	22.4	25.4	27.4	29.9	32.9	37.4	40.9	44.9	48.9	52.9	56.9	63.9	65.9	71.4	59
-	16.1	19.6	22.6	24.6	27.2	30.2	34.7	38.2	42.2	46.2	50.2	54.2	61.2	63.2	68.7	60
■ 0.83	0.85	0.87	0.88	0.89	0.90	0.92	0.93	0.95	0.96	0.97	0.98	0.99	1.01	1.01	1.03	■
-	-	16.8	19.9	21.9	24.4	27.4	31.9	35.4	39.4	43.4	47.4	51.4	58.4	60.4	65.9	61
18.4	22.5	26.0	29.0	31.0	33.5	36.5	41.0	44.5	48.5	52.5	56.5	60.5	67.5	69.5	75.0	62
-	17.7	21.2	24.2	26.2	28.7	31.7	36.2	39.7	43.7	47.7	51.7	55.8	62.8	64.8	70.3	63
16.5	20.5	24.0	27.0	29.0	31.5	34.5	39.0	42.5	46.5	50.5	54.5	58.5	65.5	67.5	73.0	64
-	-	-	-	19.4	22.0	25.0	29.5	33.0	37.0	41.0	45.0	49.0	56.0	58.0	63.6	65
■ 0.83	0.85	0.87	0.88	0.89	0.90	0.91	0.93	0.94	0.96	0.97	0.98	0.99	1.01	1.01	1.02	■
17.2	21.3	24.8	27.8	29.8	32.3	35.3	39.8	43.3	47.3	51.3	55.3	59.3	66.3	68.3	73.8	66
-	16.5	20.0	23.0	25.0	27.5	30.5	35.0	38.5	42.6	46.6	50.6	54.6	61.6	63.6	69.1	67
15.2	19.3	22.8	25.8	27.8	30.3	33.3	37.8	41.3	45.3	49.3	53.3	57.3	64.3	66.3	71.8	68
18.0	22.0	25.6	28.6	30.6	33.1	36.1	40.6	44.1	48.1	52.1	56.1	60.1	67.1	69.1	74.6	69
-	-	-	-	19.5	22.5	27.1	30.6	34.6	38.6	42.6	46.6	50.6	57.6	59.6	65.2	70
■ 0.82	0.85	0.87	0.88	0.89	0.90	0.91	0.93	0.94	0.95	0.97	0.98	0.99	1.01	1.01	1.02	■
14.0	18.1	21.6	24.6	26.6	29.1	32.1	36.6	40.1	44.1	48.1	52.1	56.1	63.1	65.1	70.6	71
-	-	17.6	20.6	22.6	25.1	28.1	32.6	36.2	40.2	44.2	48.2	52.2	59.2	61.2	66.7	72
16.8	20.8	24.4	27.4	29.4	31.9	34.9	39.4	42.9	46.9	50.9	54.9	58.9	65.9	67.9	73.4	73
-	16.8	20.4	23.4	25.4	27.9	30.9	35.4	38.9	42.9	46.9	50.9	54.9	62.0	64.0	69.5	74
17.6	21.6	25.1	28.2	30.2	32.7	35.7	40.2	43.7	47.7	51.7	55.7	59.7	66.7	68.7	74.2	75
■ 0.82	0.84	0.86	0.88	0.89	0.90	0.91	0.93	0.94	0.95	0.97	0.98	0.99	1.01	1.01	1.02	■
15.6	19.6	23.2	26.2	28.2	30.7	33.7	38.2	41.7	45.7	49.7	53.7	57.7	64.7	66.7	72.2	76
-	-	-	18.1	20.2	22.7	25.7	30.2	33.8	37.8	41.8	45.8	49.8	56.8	58.8	64.3	77
-	-	-	-	-	-	-	-	25.7	29.8	33.8	37.8	41.8	48.9	50.9	56.4	78
-	-	17.9	21.0	23.0	25.5	28.5	33.0	36.5	40.5	44.6	48.6	52.6	59.6	61.6	67.1	79
14.4	18.4	21.9	25.0	27.0	29.5	32.5	37.0	40.5	44.5	48.5	52.5	56.5	63.5	65.5	71.0	80
■ 0.81	0.84	0.86	0.87	0.88	0.89	0.91	0.92	0.93	0.95	0.96	0.97	0.98	1.00	1.01	1.02	■
-	-	-	-	-	20.2	23.3	27.8	31.3	35.4	39.4	43.4	47.4	54.4	56.4	61.9	81
-	17.2	20.7	23.8	25.8	28.3	31.3	35.8	39.3	43.3	47.3	51.3	55.3	62.3	64.3	69.8	82
17.2	21.2	24.7	27.7	29.7	32.3	35.3	39.8	43.3	47.3	51.3	55.3	59.3	66.3	68.3	73.8	83
16.0	20.0	23.5	26.5	28.5	31.1	34.1	38.6	42.1	46.1	50.1	54.1	58.1	65.1	67.1	72.6	84
-	-	18.3	21.3	23.3	25.9	28.9	33.4	36.9	40.9	44.9	48.9	52.9	60.0	62.0	67.5	85
■ 0.82	0.84	0.86	0.87	0.88	0.89	0.90	0.92	0.94	0.95	0.96	0.97	0.99	1.00	1.01	1.02	■
14.7	18.8	22.3	25.3	27.3	29.9	32.9	37.4	40.9	44.9	48.9	52.9	56.9	63.9	65.9	71.4	86
-	-	-	18.8	20.9	23.4	26.4	31.0	34.5	38.5	42.5	46.5	50.6	57.6	59.6	65.1	87
-	17.6	21.1	24.1	26.1	28.6	31.7	36.2	39.7	43.7	47.7	51.7	55.7	62.7	64.7	70.2	88
-	-	-	-	-	20.9	24.0	28.5	32.1	36.1	40.1	44.1	48.2	55.2	57.2	62.7	89
-	-	18.6	21.7	23.7	26.2	29.2	33.8	37.3	41.3	45.3	49.3	53.3	60.3	62.3	67.8	90
■ 0.81	0.83	0.85	0.86	0.88	0.88	0.90	0.92	0.93	0.95	0.96	0.97	0.98	1.00	1.01	1.02	■
-	-	-	-	-	-	-	-	-	27.1	31.2	35.2	39.3	46.4	48.4	53.9	91
16.3	20.4	23.9	26.9	28.9	31.4	34.4	38.9	42.5	46.5	50.5	54.5	58.5	65.5	67.5	73.0	92
-	-	-	19.2	21.2	23.8	26.8	31.3	34.9	38.9	42.9	46.9	50.9	57.9	59.9	65.5	93
-	-	-	-	-	-	-	23.6	27.1	31.2	35.3	39.3	43.3	50.4	52.4	57.9	94
15.1	19.2	22.7	25.7	27.7	30.2	33.2	37.7	41.3	45.3	49.3	53.3	57.3	64.3	66.3	71.8	95
■ 0.81	0.84	0.86	0.87	0.88	0.89	0.90	0.91	0.93	0.94	0.95	0.96	0.98	1.00	1.00	1.01	■
13.8	17.9	21.5	24.5	26.5	29.0	32.0	36.5	40.1	44.1	48.1	52.1	56.1	63.1	65.1	70.6	96
-	15.4	19.0	22.0	24.1	26.6	29.6	34.1	37.7	41.7	45.7	49.7	53.7	60.7	62.7	68.2	97
-	-	-	19.5	21.6	24.1	27.2	31.7	35.2	39.3	43.3	47.3	51.3	58.3	60.3	65.8	98
-	-	-	-	19.1	21.6	24.7	29.3	32.8	36.8	40.9	44.9	48.9	55.9	57.9	63.4	99
15.5	19.5	23.0	26.1	28.1	30.6	33.6	38.1	41.6	45.6	49.7	53.7	57.7	64.7	66.7	72.2	100
■ 0.80	0.82	0.85	0.86	0.87	0.88	0.90	0.92	0.93	0.94	0.96	0.97	0.98	1.00	1.00	1.02	■

▲ Not all available belt lengths are shown.

■ Combined Arc-Length correction factors for 5 preceding lines.



# CP & CX Belts In C Sheaves

## Drive Selection Tables

LINE #	RATIO	STOCK SHEAVES			DRIVEN SPEEDS AND HORSEPOWER RATINGS PER BELT								
		Datum Diameter		Number Grooves	870 RPM			1160 RPM			1750 RPM		
		DR	DN		Driven Speed	H.P. Ratings		Driven Speed	H.P. Ratings		Driven Speed	H.P. Ratings	
						CP	CX		CP	CX		CP	CX
101	1.82	13.00	24.00	1-10,12	478	22.18	24.77	637	26.94	30.72	961	31.97	38.93
102	1.82	7.50	14.00	1-6	477	10.14	12.33	636	12.47	15.49	960	15.96	20.84
103	1.84	8.50	16.00	1-10	472	12.46	14.71	630	15.36	18.48	950	19.59	24.72
104	1.85	16.00	30.00	2-10,12	469	27.98	30.90	626	33.27	37.71	-	-	-
105	1.86	9.50	18.00	1-10,12	468	14.73	17.03	624	18.14	21.37	942	22.92	28.36
106	1.87	10.50	20.00	1-10,12	465	16.93	19.31	620	20.80	24.17	935	25.94	31.74
107	1.90	14.00	27.00	2-9	457	24.19	26.88	610	29.20	33.17	-	-	-
108	1.95	7.00	14.00	1-8	447	8.97	11.14	596	11.02	13.99	899	14.09	18.84
109	1.95	8.00	16.00	1-10	446	11.32	13.54	594	13.95	17.01	896	17.85	22.84
110	1.96	9.00	18.00	1-10,12	444	13.61	15.89	593	16.78	19.95	894	21.32	26.60
111	1.96	10.00	20.00	1-10,12	444	15.85	18.19	591	19.50	22.79	892	24.50	30.11
112	1.97	12.00	24.00	1-10,12	442	20.15	22.64	590	24.60	28.19	889	29.87	36.31
113	2.04	13.00	27.00	2-9	425	22.21	24.80	567	26.98	30.75	856	32.03	38.98
114	2.06	9.50	20.00	1-10,12	422	14.75	17.05	563	18.17	21.40	849	22.97	28.40
115	2.07	8.50	18.00	1-10	421	12.49	14.73	561	15.40	18.51	846	19.65	24.77
116	2.08	7.50	16.00	1-6	419	10.17	12.35	559	12.52	15.53	843	16.03	20.89
117	2.11	14.00	30.00	2-10,12	412	24.22	26.90	549	29.24	33.20	-	-	-
118	2.14	11.00	24.00	1-10,12	406	18.05	20.45	542	22.13	25.56	818	27.39	33.38
119	2.17	9.00	20.00	1-10,12	401	13.64	15.91	535	16.81	19.97	806	21.37	26.63
120	2.19	8.00	18.00	1-10	397	11.34	13.56	530	13.98	17.04	799	17.89	22.87
121	2.21	12.00	27.00	2-9	394	20.17	22.66	525	24.63	28.22	792	29.91	36.34
122	2.22	7.00	16.00	1-8	393	9.00	11.16	523	11.05	14.02	790	14.14	18.88
123	2.22	16.00	36.00	3-10,12	392	28.02	30.93	523	33.33	37.75	-	-	-
124	2.24	10.50	24.00	1-10,12	389	16.97	19.34	518	20.85	24.21	782	26.02	31.80
125	2.27	13.00	30.00	2-10,12	383	22.23	24.81	511	27.01	30.77	771	32.07	39.01
126	2.29	8.50	20.00	1-10	380	12.50	14.74	506	15.42	18.52	763	19.68	24.79
127	2.33	7.50	18.00	1-6	374	10.19	12.37	498	12.54	15.55	751	16.07	20.92
128	2.35	10.00	24.00	1-10,12	371	15.88	18.21	494	19.54	22.83	746	24.56	30.16
129	2.40	11.00	27.00	2-9	362	18.06	20.47	483	22.16	25.58	728	27.42	33.40
130	2.43	8.00	20.00	1-10	358	11.36	13.57	478	14.00	17.05	721	17.92	22.89
131	2.45	12.00	30.00	2-10,12	355	20.18	22.67	473	24.65	28.23	714	29.94	36.36
132	2.46	9.50	24.00	1-10,12	353	14.78	17.07	471	18.20	21.42	710	23.03	28.44
133	2.49	7.00	18.00	1-8	350	9.01	11.17	467	11.07	14.03	704	14.17	18.90
134	2.51	10.50	27.00	2-9	346	16.99	19.35	461	20.87	24.22	696	26.05	31.82
135	2.53	14.00	36.00	3-10,12	344	24.24	26.91	459	29.27	33.22	-	-	-
136	2.58	7.50	20.00	1-6	337	10.20	12.38	449	12.56	15.56	678	16.09	20.94
137	2.60	9.00	24.00	1-10,12	335	13.66	15.92	447	16.84	20.00	674	21.41	26.66
138	2.63	10.00	27.00	2-9	330	15.89	18.22	440	19.56	22.84	664	24.59	30.17
139	2.67	11.00	30.00	2-10,12	326	18.07	20.47	435	22.17	25.59	656	27.44	33.42
140	2.71	16.00	44.00	3-10,12	321	28.05	30.95	428	33.36	37.77	-	-	-
141	2.72	13.00	36.00	3-10,12	320	22.25	24.82	427	27.03	30.79	644	32.10	39.03
142	2.74	8.50	24.00	1-10	317	12.52	14.76	423	15.44	18.54	638	19.72	24.82
143	2.76	7.00	20.00	1-8	316	9.02	11.17	421	11.09	14.04	635	14.19	18.92
144	2.77	9.50	27.00	2-9	314	14.79	17.08	419	18.22	21.43	632	23.05	28.46
145	2.79	10.50	30.00	2-10,12	312	16.99	19.36	416	20.88	24.23	627	26.06	31.84
146	2.90	8.00	24.00	1-10	300	11.37	13.58	399	14.02	17.07	602	17.95	22.92
147	2.91	9.00	27.00	2-9	298	13.67	15.93	398	16.85	20.00	600	21.43	26.68
148	2.92	10.00	30.00	2-10,12	298	15.90	18.23	397	19.57	22.85	599	24.60	30.19
149	2.94	12.00	36.00	3-10,12	296	20.20	22.68	395	24.67	28.25	596	29.97	36.39
150	3.07	9.50	30.00	2-10,12	283	14.79	17.09	378	18.23	21.44	570	23.06	28.47

# CP & CX Belts In C Sheaves

## Drive Selection Tables

CENTER DISTANCE AND COMBINED ARC-LENGTH CORRECTION FACTOR ▲																LINE #
C75	C81	C85	C90	C96	C105	C112	C120	C128	C136	C144	C158	C162	C173	C180	C195	
-	-	-	-	-	24.3	27.8	31.9	36.0	40.0	44.0	51.1	53.1	58.6	62.1	69.7	101
21.8	24.9	26.9	29.4	32.4	36.9	40.4	44.4	48.5	52.5	56.5	63.5	65.5	71.0	74.5	82.0	102
19.3	22.4	24.4	26.9	30.0	34.5	38.0	42.0	46.1	50.1	54.1	61.1	63.1	68.6	72.1	79.6	103
-	-	-	-	-	-	-	-	28.5	32.6	36.7	43.8	45.8	51.3	54.9	62.4	104
16.8	19.9	21.9	24.5	27.5	32.1	35.6	39.6	43.6	47.7	51.7	58.7	60.7	66.2	69.7	77.2	105
■	<b>0.83</b>	<b>0.85</b>	<b>0.87</b>	<b>0.88</b>	<b>0.90</b>	<b>0.91</b>	<b>0.92</b>	<b>0.94</b>	<b>0.94</b>	<b>0.96</b>	<b>0.97</b>	<b>0.99</b>	<b>1.00</b>	<b>1.01</b>	<b>1.02</b>	<b>1.03</b> ■
-	-	19.4	22.0	25.0	29.6	33.2	37.2	41.2	45.2	49.3	56.3	58.3	63.8	67.3	74.8	106
-	-	-	-	-	-	24.4	28.5	32.6	36.7	40.7	47.8	49.8	55.4	58.9	66.4	107
22.2	25.2	27.2	29.8	32.8	37.3	40.8	44.8	48.8	52.8	56.8	63.9	65.9	71.4	74.9	82.4	108
19.7	22.7	24.8	27.3	30.3	34.9	38.4	42.4	46.4	50.4	54.5	61.5	63.5	69.0	72.5	80.0	109
17.2	20.2	22.3	24.8	27.9	32.4	36.0	40.0	44.0	48.0	52.0	59.1	61.1	66.6	70.1	77.6	110
■	<b>0.83</b>	<b>0.85</b>	<b>0.86</b>	<b>0.87</b>	<b>0.89</b>	<b>0.91</b>	<b>0.92</b>	<b>0.93</b>	<b>0.95</b>	<b>0.96</b>	<b>0.97</b>	<b>0.99</b>	<b>1.00</b>	<b>1.01</b>	<b>1.02</b>	<b>1.03</b> ■
-	17.7	19.8	22.3	25.4	30.0	33.5	37.6	41.6	45.6	49.6	56.7	58.7	64.2	67.7	75.2	111
-	-	-	-	-	25.0	28.5	32.6	36.7	40.7	44.8	51.8	53.8	59.4	62.9	70.4	112
-	-	-	-	-	-	25.1	29.2	33.3	37.4	41.4	48.5	50.5	56.1	59.6	67.2	113
-	18.0	20.1	22.7	25.7	30.3	33.9	37.9	42.0	46.0	50.0	57.0	59.0	64.6	68.1	75.6	114
17.5	20.6	22.6	25.2	28.2	32.8	36.3	40.4	44.4	48.4	52.4	59.4	61.5	67.0	70.5	78.0	115
■	<b>0.81</b>	<b>0.83</b>	<b>0.84</b>	<b>0.86</b>	<b>0.88</b>	<b>0.89</b>	<b>0.90</b>	<b>0.92</b>	<b>0.94</b>	<b>0.95</b>	<b>0.97</b>	<b>0.99</b>	<b>0.99</b>	<b>1.01</b>	<b>1.01</b>	<b>1.03</b> ■
20.0	23.1	25.1	27.7	30.7	35.2	38.8	42.8	46.8	50.8	54.8	61.8	63.9	69.4	72.9	80.4	116
-	-	-	-	-	-	-	25.6	29.8	33.9	38.1	45.2	47.2	52.8	56.3	63.9	117
-	-	-	-	21.0	25.6	29.2	33.3	37.4	41.5	45.5	52.6	54.6	60.1	63.6	71.2	118
-	18.3	20.4	23.0	26.1	30.7	34.2	38.3	42.3	46.3	50.4	57.4	59.4	64.9	68.5	76.0	119
17.8	20.9	23.0	25.5	28.6	33.2	36.7	40.7	44.8	48.8	52.8	59.8	61.8	67.3	70.9	78.4	120
■	<b>0.82</b>	<b>0.83</b>	<b>0.85</b>	<b>0.86</b>	<b>0.87</b>	<b>0.90</b>	<b>0.91</b>	<b>0.92</b>	<b>0.93</b>	<b>0.95</b>	<b>0.96</b>	<b>0.98</b>	<b>0.99</b>	<b>1.00</b>	<b>1.01</b>	<b>1.03</b> ■
-	-	-	-	-	22.0	25.7	29.9	34.0	38.1	42.2	49.2	51.3	56.8	60.4	67.9	121
20.4	23.5	25.5	28.0	31.1	35.6	39.1	43.2	47.2	51.2	55.2	62.2	64.2	69.7	73.2	80.8	122
-	-	-	-	-	-	-	-	-	-	31.0	38.3	40.4	46.0	49.6	57.2	123
-	-	-	-	21.3	26.0	29.6	33.7	37.8	41.8	45.9	52.9	54.9	60.5	64.0	71.5	124
-	-	-	-	-	-	-	26.3	30.5	34.6	38.7	45.9	47.9	53.5	57.0	64.6	125
■	<b>0.83</b>	<b>0.85</b>	<b>0.86</b>	<b>0.88</b>	<b>0.86</b>	<b>0.87</b>	<b>0.90</b>	<b>0.90</b>	<b>0.92</b>	<b>0.94</b>	<b>0.94</b>	<b>0.97</b>	<b>0.98</b>	<b>0.99</b>	<b>1.00</b>	<b>1.02</b> ■
-	18.7	20.8	23.4	26.4	31.0	34.6	38.6	42.7	46.7	50.7	57.8	59.8	65.3	68.8	76.3	126
18.2	21.3	23.3	25.9	28.9	33.5	37.1	41.1	45.1	49.1	53.2	60.2	62.2	67.7	71.2	78.7	127
-	-	-	-	21.6	26.3	29.9	34.0	38.1	42.2	46.2	53.3	55.3	60.8	64.4	71.9	128
-	-	-	-	-	22.7	26.4	30.6	34.7	38.8	42.9	50.0	52.0	57.5	61.1	68.6	129
-	19.0	21.1	23.7	26.8	31.4	34.9	39.0	43.0	47.1	51.1	58.1	60.2	65.7	69.2	76.7	130
■	<b>0.81</b>	<b>0.82</b>	<b>0.84</b>	<b>0.85</b>	<b>0.86</b>	<b>0.88</b>	<b>0.90</b>	<b>0.92</b>	<b>0.93</b>	<b>0.95</b>	<b>0.96</b>	<b>0.98</b>	<b>0.99</b>	<b>1.00</b>	<b>1.01</b>	<b>1.03</b> ■
-	-	-	-	-	-	-	27.0	31.2	35.3	39.4	46.6	48.6	54.2	57.8	65.3	131
-	-	-	-	21.9	26.7	30.3	34.4	38.5	42.5	46.6	53.6	55.6	61.2	64.7	72.3	132
18.5	21.6	23.7	26.2	29.3	33.9	37.4	41.5	45.5	49.5	53.5	60.6	62.6	68.1	71.6	79.1	133
-	-	-	-	-	23.0	26.7	30.9	35.0	39.1	43.2	50.3	52.3	57.9	61.4	69.0	134
-	-	-	-	-	-	-	-	-	28.0	32.3	39.7	41.7	47.4	51.0	58.6	135
■	<b>0.80</b>	<b>0.83</b>	<b>0.84</b>	<b>0.86</b>	<b>0.86</b>	<b>0.87</b>	<b>0.89</b>	<b>0.90</b>	<b>0.92</b>	<b>0.92</b>	<b>0.94</b>	<b>0.96</b>	<b>0.97</b>	<b>0.99</b>	<b>1.00</b>	<b>1.02</b> ■
-	19.3	21.4	24.0	27.1	31.7	35.3	39.4	43.4	47.4	51.5	58.5	60.5	66.1	69.6	77.1	136
-	-	-	19.1	22.3	27.0	30.6	34.7	38.8	42.9	46.9	54.0	56.0	61.6	65.1	72.6	137
-	-	-	-	-	23.3	27.1	31.2	35.4	39.5	43.6	50.7	52.7	58.3	61.8	69.4	138
-	-	-	-	-	-	23.3	27.6	31.8	36.0	40.1	47.3	49.3	54.9	58.5	66.1	139
-	-	-	-	-	-	-	-	-	-	-	-	-	38.3	42.0	49.9	140
■	<b>0.81</b>	<b>0.83</b>	<b>0.82</b>	<b>0.85</b>	<b>0.86</b>	<b>0.87</b>	<b>0.89</b>	<b>0.92</b>	<b>0.93</b>	<b>0.95</b>	<b>0.97</b>	<b>0.98</b>	<b>0.98</b>	<b>0.99</b>	<b>1.01</b> ■	
-	-	-	-	-	-	-	-	-	28.7	33.0	40.3	42.4	48.1	51.7	59.4	141
-	-	-	19.4	22.6	27.3	31.0	35.1	39.2	43.2	47.3	54.4	56.4	61.9	65.5	73.0	142
16.5	19.7	21.8	24.4	27.5	32.1	35.7	39.7	43.8	47.8	51.8	58.9	60.9	66.4	69.9	77.5	143
-	-	-	-	-	23.7	27.4	31.6	35.7	39.8	43.9	51.0	53.1	58.6	62.2	69.7	144
-	-	-	-	-	-	23.6	27.9	32.2	36.3	40.5	47.6	49.7	55.3	58.8	66.4	145
■	<b>0.77</b>	<b>0.81</b>	<b>0.82</b>	<b>0.82</b>	<b>0.85</b>	<b>0.86</b>	<b>0.87</b>	<b>0.89</b>	<b>0.91</b>	<b>0.92</b>	<b>0.94</b>	<b>0.96</b>	<b>0.97</b>	<b>0.99</b>	<b>0.99</b>	<b>1.01</b> ■
-	-	-	19.7	22.9	27.7	31.3	35.4	39.5	43.6	47.6	54.7	56.8	62.3	65.8	73.4	146
-	-	-	-	-	24.0	27.7	31.9	36.1	40.2	44.3	51.4	53.4	59.0	62.5	70.1	147
-	-	-	-	-	-	23.9	28.3	32.5	36.7	40.8	48.0	50.0	55.6	59.2	66.8	148
-	-	-	-	-	-	-	-	-	29.3	33.6	41.0	43.1	48.8	52.4	60.1	149
-	-	-	-	-	-	24.3	28.6	32.8	37.0	41.2	48.3	50.4	56.0	59.5	67.1	150
■			<b>0.79</b>	<b>0.83</b>	<b>0.84</b>	<b>0.85</b>	<b>0.88</b>	<b>0.90</b>	<b>0.91</b>	<b>0.93</b>	<b>0.95</b>	<b>0.96</b>	<b>0.98</b>	<b>0.99</b>	<b>1.01</b> ■	

▲ Not all available belt lengths are shown.

■ Combined Arc-Length correction factors for 5 preceding lines.

# CP & CX Belts In C Sheaves

## Drive Selection Tables

LINE #	RATIO	STOCK SHEAVES			DRIVEN SPEEDS AND HORSEPOWER RATINGS PER BELT								
		Datum Diameter		Number Grooves	870 RPM			1160 RPM			1750 RPM		
		DR	DN		Driven Speed	H.P. Ratings		Driven Speed	H.P. Ratings		Driven Speed	H.P. Ratings	
						CP	CX		CP	CX		CP	CX
151	3.07	16.00	50.00	3-10,12	283	28.05	30.95	377	33.37	37.78	-	-	-
152	3.08	8.50	27.00	2-9	283	12.53	14.76	377	15.45	18.55	568	19.73	24.83
153	3.08	14.00	44.00	3-10,12	282	24.25	26.93	376	29.29	33.24	-	-	-
154	3.09	7.50	24.00	1-6	282	10.21	12.39	376	12.57	15.57	567	16.11	20.95
155	3.19	11.00	36.00	3-10,12	272	18.08	20.48	363	22.18	25.60	548	27.47	33.43
156	3.23	9.00	30.00	2-10,12	269	13.67	15.93	359	16.86	20.01	541	21.44	26.68
157	3.26	8.00	27.00	2-9	267	11.38	13.58	356	14.03	17.07	536	17.96	22.93
158	3.30	7.00	24.00	1-8	264	9.03	11.18	352	11.10	14.05	531	14.21	18.93
159	3.31	13.00	44.00	3-10,12	263	22.26	24.83	350	27.05	30.80	528	32.13	39.05
160	3.34	10.50	36.00	3-10,12	261	17.00	19.37	347	20.90	24.24	524	26.08	31.85
161	3.42	8.50	30.00	2-10	255	12.53	14.76	340	15.46	18.55	512	19.74	24.84
162	3.47	7.50	27.00	2-6	251	10.21	12.39	334	12.58	15.57	505	16.12	20.96
163	3.50	10.00	36.00	3-10,12	249	15.91	18.23	331	19.58	22.86	500	24.62	30.20
164	3.50	14.00	50.00	3-10,12	249	24.26	26.93	331	29.29	33.24	-	-	-
165	3.58	12.00	44.00	3-10,12	243	20.21	22.69	324	24.68	28.25	489	29.99	36.40
166	3.62	8.00	30.00	2-10	240	11.38	13.58	321	14.04	17.08	484	17.97	22.93
167	3.68	9.50	36.00	3-10,12	237	14.80	17.09	315	18.24	21.45	476	23.07	28.48
168	3.70	7.00	27.00	2-8	235	9.04	11.18	313	11.10	14.05	473	14.22	18.94
169	3.76	13.00	50.00	3-10,12	231	22.27	24.84	308	27.05	30.80	465	32.14	39.06
170	3.85	7.50	30.00	2-6	226	10.22	12.39	301	12.58	15.58	455	16.13	20.97
171	3.87	9.00	36.00	3-10,12	225	13.68	15.94	300	16.87	20.01	452	21.45	26.69
172	3.89	11.00	44.00	3-10,12	223	18.09	20.49	298	22.19	25.61	449	27.48	33.44
173	4.06	12.00	50.00	3-10,12	214	20.21	22.69	285	24.69	28.26	431	29.99	36.40
174	4.07	10.50	44.00	3-10,12	214	17.01	19.37	285	20.91	24.25	430	26.10	31.86
175	4.09	8.50	36.00	3-10	213	12.54	14.77	284	15.47	18.56	428	19.75	24.85
176	4.11	7.00	30.00	2-8	212	9.04	11.19	282	11.11	14.06	426	14.22	18.94
177	4.27	10.00	44.00	3-10,12	204	15.92	18.24	272	19.59	22.86	410	24.63	30.21
178	4.33	8.00	36.00	3-10	201	11.39	13.59	268	14.04	17.08	404	17.98	22.94
179	4.42	11.00	50.00	3-10,12	197	18.09	20.49	262	22.20	25.61	396	27.49	33.45
180	4.48	9.50	44.00	3-10,12	194	14.81	17.10	259	18.24	21.45	390	23.08	28.49
181	4.61	7.50	36.00	3-6	189	10.22	12.39	252	12.59	15.58	380	16.14	20.97
182	4.62	10.50	50.00	3-10,12	188	17.01	19.37	251	20.91	24.25	378	26.10	31.86
183	4.72	9.00	44.00	3-10,12	184	13.68	15.94	246	16.87	20.02	370	21.46	26.70
184	4.85	10.00	50.00	3-10,12	180	15.92	18.24	239	19.59	22.86	361	24.64	30.21
185	4.92	7.00	36.00	3-8	177	9.04	11.19	236	11.11	14.06	356	14.23	18.95
186	4.99	8.50	44.00	3-10	174	12.54	14.77	233	15.47	18.56	351	19.76	24.85
187	5.09	9.50	50.00	3-10,12	171	14.81	17.10	228	18.25	21.45	344	23.09	28.49
188	5.29	8.00	44.00	3-10	165	11.39	13.59	219	14.05	17.08	331	17.99	22.94
189	5.36	9.00	50.00	3-10,12	162	13.68	15.94	216	16.87	20.02	326	21.46	26.70
190	5.62	7.50	44.00	3-6	155	10.23	12.40	206	12.59	15.58	311	16.15	20.97
191	5.66	8.50	50.00	3-10	154	12.55	14.77	205	15.47	18.56	309	19.76	24.85
192	6.00	7.00	44.00	3-8	145	9.04	11.19	193	11.12	14.06	292	14.24	18.95
193	6.00	8.00	50.00	3-10	145	11.39	13.59	193	14.05	17.09	292	17.99	22.94
194	6.38	7.50	50.00	3-6	136	10.23	12.40	182	12.60	15.59	274	16.15	20.98
195	6.81	7.00	50.00	3-8	128	9.05	11.19	170	11.12	14.06	257	14.24	18.95

# CP & CX Belts In C Sheaves

## Drive Selection Tables

CENTER DISTANCE AND COMBINED ARC-LENGTH CORRECTION FACTOR ▲															LINE #			
C105	C112	C120	C128	C136	C144	C158	C162	C173	C180	C195	C201	C240	C270	C300	C360			
-	-	-	-	-	-	-	-	-	35.5	43.8	47.0	66.4	81.8	97.1	127.5	151		
24.3	28.0	32.2	36.4	40.5	44.6	51.7	53.8	59.3	62.9	70.5	73.5	92.1	107.2	122.2	152.3	152		
-	-	-	-	-	-	-	-	-	33.5	39.6	43.3	51.2	54.3	73.4	88.6	103.8	134.1	153
28.0	31.6	35.8	39.9	43.9	48.0	55.1	57.1	62.7	66.2	73.7	76.8	95.4	110.4	125.4	155.5	154		
-	-	-	-	29.9	34.3	41.7	43.8	49.5	53.1	60.8	63.8	82.6	97.7	112.8	143.0	155		
■	<b>0.84</b>	<b>0.87</b>	<b>0.89</b>	<b>0.91</b>	<b>0.90</b>	<b>0.92</b>	<b>0.95</b>	<b>0.94</b>	<b>0.96</b>	<b>0.95</b>	<b>0.98</b>	<b>0.99</b>	<b>1.04</b>	<b>1.07</b>	<b>1.09</b>	<b>1.13</b>	■	
-	24.6	28.9	33.2	37.3	41.5	48.7	50.7	56.3	59.9	67.5	70.5	89.2	104.3	119.4	149.5	156		
24.6	28.4	32.6	36.7	40.9	45.0	52.1	54.1	59.7	63.2	70.8	73.8	92.5	107.5	122.6	152.7	157		
28.3	32.0	36.1	40.2	44.3	48.4	55.5	57.5	63.0	66.6	74.1	77.1	95.7	110.8	125.8	155.9	158		
-	-	-	-	-	-	31.9	34.2	40.2	43.9	51.9	55.0	74.1	89.3	104.5	134.8	159		
-	-	-	25.8	30.2	34.6	42.0	44.1	49.8	53.4	61.1	64.2	82.9	98.1	113.2	143.4	160		
■	<b>0.84</b>	<b>0.85</b>	<b>0.88</b>	<b>0.88</b>	<b>0.90</b>	<b>0.92</b>	<b>0.93</b>	<b>0.94</b>	<b>0.96</b>	<b>0.97</b>	<b>1.00</b>	<b>1.00</b>	<b>1.05</b>	<b>1.07</b>	<b>1.10</b>	<b>1.14</b>	■	
-	24.9	29.2	33.5	37.7	41.8	49.0	51.1	56.7	60.3	67.9	70.9	89.6	104.7	119.7	149.8	161		
24.9	28.7	32.9	37.1	41.2	45.3	52.4	54.5	60.1	63.6	71.2	74.2	92.8	107.9	123.0	153.0	162		
-	-	-	26.1	30.6	34.9	42.3	44.4	50.1	53.7	61.4	64.5	83.3	98.5	113.6	143.7	163		
-	-	-	-	-	-	-	-	-	36.8	45.1	48.3	67.8	83.2	98.5	128.9	164		
-	-	-	-	-	-	32.5	34.8	40.8	44.6	52.5	55.7	74.8	90.0	105.3	135.5	165		
■	<b>0.82</b>	<b>0.83</b>	<b>0.87</b>	<b>0.86</b>	<b>0.89</b>	<b>0.91</b>	<b>0.92</b>	<b>0.93</b>	<b>0.95</b>	<b>0.94</b>	<b>0.97</b>	<b>0.98</b>	<b>1.03</b>	<b>1.06</b>	<b>1.09</b>	<b>1.13</b>	■	
-	25.2	29.6	33.8	38.0	42.2	49.4	51.4	57.0	60.6	68.2	71.3	89.9	105.0	120.1	150.2	166		
25.3	29.0	33.2	37.4	41.5	45.7	52.8	54.8	60.4	64.0	71.5	74.6	93.2	108.3	123.3	153.4	168		
-	-	-	-	-	-	-	-	-	37.4	45.7	49.0	68.5	83.9	99.2	129.6	169		
21.6	25.5	29.9	34.1	38.3	42.5	49.7	51.8	57.4	61.0	68.6	71.6	90.3	105.4	120.5	150.6	170		
■	<b>0.79</b>	<b>0.83</b>	<b>0.86</b>	<b>0.86</b>	<b>0.89</b>	<b>0.91</b>	<b>0.94</b>	<b>0.95</b>	<b>0.97</b>	<b>0.96</b>	<b>0.98</b>	<b>0.99</b>	<b>1.04</b>	<b>1.07</b>	<b>1.09</b>	<b>1.13</b>	■	
-	-	-	26.7	31.2	35.5	43.0	45.1	50.8	54.4	62.1	65.2	84.0	99.2	114.3	144.5	171		
-	-	-	-	-	-	33.1	35.4	41.5	45.2	53.2	56.3	75.4	90.8	106.0	136.3	172		
-	-	-	-	-	-	-	-	33.9	38.0	46.4	49.6	69.1	84.6	99.9	130.4	173		
-	-	-	-	-	-	33.5	35.7	41.8	45.6	53.5	56.7	75.8	91.1	106.3	136.6	174		
-	-	-	27.0	31.5	35.9	43.3	45.4	51.2	54.8	62.5	65.6	84.4	99.6	114.7	144.8	175		
■			<b>0.80</b>	<b>0.84</b>	<b>0.88</b>	<b>0.88</b>	<b>0.89</b>	<b>0.90</b>	<b>0.92</b>	<b>0.96</b>	<b>0.97</b>	<b>1.02</b>	<b>1.05</b>	<b>1.08</b>	<b>1.12</b>	■		
21.9	25.8	30.2	34.5	38.7	42.8	50.1	52.1	57.7	61.3	68.9	72.0	90.7	105.8	120.8	151.0	176		
-	-	-	27.3	31.8	36.2	43.6	45.8	51.5	55.1	62.8	65.9	84.7	99.9	115.0	145.2	178		
-	-	-	-	-	-	-	-	34.5	38.6	47.0	50.3	69.8	85.3	100.7	131.1	179		
-	-	-	-	-	-	34.1	36.3	42.4	46.2	54.2	57.3	76.5	91.8	107.0	137.3	180		
■	<b>0.76</b>	<b>0.81</b>	<b>0.85</b>	<b>0.84</b>	<b>0.87</b>	<b>0.90</b>	<b>0.88</b>	<b>0.90</b>	<b>0.90</b>	<b>0.92</b>	<b>0.96</b>	<b>0.97</b>	<b>1.02</b>	<b>1.05</b>	<b>1.08</b>	<b>1.12</b>	■	
-	-	-	27.6	32.1	36.5	44.0	46.1	51.8	55.5	63.2	66.3	85.1	100.3	115.4	145.6	181		
-	-	-	-	-	-	34.4	36.6	42.7	46.5	54.5	57.7	76.8	92.2	107.4	137.7	183		
-	-	-	-	-	-	-	-	35.1	39.2	47.6	50.9	70.5	86.0	101.4	131.8	184		
-	-	-	27.9	32.4	36.8	44.3	46.4	52.2	55.8	63.5	66.6	85.4	100.6	115.8	146.0	185		
■			<b>0.80</b>	<b>0.84</b>	<b>0.87</b>	<b>0.88</b>	<b>0.90</b>	<b>0.88</b>	<b>0.91</b>	<b>0.94</b>	<b>0.96</b>	<b>1.02</b>	<b>1.05</b>	<b>1.08</b>	<b>1.12</b>	■		
-	-	-	-	-	-	34.7	37.0	43.1	46.9	54.8	58.0	77.2	92.5	107.8	138.1	186		
-	-	-	-	-	-	-	-	35.4	39.5	47.9	51.2	70.8	86.3	101.7	132.2	187		
-	-	-	-	-	-	35.0	37.3	43.4	47.2	55.2	58.3	77.5	92.9	108.1	138.4	188		
-	-	-	-	-	-	-	-	35.7	39.8	48.3	51.5	71.2	86.7	102.1	132.5	189		
-	-	-	-	-	-	35.3	37.6	43.7	47.5	55.5	58.7	77.9	93.2	108.5	138.8	190		
■						<b>0.83</b>	<b>0.85</b>	<b>0.86</b>	<b>0.88</b>	<b>0.93</b>	<b>0.94</b>	<b>1.01</b>	<b>1.04</b>	<b>1.07</b>	<b>1.11</b>	■		
-	-	-	-	-	-	-	-	36.0	40.1	48.6	51.9	71.5	87.0	102.4	132.9	191		
-	-	-	-	-	-	35.6	37.9	44.0	47.8	55.8	59.0	78.2	93.6	108.8	139.2	192		
-	-	-	-	-	-	-	-	36.3	40.4	48.9	52.2	71.8	87.4	102.8	133.2	193		
-	-	-	-	-	-	-	-	36.6	40.7	49.2	52.5	72.2	87.7	103.1	133.6	194		
-	-	-	-	-	-	-	-	36.9	41.1	49.5	52.8	72.5	88.1	103.4	134.0	195		
■						<b>0.82</b>	<b>0.84</b>	<b>0.82</b>	<b>0.86</b>	<b>0.91</b>	<b>0.92</b>	<b>0.99</b>	<b>1.03</b>	<b>1.06</b>	<b>1.11</b>	■		

▲ Not all available belt lengths are shown.

■ Combined Arc-Length correction factors for 5 preceding lines.

# DP & DX Belts In D Sheaves

## Drive Selection Tables

LINE #	RATIO	STOCK SHEAVES			DRIVEN SPEEDS AND HORSEPOWER RATINGS PER BELT								
		Datum Diameter		Number Grooves	870 RPM			1160 RPM			1750 RPM		
		DR	DN		Driven Speed	H.P. Ratings		Driven Speed	H.P. Ratings		Driven Speed	H.P. Ratings	
						DP	DX		DP	DX		DP	DX
1	1.00	12.00	12.00	3-6,8,10,12	870	24.56	24.56	1160	28.43	28.43	1750	28.78	28.78
2	1.00	13.00	13.00	3-6,8,10,12	870	28.39	28.39	1160	32.81	32.81	1750	32.60	32.60
3	1.00	13.50	13.50	3-6,8,10,12	870	30.26	30.26	1160	34.92	34.92	1750	34.23	34.23
4	1.00	14.00	14.00	3-6,8,10,12	870	32.10	32.10	1160	36.96	36.96	-	-	-
5	1.00	14.50	14.50	3-6,8,10,12	870	33.92	33.92	1160	38.93	38.93	-	-	-
6	1.00	15.00	15.00	3-6,8,10,12	870	35.70	35.70	1160	40.84	40.84	-	-	-
7	1.00	15.50	15.50	3-6,8,10,12	870	37.45	37.45	1160	42.68	42.68	-	-	-
8	1.00	16.00	16.00	3-6,8,10,12	870	39.16	39.16	1160	44.46	44.46	-	-	-
9	1.00	17.00	17.00	4-6,8,10,12	870	42.50	42.50	1160	47.80	47.80	-	-	-
10	1.00	18.00	18.00	3-6,8,10,12	870	45.70	45.70	1160	50.84	50.84	-	-	-
11	1.00	20.00	20.00	4-6,8,10,12	870	51.69	51.69	1160	56.01	56.01	-	-	-
12	1.00	22.00	22.00	3-6,8,10,12	870	57.07	57.07	-	-	-	-	-	-
13	1.03	15.50	16.00	3-6,8,10,12	844	37.94	37.94	1125	43.34	43.34	-	-	-
14	1.03	15.00	15.50	3-6,8,10,12	843	36.20	36.20	1124	41.52	41.52	-	-	-
15	1.03	14.50	15.00	3-6,8,10,12	842	34.44	34.44	1123	39.63	39.63	-	-	-
16	1.03	14.00	14.50	3-6,8,10,12	841	32.64	32.64	1122	37.67	37.67	-	-	-
17	1.04	13.50	14.00	3-6,8,10,12	840	30.82	30.82	1120	35.66	35.66	1690	35.35	35.35
18	1.04	13.00	13.50	3-6,8,10,12	839	28.96	28.96	1119	33.58	33.58	1688	33.76	33.76
19	1.06	17.00	18.00	4-6,8,10,12	823	43.35	43.35	1098	48.93	48.93	-	-	-
20	1.06	16.00	17.00	4-6,8,10,12	821	40.05	40.05	1094	45.65	45.65	-	-	-
21	1.06	15.00	16.00	3-6,8,10,12	818	36.64	36.64	1090	42.09	42.09	-	-	-
22	1.07	14.50	15.50	3-6,8,10,12	816	34.88	34.88	1088	40.22	40.22	-	-	-
23	1.07	14.00	15.00	3-6,8,10,12	814	33.10	33.10	1086	38.28	38.28	-	-	-
24	1.07	13.50	14.50	3-6,8,10,12	812	31.28	31.28	1083	36.28	36.28	1634	36.29	36.29
25	1.07	13.00	14.00	3-6,8,10,12	810	29.44	29.44	1081	34.22	34.22	1630	34.72	34.72
26	1.08	12.00	13.00	3-6,8,10,12	806	25.68	25.68	1075	29.93	29.93	1621	31.04	31.04
27	1.09	22.00	24.00	3-6,8,10,12	799	58.30	58.30	-	-	-	-	-	-
28	1.09	15.50	17.00	4-6,8,10,12	796	38.72	38.72	1061	44.38	44.38	-	-	-
29	1.10	20.00	22.00	4-6,8,10,12	793	53.00	53.00	1057	57.76	57.76	-	-	-
30	1.10	14.50	16.00	3-6,8,10,12	791	35.26	35.26	1055	40.72	40.72	-	-	-
31	1.10	14.00	15.50	3-6,8,10,12	789	33.48	33.48	1052	38.79	38.79	-	-	-
32	1.11	13.50	15.00	3-6,8,10,12	786	31.67	31.67	1048	36.80	36.80	1582	37.07	37.07
33	1.11	18.00	20.00	4-6,8,10,12	786	47.13	47.13	1047	52.74	52.74	-	-	-
34	1.11	13.00	14.50	3-6,8,10,12	784	29.84	29.84	1045	34.75	34.75	1576	35.52	35.52
35	1.12	12.00	13.50	3-6,8,10,12	777	26.09	26.09	1037	30.48	30.48	1564	31.87	31.87
36	1.12	16.00	18.00	3-6,8,10,12	776	40.71	40.71	1035	46.53	46.53	-	-	-
37	1.13	15.00	17.00	4-6,8,10,12	771	37.32	37.32	1028	43.00	43.00	-	-	-
38	1.14	14.00	16.00	3-6,8,10,12	765	33.80	33.80	1020	39.22	39.22	-	-	-
39	1.14	13.50	15.50	3-6,8,10,12	762	32.00	32.00	1016	37.24	37.24	1533	37.73	37.73
40	1.15	13.00	15.00	3-6,8,10,12	758	30.17	30.17	1011	35.19	35.19	1526	36.19	36.19
41	1.16	15.50	18.00	3-6,8,10,12	753	39.30	39.30	1004	45.15	45.15	-	-	-
42	1.16	12.00	14.00	3-6,8,10,12	751	26.44	26.44	1001	30.93	30.93	1510	32.56	32.56
43	1.17	14.50	17.00	4-6,8,10,12	746	35.84	35.84	995	41.50	41.50	-	-	-
44	1.17	17.00	20.00	4-6,8,10,12	743	44.47	44.47	991	50.42	50.42	-	-	-
45	1.18	13.50	16.00	3-6,8,10,12	739	32.28	32.28	985	37.60	37.60	1486	38.28	38.28
46	1.18	13.00	15.50	3-6,8,10,12	735	30.45	30.45	980	35.56	35.56	1478	36.75	36.75
47	1.19	15.00	18.00	3-6,8,10,12	730	37.82	37.82	973	43.67	43.67	-	-	-
48	1.19	20.00	24.00	4-6,8,10,12	729	53.82	53.82	971	58.85	58.85	-	-	-
49	1.20	12.00	14.50	3-6,8,10,12	726	26.72	26.72	968	31.31	31.31	1460	33.13	33.13
50	1.21	14.00	17.00	4-6,8,10,12	722	34.31	34.31	962	39.89	39.89	-	-	-

Shaded area diameters are below industry standard for belt.

# DP & DX Belts In D Sheaves

## Drive Selection Tables

CENTER DISTANCE AND COMBINED ARC-LENGTH CORRECTION FACTOR ▲															LINE #	
D120	D128	D144	D158	D162	D173	D180	D195	D210	D240	D270	D300	D330	D360	D390	D420	
42.8	46.8	54.8	61.8	63.8	69.3	72.8	80.3	86.6	101.6	116.6	131.6	146.6	161.6	176.6	191.6	1
41.2	45.2	53.2	60.2	62.2	67.7	71.2	78.7	85.0	100.0	115.0	130.0	145.0	160.0	175.0	190.0	2
40.4	44.4	52.4	59.4	61.4	66.9	70.4	77.9	84.2	99.2	114.2	129.2	144.2	159.2	174.2	189.2	3
39.7	43.7	51.7	58.7	60.7	66.2	69.7	77.2	83.4	98.4	113.4	128.4	143.4	158.4	173.4	188.4	4
38.9	42.9	50.9	57.9	59.9	65.4	68.9	76.4	82.6	97.6	112.6	127.6	142.6	157.6	172.6	187.6	5
<b>■ 0.89 0.90 0.92 0.93 0.94 0.95 0.96 0.97 0.98 1.00 1.02 1.04 1.05 1.07 1.08 1.09 ■</b>																
38.1	42.1	50.1	57.1	59.1	64.6	68.1	75.6	81.8	96.8	111.8	126.8	141.8	156.8	171.8	186.8	6
37.3	41.3	49.3	56.3	58.3	63.8	67.3	74.8	81.1	96.1	111.1	126.1	141.1	156.1	171.1	186.1	7
36.5	40.5	48.5	55.5	57.5	63.0	66.5	74.0	80.3	95.3	110.3	125.3	140.3	155.3	170.3	185.3	8
34.9	38.9	46.9	53.9	55.9	61.4	64.9	72.4	78.7	93.7	108.7	123.7	138.7	153.7	168.7	183.7	9
33.4	37.4	45.4	52.4	54.4	59.9	63.4	70.9	77.1	92.1	107.1	122.1	137.1	152.1	167.1	182.1	10
<b>■ 0.89 0.90 0.92 0.93 0.94 0.95 0.96 0.97 0.98 1.00 1.02 1.04 1.05 1.07 1.08 1.09 ■</b>																
30.2	34.2	42.2	49.2	51.2	56.7	60.2	67.7	74.0	89.0	104.0	119.0	134.0	149.0	164.0	179.0	11
27.1	31.1	39.1	46.1	48.1	53.6	57.1	64.6	70.8	85.8	100.8	115.8	130.8	145.8	160.8	175.8	12
36.9	40.9	48.9	55.9	57.9	63.4	66.9	74.4	80.7	95.7	110.7	125.7	140.7	155.7	170.7	185.7	13
37.7	41.7	49.7	56.7	58.7	64.2	67.7	75.2	81.4	96.4	111.4	126.4	141.4	156.4	171.4	186.4	14
38.5	42.5	50.5	57.5	59.5	65.0	68.5	76.0	82.2	97.2	112.2	127.2	142.2	157.2	172.2	187.2	15
<b>■ 0.89 0.90 0.92 0.93 0.94 0.95 0.96 0.97 0.98 1.00 1.02 1.04 1.05 1.07 1.08 1.09 ■</b>																
39.3	43.3	51.3	58.3	60.3	65.8	69.3	76.8	83.0	98.0	113.0	128.0	143.0	158.0	173.0	188.0	16
40.1	44.1	52.1	59.1	61.1	66.6	70.1	77.6	83.8	98.8	113.8	128.8	143.8	158.8	173.8	188.8	17
40.8	44.8	52.8	59.8	61.8	67.3	70.8	78.3	84.6	99.6	114.6	129.6	144.6	159.6	174.6	189.6	18
34.2	38.2	46.2	53.2	55.2	60.7	64.2	71.7	77.9	92.9	107.9	122.9	137.9	152.9	167.9	182.9	19
35.7	39.7	47.7	54.7	56.7	62.2	65.7	73.2	79.5	94.5	109.5	124.5	139.5	154.5	169.5	184.5	20
<b>■ 0.89 0.90 0.92 0.93 0.94 0.95 0.96 0.97 0.98 1.00 1.02 1.04 1.05 1.07 1.08 1.09 ■</b>																
37.3	41.3	49.3	56.3	58.3	63.8	67.3	74.8	81.1	96.1	111.1	126.1	141.1	156.1	171.1	186.1	21
38.1	42.1	50.1	57.1	59.1	64.6	68.1	75.6	81.8	96.8	111.8	126.8	141.8	156.8	171.8	186.8	22
38.9	42.9	50.9	57.9	59.9	65.4	68.9	76.4	82.6	97.6	112.6	127.6	142.6	157.6	172.6	187.6	23
39.7	43.7	51.7	58.7	60.7	66.2	69.7	77.2	83.4	98.4	113.4	128.4	143.4	158.4	173.4	188.4	24
40.4	44.4	52.4	59.4	61.4	66.9	70.4	77.9	84.2	99.2	114.2	129.2	144.2	159.2	174.2	189.2	25
<b>■ 0.89 0.90 0.92 0.93 0.94 0.95 0.96 0.97 0.98 1.00 1.02 1.04 1.05 1.07 1.08 1.09 ■</b>																
42.0	46.0	54.0	61.0	63.0	68.5	72.0	79.5	85.8	100.8	115.8	130.8	145.8	160.8	175.8	190.8	26
-	29.5	37.5	44.5	46.5	52.0	55.5	63.0	69.3	84.3	99.3	114.3	129.3	144.3	159.3	174.3	27
36.1	40.1	48.1	55.1	57.1	62.6	66.1	73.6	79.9	94.9	109.9	124.9	139.9	154.9	169.9	184.9	28
28.6	32.6	40.6	47.6	49.6	55.2	58.7	66.2	72.4	87.4	102.4	117.4	132.4	147.4	162.4	177.4	29
37.7	41.7	49.7	56.7	58.7	64.2	67.7	75.2	81.4	96.4	111.4	126.4	141.4	156.4	171.4	186.4	30
<b>■ 0.89 0.90 0.92 0.93 0.94 0.95 0.96 0.97 0.98 1.00 1.02 1.04 1.05 1.07 1.08 1.09 ■</b>																
38.5	42.5	50.5	57.5	59.5	65.0	68.5	76.0	82.2	97.2	112.2	127.2	142.2	157.2	172.2	187.2	31
39.3	43.3	51.3	58.3	60.3	65.8	69.3	76.8	83.0	98.0	113.0	128.0	143.0	158.0	173.0	188.0	32
31.8	35.8	43.8	50.8	52.8	58.3	61.8	69.3	75.5	90.5	105.5	120.5	135.5	150.5	165.5	180.5	33
40.0	44.0	52.0	59.0	61.0	66.5	70.0	77.5	83.8	98.8	113.8	128.8	143.8	158.8	173.8	188.8	34
41.6	45.6	53.6	60.6	62.6	68.1	71.6	79.1	85.4	100.4	115.4	130.4	145.4	160.4	175.4	190.4	35
<b>■ 0.89 0.90 0.92 0.93 0.94 0.95 0.96 0.97 0.98 1.00 1.02 1.04 1.05 1.07 1.08 1.09 ■</b>																
34.9	38.9	46.9	53.9	55.9	61.4	64.9	72.4	78.7	93.7	108.7	123.7	138.7	153.7	168.7	183.7	36
36.5	40.5	48.5	55.5	57.5	63.0	66.5	74.0	80.3	95.3	110.3	125.3	140.3	155.3	170.3	185.3	37
38.1	42.1	50.1	57.1	59.1	64.6	68.1	75.6	81.8	96.8	111.8	126.8	141.8	156.8	171.8	186.8	38
38.9	42.9	50.9	57.9	59.9	65.4	68.9	76.4	82.6	97.6	112.6	127.6	142.6	157.6	172.6	187.6	39
39.6	43.6	51.6	58.6	60.6	66.2	69.7	77.2	83.4	98.4	113.4	128.4	143.4	158.4	173.4	188.4	40
<b>■ 0.88 0.89 0.91 0.93 0.93 0.95 0.95 0.97 0.98 1.00 1.02 1.04 1.05 1.07 1.08 1.09 ■</b>																
35.3	39.3	47.3	54.3	56.3	61.8	65.3	72.8	79.1	94.1	109.1	124.1	139.1	154.1	169.1	184.1	41
41.2	45.2	53.2	60.2	62.2	67.7	71.2	78.7	85.0	100.0	115.0	130.0	145.0	160.0	175.0	190.0	42
36.9	40.9	48.9	55.9	57.9	63.4	66.9	74.4	80.7	95.7	110.7	125.7	140.7	155.7	170.7	185.7	43
32.6	36.6	44.6	51.6	53.6	59.1	62.6	70.1	76.3	91.3	106.3	121.3	136.3	151.3	166.3	181.3	44
38.5	42.5	50.5	57.5	59.5	65.0	68.5	76.0	82.2	97.2	112.2	127.2	142.2	157.2	172.2	187.2	45
<b>■ 0.88 0.89 0.91 0.93 0.93 0.94 0.95 0.96 0.97 1.00 1.02 1.03 1.05 1.07 1.08 1.09 ■</b>																
39.2	43.2	51.3	58.3	60.3	65.8	69.3	76.8	83.0	98.0	113.0	128.0	143.0	158.0	173.0	188.0	46
35.7	39.7	47.7	54.7	56.7	62.2	65.7	73.2	79.5	94.5	109.5	124.5	139.5	154.5	169.5	184.5	47
27.0	31.0	39.0	46.0	48.0	53.6	57.1	64.6	70.8	85.8	100.8	115.8	130.8	145.8	160.8	175.8	48
40.8	44.8	52.8	59.8	61.8	67.3	70.8	78.3	84.6	99.6	114.6	129.6	144.6	159.6	174.6	189.6	49
37.3	41.3	49.3	56.3	58.3	63.8	67.3	74.8	81.1	96.1	111.1	126.1	141.1	156.1	171.1	186.1	50
<b>■ 0.88 0.89 0.91 0.93 0.93 0.94 0.95 0.96 0.97 1.00 1.02 1.03 1.05 1.06 1.08 1.09 ■</b>																

▲ Not all available belt lengths are shown.

■ Combined Arc-Length correction factors for 5 preceding lines.



# DP & DX Belts In D Sheaves

## Drive Selection Tables

LINE #	RATIO	STOCK SHEAVES			DRIVEN SPEEDS AND HORSEPOWER RATINGS PER BELT								
		Datum Diameter		Number Grooves	870 RPM			1160 RPM			1750 RPM		
		DR	DN		Driven Speed	H.P. Ratings		Driven Speed	H.P. Ratings		Driven Speed	H.P. Ratings	
						DP	DX		DP	DX		DP	DX
51	1.22	18.00	22.00	3-6,8,10,12	716	47.97	47.97	955	53.86	53.86	-	-	-
52	1.22	13.00	16.00	3-6,8,10,12	713	30.68	30.68	950	35.87	35.87	1434	37.22	37.22
53	1.22	22.00	27.00	3-6,8,10,12	712	59.37	59.37	-	-	-	-	-	-
54	1.23	14.50	18.00	3-6,8,10,12	706	36.27	36.27	942	42.08	42.08	-	-	-
55	1.24	12.00	15.00	3-6,8,10,12	703	26.95	26.95	937	31.62	31.62	1413	33.60	33.60
56	1.24	16.00	20.00	4-6,8,10,12	701	41.57	41.57	935	47.67	47.67	-	-	-
57	1.25	13.50	17.00	4-6,8,10,12	697	32.71	32.71	929	38.18	38.18	1402	39.15	39.15
58	1.27	14.00	18.00	3-6,8,10,12	683	34.67	34.67	911	40.38	40.38	-	-	-
59	1.28	12.00	15.50	3-6,8,10,12	681	27.15	27.15	908	31.88	31.88	1370	33.99	33.99
60	1.28	15.50	20.00	4-6,8,10,12	680	40.04	40.04	907	46.14	46.14	-	-	-
61	1.28	17.00	22.00	4-6,8,10,12	678	45.12	45.12	903	51.28	51.28	-	-	-
62	1.29	13.00	17.00	4-6,8,10,12	672	31.05	31.05	896	36.36	36.36	1352	37.95	37.95
63	1.32	12.00	16.00	3-6,8,10,12	660	27.31	27.31	880	32.10	32.10	1328	34.32	34.32
64	1.32	13.50	18.00	3-6,8,10,12	660	33.02	33.02	879	38.59	38.59	1327	39.78	39.78
65	1.32	15.00	20.00	4-6,8,10,12	659	38.46	38.46	878	44.52	44.52	-	-	-
66	1.32	18.00	24.00	3-6,8,10,12	658	48.47	48.47	877	54.54	54.54	-	-	-
67	1.34	20.00	27.00	4-6,8,10,12	649	54.52	54.52	866	59.78	59.78	-	-	-
68	1.36	16.00	22.00	3-6,8,10,12	639	42.07	42.07	852	48.33	48.33	-	-	-
69	1.36	14.50	20.00	4-6,8,10,12	638	36.83	36.83	850	42.81	42.81	-	-	-
70	1.37	13.00	18.00	3-6,8,10,12	636	31.31	31.31	848	36.71	36.71	1280	38.48	38.48
71	1.40	12.00	17.00	4-6,8,10,12	623	27.56	27.56	830	32.44	32.44	1253	34.83	34.83
72	1.40	17.00	24.00	4-6,8,10,12	622	45.51	45.51	830	51.81	51.81	-	-	-
73	1.40	15.50	22.00	3-6,8,10,12	620	40.47	40.47	826	46.72	46.72	-	-	-
74	1.41	14.00	20.00	4-6,8,10,12	617	35.15	35.15	822	41.01	41.01	-	-	-
75	1.45	15.00	22.00	3-6,8,10,12	601	38.83	38.83	801	45.02	45.02	-	-	-
76	1.46	13.50	20.00	4-6,8,10,12	595	33.42	33.42	794	39.13	39.13	1198	40.58	40.58
77	1.48	12.00	18.00	3-6,8,10,12	589	27.75	27.75	786	32.68	32.68	1185	35.20	35.20
78	1.48	16.00	24.00	3-6,8,10,12	587	42.36	42.36	783	48.73	48.73	-	-	-
79	1.48	18.00	27.00	3-6,8,10,12	586	48.91	48.91	782	55.12	55.12	-	-	-
80	1.49	22.00	33.00	3-6,8,10,12	585	60.28	60.28	-	-	-	-	-	-
81	1.50	14.50	22.00	3-6,8,10,12	581	37.14	37.14	775	43.24	43.24	-	-	-
82	1.51	13.00	20.00	4-6,8,10,12	574	31.65	31.65	766	37.16	37.16	1155	39.16	39.16
83	1.53	15.50	24.00	3-6,8,10,12	569	40.73	40.73	759	47.06	47.06	-	-	-
84	1.55	14.00	22.00	3-6,8,10,12	562	35.42	35.42	749	41.38	41.38	-	-	-
85	1.57	17.00	27.00	4-6,8,10,12	555	45.85	45.85	740	52.26	52.26	-	-	-
86	1.58	15.00	24.00	3-6,8,10,12	552	39.05	39.05	736	45.32	45.32	-	-	-
87	1.60	13.50	22.00	3-6,8,10,12	543	33.65	33.65	724	39.44	39.44	1092	41.05	41.05
88	1.63	14.50	24.00	3-6,8,10,12	534	37.34	37.34	712	43.50	43.50	-	-	-
89	1.63	20.00	33.00	4-6,8,10,12	533	55.11	55.11	711	60.57	60.57	-	-	-
90	1.63	12.00	20.00	4-6,8,10,12	532	27.99	27.99	710	33.00	33.00	1070	35.68	35.68
91	1.66	13.00	22.00	3-6,8,10,12	524	31.85	31.85	698	37.43	37.43	1053	39.56	39.56
92	1.66	16.00	27.00	3-6,8,10,12	523	42.62	42.62	698	49.07	49.07	-	-	-
93	1.68	14.00	24.00	3-6,8,10,12	516	35.59	35.59	688	41.60	41.60	-	-	-
94	1.71	15.50	27.00	3-6,8,10,12	508	40.96	40.96	677	47.36	47.36	-	-	-
95	1.74	13.50	24.00	3-6,8,10,12	499	33.80	33.80	665	39.63	39.63	1003	41.34	41.34
96	1.77	15.00	27.00	3-6,8,10,12	492	39.25	39.25	656	45.58	45.58	-	-	-
97	1.79	12.00	22.00	3-6,8,10,12	485	28.13	28.13	647	33.19	33.19	976	35.97	35.97
98	1.80	22.00	40.00	3-6,8,10,12	484	60.65	60.65	-	-	-	-	-	-
99	1.81	18.00	33.00	3-6,8,10,12	482	49.29	49.29	642	55.62	55.62	-	-	-
100	1.81	13.00	24.00	3-6,8,10,12	481	31.97	31.97	641	37.59	37.59	967	39.81	39.81

Shaded area diameters are below industry standard for belt.



# DP & DX Belts In D Sheaves

## Drive Selection Tables

CENTER DISTANCE AND COMBINED ARC-LENGTH CORRECTION FACTOR ▲																LINE #
D120	D128	D144	D158	D162	D173	D180	D195	D210	D240	D270	D300	D330	D360	D390	D420	
30.2	34.2	42.2	49.2	51.2	56.7	60.2	67.7	74.0	89.0	104.0	119.0	134.0	149.0	164.0	179.0	51
38.8	42.8	50.9	57.9	59.9	65.4	68.9	76.4	82.6	97.6	112.6	127.6	142.6	157.6	172.6	187.6	52
-	-	35.1	42.1	44.1	49.6	53.1	60.6	66.9	81.9	96.9	111.9	126.9	141.9	156.9	171.9	53
36.1	40.1	48.1	55.1	57.1	62.6	66.1	73.6	79.9	94.9	109.9	124.9	139.9	154.9	169.9	184.9	54
40.4	44.4	52.4	59.4	61.4	66.9	70.4	77.9	84.2	99.2	114.2	129.2	144.2	159.2	174.2	189.2	55
■ 0.88	0.89	0.91	0.93	0.93	0.94	0.95	0.96	0.97	1.00	1.02	1.03	1.05	1.06	1.08	1.09	■
33.3	37.3	45.3	52.3	54.3	59.8	63.3	70.8	77.1	92.1	107.1	122.1	137.1	152.1	167.1	182.1	56
37.7	41.7	49.7	56.7	58.7	64.2	67.7	75.2	81.4	96.4	111.4	126.4	141.4	156.4	171.4	186.4	57
36.5	40.5	48.5	55.5	57.5	63.0	66.5	74.0	80.2	95.2	110.2	125.3	140.3	155.3	170.3	185.3	58
40.0	44.0	52.0	59.0	61.0	66.5	70.0	77.5	83.8	98.8	113.8	128.8	143.8	158.8	173.8	188.8	59
37.7	41.7	49.7	56.7	58.7	64.2	67.7	75.2	81.4	96.4	111.4	126.4	141.4	156.4	171.4	186.4	60
■ 0.88	0.89	0.91	0.93	0.93	0.94	0.95	0.96	0.97	1.00	1.02	1.03	1.05	1.06	1.08	1.09	■
30.9	34.9	42.9	50.0	52.0	57.5	61.0	68.5	74.7	89.7	104.7	119.7	134.7	149.7	164.8	179.8	61
38.0	42.0	50.0	57.1	59.1	64.6	68.1	75.6	81.8	96.8	111.8	126.8	141.8	156.8	171.8	186.8	62
39.6	43.6	51.6	58.6	60.6	66.1	69.6	77.1	83.4	98.4	113.4	128.4	143.4	158.4	173.4	188.4	63
36.8	40.8	48.8	55.8	57.8	63.3	66.8	73.8	80.1	95.1	110.1	125.1	140.1	155.1	170.1	185.1	64
34.1	38.1	46.1	53.1	55.1	60.6	64.1	71.6	77.9	92.9	107.9	122.9	137.9	152.9	167.9	182.9	65
■ 0.88	0.89	0.91	0.92	0.93	0.94	0.95	0.96	0.97	0.99	1.01	1.03	1.05	1.06	1.08	1.09	■
28.5	32.5	40.6	47.6	49.6	55.1	58.6	66.1	72.4	87.4	102.4	117.4	132.4	147.4	162.4	177.4	66
-	28.5	36.6	43.6	45.6	51.1	54.6	62.1	68.4	83.4	98.4	113.4	128.4	143.4	158.4	173.5	67
31.7	35.7	43.7	50.7	52.7	58.2	61.7	69.2	75.5	90.5	105.5	120.5	135.5	150.5	165.5	180.5	68
34.4	38.4	46.4	53.4	55.4	60.9	64.4	71.9	78.2	93.2	108.2	123.2	138.2	153.2	168.2	183.2	69
37.2	41.2	49.2	56.2	58.2	63.7	67.2	74.7	81.0	96.0	111.0	126.0	141.0	156.0	171.0	186.0	70
■ 0.87	0.88	0.90	0.92	0.92	0.94	0.94	0.96	0.97	0.99	1.01	1.03	1.05	1.06	1.08	1.09	■
38.8	42.8	50.8	57.8	59.8	65.3	68.8	76.3	82.6	97.6	112.6	127.6	142.6	157.6	172.6	187.6	71
29.2	33.2	41.2	48.2	50.2	55.7	59.2	66.7	73.0	88.0	103.0	118.0	133.0	148.0	163.0	178.0	72
32.0	36.0	44.0	51.0	53.0	58.5	62.0	69.5	75.8	90.8	105.8	120.8	135.8	150.8	165.8	180.8	73
34.8	38.8	46.8	53.8	55.8	61.3	64.8	72.3	78.6	93.6	108.6	123.6	138.6	153.6	168.6	183.6	74
32.4	36.4	44.4	51.4	53.4	58.9	62.4	70.0	76.3	91.3	106.3	121.3	136.3	151.3	166.3	181.3	75
■ 0.87	0.88	0.90	0.92	0.92	0.94	0.94	0.96	0.97	0.99	1.01	1.03	1.05	1.06	1.08	1.09	■
35.2	39.2	47.2	54.2	56.2	61.7	65.2	72.7	79.0	94.0	109.0	124.0	139.0	154.0	169.0	184.0	76
38.0	42.0	50.0	57.0	59.0	64.5	68.0	75.5	81.8	96.8	111.8	126.8	141.8	156.8	171.8	186.8	77
30.0	34.0	42.0	49.0	51.0	56.5	60.0	67.5	73.8	88.8	103.8	118.8	133.8	148.8	163.8	178.8	78
25.9	30.0	38.0	45.0	47.0	52.5	56.0	63.5	69.8	84.8	99.8	114.8	129.8	144.8	159.8	174.8	79
-	-	-	37.0	39.0	44.5	48.0	55.5	61.8	76.8	91.8	106.8	121.8	136.8	151.8	166.8	80
■ 0.86	0.87	0.90	0.91	0.92	0.93	0.94	0.95	0.96	0.99	1.01	1.03	1.04	1.06	1.07	1.09	■
32.8	36.8	44.8	51.8	53.8	59.3	62.8	70.3	76.6	91.6	106.6	121.6	136.6	151.6	166.6	181.6	81
35.6	39.6	47.6	54.6	56.6	62.1	65.6	73.1	79.4	94.4	109.4	124.4	139.4	154.4	169.4	184.4	82
30.3	34.3	42.3	49.3	51.3	56.8	60.3	67.8	74.1	89.1	104.1	119.1	134.1	149.1	164.1	179.1	83
33.1	37.1	45.1	52.1	54.1	59.6	63.1	70.6	76.9	91.9	106.9	121.9	136.9	151.9	166.9	181.9	84
26.6	30.6	38.6	45.6	47.6	53.1	56.6	64.1	70.4	85.4	100.4	115.4	130.4	145.4	160.4	175.4	85
■ 0.86	0.87	0.90	0.91	0.92	0.93	0.94	0.95	0.96	0.99	1.01	1.03	1.04	1.06	1.07	1.09	■
30.7	34.7	42.7	49.7	51.7	57.2	60.7	68.2	74.5	89.5	104.5	119.5	134.5	149.5	164.5	179.5	86
33.5	37.5	45.5	52.5	54.5	60.0	63.5	71.0	77.3	92.3	107.3	122.3	137.3	152.3	167.3	182.3	87
31.0	35.0	43.0	50.0	52.0	57.5	61.0	68.5	74.8	89.8	104.8	119.8	134.8	149.8	164.8	179.8	88
-	-	31.3	38.3	40.3	45.8	49.3	56.8	63.1	78.1	93.1	108.1	123.1	138.1	153.1	168.1	89
36.3	40.3	48.3	55.3	57.3	62.8	66.3	73.8	80.1	95.1	110.1	125.1	140.1	155.1	170.1	185.1	90
■ 0.86	0.87	0.89	0.91	0.91	0.93	0.93	0.95	0.96	0.99	1.01	1.03	1.04	1.06	1.07	1.08	■
33.9	37.9	45.9	53.0	55.0	60.5	64.0	71.5	77.8	92.8	107.8	122.8	137.8	152.8	167.9	182.9	91
27.3	31.3	39.3	46.3	48.3	53.8	57.3	64.8	71.1	86.1	101.1	116.1	131.1	146.1	161.1	176.1	92
31.4	35.4	43.4	50.4	52.4	57.9	61.4	68.9	75.2	90.2	105.2	120.2	135.2	150.2	165.2	180.2	93
27.7	31.7	39.7	46.7	48.7	54.2	57.7	65.2	71.5	86.5	101.5	116.5	131.5	146.5	161.5	176.5	94
31.8	35.8	43.8	50.8	52.8	58.3	61.8	69.3	75.6	90.6	105.6	120.6	135.6	150.6	165.6	180.6	95
■ 0.85	0.86	0.89	0.91	0.91	0.93	0.93	0.95	0.96	0.99	1.01	1.03	1.04	1.06	1.07	1.08	■
28.0	32.0	40.0	47.0	49.0	54.5	58.0	65.5	71.8	86.8	101.8	116.8	131.8	146.8	161.8	176.8	96
34.6	38.6	46.6	53.6	55.6	61.1	64.6	72.1	78.4	93.4	108.4	123.4	138.4	153.4	168.4	183.4	97
-	-	-	-	-	38.4	42.0	49.5	55.8	70.8	85.8	100.8	115.8	130.8	145.8	160.8	98
-	-	32.7	39.7	41.7	47.2	50.7	58.2	64.5	79.5	94.5	109.5	124.5	139.5	154.5	169.5	99
32.1	36.1	44.1	51.1	53.1	58.6	62.1	69.6	75.9	90.9	105.9	120.9	135.9	150.9	165.9	180.9	100
■ 0.85	0.86	0.88	0.90	0.91	0.91	0.92	0.94	0.95	0.98	1.00	1.02	1.04	1.05	1.07	1.08	■

▲ Not all available belt lengths are shown.

■ Combined Arc-Length correction factors for 5 preceding lines.

# DP & DX Belts In D Sheaves

## Drive Selection Tables

LINE #	RATIO	STOCK SHEAVES			DRIVEN SPEEDS AND HORSEPOWER RATINGS PER BELT								
		Datum Diameter		Number Grooves	870 RPM			1160 RPM			1750 RPM		
		DR	DN		Driven Speed	H.P. Ratings		Driven Speed	H.P. Ratings		Driven Speed	H.P. Ratings	
						DP	DX		DP	DX		DP	DX
101	1.83	14.50	27.00	3-6,8,10,12	476	37.51	37.51	635	43.73	43.73	-	-	-
102	1.89	14.00	27.00	3-6,8,10,12	460	35.74	35.74	614	41.80	41.80	-	-	-
103	1.91	17.00	33.00	4-6,8,10,12	456	46.14	46.14	608	52.65	52.65	-	-	-
104	1.95	12.00	24.00	3-6,8,10,12	446	28.22	28.22	594	33.31	33.31	896	36.15	36.15
105	1.96	13.50	27.00	3-6,8,10,12	444	33.93	33.93	593	39.80	39.80	894	41.60	41.60
106	1.97	20.00	40.00	4-6,8,10,12	441	55.36	55.36	589	60.90	60.90	-	-	-
107	2.02	16.00	33.00	3-6,8,10,12	430	42.86	42.86	573	49.38	49.38	-	-	-
108	2.03	13.00	27.00	3-6,8,10,12	429	32.09	32.09	572	37.74	37.74	862	40.03	40.03
109	2.09	15.50	33.00	3-6,8,10,12	417	41.16	41.16	556	47.64	47.64	-	-	-
110	2.15	22.00	48.00	5-6,8,10,1	405	60.81	60.81	-	-	-	-	-	-
111	2.15	15.00	33.00	3-6,8,10,12	404	39.43	39.43	539	45.82	45.82	-	-	-
112	2.18	18.00	40.00	3-6,8,10,12	399	49.45	49.45	531	55.84	55.84	-	-	-
113	2.19	12.00	27.00	3-6,8,10,12	397	28.31	28.31	530	33.43	33.43	799	36.32	36.32
114	2.23	14.50	33.00	3-6,8,10,12	391	37.67	37.67	521	43.94	43.94	-	-	-
115	2.30	14.00	33.00	3-6,8,10,12	378	35.88	35.88	504	41.99	41.99	-	-	-
116	2.31	17.00	40.00	4-6,8,10,12	377	46.28	46.28	503	52.83	52.83	-	-	-
117	2.36	20.00	48.00	5-6,8,10,1	369	55.47	55.47	492	61.05	61.05	-	-	-
118	2.38	13.50	33.00	3-6,8,10,12	365	34.05	34.05	487	39.97	39.97	734	41.85	41.85
119	2.45	16.00	40.00	3-6,8,10,12	356	42.96	42.96	474	49.53	49.53	-	-	-
120	2.47	13.00	33.00	3-6,8,10,12	352	32.19	32.19	470	37.89	37.89	708	40.25	40.25
121	2.52	15.50	40.00	3-6,8,10,12	345	41.26	41.26	460	47.77	47.77	-	-	-
122	2.59	22.00	58.00	5-6,8,10,1	336	60.89	60.89	-	-	-	-	-	-
123	2.60	15.00	40.00	3-6,8,10,12	334	39.52	39.52	446	45.94	45.94	-	-	-
124	2.61	18.00	48.00	5-6,8,10,1	333	49.53	49.53	444	55.94	55.94	-	-	-
125	2.67	12.00	33.00	3-6,8,10,12	326	28.39	28.39	435	33.54	33.54	656	36.49	36.49
126	2.69	14.50	40.00	3-6,8,10,12	324	37.75	37.75	431	44.04	44.04	-	-	-
127	2.76	17.00	48.00	5-6,8,10,1	315	46.34	46.34	420	52.92	52.92	-	-	-
128	2.78	14.00	40.00	3-6,8,10,12	313	35.95	35.95	417	42.08	42.08	-	-	-
129	2.84	20.00	58.00	5-6,8,10,1	306	55.53	55.53	408	61.14	61.14	-	-	-
130	2.88	13.50	40.00	3-6,8,10,12	302	34.11	34.11	403	40.05	40.05	608	41.97	41.97
131	2.93	16.00	48.00	5-6,8,10,1	297	43.02	43.02	396	49.60	49.60	-	-	-
132	2.99	13.00	40.00	3-6,8,10,12	291	32.25	32.25	389	37.96	37.96	586	40.36	40.36
133	3.02	15.50	48.00	5-6,8,10,1	288	41.31	41.31	384	47.83	47.83	-	-	-
134	3.12	15.00	48.00	5-6,8,10,1	279	39.56	39.56	372	46.00	46.00	-	-	-
135	3.15	18.00	58.00	5-6,8,10,1	276	49.57	49.57	368	56.00	56.00	-	-	-
136	3.22	14.50	48.00	5-6,8,10,1	270	37.79	37.79	360	44.09	44.09	-	-	-
137	3.22	12.00	40.00	3-6,8,10,12	270	28.43	28.43	360	33.59	33.59	543	36.57	36.57
138	3.33	14.00	48.00	5-6,8,10,1	261	35.98	35.98	348	42.13	42.13	-	-	-
139	3.33	17.00	58.00	5-6,8,10,1	261	46.38	46.38	348	52.97	52.97	-	-	-
140	3.45	13.50	48.00	5-6,8,10,1	252	34.14	34.14	337	40.09	40.09	508	42.04	42.04
141	3.53	16.00	58.00	5-6,8,10,1	246	43.05	43.05	329	49.64	49.64	-	-	-
142	3.57	13.00	48.00	5-6,8,10,1	243	32.28	32.28	325	38.00	38.00	490	40.42	40.42
143	3.64	15.50	58.00	5-6,8,10,1	239	41.34	41.34	319	47.87	47.87	-	-	-
144	3.76	15.00	58.00	5-6,8,10,1	232	39.59	39.59	309	46.03	46.03	-	-	-
145	3.86	12.00	48.00	5-6,8,10,1	226	28.45	28.45	301	33.63	33.63	454	36.62	36.62
146	3.88	14.50	58.00	5-6,8,10,1	224	37.81	37.81	299	44.13	44.13	-	-	-
147	4.01	14.00	58.00	5-6,8,10,1	217	36.00	36.00	289	42.16	42.16	-	-	-
148	4.16	13.50	58.00	5-6,8,10,1	209	34.16	34.16	279	40.12	40.12	421	42.08	42.08
149	4.31	13.00	58.00	5-6,8,10,1	202	32.30	32.30	269	38.02	38.02	406	40.46	40.46
150	4.65	12.00	58.00	5-6,8,10,1	187	28.47	28.47	249	33.65	33.65	376	36.65	36.65

Shaded area diameters are below industry standard for belt.

# DP & DX Belts In D Sheaves

## Drive Selection Tables

CENTER DISTANCE AND COMBINED ARC-LENGTH CORRECTION FACTOR ▲																LINE #
D120	D128	D144	D158	D162	D173	D180	D195	D210	D240	D270	D300	D330	D360	D390	D420	
28.4	32.5	40.6	47.6	49.7	55.2	58.7	66.3	72.5	87.6	102.6	117.6	132.7	147.7	162.7	177.7	101
28.7	32.8	40.9	48.0	50.0	55.6	59.1	66.6	72.9	88.0	103.0	118.0	133.0	148.1	163.1	178.1	102
-	-	33.4	40.6	42.6	48.2	51.8	59.3	65.6	80.7	95.8	110.8	125.9	140.9	155.9	170.9	103
32.8	36.9	45.0	52.0	54.0	59.6	63.1	70.6	76.9	91.9	107.0	122.0	137.0	152.0	167.0	182.0	104
29.1	33.2	41.3	48.4	50.4	55.9	59.5	67.0	73.3	88.3	103.4	118.4	133.4	148.4	163.5	178.5	105
<b>■ 0.83 0.85 0.88 0.90 0.90 0.92 0.93 0.94 0.95 0.98 1.00 1.02 1.04 1.05 1.07 1.08 ■</b>																
-	-	-	-	34.1	39.8	43.4	51.0	57.4	72.6	87.7	102.8	117.9	132.9	147.9	163.0	106
-	-	34.1	41.3	43.3	48.9	52.5	60.1	66.4	81.5	96.5	111.6	126.6	141.7	156.7	171.7	107
29.4	33.5	41.6	48.7	50.8	56.3	59.8	67.4	73.7	88.7	103.7	118.8	133.8	148.8	163.8	178.8	108
-	-	34.4	41.6	43.7	49.3	52.8	60.4	66.7	81.8	96.9	112.0	127.0	142.0	157.1	172.1	109
-	-	-	-	-	-	-	42.2	48.7	64.1	79.4	94.5	109.7	124.7	139.8	154.9	110
<b>■ 0.83 0.85 0.86 0.88 0.88 0.90 0.91 0.92 0.93 0.97 0.99 1.01 1.03 1.05 1.06 1.08 ■</b>																
-	-	34.8	42.0	44.0	49.6	53.2	60.8	67.1	82.2	97.3	112.3	127.4	142.4	157.4	172.5	111
-	-	-	33.3	35.4	41.1	44.7	52.4	58.8	74.0	89.2	104.3	119.3	134.4	149.4	164.5	112
30.1	34.2	42.4	49.5	51.5	57.0	60.6	68.1	74.4	89.5	104.5	119.5	134.6	149.6	164.6	179.6	113
-	-	35.1	42.3	44.4	50.0	53.5	61.1	67.5	82.6	97.7	112.7	127.8	142.8	157.8	172.8	114
-	27.1	35.5	42.7	44.7	50.3	53.9	61.5	67.8	82.9	98.0	113.1	128.1	143.2	158.2	173.2	115
<b>■ 0.82 0.82 0.85 0.87 0.88 0.90 0.91 0.93 0.94 0.97 0.99 1.01 1.03 1.05 1.06 1.08 ■</b>																
-	-	-	33.9	36.0	41.8	45.4	53.1	59.5	74.7	89.9	105.0	120.1	135.1	150.2	165.2	116
-	-	-	-	-	-	-	43.5	50.0	65.5	80.8	96.0	111.1	126.2	141.3	156.4	117
-	27.4	35.8	43.0	45.1	50.7	54.3	61.9	68.2	83.3	98.4	113.5	128.5	143.5	158.6	173.6	118
-	-	34.6	41.6	43.6	49.2	52.8	60.4	66.7	81.8	96.9	112.0	127.0	142.0	157.1	172.1	119
-	27.7	36.1	43.4	45.4	51.0	54.6	62.2	68.5	83.7	98.8	113.8	128.9	143.9	159.0	174.0	120
<b>■ 0.80 0.84 0.85 0.86 0.88 0.89 0.91 0.92 0.96 0.98 1.01 1.03 1.04 1.06 1.07 ■</b>																
-	-	-	34.9	37.0	42.8	46.4	54.2	60.6	75.8	91.0	106.1	121.2	136.3	151.3	166.4	121
-	-	-	-	-	-	-	-	-	54.6	70.3	85.7	101.0	116.2	131.3	146.5	122
-	-	-	35.2	37.4	43.1	46.8	54.5	60.9	76.2	91.3	106.5	121.6	136.6	151.7	166.7	123
-	-	-	-	-	-	36.8	44.8	51.4	66.9	82.2	97.4	112.6	127.7	142.8	157.9	124
-	28.4	36.8	44.1	46.1	51.7	55.3	62.9	69.3	84.4	99.5	114.6	129.6	144.7	159.7	174.7	125
<b>■ 0.79 0.84 0.84 0.85 0.88 0.87 0.90 0.92 0.94 0.97 1.00 1.02 1.04 1.05 1.07 ■</b>																
-	-	-	35.6	37.7	43.5	47.1	54.9	61.3	76.5	91.7	106.8	121.9	137.0	152.1	167.1	126
-	-	-	-	-	37.4	45.5	52.0	67.6	82.9	98.1	113.3	128.4	143.5	158.6	173.7	127
-	-	-	35.9	38.0	43.8	47.5	55.2	61.6	76.9	92.1	107.2	122.3	137.4	152.4	167.5	128
-	-	-	-	-	-	-	-	-	55.9	71.6	87.1	102.4	117.6	132.8	147.9	129
-	-	-	36.2	38.3	44.1	47.8	55.6	62.0	77.2	92.4	107.6	122.7	137.7	152.8	167.9	130
<b>■ 0.83 0.84 0.86 0.86 0.89 0.91 0.94 0.97 0.99 1.02 1.03 1.05 1.07 ■</b>																
-	-	-	-	-	-	38.0	46.1	52.7	68.3	83.6	98.8	114.0	129.1	144.2	159.3	131
-	-	-	36.5	38.7	44.5	48.1	55.9	62.3	77.6	92.8	107.9	123.0	138.1	153.2	168.2	132
-	-	-	-	-	-	38.3	46.4	53.0	68.6	84.0	99.2	114.4	129.5	144.6	159.7	133
-	-	-	-	-	34.8	38.6	46.8	53.4	68.9	84.3	99.6	114.7	129.9	145.0	160.1	134
-	-	-	-	-	-	-	-	-	57.2	73.0	88.4	103.8	119.0	134.2	149.4	135
<b>■ 0.82 0.84 0.83 0.83 0.87 0.89 0.93 0.96 0.99 1.01 1.03 1.05 1.06 ■</b>																
-	-	-	-	-	35.1	39.0	47.1	53.7	69.3	84.7	99.9	115.1	130.2	145.3	160.4	136
-	-	29.5	37.2	39.3	45.1	48.8	56.6	63.0	78.3	93.5	108.7	123.8	138.9	153.9	169.0	137
-	-	-	-	-	35.4	39.3	47.4	54.0	69.6	85.0	100.3	115.5	130.6	145.7	160.8	138
-	-	-	-	-	-	-	-	41.4	57.9	73.6	89.1	104.5	119.7	134.9	150.1	139
-	-	-	-	35.7	39.6	47.7	54.4	70.0	85.4	100.6	115.8	131.0	146.1	161.2	176.3	140
<b>■ 0.77 0.82 0.83 0.81 0.83 0.87 0.87 0.92 0.96 0.99 1.01 1.03 1.05 1.06 ■</b>																
-	-	-	-	-	-	-	-	42.0	58.5	74.3	89.8	105.2	120.4	135.7	150.8	141
-	-	-	-	-	36.0	39.9	48.1	54.7	70.3	85.7	101.0	116.2	131.3	146.4	161.5	142
-	-	-	-	-	-	-	-	42.3	58.8	74.6	90.2	105.5	120.8	136.0	151.2	143
-	-	-	-	-	-	-	-	42.6	59.2	75.0	90.5	105.9	121.2	136.4	151.5	144
-	-	-	-	36.6	40.5	48.7	55.3	71.0	86.4	101.7	116.9	132.0	147.2	162.3	177.4	145
<b>■ 0.79 0.81 0.85 0.83 0.90 0.94 0.97 1.00 1.02 1.04 1.05 ■</b>																
-	-	-	-	-	-	-	-	43.0	59.5	75.3	90.9	106.2	121.5	136.7	151.9	146
-	-	-	-	-	-	-	-	43.3	59.8	75.7	91.2	106.6	121.9	137.1	152.3	147
-	-	-	-	-	-	-	-	43.6	60.1	76.0	91.5	106.9	122.2	137.4	152.6	148
-	-	-	-	-	-	-	-	43.9	60.4	76.3	91.9	107.3	122.6	137.8	153.0	149
-	-	-	-	-	-	-	-	44.5	61.1	77.0	92.6	108.0	123.3	138.5	153.7	150
<b>■ 0.80 0.88 0.93 0.96 0.99 1.01 1.03 1.05 ■</b>																

▲ Not all available belt lengths are shown.

■ Combined Arc-Length correction factors for 5 preceding lines.

# Horsepower Ratings For AP Belts

Classical horsepower ratings per belt are listed below and on the facing page. To obtain the basic horsepower rating per belt, locate the rpm of the faster shaft in the left-hand column. Read on this line across to the column headed by the diameter of the smaller sheave. The figure given is the basic horsepower rating. For convenience the standard motor speeds are grouped at the beginning of the chart. On the same horizontal line read the "add-on" rating in the column headed by the drive speed ratio. Add the basic rating to the "add-on" rating to obtain the total horsepower rating per belt.

		BASIC HORSEPOWER RATING PER BELT														
		SMALL SHEAVE DIAMETER														
Datum		3.00	3.20	3.40	3.60	3.80	4.00	4.20	4.40	4.60	4.80	5.00	5.20	5.40	5.60	5.80
Pitch		3.25	3.45	3.65	3.85	4.05	4.25	4.45	4.65	4.85	5.05	5.25	5.45	5.65	5.85	6.05
RPM OF FASTER SHAFT	1160	1.62	1.87	2.13	2.38	2.63	2.88	3.13	3.37	3.62	3.86	4.10	4.34	4.57	4.81	5.04
	1460	1.89	2.21	2.52	2.82	3.13	3.43	3.73	4.03	4.32	4.61	4.90	5.19	5.47	5.76	6.04
	1750	2.13	2.50	2.86	3.21	3.57	3.92	4.26	4.61	4.94	5.28	5.61	5.94	6.27	6.59	6.90
	2900	2.82	3.36	3.89	4.41	4.92	5.41	5.90	6.38	6.85	7.30	7.74	8.18	8.60	9.01	9.40
	3500	3.02	3.63	4.22	4.80	5.36	5.91	6.44	6.95	7.44	7.92	8.38	8.82	9.24	9.64	10.0
	600	0.99	1.14	1.28	1.42	1.56	1.70	1.84	1.98	2.11	2.25	2.39	2.52	2.66	2.79	2.93
	700	1.12	1.28	1.44	1.61	1.77	1.93	2.09	2.25	2.40	2.56	2.72	2.87	3.03	3.18	3.33
	800	1.23	1.42	1.60	1.78	1.97	2.15	2.33	2.50	2.68	2.86	3.03	3.21	3.38	3.55	3.73
	900	1.35	1.55	1.75	1.96	2.16	2.36	2.56	2.75	2.95	3.15	3.34	3.53	3.73	3.92	4.11
	1000	1.45	1.68	1.90	2.12	2.34	2.56	2.78	3.00	3.21	3.43	3.64	3.85	4.06	4.27	4.48
	1200	1.66	1.92	2.18	2.44	2.70	2.96	3.21	3.46	3.71	3.96	4.21	4.45	4.70	4.94	5.18
	1400	1.84	2.14	2.44	2.74	3.03	3.32	3.61	3.90	4.18	4.47	4.75	5.02	5.30	5.57	5.84
	1600	2.01	2.35	2.69	3.02	3.35	3.67	3.99	4.31	4.63	4.94	5.25	5.56	5.87	6.17	6.47
	1800	2.17	2.54	2.91	3.28	3.64	4.00	4.35	4.70	5.05	5.39	5.73	6.06	6.39	6.72	7.04
	2000	2.32	2.72	3.13	3.52	3.91	4.30	4.68	5.06	5.44	5.81	6.17	6.53	6.88	7.23	7.58
	2200	2.45	2.89	3.32	3.75	4.17	4.59	5.00	5.40	5.80	6.19	6.58	6.96	7.34	7.71	8.07
	2400	2.57	3.04	3.50	3.96	4.41	4.85	5.28	5.71	6.13	6.55	6.96	7.36	7.75	8.14	8.51
	2600	2.68	3.18	3.67	4.15	4.63	5.09	5.55	6.00	6.44	6.87	7.30	7.71	8.12	8.52	8.91
	2800	2.78	3.30	3.82	4.33	4.82	5.31	5.79	6.26	6.72	7.17	7.61	8.03	8.45	8.86	9.25
	3000	2.86	3.41	3.95	4.48	5.00	5.51	6.01	6.49	6.97	7.43	7.87	8.31	8.73	9.14	9.54
3200	2.94	3.51	4.07	4.62	5.16	5.69	6.20	6.70	7.18	7.65	8.11	8.55	8.97	9.38	9.78	
3400	3.00	3.59	4.18	4.75	5.30	5.84	6.36	6.87	7.36	7.84	8.30	8.74	9.16	9.57	9.95	
3600	3.04	3.66	4.26	4.85	5.42	5.97	6.50	7.02	7.51	7.99	8.45	8.88	9.30	9.69	10.1	
3800	3.08	3.71	4.33	4.93	5.51	6.07	6.61	7.13	7.63	8.10	8.55	8.98	9.38	9.76	10.1	
4000	3.10	3.75	4.38	4.99	5.58	6.15	6.69	7.21	7.70	8.17	8.61	9.03	9.42	9.77*	10.1*	
4200	3.11	3.77	4.42	5.04	5.63	6.20	6.74	7.26	7.74	8.20	8.63	9.02	9.39*	9.72*	10.0*	
4400	3.10	3.78	4.43	5.06	5.66	6.23	6.76	7.27	7.75	8.19	8.60*	8.97*	9.30*	9.60*	9.86*	
4600	3.08	3.77	4.43	5.06	5.66	6.22	6.75	7.25	7.71	8.13*	8.51*	8.86*	9.16*	9.42*	9.64*	
4800	3.05	3.74	4.41	5.04	5.63	6.19	6.71	7.19	7.63*	8.02*	8.38*	8.69*	8.95*	9.16*	9.33*	
5000	3.00	3.70	4.37	4.99	5.58	6.13	6.63	7.09*	7.50*	7.87*	8.19*	8.46*	8.67*	8.83*	8.94*	

\* Made-to-order ductile iron sheaves required.

# Horsepower Ratings For AP Belts

The combined Arc-Length correction factor shown in the Classical pre-engineered drive tables or in the Arc-of-Contact correction factor table and the Belt Length correction factor table, page B2-25, should be applied to the total hp per belt before determining the number of belts required for the drive.

NOTE: These ratings apply for the Classical type belts only.

BASIC HORSEPOWER RATING PER BELT						"ADD-ON" RATING								
SMALL SHEAVE DIAMETER						SPEED RATIO								
6.00	6.20	6.40	6.60	6.80	7.00	1.00	1.02	1.06	1.10	1.15	1.20	1.30	1.50	2.00
6.25	6.45	6.65	6.85	7.05	7.25	1.01	1.05	1.09	1.14	1.19	1.29	1.49	1.99	9.99
5.28	5.51	5.74	5.96	6.19	6.42	0.01	0.05	0.09	0.13	0.16	0.20	0.25	0.29	0.33
6.31	6.59	6.86	7.13	7.40	7.66	0.01	0.06	0.11	0.16	0.21	0.25	0.31	0.37	0.41
7.22	7.53	7.84	8.14	8.44	8.73	0.01	0.07	0.13	0.19	0.25	0.31	0.38	0.44	0.49
9.79	10.2	10.5	10.9	11.2	11.5	0.02	0.11	0.22	0.32	0.41	0.51	0.62	0.74	0.82
10.4	10.7	11.0*	11.3*	11.6*	11.8*	0.02	0.14	0.27	0.39	0.49	0.61	0.75	0.89	0.99
3.06	3.19	3.33	3.46	3.59	3.72	0.00	0.02	0.05	0.07	0.08	0.10	0.13	0.15	0.17
3.49	3.64	3.79	3.94	4.09	4.24	0.00	0.03	0.05	0.08	0.10	0.12	0.15	0.18	0.20
3.90	4.07	4.24	4.41	4.57	4.74	0.00	0.03	0.06	0.09	0.11	0.14	0.17	0.20	0.23
4.30	4.48	4.67	4.86	5.04	5.23	0.01	0.04	0.07	0.10	0.13	0.16	0.19	0.23	0.25
4.68	4.89	5.09	5.29	5.49	5.70	0.01	0.04	0.08	0.11	0.14	0.17	0.22	0.25	0.28
5.42	5.66	5.89	6.13	6.36	6.59	0.01	0.05	0.09	0.13	0.17	0.21	0.26	0.30	0.34
6.11	6.38	6.64	6.91	7.17	7.42	0.01	0.06	0.11	0.16	0.20	0.24	0.30	0.36	0.39
6.76	7.05	7.34	7.63	7.92	8.20	0.01	0.06	0.12	0.18	0.23	0.28	0.34	0.41	0.45
7.36	7.68	7.99	8.30	8.60	8.90	0.01	0.07	0.14	0.20	0.25	0.31	0.39	0.46	0.51
7.92	8.26	8.59	8.91	9.23	9.55	0.01	0.08	0.15	0.22	0.28	0.35	0.43	0.51	0.56
8.43	8.78	9.12	9.46	9.79	10.1	0.01	0.09	0.17	0.24	0.31	0.38	0.47	0.56	0.62
8.88	9.25	9.60	9.95	10.3	10.6	0.01	0.09	0.18	0.27	0.34	0.42	0.52	0.61	0.68
9.29	9.66	10.0	10.4	10.7	11.0	0.02	0.10	0.20	0.29	0.37	0.45	0.56	0.66	0.73
9.63	10.0	10.4	10.7	11.0	11.4	0.02	0.11	0.22	0.31	0.39	0.49	0.60	0.71	0.79
9.92	10.3	10.6	11.0	11.3	11.6	0.02	0.12	0.23	0.33	0.42	0.52	0.65	0.76	0.85
10.2	10.5	10.9	11.2	11.5	11.8	0.02	0.13	0.25	0.35	0.45	0.56	0.69	0.81	0.90
10.3	10.7	11.0	11.3	11.6*	11.8*	0.02	0.13	0.26	0.38	0.48	0.59	0.73	0.86	0.96
10.4	10.7*	11.0*	11.3*	11.6*	11.8*	0.02	0.14	0.28	0.40	0.51	0.63	0.78	0.91	1.01
10.4*	10.7*	11.0*	11.3*	11.5*	11.7*	0.02	0.15	0.29	0.42	0.54	0.66	0.82	0.96	1.07
10.4*	10.7*	10.9*	11.1*	11.3*	11.4*	0.02	0.16	0.31	0.44	0.56	0.70	0.86	1.02	1.13
10.3*	10.5*	10.7*	10.9*	11.0*	11.1*	0.03	0.17	0.32	0.47	0.59	0.73	0.90	1.07	1.18
10.1*	10.3*	10.4*	10.5*	10.6*	10.6*	0.03	0.17	0.34	0.49	0.62	0.77	0.95	1.12	1.24
9.81*	9.93*	10.0*	10.0*	10.0*	9.96*	0.03	0.18	0.35	0.51	0.65	0.80	0.99	1.17	1.30
9.44*	9.51*	9.52*	9.48*	9.38*	9.22*	0.03	0.19	0.37	0.53	0.68	0.84	1.03	1.22	1.35
8.99*	8.99*	8.92*	8.79*	8.60*	-	0.03	0.20	0.38	0.55	0.70	0.87	1.08	1.27	1.41

# Horsepower Ratings For AX Belts

Classical Cog horsepower ratings per belt are listed below and on the facing page. To obtain the basic horsepower rating per belt, locate the rpm of the faster shaft in the left-hand column. Read on this line across to the column headed by the diameter of the smaller sheave. The figure given is the basic horsepower rating. For convenience the standard motor speeds are grouped at the beginning of the chart. On the same horizontal line read the “add-on” rating in the column headed by the drive speed ratio. Add the basic rating to the “add-on” rating to obtain the total horsepower rating per belt.

		BASIC HORSEPOWER RATING PER BELT														
		SMALL SHEAVE DIAMETER														
		Datum	3.00	3.20	3.40	3.60	3.80	4.00	4.20	4.40	4.60	4.80	5.00	5.20	5.40	5.60
Pitch	3.25	3.45	3.65	3.85	4.05	4.25	4.45	4.65	4.85	5.05	5.25	5.45	5.65	5.85	6.05	
RPM OF FASTER SHAFT	1160	1.89	2.15	2.41	2.66	2.91	3.16	3.41	3.66	3.90	4.15	4.39	4.63	4.87	5.11	5.35
	1460	2.25	2.56	2.88	3.19	3.49	3.80	4.10	4.40	4.70	4.99	5.29	5.58	5.87	6.15	6.44
	1750	2.57	2.93	3.30	3.66	4.01	4.37	4.72	5.07	5.41	5.75	6.09	6.43	6.76	7.09	7.42
	2900	3.58	4.14	4.68	5.21	5.74	6.26	6.77	7.27	7.76	8.24	8.71	9.18	9.63	10.1	10.5
	3500	3.98	4.61	5.22	5.83	6.42	7.00	7.57	8.12	8.66	9.18	9.69	10.2	10.7	11.1	11.6
	600	1.13	1.28	1.42	1.56	1.70	1.84	1.98	2.12	2.26	2.39	2.53	2.67	2.80	2.94	3.07
	700	1.28	1.44	1.61	1.77	1.93	2.09	2.25	2.41	2.57	2.73	2.88	3.04	3.19	3.35	3.50
	800	1.42	1.61	1.79	1.97	2.16	2.34	2.52	2.70	2.87	3.05	3.23	3.40	3.58	3.75	3.92
	900	1.56	1.76	1.97	2.17	2.37	2.57	2.77	2.97	3.17	3.37	3.56	3.75	3.95	4.14	4.33
	1000	1.69	1.92	2.14	2.36	2.59	2.81	3.02	3.24	3.46	3.67	3.89	4.10	4.31	4.52	4.73
	1200	1.94	2.21	2.47	2.73	2.99	3.25	3.51	3.76	4.01	4.26	4.51	4.76	5.01	5.25	5.50
	1400	2.18	2.48	2.78	3.08	3.38	3.67	3.97	4.26	4.54	4.83	5.11	5.39	5.67	5.95	6.23
	1600	2.41	2.75	3.08	3.42	3.75	4.08	4.40	4.73	5.05	5.37	5.68	6.00	6.31	6.61	6.92
	1800	2.62	2.99	3.37	3.73	4.10	4.46	4.82	5.18	5.53	5.88	6.22	6.57	6.91	7.24	7.58
	2000	2.82	3.23	3.63	4.04	4.43	4.83	5.22	5.61	5.99	6.37	6.74	7.11	7.48	7.84	8.20
	2200	3.01	3.45	3.89	4.32	4.75	5.18	5.60	6.01	6.42	6.83	7.23	7.62	8.01	8.40	8.78
	2400	3.18	3.66	4.13	4.60	5.05	5.51	5.96	6.40	6.83	7.26	7.69	8.11	8.52	8.93	9.33
	2600	3.35	3.86	4.36	4.85	5.34	5.82	6.29	6.76	7.22	7.67	8.12	8.56	8.99	9.41	9.83
	2800	3.51	4.05	4.58	5.10	5.61	6.12	6.61	7.10	7.58	8.06	8.52	8.98	9.43	9.86	10.3
	3000	3.66	4.22	4.78	5.32	5.86	6.39	6.91	7.42	7.92	8.41	8.89	9.37	9.83	10.3	10.7
3200	3.79	4.38	4.97	5.54	6.10	6.65	7.19	7.72	8.24	8.74	9.24	9.72	10.2	10.6	11.1	
3400	3.92	4.54	5.14	5.74	6.32	6.89	7.45	7.99	8.52	9.04	9.55	10.0	10.5	11.0	11.4	
3600	4.03	4.67	5.30	5.92	6.52	7.11	7.68	8.24	8.78	9.31	9.82	10.3	10.8	11.3	11.7	
3800	4.14	4.80	5.45	6.09	6.70	7.31	7.89	8.46	9.01	9.55	10.1	10.6	11.0	11.5	11.9	
4000	4.23	4.92	5.59	6.24	6.87	7.48	8.08	8.66	9.22	9.75	10.3	10.8	11.2	11.7*	12.1*	
4200	4.31	5.02	5.70	6.37	7.02	7.64	8.25	8.83	9.39	9.93	10.4	10.9	11.4*	11.8*	12.2*	
4400	4.38	5.11	5.81	6.49	7.14	7.78	8.39	8.97	9.53	10.1	10.6*	11.1*	11.5*	11.9*	12.3*	
4600	4.44	5.18	5.90	6.59	7.25	7.89	8.50	9.09	9.64	10.2*	10.7*	11.1*	11.6*	12.0*	12.3*	
4800	4.49	5.25	5.97	6.67	7.34	7.98	8.59	9.17	9.72*	10.2*	10.7*	11.2*	11.6*	11.9*	12.3*	
5000	4.53	5.29	6.03	6.73	7.41	8.05	8.66	9.23*	9.77*	10.3*	10.7*	11.2*	11.5*	11.9*	12.2*	

\* Made-to-order ductile iron sheaves required.

# Horsepower Ratings For AX Belts

The combined Arc-Length correction factor shown in the Classical pre-engineered drive tables or in the Arc-of-Contact correction factor table and the Belt Length correction factor table, page B2-25, should be applied to the total hp per belt before determining the number of belts required for the drive.

NOTE: These ratings apply for the Classical Cog type belts only.

BASIC HORSEPOWER RATING PER BELT						"ADD-ON" RATING								
SMALL SHEAVE DIAMETER						SPEED RATIO								
6.00	6.20	6.40	6.60	6.80	7.00	1.00	1.02	1.06	1.10	1.15	1.20	1.30	1.50	2.00
6.25	6.45	6.65	6.85	7.05	7.25	1.01	1.05	1.09	1.14	1.19	1.29	1.49	1.99	9.99
5.58	5.82	6.05	6.28	6.51	6.74	0.01	0.04	0.09	0.12	0.15	0.19	0.23	0.27	0.29
6.72	7.00	7.28	7.56	7.83	8.10	0.01	0.06	0.11	0.15	0.19	0.24	0.29	0.34	0.36
7.74	8.06	8.38	8.69	9.00	9.31	0.01	0.07	0.13	0.18	0.23	0.29	0.35	0.40	0.44
10.9	11.4	11.8	12.1	12.5	12.9	0.02	0.11	0.21	0.31	0.39	0.47	0.58	0.67	0.72
12.0	12.4	12.8*	13.2*	13.6*	13.9*	0.02	0.13	0.26	0.37	0.47	0.57	0.69	0.80	0.87
3.20	3.34	3.47	3.60	3.74	3.87	0.00	0.02	0.04	0.06	0.08	0.10	0.12	0.14	0.15
3.66	3.81	3.96	4.11	4.26	4.41	0.00	0.03	0.05	0.07	0.09	0.11	0.14	0.16	0.17
4.09	4.27	4.44	4.61	4.78	4.94	0.00	0.03	0.06	0.08	0.11	0.13	0.16	0.18	0.20
4.52	4.71	4.90	5.09	5.27	5.46	0.01	0.03	0.07	0.09	0.12	0.15	0.18	0.21	0.22
4.94	5.14	5.35	5.56	5.76	5.96	0.01	0.04	0.07	0.11	0.13	0.16	0.20	0.23	0.25
5.74	5.98	6.22	6.46	6.69	6.93	0.01	0.05	0.09	0.13	0.16	0.20	0.24	0.28	0.30
6.50	6.77	7.04	7.31	7.58	7.84	0.01	0.05	0.10	0.15	0.19	0.23	0.28	0.32	0.35
7.22	7.52	7.82	8.12	8.41	8.70	0.01	0.06	0.12	0.17	0.21	0.26	0.32	0.37	0.40
7.91	8.23	8.56	8.88	9.19	9.51	0.01	0.07	0.13	0.19	0.24	0.29	0.36	0.41	0.45
8.55	8.90	9.25	9.59	9.93	10.3	0.01	0.08	0.15	0.21	0.27	0.33	0.40	0.46	0.50
9.16	9.53	9.89	10.3	10.6	11.0	0.01	0.08	0.16	0.23	0.29	0.36	0.44	0.50	0.55
9.72	10.1	10.5	10.9	11.2	11.6	0.01	0.09	0.18	0.25	0.32	0.39	0.48	0.55	0.60
10.2	10.6	11.0	11.4	11.8	12.2	0.02	0.10	0.19	0.27	0.35	0.42	0.52	0.60	0.65
10.7	11.1	11.5	11.9	12.3	12.7	0.02	0.11	0.21	0.30	0.37	0.46	0.56	0.64	0.70
11.1	11.6	12.0	12.4	12.7	13.1	0.02	0.11	0.22	0.32	0.40	0.49	0.60	0.69	0.75
11.5	11.9	12.3	12.7	13.1	13.5	0.02	0.12	0.24	0.34	0.43	0.52	0.64	0.73	0.80
11.9	12.3	12.7	13.1	13.4*	13.8*	0.02	0.13	0.25	0.36	0.45	0.55	0.67	0.78	0.85
12.1	12.5*	12.9*	13.3*	13.7*	14.0*	0.02	0.14	0.26	0.38	0.48	0.59	0.71	0.83	0.90
12.4*	12.8*	13.1*	13.5*	13.8*	14.1*	0.02	0.14	0.28	0.40	0.51	0.62	0.75	0.87	0.95
12.5*	12.9*	13.3*	13.6*	13.9*	14.2*	0.02	0.15	0.29	0.42	0.53	0.65	0.79	0.92	1.00
12.6*	13.0*	13.3*	13.6*	13.9*	14.1*	0.02	0.16	0.31	0.44	0.56	0.68	0.83	0.96	1.05
12.7*	13.0*	13.3*	13.6*	13.8*	14.0*	0.03	0.17	0.32	0.46	0.59	0.72	0.87	1.01	1.10
12.7*	13.0*	13.2*	13.4*	13.6*	13.8*	0.03	0.17	0.34	0.49	0.61	0.75	0.91	1.06	1.15
12.6*	12.8*	13.1*	13.2*	13.4*	13.4*	0.03	0.18	0.35	0.51	0.64	0.78	0.95	1.10	1.20
12.4*	12.6*	12.8*	12.9*	13.0*	-	0.03	0.19	0.37	0.53	0.67	0.82	0.99	1.15	1.25



# Horsepower Ratings For BP Belts

Classical horsepower ratings per belt are listed below and on the facing page. To obtain the basic horsepower rating per belt, locate the rpm of the faster shaft in the left-hand column. Read on this line across to the column headed by the diameter of the smaller sheave. The figure given is the basic horsepower rating. For convenience the standard motor speeds are grouped at the beginning of the chart. On the same horizontal line read the "add-on" rating in the column headed by the drive speed ratio. Add the basic rating to the "add-on" rating to obtain the total horsepower rating per belt.

Datum	SMALL SHEAVE DIAMETER															
	3.40	3.60	3.80	4.00	4.20	4.40	4.60	4.80	5.00	5.20	5.40	5.60	5.80	6.00	6.20	6.40
Pitch	3.81	4.01	4.21	4.41	4.61	4.81	5.01	5.21	5.41	5.61	5.81	6.01	6.21	6.41	6.61	6.81
	◆	◆	◆	◆	◆	◆	◆	◆	◆	◆	◆	◆	◆	◆	◆	◆
1160	1.77	2.17	2.57	2.97	3.36	3.75	4.14	4.52	4.90	5.28	5.66	6.04	6.41	6.78	7.14	7.51
1460	1.97	2.46	2.94	3.42	3.89	4.36	4.83	5.29	5.75	6.21	6.66	7.11	7.55	7.99	8.43	8.86
1750	2.10	2.66	3.22	3.78	4.32	4.87	5.40	5.93	6.46	6.98	7.50	8.00	8.51	9.00	9.49	9.98
2900	2.04	2.86	3.66	4.44	5.20	5.95	6.68	7.39	8.08	8.76	9.41	10.0	10.7	11.3	11.8	12.4
3500	1.65	2.55	3.43	4.28	5.10	5.89	6.65	7.38	8.09	8.76	9.40	10.0	10.6	11.1	11.6	12.1
400	0.92	1.08	1.23	1.39	1.54	1.69	1.84	2.00	2.15	2.30	2.45	2.60	2.75	2.89	3.04	3.19
500	1.07	1.26	1.45	1.64	1.83	2.01	2.20	2.39	2.57	2.75	2.94	3.12	3.30	3.48	3.66	3.84
600	1.21	1.43	1.66	1.88	2.10	2.32	2.54	2.75	2.97	3.19	3.40	3.62	3.83	4.04	4.25	4.46
800	1.44	1.73	2.02	2.31	2.59	2.88	3.16	3.44	3.72	4.00	4.27	4.55	4.82	5.09	5.36	5.63
1000	1.64	1.99	2.34	2.69	3.04	3.38	3.72	4.06	4.40	4.74	5.07	5.40	5.73	6.06	6.39	6.71
1200	1.80	2.22	2.63	3.03	3.44	3.84	4.24	4.63	5.02	5.41	5.80	6.19	6.57	6.95	7.33	7.70
1400	1.94	2.41	2.87	3.33	3.79	4.25	4.70	5.15	5.59	6.03	6.47	6.91	7.34	7.76	8.19	8.60
1600	2.04	2.56	3.08	3.60	4.11	4.62	5.12	5.62	6.11	6.60	7.08	7.56	8.03	8.50	8.96	9.42
1800	2.11	2.69	3.26	3.83	4.39	4.94	5.49	6.03	6.57	7.10	7.63	8.14	8.66	9.16	9.66	10.2
2000	2.16	2.79	3.41	4.02	4.63	5.23	5.82	6.40	6.98	7.55	8.11	8.66	9.20	9.74	10.3	10.8
2200	2.18	2.86	3.52	4.18	4.83	5.47	6.10	6.72	7.33	7.93	8.52	9.10	9.68	10.2	10.8	11.3
2400	2.18	2.90	3.60	4.30	4.99	5.66	6.33	6.98	7.62	8.25	8.87	9.47	10.1	10.6	11.2	11.8
2600	2.14	2.90	3.65	4.39	5.11	5.81	6.51	7.19	7.85	8.50	9.14	9.76	10.4	11.0	11.5	12.1
2800	2.08	2.88	3.66	4.43	5.18	5.92	6.64	7.34	8.02	8.69	9.34	9.97	10.6	11.2	11.8	12.3
3000	2.00	2.83	3.64	4.44	5.22	5.97	6.71	7.43	8.13	8.81	9.46	10.1	10.7	11.3	11.9	12.4
3200	1.88	2.74	3.59	4.41	5.20	5.98	6.73	7.46	8.17	8.85	9.50	10.1	10.7	11.3	11.9	12.4
3400	1.74	2.63	3.49	4.33	5.14	5.93	6.69	7.43	8.13	8.81	9.45	10.1	10.7	11.2	11.7	12.2
3600	1.56	2.47	3.36	4.21	5.04	5.83	6.60	7.33	8.02	8.69	9.32	9.91	10.5	11.0	11.5	11.9
3800	1.36	2.29	3.19	4.05	4.88	5.68	6.43	7.16	7.84	8.49	9.09	9.65	10.2	10.6	11.1	11.5*
4000	1.12	2.07	2.97	3.84	4.67	5.46	6.21	6.92	7.58	8.19	8.76	9.29	9.76	10.2*	10.6*	10.9*
4200	0.85	1.81	2.72	3.59	4.41	5.19	5.92	6.60	7.23	7.81	8.34	8.81	9.23*	9.58*	9.88*	10.1*
4400	0.55	1.51	2.42	3.28	4.09	4.85	5.56	6.21	6.80	7.33	7.81*	8.22*	8.56*	8.84*	9.06*	9.20*
4600	0.21	1.17	2.07	2.92	3.72	4.45	5.12	5.73	6.28	6.76*	7.17*	7.51*	7.77*	7.96*	8.08*	8.11*
4800	-	0.79	1.69	2.52	3.28	3.98	4.61	5.18	5.66*	6.08*	6.41*	6.67*	6.84*	6.93*	6.93*	6.85*
5000	-	0.37	1.25	2.05	2.79	3.45	4.03	4.53*	4.95*	5.29*	5.54*	5.70*	5.77*	5.74*	5.62*	5.39*

◆ Diameter below industry standards.  
 \* Made-to-order ductile iron sheaves required.

# Horsepower Ratings For BP Belts

The combined Arc-Length correction factor shown in the Classical pre-engineered drive tables or in the Arc-of-Contact correction factor table and the Belt Length correction factor table, page B2-25, should be applied to the total hp per belt before determining the number of belts required for the drive.

NOTE: These ratings apply for the Classical type belts only.

BASIC HORSEPOWER RATING PER BELT							"ADD-ON" RATING								
SMALL SHEAVE DIAMETER							SPEED RATIO								
6.60	6.80	7.00	7.40	8.00	8.60	9.40	1.00	1.02	1.06	1.10	1.15	1.20	1.30	1.50	2.00
7.01	7.21	7.41	7.81	8.41	9.01	9.81	1.01	1.05	1.09	1.14	1.19	1.29	1.49	1.99	9.99
7.87	8.23	8.59	9.29	10.3	11.4	12.7	0.01	0.09	0.17	0.24	0.31	0.38	0.47	0.55	0.61
9.29	9.71	10.1	11.0	12.2	13.3	14.8	0.02	0.11	0.21	0.30	0.38	0.48	0.59	0.69	0.77
10.5	10.9	11.4	12.3	13.6	14.9	16.5	0.02	0.13	0.25	0.36	0.46	0.57	0.70	0.83	0.92
12.9	13.4	13.9	14.8	15.9	16.8*	17.7*	0.03	0.21	0.42	0.60	0.76	0.94	1.17	1.38	1.53
12.5	12.9*	13.2*	13.8*	14.4*	14.5*	14.1*	0.04	0.26	0.50	0.73	0.92	1.14	1.41	1.66	1.84
3.34	3.48	3.63	3.92	4.35	4.78	5.35	0.00	0.03	0.06	0.08	0.11	0.13	0.16	0.19	0.21
4.02	4.20	4.38	4.73	5.26	5.78	6.47	0.01	0.04	0.07	0.10	0.13	0.16	0.20	0.24	0.26
4.67	4.88	5.09	5.51	6.12	6.73	7.53	0.01	0.04	0.09	0.12	0.16	0.20	0.24	0.28	0.32
5.90	6.17	6.43	6.96	7.75	8.52	9.53	0.01	0.06	0.11	0.17	0.21	0.26	0.32	0.38	0.42
7.03	7.35	7.67	8.30	9.24	10.2	11.4	0.01	0.07	0.14	0.21	0.26	0.33	0.40	0.47	0.53
8.07	8.44	8.81	9.53	10.6	11.6	13.0	0.01	0.09	0.17	0.25	0.32	0.39	0.48	0.57	0.63
9.02	9.43	9.84	10.6	11.8	13.0	14.4	0.02	0.10	0.20	0.29	0.37	0.46	0.56	0.66	0.74
9.88	10.3	10.8	11.6	12.9	14.1	15.7	0.02	0.12	0.23	0.33	0.42	0.52	0.64	0.76	0.84
10.6	11.1	11.6	12.5	13.9	15.1	16.7	0.02	0.13	0.26	0.37	0.47	0.59	0.72	0.85	0.95
11.3	11.8	12.3	13.3	14.6	15.9	17.5	0.02	0.15	0.29	0.41	0.53	0.65	0.80	0.95	1.05
11.9	12.4	12.9	13.9	15.3	16.5	18.1	0.02	0.16	0.32	0.46	0.58	0.72	0.89	1.04	1.16
12.3	12.8	13.3	14.3	15.7	16.9	18.3	0.03	0.18	0.34	0.50	0.63	0.78	0.97	1.14	1.26
12.6	13.2	13.7	14.6	15.9	17.1	18.3*	0.03	0.19	0.37	0.54	0.68	0.85	1.05	1.23	1.37
12.8	13.4	13.9	14.8	16.0	17.0*	18.0*	0.03	0.21	0.40	0.58	0.74	0.91	1.13	1.33	1.47
12.9	13.4	13.9	14.7	15.8*	16.6*	17.3*	0.03	0.22	0.43	0.62	0.79	0.98	1.21	1.42	1.58
12.9	13.3	13.8	14.5	15.4*	16.0*	16.3*	0.04	0.24	0.46	0.66	0.84	1.04	1.29	1.52	1.68
12.7	13.1	13.5	14.1*	14.8*	15.1*	14.9*	0.04	0.25	0.49	0.70	0.90	1.11	1.37	1.61	1.79
12.3*	12.7*	13.0*	13.5*	13.9*	13.9*	13.1*	0.04	0.27	0.52	0.75	0.95	1.17	1.45	1.71	1.90
11.8*	12.1*	12.3*	12.7*	12.8*	12.4*	11.0*	0.04	0.28	0.55	0.79	1.00	1.24	1.53	1.80	2.00
11.1*	11.3*	11.5*	11.6*	11.3*	10.5*	-	0.05	0.29	0.57	0.83	1.05	1.30	1.61	1.90	2.11
10.3*	10.4*	10.5*	10.3*	9.64*	8.26*	-	0.05	0.31	0.60	0.87	1.11	1.37	1.69	1.99	2.21
9.27*	9.27*	9.20*	8.81*	7.63*	-	-	0.05	0.32	0.63	0.91	1.16	1.43	1.77	2.09	2.32
8.07*	7.94*	7.72*	7.03*	-	-	-	0.05	0.34	0.66	0.95	1.21	1.50	1.85	2.18	2.42
6.67*	6.39*	6.02*	4.99*	-	-	-	0.05	0.35	0.69	0.99	1.26	1.56	1.93	2.28	2.53
5.07*	4.63*	4.09*	-	-	-	-	0.06	0.37	0.72	1.04	1.32	1.63	2.01	2.37	2.63

# Horsepower Ratings For BX Belts

Classical Cog horsepower ratings per belt are listed below and on the facing page. To obtain the basic horsepower rating per belt, locate the rpm of the faster shaft in the left-hand column. Read on this line across to the column headed by the diameter of the smaller sheave. The figure given is the basic horsepower rating. For convenience the standard motor speeds are grouped at the beginning of the chart. On the same horizontal line read the “add-on” rating in the column headed by the drive speed ratio. Add the basic rating to the “add-on” rating to obtain the total horsepower rating per belt.

		BASIC HORSEPOWER RATING PER BELT															
		SMALL SHEAVE DIAMETER															
Datum		3.40	3.60	3.80	4.00	4.20	4.40	4.60	4.80	5.00	5.20	5.40	5.60	5.80	6.00	6.20	6.40
Pitch		3.81	4.01	4.21	4.41	4.61	4.81	5.01	5.21	5.41	5.61	5.81	6.01	6.21	6.41	6.61	6.81
RPM OF FASTER SHAFT	1160	2.86	3.27	3.68	4.09	4.50	4.90	5.30	5.70	6.10	6.50	6.89	7.28	7.67	8.05	8.44	8.82
	1460	3.37	3.87	4.38	4.87	5.37	5.86	6.35	6.83	7.32	7.79	8.27	8.74	9.21	9.68	10.1	10.6
	1750	3.81	4.40	4.98	5.56	6.14	6.71	7.28	7.84	8.40	8.95	9.49	10.0	10.6	11.1	11.6	12.2
	2900	5.09	5.96	6.83	7.67	8.51	9.33	10.1	10.9	11.7	12.5	13.2	13.9	14.6	15.3	16.0	16.7
	3500	5.45	6.44	7.41	8.36	9.28	10.2	11.1	11.9	12.7	13.5	14.3	15.1	15.8	16.5	17.2	17.8
	400	1.26	1.41	1.57	1.73	1.88	2.04	2.19	2.35	2.50	2.66	2.81	2.96	3.11	3.26	3.42	3.57
	500	1.50	1.70	1.89	2.08	2.27	2.46	2.65	2.84	3.03	3.22	3.40	3.59	3.78	3.96	4.15	4.33
	600	1.73	1.96	2.19	2.42	2.64	2.87	3.09	3.31	3.54	3.76	3.98	4.20	4.42	4.63	4.85	5.07
	800	2.17	2.46	2.76	3.05	3.34	3.63	3.92	4.21	4.50	4.79	5.07	5.35	5.64	5.92	6.20	6.48
	1000	2.56	2.92	3.29	3.64	4.00	4.35	4.71	5.06	5.41	5.76	6.10	6.45	6.79	7.13	7.47	7.81
	1200	2.93	3.36	3.78	4.20	4.62	5.03	5.45	5.86	6.27	6.67	7.08	7.48	7.88	8.28	8.67	9.07
	1400	3.27	3.76	4.24	4.72	5.20	5.68	6.15	6.62	7.08	7.54	8.00	8.46	8.91	9.36	9.81	10.3
	1600	3.59	4.13	4.68	5.21	5.75	6.28	6.81	7.33	7.85	8.36	8.88	9.38	9.89	10.4	10.9	11.4
	1800	3.88	4.48	5.08	5.68	6.27	6.85	7.43	8.00	8.57	9.14	9.69	10.2	10.8	11.3	11.9	12.4
	2000	4.15	4.81	5.46	6.11	6.75	7.38	8.01	8.63	9.25	9.86	10.5	11.1	11.6	12.2	12.8	13.4
	2200	4.40	5.11	5.81	6.51	7.20	7.88	8.55	9.22	9.88	10.5	11.2	11.8	12.4	13.1	13.7	14.3
	2400	4.62	5.38	6.14	6.88	7.62	8.34	9.06	9.77	10.5	11.2	11.8	12.5	13.2	13.8	14.4	15.1
	2600	4.82	5.63	6.43	7.22	8.00	8.77	9.52	10.3	11.0	11.7	12.4	13.1	13.8	14.5	15.1	15.8
	2800	5.00	5.86	6.70	7.53	8.35	9.15	9.94	10.7	11.5	12.2	13.0	13.7	14.4	15.1	15.7	16.4
	3000	5.16	6.06	6.94	7.81	8.66	9.50	10.3	11.1	11.9	12.7	13.4	14.2	14.9	15.6	16.3	16.9
	3200	5.30	6.23	7.15	8.05	8.94	9.80	10.6	11.5	12.3	13.1	13.8	14.6	15.3	16.0	16.7	17.4
	3400	5.41	6.38	7.33	8.26	9.18	10.1	10.9	11.8	12.6	13.4	14.2	14.9	15.7	16.4	17.0	17.7
	3600	5.49	6.50	7.48	8.44	9.37	10.3	11.2	12.0	12.9	13.7	14.4	15.2	15.9	16.6	17.3	17.9
	3800	5.55	6.59	7.60	8.58	9.53	10.5	11.4	12.2	13.1	13.9	14.6	15.4	16.1	16.8	17.4	18.0*
	4000	5.59	6.65	7.68	8.68	9.65	10.6	11.5	12.4	13.2	14.0	14.7	15.5	16.2	16.8*	17.4*	18.0*
	4200	5.60	6.68	7.73	8.74	9.72	10.7	11.6	12.4	13.3	14.0	14.8	15.5	16.1*	16.7*	17.3*	17.8*
	4400	5.58	6.68	7.74	8.77	9.75	10.7	11.6	12.4	13.3	14.0	14.7*	15.4*	16.0*	16.6*	17.1*	17.5*
	4600	5.53	6.65	7.72	8.75	9.74	10.7	11.6	12.4	13.2	13.9*	14.6*	15.2*	15.8*	16.3*	16.7*	17.1*
4800	5.46	6.58	7.66	8.69	9.67	10.6	11.5	12.3	13.0*	13.7*	14.4*	14.9*	15.4*	15.9*	16.2*	16.5*	
5000	5.35	6.49	7.57	8.59	9.56	10.5	11.3	12.1*	12.8*	13.5*	14.0*	14.5*	15.0*	15.3*	15.6*	15.8*	

\* Made-to-order ductile iron sheaves required.

# Horsepower Ratings For BX Belts

The combined Arc-Length correction factor shown in the Classical pre-engineered drive tables or in the Arc-of-Contact correction factor table and the Belt Length correction factor table, page B2–25, should be applied to the total hp per belt before determining the number of belts required for the drive.

NOTE: These ratings apply for the Classical Cog type belts only.

BASIC HORSEPOWER RATING PER BELT							"ADD-ON" RATING								
SMALL SHEAVE DIAMETER							SPEED RATIO								
6.60	6.80	7.00	7.40	8.00	8.60	9.40	1.00	1.02	1.06	1.10	1.15	1.20	1.30	1.50	2.00
7.01	7.21	7.41	7.81	8.41	9.01	9.81	1.01	1.05	1.09	1.14	1.19	1.29	1.49	1.99	9.99
9.20	9.58	9.96	10.7	11.8	12.9	14.3	0.01	0.09	0.18	0.26	0.33	0.40	0.49	0.56	0.61
11.1	11.5	12.0	12.8	14.1	15.4	17.1	0.02	0.12	0.23	0.32	0.41	0.50	0.61	0.71	0.77
12.7	13.2	13.7	14.7	16.2	17.6	19.4	0.02	0.14	0.27	0.39	0.49	0.60	0.73	0.85	0.92
17.3	17.9	18.6	19.7	21.3	22.7*	24.2*	0.04	0.23	0.45	0.65	0.81	1.00	1.21	1.40	1.52
18.4	19.0*	19.5*	20.5*	21.8*	22.7*	23.4*	0.04	0.28	0.54	0.78	0.98	1.20	1.47	1.69	1.84
3.72	3.87	4.01	4.31	4.76	5.20	5.78	0.00	0.03	0.06	0.09	0.11	0.14	0.17	0.19	0.21
4.51	4.70	4.88	5.24	5.78	6.32	7.03	0.01	0.04	0.08	0.11	0.14	0.17	0.21	0.24	0.26
5.28	5.50	5.71	6.14	6.78	7.41	8.24	0.01	0.05	0.09	0.13	0.17	0.21	0.25	0.29	0.32
6.76	7.03	7.31	7.86	8.67	9.48	10.5	0.01	0.06	0.12	0.18	0.22	0.28	0.33	0.39	0.42
8.15	8.48	8.81	9.48	10.5	11.4	12.7	0.01	0.08	0.16	0.22	0.28	0.34	0.42	0.48	0.53
9.46	9.85	10.2	11.0	12.1	13.2	14.7	0.01	0.10	0.19	0.27	0.34	0.41	0.50	0.58	0.63
10.7	11.1	11.6	12.4	13.7	14.9	16.5	0.02	0.11	0.22	0.31	0.39	0.48	0.59	0.68	0.74
11.9	12.3	12.8	13.8	15.2	16.5	18.2	0.02	0.13	0.25	0.36	0.45	0.55	0.67	0.77	0.84
12.9	13.5	14.0	15.0	16.5	17.9	19.7	0.02	0.14	0.28	0.40	0.51	0.62	0.75	0.87	0.95
13.9	14.5	15.0	16.1	17.7	19.2	21.1	0.02	0.16	0.31	0.44	0.56	0.69	0.84	0.97	1.05
14.9	15.4	16.0	17.1	18.8	20.3	22.2	0.03	0.18	0.34	0.49	0.62	0.76	0.92	1.07	1.16
15.7	16.3	16.9	18.0	19.7	21.2	23.1	0.03	0.19	0.37	0.53	0.67	0.83	1.00	1.16	1.26
16.4	17.0	17.6	18.8	20.4	21.9	23.7*	0.03	0.21	0.40	0.58	0.73	0.89	1.09	1.26	1.37
17.0	17.7	18.3	19.4	21.1	22.5*	24.1*	0.03	0.22	0.43	0.62	0.79	0.96	1.17	1.36	1.47
17.6	18.2	18.8	19.9	21.5*	22.8*	24.3*	0.04	0.24	0.47	0.67	0.84	1.03	1.26	1.45	1.58
18.0	18.6	19.2	20.3	21.7*	22.9*	24.1*	0.04	0.26	0.50	0.71	0.90	1.10	1.34	1.55	1.68
18.3	18.9	19.5	20.5*	21.8*	22.8*	23.7*	0.04	0.27	0.53	0.76	0.95	1.17	1.42	1.65	1.79
18.5*	19.0*	19.6*	20.5*	21.7*	22.5*	23.0*	0.04	0.29	0.56	0.80	1.01	1.24	1.51	1.74	1.89
18.5*	19.1*	19.5*	20.4*	21.3*	21.9*	21.9*	0.05	0.30	0.59	0.85	1.07	1.31	1.59	1.84	2.00
18.5*	18.9*	19.4*	20.1*	20.8*	21.0*	-	0.05	0.32	0.62	0.89	1.12	1.38	1.67	1.94	2.10
18.3*	18.7*	19.0*	19.6*	20.0*	19.8*	-	0.05	0.34	0.65	0.93	1.18	1.44	1.76	2.03	2.21
17.9*	18.2*	18.5*	18.9*	18.9*	-	-	0.05	0.35	0.68	0.98	1.23	1.51	1.84	2.13	2.31
17.4*	17.6*	17.8*	18.0*	-	-	-	0.06	0.37	0.71	1.02	1.29	1.58	1.93	2.23	2.42
16.7*	16.9*	17.0*	16.9*	-	-	-	0.06	0.38	0.74	1.07	1.35	1.65	2.01	2.32	2.52
15.9*	16.0*	15.9*	-	-	-	-	0.06	0.40	0.78	1.11	1.40	1.72	2.09	2.42	2.63

# Horsepower Ratings For CP Belts

Classical horsepower ratings per belt are listed below and on the facing page. To obtain the basic horsepower rating per belt, locate the rpm of the faster shaft in the left-hand column. Read on this line across to the column headed by the diameter of the smaller sheave. The figure given is the basic horsepower rating. For convenience the standard motor speeds are grouped at the beginning of the chart. On the same horizontal line read the “add-on” rating in the column headed by the drive speed ratio. Add the basic rating to the “add-on” rating to obtain the total horsepower rating per belt.

		BASIC HORSEPOWER RATING PER BELT									
		SMALL SHEAVE OUTSIDE DIAMETER									
		7.00	7.50	8.00	8.50	9.00	9.50	10.00	10.50	11.00	12.00
Datum	7.40	7.90	8.40	8.90	9.40	9.90	10.40	10.90	11.40	12.40	
Pitch	◆	◆	◆	◆							
870	7.98	9.16	10.3	11.5	12.6	13.7	14.9	15.9	17.0	19.1	
960	8.55	9.83	11.1	12.3	13.6	14.8	16.0	17.1	18.3	20.5	
1160	9.69	11.2	12.6	14.1	15.5	16.8	18.2	19.5	20.8	23.3	
1460	11.1	12.8	14.5	16.2	17.8	19.3	20.8	22.3	23.7	26.3	
1750	12.1	14.0	15.8	17.6	19.3	20.9	22.5	24.0	25.3	27.9	
200	2.51	2.84	3.16	3.48	3.80	4.12	4.43	4.75	5.06	5.68	
300	3.50	3.97	4.44	4.90	5.36	5.81	6.27	6.72	7.17	8.06	
400	4.41	5.02	5.62	6.22	6.81	7.40	7.99	8.57	9.15	10.3	
500	5.26	6.00	6.73	7.46	8.18	8.89	9.60	10.3	11.0	12.4	
600	6.06	6.92	7.78	8.63	9.47	10.3	11.1	12.0	12.8	14.4	
700	6.81	7.79	8.77	9.74	10.7	11.6	12.6	13.5	14.4	16.2	
800	7.51	8.61	9.70	10.8	11.8	12.9	13.9	15.0	16.0	18.0	
900	8.17	9.38	10.6	11.8	12.9	14.1	15.2	16.4	17.5	19.6	
1000	8.79	10.1	11.4	12.7	14.0	15.2	16.4	17.6	18.8	21.1	
1100	9.37	10.8	12.2	13.6	14.9	16.2	17.5	18.8	20.1	22.5	
1200	9.90	11.4	12.9	14.4	15.8	17.2	18.6	19.9	21.2	23.8	
1300	10.4	12.0	13.6	15.1	16.6	18.1	19.5	20.9	22.3	24.9	
1400	10.8	12.5	14.2	15.8	17.3	18.9	20.3	21.8	23.2	25.8	
1500	11.3	13.0	14.7	16.4	18.0	19.6	21.1	22.6	24.0	26.6	
1600	11.6	13.4	15.2	16.9	18.6	20.2	21.7	23.2	24.6	27.2	
1700	11.9	13.8	15.7	17.4	19.1	20.7	22.3	23.7	25.1	27.7	
1800	12.2	14.2	16.0	17.8	19.5	21.1	22.7	24.1	25.5	28.0	
1900	12.4	14.4	16.3	18.1	19.8	21.5	23.0	24.4	25.7	28.1	
2000	12.6	14.6	16.6	18.4	20.1	21.7	23.2	24.6	25.8	28.0	
2200	12.8	14.9	16.8	18.6	20.3	21.8	23.2	24.4	25.5*	27.1*	
2400	12.8	14.9	16.8	18.5	20.1	21.4	22.6	23.6*	24.5*	25.4*	
2600	12.6	14.6	16.4	18.0	19.4	20.6*	21.5*	22.2*	22.7*	22.8*	
2800	12.1	14.0	15.7	17.1	18.3*	19.2*	19.8*	20.1*	20.1*	19.1*	
3000	11.4	13.1	14.6*	15.8*	16.7*	17.2*	17.4*	17.2*	16.6*	14.3*	
3200	10.4	12.0*	13.2*	14.1*	14.5*	14.6*	14.3*	13.5*	12.3*	-	

- ◆ Diameter below industry standards.
- \* Made-to-order ductile iron sheaves required.

# Horsepower Ratings For CP Belts

The combined Arc-Length correction factor shown in the Classical pre-engineered drive tables or in the Arc-of-Contact correction factor table and the Belt Length correction factor table, page B2-25, should be applied to the total hp per belt before determining the number of belts required for the drive.

NOTE: These ratings apply for the Classical type belts only.

BASIC HORSEPOWER RATING PER BELT						"ADD-ON" RATING								
SMALL SHEAVE DIAMETER						SPEED RATIO								
13.00	14.00	16.00	18.00	20.00	24.00	1.00	1.02	1.06	1.10	1.15	1.20	1.30	1.50	2.00
13.40	14.40	16.40	18.40	20.40	24.40	1.01	1.05	1.09	1.14	1.19	1.29	1.49	1.99	9.99
21.2	23.2	27.0	30.5	33.8	39.3	0.02	0.15	0.29	0.42	0.53	0.66	0.82	0.96	1.07
22.7	24.8	28.8	32.4	35.6	40.8	0.03	0.17	0.32	0.46	0.59	0.73	0.90	1.06	1.18
25.6	27.9	32.0	35.5	38.3	41.9*	0.03	0.20	0.39	0.56	0.71	0.88	1.09	1.28	1.42
28.7	30.9	34.5	37.0*	38.3*	36.8*	0.04	0.25	0.49	0.71	0.90	1.11	1.37	1.61	1.79
30.0	31.8*	34.0*	34.4*	32.8*	-	0.05	0.30	0.59	0.85	1.07	1.33	1.64	1.94	2.15
6.30	6.91	8.12	9.31	10.5	12.8	0.01	0.03	0.07	0.10	0.12	0.15	0.19	0.22	0.25
8.95	9.82	11.5	13.2	14.9	18.2	0.01	0.05	0.10	0.14	0.18	0.23	0.28	0.33	0.37
11.4	12.5	14.8	16.9	19.0	23.1	0.01	0.07	0.13	0.19	0.25	0.30	0.38	0.44	0.49
13.8	15.1	17.7	20.3	22.8	27.5	0.01	0.09	0.17	0.24	0.31	0.38	0.47	0.55	0.61
16.0	17.5	20.5	23.5	26.2	31.5	0.02	0.10	0.20	0.29	0.37	0.46	0.56	0.66	0.74
18.0	19.8	23.1	26.3	29.4	34.9	0.02	0.12	0.23	0.34	0.43	0.53	0.66	0.77	0.86
19.9	21.8	25.5	28.9	32.1	37.7	0.02	0.14	0.27	0.39	0.49	0.61	0.75	0.88	0.98
21.7	23.8	27.6	31.2	34.4	39.9	0.02	0.15	0.30	0.43	0.55	0.68	0.84	1.00	1.10
23.4	25.5	29.5	33.1	36.3	41.3	0.03	0.17	0.33	0.48	0.61	0.76	0.94	1.11	1.23
24.8	27.0	31.1	34.7	37.7	41.9*	0.03	0.19	0.37	0.53	0.68	0.84	1.03	1.22	1.35
26.1	28.4	32.5	35.9	38.6	41.8*	0.03	0.21	0.40	0.58	0.74	0.91	1.13	1.33	1.47
27.3	29.5	33.5	36.7	39.0*	40.7*	0.03	0.22	0.44	0.63	0.80	0.99	1.22	1.44	1.60
28.2	30.5	34.2	37.0*	38.8*	38.6*	0.04	0.24	0.47	0.68	0.86	1.06	1.31	1.55	1.72
29.0	31.2	34.6	36.9*	37.9*	35.5*	0.04	0.26	0.50	0.72	0.92	1.14	1.41	1.66	1.84
29.6	31.6	34.7*	36.3*	36.4*	-	0.04	0.28	0.54	0.77	0.98	1.22	1.50	1.77	1.96
29.9	31.8	34.3*	35.2*	34.2*	-	0.04	0.29	0.57	0.82	1.04	1.29	1.60	1.88	2.09
30.0	31.7*	33.6*	33.5*	31.2*	-	0.05	0.31	0.60	0.87	1.10	1.37	1.69	1.99	2.21
29.9*	31.3*	32.5*	31.3*	-	-	0.05	0.33	0.64	0.92	1.17	1.44	1.78	2.10	2.33
29.6*	30.6*	30.9*	28.4*	-	-	0.05	0.34	0.67	0.97	1.23	1.52	1.88	2.21	2.46
28.1*	28.3*	26.3*	-	-	-	0.06	0.38	0.74	1.06	1.35	1.67	2.06	2.43	2.70
25.5*	24.7*	-	-	-	-	0.06	0.41	0.80	1.16	1.47	1.82	2.25	2.65	2.95
21.8*	19.5*	-	-	-	-	0.07	0.45	0.87	1.26	1.60	1.98	2.44	2.88	3.19
16.7*	-	-	-	-	-	0.07	0.48	0.94	1.35	1.72	2.13	2.63	3.10	3.44
-	-	-	-	-	-	0.08	0.52	1.00	1.45	1.84	2.28	2.81	3.32	3.68
-	-	-	-	-	-	0.08	0.55	1.07	1.55	1.96	2.43	3.00	3.54	3.93

# Horsepower Ratings For CX Belts

Classical Cog horsepower ratings per belt are listed below and on the facing page. To obtain the basic horsepower rating per belt, locate the rpm of the faster shaft in the left-hand column. Read on this line across to the column headed by the diameter of the smaller sheave. The figure given is the basic horsepower rating. For convenience the standard motor speeds are grouped at the beginning of the chart. On the same horizontal line read the “add-on” rating in the column headed by the drive speed ratio. Add the basic rating to the “add-on” rating to obtain the total horsepower rating per belt.

Datum	BASIC HORSEPOWER RATING PER BELT									
	SMALL SHEAVE DIAMETER									
	7.00	7.50	8.00	8.50	9.00	9.50	10.00	10.50	11.00	12.00
Pitch	7.40	7.90	8.40	8.90	9.40	9.90	10.40	10.90	11.40	12.40
870	10.2	11.4	12.6	13.7	14.9	16.1	17.2	18.3	19.5	21.7
960	11.0	12.3	13.6	14.9	16.1	17.4	18.6	19.8	21.0	23.4
1160	12.7	14.2	15.7	17.2	18.6	20.1	21.5	22.9	24.2	26.9
1460	15.0	16.8	18.5	20.3	22.0	23.6	25.2	26.8	28.3	31.2
1750	16.9	18.9	20.9	22.8	24.6	26.4	28.1	29.8	31.4	34.3
200	2.97	3.29	3.62	3.94	4.26	4.58	4.90	5.22	5.53	6.16
300	4.20	4.67	5.14	5.61	6.07	6.53	6.99	7.45	7.90	8.80
400	5.36	5.97	6.58	7.18	7.78	8.38	8.97	9.56	10.1	11.3
500	6.46	7.21	7.95	8.69	9.42	10.1	10.9	11.6	12.3	13.7
600	7.52	8.39	9.26	10.1	11.0	11.8	12.7	13.5	14.3	16.0
700	8.53	9.53	10.5	11.5	12.5	13.5	14.4	15.4	16.3	18.2
800	9.50	10.6	11.7	12.8	13.9	15.0	16.1	17.1	18.2	20.3
900	10.4	11.7	12.9	14.1	15.3	16.5	17.7	18.8	20.0	22.2
1000	11.3	12.7	14.0	15.3	16.6	17.9	19.2	20.5	21.7	24.1
1100	12.2	13.6	15.1	16.5	17.9	19.3	20.6	22.0	23.3	25.9
1200	13.0	14.6	16.1	17.6	19.1	20.6	22.0	23.4	24.8	27.5
1300	13.8	15.4	17.1	18.7	20.3	21.8	23.3	24.8	26.3	29.1
1400	14.5	16.3	18.0	19.7	21.3	23.0	24.5	26.1	27.6	30.5
1500	15.2	17.1	18.9	20.6	22.4	24.0	25.7	27.3	28.8	31.7
1600	15.9	17.8	19.7	21.5	23.3	25.0	26.7	28.3	29.9	32.9
1700	16.6	18.5	20.5	22.4	24.2	26.0	27.7	29.3	30.9	33.9
1800	17.2	19.2	21.2	23.1	25.0	26.8	28.5	30.2	31.8	34.7
1900	17.7	19.8	21.9	23.9	25.8	27.6	29.3	31.0	32.5	35.4
2000	18.2	20.4	22.5	24.5	26.4	28.2	30.0	31.6	33.2	36.0
2200	19.1	21.4	23.5	25.6	27.5	29.3	31.0	32.6	34.0*	36.5*
2400	19.9	22.2	24.3	26.4	28.3	30.0	31.6	33.0*	34.3*	36.3*
2600	20.4	22.7	24.9	26.8	28.6	30.3*	31.7*	33.0*	34.0*	35.4*
2800	20.7	23.0	25.1	27.0	28.7*	30.1*	31.3*	32.3*	33.0*	33.6*
3000	20.9	23.1	25.1*	26.8*	28.3*	29.5*	30.4*	31.0*	31.3*	30.9*
3200	20.8	22.9*	24.7*	26.2*	27.4*	28.3*	28.9*	29.1*	28.9*	-

\* Made-to-order ductile iron sheaves required.



# Horsepower Ratings For CX Belts

The combined Arc-Length correction factor shown in the Classical pre-engineered drive tables or in the Arc-of-Contact correction factor table and the Belt Length correction factor table, page B2-25, should be applied to the total hp per belt before determining the number of belts required for the drive.

NOTE: These ratings apply for the Classical Cog type belts only.

BASIC HORSEPOWER RATING PER BELT						"ADD-ON" RATING								
SMALL SHEAVE DIAMETER						SPEED RATIO								
13.00	14.00	16.00	18.00	20.00	24.00	1.00	1.02	1.06	1.10	1.15	1.20	1.30	1.50	2.00
13.40	14.40	16.40	18.40	20.40	24.40	1.01	1.05	1.09	1.14	1.19	1.29	1.49	1.99	9.99
23.8	25.9	29.9	33.7	37.3	43.6	0.02	0.16	0.31	0.44	0.55	0.68	0.83	0.96	1.04
25.7	27.9	32.1	36.1	39.7	46.0	0.03	0.17	0.34	0.49	0.61	0.75	0.91	1.06	1.15
29.4	31.9	36.4	40.5	44.0	49.3*	0.03	0.21	0.41	0.59	0.74	0.91	1.10	1.28	1.39
34.0	36.5	41.0	44.5*	47.1*	48.9*	0.04	0.27	0.51	0.74	0.93	1.14	1.39	1.61	1.74
37.0	39.3*	43.0*	45.1*	45.5*	-	0.05	0.32	0.62	0.88	1.12	1.37	1.66	1.92	2.09
6.78	7.40	8.62	9.82	11.0	13.4	0.01	0.04	0.07	0.10	0.13	0.16	0.19	0.22	0.24
9.70	10.6	12.3	14.1	15.8	19.1	0.01	0.05	0.11	0.15	0.19	0.23	0.29	0.33	0.36
12.5	13.6	15.9	18.1	20.2	24.4	0.01	0.07	0.14	0.20	0.26	0.31	0.38	0.44	0.48
15.1	16.5	19.2	21.8	24.4	29.3	0.01	0.09	0.18	0.25	0.32	0.39	0.48	0.55	0.60
17.6	19.2	22.3	25.4	28.3	33.8	0.02	0.11	0.21	0.30	0.38	0.47	0.57	0.66	0.72
20.0	21.8	25.3	28.7	31.9	37.9	0.02	0.13	0.25	0.35	0.45	0.55	0.67	0.77	0.84
22.3	24.3	28.1	31.7	35.2	41.4	0.02	0.15	0.28	0.40	0.51	0.63	0.76	0.88	0.96
24.4	26.6	30.7	34.5	38.1	44.4	0.03	0.16	0.32	0.45	0.57	0.70	0.86	0.99	1.07
26.5	28.7	33.1	37.1	40.7	46.8	0.03	0.18	0.35	0.51	0.64	0.78	0.95	1.10	1.19
28.4	30.7	35.2	39.3	42.9	48.6*	0.03	0.20	0.39	0.56	0.70	0.86	1.05	1.21	1.31
30.1	32.6	37.2	41.2	44.7	49.7*	0.03	0.22	0.42	0.61	0.77	0.94	1.14	1.32	1.43
31.7	34.2	38.8	42.8	46.0*	50.0*	0.04	0.24	0.46	0.66	0.83	1.02	1.24	1.43	1.55
33.2	35.7	40.3	44.0*	46.8*	49.5*	0.04	0.25	0.49	0.71	0.89	1.09	1.33	1.54	1.67
34.5	37.0	41.4	44.8*	47.2*	48.2*	0.04	0.27	0.53	0.76	0.96	1.17	1.43	1.65	1.79
35.6	38.1	42.3*	45.2*	46.9*	-	0.05	0.29	0.56	0.81	1.02	1.25	1.52	1.76	1.91
36.6	39.0	42.8*	45.2*	46.2*	-	0.05	0.31	0.60	0.86	1.08	1.33	1.62	1.87	2.03
37.3	39.6*	43.0*	44.8*	44.8*	-	0.05	0.33	0.63	0.91	1.15	1.41	1.71	1.98	2.15
37.9*	40.0*	42.9*	43.9*	-	-	0.05	0.35	0.67	0.96	1.21	1.49	1.81	2.09	2.27
38.3*	40.2*	42.4*	42.5*	-	-	0.06	0.36	0.71	1.01	1.28	1.56	1.90	2.20	2.39
38.4*	39.7*	40.3*	-	-	-	0.06	0.40	0.78	1.11	1.40	1.72	2.09	2.42	2.63
37.6*	38.2*	-	-	-	-	0.07	0.44	0.85	1.21	1.53	1.88	2.28	2.64	2.87
35.9*	35.4*	-	-	-	-	0.07	0.47	0.92	1.31	1.66	2.03	2.47	2.86	3.10
33.1*	-	-	-	-	-	0.08	0.51	0.99	1.42	1.79	2.19	2.66	3.08	3.34
-	-	-	-	-	-	0.08	0.55	1.06	1.52	1.91	2.34	2.85	3.30	3.58
-	-	-	-	-	-	0.09	0.58	1.13	1.62	2.04	2.50	3.04	3.52	3.82

# Horsepower Ratings For DP & DX Belts

Classical horsepower ratings per belt are listed below and on the facing page. To obtain the basic horsepower rating per belt, locate the rpm of the faster shaft in the left-hand column. Read on this line across to the column headed by the diameter of the smaller sheave. The figure given is the basic horsepower rating. For convenience the standard motor speeds are grouped at the beginning of the chart. On the same horizontal line read the "add-on" rating in the column headed by the drive speed ratio. Add the basic rating to the "add-on" rating to obtain the total horsepower rating per belt.

Datum	SMALL SHEAVE DIAMETER									
	12.00	13.00	13.50	14.00	14.50	15.00	15.50	16.00	17.00	18.00
Pitch	12.60 ◆	13.60	14.10	14.60	15.10	15.60	16.10	16.60	17.60	18.60
870	24.6	28.4	30.3	32.1	33.9	35.7	37.4	39.2	42.5	45.7
960	26.0	30.0	32.0	33.9	35.8	37.7	39.5	41.3	44.7	47.9
1160	28.4	32.8	34.9	37.0	38.9	40.8	42.7	44.5	47.8	50.8
1460	30.0	34.4	36.5	38.4	40.2	41.9	43.4	44.8	47.3*	49.2*
1750	28.8	32.6	34.2	35.7*	36.9*	37.9*	38.8*	39.4*	39.9*	39.5*
200	8.01	9.16	9.73	10.3	10.9	11.4	12.0	12.6	13.7	14.8
250	9.63	11.0	11.7	12.4	13.1	13.8	14.5	15.2	16.5	17.9
300	11.2	12.8	13.6	14.5	15.3	16.1	16.9	17.7	19.3	20.8
350	12.7	14.5	15.5	16.4	17.3	18.3	19.2	20.1	21.9	23.7
400	14.1	16.2	17.2	18.3	19.3	20.3	21.4	22.4	24.4	26.4
450	15.4	17.8	18.9	20.1	21.2	22.3	23.5	24.6	26.8	29.0
500	16.7	19.3	20.5	21.8	23.0	24.3	25.5	26.7	29.1	31.5
600	19.1	22.1	23.5	25.0	26.4	27.8	29.2	30.6	33.4	36.1
700	21.3	24.6	26.3	27.9	29.5	31.1	32.6	34.2	37.2	40.1
800	23.3	26.9	28.7	30.5	32.2	33.9	35.6	37.3	40.5	43.6
900	25.1	29.0	30.9	32.7	34.6	36.4	38.2	39.9	43.3	46.5
1000	26.6	30.7	32.7	34.7	36.6	38.5	40.3	42.1	45.5	48.7
1100	27.8	32.1	34.2	36.2	38.2	40.1	41.9	43.7	47.1	50.3
1200	28.8	33.2	35.3	37.4	39.3	41.2	43.1	44.8	48.1	51.1
1300	29.5	34.0	36.1	38.1	40.1	41.9	43.7	45.3	48.4	51.0
1400	29.9	34.4	36.4	38.4	40.3	42.1	43.7	45.2	47.9	50.2*
1500	30.0	34.4	36.4	38.3	40.0	41.6	43.1	44.5	46.7*	48.4*
1600	29.8	34.0	35.9	37.6	39.2	40.6	41.9*	43.0*	44.6*	45.6*
1700	29.2	33.2	34.9	36.4	37.8*	39.0*	40.0*	40.8*	41.7*	41.8*
1800	28.3	31.9	33.4*	34.7*	35.8*	36.7*	37.3*	37.8*	37.8*	36.9*

◆ Diameter below industry standards.  
\* Made-to-order ductile iron sheaves required.

# Horsepower Ratings For DP & DX Belts

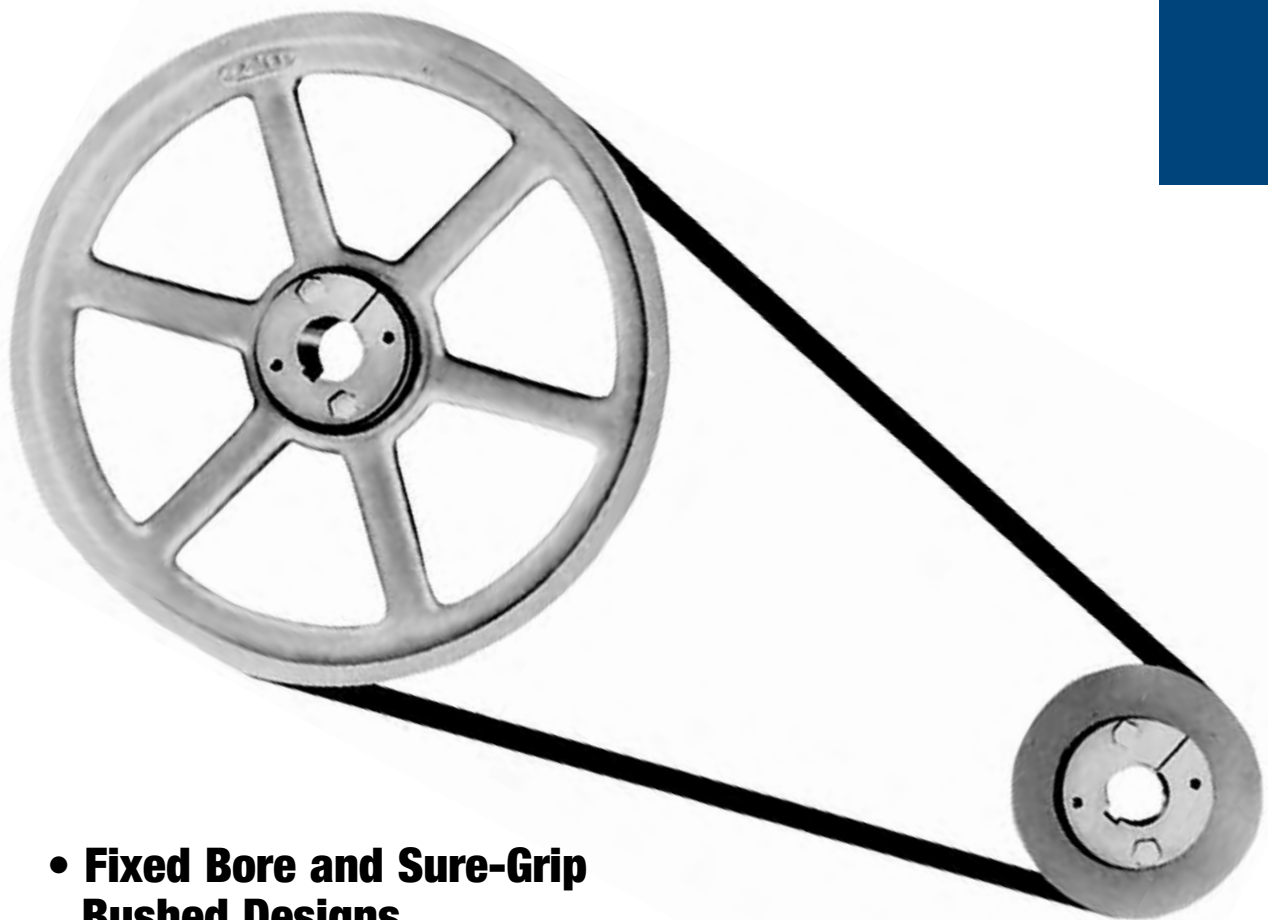
The combined Arc-Length correction factor shown in the Classical pre-engineered drive tables or in the Arc-of-Contact correction factor table and the Belt Length correction factor table, page B2-25, should be applied to the total hp per belt before determining the number of belts required for the drive.

BASIC HORSEPOWER RATING PER BELT					"ADD-ON" RATING								
SMALL SHEAVE DIAMETER					SPEED RATIO								
20.00	22.00	24.00	27.00	33.00	1.00	1.02	1.06	1.10	1.15	1.20	1.30	1.50	2.00
20.60	22.60	24.60	27.80	33.60	1.01	1.05	1.09	1.14	1.19	1.29	1.49	1.99	9.99
51.7	57.1	61.8	67.6	74.1*	0.08	0.55	1.07	1.54	1.96	2.43	3.00	3.54	3.92
53.9	59.0	63.3	68.1*	70.7*	0.09	0.61	1.18	1.70	2.17	2.68	3.31	3.90	4.33
56.0	59.8*	62.2*	62.9*	-	0.11	0.73	1.43	2.06	2.62	3.24	4.00	4.72	5.23
51.2*	50.6*	47.3*	-	-	0.14	0.92	1.80	2.59	3.29	4.08	5.03	5.93	6.59
35.7*	-	-	-	-	0.17	1.11	2.15	3.11	3.95	4.89	6.03	7.11	7.89
17.0	19.1	21.3	24.5	30.7	0.02	0.13	0.25	0.36	0.45	0.56	0.69	0.81	0.90
20.6	23.2	25.8	29.6	37.0	0.02	0.16	0.31	0.44	0.56	0.70	0.86	1.02	1.13
24.0	27.0	30.0	34.5	43.0	0.03	0.19	0.37	0.53	0.68	0.84	1.03	1.22	1.35
27.2	30.7	34.1	39.1	48.5	0.03	0.22	0.43	0.62	0.79	0.98	1.21	1.42	1.58
30.3	34.2	37.9	43.4	53.7	0.04	0.25	0.49	0.71	0.90	1.12	1.38	1.63	1.80
33.3	37.5	41.6	47.4	58.3	0.04	0.28	0.55	0.80	1.02	1.26	1.55	1.83	2.03
36.1	40.6	45.0	51.2	62.5	0.05	0.32	0.62	0.89	1.13	1.40	1.72	2.03	2.26
41.3	46.3	51.0	57.7	69.1	0.06	0.38	0.74	1.07	1.35	1.68	2.07	2.44	2.71
45.8	51.1	56.0	62.8	73.4	0.07	0.44	0.86	1.24	1.58	1.95	2.41	2.85	3.16
49.5	55.0	59.9	66.2	74.8*	0.08	0.51	0.98	1.42	1.80	2.23	2.76	3.25	3.61
52.5	57.8	62.4	68.0	73.3*	0.09	0.57	1.11	1.60	2.03	2.51	3.10	3.66	4.06
54.6	59.6	63.6	67.8*	68.3*	0.10	0.63	1.23	1.78	2.26	2.79	3.45	4.06	4.51
55.8	60.1	63.2*	65.4*	59.6*	0.11	0.69	1.35	1.95	2.48	3.07	3.79	4.47	4.96
56.0	59.4*	61.2*	60.8*	-	0.12	0.76	1.48	2.13	2.71	3.35	4.14	4.88	5.41
55.1*	57.2*	57.4*	53.6*	-	0.13	0.82	1.60	2.31	2.93	3.63	4.48	5.28	5.86
53.0*	53.6*	51.7*	-	-	0.14	0.88	1.72	2.49	3.16	3.91	4.83	5.69	6.32
49.7*	48.3*	43.9*	-	-	0.15	0.95	1.85	2.66	3.38	4.19	5.17	6.10	6.77
45.1*	41.4*	-	-	-	0.16	1.01	1.97	2.84	3.61	4.47	5.52	6.50	7.22
39.2*	-	-	-	-	0.17	1.07	2.09	3.02	3.83	4.75	5.86	6.91	7.67
31.8*	-	-	-	-	0.17	1.14	2.21	3.20	4.06	5.03	6.21	7.32	8.12



# Light-Duty (FHP) V-Belt Drives

**B3**



- **Fixed Bore and Sure-Grip Bushed Designs**
- **Cast Iron Sheaves**
- **Light-Duty V-Belts**

# Light-Duty (FHP) Sheaves

## Dimensions

- CAPACITIES TO 15 HP
- BORE SIZES FROM 1/2 TO 1-1/2 INCHES
- EASY-MOUNT SURE-GRIP QUICK-DETACHABLE BUSHINGS
- EFFICIENT, ECONOMICAL, LIGHTWEIGHT



Light-duty sheaves are available in two types, both with one and two grooves. “A” sheaves are made to accommodate A (4L) belts; “B” sheaves are made for A (4L) or B (5L) belts. The two lines of sheaves have identical pitch diameters when using A or 4L belts.

Wood’s light-duty sheaves can be equipped with Wood’s “QT” Sure-Grip QD-type bushings. This quick-detachable tapered bushing is split through flange and tapered surface to provide a true clamp that is comparable to a shrink fit.

Sure-Grip bushings are easy to install and remove. The flange has two drilled and two tapped holes for easy assembly with two capscrews. Bore range is 1/2 through 1-1/2 in.

### QT BUSHED SHEAVES FOR “A” BELTS

DATUM DIA.		O.D. ◆	Product No.	Single-Groove							Product No.	Two-Groove						
3L (O)	4L (A)			Type	DIMENSIONS				Wt. Lbs.	Type		DIMENSIONS				Wt. Lbs.		
					E	F	L	M				E	F	L	M			
2.46	2.80	3.05	AK30	E1	3/8	3/4	1-1/4	7/8	1.7	2AK30	E1	1	1-3/8	1-1/4	7/8	2.0		
2.66	3.00	3.25	AK32	E1	3/8	3/4	1-1/4	7/8	1.8	2AK32	E1	1	1-3/8	1-1/4	7/8	2.3		
2.86	3.20	3.45	AK34	E1	1/16	3/4	1-1/4	9/16	1.8	2AK34	E1	9/16	1-3/8	1-1/4	7/16	2.4		
3.16	3.50	3.75	AK39	E1	1/16	3/4	1-1/4	9/16	2.0	2AK39	E1	9/16	1-3/8	1-1/4	7/16	2.4		
3.36	3.70	3.95	AK41	E1	1/16	3/4	1-1/4	9/16	2.2	2AK41	A2	1/16	1-3/8	1-1/4	1/16	2.5		
3.66	4.00	4.25	AK44	E1	1/16	3/4	1-1/4	9/16	2.5	2AK44	A2	1/16	1-3/8	1-1/4	1/16	3.0		
3.86	4.20	4.45	AK46	C2	1/16	3/4	1-1/4	9/16	2.5	2AK46	A2	1/16	1-3/8	1-1/4	1/16	3.1		
4.16	4.50	4.75	AK49	C2	1/16	3/4	1-1/4	9/16	2.7	2AK49	A2	1/16	1-3/8	1-1/4	1/16	3.7		
4.36	4.70	7.95	AK51	C2	1/16	3/4	1-1/4	9/16	2.9	2AK51	A2	1/16	1-3/8	1-1/4	1/16	3.8		
4.66	5.00	5.25	AK54	C2	1/16	3/4	1-1/4	9/16	2.6	2AK54	A2	1/16	1-3/8	1-1/4	1/16	4.0		
4.86	5.20	5.45	AK56	C2	1/16	3/4	1-1/4	9/16	2.9	2AK56	A2	1/16	1-3/8	1-1/4	1/16	4.2		
5.16	5.50	5.75	AK59	C2	1/16	3/4	1-1/4	9/16	3.0	2AK59	D3	1/16	1-3/8	1-1/4	1/16	4.0		
5.36	5.70	5.95	AK61	D3	1/16	3/4	1-1/4	9/16	3.1	2AK61	D3	1/16	1-3/8	1-1/4	1/16	3.9		
5.66	6.00	6.25	AK64	D3	1/16	3/4	1-1/4	9/16	3.3	2AK64	D3	1/16	1-3/8	1-1/4	1/16	4.5		
5.86	6.20	6.45	AK66	D3	1/16	3/4	1-1/4	9/16	3.4	-	-	-	-	-	-	-		
6.16	6.50	6.75	AK69	D3	1/16	3/4	1-1/4	9/16	3.8	-	-	-	-	-	-	-		
6.36	6.70	6.95	AK71	D3	1/16	3/4	1-1/4	9/16	3.7	-	-	-	-	-	-	-		
6.66	7.00	7.25	AK74	D3	1/16	3/4	1-1/4	9/16	3.9	2AK74	D3	1/16	1-3/8	1-1/4	1/16	5.5		
7.16	7.50	7.75	AK79	D3	1/16	3/4	1-1/4	9/16	4.1	-	-	-	-	-	-	-		
7.66	8.00	8.25	AK84	D3	1/16	3/4	1-1/4	9/16	4.2	2AK84	D3	1/16	1-3/8	1-1/4	1/16	5.4		
8.16	8.50	8.75	AK89	D3	1/16	3/4	1-1/4	9/16	4.6	-	-	-	-	-	-	-		
8.66	9.00	9.25	AK94	D3	1/16	3/4	1-1/4	9/16	5.0	2AK94	D3	1/16	1-3/8	1-1/4	1/16	6.7		
9.16	9.50	9.75	AK99	D3	1/16	3/4	1-1/4	9/16	5.3	-	-	-	-	-	-	-		
9.66	10.00	10.25	AK104	D3	1/16	3/4	1-1/4	9/16	5.1	2AK104	D3	1/16	1-3/8	1-1/4	1/16	8.3		
10.16	10.50	10.75	AK109	D3	1/16	3/4	1-1/4	9/16	5.7	-	-	-	-	-	-	-		
10.66	11.00	11.25	AK114	D3	1/16	3/4	1-1/4	9/16	6.1	2AK114	D3	1/16	1-3/8	1-1/4	1/16	9.1		
11.66	12.00	12.25	AK124	D3	1/16	3/4	1-1/4	9/16	6.7	2AK124	D3	1/16	1-3/8	1-1/4	1/16	10.1		
12.66	13.00	13.25	AK134	D3	1/16	3/4	1-1/4	9/16	8.0	2AK134	D3	1/16	1-3/8	1-1/4	1/16	12.0		
13.66	14.00	14.25	AK144	D3	1/16	3/4	1-1/4	9/16	8.4	2AK144	D3	1/16	1-3/8	1-1/4	1/16	12.5		
14.66	15.00	15.25	AK154	D3	1/16	3/4	1-1/4	9/16	9.4	2AK154	D3	1/16	1-3/8	1-1/4	1/16	13.9		
17.66	18.00	18.25	AK184	D3	1/16	3/4	1-1/4	9/16	11.9	2AK184	D3	1/16	1-3/8	1-1/4	1/16	17.4		

Weights for all Sure-Grip bushed items are approximate and include bushing.

◆ P.D. for 4L same as O.D. P.D. for 3L = Datum Dia. + .25

# Light-Duty (FHP) Sheaves

## Dimensions

### QT BUSHED SHEAVES FOR "B" BELTS

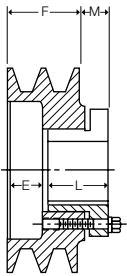
DATUM DIA.		O.D. ◆	Product No.	Single-Groove						Product No.	Two-Groove					
4L (A)	5L (B)			Type	DIMENSIONS				Wt. Lbs.		Type	DIMENSIONS				Wt. Lbs.
		E	F		L	M	E	F		L		M				
2.40	2.80	3.15	BK30	E1	1/2	7/8	1-1/4	7/8	1.8	-	-	-	-	-	-	-
2.60	3.00	3.35	BK32	E1	1/2	7/8	1-1/4	7/8	2.0	2BK32	E1	1-3/8	1-3/4	1-1/4	7/8	2.6
2.80	3.20	3.55	BK34	E1	1/2	7/8	1-1/4	7/8	2.2	2BK34	E1	1-3/8	1-3/4	1-1/4	7/8	3.0
3.00	3.40	3.75	BK36	C2	1/16	7/8	1-1/4	7/16	1.8	2BK36	E1	15/16	1-3/4	1-1/4	7/16	2.6
3.20	3.60	3.95	BK40	C2	1/16	7/8	1-1/4	7/16	2.0	2BK40	E1	15/16	1-3/4	1-1/4	7/16	3.0
3.50	3.90	4.25	BK45	C2	1/16	7/8	1-1/4	7/16	2.4	2BK45	E1	15/16	1-3/4	1-1/4	7/16	3.6
3.70	4.10	4.45	BK47	C2	1/16	7/8	1-1/4	7/16	2.8	2BK47	A2	1/16	1-3/4	1-1/4	7/16	3.4
4.00	4.40	4.75	BK50	C2	1/16	7/8	1-1/4	7/16	2.6	2BK50	A2	1/16	1-3/4	1-1/4	7/16	3.9
4.20	4.60	4.95	BK52	C2	1/16	7/8	1-1/4	7/16	2.7	2BK52	A2	1/16	1-3/4	1-1/4	7/16	4.2
4.50	4.90	5.25	BK55	C2	1/16	7/8	1-1/4	7/16	3.3	2BK55	A2	1/16	1-3/4	1-1/4	7/16	4.5
4.70	5.10	5.45	BK57	C2	1/16	7/8	1-1/4	7/16	3.3	2BK57	A2	1/16	1-3/4	1-1/4	7/16	4.9
5.00	5.40	5.75	BK60	C2	1/16	7/8	1-1/4	7/16	3.1	2BK60	A2	1/16	1-3/4	1-1/4	7/16	5.0
5.20	5.60	5.95	BK62	C2	1/16	7/8	1-1/4	7/16	3.2	2BK62	A2	1/16	1-3/4	1-1/4	7/16	5.1
5.50	5.90	6.25	BK65	C2	1/16	7/8	1-1/4	7/16	3.4	2BK65	D3	5/16	1-3/4	1-1/4	3/16	5.1
5.70	6.10	6.45	BK67	C2	1/16	7/8	1-1/4	7/16	3.5	2BK67	D3	5/16	1-3/4	1-1/4	3/16	5.6
6.00	6.40	6.75	BK70	D3	1/8	7/8	1-1/4	1/2	3.4	2BK70	D3	5/16	1-3/4	1-1/4	3/16	5.7
6.20	6.60	6.95	BK72	D3	1/8	7/8	1-1/4	1/2	3.7	2BK72	D3	5/16	1-3/4	1-1/4	3/16	6.0
6.50	6.90	7.25	BK75	D3	1/8	7/8	1-1/4	1/2	3.9	-	-	-	-	-	-	
6.70	7.10	7.45	BK77	D3	1/8	7/8	1-1/4	1/2	4.2	-	-	-	-	-	-	
7.00	7.40	7.75	BK80	D3	1/8	7/8	1-1/4	1/2	4.0	2BK80	D3	5/16	1-3/4	1-1/4	3/16	7.0
7.50	7.90	8.25	BK85	D3	1/8	7/8	1-1/4	1/2	4.2	-	-	-	-	-	-	
8.00	8.40	8.75	BK90	D3	1/8	7/8	1-1/4	1/2	4.9	2BK90	D3	5/16	1-3/4	1-1/4	3/16	8.2
8.50	8.90	9.25	BK95	D3	1/8	7/8	1-1/4	1/2	5.6	-	-	-	-	-	-	
9.00	9.40	9.75	BK100	D3	1/8	7/8	1-1/4	1/2	5.8	2BK100	D3	5/16	1-3/4	1-1/4	3/16	9.0
9.50	9.90	10.25	BK105	D3	1/8	7/8	1-1/4	1/2	6.1	-	-	-	-	-	-	
10.00	10.40	10.75	BK110	D3	1/8	7/8	1-1/4	1/2	6.6	2BK110	D3	5/16	1-3/4	1-1/4	3/16	9.9
10.50	10.90	11.25	BK115	D3	1/8	7/8	1-1/4	1/2	7.0	-	-	-	-	-	-	
11.00	11.40	11.75	BK120	D3	1/8	7/8	1-1/4	1/2	7.5	2BK120	D3	5/16	1-3/4	1-1/4	3/16	11.6
12.00	12.40	12.75	BK130	D3	1/8	7/8	1-1/4	1/2	7.5	2BK130	D3	5/16	1-3/4	1-1/4	3/16	13.7
13.00	13.40	13.75	BK140	D3	1/8	7/8	1-1/4	1/2	9.1	2BK140	D3	5/16	1-3/4	1-1/4	3/16	15.4
14.00	14.40	14.75	BK150	D3	1/8	7/8	1-1/4	1/2	10.1	-	-	-	-	-	-	
15.00	15.40	15.75	BK160	D3	1/8	7/8	1-1/4	1/2	10.4	2BK160	D3	5/16	1-3/4	1-1/4	3/16	18.1
18.00	18.40	18.75	BK190	D3	1/8	7/8	1-1/4	1/2	13.4	2BK190	D3	5/16	1-3/4	1-1/4	3/16	22.1

Weight for all Sure-Grip bushed items are approximate and include the bushing.

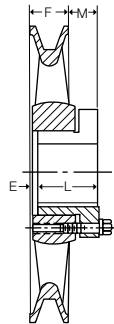
◆ P.D. for A Belts = Datum Dia. + .38

P.D. for B belts = Datum Dia. + .413

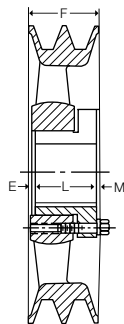
For Sure-Grip Bushing Stock Bores and Keyseat information, refer to A1 section.



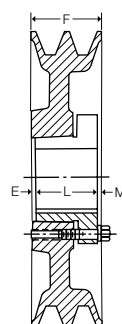
**Type E1**  
(two-groove)



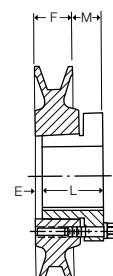
**Type D3**  
(single-groove)



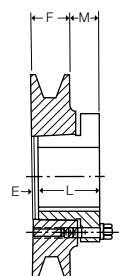
**Type D3**  
(two-groove)



**Type A2**  
(two-groove)



**Type C2**  
(single-groove)

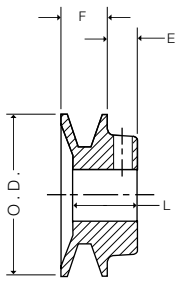


**Type E1**  
(single-groove)

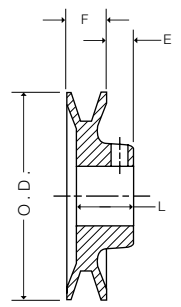


# Single Groove (FHP) Bored-To-Size Sheaves

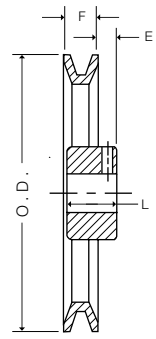
## Dimensions



Type 1



Type 2



Type 3

## BTS SHEAVES FOR "A" BELTS

Product No.	Datum Dia.		O.D. ◆	Stock Bores	Max. Bore	Type	No. of Arms	Dimensions			Wt. Lbs.
	3L (O)	4L (A)						"E" Dim.	"F" Dim.	"L" Dim.	
AK15	-	1.30	1.55	1/2 - 5/8	5/8	1	N/A	7/16	21/32	1-3/32	0.4
AK16	-	1.40	1.65	1/2 - 5/8	5/8	1	N/A	7/16	21/32	1-3/32	0.4
AK17	-	1.50	1.75	1/2 - 5/8 - 3/4	7/8	1	N/A	7/16	21/32	15/16	0.4
AK18	-	1.60	1.85	5/8	7/8	1	N/A	7/16	21/32	15/16	0.4
AK19	-	1.70	1.95	1/2 - 5/8 - 3/4 - 7/8	7/8	1	N/A	7/16	21/32	15/16	0.5
AK20	1.46	1.80	2.05	1/2 - 5/8 - 3/4	7/8	1	N/A	7/16	21/32	15/16	0.5
AK21	1.56	1.90	2.15	1/2 - 5/8 - 3/4	7/8	1	N/A	7/16	21/32	15/16	0.5
AK22	1.66	2.00	2.25	1/2 - 5/8 - 3/4 - 7/8	1"	1	N/A	7/16	21/32	15/16	0.6
AK23	1.76	2.10	2.35	1/2 - 5/8 - 3/4	1"	1	N/A	7/16	21/32	15/16	0.6
AK24	1.86	2.20	2.45	1/2 - 5/8 - 3/4 - 7/8 - 1	1"	1	N/A	7/16	21/32	15/16	0.6
AK25	1.96	2.30	2.55	1/2 - 5/8 - 3/4 - 7/8	1"	2	N/A	7/16	21/32	15/16	0.7
AK26	2.06	2.40	2.65	1/2 - 5/8 - 3/4	1"	2	N/A	7/16	21/32	15/16	0.8
AK27	2.16	2.50	2.75	1/2 - 5/8 - 3/4 - 1 - 7/8	1"	2	N/A	7/16	21/32	15/16	0.8
AK28	2.26	2.60	2.85	1/2 - 5/8 - 3/4 - 7/8	1"	2	N/A	7/16	21/32	15/16	0.9
AK30	2.46	2.80	3.05	1/2 - 5/8 - 3/4 - 7/8 - 1	1"	2	N/A	7/16	21/32	15/16	0.9
AK32	2.66	3.00	3.25	1/2 - 5/8 - 3/4 - 7/8 - 1 - 1-1/8	1-1/8	2	N/A	7/16	21/32	15/16	1
AK34	2.86	3.20	3.45	1/2 - 5/8 - 3/4 - 7/8 - 1 - 1-1/8	1-1/8	2	N/A	7/16	21/32	15/16	1.1
AK35	2.96	3.30	3.55	1/2 - 5/8 - 3/4 - 7/8 - 1	1"	2	N/A	7/16	21/32	15/16	1
AK39	3.16	3.50	3.75	1/2 - 5/8 - 3/4 - 7/8 - 15/16 - 1 - 1-1/8	1-1/8	2	N/A	15/32	3/4	1-5/32	1.6
AK41	3.36	3.70	3.95	1/2 - 5/8 - 3/4 - 7/8 - 15/16 - 1 - 1-1/8	1-1/8	2	N/A	15/32	3/4	1-5/32	1.7
AK44	3.66	4.00	4.25	1/2 - 5/8 - 3/4 - 7/8 - 15/16 - 1 - 1-1/8	1-1/8	3	3	15/32	3/4	1-5/32	1.9
AK46	3.86	4.20	4.45	1/2 - 5/8 - 3/4 - 7/8 - 15/16 - 1 - 1-1/8	1-1/8	3	3	15/32	3/4	1-5/32	1.8
AK49	4.16	4.50	4.75	1/2 - 5/8 - 3/4 - 7/8 - 15/16 - 1 - 1-1/8	1-1/8	3	3	15/32	3/4	1-5/32	1.9
AK51	4.36	4.70	4.95	1/2 - 5/8 - 3/4 - 7/8 - 1 - 1-1/8	1-5/16	3	3	15/32	3/4	1-5/32	2.2
AK54	4.66	5.00	5.25	1/2 - 5/8 - 3/4 - 7/8 - 15/16 - 1 - 1-1/8 - 1-3/16	1-5/16	3	3	15/32	3/4	1-5/32	2.2
AK56	4.86	5.20	5.45	1/2 - 5/8 - 3/4 - 7/8 - 15/16 - 1 - 1-1/8 - 1-3/16	1-5/16	3	3	15/32	3/4	1-5/32	2.3
AK59	5.16	5.50	5.75	1/2 - 5/8 - 3/4 - 7/8 - 15/16 - 1 - 1-1/8 - 1-3/16	1-3/8	3	3	15/32	3/4	1-5/32	2.5
AK61	5.36	5.70	5.95	1/2 - 5/8 - 3/4 - 7/8 - 15/16 - 1 - 1-1/8 - 1-3/16	1-3/8	3	3	15/32	3/4	1-5/32	2.4
AK64	5.66	6.00	6.25	1/2 - 5/8 - 3/4 - 7/8 - 15/16 - 1 - 1-1/8 - 1-3/16	1-3/8	3	3	15/32	3/4	1-5/32	2.8
AK66	5.86	6.20	6.45	5/8 - 3/4 - 1 - 1-1/8	1-3/8	3	3	15/32	3/4	1-5/32	2.8
AK69	6.16	6.50	6.75	3/4 - 1 - 1-1/8	1-9/16	3	6	23/32	3/4	1-15/32	3.7
AK71	6.36	6.70	6.95	1/2 - 5/8 - 3/4 - 1 - 1-1/8 - 1-7/16	1-11/16	3	6	23/32	3/4	1-15/32	3.9
AK74	6.66	7.00	7.25	1/2 - 5/8 - 3/4 - 15/16 - 1 - 1-1/8 - 1-3/16 - 1-1/4 - 1-7/16	1-11/16	3	6	23/32	3/4	1-15/32	4.1
AK79	7.16	7.50	7.75	3/4 - 1 - 1-1/8 - 1-7/16	1-11/16	3	6	23/32	3/4	1-15/32	4.6
AK81	7.36	7.70	7.95	5/8 - 3/4 - 1	1-11/16	3	6	23/32	3/4	1-15/32	4.5
AK84	7.66	8.00	8.25	1/2 - 5/8 - 3/4 - 15/16 - 1 - 1-3/16 - 1-7/16	1-11/16	3	6	23/32	3/4	1-15/32	4.7
AK89	8.16	8.50	8.75	3/4 - 1 - 1-1/8 - 1-7/16	1-11/16	3	6	23/32	3/4	1-15/32	4.9
AK91	8.36	8.70	8.95	3/4 - 1	1-11/16	3	6	23/32	3/4	1-15/32	5
AK94	8.66	9.00	9.25	1/2 - 5/8 - 3/4 - 15/16 - 1 - 1-3/16 - 1-1/4 - 1-7/16 - 7/8	1-11/16	3	6	23/32	3/4	1-15/32	5.3
AK99	9.16	9.50	9.75	3/4 - 1 - 1-7/16	1-11/16	3	6	23/32	3/4	1-15/32	5.5
AK104	9.66	10.00	10.25	5/8 - 3/4 - 1 - 1-3/16 - 1-1/4 - 1-3/8 - 1-7/16 - 7/8	1-11/16	3	6	23/32	3/4	1-15/32	5.7
AK109	10.16	10.50	10.75	3/4 - 1 - 1-3/8 - 1-7/16	1-11/16	3	6	23/32	3/4	1-15/32	6
AK114	10.66	11.00	11.25	3/4 - 1 - 1-3/16 - 1-7/16	1-11/16	3	6	23/32	3/4	1-15/32	6.3
AK124	11.66	12.00	12.25	5/8 - 3/4 - 1 - 1-3/16 - 1-1/4 - 1-7/16	1-11/16	3	6	23/32	3/4	1-15/32	7.1
AK134	12.66	13.00	13.25	3/4 - 1 - 1-3/16 - 1-3/8 - 1-7/16	1-11/16	3	6	23/32	3/4	1-15/32	7.7
AK144	13.66	14.00	14.25	3/4 - 1 - 1-3/16 - 1-7/16	1-11/16	3	6	23/32	3/4	1-15/32	8.6
AK154	14.66	15.00	15.25	3/4 - 1 - 1-3/16 - 1-7/16	1-11/16	3	6	23/32	3/4	1-15/32	9.6
AK184	17.66	18.00	18.25	3/4 - 1 - 1-3/16 - 1-7/16	1-11/16	3	6	23/32	3/4	1-15/32	12.7

P.D. for A same as O.D. P.D. for 3L = Datum Dia. + .25

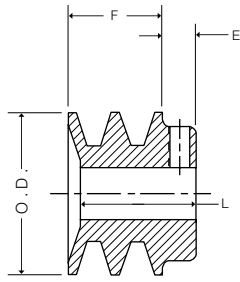
Product Number Example: **AK8434** \_\_\_\_\_ BORE SIZE

### Standard Keyseat Dimensions

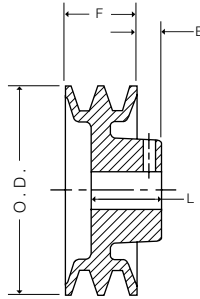
Shaft Dia.	Width	Depth
1/2	No Keyseat	
5/8 - 7/8	3/16	3/32
15/16 - 1-1/4	1/4	1/8
1-5/16 - 1-3/8	5/16	5/32
1-7/16 - 1-3/4	3/8	3/16

# Two Groove (FHP) Bored-To-Size Sheaves

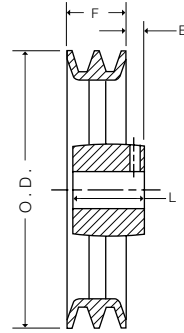
## Dimensions



Type 1A



Type 2A



Type 3A

## BTS SHEAVES FOR "A" BELTS

Product No.	Datum Dia.		O.D. ◆	Stock Bores	Max. Bore	Type	No. of Arms	Dimensions			Wt. Lbs.
	3L (O)	4L (A)						"E" Dim.	"F" Dim.	"L" Dim.	
2AK20	1.46	1.80	2.05	1/2 - 5/8 - 3/4 - 7/8*	15/16	1A	N/A	15/32	1-3/8	1-21/32	0.9
2AK21	1.56	1.90	2.15	1/2 - 5/8 - 3/4 - 7/8 - 1*	15/16	1A	N/A	15/32	1-3/8	1-21/32	1
2AK22	1.66	2.00	2.25	1/2 - 5/8 - 3/4 - 7/8 - 1*	1"	1A	N/A	15/32	1-3/8	1-21/32	1.1
2AK23	1.76	2.10	2.35	5/8 - 3/4 - 7/8 - 1	1-1/8	1A	N/A	15/32	1-3/8	1-21/32	1.3
2AK25	1.96	2.30	2.55	1/2 - 5/8 - 3/4 - 7/8 - 1 - 1-1/8	1-1/8	1A	N/A	15/32	1-3/8	1-21/32	1.5
2AK26	2.06	2.40	2.65	5/8 - 3/4 - 7/8	1-1/8	1A	N/A	15/32	1-3/8	1-21/32	1.6
2AK27	2.16	2.50	2.75	5/8 - 3/4 - 7/8 - 1 - 1-1/8	1-1/8	1A	N/A	15/32	1-3/8	1-21/32	1.7
2AK28	2.26	2.60	2.85	5/8 - 3/4 - 7/8 - 1	1-1/8	1A	N/A	15/32	1-3/8	1-21/32	1.8
2AK30	2.46	2.80	3.05	1/2 - 5/8 - 3/4 - 7/8 - 1 - 1-1/8	1-1/8	1A	N/A	15/32	1-3/8	1-21/32	2
2AK32	2.66	3.00	3.25	1/2 - 5/8 - 3/4 - 7/8 - 1 - 1-1/8	1-1/8	1A	N/A	15/32	1-3/8	1-21/32	2.3
2AK34	2.86	3.20	3.45	1/2 - 5/8 - 3/4 - 7/8 - 1 - 1-1/8	1-1/8	1A	N/A	15/32	1-3/8	1-21/32	2.6
2AK39	3.16	3.50	3.75	1/2 - 5/8 - 3/4 - 7/8 - 1 - 1-1/8	1-1/8	2A	N/A	15/32	1-3/8	1-11/32	2.6
2AK41	3.36	3.70	3.95	5/8 - 3/4 - 7/8 - 1 - 1-1/8	1-3/8	2A	N/A	15/32	1-3/8	1-11/32	2.8
2AK44	3.66	4.00	4.25	5/8 - 3/4 - 7/8 - 1 - 1-1/8	1-3/8	2A	N/A	15/32	1-3/8	1-11/32	3.2
2AK46	3.86	4.20	4.45	5/8 - 7/8 - 1 - 1-1/8	1-3/8	2A	N/A	15/32	1-3/8	1-11/32	3.2
2AK49	4.16	4.50	4.75	3/4 - 7/8 - 1 - 1-1/8 - 1-3/8	1-7/16	2A	N/A	15/32	1-3/8	1-11/32	3.6
2AK51	4.36	4.70	4.95	3/4 - 7/8 - 1 - 1-1/8 - 1-3/8	1-7/16	2A	N/A	15/32	1-3/8	1-11/32	3.3
2AK54	4.66	5.00	5.25	5/8 - 3/4 - 7/8 - 1 - 1-1/8 - 1-3/8	1-7/16	3A	3	15/32	1-3/8	1-11/32	3.8
2AK56	4.86	5.20	5.45	5/8 - 3/4 - 1 - 1-1/8 - 1-3/8	1-7/16	3A	3	15/32	1-3/8	1-11/32	4.1
2AK59	5.16	5.50	5.75	1 - 1-1/8 - 1-3/8	1-7/16	3A	3	15/32	1-3/8	1-11/32	3.9
2AK61	5.36	5.70	5.95	3/4 - 7/8 - 1 - 1-1/8 - 1-3/8	1-7/16	3A	3	15/32	1-3/8	1-11/32	4
2AK64	5.66	6.00	6.25	3/4 - 1 - 1-1/8 - 1-3/16 - 1-3/8 - 1-7/16	1-11/16	3A	3	11/32	1-3/8	1-19/32	4.9
2AK74	6.66	7.00	7.25	3/4 - 1 - 1-1/8 - 1-3/16 - 1-3/8 - 1-7/16	1-11/16	3A	6	11/32	1-3/8	1-19/32	6
2AK84	7.66	8.00	8.25	3/4 - 15/16 - 1 - 1-1/8 - 1-3/16 - 1-3/8 - 1-7/16	1-11/16	3A	6	11/32	1-3/8	1-19/32	6.6
2AK94	8.66	9.00	9.25	3/4 - 1 - 1-1/8 - 1-3/16 - 1-3/8 - 1-7/16	1-11/16	3A	6	11/32	1-3/8	1-19/32	7.5
2AK104	9.66	10.00	10.25	3/4 - 15/16 - 1 - 1-3/16 - 1-7/16	1-11/16	3A	6	11/32	1-3/8	1-19/32	8.5
2AK114	10.66	11.00	11.25	1 - 1-3/16 - 1-3/8 - 1-7/16	1-11/16	3A	6	11/32	1-3/8	1-19/32	9.3
2AK124	11.66	12.00	12.25	1 - 1-3/16 - 1-7/16	1-11/16	3A	6	11/32	1-3/8	1-19/32	10.1
2AK134	12.66	13.00	13.25	1-3/16 - 1-7/16	1-11/16	3A	6	11/32	1-3/8	1-19/32	10.9
2AK144	13.66	14.00	14.25	1 - 1-7/16	1-11/16	3A	6	11/32	1-3/8	1-19/32	12.2
2AK154	14.66	15.00	15.25	1-3/16 - 1-7/16	1-11/16	3A	6	11/32	1-3/8	1-19/32	13.8
2AK184	17.66	18.00	18.25	1-3/16 - 1-7/16	1-11/16	3A	6	11/32	1-3/8	1-19/32	17

\*Cannot use 3L belt

### Standard Keyseat Dimensions

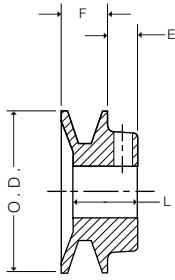
Shaft Dia.	Width	Depth
1/2	No Keyseat	
5/8 - 7/8	3/16	3/32
15/16 - 1-1/4	1/4	1/8
1-5/16 - 1-3/8	5/16	5/32
1-7/16 - 1-3/4	3/8	3/16

P.D. for A same as O.D. P.D. for 3L = Datum Dia. + .25

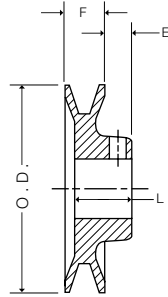
Product Number Example: **2AK1141** ——— BORE SIZE

# Single Groove (FHP) Bored-To-Size Sheaves

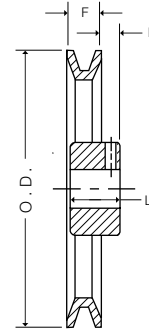
## Dimensions



Type 1



Type 2



Type 3

### DIMENSIONS (in inches)

Product No.	Datum Dia.		O.D.	Stock Bores	Max. Bore	Type	No. of Arms	Dimensions			Wt. Lbs.
	4L (A)	5L (B)						"E" Dim.	"F" Dim.	"L" Dim.	
BK19	-	1.70	2.05	5/8 - 3/4	7/8	1	N/A	7/16	13/16	1-3/32	0.6
BK20	-	1.80	2.15	1/2 - 5/8 - 3/4	1"	1	N/A	7/16	13/16	1-3/32	0.7
BK22	-	2.00	2.35	1/2 - 5/8 - 3/4 - 7/8 - 1	1"	1	N/A	7/16	13/16	1-3/32	0.8
BK23	-	2.10	2.45	1/2 - 5/8 - 3/4 - 7/8 - 1	1"	1	N/A	7/16	13/16	1-3/32	0.8
BK24	1.80	2.20	2.55	1/2 - 5/8 - 3/4 - 7/8 - 1	1"	1	N/A	7/16	13/16	1-3/32	0.9
BK25	1.90	2.30	2.65	1/2 - 5/8 - 3/4 - 7/8 - 1	1"	1	N/A	7/16	13/16	1-1/16	0.9
BK26	2.00	2.40	2.75	1/2 - 5/8 - 3/4 - 7/8	1"	1	N/A	7/16	13/16	1-1/16	1
BK27	2.10	2.50	2.85	1/2 - 5/8 - 3/4 - 7/8 - 1-1/8	1-1/8	2	N/A	7/16	13/16	1-1/16	1.1
BK28	2.20	2.60	2.95	1/2 - 5/8 - 3/4 - 7/8 - 1 - 1-1/8	1-1/8	2	N/A	7/16	13/16	1-1/16	1.1
BK30	2.40	2.80	3.15	1/2 - 5/8 - 3/4 - 7/8 - 1 - 1-1/8	1-1/8	2	N/A	7/16	13/16	1-1/16	1.3
BK31	2.50	2.90	3.25	1/2 - 5/8 - 3/4 - 7/8 - 1 - 1-1/8	1-1/8	2	N/A	7/16	13/16	1-3/32	1.3
BK32	2.60	3.00	3.35	1/2 - 5/8 - 3/4 - 7/8 - 1	1-1/8	2	N/A	7/16	13/16	1-1/16	1.3
BK34	2.80	3.20	3.55	1/2 - 5/8 - 3/4 - 7/8 - 1 - 1-1/8	1-1/8	2	N/A	7/16	7/8	1-5/32	1.6
BK36	3.00	3.40	3.75	1/2 - 5/8 - 3/4 - 7/8 - 1 - 1-1/8	1-1/8	2	N/A	7/16	7/8	1-5/32	1.7
BK40	3.20	3.60	3.95	1/2 - 5/8 - 3/4 - 7/8 - 1 - 1-1/8	1-1/8	2	N/A	7/16	7/8	1-5/32	1.8
BK45	3.50	3.90	4.25	1/2 - 5/8 - 3/4 - 7/8 - 1 - 1-1/8	1-1/8	2	N/A	7/16	7/8	1-5/32	2.1
BK46	3.60	4.00	4.35	7/8	1-1/8	2	N/A	7/16	7/8	1-5/32	2.1
BK47	3.70	4.10	4.45	1/2 - 5/8 - 3/4 - 7/8 - 1 - 1-1/8	1-5/16	2	N/A	7/16	7/8	1-5/32	2.4
BK48	3.80	4.20	4.55	5/8 - 3/4 - 7/8 - 1-1/8	1-5/16	2	N/A	7/16	7/8	1-5/32	2.4
BK50	4.00	4.40	4.75	1/2 - 5/8 - 3/4 - 7/8 - 15/16 - 1 - 1-1/8	1-1/8	3	3	7/16	7/8	1-5/32	2.0
BK52	4.20	4.60	4.95	1/2 - 5/8 - 3/4 - 7/8 - 1 - 1-1/8	1-1/8	3	3	7/16	7/8	1-5/32	2.2
BK55	4.50	4.90	5.25	1/2 - 5/8 - 3/4 - 7/8 - 1 - 1-1/8 - 1-3/16	1-5/16	3	3	7/16	7/8	1-5/32	2.5
BK57	4.70	5.10	5.45	5/8 - 3/4 - 7/8 - 15/16 - 1 - 1-1/8	1-5/16	3	3	7/16	7/8	1-5/32	2.6
BK60	5.00	5.40	5.75	1/2 - 5/8 - 3/4 - 7/8 - 1 - 1-1/8 - 1-3/16	1-3/8	3	3	7/16	7/8	1-5/32	2.7
BK62	5.20	5.60	5.95	1/2 - 5/8 - 3/4 - 7/8 - 15/16 - 1 - 1-1/8 - 1-3/16	1-9/16	3	3	7/16	7/8	1-5/32	3.2
BK65	5.50	5.90	6.25	5/8 - 3/4 - 1 - 1-1/8	1-9/16	3	3	7/16	7/8	1-5/32	3.3
BK67	5.70	6.10	6.45	5/8 - 3/4 - 1 - 1-1/8	1-9/16	3	3	7/16	7/8	1-5/32	3.6
BK70	6.00	6.40	6.75	5/8 - 3/4 - 15/16 - 1 - 1-1/8 - 1-3/16 - 1-7/16	1-11/16	3	3	21/32	7/8	1-5/32	4
BK72	6.20	6.60	6.95	3/4 - 1 - 1-1/8 - 1-3/8 - 1-7/16	1-11/16	3	3	21/32	7/8	1-15/32	4.1
BK75	6.50	6.90	7.25	3/4 - 1 - 1-1/8 - 1-7/16	1-11/16	3	6	21/32	7/8	1-15/32	4.5
BK77	6.70	7.10	7.45	3/4 - 1 - 1-1/8 - 1-3/8 - 1-7/16	1-11/16	3	6	21/32	7/8	1-15/32	4.5
BK80	7.00	7.40	7.75	5/8 - 3/4 - 7/8 - 1 - 1-1/8 - 1-3/16 - 1-1/4 - 1-3/8 - 1-7/16	1-11/16	3	6	21/32	7/8	1-15/32	4.8
BK85	7.50	7.90	8.25	3/4 - 1 - 1-1/8 - 1-3/16 - 1-3/8 - 1-7/16	1-11/16	3	6	21/32	7/8	1-15/32	5.1
BK90	8.00	8.40	8.75	5/8 - 3/4 - 7/8 - 15/16 - 1 - 1-1/8 - 1-3/16 - 1-3/8 - 1-7/16	1-11/16	3	6	21/32	7/8	1-15/32	5.4
BK95	8.50	8.90	9.25	3/4 - 1 - 1-1/8 - 1-3/8 - 1-7/16	1-11/16	3	6	21/32	7/8	1-15/32	5.6
BK100	9.00	9.40	9.75	3/4 - 7/8 - 15/16 - 1 - 1-1/8 - 1-3/16 - 1-1/4 - 1-3/8 - 1-7/16	1-11/16	3	6	21/32	7/8	1-15/32	6.2
BK105	9.50	9.90	10.25	1 - 1-3/8 - 1-7/16	1-11/16	3	6	21/32	7/8	1-15/32	6.3
BK110	10.00	10.40	10.75	3/4 - 1 - 1-1/8 - 1-3/16 - 1-3/8 - 1-7/16	1-11/16	3	6	21/32	7/8	1-15/32	6.6
BK115	10.50	10.90	11.25	1 - 1-3/8 - 1-7/16	1-11/16	3	6	21/32	7/8	1-15/32	7.2
BK120	11.00	11.40	11.75	3/4 - 1 - 1-3/16 - 1-3/8 - 1-7/16	1-11/16	3	6	21/32	7/8	1-15/32	7.5
BK130	12.00	12.40	12.75	3/4 - 1 - 1-1/8 - 1-3/16 - 1-1/4 - 1-7/16	1-11/16	3	6	21/32	7/8	1-15/32	8.5
BK140	13.00	13.40	13.75	3/4 - 1 - 1-1/8 - 1-3/16 - 1-7/16	1-11/16	3	6	21/32	7/8	1-15/32	9.8
BK160	15.00	15.40	15.75	1 - 1-1/8 - 1-3/16 - 1-1/4 - 1-7/16	1-11/16	3	6	21/32	7/8	1-15/32	11.2
BK190	18.00	18.40	18.75	1 - 1-3/16 - 1-1/4 - 1-7/16	1-11/16	3	6	21/32	7/8	1-15/32	13.4

- ◆ P.D. for A belts = Datum Dia. + .38
- P.D. for B belts = Datum Dia. + .413

Product Number Example: **BK701516**  

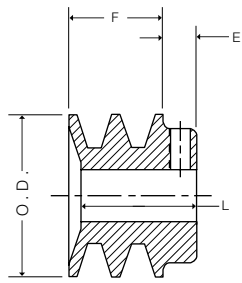
 BORE SIZE

### Standard Keyseat Dimensions

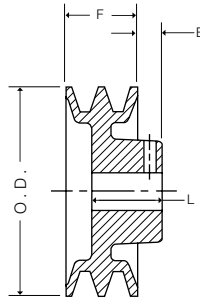
Shaft Dia.	Width	Depth
1/2	No Keyseat	
5/8 - 7/8	3/16	3/32
15/16 - 1-1/4	1/4	1/8
1-5/16 - 1-3/8	5/16	5/32
1-7/16 - 1-3/4	3/8	3/16

# Two Groove (FHP) Bored-To-Size Sheaves

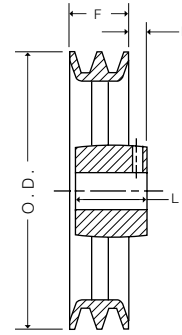
## Dimensions



Type 1A



Type 2A



Type 3A

## BTS SHEAVES FOR "B" BELTS

Product No.	Datum Dia.		O.D. ◆	Stock Bores	Max. Bore	Type	No. of Arms	Dimensions			Wt. Lbs.
	4L (A)	5L (B)						"E" Dim.	"F" Dim.	"L" Dim.	
2BK23	1.70	2.10	2.45	5/8 - 7/8	1-1/8	1A	N/A	15/32	1-3/4	2-1/32	1.7
2BK25	1.90	2.30	2.65	1/2 - 5/8 - 3/4 - 7/8 - 1	1-1/8	1A	N/A	15/32	1-3/4	1-31/32	1.8
2BK26	2.00	2.40	2.75	5/8 - 7/8 - 1-1/8	1-1/8	1A	N/A	15/32	1-3/4	1-31/32	2.0
2BK27	2.10	2.50	2.85	1/2 - 5/8 - 3/4 - 7/8 - 1 - 1-1/8	1-1/8	1A	N/A	15/32	1-3/4	1-31/32	2.1
2BK28	2.20	2.60	2.95	1/2 - 5/8 - 3/4 - 7/8 - 1 - 1-1/8	1-1/8	1A	N/A	15/32	1-3/4	1-31/32	2.2
2BK30	2.40	2.80	3.15	1/2 - 5/8 - 3/4 - 7/8 - 1 - 1-1/8	1-1/8	1A	N/A	15/32	1-3/4	1-31/32	2.6
2BK32	2.60	3.00	3.35	5/8 - 3/4 - 7/8 - 1 - 1-1/8	1-1/8	1A	N/A	15/32	1-3/4	1-31/32	2.9
2BK34	2.80	3.20	3.55	5/8 - 3/4 - 7/8 - 1 - 1-1/8	1-1/8	1A	N/A	15/32	1-3/4	1-31/32	3.3
2BK36	3.00	3.40	3.75	5/8 - 3/4 - 7/8 - 1 - 1-1/8 - 1-3/8	1-3/8	1A	N/A	15/32	1-3/4	1-31/32	3.7
2BK40	3.20	3.60	3.95	5/8 - 3/4 - 7/8 - 1 - 1-1/8 - 1-3/8	1-3/8	2A	N/A	15/32	1-3/4	1-15/32	3.3
2BK45	3.50	3.90	4.25	1 - 1-1/8 - 1-3/8	1-3/8	2A	N/A	15/32	1-3/4	1-15/32	3.9
2BK47	3.70	4.10	4.45	7/8 - 1 - 1-1/8	1-3/8	2A	N/A	15/32	1-3/4	1-15/32	4.2
2BK50	4.00	4.40	4.75	3/4 - 1 - 1-1/8 - 1-3/8	1-3/8	2A	N/A	15/32	1-3/4	1-15/32	4.7
2BK52	4.20	4.60	4.95	7/8 - 1 - 1-1/8 - 1-3/8	1-3/8	2A	N/A	15/32	1-3/4	1-15/32	5.0
2BK55	4.50	4.90	5.25	1-1/8 - 1-3/8	1-7/16	2A	N/A	15/32	1-3/4	1-15/32	5.1
2BK57	4.70	5.10	5.45	1 - 1-1/8 - 1-3/8	1-7/16	2A	N/A	15/32	1-3/4	1-15/32	4.8
2BK60	5.00	5.40	5.75	3/4 - 7/8 - 1 - 1-1/8 - 1-3/8	1-7/16	3A	3	15/32	1-3/4	1-15/32	5.3
2BK62	5.20	5.60	5.95	1 - 1-1/8 - 1-3/8	1-7/16	3A	3	15/32	1-3/4	1-15/32	5.7
2BK65	5.50	5.90	6.25	1 - 1-1/8 - 1-3/8	1-7/16	3A	3	15/32	1-3/4	1-15/32	5.5
2BK67	5.70	6.10	6.45	1 - 1-1/8 - 1-3/8	1-7/16	3A	3	15/32	1-3/4	1-15/32	5.7
2BK70	6.00	6.40	6.75	3/4 - 1 - 1-1/8 - 1-3/16 - 1-3/8 - 1-7/16	1-11/16	3A	3	11/32	1-3/4	1-19/32	6.5
2BK80	7.00	7.40	7.75	3/4 - 1 - 1-1/8 - 1-3/16 - 1-3/8 - 1-7/16	1-11/16	3A	6	11/32	1-3/4	1-19/32	7.9
2BK90	8.00	8.40	8.75	3/4 - 1 - 1-1/8 - 1-3/16 - 1-3/8 - 1-7/16	1-11/16	3A	6	11/32	1-3/4	1-19/32	8.9
2BK100	9.00	9.40	9.75	3/4 - 1 - 1-3/16 - 1-3/8 - 1-7/16	1-11/16	3A	6	11/32	1-3/4	1-19/32	10.1
2BK110	10.00	10.40	10.75	1 - 1-3/16 - 1-7/16	1-11/16	3A	6	11/32	1-3/4	1-19/32	11.1
2BK120	11.00	11.40	11.75	1 - 1-3/16 - 1-7/16	1-11/16	3A	6	11/32	1-3/4	1-19/32	12.2
2BK130	12.00	12.40	12.75	1 - 1-3/16 - 1-7/16	1-15/16	3A	6	11/32	1-3/4	1-19/32	14.0
2BK140	13.00	13.40	13.75	1 - 1-3/16 - 1-7/16	1-15/16	3A	6	11/32	1-3/4	1-19/32	15.1
2BK160	15.00	15.40	15.75	1 - 1-3/16 - 1-7/16	1-15/16	3A	6	11/32	1-3/4	1-19/32	17.9
2BK190	18.00	18.40	18.75	1-3/16 - 1-7/16	1-15/16	3A	6	11/32	1-3/4	1-19/32	22.0

- ◆ P.D. for A belts = Datum Dia. + .38
- P.D. for B belts = Datum Dia. + .413

Product Number Example: **2BK30118**  
└─── BORE SIZE

### Standard Keyseat Dimensions

Shaft Dia.	Width	Depth
1/2	No Keyseat	
5/8 - 7/8	3/16	3/32
15/16 - 1-1/4	1/4	1/8
1-5/16 - 1-3/8	5/16	5/32
1-7/16 - 1-3/4	3/8	3/16



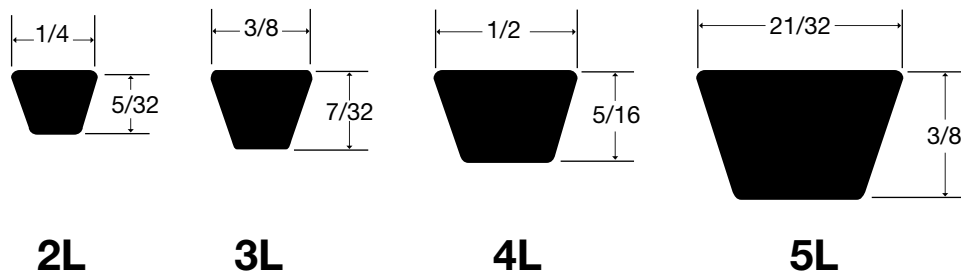
# Light-Duty (FHP) V-Belts

## Dimensions

### 5L Belts

Product No.	Outside Length	Wt. (Lbs.)
5L230	23.0	.18
5L240	24.0	.19
5L250	25.0	.20
5L260	26.0	.20
5L270	27.0	.21
5L280	28.0	.22
5L290	29.0	.23
5L300	30.0	.23
5L310	31.0	.24
5L320	32.0	.25
5L330	33.0	.26
5L340	34.0	.27
5L350	35.0	.27
5L360	36.0	.28
5L370	37.0	.29
5L380	38.0	.30
5L390	39.0	.31
5L400	40.0	.31
5L410	41.0	.32
5L420	42.0	.33
5L430	43.0	.34
5L440	44.0	.35
5L450	45.0	.35
5L460	46.0	.36
5L470	47.0	.37
5L480	48.0	.38
5L490	49.0	.39
5L500	50.0	.39
5L510	51.0	.40
5L520	52.0	.41
5L530	53.0	.42
5L540	54.0	.43
5L550	55.0	.43
5L560	56.0	.44
5L570	57.0	.45

Product No.	Outside Length	Wt. (Lbs.)
5L580	58.0	.46
5L590	59.0	.47
5L600	60.0	.47
5L610	61.0	.48
5L620	62.0	.49
5L630	63.0	.50
5L640	64.0	.51
5L650	65.0	.51
5L660	66.0	.52
5L670	67.0	.53
5L680	68.0	.54
5L690	69.0	.55
5L700	70.0	.55
5L710	71.0	.56
5L720	72.0	.57
5L730	73.0	.58
5L740	74.0	.59
5L750	75.0	.59
5L760	76.0	.60
5L770	77.0	.61
5L780	78.0	.62
5L790	79.0	.63
5L800	80.0	.63
5L810	81.0	.64
5L820	82.0	.65
5L830	83.0	.66
5L840	84.0	.67
5L850	85.0	.67



# Drive Ratios Using 3L Belts In AK Sheaves

Ratio	DR	DN	Ratio	DR	DN	Ratio	DR	DN	Ratio	DR	DN	Ratio	DR	DN
1.00	AK20	AK20	1.18	AK44	AK51	1.44	AK46	AK64	1.74	AK34	AK59	2.07	AK30	AK61
1.00	AK21	AK21	1.18	AK30	AK35	1.44	AK28	AK41	1.75	AK35	AK61	2.09	AK25	AK51
1.00	AK22	AK22	1.19	AK24	AK28	1.44	AK39	AK54	1.76	AK32	AK56	2.09	AK24	AK49
1.00	AK23	AK23	1.19	AK46	AK54	1.44	AK30	AK44	1.76	AK28	AK49	2.09	AK46	AK91
1.00	AK24	AK24	1.20	AK23	AK27	1.45	AK23	AK32	1.77	AK44	AK74	2.10	AK32	AK66
1.00	AK25	AK25	1.21	AK39	AK46	1.45	AK25	AK35	1.77	AK25	AK44	2.11	AK41	AK81
1.00	AK26	AK26	1.21	AK27	AK32	1.47	AK20	AK28	1.77	AK21	AK35	2.11	AK20	AK41
1.00	AK27	AK27	1.21	AK22	AK26	1.47	AK24	AK34	1.78	AK41	AK69	2.12	AK27	AK56
1.00	AK28	AK28	1.22	AK35	AK44	1.48	AK26	AK39	1.78	AK26	AK46	2.13	AK34	AK71
1.00	AK30	AK30	1.22	AK21	AK25	1.48	AK34	AK51	1.79	AK22	AK39	2.13	AK26	AK54
1.00	AK32	AK32	1.22	AK41	AK49	1.49	AK46	AK66	1.79	AK39	AK66	2.15	AK44	AK89
1.00	AK34	AK34	1.23	AK25	AK30	1.50	AK21	AK30	1.80	AK23	AK41	2.15	AK22	AK46
1.00	AK35	AK35	1.23	AK20	AK24	1.50	AK27	AK41	1.80	AK46	AK79	2.15	AK35	AK74
1.00	AK39	AK39	1.24	AK28	AK34	1.50	AK39	AK56	1.80	AK34	AK61	2.16	AK28	AK59
1.00	AK41	AK41	1.24	AK32	AK41	1.50	AK41	AK59	1.81	AK30	AK54	2.16	AK21	AK44
1.00	AK44	AK44	1.24	AK46	AK56	1.51	AK44	AK64	1.82	AK20	AK34	2.17	AK46	AK94
1.00	AK46	AK46	1.25	AK23	AK28	1.52	AK32	AK49	1.83	AK27	AK49	2.17	AK39	AK79
1.03	AK34	AK35	1.26	AK44	AK54	1.52	AK30	AK46	1.83	AK41	AK71	2.18	AK30	AK64
1.04	AK27	AK28	1.26	AK34	AK44	1.52	AK24	AK35	1.84	AK28	AK51	2.18	AK24	AK51
1.04	AK26	AK27	1.26	AK30	AK39	1.52	AK22	AK32	1.84	AK35	AK64	2.19	AK41	AK84
1.05	AK25	AK26	1.26	AK26	AK32	1.53	AK35	AK54	1.85	AK46	AK81	2.19	AK23	AK49
1.05	AK24	AK25	1.26	AK22	AK27	1.54	AK25	AK39	1.85	AK24	AK44	2.20	AK44	AK91
1.05	AK23	AK24	1.28	AK21	AK26	1.55	AK23	AK34	1.86	AK32	AK59	2.20	AK32	AK69
1.05	AK44	AK46	1.28	AK41	AK51	1.55	AK41	AK61	1.86	AK25	AK46	2.21	AK26	AK56
1.05	AK22	AK23	1.28	AK28	AK35	1.56	AK28	AK44	1.88	AK20	AK35	2.22	AK25	AK54
1.06	AK21	AK22	1.28	AK35	AK46	1.56	AK46	AK69	1.88	AK39	AK69	2.22	AK34	AK74
1.06	AK20	AK21	1.28	AK24	AK30	1.56	AK44	AK66	1.88	AK21	AK39	2.23	AK39	AK81
1.06	AK39	AK41	1.29	AK27	AK34	1.56	AK26	AK41	1.89	AK30	AK56	2.24	AK28	AK61
1.06	AK35	AK39	1.29	AK20	AK25	1.58	AK34	AK54	1.89	AK22	AK41	2.24	AK27	AK59
1.07	AK32	AK34	1.29	AK39	AK49	1.58	AK32	AK51	1.90	AK44	AK79	2.25	AK30	AK66
1.07	AK46	AK49	1.31	AK44	AK56	1.58	AK20	AK30	1.90	AK34	AK64	2.27	AK21	AK46
1.07	AK30	AK32	1.31	AK22	AK28	1.59	AK39	AK59	1.90	AK35	AK66	2.27	AK32	AK71
1.08	AK28	AK30	1.32	AK46	AK59	1.59	AK35	AK56	1.91	AK26	AK49	2.28	AK44	AK94
1.08	AK41	AK44	1.32	AK25	AK32	1.60	AK23	AK35	1.91	AK27	AK51	2.29	AK20	AK44
1.09	AK26	AK28	1.32	AK34	AK46	1.61	AK21	AK32	1.91	AK41	AK74	2.29	AK46	AK99
1.09	AK25	AK27	1.33	AK21	AK27	1.61	AK46	AK71	1.92	AK46	AK84	2.29	AK23	AK51
1.09	AK24	AK26	1.33	AK27	AK35	1.62	AK24	AK39	1.93	AK32	AK61	2.31	AK35	AK79
1.10	AK34	AK39	1.33	AK30	AK41	1.62	AK27	AK44	1.94	AK39	AK71	2.31	AK22	AK49
1.10	AK23	AK25	1.34	AK32	AK44	1.63	AK30	AK49	1.95	AK23	AK44	2.31	AK25	AK56
1.10	AK32	AK35	1.35	AK26	AK34	1.63	AK22	AK34	1.95	AK44	AK81	2.32	AK39	AK84
1.10	AK22	AK24	1.35	AK23	AK30	1.63	AK25	AK41	1.95	AK24	AK46	2.33	AK24	AK54
1.11	AK21	AK23	1.35	AK20	AK26	1.64	AK41	AK64	1.96	AK28	AK54	2.33	AK27	AK61
1.12	AK20	AK22	1.35	AK39	AK51	1.64	AK28	AK46	1.96	AK34	AK66	2.33	AK41	AK89
1.12	AK46	AK51	1.36	AK28	AK39	1.64	AK44	AK69	1.99	AK20	AK39	2.34	AK26	AK59
1.12	AK27	AK30	1.36	AK41	AK54	1.64	AK34	AK56	1.99	AK21	AK41	2.35	AK28	AK64
1.12	AK35	AK41	1.36	AK46	AK61	1.65	AK39	AK61	2.00	AK25	AK49	2.37	AK30	AK69
1.13	AK44	AK49	1.37	AK35	AK49	1.68	AK22	AK35	2.00	AK26	AK51	2.37	AK35	AK81
1.14	AK25	AK28	1.38	AK24	AK32	1.68	AK46	AK74	2.00	AK30	AK59	2.37	AK32	AK74
1.14	AK41	AK46	1.38	AK44	AK59	1.69	AK35	AK59	2.00	AK35	AK69	2.38	AK34	AK79
1.14	AK24	AK27	1.39	AK21	AK28	1.69	AK32	AK54	2.02	AK44	AK84	2.39	AK41	AK91
1.15	AK39	AK44	1.39	AK26	AK35	1.69	AK44	AK71	2.03	AK39	AK74	2.40	AK20	AK46
1.15	AK30	AK34	1.41	AK25	AK34	1.69	AK41	AK66	2.03	AK32	AK64	2.41	AK44	AK99
1.15	AK23	AK26	1.41	AK20	AK27	1.69	AK26	AK44	2.04	AK28	AK56	2.41	AK46	AK104
1.16	AK22	AK25	1.41	AK32	AK46	1.70	AK23	AK39	2.04	AK27	AK54	2.41	AK22	AK51
1.16	AK28	AK32	1.41	AK27	AK39	1.70	AK30	AK51	2.04	AK23	AK46	2.42	AK24	AK56
1.16	AK34	AK41	1.42	AK41	AK56	1.70	AK20	AK32	2.05	AK46	AK89	2.43	AK26	AK61
1.17	AK21	AK24	1.42	AK34	AK49	1.71	AK27	AK46	2.05	AK22	AK44	2.43	AK28	AK66
1.17	AK32	AK39	1.42	AK22	AK30	1.71	AK24	AK41	2.05	AK41	AK79	2.44	AK21	AK49
1.17	AK26	AK30	1.43	AK44	AK61	1.72	AK21	AK34	2.06	AK35	AK71	2.44	AK30	AK71
1.18	AK20	AK23	1.44	AK35	AK51	1.73	AK39	AK64	2.06	AK34	AK69	2.44	AK23	AK54



# Drive Ratios Using 3L Belts In AK Sheaves

Ratio	DR	DN	Ratio	DR	DN	Ratio	DR	DN	Ratio	DR	DN	Ratio	DR	DN
2.45	AK34	AK81	2.89	AK32	AK89	3.42	AK26	AK84	4.11	AK27	AK104	5.20	AK21	AK99
2.45	AK25	AK59	2.90	AK24	AK66	3.43	AK28	AK91	4.13	AK41	AK154	5.21	AK20	AK94
2.45	AK27	AK64	2.90	AK46	AK124	3.44	AK23	AK74	4.14	AK22	AK84	5.25	AK39	AK184
2.46	AK35	AK84	2.90	AK25	AK69	3.44	AK25	AK81	4.15	AK28	AK109	5.36	AK27	AK134
2.47	AK39	AK89	2.91	AK39	AK104	3.46	AK20	AK64	4.15	AK34	AK134	5.39	AK25	AK124
2.47	AK41	AK94	2.92	AK30	AK84	3.46	AK22	AK71	4.18	AK23	AK89	5.43	AK23	AK114
2.52	AK39	AK91	2.93	AK35	AK99	3.47	AK30	AK99	4.20	AK21	AK81	5.45	AK22	AK109
2.53	AK46	AK109	2.94	AK22	AK61	3.49	AK27	AK89	4.22	AK24	AK94	5.48	AK21	AK104
2.53	AK44	AK104	2.94	AK23	AK64	3.49	AK39	AK124	4.26	AK25	AK99	5.50	AK30	AK154
2.54	AK27	AK66	2.95	AK28	AK79	3.51	AK34	AK114	4.28	AK23	AK91	5.50	AK20	AK99
2.54	AK25	AK61	2.96	AK32	AK91	3.51	AK24	AK79	4.29	AK26	AK104	5.54	AK28	AK144
2.54	AK23	AK56	2.99	AK20	AK56	3.54	AK21	AK69	4.32	AK27	AK109	5.58	AK35	AK184
2.54	AK34	AK84	2.99	AK21	AK59	3.55	AK28	AK94	4.33	AK20	AK79	5.59	AK26	AK134
2.55	AK32	AK79	2.99	AK25	AK71	3.56	AK44	AK144	4.33	AK35	AK144	5.64	AK24	AK124
2.55	AK21	AK51	2.99	AK26	AK74	3.57	AK27	AK91	4.35	AK28	AK114	5.71	AK22	AK114
2.55	AK30	AK74	3.02	AK41	AK114	3.57	AK20	AK66	4.36	AK46	AK184	5.75	AK21	AK109
2.55	AK28	AK69	3.03	AK34	AK99	3.58	AK41	AK134	4.37	AK21	AK84	5.76	AK34	AK184
2.56	AK26	AK64	3.03	AK28	AK81	3.58	AK32	AK109	4.37	AK39	AK154	5.77	AK27	AK144
2.56	AK24	AK59	3.04	AK24	AK69	3.58	AK25	AK84	4.39	AK30	AK124	5.80	AK20	AK104
2.57	AK22	AK54	3.04	AK23	AK66	3.61	AK24	AK81	4.40	AK22	AK89	5.84	AK25	AK134
2.58	AK20	AK49	3.05	AK44	AK124	3.62	AK22	AK74	4.43	AK23	AK94	5.93	AK23	AK124
2.61	AK41	AK99	3.05	AK39	AK109	3.63	AK46	AK154	4.44	AK32	AK134	5.94	AK28	AK154
2.61	AK39	AK94	3.06	AK32	AK94	3.64	AK26	AK89	4.45	AK20	AK81	6.02	AK26	AK144
2.62	AK32	AK81	3.07	AK27	AK79	3.65	AK21	AK71	4.46	AK24	AK99	6.03	AK21	AK114
2.62	AK35	AK89	3.09	AK35	AK104	3.66	AK30	AK104	4.47	AK34	AK144	6.09	AK20	AK109
2.63	AK28	AK71	3.09	AK22	AK64	3.69	AK23	AK79	4.48	AK25	AK104	6.12	AK24	AK134
2.65	AK26	AK66	3.10	AK21	AK61	3.70	AK27	AK94	4.51	AK26	AK109	6.15	AK32	AK184
2.65	AK46	AK114	3.10	AK30	AK89	3.71	AK35	AK124	4.51	AK22	AK91	6.19	AK27	AK154
2.66	AK24	AK61	3.13	AK25	AK74	3.73	AK26	AK91	4.53	AK27	AK114	6.24	AK22	AK124
2.66	AK27	AK69	3.13	AK24	AK71	3.75	AK20	AK69	4.58	AK44	AK184	6.29	AK25	AK144
2.66	AK44	AK109	3.14	AK46	AK134	3.75	AK24	AK84	4.63	AK20	AK84	6.38	AK20	AK114
2.67	AK25	AK64	3.15	AK28	AK84	3.75	AK28	AK99	4.64	AK35	AK154	6.42	AK23	AK134
2.68	AK22	AK56	3.16	AK27	AK81	3.75	AK32	AK114	4.65	AK21	AK89	6.45	AK26	AK154
2.68	AK35	AK91	3.16	AK20	AK59	3.79	AK39	AK134	4.66	AK22	AK94	6.58	AK21	AK124
2.69	AK23	AK59	3.18	AK30	AK91	3.79	AK23	AK81	4.68	AK23	AK99	6.59	AK24	AK144
2.70	AK20	AK51	3.19	AK34	AK104	3.81	AK25	AK89	4.70	AK24	AK104	6.61	AK30	AK184
2.70	AK34	AK89	3.19	AK23	AK69	3.81	AK44	AK154	4.71	AK25	AK109	6.75	AK25	AK154
2.71	AK21	AK54	3.20	AK22	AK66	3.82	AK21	AK74	4.72	AK26	AK114	6.76	AK22	AK134
2.72	AK32	AK84	3.20	AK39	AK114	3.83	AK34	AK124	4.75	AK28	AK124	6.92	AK23	AK144
2.73	AK30	AK79	3.21	AK26	AK79	3.84	AK30	AK109	4.76	AK21	AK91	6.96	AK20	AK124
2.74	AK27	AK71	3.23	AK32	AK99	3.85	AK41	AK144	4.76	AK30	AK134	7.07	AK24	AK154
2.75	AK41	AK104	3.24	AK35	AK109	3.86	AK26	AK94	4.78	AK32	AK144	7.13	AK21	AK134
2.75	AK28	AK74	3.27	AK21	AK64	3.87	AK20	AK71	4.79	AK34	AK154	7.14	AK28	AK184
2.76	AK39	AK99	3.27	AK24	AK74	3.88	AK22	AK79	4.92	AK20	AK89	7.28	AK22	AK144
2.76	AK25	AK66	3.28	AK20	AK61	3.90	AK25	AK91	4.92	AK21	AK94	7.42	AK23	AK154
2.77	AK34	AK91	3.28	AK27	AK84	3.90	AK27	AK99	4.93	AK22	AK99	7.43	AK27	AK184
2.77	AK26	AK69	3.29	AK30	AK94	3.94	AK23	AK84	4.93	AK23	AK104	7.55	AK20	AK134
2.78	AK35	AK94	3.29	AK23	AK71	3.95	AK28	AK104	4.93	AK24	AK109	7.69	AK21	AK144
2.79	AK44	AK114	3.29	AK26	AK81	3.98	AK22	AK81	4.94	AK25	AK114	7.75	AK26	AK184
2.79	AK23	AK61	3.30	AK41	AK124	3.99	AK24	AK89	4.94	AK27	AK124	7.81	AK22	AK154
2.80	AK24	AK64	3.30	AK44	AK134	4.02	AK35	AK134	4.96	AK41	AK184	8.10	AK25	AK184
2.81	AK30	AK81	3.35	AK34	AK109	4.03	AK30	AK114	5.04	AK20	AK91	8.13	AK20	AK144
2.82	AK21	AK56	3.35	AK28	AK89	4.03	AK25	AK94	5.12	AK32	AK154	8.24	AK21	AK154
2.83	AK22	AK59	3.35	AK25	AK79	4.04	AK20	AK74	5.13	AK30	AK144	8.49	AK24	AK184
2.86	AK26	AK71	3.36	AK22	AK69	4.07	AK26	AK99	5.14	AK28	AK134	8.72	AK20	AK154
2.86	AK34	AK94	3.38	AK21	AK66	4.08	AK39	AK144	5.16	AK26	AK124	8.91	AK23	AK184
2.87	AK27	AK74	3.38	AK46	AK144	4.08	AK24	AK91	5.17	AK24	AK114	9.38	AK22	AK184
2.87	AK20	AK54	3.40	AK35	AK114	4.09	AK32	AK124	5.18	AK23	AK109	9.90	AK21	AK184
2.88	AK41	AK109	3.41	AK32	AK104	4.09	AK21	AK79	5.19	AK22	AK104	10.47	AK20	AK184

# Drive Ratios Using 4L, AP & AX Belts In AK Sheaves

Ratio	DR	DN	Ratio	DR	DN	Ratio	DR	DN	Ratio	DR	DN	Ratio	DR	DN
1.00	AK15	AK15	1.05	AK61	AK64	1.13	AK41	AK46	1.21	AK49	AK59	1.30	AK26	AK34
1.00	AK16	AK16	1.05	AK19	AK20	1.13	AK23	AK26	1.21	AK23	AK28	1.30	AK61	AK79
1.00	AK17	AK17	1.05	AK39	AK41	1.13	AK15	AK17	1.22	AK32	AK41	1.30	AK84	AK109
1.00	AK18	AK18	1.05	AK18	AK19	1.13	AK79	AK89	1.22	AK18	AK22	1.30	AK16	AK21
1.00	AK19	AK19	1.05	AK94	AK99	1.13	AK30	AK34	1.22	AK94	AK114	1.30	AK51	AK66
1.00	AK20	AK20	1.06	AK56	AK59	1.13	AK22	AK25	1.22	AK61	AK74	1.31	AK19	AK25
1.00	AK21	AK21	1.06	AK35	AK39	1.13	AK39	AK44	1.22	AK22	AK27	1.31	AK32	AK44
1.00	AK22	AK22	1.06	AK17	AK18	1.13	AK54	AK61	1.22	AK69	AK84	1.32	AK28	AK39
1.00	AK23	AK23	1.06	AK89	AK94	1.13	AK61	AK69	1.22	AK46	AK56	1.32	AK49	AK64
1.00	AK24	AK24	1.06	AK84	AK89	1.14	AK74	AK84	1.23	AK26	AK32	1.32	AK39	AK51
1.00	AK25	AK25	1.06	AK16	AK17	1.14	AK21	AK24	1.23	AK81	AK99	1.32	AK64	AK84
1.00	AK26	AK26	1.06	AK51	AK54	1.14	AK28	AK32	1.23	AK54	AK66	1.32	AK15	AK20
1.00	AK27	AK27	1.06	AK32	AK34	1.14	AK71	AK81	1.23	AK89	AK109	1.32	AK79	AK104
1.00	AK28	AK28	1.06	AK15	AK16	1.14	AK34	AK41	1.23	AK17	AK21	1.32	AK54	AK71
1.00	AK30	AK30	1.06	AK79	AK84	1.15	AK91	AK104	1.23	AK30	AK39	1.32	AK18	AK24
1.00	AK32	AK32	1.07	AK30	AK32	1.15	AK20	AK23	1.23	AK34	AK44	1.32	AK94	AK124
1.00	AK34	AK34	1.07	AK46	AK49	1.15	AK56	AK64	1.23	AK21	AK26	1.33	AK21	AK28
1.00	AK35	AK35	1.07	AK74	AK79	1.15	AK49	AK56	1.23	AK66	AK81	1.33	AK69	AK91
1.00	AK39	AK39	1.07	AK28	AK30	1.15	AK69	AK79	1.23	AK74	AK91	1.33	AK24	AK32
1.00	AK41	AK41	1.07	AK69	AK74	1.15	AK26	AK30	1.24	AK44	AK54	1.33	AK41	AK54
1.00	AK44	AK44	1.08	AK26	AK28	1.15	AK19	AK22	1.24	AK56	AK69	1.33	AK56	AK74
1.00	AK46	AK46	1.08	AK41	AK44	1.15	AK32	AK39	1.24	AK64	AK79	1.33	AK71	AK94
1.00	AK49	AK49	1.08	AK66	AK71	1.15	AK79	AK91	1.24	AK16	AK20	1.34	AK61	AK81
1.00	AK51	AK51	1.08	AK25	AK27	1.16	AK64	AK74	1.24	AK84	AK104	1.34	AK46	AK61
1.00	AK54	AK54	1.08	AK64	AK69	1.16	AK51	AK59	1.24	AK20	AK25	1.34	AK35	AK49
1.00	AK56	AK56	1.08	AK24	AK26	1.16	AK18	AK21	1.24	AK24	AK30	1.34	AK26	AK35
1.00	AK59	AK59	1.08	AK61	AK66	1.16	AK94	AK109	1.25	AK28	AK35	1.34	AK20	AK27
1.00	AK61	AK61	1.08	AK84	AK91	1.16	AK24	AK28	1.25	AK49	AK61	1.34	AK17	AK23
1.00	AK64	AK64	1.09	AK23	AK25	1.16	AK81	AK94	1.25	AK41	AK51	1.34	AK74	AK99
1.00	AK66	AK66	1.09	AK34	AK39	1.16	AK30	AK35	1.25	AK35	AK46	1.35	AK59	AK79
1.00	AK69	AK69	1.09	AK59	AK64	1.16	AK44	AK51	1.25	AK27	AK34	1.35	AK81	AK109
1.00	AK71	AK71	1.09	AK22	AK24	1.17	AK61	AK71	1.26	AK19	AK24	1.35	AK44	AK59
1.00	AK74	AK74	1.09	AK91	AK99	1.17	AK23	AK27	1.26	AK91	AK114	1.35	AK25	AK34
1.00	AK79	AK79	1.09	AK56	AK61	1.17	AK17	AK20	1.26	AK79	AK99	1.36	AK22	AK30
1.00	AK81	AK81	1.09	AK32	AK35	1.17	AK89	AK104	1.26	AK15	AK19	1.36	AK66	AK89
1.00	AK84	AK84	1.09	AK21	AK23	1.17	AK59	AK69	1.26	AK71	AK89	1.36	AK49	AK66
1.00	AK89	AK89	1.10	AK54	AK59	1.18	AK22	AK26	1.26	AK59	AK74	1.36	AK19	AK26
1.00	AK91	AK91	1.10	AK74	AK81	1.18	AK69	AK81	1.26	AK51	AK64	1.36	AK16	AK22
1.00	AK94	AK94	1.10	AK20	AK22	1.18	AK46	AK54	1.27	AK22	AK28	1.36	AK27	AK39
1.02	AK89	AK91	1.10	AK81	AK89	1.18	AK27	AK32	1.27	AK39	AK49	1.36	AK51	AK69
1.03	AK79	AK81	1.10	AK51	AK56	1.18	AK84	AK99	1.27	AK18	AK23	1.36	AK84	AK114
1.03	AK34	AK35	1.10	AK19	AK21	1.18	AK16	AK19	1.27	AK64	AK81	1.37	AK91	AK124
1.03	AK69	AK71	1.11	AK49	AK54	1.18	AK56	AK66	1.27	AK25	AK32	1.37	AK32	AK46
1.03	AK64	AK66	1.11	AK18	AK20	1.19	AK21	AK25	1.28	AK56	AK71	1.37	AK69	AK94
1.03	AK91	AK94	1.11	AK94	AK104	1.19	AK39	AK46	1.28	AK74	AK94	1.38	AK34	AK49
1.03	AK59	AK61	1.11	AK27	AK30	1.19	AK71	AK84	1.28	AK21	AK27	1.38	AK18	AK25
1.04	AK27	AK28	1.11	AK64	AK71	1.19	AK54	AK64	1.28	AK66	AK84	1.38	AK41	AK56
1.04	AK26	AK27	1.11	AK46	AK51	1.19	AK15	AK18	1.28	AK44	AK56	1.38	AK54	AK74
1.04	AK81	AK84	1.11	AK35	AK41	1.19	AK79	AK94	1.29	AK17	AK22	1.38	AK59	AK81
1.04	AK54	AK56	1.11	AK17	AK19	1.20	AK20	AK24	1.29	AK54	AK69	1.38	AK23	AK32
1.04	AK25	AK26	1.11	AK89	AK99	1.20	AK25	AK30	1.29	AK89	AK114	1.39	AK28	AK41
1.04	AK24	AK25	1.12	AK71	AK79	1.20	AK35	AK44	1.29	AK71	AK91	1.39	AK61	AK84
1.04	AK49	AK51	1.12	AK25	AK28	1.20	AK91	AK109	1.29	AK81	AK104	1.39	AK79	AK109
1.04	AK23	AK24	1.12	AK44	AK49	1.20	AK66	AK79	1.29	AK34	AK46	1.39	AK15	AK21
1.04	AK71	AK74	1.12	AK16	AK18	1.20	AK51	AK61	1.29	AK27	AK35	1.39	AK66	AK91
1.04	AK22	AK23	1.12	AK84	AK94	1.20	AK41	AK49	1.29	AK46	AK59	1.39	AK20	AK28
1.05	AK21	AK22	1.12	AK59	AK66	1.21	AK19	AK23	1.29	AK20	AK26	1.39	AK25	AK35
1.05	AK66	AK69	1.12	AK24	AK27	1.21	AK74	AK89	1.30	AK30	AK41	1.39	AK30	AK44
1.05	AK44	AK46	1.12	AK66	AK74	1.21	AK59	AK71	1.30	AK69	AK89	1.39	AK35	AK51
1.05	AK20	AK21	1.13	AK81	AK91	1.21	AK28	AK34	1.30	AK23	AK30	1.40	AK17	AK24

# Drive Ratios Using 4L, AP & AX Belts In AK Sheaves

Ratio	DR	DN	Ratio	DR	DN	Ratio	DR	DN	Ratio	DR	DN	Ratio	DR	DN
1.40	AK39	AK54	1.51	AK54	AK81	1.63	AK46	AK74	1.76	AK54	AK94	1.92	AK32	AK64
1.40	AK44	AK61	1.51	AK89	AK134	1.63	AK49	AK79	1.76	AK71	AK124	1.93	AK20	AK41
1.40	AK64	AK89	1.51	AK17	AK26	1.63	AK41	AK66	1.77	AK51	AK89	1.93	AK39	AK74
1.40	AK89	AK124	1.52	AK15	AK23	1.64	AK44	AK71	1.77	AK19	AK34	1.94	AK24	AK49
1.40	AK71	AK99	1.52	AK46	AK69	1.64	AK61	AK99	1.77	AK32	AK59	1.94	AK25	AK51
1.40	AK51	AK71	1.52	AK44	AK66	1.64	AK64	AK104	1.77	AK15	AK27	1.94	AK44	AK84
1.40	AK46	AK64	1.52	AK69	AK104	1.64	AK56	AK91	1.78	AK59	AK104	1.95	AK49	AK94
1.41	AK24	AK34	1.52	AK34	AK54	1.65	AK15	AK25	1.79	AK46	AK81	1.95	AK30	AK61
1.41	AK19	AK27	1.52	AK59	AK89	1.65	AK18	AK30	1.79	AK30	AK56	1.95	AK54	AK104
1.41	AK74	AK104	1.52	AK32	AK51	1.65	AK94	AK154	1.79	AK56	AK99	1.96	AK34	AK69
1.42	AK26	AK39	1.53	AK49	AK74	1.65	AK21	AK35	1.79	AK26	AK49	1.96	AK59	AK114
1.42	AK81	AK114	1.53	AK24	AK39	1.67	AK16	AK27	1.79	AK81	AK144	1.96	AK35	AK71
1.42	AK21	AK30	1.53	AK22	AK34	1.67	AK19	AK32	1.80	AK27	AK51	1.96	AK64	AK124
1.42	AK49	AK69	1.53	AK39	AK59	1.67	AK22	AK39	1.80	AK39	AK69	1.96	AK41	AK79
1.42	AK56	AK79	1.54	AK35	AK56	1.67	AK25	AK44	1.80	AK64	AK114	1.96	AK69	AK134
1.42	AK16	AK23	1.54	AK18	AK28	1.67	AK28	AK49	1.81	AK61	AK109	1.97	AK74	AK144
1.43	AK64	AK91	1.54	AK94	AK144	1.67	AK34	AK59	1.81	AK51	AK91	1.97	AK46	AK89
1.43	AK18	AK26	1.54	AK81	AK124	1.67	AK39	AK64	1.81	AK23	AK44	1.97	AK15	AK30
1.43	AK94	AK134	1.55	AK16	AK25	1.67	AK51	AK84	1.81	AK34	AK64	1.97	AK79	AK154
1.43	AK66	AK94	1.55	AK27	AK44	1.67	AK54	AK89	1.81	AK69	AK124	1.97	AK16	AK32
1.43	AK34	AK51	1.55	AK71	AK109	1.67	AK66	AK109	1.82	AK24	AK46	1.97	AK51	AK99
1.43	AK59	AK84	1.55	AK25	AK41	1.67	AK69	AK114	1.82	AK35	AK66	1.97	AK17	AK34
1.44	AK27	AK41	1.55	AK74	AK114	1.67	AK81	AK134	1.82	AK19	AK35	1.97	AK56	AK109
1.44	AK22	AK32	1.55	AK61	AK94	1.67	AK49	AK81	1.82	AK44	AK79	1.97	AK94	AK184
1.44	AK69	AK99	1.56	AK59	AK91	1.68	AK35	AK61	1.83	AK74	AK134	1.98	AK21	AK44
1.45	AK24	AK35	1.56	AK30	AK49	1.68	AK32	AK56	1.83	AK20	AK39	1.98	AK22	AK46
1.45	AK46	AK66	1.56	AK64	AK99	1.68	AK26	AK46	1.83	AK32	AK61	1.98	AK26	AK54
1.45	AK15	AK22	1.56	AK28	AK46	1.68	AK23	AK41	1.84	AK41	AK74	1.98	AK27	AK56
1.45	AK79	AK114	1.56	AK46	AK71	1.68	AK20	AK34	1.84	AK21	AK41	1.98	AK32	AK66
1.45	AK39	AK56	1.56	AK19	AK30	1.69	AK74	AK124	1.84	AK15	AK28	2.01	AK46	AK91
1.46	AK41	AK59	1.57	AK51	AK79	1.70	AK59	AK99	1.84	AK79	AK144	2.01	AK41	AK81
1.46	AK17	AK25	1.57	AK17	AK27	1.70	AK56	AK94	1.84	AK28	AK54	2.01	AK34	AK71
1.46	AK56	AK81	1.57	AK54	AK84	1.70	AK91	AK154	1.84	AK49	AK89	2.02	AK28	AK59
1.46	AK30	AK46	1.58	AK22	AK35	1.70	AK54	AK91	1.85	AK16	AK70	2.02	AK24	AK51
1.46	AK19	AK28	1.58	AK34	AK56	1.71	AK44	AK74	1.85	AK84	AK154	2.02	AK23	AK49
1.46	AK32	AK49	1.58	AK15	AK24	1.71	AK41	AK69	1.85	AK39	AK71	2.03	AK19	AK41
1.46	AK49	AK71	1.58	AK79	AK124	1.71	AK79	AK134	1.85	AK46	AK84	2.03	AK18	AK39
1.46	AK51	AK74	1.58	AK41	AK64	1.71	AK15	AK26	1.86	AK17	AK32	2.03	AK17	AK35
1.47	AK23	AK34	1.59	AK20	AK32	1.72	AK39	AK66	1.86	AK54	AK99	2.04	AK91	AK184
1.47	AK25	AK39	1.59	AK39	AK61	1.72	AK64	AK109	1.86	AK25	AK49	2.04	AK35	AK74
1.47	AK44	AK64	1.59	AK44	AK69	1.72	AK30	AK54	1.86	AK18	AK34	2.05	AK54	AK109
1.47	AK61	AK89	1.59	AK66	AK104	1.72	AK61	AK104	1.87	AK26	AK51	2.05	AK30	AK64
1.47	AK71	AK104	1.59	AK91	AK144	1.72	AK34	AK61	1.87	AK51	AK94	2.05	AK71	AK144
1.48	AK54	AK79	1.59	AK69	AK109	1.73	AK16	AK28	1.87	AK34	AK66	2.05	AK49	AK99
1.48	AK35	AK54	1.60	AK23	AK39	1.73	AK27	AK49	1.87	AK59	AK109	2.05	AK66	AK134
1.48	AK64	AK94	1.60	AK26	AK44	1.73	AK84	AK144	1.87	AK44	AK81	2.06	AK26	AK56
1.48	AK91	AK134	1.60	AK21	AK34	1.73	AK20	AK35	1.88	AK56	AK104	2.06	AK25	AK54
1.48	AK74	AK109	1.61	AK56	AK89	1.73	AK24	AK44	1.88	AK49	AK91	2.06	AK44	AK89
1.48	AK16	AK24	1.61	AK16	AK26	1.74	AK28	AK51	1.89	AK30	AK59	2.06	AK61	AK124
1.48	AK84	AK124	1.61	AK51	AK81	1.74	AK49	AK84	1.89	AK22	AK44	2.06	AK56	AK114
1.49	AK18	AK27	1.61	AK84	AK134	1.74	AK46	AK79	1.89	AK61	AK114	2.07	AK39	AK79
1.49	AK20	AK30	1.61	AK59	AK94	1.74	AK17	AK30	1.89	AK23	AK46	2.07	AK21	AK46
1.49	AK26	AK41	1.61	AK24	AK41	1.74	AK89	AK154	1.90	AK66	AK124	2.07	AK51	AK104
1.49	AK28	AK44	1.62	AK32	AK54	1.74	AK21	AK39	1.90	AK35	AK69	2.07	AK20	AK44
1.50	AK61	AK91	1.62	AK27	AK46	1.74	AK66	AK114	1.91	AK71	AK134	2.08	AK32	AK69
1.51	AK41	AK61	1.62	AK71	AK114	1.75	AK25	AK46	1.91	AK27	AK54	2.08	AK46	AK94
1.51	AK23	AK35	1.62	AK35	AK59	1.76	AK22	AK41	1.91	AK28	AK56	2.09	AK89	AK184
1.51	AK21	AK32	1.62	AK30	AK51	1.76	AK18	AK32	1.92	AK81	AK154	2.09	AK28	AK61
1.51	AK66	AK99	1.63	AK17	AK28	1.76	AK41	AK71	1.92	AK18	AK35	2.09	AK41	AK84
1.51	AK56	AK84	1.63	AK89	AK144	1.76	AK35	AK64	1.92	AK19	AK39	2.09	AK27	AK59

# Drive Ratios Using 4L, AP & AX Belts In AK Sheaves

Ratio	DR	DN	Ratio	DR	DN	Ratio	DR	DN	Ratio	DR	DN	Ratio	DR	DN
2.09	AK16	AK34	2.30	AK81	AK184	2.54	AK19	AK51	2.83	AK34	AK99	3.15	AK20	AK66
2.10	AK15	AK32	2.30	AK18	AK44	2.54	AK32	AK84	2.83	AK17	AK51	3.15	AK32	AK104
2.10	AK34	AK74	2.30	AK21	AK51	2.54	AK30	AK79	2.83	AK66	AK184	3.16	AK24	AK79
2.10	AK74	AK154	2.30	AK46	AK104	2.54	AK17	AK46	2.84	AK24	AK71	3.17	AK35	AK114
2.11	AK44	AK91	2.30	AK34	AK81	2.54	AK28	AK74	2.84	AK18	AK54	3.17	AK59	AK184
2.11	AK23	AK51	2.30	AK59	AK134	2.55	AK26	AK69	2.84	AK25	AK74	3.18	AK16	AK54
2.11	AK22	AK49	2.32	AK20	AK49	2.55	AK15	AK41	2.85	AK32	AK94	3.18	AK27	AK89
2.11	AK69	AK144	2.32	AK23	AK56	2.55	AK24	AK64	2.85	AK41	AK114	3.19	AK15	AK51
2.11	AK30	AK66	2.32	AK35	AK84	2.56	AK22	AK59	2.87	AK22	AK66	3.20	AK30	AK99
2.12	AK39	AK81	2.33	AK22	AK54	2.56	AK20	AK54	2.87	AK39	AK109	3.20	AK46	AK144
2.12	AK64	AK134	2.33	AK25	AK61	2.56	AK61	AK154	2.87	AK30	AK89	3.21	AK19	AK64
2.13	AK59	AK124	2.33	AK39	AK89	2.57	AK18	AK49	2.87	AK15	AK46	3.21	AK49	AK154
2.14	AK18	AK41	2.33	AK54	AK124	2.58	AK16	AK44	2.87	AK23	AK69	3.22	AK18	AK61
2.14	AK25	AK56	2.34	AK41	AK94	2.58	AK49	AK124	2.88	AK16	AK49	3.22	AK22	AK74
2.14	AK32	AK71	2.35	AK27	AK66	2.59	AK34	AK91	2.88	AK51	AK144	3.23	AK21	AK71
2.14	AK17	AK39	2.35	AK24	AK59	2.59	AK41	AK104	2.88	AK44	AK124	3.24	AK25	AK84
2.14	AK24	AK54	2.35	AK79	AK184	2.60	AK39	AK99	2.89	AK35	AK104	3.24	AK24	AK81
2.14	AK54	AK114	2.36	AK26	AK64	2.61	AK35	AK94	2.89	AK27	AK81	3.25	AK28	AK94
2.15	AK16	AK35	2.36	AK66	AK154	2.61	AK30	AK81	2.89	AK28	AK84	3.25	AK27	AK91
2.16	AK49	AK104	2.37	AK28	AK69	2.61	AK56	AK144	2.90	AK20	AK61	3.26	AK34	AK114
2.16	AK27	AK61	2.37	AK49	AK114	2.62	AK26	AK71	2.90	AK54	AK154	3.27	AK39	AK124
2.17	AK26	AK59	2.38	AK30	AK74	2.63	AK71	AK184	2.91	AK21	AK64	3.29	AK17	AK59
2.17	AK20	AK46	2.38	AK32	AK79	2.63	AK24	AK66	2.92	AK64	AK184	3.29	AK20	AK69
2.17	AK51	AK109	2.39	AK39	AK91	2.64	AK27	AK74	2.92	AK26	AK79	3.30	AK23	AK79
2.18	AK44	AK94	2.39	AK34	AK84	2.64	AK22	AK61	2.93	AK30	AK91	3.30	AK26	AK89
2.18	AK19	AK44	2.39	AK16	AK41	2.65	AK44	AK114	2.95	AK18	AK56	3.30	AK16	AK56
2.18	AK35	AK79	2.39	AK61	AK144	2.65	AK25	AK69	2.95	AK19	AK59	3.31	AK19	AK66
2.19	AK46	AK99	2.41	AK18	AK46	2.65	AK59	AK154	2.96	AK23	AK71	3.31	AK32	AK109
2.19	AK28	AK64	2.41	AK44	AK104	2.66	AK20	AK56	2.96	AK24	AK74	3.35	AK56	AK184
2.19	AK71	AK154	2.41	AK20	AK51	2.66	AK23	AK64	2.97	AK34	AK104	3.35	AK44	AK144
2.20	AK22	AK51	2.42	AK46	AK109	2.67	AK21	AK59	2.98	AK46	AK134	3.35	AK41	AK134
2.20	AK39	AK84	2.42	AK15	AK39	2.68	AK18	AK51	3.00	AK21	AK66	3.36	AK30	AK104
2.21	AK21	AK49	2.42	AK22	AK56	2.68	AK51	AK134	3.00	AK26	AK81	3.36	AK27	AK94
2.21	AK66	AK144	2.43	AK24	AK61	2.68	AK34	AK94	3.00	AK16	AK51	3.37	AK24	AK84
2.21	AK84	AK184	2.43	AK17	AK44	2.69	AK19	AK54	3.00	AK17	AK54	3.37	AK21	AK74
2.21	AK30	AK69	2.43	AK56	AK134	2.69	AK32	AK89	3.00	AK22	AK69	3.38	AK26	AK91
2.22	AK41	AK89	2.43	AK26	AK66	2.70	AK16	AK46	3.00	AK27	AK84	3.38	AK18	AK64
2.22	AK24	AK56	2.44	AK19	AK49	2.70	AK69	AK184	3.00	AK32	AK99	3.38	AK23	AK81
2.23	AK15	AK34	2.44	AK28	AK71	2.70	AK30	AK84	3.00	AK39	AK114	3.39	AK15	AK54
2.23	AK61	AK134	2.44	AK64	AK154	2.71	AK17	AK49	3.00	AK49	AK144	3.39	AK20	AK71
2.23	AK32	AK74	2.44	AK21	AK54	2.71	AK54	AK144	3.03	AK35	AK109	3.40	AK17	AK61
2.23	AK23	AK54	2.45	AK32	AK81	2.72	AK28	AK79	3.03	AK30	AK94	3.42	AK28	AK99
2.24	AK35	AK81	2.45	AK23	AK59	2.72	AK41	AK109	3.04	AK25	AK79	3.43	AK46	AK154
2.25	AK26	AK61	2.45	AK25	AK64	2.73	AK25	AK71	3.05	AK20	AK64	3.43	AK25	AK89
2.25	AK34	AK79	2.45	AK27	AK69	2.73	AK39	AK104	3.05	AK19	AK61	3.44	AK22	AK79
2.25	AK56	AK124	2.46	AK35	AK89	2.74	AK26	AK74	3.06	AK15	AK49	3.45	AK35	AK124
2.25	AK25	AK59	2.47	AK39	AK94	2.74	AK15	AK44	3.07	AK61	AK184	3.46	AK19	AK69
2.26	AK17	AK41	2.47	AK41	AK99	2.74	AK23	AK66	3.07	AK28	AK89	3.46	AK32	AK114
2.26	AK69	AK154	2.47	AK51	AK124	2.75	AK35	AK99	3.08	AK51	AK154	3.48	AK54	AK184
2.26	AK28	AK66	2.48	AK59	AK144	2.75	AK46	AK124	3.09	AK23	AK74	3.48	AK16	AK59
2.26	AK49	AK109	2.52	AK74	AK184	2.75	AK32	AK91	3.09	AK22	AK71	3.49	AK18	AK66
2.27	AK41	AK91	2.52	AK35	AK91	2.76	AK24	AK69	3.10	AK41	AK124	3.49	AK26	AK94
2.27	AK16	AK39	2.52	AK54	AK134	2.77	AK21	AK61	3.11	AK18	AK59	3.51	AK25	AK91
2.27	AK27	AK64	2.53	AK27	AK71	2.78	AK22	AK64	3.11	AK26	AK84	3.51	AK23	AK84
2.27	AK51	AK114	2.53	AK46	AK114	2.79	AK28	AK81	3.11	AK17	AK56	3.52	AK15	AK56
2.28	AK30	AK71	2.53	AK25	AK66	2.79	AK49	AK134	3.12	AK34	AK109	3.52	AK30	AK109
2.28	AK64	AK144	2.53	AK44	AK109	2.79	AK19	AK56	3.12	AK25	AK81	3.53	AK22	AK81
2.28	AK19	AK46	2.53	AK23	AK61	2.80	AK56	AK154	3.12	AK44	AK134	3.53	AK39	AK134
2.29	AK15	AK35	2.53	AK21	AK56	2.80	AK20	AK59	3.14	AK21	AK69	3.54	AK20	AK74
2.29	AK44	AK99	2.54	AK34	AK89	2.82	AK27	AK79	3.14	AK28	AK91	3.55	AK27	AK99

# Drive Ratios Using 4L, AP & AX Belts In AK Sheaves

Ratio	DR	DN	Ratio	DR	DN	Ratio	DR	DN	Ratio	DR	DN	Ratio	DR	DN
3.55	AK34	AK124	3.97	AK19	AK79	4.48	AK15	AK71	5.24	AK20	AK109	6.49	AK23	AK154
3.56	AK19	AK71	3.98	AK22	AK91	4.49	AK19	AK89	5.26	AK19	AK104	6.52	AK16	AK109
3.57	AK17	AK64	3.98	AK24	AK99	4.51	AK20	AK94	5.27	AK18	AK99	6.61	AK15	AK104
3.57	AK24	AK89	4.01	AK35	AK144	4.53	AK21	AK99	5.29	AK17	AK94	6.62	AK18	AK124
3.59	AK44	AK154	4.02	AK30	AK124	4.54	AK17	AK81	5.29	AK34	AK184	6.63	AK21	AK144
3.60	AK28	AK104	4.02	AK25	AK104	4.56	AK22	AK104	5.30	AK16	AK89	6.64	AK27	AK184
3.60	AK21	AK79	4.02	AK20	AK84	4.57	AK23	AK109	5.32	AK15	AK84	6.78	AK22	AK154
3.61	AK16	AK61	4.03	AK15	AK64	4.59	AK19	AK91	5.35	AK28	AK154	6.79	AK19	AK134
3.61	AK41	AK144	4.06	AK26	AK109	4.59	AK24	AK114	5.38	AK26	AK144	6.82	AK16	AK114
3.63	AK25	AK94	4.07	AK39	AK154	4.62	AK41	AK184	5.41	AK24	AK134	6.89	AK26	AK184
3.65	AK18	AK69	4.07	AK21	AK89	4.62	AK26	AK124	5.42	AK16	AK91	6.94	AK15	AK109
3.65	AK24	AK91	4.08	AK19	AK81	4.65	AK28	AK134	5.44	AK22	AK124	6.95	AK20	AK144
3.67	AK22	AK84	4.08	AK32	AK134	4.67	AK30	AK144	5.49	AK20	AK114	7.00	AK17	AK124
3.68	AK26	AK99	4.09	AK16	AK69	4.68	AK15	AK74	5.51	AK19	AK109	7.09	AK21	AK154
3.69	AK17	AK66	4.09	AK27	AK114	4.69	AK32	AK154	5.54	AK18	AK104	7.16	AK25	AK184
3.69	AK51	AK184	4.10	AK46	AK184	4.70	AK16	AK79	5.55	AK27	AK154	7.16	AK18	AK134
3.69	AK30	AK114	4.11	AK22	AK94	4.71	AK17	AK84	5.57	AK17	AK99	7.26	AK15	AK114
3.70	AK21	AK81	4.13	AK34	AK144	4.73	AK18	AK89	5.59	AK25	AK144	7.31	AK19	AK144
3.71	AK15	AK59	4.14	AK17	AK74	4.74	AK19	AK94	5.61	AK16	AK94	7.42	AK16	AK124
3.72	AK19	AK74	4.15	AK23	AK99	4.76	AK20	AK99	5.62	AK32	AK184	7.44	AK20	AK154
3.72	AK23	AK89	4.16	AK15	AK66	4.77	AK21	AK104	5.64	AK23	AK134	7.45	AK24	AK184
3.73	AK27	AK104	4.16	AK21	AK91	4.78	AK22	AK109	5.65	AK15	AK89	7.57	AK17	AK134
3.73	AK35	AK134	4.18	AK24	AK104	4.79	AK23	AK114	5.70	AK21	AK124	7.70	AK18	AK144
3.76	AK18	AK71	4.19	AK18	AK79	4.80	AK25	AK124	5.75	AK26	AK154	7.77	AK23	AK184
3.77	AK32	AK124	4.21	AK16	AK71	4.82	AK16	AK81	5.77	AK19	AK114	7.82	AK19	AK154
3.77	AK28	AK109	4.22	AK25	AK109	4.82	AK27	AK134	5.77	AK15	AK91	7.90	AK15	AK124
3.78	AK24	AK94	4.23	AK19	AK84	4.84	AK18	AK91	5.81	AK18	AK109	8.03	AK16	AK134
3.78	AK20	AK79	4.25	AK26	AK114	4.87	AK39	AK184	5.82	AK24	AK144	8.11	AK22	AK184
3.79	AK16	AK64	4.27	AK20	AK89	5.00	AK15	AK79	5.86	AK17	AK104	8.14	AK17	AK144
3.80	AK39	AK144	4.29	AK44	AK184	5.00	AK16	AK84	5.89	AK22	AK134	8.24	AK18	AK154
3.81	AK23	AK91	4.30	AK35	AK154	5.00	AK17	AK89	5.91	AK16	AK99	8.49	AK21	AK184
3.82	AK25	AK99	4.30	AK18	AK81	5.00	AK18	AK94	5.97	AK15	AK94	8.55	AK15	AK134
3.84	AK21	AK84	4.30	AK28	AK124	5.00	AK19	AK99	5.98	AK20	AK124	8.64	AK16	AK144
3.84	AK15	AK61	4.30	AK21	AK94	5.00	AK20	AK104	5.98	AK25	AK154	8.71	AK17	AK154
3.84	AK34	AK134	4.33	AK22	AK99	5.00	AK21	AK109	5.98	AK30	AK184	8.90	AK20	AK184
3.84	AK49	AK184	4.34	AK30	AK134	5.00	AK22	AK114	6.06	AK23	AK144	9.19	AK15	AK144
3.86	AK17	AK69	4.35	AK15	AK69	5.00	AK24	AK124	6.08	AK18	AK114	9.24	AK16	AK154
3.86	AK41	AK154	4.36	AK23	AK104	5.00	AK26	AK134	6.14	AK17	AK109	9.36	AK19	AK184
3.87	AK26	AK104	4.37	AK20	AK91	5.00	AK28	AK144	6.16	AK21	AK134	9.84	AK15	AK154
3.88	AK20	AK81	4.38	AK32	AK144	5.00	AK30	AK154	6.21	AK16	AK104	9.86	AK18	AK184
3.89	AK22	AK89	4.39	AK24	AK109	5.11	AK17	AK91	6.22	AK24	AK154	10.43	AK17	AK184
3.91	AK16	AK66	4.39	AK16	AK74	5.13	AK15	AK81	6.28	AK19	AK124	11.06	AK16	AK184
3.91	AK27	AK109	4.41	AK25	AK114	5.14	AK35	AK184	6.29	AK15	AK99	11.77	AK15	AK184
3.92	AK18	AK74	4.42	AK34	AK154	5.18	AK27	AK144	6.33	AK22	AK144			
3.94	AK23	AK94	4.43	AK17	AK79	5.20	AK25	AK134	6.40	AK28	AK184			
3.95	AK28	AK114	4.45	AK27	AK124	5.21	AK23	AK124	6.43	AK17	AK114			
3.97	AK17	AK71	4.46	AK18	AK84	5.23	AK21	AK114	6.46	AK20	AK134			



# Drive Ratios Using 4L, AP & AX Belts In BK Sheaves

Ratio	DR	DN	Ratio	DR	DN	Ratio	DR	DN	Ratio	DR	DN	Ratio	DR	DN
1.00	BK24	BK24	1.07	BK32	BK34	1.18	BK90	BK105	1.30	BK90	BK115	1.44	BK75	BK105
1.00	BK25	BK25	1.07	BK75	BK80	1.18	BK62	BK72	1.30	BK57	BK72	1.45	BK52	BK72
1.00	BK26	BK26	1.08	BK30	BK32	1.18	BK36	BK46	1.31	BK36	BK50	1.45	BK85	BK120
1.00	BK27	BK27	1.08	BK47	BK50	1.19	BK45	BK52	1.32	BK32	BK45	1.45	BK30	BK46
1.00	BK28	BK28	1.08	BK72	BK77	1.19	BK77	BK90	1.32	BK55	BK70	1.45	BK45	BK62
1.00	BK30	BK30	1.08	BK45	BK48	1.19	BK60	BK70	1.32	BK45	BK57	1.46	BK47	BK65
1.00	BK32	BK32	1.08	BK70	BK75	1.19	BK85	BK100	1.32	BK70	BK90	1.46	BK34	BK52
1.00	BK34	BK34	1.08	BK28	BK30	1.20	BK24	BK28	1.32	BK85	BK110	1.46	BK36	BK55
1.00	BK36	BK36	1.08	BK67	BK72	1.20	BK72	BK85	1.32	BK60	BK77	1.46	BK55	BK77
1.00	BK40	BK40	1.09	BK40	BK45	1.20	BK57	BK67	1.32	BK100	BK130	1.46	BK57	BK80
1.00	BK45	BK45	1.09	BK65	BK70	1.20	BK47	BK55	1.33	BK25	BK32	1.47	BK27	BK40
1.00	BK46	BK46	1.09	BK26	BK28	1.21	BK80	BK95	1.33	BK28	BK36	1.47	BK48	BK67
1.00	BK47	BK47	1.09	BK62	BK67	1.21	BK65	BK77	1.33	BK34	BK48	1.47	BK50	BK70
1.00	BK48	BK48	1.09	BK25	BK27	1.21	BK32	BK40	1.33	BK47	BK60	1.47	BK67	BK95
1.00	BK50	BK50	1.10	BK60	BK65	1.21	BK55	BK65	1.33	BK62	BK80	1.47	BK77	BK110
1.00	BK52	BK52	1.10	BK24	BK26	1.21	BK27	BK32	1.33	BK77	BK100	1.48	BK60	BK85
1.00	BK55	BK55	1.10	BK48	BK52	1.22	BK36	BK47	1.34	BK52	BK67	1.48	BK70	BK100
1.00	BK57	BK57	1.10	BK57	BK62	1.22	BK100	BK120	1.34	BK80	BK105	1.48	BK80	BK115
1.00	BK60	BK60	1.10	BK46	BK50	1.22	BK67	BK80	1.35	BK48	BK62	1.48	BK90	BK130
1.00	BK62	BK62	1.11	BK55	BK60	1.22	BK48	BK57	1.35	BK65	BK85	1.49	BK24	BK34
1.00	BK65	BK65	1.11	BK100	BK110	1.22	BK75	BK90	1.35	BK32	BK46	1.49	BK30	BK47
1.00	BK67	BK67	1.11	BK70	BK77	1.22	BK52	BK62	1.35	BK50	BK65	1.49	BK32	BK50
1.00	BK70	BK70	1.11	BK52	BK57	1.23	BK30	BK36	1.36	BK26	BK34	1.49	BK46	BK65
1.00	BK72	BK72	1.11	BK95	BK105	1.23	BK60	BK72	1.36	BK72	BK95	1.51	BK47	BK67
1.00	BK75	BK75	1.12	BK77	BK85	1.23	BK95	BK115	1.36	BK55	BK72	1.51	BK25	BK36
1.00	BK77	BK77	1.12	BK40	BK46	1.23	BK34	BK45	1.36	BK46	BK60	1.51	BK72	BK105
1.00	BK80	BK80	1.12	BK50	BK55	1.23	BK40	BK50	1.36	BK57	BK75	1.51	BK62	BK90
1.00	BK85	BK85	1.12	BK90	BK100	1.23	BK25	BK30	1.36	BK90	BK120	1.51	BK95	BK140
1.00	BK90	BK90	1.12	BK65	BK72	1.23	BK46	BK55	1.37	BK36	BK52	1.52	BK52	BK75
1.00	BK95	BK95	1.12	BK72	BK80	1.24	BK50	BK60	1.37	BK75	BK100	1.52	BK50	BK72
1.00	BK100	BK100	1.13	BK47	BK52	1.24	BK62	BK75	1.38	BK40	BK55	1.52	BK75	BK110
1.03	BK47	BK48	1.13	BK27	BK30	1.24	BK70	BK85	1.38	BK47	BK62	1.52	BK40	BK60
1.03	BK46	BK47	1.13	BK85	BK95	1.24	BK90	BK110	1.38	BK60	BK80	1.52	BK65	BK95
1.03	BK45	BK46	1.13	BK34	BK40	1.24	BK28	BK34	1.38	BK27	BK36	1.52	BK36	BK57
1.03	BK75	BK77	1.13	BK45	BK50	1.25	BK36	BK48	1.39	BK32	BK47	1.53	BK55	BK80
1.03	BK70	BK72	1.13	BK60	BK67	1.25	BK55	BK67	1.39	BK67	BK90	1.53	BK30	BK48
1.03	BK65	BK67	1.13	BK67	BK75	1.25	BK47	BK57	1.39	BK85	BK115	1.53	BK28	BK45
1.04	BK60	BK62	1.14	BK80	BK90	1.26	BK85	BK105	1.39	BK24	BK32	1.53	BK26	BK40
1.04	BK55	BK57	1.14	BK25	BK28	1.26	BK77	BK95	1.39	BK34	BK50	1.53	BK45	BK65
1.04	BK27	BK28	1.14	BK32	BK36	1.26	BK65	BK80	1.40	BK45	BK60	1.54	BK48	BK70
1.04	BK77	BK80	1.14	BK40	BK47	1.26	BK34	BK46	1.40	BK50	BK67	1.55	BK46	BK67
1.04	BK26	BK27	1.15	BK24	BK27	1.26	BK57	BK70	1.40	BK70	BK95	1.55	BK77	BK115
1.05	BK25	BK26	1.15	BK62	BK70	1.27	BK26	BK32	1.40	BK95	BK130	1.55	BK80	BK120
1.05	BK72	BK75	1.15	BK55	BK62	1.27	BK45	BK55	1.40	BK77	BK105	1.55	BK67	BK100
1.05	BK50	BK52	1.15	BK75	BK85	1.28	BK62	BK77	1.40	BK57	BK77	1.56	BK34	BK55
1.05	BK24	BK25	1.15	BK30	BK34	1.28	BK80	BK100	1.40	BK52	BK70	1.56	BK70	BK105
1.05	BK48	BK50	1.15	BK36	BK45	1.28	BK72	BK90	1.41	BK28	BK40	1.56	BK32	BK52
1.05	BK67	BK70	1.16	BK46	BK52	1.28	BK50	BK62	1.41	BK80	BK110	1.56	BK52	BK77
1.05	BK46	BK48	1.16	BK70	BK80	1.29	BK46	BK57	1.42	BK30	BK45	1.57	BK57	BK85
1.05	BK45	BK47	1.16	BK57	BK65	1.29	BK60	BK75	1.42	BK46	BK62	1.57	BK28	BK46
1.05	BK100	BK105	1.16	BK100	BK115	1.29	BK95	BK120	1.42	BK25	BK34	1.57	BK60	BK90
1.06	BK62	BK65	1.16	BK28	BK32	1.29	BK40	BK52	1.42	BK48	BK65	1.58	BK40	BK62
1.06	BK95	BK100	1.16	BK50	BK57	1.29	BK52	BK65	1.42	BK55	BK75	1.58	BK85	BK130
1.06	BK90	BK95	1.17	BK67	BK77	1.29	BK24	BK30	1.42	BK32	BK48	1.58	BK47	BK70
1.06	BK57	BK60	1.17	BK95	BK110	1.30	BK34	BK47	1.42	BK62	BK85	1.59	BK24	BK36
1.06	BK36	BK40	1.17	BK48	BK55	1.30	BK48	BK60	1.43	BK100	BK140	1.59	BK45	BK67
1.06	BK85	BK90	1.17	BK65	BK75	1.30	BK75	BK95	1.43	BK72	BK100	1.59	BK50	BK75
1.07	BK34	BK36	1.17	BK40	BK48	1.30	BK27	BK34	1.43	BK40	BK57	1.59	BK72	BK110
1.07	BK52	BK55	1.18	BK26	BK30	1.30	BK30	BK40	1.43	BK65	BK90	1.59	BK48	BK72
1.07	BK80	BK85	1.18	BK52	BK60	1.30	BK67	BK85	1.44	BK26	BK36	1.59	BK75	BK115

# Drive Ratios Using 4L, AP & AX Belts In BK Sheaves

Ratio	DR	DN	Ratio	DR	DN	Ratio	DR	DN	Ratio	DR	DN	Ratio	DR	DN
1.60	BK27	BK45	1.77	BK57	BK95	1.97	BK57	BK105	2.23	BK27	BK60	2.56	BK26	BK65
1.60	BK30	BK50	1.77	BK36	BK65	1.97	BK62	BK115	2.25	BK30	BK67	2.56	BK24	BK60
1.60	BK25	BK40	1.78	BK65	BK110	1.97	BK100	BK190	2.25	BK40	BK85	2.56	BK67	BK160
1.61	BK62	BK95	1.79	BK34	BK62	1.98	BK24	BK48	2.25	BK62	BK130	2.58	BK55	BK130
1.61	BK90	BK140	1.79	BK62	BK105	1.98	BK25	BK50	2.26	BK75	BK160	2.59	BK47	BK110
1.61	BK65	BK100	1.79	BK48	BK80	1.98	BK26	BK52	2.26	BK32	BK72	2.60	BK45	BK105
1.61	BK28	BK47	1.79	BK25	BK46	1.98	BK30	BK60	2.26	BK55	BK115	2.62	BK30	BK77
1.62	BK36	BK60	1.79	BK30	BK55	1.98	BK36	BK72	2.27	BK46	BK95	2.63	BK77	BK190
1.62	BK77	BK120	1.80	BK26	BK48	2.01	BK46	BK85	2.27	BK57	BK120	2.63	BK28	BK72
1.62	BK34	BK57	1.80	BK45	BK75	2.01	BK40	BK77	2.28	BK34	BK77	2.64	BK26	BK67
1.62	BK46	BK70	1.80	BK70	BK120	2.02	BK32	BK65	2.28	BK48	BK100	2.65	BK50	BK120
1.63	BK52	BK80	1.81	BK46	BK77	2.02	BK28	BK57	2.29	BK50	BK105	2.65	BK65	BK160
1.63	BK55	BK85	1.81	BK67	BK115	2.02	BK27	BK55	2.30	BK25	BK57	2.65	BK48	BK115
1.63	BK47	BK72	1.81	BK27	BK50	2.04	BK48	BK90	2.30	BK52	BK110	2.66	BK24	BK62
1.64	BK50	BK77	1.81	BK40	BK70	2.05	BK60	BK115	2.30	BK65	BK140	2.66	BK27	BK70
1.64	BK27	BK46	1.81	BK75	BK130	2.05	BK34	BK70	2.32	BK24	BK55	2.66	BK46	BK110
1.64	BK67	BK105	1.82	BK28	BK52	2.05	BK55	BK105	2.32	BK27	BK62	2.67	BK25	BK65
1.64	BK70	BK110	1.82	BK50	BK85	2.05	BK72	BK140	2.33	BK26	BK60	2.68	BK57	BK140
1.65	BK100	BK160	1.83	BK80	BK140	2.06	BK30	BK62	2.33	BK45	BK95	2.68	BK40	BK100
1.65	BK28	BK48	1.83	BK24	BK45	2.06	BK50	BK95	2.33	BK60	BK130	2.69	BK36	BK95
1.67	BK26	BK45	1.83	BK36	BK67	2.06	BK67	BK130	2.34	BK47	BK100	2.70	BK75	BK190
1.67	BK32	BK55	1.84	BK47	BK80	2.06	BK62	BK120	2.35	BK28	BK65	2.70	BK34	BK90
1.67	BK40	BK65	1.84	BK25	BK47	2.07	BK45	BK85	2.35	BK85	BK190	2.72	BK32	BK85
1.67	BK45	BK70	1.84	BK32	BK60	2.07	BK25	BK52	2.36	BK30	BK70	2.72	BK47	BK115
1.67	BK48	BK75	1.84	BK55	BK95	2.07	BK57	BK110	2.36	BK72	BK160	2.73	BK45	BK110
1.67	BK57	BK90	1.85	BK90	BK160	2.07	BK24	BK50	2.37	BK32	BK75	2.74	BK30	BK80
1.67	BK60	BK95	1.85	BK45	BK77	2.08	BK36	BK75	2.37	BK55	BK120	2.74	BK27	BK72
1.67	BK72	BK115	1.85	BK52	BK90	2.08	BK52	BK100	2.38	BK34	BK80	2.75	BK52	BK130
1.67	BK75	BK120	1.86	BK60	BK105	2.09	BK95	BK190	2.38	BK36	BK85	2.76	BK28	BK75
1.68	BK46	BK72	1.87	BK30	BK57	2.09	BK32	BK67	2.39	BK40	BK90	2.77	BK25	BK67
1.68	BK36	BK62	1.87	BK57	BK100	2.09	BK47	BK90	2.40	BK46	BK100	2.78	BK26	BK70
1.68	BK30	BK52	1.87	BK40	BK72	2.10	BK40	BK80	2.41	BK48	BK105	2.78	BK48	BK120
1.68	BK27	BK47	1.87	BK65	BK115	2.10	BK80	BK160	2.41	BK50	BK110	2.79	BK55	BK140
1.68	BK24	BK40	1.88	BK24	BK46	2.11	BK27	BK57	2.41	BK24	BK57	2.79	BK46	BK115
1.69	BK80	BK130	1.88	BK62	BK110	2.11	BK26	BK55	2.42	BK52	BK115	2.80	BK62	BK160
1.70	BK65	BK105	1.88	BK46	BK80	2.11	BK34	BK72	2.42	BK26	BK62	2.80	BK24	BK65
1.70	BK62	BK100	1.88	BK25	BK48	2.12	BK70	BK140	2.43	BK28	BK67	2.83	BK40	BK105
1.71	BK50	BK80	1.89	BK34	BK65	2.13	BK65	BK130	2.43	BK62	BK140	2.83	BK72	BK190
1.71	BK47	BK75	1.89	BK26	BK50	2.14	BK36	BK77	2.43	BK30	BK72	2.84	BK28	BK77
1.71	BK85	BK140	1.89	BK67	BK120	2.14	BK28	BK60	2.44	BK32	BK77	2.85	BK36	BK100
1.71	BK26	BK46	1.89	BK27	BK52	2.14	BK60	BK120	2.44	BK70	BK160	2.85	BK47	BK120
1.72	BK48	BK77	1.90	BK72	BK130	2.14	BK46	BK90	2.44	BK25	BK60	2.87	BK26	BK72
1.72	BK45	BK72	1.91	BK77	BK140	2.16	BK55	BK110	2.45	BK27	BK65	2.87	BK45	BK115
1.72	BK70	BK115	1.91	BK32	BK62	2.16	BK48	BK95	2.47	BK45	BK100	2.87	BK34	BK95
1.72	BK34	BK60	1.91	BK48	BK85	2.17	BK30	BK65	2.47	BK47	BK105	2.87	BK27	BK75
1.72	BK67	BK110	1.92	BK36	BK70	2.17	BK24	BK52	2.47	BK57	BK130	2.88	BK50	BK130
1.72	BK27	BK48	1.93	BK24	BK47	2.17	BK57	BK115	2.52	BK80	BK190	2.89	BK32	BK90
1.72	BK40	BK67	1.93	BK45	BK80	2.18	BK50	BK100	2.52	BK60	BK140	2.90	BK24	BK67
1.73	BK28	BK50	1.94	BK28	BK55	2.19	BK52	BK105	2.53	BK52	BK120	2.90	BK60	BK160
1.74	BK32	BK57	1.94	BK50	BK90	2.19	BK32	BK70	2.53	BK50	BK115	2.91	BK25	BK70
1.74	BK55	BK90	1.95	BK55	BK100	2.19	BK77	BK160	2.53	BK48	BK110	2.92	BK70	BK190
1.74	BK52	BK85	1.95	BK34	BK67	2.20	BK26	BK57	2.53	BK27	BK67	2.92	BK46	BK120
1.74	BK95	BK160	1.95	BK60	BK110	2.20	BK45	BK90	2.53	BK46	BK105	2.92	BK30	BK85
1.74	BK25	BK45	1.96	BK40	BK75	2.21	BK25	BK55	2.53	BK25	BK62	2.96	BK27	BK77
1.74	BK72	BK120	1.96	BK65	BK120	2.21	BK90	BK190	2.54	BK40	BK95	2.96	BK28	BK80
1.75	BK46	BK75	1.96	BK70	BK130	2.21	BK34	BK75	2.54	BK36	BK90	2.97	BK40	BK110
1.76	BK26	BK47	1.96	BK47	BK85	2.22	BK47	BK95	2.54	BK34	BK85	2.98	BK52	BK140
1.76	BK47	BK77	1.96	BK75	BK140	2.22	BK28	BK62	2.54	BK32	BK80	3.00	BK25	BK72
1.76	BK60	BK100	1.97	BK52	BK95	2.23	BK67	BK140	2.55	BK30	BK75	3.00	BK26	BK75
1.76	BK77	BK130	1.97	BK85	BK160	2.23	BK36	BK80	2.55	BK28	BK70	3.00	BK36	BK105



# Drive Ratios Using 4L, AP & AX Belts In BK Sheaves

Ratio	DR	DN	Ratio	DR	DN	Ratio	DR	DN	Ratio	DR	DN	Ratio	DR	DN
3.00	BK45	BK120	3.30	BK30	BK95	3.77	BK48	BK160	4.30	BK25	BK100	5.23	BK25	BK120
3.02	BK48	BK130	3.31	BK36	BK115	3.77	BK36	BK130	4.33	BK26	BK105	5.24	BK24	BK115
3.03	BK34	BK100	3.35	BK62	BK190	3.77	BK32	BK115	4.34	BK34	BK140	5.29	BK40	BK190
3.05	BK24	BK70	3.35	BK47	BK140	3.78	BK28	BK100	4.36	BK27	BK110	5.35	BK32	BK160
3.07	BK67	BK190	3.36	BK34	BK110	3.78	BK24	BK85	4.39	BK28	BK115	5.41	BK28	BK140
3.07	BK32	BK95	3.37	BK28	BK90	3.84	BK25	BK90	4.42	BK40	BK160	5.44	BK26	BK130
3.08	BK57	BK160	3.37	BK25	BK80	3.84	BK40	BK140	4.51	BK48	BK190	5.49	BK24	BK120
3.09	BK27	BK80	3.39	BK24	BK77	3.84	BK55	BK190	4.51	BK24	BK100	5.62	BK36	BK190
3.09	BK26	BK77	3.42	BK32	BK105	3.86	BK47	BK160	4.53	BK25	BK105	5.64	BK27	BK140
3.10	BK47	BK130	3.43	BK52	BK160	3.87	BK30	BK110	4.56	BK26	BK110	5.70	BK25	BK130
3.11	BK30	BK90	3.44	BK46	BK140	3.89	BK26	BK95	4.57	BK27	BK115	5.75	BK30	BK160
3.12	BK40	BK115	3.44	BK26	BK85	3.94	BK27	BK100	4.59	BK28	BK120	5.89	BK26	BK140
3.12	BK50	BK140	3.46	BK36	BK120	3.95	BK32	BK120	4.62	BK47	BK190	5.98	BK24	BK130
3.14	BK25	BK75	3.48	BK60	BK190	3.96	BK46	BK160	4.62	BK30	BK130	5.98	BK34	BK190
3.15	BK24	BK72	3.49	BK30	BK100	3.98	BK28	BK105	4.65	BK32	BK140	6.16	BK25	BK140
3.15	BK36	BK110	3.51	BK27	BK90	4.02	BK34	BK130	4.69	BK36	BK160	6.22	BK28	BK160
3.16	BK28	BK85	3.52	BK34	BK115	4.02	BK24	BK90	4.74	BK46	BK190	6.40	BK32	BK190
3.17	BK65	BK190	3.53	BK45	BK140	4.06	BK30	BK115	4.76	BK24	BK105	6.46	BK24	BK140
3.18	BK46	BK130	3.54	BK24	BK80	4.07	BK45	BK160	4.77	BK25	BK110	6.49	BK27	BK160
3.20	BK34	BK105	3.55	BK40	BK130	4.07	BK25	BK95	4.78	BK26	BK115	6.78	BK26	BK160
3.21	BK55	BK160	3.57	BK28	BK95	4.08	BK36	BK140	4.79	BK27	BK120	6.89	BK30	BK190
3.22	BK26	BK80	3.59	BK50	BK160	4.10	BK52	BK190	4.87	BK45	BK190	7.09	BK25	BK160
3.23	BK25	BK77	3.60	BK32	BK110	4.11	BK26	BK100	5.00	BK24	BK110	7.44	BK24	BK160
3.25	BK32	BK100	3.60	BK25	BK85	4.15	BK27	BK105	5.00	BK25	BK115	7.45	BK28	BK190
3.26	BK40	BK120	3.67	BK26	BK90	4.18	BK28	BK110	5.00	BK26	BK120	7.77	BK27	BK190
3.27	BK45	BK130	3.68	BK30	BK105	4.25	BK30	BK120	5.00	BK28	BK130	8.11	BK26	BK190
3.27	BK48	BK140	3.69	BK57	BK190	4.27	BK24	BK95	5.00	BK30	BK140	8.49	BK25	BK190
3.29	BK24	BK75	3.69	BK34	BK120	4.29	BK50	BK190	5.00	BK34	BK160	8.90	BK24	BK190
3.30	BK27	BK85	3.72	BK27	BK95	4.30	BK32	BK130	5.21	BK27	BK130			

# Drive Ratios Using 5L, BP & BX Belts In BK Sheaves

Ratio	DR	DN	Ratio	DR	DN	Ratio	DR	DN	Ratio	DR	DN	Ratio	DR	DN
1.00	BK19	BK19	1.05	BK105	BK110	1.13	BK36	BK45	1.22	BK70	BK85	1.32	BK80	BK105
1.00	BK22	BK22	1.05	BK62	BK65	1.13	BK55	BK62	1.22	BK115	BK140	1.32	BK32	BK47
1.00	BK23	BK23	1.05	BK100	BK105	1.13	BK115	BK130	1.22	BK34	BK46	1.32	BK40	BK55
1.00	BK24	BK24	1.05	BK36	BK40	1.13	BK28	BK32	1.22	BK47	BK57	1.33	BK57	BK75
1.00	BK25	BK25	1.05	BK95	BK100	1.13	BK62	BK70	1.23	BK55	BK67	1.33	BK72	BK95
1.00	BK26	BK26	1.05	BK57	BK60	1.14	BK46	BK52	1.23	BK90	BK110	1.33	BK19	BK26
1.00	BK27	BK27	1.06	BK34	BK36	1.14	BK75	BK85	1.23	BK24	BK30	1.33	BK22	BK30
1.00	BK28	BK28	1.06	BK90	BK95	1.14	BK19	BK22	1.23	BK45	BK55	1.33	BK25	BK34
1.00	BK30	BK30	1.06	BK32	BK34	1.14	BK26	BK30	1.24	BK57	BK70	1.33	BK28	BK40
1.00	BK32	BK32	1.06	BK52	BK55	1.15	BK57	BK65	1.24	BK19	BK24	1.33	BK34	BK50
1.00	BK34	BK34	1.06	BK85	BK90	1.15	BK50	BK57	1.24	BK65	BK80	1.33	BK47	BK62
1.00	BK36	BK36	1.06	BK30	BK32	1.15	BK105	BK120	1.24	BK77	BK95	1.34	BK105	BK140
1.00	BK40	BK40	1.06	BK80	BK85	1.15	BK70	BK80	1.24	BK27	BK34	1.34	BK90	BK120
1.00	BK45	BK45	1.07	BK28	BK30	1.15	BK40	BK48	1.24	BK85	BK105	1.34	BK75	BK100
1.00	BK46	BK46	1.07	BK47	BK50	1.15	BK48	BK55	1.24	BK105	BK130	1.34	BK30	BK45
1.00	BK47	BK47	1.07	BK75	BK80	1.15	BK100	BK115	1.25	BK22	BK28	1.34	BK60	BK80
1.00	BK48	BK48	1.07	BK45	BK48	1.15	BK24	BK28	1.25	BK30	BK40	1.35	BK45	BK60
1.00	BK50	BK50	1.07	BK26	BK28	1.15	BK67	BK77	1.25	BK34	BK47	1.35	BK32	BK48
1.00	BK52	BK52	1.07	BK72	BK77	1.16	BK36	BK46	1.25	BK40	BK52	1.35	BK67	BK90
1.00	BK55	BK55	1.07	BK70	BK75	1.16	BK65	BK75	1.25	BK46	BK57	1.35	BK50	BK67
1.00	BK57	BK57	1.07	BK25	BK27	1.16	BK23	BK27	1.25	BK50	BK62	1.36	BK26	BK36
1.00	BK60	BK60	1.07	BK40	BK45	1.16	BK52	BK60	1.25	BK62	BK77	1.36	BK23	BK32
1.00	BK62	BK62	1.08	BK24	BK26	1.16	BK95	BK110	1.26	BK80	BK100	1.36	BK52	BK70
1.00	BK65	BK65	1.08	BK67	BK72	1.16	BK45	BK52	1.26	BK72	BK90	1.36	BK85	BK115
1.00	BK67	BK67	1.08	BK65	BK70	1.17	BK22	BK26	1.26	BK25	BK32	1.36	BK46	BK62
1.00	BK70	BK70	1.08	BK23	BK25	1.17	BK62	BK72	1.26	BK60	BK75	1.36	BK57	BK77
1.00	BK72	BK72	1.08	BK22	BK24	1.17	BK90	BK105	1.26	BK52	BK65	1.37	BK70	BK95
1.00	BK75	BK75	1.08	BK62	BK67	1.17	BK27	BK32	1.26	BK48	BK60	1.37	BK48	BK65
1.00	BK77	BK77	1.09	BK60	BK65	1.17	BK60	BK70	1.26	BK36	BK50	1.37	BK77	BK105
1.00	BK80	BK80	1.09	BK48	BK52	1.17	BK77	BK90	1.26	BK32	BK45	1.37	BK30	BK46
1.00	BK85	BK85	1.09	BK46	BK50	1.18	BK32	BK40	1.27	BK28	BK36	1.37	BK40	BK57
1.00	BK90	BK90	1.09	BK57	BK62	1.18	BK47	BK55	1.27	BK95	BK120	1.38	BK95	BK130
1.00	BK95	BK95	1.09	BK110	BK120	1.18	BK85	BK100	1.27	BK57	BK72	1.38	BK55	BK75
1.00	BK100	BK100	1.09	BK55	BK60	1.18	BK57	BK67	1.27	BK75	BK95	1.38	BK27	BK40
1.00	BK105	BK105	1.10	BK105	BK115	1.18	BK36	BK47	1.28	BK67	BK85	1.38	BK19	BK27
1.00	BK110	BK110	1.10	BK40	BK46	1.18	BK25	BK30	1.28	BK34	BK48	1.38	BK62	BK85
1.00	BK115	BK115	1.10	BK52	BK57	1.18	BK110	BK130	1.28	BK110	BK140	1.38	BK24	BK34
1.02	BK47	BK48	1.10	BK100	BK110	1.19	BK72	BK85	1.28	BK45	BK57	1.38	BK80	BK110
1.02	BK46	BK47	1.10	BK70	BK77	1.19	BK30	BK36	1.28	BK23	BK30	1.39	BK34	BK52
1.02	BK45	BK46	1.10	BK27	BK30	1.19	BK55	BK65	1.28	BK55	BK70	1.39	BK36	BK55
1.03	BK75	BK77	1.10	BK50	BK55	1.19	BK19	BK23	1.28	BK90	BK115	1.39	BK45	BK62
1.03	BK70	BK72	1.11	BK77	BK85	1.19	BK65	BK77	1.28	BK19	BK25	1.40	BK65	BK90
1.03	BK65	BK67	1.11	BK95	BK105	1.19	BK80	BK95	1.28	BK26	BK34	1.40	BK115	BK160
1.03	BK27	BK28	1.11	BK25	BK28	1.19	BK34	BK45	1.29	BK47	BK60	1.40	BK47	BK65
1.03	BK60	BK62	1.11	BK34	BK40	1.20	BK48	BK57	1.29	BK60	BK77	1.40	BK52	BK72
1.04	BK26	BK27	1.11	BK47	BK52	1.20	BK23	BK28	1.29	BK32	BK46	1.40	BK72	BK100
1.04	BK25	BK26	1.11	BK65	BK72	1.20	BK28	BK34	1.29	BK70	BK90	1.40	BK30	BK47
1.04	BK55	BK57	1.11	BK90	BK100	1.20	BK40	BK50	1.30	BK52	BK67	1.41	BK25	BK36
1.04	BK24	BK25	1.11	BK72	BK80	1.20	BK52	BK62	1.30	BK62	BK80	1.41	BK100	BK140
1.04	BK23	BK24	1.11	BK24	BK27	1.20	BK67	BK80	1.30	BK85	BK110	1.41	BK32	BK50
1.04	BK77	BK80	1.12	BK45	BK50	1.20	BK100	BK120	1.30	BK48	BK62	1.41	BK75	BK105
1.04	BK22	BK23	1.12	BK32	BK36	1.20	BK46	BK55	1.31	BK100	BK130	1.41	BK48	BK67
1.04	BK50	BK52	1.12	BK23	BK26	1.21	BK75	BK90	1.31	BK77	BK100	1.41	BK55	BK77
1.04	BK72	BK75	1.12	BK85	BK95	1.21	BK60	BK72	1.31	BK24	BK32	1.41	BK22	BK32
1.04	BK48	BK50	1.12	BK60	BK67	1.21	BK22	BK27	1.31	BK27	BK36	1.42	BK50	BK70
1.04	BK115	BK120	1.12	BK67	BK75	1.21	BK50	BK60	1.31	BK50	BK65	1.42	BK57	BK80
1.05	BK46	BK48	1.12	BK22	BK25	1.21	BK36	BK48	1.31	BK36	BK52	1.42	BK85	BK120
1.05	BK67	BK70	1.12	BK30	BK34	1.21	BK26	BK32	1.32	BK65	BK85	1.43	BK19	BK28
1.05	BK110	BK115	1.12	BK40	BK47	1.21	BK95	BK115	1.32	BK46	BK60	1.43	BK26	BK40
1.05	BK45	BK47	1.13	BK80	BK90	1.22	BK62	BK75	1.32	BK55	BK72	1.43	BK67	BK95

# Drive Ratios Using 5L, BP & BX Belts In BK Sheaves

Ratio	DR	DN	Ratio	DR	DN	Ratio	DR	DN	Ratio	DR	DN	Ratio	DR	DN
1.43	BK60	BK85	1.55	BK47	BK72	1.69	BK57	BK95	1.84	BK36	BK72	2.03	BK60	BK120
1.43	BK46	BK65	1.55	BK65	BK100	1.69	BK48	BK80	1.84	BK24	BK50	2.03	BK24	BK55
1.43	BK28	BK45	1.56	BK32	BK55	1.70	BK45	BK75	1.84	BK47	BK85	2.04	BK55	BK110
1.44	BK30	BK48	1.56	BK52	BK80	1.70	BK40	BK70	1.85	BK55	BK100	2.04	BK50	BK100
1.44	BK23	BK34	1.56	BK30	BK52	1.70	BK95	BK160	1.85	BK25	BK52	2.04	BK19	BK45
1.44	BK77	BK110	1.56	BK50	BK77	1.70	BK25	BK48	1.85	BK32	BK65	2.04	BK45	BK90
1.44	BK70	BK100	1.56	BK55	BK85	1.70	BK46	BK77	1.86	BK52	BK95	2.05	BK36	BK80
1.44	BK47	BK67	1.57	BK90	BK140	1.70	BK32	BK60	1.86	BK60	BK110	2.05	BK57	BK115
1.45	BK36	BK57	1.57	BK26	BK46	1.71	BK77	BK130	1.87	BK22	BK47	2.05	BK32	BK72
1.45	BK80	BK115	1.57	BK77	BK120	1.71	BK36	BK57	1.87	BK57	BK105	2.06	BK52	BK105
1.45	BK40	BK60	1.57	BK40	BK65	1.71	BK19	BK34	1.87	BK65	BK120	2.06	BK47	BK95
1.45	BK90	BK130	1.58	BK36	BK62	1.71	BK26	BK50	1.87	BK30	BK62	2.06	BK27	BK62
1.46	BK50	BK72	1.58	BK45	BK70	1.71	BK65	BK110	1.87	BK40	BK77	2.07	BK26	BK60
1.46	BK52	BK75	1.58	BK22	BK36	1.72	BK62	BK105	1.88	BK70	BK130	2.07	BK40	BK85
1.46	BK24	BK36	1.58	BK67	BK105	1.72	BK30	BK57	1.88	BK62	BK115	2.08	BK22	BK52
1.46	BK110	BK160	1.58	BK27	BK48	1.72	BK23	BK45	1.88	BK46	BK85	2.08	BK34	BK77
1.46	BK45	BK65	1.59	BK48	BK75	1.72	BK27	BK52	1.89	BK34	BK70	2.09	BK19	BK46
1.46	BK28	BK46	1.59	BK70	BK110	1.73	BK24	BK47	1.89	BK26	BK55	2.10	BK28	BK65
1.47	BK62	BK90	1.59	BK46	BK72	1.73	BK50	BK85	1.89	BK75	BK140	2.10	BK77	BK160
1.47	BK32	BK52	1.59	BK25	BK45	1.73	BK47	BK80	1.89	BK27	BK57	2.11	BK24	BK57
1.47	BK34	BK55	1.60	BK23	BK40	1.73	BK70	BK120	1.90	BK19	BK40	2.11	BK46	BK95
1.47	BK55	BK80	1.60	BK28	BK50	1.74	BK67	BK115	1.90	BK85	BK160	2.11	BK23	BK55
1.47	BK72	BK105	1.60	BK57	BK90	1.74	BK110	BK190	1.91	BK32	BK67	2.12	BK30	BK70
1.48	BK65	BK95	1.60	BK60	BK95	1.74	BK45	BK77	1.91	BK48	BK90	2.12	BK67	BK140
1.48	BK46	BK67	1.60	BK26	BK47	1.75	BK34	BK65	1.91	BK22	BK48	2.13	BK48	BK100
1.48	BK48	BK70	1.61	BK34	BK60	1.75	BK40	BK72	1.92	BK23	BK50	2.13	BK55	BK115
1.48	BK75	BK110	1.61	BK100	BK160	1.75	BK75	BK130	1.92	BK100	BK190	2.13	BK62	BK130
1.48	BK25	BK40	1.61	BK72	BK115	1.75	BK55	BK95	1.92	BK36	BK75	2.13	BK90	BK190
1.48	BK27	BK45	1.62	BK19	BK32	1.76	BK23	BK46	1.92	BK24	BK52	2.14	BK19	BK47
1.48	BK95	BK140	1.62	BK32	BK57	1.76	BK52	BK90	1.93	BK45	BK85	2.14	BK26	BK62
1.50	BK22	BK34	1.62	BK75	BK120	1.76	BK32	BK62	1.93	BK28	BK60	2.14	BK25	BK60
1.50	BK28	BK47	1.62	BK47	BK75	1.76	BK28	BK55	1.93	BK50	BK95	2.14	BK32	BK75
1.50	BK30	BK50	1.62	BK40	BK67	1.77	BK24	BK48	1.94	BK34	BK72	2.14	BK50	BK105
1.50	BK40	BK62	1.62	BK50	BK80	1.77	BK80	BK140	1.94	BK55	BK105	2.14	BK57	BK120
1.50	BK52	BK77	1.63	BK45	BK72	1.77	BK46	BK80	1.95	BK60	BK115	2.16	BK52	BK110
1.51	BK77	BK115	1.63	BK25	BK46	1.77	BK25	BK50	1.95	BK40	BK80	2.16	BK45	BK95
1.51	BK67	BK100	1.63	BK48	BK77	1.77	BK60	BK105	1.95	BK47	BK90	2.16	BK28	BK67
1.51	BK57	BK85	1.63	BK62	BK100	1.78	BK57	BK100	1.96	BK52	BK100	2.16	BK75	BK160
1.51	BK47	BK70	1.63	BK65	BK105	1.78	BK26	BK52	1.96	BK25	BK55	2.16	BK34	BK80
1.51	BK45	BK67	1.64	BK26	BK48	1.79	BK36	BK70	1.96	BK26	BK57	2.17	BK27	BK65
1.51	BK80	BK120	1.64	BK80	BK130	1.79	BK22	BK45	1.96	BK57	BK110	2.17	BK47	BK100
1.51	BK70	BK105	1.65	BK24	BK45	1.79	BK65	BK115	1.96	BK62	BK120	2.18	BK36	BK85
1.51	BK27	BK46	1.65	BK27	BK50	1.79	BK90	BK160	1.96	BK30	BK65	2.18	BK30	BK72
1.52	BK60	BK90	1.65	BK30	BK55	1.80	BK23	BK47	1.97	BK67	BK130	2.18	BK19	BK48
1.52	BK23	BK36	1.66	BK36	BK65	1.80	BK62	BK110	1.97	BK72	BK140	2.19	BK65	BK140
1.52	BK50	BK75	1.66	BK46	BK75	1.80	BK48	BK85	1.97	BK36	BK77	2.19	BK23	BK57
1.52	BK48	BK72	1.66	BK52	BK85	1.80	BK34	BK67	1.99	BK22	BK50	2.20	BK40	BK90
1.52	BK19	BK30	1.66	BK55	BK90	1.80	BK19	BK36	1.99	BK23	BK52	2.20	BK32	BK77
1.52	BK36	BK60	1.66	BK67	BK110	1.81	BK30	BK60	2.00	BK27	BK60	2.20	BK22	BK55
1.53	BK34	BK57	1.66	BK70	BK115	1.81	BK45	BK80	2.00	BK28	BK62	2.20	BK60	BK130
1.53	BK28	BK48	1.66	BK85	BK140	1.81	BK67	BK120	2.00	BK32	BK70	2.22	BK25	BK62
1.53	BK26	BK45	1.66	BK115	BK190	1.82	BK40	BK75	2.00	BK46	BK90	2.22	BK55	BK120
1.53	BK105	BK160	1.66	BK22	BK40	1.82	BK27	BK55	2.02	BK48	BK95	2.22	BK46	BK100
1.54	BK24	BK40	1.66	BK25	BK47	1.82	BK105	BK190	2.02	BK95	BK190	2.22	BK24	BK60
1.54	BK85	BK130	1.66	BK28	BK52	1.83	BK72	BK130	2.02	BK80	BK160	2.24	BK48	BK105
1.54	BK72	BK110	1.66	BK34	BK62	1.83	BK22	BK46	2.02	BK34	BK75	2.24	BK27	BK67
1.54	BK46	BK70	1.66	BK47	BK77	1.83	BK28	BK57	2.03	BK30	BK67	2.24	BK26	BK65
1.55	BK75	BK115	1.68	BK72	BK120	1.83	BK50	BK90	2.03	BK70	BK140	2.25	BK50	BK110
1.55	BK62	BK95	1.69	BK60	BK100	1.84	BK23	BK48	2.03	BK65	BK130	2.25	BK72	BK160
1.55	BK27	BK47	1.69	BK24	BK46	1.84	BK77	BK140	2.03	BK25	BK57	2.26	BK52	BK115

# Drive Ratios Using 5L, BP & BX Belts In BK Sheaves

Ratio	DR	DN	Ratio	DR	DN	Ratio	DR	DN	Ratio	DR	DN	Ratio	DR	DN
2.26	BK28	BK70	2.51	BK23	BK65	2.88	BK24	BK77	3.43	BK48	BK160	4.30	BK30	BK140
2.26	BK85	BK190	2.51	BK19	BK55	2.88	BK25	BK80	3.43	BK25	BK95	4.30	BK23	BK110
2.28	BK45	BK100	2.56	BK52	BK130	2.89	BK67	BK190	3.44	BK40	BK140	4.33	BK24	BK115
2.28	BK30	BK75	2.56	BK48	BK120	2.90	BK30	BK95	3.45	BK22	BK85	4.35	BK25	BK120
2.28	BK19	BK50	2.56	BK46	BK115	2.90	BK46	BK130	3.46	BK19	BK75	4.36	BK45	BK190
2.28	BK22	BK57	2.57	BK40	BK105	2.91	BK22	BK72	3.46	BK32	BK120	4.38	BK34	BK160
2.29	BK47	BK105	2.57	BK75	BK190	2.91	BK23	BK75	3.49	BK26	BK100	4.40	BK27	BK130
2.29	BK32	BK80	2.57	BK36	BK100	2.92	BK28	BK90	3.50	BK47	BK160	4.41	BK19	BK95
2.30	BK62	BK140	2.58	BK34	BK95	2.94	BK40	BK120	3.51	BK23	BK90	4.48	BK22	BK110
2.30	BK34	BK85	2.58	BK27	BK77	2.96	BK26	BK85	3.52	BK30	BK115	4.50	BK23	BK115
2.30	BK24	BK62	2.58	BK32	BK90	2.97	BK36	BK115	3.54	BK27	BK105	4.52	BK24	BK120
2.31	BK36	BK90	2.58	BK25	BK72	2.97	BK45	BK130	3.54	BK55	BK190	4.55	BK26	BK130
2.31	BK23	BK60	2.59	BK30	BK85	2.98	BK55	BK160	3.55	BK34	BK130	4.58	BK28	BK140
2.32	BK26	BK67	2.59	BK23	BK67	2.98	BK65	BK190	3.56	BK19	BK77	4.63	BK32	BK160
2.32	BK40	BK95	2.59	BK28	BK80	2.99	BK19	BK65	3.56	BK24	BK95	4.64	BK19	BK100
2.32	BK70	BK160	2.60	BK26	BK75	2.99	BK23	BK77	3.58	BK46	BK160	4.69	BK40	BK190
2.32	BK57	BK130	2.60	BK55	BK140	2.99	BK24	BK80	3.59	BK28	BK110	4.69	BK22	BK115
2.33	BK25	BK65	2.61	BK24	BK70	2.99	BK34	BK110	3.62	BK25	BK100	4.70	BK23	BK120
2.33	BK28	BK72	2.61	BK19	BK57	2.99	BK48	BK140	3.62	BK36	BK140	4.72	BK25	BK130
2.34	BK46	BK105	2.62	BK22	BK65	3.02	BK32	BK105	3.65	BK22	BK90	4.74	BK27	BK140
2.34	BK30	BK77	2.62	BK47	BK120	3.03	BK27	BK90	3.67	BK26	BK105	4.88	BK19	BK105
2.34	BK27	BK70	2.62	BK45	BK115	3.03	BK22	BK75	3.67	BK45	BK160	4.90	BK22	BK120
2.34	BK48	BK110	2.63	BK62	BK160	3.05	BK30	BK100	3.68	BK30	BK120	4.90	BK24	BK130
2.35	BK50	BK115	2.66	BK50	BK130	3.06	BK47	BK140	3.70	BK19	BK80	4.91	BK26	BK140
2.36	BK52	BK120	2.67	BK26	BK77	3.06	BK25	BK85	3.71	BK23	BK95	4.92	BK30	BK160
2.37	BK19	BK52	2.68	BK46	BK120	3.08	BK19	BK67	3.71	BK27	BK110	4.93	BK36	BK190
2.38	BK60	BK140	2.68	BK27	BK80	3.09	BK28	BK95	3.75	BK52	BK190	5.09	BK25	BK140
2.39	BK45	BK105	2.68	BK72	BK190	3.10	BK36	BK120	3.75	BK32	BK130	5.10	BK23	BK130
2.39	BK23	BK62	2.68	BK24	BK72	3.11	BK23	BK80	3.75	BK28	BK115	5.12	BK19	BK110
2.40	BK47	BK110	2.69	BK40	BK110	3.11	BK22	BK77	3.76	BK24	BK100	5.21	BK34	BK190
2.40	BK25	BK67	2.70	BK25	BK75	3.13	BK62	BK190	3.80	BK25	BK105	5.25	BK28	BK160
2.41	BK27	BK72	2.70	BK22	BK67	3.13	BK46	BK140	3.82	BK34	BK140	5.29	BK24	BK140
2.41	BK80	BK190	2.70	BK36	BK105	3.13	BK34	BK115	3.84	BK26	BK110	5.31	BK22	BK130
2.41	BK22	BK60	2.71	BK23	BK70	3.13	BK26	BK90	3.86	BK22	BK95	5.35	BK19	BK115
2.41	BK55	BK130	2.72	BK34	BK100	3.15	BK52	BK160	3.88	BK27	BK115	5.43	BK27	BK160
2.42	BK24	BK65	2.72	BK60	BK160	3.17	BK32	BK110	3.90	BK23	BK100	5.50	BK23	BK140
2.42	BK26	BK70	2.73	BK32	BK95	3.18	BK24	BK85	3.91	BK50	BK190	5.51	BK32	BK190
2.43	BK28	BK75	2.74	BK45	BK120	3.19	BK40	BK130	3.92	BK28	BK120	5.59	BK19	BK120
2.43	BK67	BK160	2.74	BK30	BK90	3.20	BK27	BK95	3.93	BK19	BK85	5.62	BK26	BK160
2.43	BK30	BK80	2.75	BK19	BK60	3.20	BK45	BK140	3.94	BK40	BK160	5.72	BK22	BK140
2.44	BK32	BK85	2.76	BK52	BK140	3.21	BK30	BK105	3.95	BK24	BK105	5.83	BK25	BK160
2.44	BK34	BK90	2.76	BK28	BK85	3.22	BK19	BK70	3.99	BK25	BK110	5.86	BK30	BK190
2.44	BK36	BK95	2.76	BK70	BK190	3.24	BK60	BK190	3.99	BK30	BK130	6.05	BK24	BK160
2.45	BK40	BK100	2.77	BK25	BK77	3.24	BK22	BK80	4.02	BK26	BK115	6.06	BK19	BK130
2.45	BK46	BK110	2.78	BK26	BK80	3.25	BK25	BK90	4.05	BK32	BK140	6.24	BK28	BK190
2.45	BK48	BK115	2.78	BK48	BK130	3.26	BK28	BK100	4.06	BK27	BK120	6.29	BK23	BK160
2.45	BK50	BK120	2.79	BK23	BK72	3.27	BK34	BK120	4.07	BK22	BK100	6.46	BK27	BK190
2.49	BK22	BK62	2.80	BK24	BK75	3.29	BK50	BK160	4.08	BK48	BK190	6.54	BK19	BK140
2.49	BK24	BK67	2.82	BK40	BK115	3.31	BK23	BK85	4.10	BK23	BK105	6.55	BK22	BK160
2.49	BK26	BK72	2.82	BK22	BK70	3.31	BK26	BK95	4.14	BK24	BK110	6.69	BK26	BK190
2.49	BK28	BK77	2.84	BK36	BK110	3.31	BK32	BK115	4.15	BK36	BK160	6.93	BK25	BK190
2.50	BK77	BK190	2.84	BK47	BK130	3.32	BK19	BK72	4.17	BK47	BK190	7.20	BK24	BK190
2.50	BK65	BK160	2.85	BK19	BK62	3.36	BK36	BK130	4.17	BK25	BK115	7.48	BK19	BK160
2.51	BK57	BK140	2.85	BK27	BK85	3.37	BK30	BK110	4.17	BK19	BK90	7.49	BK23	BK190
2.51	BK47	BK115	2.85	BK34	BK105	3.37	BK27	BK100	4.20	BK26	BK120	7.80	BK22	BK190
2.51	BK45	BK110	2.87	BK57	BK160	3.37	BK24	BK90	4.25	BK28	BK130	8.90	BK19	BK190
2.51	BK27	BK75	2.87	BK50	BK140	3.41	BK57	BK190	4.26	BK46	BK190			
2.51	BK25	BK70	2.88	BK32	BK100	3.42	BK28	BK105	4.27	BK22	BK105			

# HP Ratings - 3L, 4L, 5L Belts

	1750		3500	
	3L	4L	3L	4L
AK15	-	-	-	-
AK16	-	-	-	-
AK17	-	0.01	-	-
AK18	-	0.07	-	-
AK19	-	0.14	-	-
AK20	0.18	0.20	0.26	0.07
AK21	0.21	0.26	0.31	0.16
AK22	0.24	0.32	0.36	0.25
AK23	0.27	0.39	0.42	0.33
AK24	0.30	0.45	0.47	0.41
AK25	0.33	0.50	0.51	0.49
AK26	0.36	0.56	0.56	0.57
AK27	0.38	0.62	0.61	0.63
AK28	0.41	0.68	0.66	0.70
AK30	0.47	0.79	0.74	0.81
AK32	0.53	0.90	0.83	0.91
AK34	0.58	1.01	0.91	0.99
AK35	0.61	1.06	0.94	1.02
AK39	0.66	1.16	1.02	1.06
AK41	0.72	1.26	1.08	1.09
AK44	0.79	1.40	1.17	1.07
AK46	0.84	1.49	1.22	1.03
AK49		1.62		0.93
AK51		1.70		0.82
AK54		1.81		0.60
AK56		1.88		0.42
AK59		1.98		0.08
AK61		2.04		
AK64		2.12		
AK66		2.17		
AK69		2.23		
AK71		2.26		
AK74		2.30		

 Consult Factory

	1750		3500	
	4L	5L	4L	5L
BK19	-	-	-	-
BK22	0.07	-	-	-
BK23	0.14	-	-	-
BK24	0.20	0.03	0.07	-
BK25	0.26	0.14	0.16	-
BK26	0.32	0.24	0.25	-
BK27	0.39	0.34	0.33	-
BK28	0.45	0.44	0.41	0.14
BK30	0.56	0.64	0.57	0.45
BK32	0.68	0.84	0.70	0.74
BK34	0.79	1.04	0.81	1.02
BK36	0.90	1.23	0.91	1.28
BK40	1.01	1.42	0.99	1.53
BK45	1.16	1.70	1.06	1.86
BK46	1.21	1.79	1.08	1.97
BK47	1.26	1.88	1.09	2.07
BK48	1.31	1.97	1.09	2.16
BK50	1.40	2.15	1.07	2.34
BK52	1.49	2.32	1.03	2.49
BK55	1.62	2.58	0.93	2.69
BK57	1.70	2.75	0.82	2.79
BK60	1.81	2.99	0.60	2.91
BK62	1.88	3.15	0.42	2.96
BK65	1.98	3.38	0.08	2.98
BK67	2.04	3.53		2.97
BK70	2.12	3.75		2.91
BK72	2.17	3.89		2.83
BK75	2.23	4.10		2.66
BK77	2.26	4.23		2.52
BK80	2.30	4.42		2.24
BK85		4.71		1.63
BK90		4.98		0.82
BK95		5.22		
BK100		5.44		

# HP Ratings - "A & B" Belts

	1750		3500	
	AP	AX	AP	AX
<b>AK15</b>	-	-	-	-
<b>AK16</b>	-	-	-	-
<b>AK17</b>	-	-	-	-
<b>AK18</b>	-	-	-	-
<b>AK19</b>	-	0.09	-	-
<b>AK20</b>	-	0.29	-	-
<b>AK21</b>	0.06	0.48	-	0.29
<b>AK22</b>	0.26	0.68	-	0.64
<b>AK23</b>	0.45	0.87	0.11	0.99
<b>AK24</b>	0.64	1.06	0.44	1.33
<b>AK25</b>	0.83	1.25	0.78	1.67
<b>AK26</b>	1.02	1.44	1.11	2.01
<b>AK27</b>	1.21	1.63	1.44	2.35
<b>AK28</b>	1.39	1.82	1.76	2.68
<b>AK30</b>	1.77	2.19	2.40	3.33
<b>AK32</b>	2.13	2.57	3.02	3.98
<b>AK34</b>	2.50	2.93	3.63	4.61
<b>AK35</b>	2.68	3.11	3.93	4.92
<b>AK39</b>	3.04	3.48	4.51	5.53
<b>AK41</b>	3.39	3.84	5.08	6.13
<b>AK44</b>	3.92	4.37	5.91	7.00
<b>AK46</b>	4.26	4.72	6.44	7.57
<b>AK49</b>	4.78	5.24	7.20	8.39
<b>AK51</b>	5.11	5.58	7.68	8.92
<b>AK54</b>	5.61	6.09	8.38	9.69
<b>AK56</b>	5.94	6.43	8.82	10.18
<b>AK59</b>	6.43	6.93	9.44	10.89
<b>AK61</b>	6.75	7.25	9.83	11.35
<b>AK64</b>	7.22	7.74	10.38	12.00
<b>AK66</b>	7.53	8.06	10.71	12.41
<b>AK69</b>	7.99	8.54	-	-
<b>AK71</b>	8.29	8.85	-	-
<b>AK74</b>	8.73	9.31	-	-

	1750				3500			
	AP	AX	BP	BX	AP	AX	BP	BX
<b>BK19</b>	-	-	-	-	-	-	-	-
<b>BK22</b>	-	-	-	-	-	-	-	-
<b>BK23</b>	-	0.09	-	-	-	-	-	-
<b>BK24</b>	-	0.29	0.16	-	-	-	-	-
<b>BK25</b>	0.06	0.48	-	0.48	-	0.29	-	-
<b>BK26</b>	0.26	0.68	-	0.78	-	0.64	-	0.20
<b>BK27</b>	0.45	0.87	-	1.09	0.11	0.99	-	0.75
<b>BK28</b>	0.64	1.06	-	1.40	0.44	1.33	-	1.29
<b>BK30</b>	1.02	1.44	0.37	2.01	1.11	2.01	-	2.36
<b>BK32</b>	1.39	1.82	0.95	2.61	1.76	2.68	-	3.41
<b>BK34</b>	1.77	2.19	1.53	3.21	2.40	3.33	0.73	4.44
<b>BK36</b>	2.13	2.57	2.10	3.81	3.02	3.98	1.65	5.45
<b>BK40</b>	2.50	2.93	2.66	4.40	3.63	4.61	2.55	6.44
<b>BK45</b>	3.04	3.48	3.50	5.27	4.51	5.53	3.86	7.89
<b>BK46</b>	3.21	3.66	3.78	5.56	4.80	5.83	4.28	8.36
<b>BK47</b>	3.39	3.84	4.05	5.85	5.08	6.13	4.69	8.82
<b>BK48</b>	3.57	4.01	4.32	6.14	5.36	6.42	5.10	9.28
<b>BK50</b>	3.92	4.37	4.87	6.71	5.91	7.00	5.89	10.18
<b>BK52</b>	4.26	4.72	5.40	7.28	6.44	7.57	6.65	11.06
<b>BK55</b>	4.78	5.24	6.20	8.12	7.20	8.39	7.74	12.33
<b>BK57</b>	5.11	5.58	6.72	8.67	7.68	8.92	8.43	13.15
<b>BK60</b>	5.61	6.09	7.50	9.49	8.38	9.69	9.40	14.32
<b>BK62</b>	5.94	6.43	8.00	10.04	8.82	10.18	10.00	15.07
<b>BK65</b>	6.43	6.93	8.76	10.84	9.44	10.89	10.85	16.15
<b>BK67</b>	6.75	7.25	9.25	11.37	9.83	11.35	11.37	16.83
<b>BK70</b>	7.22	7.74	9.98	12.16	10.38	12.00	12.08	17.80
<b>BK72</b>	7.53	8.06	10.46	12.68	10.71	12.41	12.51	18.41
<b>BK75</b>	7.99	8.54	11.17	13.45	-	-	-	-
<b>BK77</b>	8.29	8.85	11.63	13.95	-	-	-	-
<b>BK80</b>	8.73	9.31	12.31	14.70	-	-	-	-
<b>BK85</b>			13.42	15.92	-	-	-	-
<b>BK90</b>			14.48	17.11	-	-	-	-
<b>BK95</b>			15.51	18.26	-	-	-	-
<b>BK100</b>			16.48	19.38	-	-	-	-

Consult Factory

# Light-Duty Drive

## Design Charts

### 3L, 4L, 5L BELT SERVICE FACTORS

Type of DriveN Unit	Speed Ratio	
	Less Than 1.5	1.5 and Over
Fans and Blowers	1.0	0.9
Domestic Laundry Machines	1.1	1.0
Centrifugal Pumps	1.1	1.0
Generators	1.2	1.1
Rotary Compressors	1.2	1.1
Machine Tools	1.3	1.2
Reciprocating Pumps	1.4	1.3
Reciprocating Compressors	1.4	1.3
Wood Working Machines	1.4	1.3

### BELT SECTION SELECTION

Maximum Motor Ratings Single Groove	Use
1/2 hp	3L
1 hp	4L
3	5L
5	A
7.5	B

dual groove = 2 times single groove

### NEMA Minimum Motor Sheave Recommendation

Motor Horsepower	MOTOR RPM			
	870	1160	1750	3500
1/2	2.2	-	-	-
3/4	2.4	2.2	-	-
1	2.4	2.4	2.2	-
1-1/2	2.4	2.4	2.4	2.2
2	3.0	2.4	2.4	2.4
3	3.0	3.0	2.4	2.4
5	3.8	3.0	3.0	2.6
7-1/2	4.4	3.8	3.0	3.0
10	4.6	4.4	3.8	3.0
15	5.4	4.6	4.4	3.8
20	6.0	5.4	4.6	4.4
25	6.8	6.0	5.0	4.4
30	6.8	6.8	5.4	-
40	8.2	6.8	6.0	-
50	9.0	8.2	6.8	-
60	10.0	9.0	7.4	-
75	10.5	10.0	9.0	-
100	12.5	11.0	10.0	-
125	-	12.5	11.5	-
150	-	-	-	-
200	-	-	-	-
250	-	-	-	-
300	-	-	-	-

### Approximate Belt Length Calculation

$$BL = 1.571 (D1 + D2) + 2 CD$$

D1 & D2 = Sheave Diameters CD = Center Distance



# Light-Duty Drives Using A & B Belting

## Service Factor

### SERVICE FACTORS

DRIVEN MACHINE See Note 1	DRIVERS					
	AC Normal Torque Electric Motor (NEMA Design A-B) See Note 2			AC High Torque Electric Motor (NEMA Design C-D) See Note 3		
	Intermittent Service See Note 4	Normal Service See Note 5	Continuous Service See Note 6	Intermittent Service See Note 4	Normal Service See Note 5	Continuous Service See Note 6
Agitators for Liquids . . . . .						
Blowers and Exhausters . . . . .						
Centrifugal Pumps and Compressors . . . . .	1.0	1.1	1.2	1.1	1.2	1.3
Conveyors (Light Duty) . . . . .						
Fans (up to 10 H.P.) . . . . .						
Belt Conveyors for Sand, Grain, etc. . . . .						
Fans (over 10 H.P.) . . . . .						
Generators . . . . .						
Laundry Machinery . . . . .						
Line Shafts . . . . .						
Machine Tools . . . . .	1.1	1.2	1.3	1.2	1.3	1.4
Mixers (Dough) . . . . .						
Positive Displacement Rotary Pumps . . . . .						
Printing Machinery . . . . .						
Punches-Presses-Shears See Note 1 . . . . .						
Revolving and Vibrating Screens . . . . .						
Blowers (Positive Displacement) . . . . .						
Brick Machinery . . . . .						
Compressors (Piston) See Note 1 . . . . .						
Conveyors (Drag-Pan-Screw) . . . . .						
Elevators (Bucket) . . . . .						
Exciters . . . . .	1.2	1.3	1.4	1.4	1.5	1.6
Hammer Mills . . . . .						
Paper Mill Beaters . . . . .						
Pulverizers . . . . .						
Pumps (Piston) . . . . .						
Saw Mill and Woodworking Machinery . . . . .						
Textile Machinery . . . . .						
Crushers (Gyratory-Jaw-Roll) See Note 1 . . . . .						
Mills (Ball-Rod-Tube) See Note 1 . . . . .	1.3	1.4	1.5	1.5	1.6	1.6
Hoists See Note 1 . . . . .						
Rubber Calenders-Extruders-Mills See Note 1 . . . . .						

**Note 1** The Driven Machines listed above are representative samples only. When one of the sheaves of the drive is used as a flywheel to reduce speed fluctuations and equalize the energy exerted at the shaft or for applications involving impact or jam loads specially constructed sheaves may be required. Consult the manufacturer.

**Note 2** Included under this heading are the following electric motors: Synchronous and Squirrel Cage AC Normal Torque, AC Split Phase, DC Shunt Wound and Internal Combustion Engines.

**Note 3** Included under this heading are the following electric motors: AC High Torque, AC Hi-Slip, AC Repulsion, Induction, AC Single Phase Series Wound, AC Slip Ring and DC Compound Wound.

**Note 4** Intermittent Service refers to 3–5 hours of daily or seasonal operation.

**Note 5** Normal Service indicates 8–10 hours of daily operation.

**Note 6** Continuous Service refers to 16–24 hours of daily operation.

# Light-Duty Drives A & B

## Correction Factors

### SPEED ADD-ON CORRECTION

AP & AX Belts Motor RPM	RATIOS								
	1.00-1.01	1.02-1.05	1.06-1.09	1.10-1.14	1.15-1.19	1.20-1.29	1.30-1.49	1.50-1.99	2.00 & Over
1750	.00	.03	.07	.10	.13	.16	.20	.24	.27
3600	.00	.05	.13	.19	.26	.31	.39	.47	.54

BP & BX Belts Motor RPM	RATIOS								
	1.00-1.01	1.02-1.05	1.06-1.09	1.10-1.14	1.15-1.19	1.20-1.29	1.30-1.49	1.50-1.99	2.00 & Over
1750	.00	.06	.17	.25	.34	.41	.51	.62	.71
3600	.00	.12	.33	.50	.67	.81	1.01	1.24	1.41

### ARC OF CONTACT CORRECTION FACTOR

D - d C	Arc Contact Degree	Factor AC	D - d C	Arc Contact Degree	Factor AC	D - d C	Arc Contact Degree	Factor AC	D - d C	Arc Contact Degree	Factor AC
0.000	180	1.000	0.375	158	0.947	0.750	136	0.879	1.125	112	0.789
0.025	179	0.997	0.400	157	0.943	0.775	134	0.874	1.500	110	0.782
0.050	177	0.994	0.425	155	0.939	0.800	133	0.869	1.750	108	0.774
0.075	176	0.990	0.450	154	0.935	0.825	131	0.864	1.200	106	0.767
0.100	174	0.987	0.475	153	0.930	0.850	130	0.858	1.225	104	0.759
0.125	173	0.983	0.500	151	0.926	0.875	128	0.852	1.250	103	0.751
0.150	171	0.980	0.525	150	0.922	0.900	127	0.847	1.275	101	0.742
0.175	170	0.977	0.550	148	0.917	0.925	125	0.841	0.130	99	0.734
0.200	169	0.973	0.575	147	0.913	0.950	123	0.835	1.325	97	0.725
0.225	167	0.969	0.600	145	0.908	0.975	122	0.829	1.350	95	0.716
0.250	166	0.966	0.625	144	0.904	1.000	120	0.823	1.375	93	0.706
0.275	164	0.962	0.650	142	0.899	1.025	118	0.816	1.400	91	0.697
0.300	163	0.958	0.675	141	0.894	1.050	117	0.810	1.425	89	0.687
0.325	161	0.954	0.700	139	0.889	1.075	115	0.803			
0.350	160	0.951	0.725	137	0.884	1.100	113	0.796			

D = Large Diameter Sheave d = Small Diameter Sheave C = Center Distance

### BELT LENGTH CORRECTION FACTOR

Belt Number	Correction Factor LC	Belt Number	Correction Factor LC	Belt Number	Correction Factor LC	Belt Number	Correction Factor LC	Belt Number	Correction Factor LC
A26	.81	A75	1.02	B35	.81	B85	.99	B173	1.15
A31	.84	A80	1.04	B38	.83	B90	1.00	B180	1.16
A35	.87	A85	1.05	B42	.85	B97	1.02	B195	1.18
A38	.88	A90	1.06	B46	.87	B105	1.04	B210	1.19
A42	.90	A96	1.08	B51	.89	B112	1.05	B240	1.22
A46	.92	A105	1.10	B55	.90	B120	1.07	B270	1.25
A51	.94	A112	1.11	B60	.92	B128	1.08	B300	1.27
A55	.96	A120	1.13	B68	.95	B136	1.09		
A60	.98	A128	1.14	B75	.97	B144	1.11		
A68	1.00			B81	.98	B158	1.13		

# Light-Duty Drive Selection Using 3L, 4L, 5L Belts

Example: A 1 HP 1750 RPM NEMA B motor driving a fan operating at 1200 RPM, 24 hours a day.  
Motor shaft is 7/8" diameter, fan shaft is 1" diameter, center distance is 20".

Procedure	Example
Step #1: Determine Required Drive Ratio. Ratio = Faster RPM / Slower RPM	1750 rpm / 1200 rpm = 1.46 ratio
Step #2: Based on the type of driven machine and the ratio determine the correct service factor from the chart on Page B3–24.	Service factor = 1.0
Step #3: Calculate the Design HP. Design HP = Motor HP x Service Factor	1 HP x 1.0 service factor = 1.0 Design HP
Step #4: Determine Belt Section based on Motor Horsepower. See chart on Page B3–24.	4L belt section
Step #5: Check NEMA chart for minimum sheave diameters. Page B3–24.	1 HP 1750 NEMA minimum diameter = 2.2"
Step #6: Select a drive combination from the ratio chart of the the corresponding belt section. Pages B3–10 to B3–21. In the event of multiple possibilities, drives using larger diameters are usually more economical.	1.46 ratio = AK30 DriveR & AK46 DriveN
Step #7: Using the smaller sheave and the motor RPM compare the HP per belt found on the charts on B3–22 to the Design HP from Step #3. For two groove applications multiply the HP per belt value by two.	HP rating of the AK46 @ 1750 RPM = 1.49 HP
Step #8: Calculate the approximate belt length. BL = 1.571 (D1 + D2) + 2 CD D1 & D2 = the sheave diameters & CD = center distance	BL = 1.571 (4.2 + 6.2) + 2 (20) BL = 51.78 Use a 4L520
Step #9: Specify Product Numbers.	DriveR sheave = AK30 x 7/8 order <b>AK3078</b> DriveN sheave = AK46 x 1 order <b>AK461</b> Belt = <b>4L520</b>

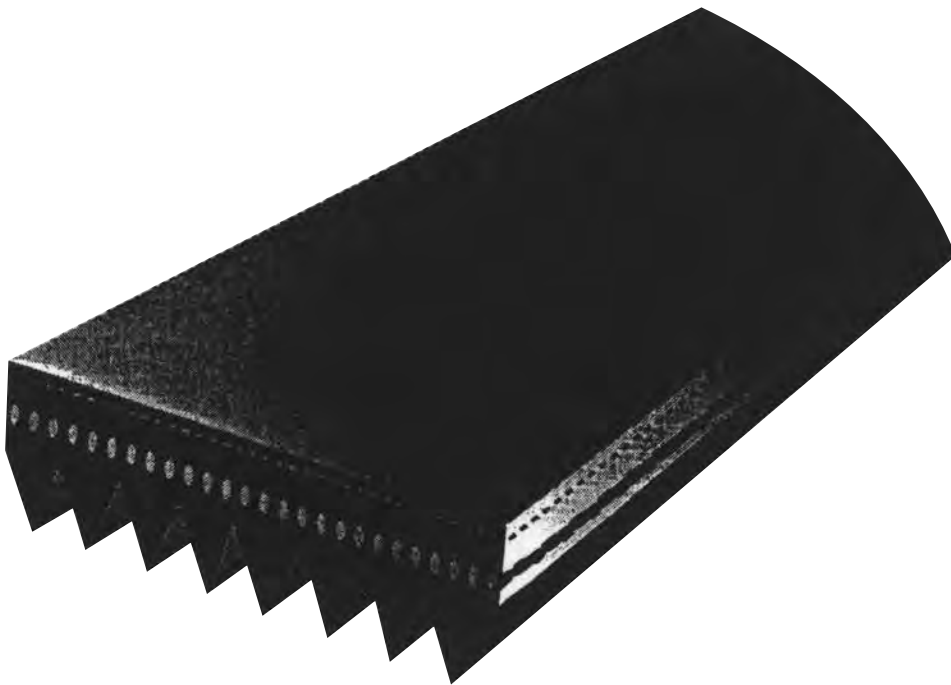
# Light-Duty Drive Selection Using AP, AX, BP, BX

Example: A 5 HP 3500 RPM NEMA B motor driving a centrifugal pump operating at 2330 RPM, 24 hours a day.  
 Motor shaft is 1-1/8" diameter, fan shaft is 1" diameter, center distance is 25".

Procedure	Example
Step #1: Based on the type of DriveN machine the hours of operation and the DriveR type, select the correct service factor from the chart on page B3–25.	Service factor = 1.2
Step #2: Calculate the Design HP. Design HP = Motor HP x Service Factor	5 HP x 1.2 service factor = 6.0 Design HP
Step #3: Determine Belt Section based on Motor Horsepower. See chart on Page B3–24.	A belt section
Step #4: Determine Required Drive Ratio. Ratio = Faster RPM / Slower RPM	Ratio = 3500 / 2330 = 1.5
Step #5: Check NEMA chart for minimum sheave diameters. Page B3–24.	5 HP 3500 NEMA minimum diameter = 2.4"
Step #6: Select a drive combination from the ratio chart of the corresponding belt section. Pages B3–10 to B3–21. In the event of multiple possibilities, drives using larger diameters are usually more economical.	1.5 ratio = AK61 DriveR & AK91 DriveN
Step #7: Calculate the approximate belt length. BL = 1.571 (D1 + D2) + 2 CD D1 & D2 = the sheave diameters & CD = center distance	BL = 1.571 (5.7 + 8.7) + 2 (25) BL = 72.62 Use an AP71
Step #8: Using the smaller sheave and the motor RPM locate the HP per belt found on the charts on B3–23.	HP rating of the AK61 with an AP belt @ 3500 RPM = 9.83 HP
Step #9: Using the motor RPM and the ratio, find the HP add-on and add this to the HP per belt from Step #8. Page B3–26.	Add-on for A belts and a 1.5 ratio = .47
Step #10: Multiply the HP answer from Step #8 to the AC and LC factor from page B3–26. This is the corrected HP/belt. Compare this answer to the Design HP to determine if corrected HP one or two grooves are needed.	AC = .983 LC for an AP71 belt = 1.00 9.83 x .983 x 1.00 = 9.66 per belt Design HP = 6.0 • one belt will be enough
Step #11: Specify Product Numbers.	DriveR sheave = AK61 x 1-1/8" order <b>AK61118</b> DriveN sheave = AK 91 x 1 order <b>AK911</b> Belts = <b>AP71</b>

# Poly-V Sheaves

**B4**



- **Provide a True Clamp Fit**
- **Are Easy to Install and Remove**
- **Permit Four-Way Mounting**

# BTS Stock Poly-V Sheaves J

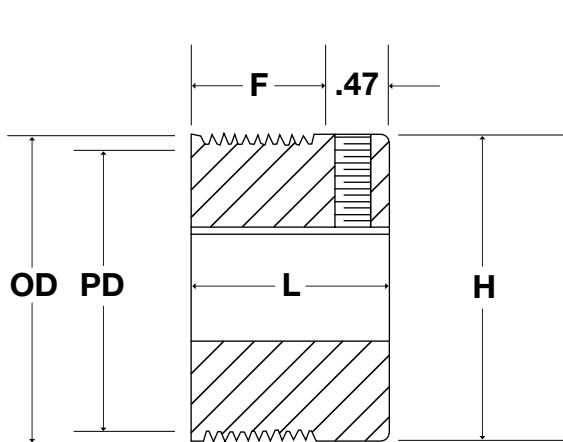
## Dimensions

The Sheaves Below Are All Stock Sizes

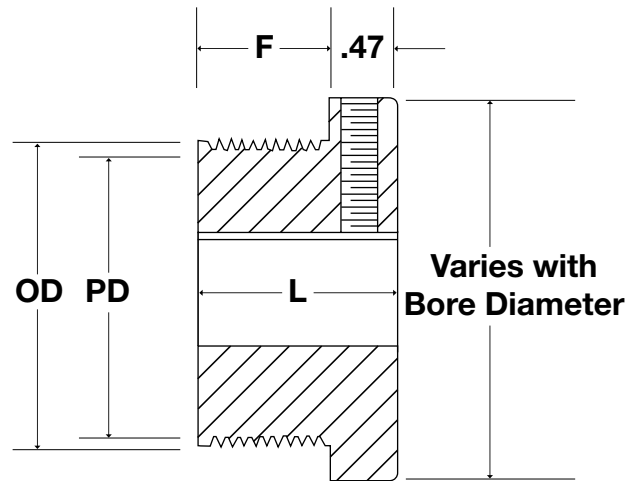
### DIMENSION (In Inches)

Product No.	P.D.	O.D.	L	H	6 GROOVES F= 23/32 BTS PARTS					Wt. Lbs.
					Bores					
					1/2*	5/8	3/4	7/8	1	
6J150	1.53	1.50	1 3/16	-		X	X		X	0.5
6J160	1.63	1.60	1 3/16	1.60	X	X	X			0.6
6J180	1.83	1.80	1 3/16	1.80	X	X	X			0.7
6J190	1.93	1.90	1 3/16	1.90	X	X	X	X		0.7

\* No Keyseat



**BTS  
Except 6J150**



**BTS  
6J150 Only**

# Stock Poly-V Sheaves J

## Dimensions

The Sheaves Below Are All Stock Sizes

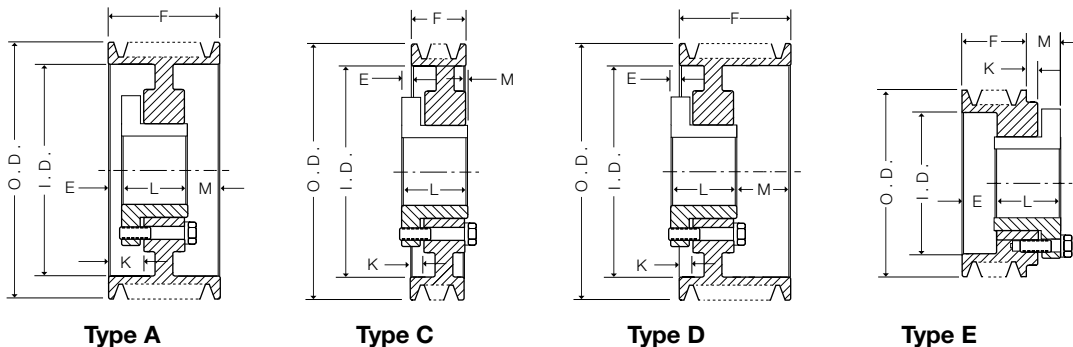
The dimensions given are with the Sure-Grip bushings in place. The figures following the letter in the "Type" column indicates the sheave construction: 1 - Solid; 2 - Web; 3 - Arms.

O.D.	P.D.	Product No.	6 GROOVES						Wt. (lbs.)	Product No.	10 GROOVES						Wt. (lbs.)
			F = 11/16								F = 1-3/32						
			E*	TYPE	BUSH	K	L	M			E*	TYPE	BUSH	K	L	M	
2.00	2.03	6J200	3/4	E1	JA	19/32	1	1-1/16	1.0	10J200	1-5/32	E1	JA	19/32	1	1-1/16	1.1
2.12	2.15	6J212	3/4	E1	JA	19/32	1	1-1/16	1.1	10J212	1-5/32	E1	JA	19/32	1	1-1/16	1.3
2.24	2.27	6J224	15/32	D1	JA	0	1	5/32	0.8	10J224	9/16	E1	JA	0	1	15/32	1.1
2.36	2.39	6J236	15/32	D1	JA	0	1	5/32	0.9	10J236	9/16	E1	JA	0	1	15/32	1.1
2.50	2.53	6J250	11/32	D1	JA	1/8	1	1/32	0.9	10J250	1/32	A1	JA	1/2	1	1/16	1.1
2.65	2.68	6J265	7/16	D1	JA	1/8	1	1/8	1.0	10J265	1/32	A1	JA	1/2	1	1/16	1.4
2.80	2.83	6J280	11/32	D1	JA	1/8	1	1/32	1.1	10J280	1/32	A1	JA	1/2	1	1/16	1.2
3.00	3.03	6J300	7/16	D1	JA	1/8	1	1/8	1.3	10J300	1/32	A1	JA	1/2	1	1/16	1.8
3.15	3.18	6J315	11/32	D1	JA	1/8	1	1/32	1.4	10J315	1/32	A1	JA	1/2	1	1/16	1.6
3.35	3.38	6J335	11/32	D1	JA	1/8	1	1/32	1.5	10J335	9/32	D1	SH	9/32	1-1/4	1/8	2.1
4.50	4.53	6J450	9/16	D1	SH	0	1-1/4	0	3.5	10J450	9/32	D1	SH	9/32	1-1/4	1/8	3.5
6.00	6.03	6J600	9/16	D1	SH	0	1-1/4	0	4.3	10J600	3/8	D2	SH	11/32	1-1/4	1/8	5.0
8.00	8.03	6J800	9/16	D2	SH	0	1-1/4	0	5.7	10J800	3/8	D2	SH	11/32	1-1/4	1/8	5.0
10.60	10.63	6J1060	11/16	D3	SH	0	1-1/4	1/8	6.9	10J1060	11/16	C3	SK	1/4	1-7/8	1/8	13.2
14.00	14.03	6J1400	15/16	C3	SK	0	1-7/8	1/4	15.6	10J1400	11/16	C3	SK	1/4	1-7/8	1/4	19.2
19.00	19.03	6J1900	15/16	C3	SK	0	1-7/8	1/4	23.7	10J1900	11/16	C3	SK	1/4	1-7/8	1/4	26.3

O.D.	P.D.	Product No.	16 GROOVES						Wt. (lbs.)
			F = 1-21/32						
			E*	TYPE	BUSH	K	L	M	
2.50	2.53	16J250	1-19/32	E1	JA	15/32	1	15/16	1.5
2.65	2.68	16J265	0	D1	JA	1/2	1	11/16	1.4
2.80	2.83	16J280	1/16	D1	JA	1/2	1	3/4	1.5
3.00	3.03	16J300	11/16	D1	SH	0	1-1/4	1	2.6
3.15	3.18	16J315	7/32	A1	SH	25/32	1-1/4	3/16	2.7
3.35	3.38	16J335	7/32	A1	SH	25/32	1-1/4	3/16	2.4
4.50	4.53	16J450	7/32	A1	SH	25/32	1-1/4	3/16	4.0
6.00	6.03	16J600	7/32	A1	SH	25/32	1-1/4	3/16	4.6
8.00	8.03	16J800	5/16	D3	SK	13/32	1-7/8	3/32	12.4

\*\*E" Dimension varies according to shaft tolerance.

Weights for all Sure-Grip bushed items are approximate and include the bushing.



Contact TB Wood's Incorporated for quotes on other belt sections and configurations.



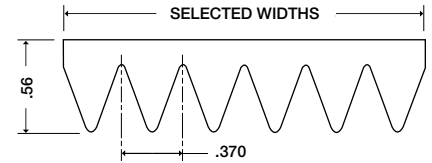
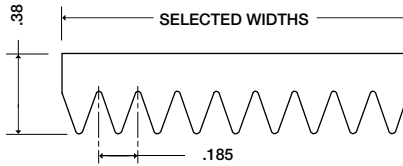
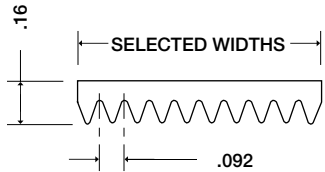
# Poly-V Belting Lengths

The Following Belts Are NOT Stocked, But Are Readily Available

"J" CROSS-SECTION	
PRODUCT NUMBER	OUTSIDE LENGTH
180J	18.5
190J	19.5
200J	20.5
220J	22.5
240J	24.5
260J	26.5
280J	28.5
290J	29.5
300J	30.5
310J	31.5
320J	32.5
340J	34.5
360J	36.5
380J	38.5
400J	40.5
410J	41.5
420J	42.5
430J	43.5
460J	46.5
490J	49.5
520J	52.5
550J	55.5
580J	58.5
610J	61.5
650J	65.5
690J	69.5
730J	73.5
770J	77.5
820J	82.5
840J	84.5
870J	87.5
890J	89.5
920J	92.5

"L" CROSS-SECTION	
PRODUCT NUMBER	OUTSIDE LENGTH
500L	51.0
540L	55.0
560L	57.0
595L	60.5
615L	62.5
635L	64.5
655L	66.5
695L	70.5
725L	73.5
765L	77.5
780L	79.0
795L	80.5
815L	82.5
840L	85.0
865L	87.5
915L	92.5
975L	98.5
990L	100.0
1065L	107.5
1120L	113.0
1150L	116.0
1215L	122.5
1230L	124.0
1295L	130.5
1310L	132.0
1455L	146.5

"M" CROSS-SECTION	
PRODUCT NUMBER	OUTSIDE LENGTH
900M	92.0
940M	96.0
990M	101.0
1060M	108.0
1150M	117.0
1185M	120.0
1230M	125.0
1310M	133.0
1390M	141.0
1470M	149.0
1550M	157.0
1610M	163.0
1650M	167.0
1760M	178.0
1830M	185.0
1980M	200.0
2130M	215.0
2410M	243.0
2560M	258.0
2710M	273.0
3010M	303.0
3310M	333.0
3610M	363.0



	NUMBER OF RIBS - BELT WIDTH								
	4	6	8	10	12	14	16	18	20
"J"	3/8	9/16	NS	15/16	NS	NS	1-1/2	NS	NS
"L"	NS	1-1/8	1-1/2	1-7/8	2-1/4	2-5/8	3	3-3/8	3-3/4
"M"	NS	1-1/4	3	3-3/4	4-1/2	5-1/4	6-1/2	6-3/4	7-1/2

# Wood's Sure-Grip<sup>®</sup> Pulleys

**B5**



- **Statically Balanced**
- **Up to 6500 feet per minute rim speed**
- **Dynamic balance based on rim speed and face width**

# Sure-Grip® Pulleys

## Dimensions

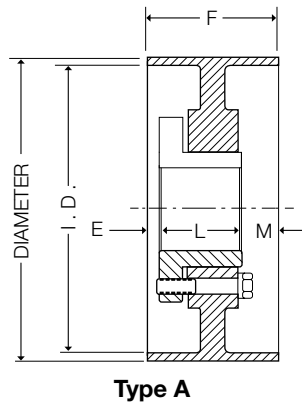
### Dimensions (in inches)

Diameter	I.D.	2" FACE ■						2-3/4" FACE *						3-1/4" FACE *					
		DIMENSIONS						DIMENSIONS						DIMENSIONS					
		E	Type †	Bush.	L	M	Wt.	E	Type †	Bush.	L	M	Wt.	E	Type †	Bush.	L	M	Wt.
4	3.50	-	-	-	-	-	-	1/2	A1	SD	1-13/16	7/16	5.1	1/2	A1	SD	1-13/16	15/16	5.4
5	4.50	-	-	-	-	-	-	1/2	A1	SD	1-13/16	7/16	7.7	1/2	A1	SD	1-13/16	15/16	6.5
6	5.50	1/16	A3	SH	1-1/4	11/16	4.6	1/2	A2	SD	1-13/16	7/16	7.9	1/2	A2	SD	1-13/16	15/16	7.2
7	6.50	1/16	A3	SH	1-1/4	11/16	5.1	1/2	A3	SD	1-13/16	7/16	7.3	1/2	A3	SD	1-13/16	15/16	7.9
8	7.50	1/16	A3	SH	1-1/4	11/16	5.7	1/2	A3	SD	1-13/16	7/16	8.4	1/2	A3	SD	1-13/16	15/16	9.8
9	8.50	1/16	A3	SH	1-1/4	11/16	6.3	1/2	A3	SD	1-13/16	7/16	8.9	1/2	A3	SD	1-13/16	15/16	10.0
10	9.50	1/16	A3	SH	1-1/4	11/16	7.5	1/2	A3	SD	1-13/16	7/16	12.1	1/2	A3	SD	1-13/16	15/16	13.1
11	10.44	1/16	A3	SH	1-1/4	11/16	9.0	1/2	A3	SD	1-13/16	7/16	14.0	1/2	A3	SD	1-13/16	15/16	13.2
12	11.44	1/16	A3	SH	1-1/4	11/16	11.1	1/2	A3	SD	1-13/16	7/16	16.5	3/4	A3	SD	1-13/16	11/16	17.4
14	13.38	0	A3	SDS	1-5/16	11/16	14.0	7/16	A3	SF	2	5/16	22.5	11/16	A3	SF	2	9/16	25.4
16	15.38	0	A3	SDS	1-5/16	11/16	16.6	7/16	A3	SF	2	5/16	25.3	11/16	A3	SF	2	9/16	37.9
18	17.38	-	-	-	-	-	-	0	A3	SF	2	3/4	28.2	1/4	A3	SF	2	1	34.0
20	19.31	-	-	-	-	-	-	0	A3	SF	2	3/4	35.5	1/4	A3	SF	2	1	43.0
24	23.31	-	-	-	-	-	-	-	-	-	-	-	-	1/4	A3	SF	2	1	50.0

Diameter	I.D.	4-1/4" FACE *						5-1/4" FACE *						6-3/8" FACE *					
		DIMENSIONS						DIMENSIONS						DIMENSIONS					
		E	Type †	Bush.	L	M	Wt.	E	Type †	Bush.	L	M	Wt.	E	Type †	Bush.	L	M	Wt.
4	3.50	1/2	A1	SD	1-13/16	1-15/16	6.1	-	-	-	-	-	-	-	-	-	-	-	-
5	4.50	1/2	A1	SD	1-13/16	1-15/16	8.9	-	-	-	-	-	-	-	-	-	-	-	-
6	5.50	5/8	A2	SD	1-13/16	1-13/16	8.4	9/16	A1	SF	2	2-11/16	14.0	9/16	A1	SF	2	3-13/16	15.0
7	6.50	5/8	A3	SD	1-13/16	1-13/16	9.8	9/16	A2	SF	2	2-11/16	17.3	9/16	A1	SF	2	3-13/16	19.8
8	7.50	5/8	A3	SD	1-13/16	1-13/16	10.7	9/16	A2	SF	2	2-11/16	15.5	9/16	A2	SF	2	3-13/16	16.9
9	8.50	13/16	A3	SD	1-13/16	1-5/8	11.9	3/4	A3	SF	2	2-1/2	19.3	3/4	A2	SF	2	3-5/8	22.4
10	9.50	13/16	A3	SD	1-13/16	1-5/8	15.4	3/4	A3	SF	2	2-1/2	19.2	3/4	A3	SF	2	3-5/8	21.0
11	10.44	13/16	A3	SD	1-13/16	1-5/8	17.6	3/4	A3	SF	2	2-1/2	31.1	3/4	A3	SF	2	3-5/8	28.7
12	11.44	1-3/16	A3	SF	2	1-1/16	23.0	1-1/4	A3	SF	2	2	27.3	1-3/4	A3	SF	2	2-5/8	28.4
14	13.38	1-3/16	A3	SF	2	1-1/16	28.5	1-1/4	A3	SF	2	2	36.3	1-3/4	A3	SF	2	2-5/8	34.2
16	15.38	1-3/16	A3	SF	2	1-1/16	32.3	1-1/4	A3	SF	2	2	38.3	1-3/4	A3	SF	2	2-5/8	41.3
18	17.38	3/4	A3	SF	2	1-1/2	39.0	1-1/4	A3	SF	2	2	42.6	1-3/4	A3	SF	2	2-5/8	47.2
20	19.31	3/4	A3	SF	2	1-1/2	43.4	1-1/4	A3	SF	2	2	51.5	1-3/4	A3	SF	2	2-5/8	57.5
24	23.31	3/4	A3	SF	2	1-1/2	65.2	31/32	A3	E	2-5/8	1-21/32	69.6	1-15/32	A3	E	2-5/8	2-9/32	88.5

Weights for all Sure-Grip bushed items are approximate and include the bushing.  
 \* When ordering it is necessary to specify if face is to be S = Straight or C = Crown.  
 ■ The 2" face width is available with straight face only.

† Type refers to construction:  
 A1 – Solid, A2 – Web, A3 – Arms



### Dimensions (in inches)

Diameter	I.D.	8-3/8" FACE *						10-1/2" FACE *						12-1/2" FACE *						
		DIMENSIONS					Wt.	DIMENSIONS					Wt.	DIMENSIONS					Wt.	
		E	Type †	Bush.	L	M		E	Type †	Bush.	L	M		E	Type †	Bush.	L	M		
8	7.50	1-3/32	A1	E	2-5/8	4-21/32	32.4	-	-	-	-	-	-	-	-	-	-	-	-	-
9	8.50	1-15/32	A2	E	2-5/8	4-9/32	33.8	-	-	-	-	-	-	-	-	-	-	-	-	-
10	9.50	1-15/32	A2	E	2-5/8	4-9/32	38.1	1-15/32	A2	E	2-5/8	6-13/32	45.8	-	-	-	-	-	-	-
11	10.44	1-15/32	A3	E	2-5/8	4-9/32	40.6	1-15/32	A2	E	2-5/8	6-13/32	53.8	-	-	-	-	-	-	-
12	11.44	2-15/32	A3	E	2-5/8	3-9/32	39.7	3-15/32	A3	E	2-5/8	4-13/32	52.8	3-7/16	A2	J	4-1/2	4-9/16	94.8	
14	13.38	2-15/32	A3	E	2-5/8	3-9/32	49.4	3-15/32	A3	E	2-5/8	4-13/32	65.7	3-7/16	A3	J	4-1/2	4-9/16	107.9	
16	15.38	2-15/32	A3	E	2-5/8	3-9/32	60.8	3-15/32	A3	E	2-5/8	4-13/32	80.0	3-7/16	A3	J	4-1/2	4-9/16	117.4	
18	17.38	2-15/32	A3	E	2-5/8	3-9/32	69.3	2-7/16	A3	J	4-1/2	3-9/16	110.8	3-7/16	A3	J	4-1/2	4-9/16	132.0	
20	19.31	2-15/32	A3	E	2-5/8	3-9/32	75.6	2-7/16	A3	J	4-1/2	3-9/16	122.8	3-7/16	A3	J	4-1/2	4-9/16	151.1	
24	23.31	2-15/32	A3	E	2-5/8	3-9/32	104.2	2-7/16	A3	J	4-1/2	3-9/16	152.5	3-7/16	A3	J	4-1/2	4-9/16	175.5	

Weights for all Sure-Grip bushed items are approximate and include the bushing.  
 \* When ordering it is necessary to specify if face is to be S = Straight or C = Crown.

† Type refers to construction:  
 A1 – Solid, A2 – Web, A3 – Arms

### Ordering Example

16838S = 16.0 O.D. x 8-3/8 Straight Face  
 16838C = 16.0 O.D. x 8-3/8 Crown Face

# MTO Sheaves And Pulleys

## Specifications

The flexibility of Wood's engineering, foundry and machine shop facilities allows us to design and manufacture special non-standard sheaves and pulleys to meet a variety of customer requirements. Sheaves and pulleys up to 108 inches O.D., with any face width can be built to customer designs or can be designed by Wood's experienced engineers to customer specification.

### BALANCE

**STATIC** – All sheaves and pulleys are statically (one plane) balanced.

**DYNAMIC** – The need for dynamic (two plane) balance is based on both rim speed and face width.

All pulleys and sheaves are given either a static or dynamic balance which is equal to or better than the standards established by The Mechanical Power Transmission Association.

### BELT LOADS

Single arm pulleys, with standard rims, are designed for 80 lbs. maximum effective belt tension per inch of width. Multiple arm pulleys are designed for and have rims for 120 lbs. maximum effective belt tension per inch of width (extra heavy construction). Both single arm and multiple arm pulleys can be furnished for belts having higher effective tensions than indicated above. See table below.

Effective Tension	Construction
80 lb.	DB
120 lb.	XH
160 lb.	XXH
200 lb.	XXXH
over 200 lb.	Special

If pulley is used with Nylon belting imposed belt loads or manufacturer's belt code, belt width, horsepower, rpm, and installation tension must be furnished to establish construction needed.

### BORE

Sheaves and pulleys may be furnished bored-to-size or with mating hubs to accept Sure-Grip bushings at slight extra cost. Sure-Grip bushings are equivalent to a press fit and are preferable to straight machined bores. Straight machined bores, unless otherwise specified, are furnished with tolerances in accordance to MPTA standards. Actual tolerances will be furnished upon application for the specific hub length and bore size.

### CAST IRON

Unless specified otherwise, all made-to-order sheaves and pulleys are constructed of fine grain, high tensile cast iron, and have been carefully engineered to assure maximum performance. Wood's cast iron sheaves and pulleys are designed for safe operation up to 6500 feet per minute rim speed.

### CONSTRUCTION

The number and type of arms, including web centers, is determined by the diameter, face width, rim speed and type of service for which the sheave or pulley is intended. Split pulleys to operate at rim speeds of 4,000 fpm and faster must be made split-thru-the-arm construction. All ductile iron split-type pulleys are furnished only with split-thru-the-arm construction.

For heavy-duty application and where specifications are such that arm construction cannot be used, web center construction is recommended.



Solid



Clamp Hub



Split



Split Thru Arm

### CONVEYOR PULLEYS

Conveyor head and tail pulleys may be furnished in any width and with crowned or straight faces. In specifying your requirements, give both the desired face width and the actual belt width.

### CROWN

All pulleys are furnished with standard crowns unless otherwise specified. The height of this crown equals .008 times the face width with a maximum height of .2". The crown is either a round or a modified round crown on all pulleys up to and including 36" diameter. Straight taper crowns are furnished on pulleys over 36" O.D. Straight faced pulleys can be supplied at no additional cost when specified with order.



### DIAMETER

Pulleys are specified by nominal outside diameter measured at the highest point of the crown. Nominal diameters generally finish smaller than diameters listed compensating for belt thickness in speed calculations. Diameters will vary in accordance with the following tolerances.

Sheaves are specified according to pitch diameter. They are available in all standard Classical and Narrow cross sections in diameters ranging up to 108" O.D. All sheaves are machined to industry tolerances.

Exact diameters to closer tolerances can be furnished at additional cost when so specified. Sheaves and pulleys are available in any diameter up to and including 108" O.D. Pulley diameters are usually specified in increments of inches, but fractional inch diameters are also available.

### DUCTILE IRON

When specified or when an application requires it, Ductile Iron can be furnished instead of Cast Iron. Alloy 80-55-06 "as cast" Ductile Iron is furnished unless otherwise specified. Alloy 65-45-12 "as cast" or "annealed" can be furnished for maximum toughness on shock loaded applications; and alloy 100-70-03 "as cast" can be supplied when maximum tensile strength is required. A limiting rim speed of 10,000 FPM is normally applied to all Ductile Iron products.

### FLYWHEELS

Flywheels to provide any desired  $WR^2$  can be supplied with a variety of features. Special programs for our engineering computer helps Wood's designers provide prompt assistance with flywheel design.

The  $WR^2$ , [(flywheel effect) = Wt. (lbs.) x mean radius (feet) square], of standard pulleys will be given upon application. If additional flywheel effect is required on a pulley or sheave, additional weight can be added to the rim to obtain the desired  $WR^2$ . The approximate rim weight from which the approximate  $WR^2$  can be calculated is determined as follows: Mean diameter (inches) x width (inches) x thickness (inches) x .82 = Weight, lbs.



# MTO Sheaves And Pulleys

---

## Specifications

### HUBS

Diameter of cast iron sheave and pulley hubs are proportioned to diameter, face, bore and conditions of service. Lengths of cast iron sheave and pulley hubs vary in accordance with construction but usually equal approximately two-thirds of the face width; the exception being for pulleys or sheaves with face widths less than 3", then the hub length is greater than two-thirds of the face width. Exact diameter and length of a specific pulley or sheave hub will be furnished upon application.

### IDLERS

Idler pulleys and sheaves are available on special order for either porous bronze bushings or ball bearings. RPM, radial load, length and location of hub should be specified on the order. Sure-Grip idler bushings can be used for idler service.

### KEYSEAT

Pulleys and sheaves, when bored-to-size, are furnished with one keyseat and two setscrews, one over the key, the other at 90°. The size of the keyseat will be to MPTA Standard unless otherwise specified. Special and additional keyseats, straight or tapered, can be supplied when specified. When two keyseats are required, they will be located 180° apart unless otherwise specified. However, if pulleys are of split construction, they must be 180° apart.

### LAGGED PULLEYS

Rubber lagging of 65-70 durometer with a minimum thickness of 1/4-inch can be furnished vulcanized to the pulley. The type of rubber and thickness will be furnished to customer specifications.



### SPEEDS

Sheaves and pulleys made in solid cast iron construction may be run safely at rim speeds up to 6500 fpm. For rim speeds above 6500 fpm, ductile iron is required.

Dynamic balance may be required for safe operation at these speeds depending upon face width or number of grooves.

Limiting rim speed for cast iron pulleys of split-between-the-arms construction is 4000 fpm; for split-thru-the-arm construction, 6000 fpm. Limiting rim speed for Wood's ductile iron split-thru-the-arm construction pulleys is 10,000 fpm.

### TAPER CONE PULLEYS

Taper cone pulleys are built to customer specifications in cast or ductile iron and with any hub and arm design.



### V-FLAT PULLEYS

Straight face cast iron pulleys are suitable for use with V-belts on V-flat drives. Standard pulleys can be used with "A", "B" and "C" belts. Extra heavy pulleys must be used with "D" and "E" V-belts.



# General Engineering Information

**BEV**

- **Tensioning Drives**
- **Idler Usage**
- **V-Flat Drive Design**
- **Quarter Turn Drive Design**
- **Belt Pull & Bearing Loads**

Below are some terms and abbreviations used on the following pages.

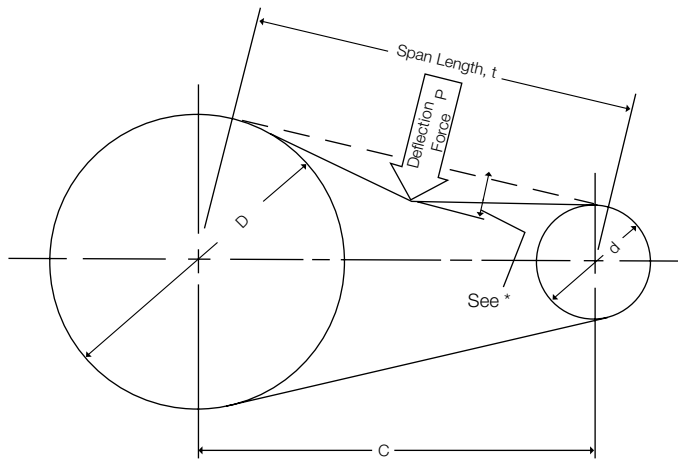
**HP** = Horsepower  
**DHP** = Design Horsepower  
**RPM** = Revolutions Per Minute  
**D** = Large Diameter Wheel

**A** = Arc Correction Factor  
**Lc** = Length Correction Factor  
**C** = Center Distance  
**d** = Small Diameter Wheel

# Tensioning V-Belt Drives

## Force Deflection Method

This method of tensioning should be used only for drives on which the grade of belt, rated belt capacity, service factor, design horsepower, etc. are known. If the drive has been designed in accordance with this catalog, or others with current horsepower ratings, the method outlined here is valid. When replacing belts on an older design, it would be recommended to review the capacity of the drive per current belt ratings. Due to the progressive development of belt horsepower ratings over time, older drives which were designed properly when new may now be drastically oversized. This could lead to excessive bearing load or excessive shaft deflection.



$$t = \sqrt{C^2 - \left(\frac{D-d}{2}\right)^2}$$

$$h = \frac{t}{64}$$

where  $t$  = Span length, inches  
 $C$  = Center distance, inches  
 $D$  = Larger sheave diameter, inches  
 $d$  = Smaller sheave diameter, inches

\* Deflection height  $h = 1/64$  per inch of span

Figure 2

- Step 1: Install belts per Step 1 of General Method above. Measure span length ( $t$ ) in inches as shown in figure 2, or calculate using formula.
- Step 2: From figure 2 the deflection height ( $h$ ) is always  $1/64$ " per inch of span length ( $t$ ). For example, a 32" span length would require a deflection of  $32/64$ " or  $1/2$ ".
- Step 3: Determine the minimum, maximum, and initial recommended pounds force using table 1 or calculate based on the required Static Strand Tension ( $T_S$ ). Note: The initial recommended force is used only for installing new belts which have not seated themselves into the sheave grooves and where initial belt stretch has not taken place.
- Step 4: Using a spring scale, apply a perpendicular force to any ONE of the belts at the mid point of the span as shown in figure 2. Compare this deflection force with the values found in Step 3.
  - a. If the deflection force is below the minimum, the belts are too loose and the tension should be increased by increasing the center distance.
  - b. If the deflection force is higher than the maximum, the belts are too tight and the tension should be decreased.

When new V-belts are installed on a drive the INITIAL tension will drop rapidly during the first few hours. Check tension during the first 24 hours of operation. Subsequent retensioning should fall between the minimum and maximum force.

To determine the deflection distance from normal position, use a straightedge or stretch a cord from sheave to sheave to use as a reference line. On multiple-belt drives an adjacent undeflected belt can be used as a reference.

# Tensioning V-Belt Drives

Minimum deflection force values shown in table 1 are based on assumed average static tensions for drives having multiple belts or more than one V-band, thus eliminating calculations. (For drives using only one belt or one V-band, deflection force must be determined by use of engineering formulas.)

Find the minimum recommended deflection force for the belt section and type based upon the small sheave diameter, speed and drive ratio. For intermediate sheave diameters and/or drive ratio combinations, the minimum deflection force may be interpolated.

MAXIMUM Deflection Force = Minimum times 1.5

INITIAL Deflection Force = Minimum times 2.0

For Narrow Banded, Classical Banded, and Classical Cog Banded belts, multiply the minimum deflection force from table 1 by the number of belts in the band. Where larger values make use of the Force Deflection Method impractical, use the Elongation Method to tension V-bands.

**Table 2. K FACTORS AND ARC OF CONTACT**

D - d C	Arc Contact Degree	Factor		D - d C	Arc Contact Degree	Factor	
		Ac	K			Ac	K
0.000	180	1.000	24.750	0.750	136	0.879	30.411
0.025	179	0.997	24.883	0.775	134	0.874	30.688
0.050	177	0.994	25.019	0.800	133	0.869	30.975
0.075	176	0.990	25.158	0.825	131	0.864	31.270
0.100	174	0.987	25.300	0.850	130	0.858	31.576
0.125	173	0.983	25.444	0.875	128	0.852	31.892
0.150	171	0.980	25.591	0.900	127	0.847	32.219
0.175	170	0.977	25.742	0.925	125	0.841	32.558
0.200	169	0.973	25.896	0.950	123	0.835	32.909
0.225	167	0.969	26.053	0.975	122	0.829	33.273
0.250	166	0.966	26.213	1.000	120	0.823	33.652
0.275	164	0.962	26.377	1.025	118	0.816	34.045
0.300	163	0.958	26.545	1.050	117	0.810	34.454
0.325	161	0.954	26.717	1.075	115	0.803	34.879
0.350	160	0.951	26.892	1.100	113	0.796	35.323
0.375	158	0.947	27.072	1.125	112	0.789	35.786
0.400	157	0.943	27.257	1.150	110	0.782	36.270
0.425	155	0.939	27.445	1.175	108	0.774	36.777
0.450	154	0.935	27.639	1.200	106	0.767	37.307
0.475	153	0.930	27.837	1.225	104	0.759	37.864
0.500	151	0.926	28.040	1.250	103	0.751	38.448
0.525	150	0.922	28.249	1.275	101	0.742	39.064
0.550	148	0.917	28.463	1.300	99	0.734	39.713
0.575	147	0.913	28.684	1.325	97	0.725	40.398
0.600	145	0.908	28.910	1.350	95	0.716	41.123
0.625	144	0.904	29.142	1.375	93	0.706	41.892
0.650	142	0.899	29.381	1.400	91	0.697	42.709
0.675	141	0.894	29.627	1.425	89	0.687	43.580
0.700	139	0.889	29.881				
0.725	137	0.884	30.142				

**Table 1. RECOMMENDED MINIMUM FORCE PER BELT**

Belt Section	Small Sheave		Drive Ratio					
	Speed Range	Dia.	1.0	1.5	2.0	4.0 & Over		
Narrow	3V	1200-3600	2.65	2.0	2.4	2.6	3.0	
		1200-3600	3.65	2.8	3.6	3.8	4.2	
		1200-3600	4.75	3.8	4.2	4.4	4.8	
		1200-3600	5.60	4.2	4.6	4.8	5.4	
		1200-3600	6.90	4.6	5.0	5.2	5.6	
	5V	900-1800	7.1	8.5	9.5	10	11	
		900-1800	9.0	10	11	12	13	
		900-1800	14.0	12	13	14	15	
		700-1200	21.2	14	15	16	17	
	8V	900-1800	12.5	18	21	23	25	
		900-1800	14.0	21	23	24	28	
		700-1500	17.0	24	26	28	30	
		700-1200	21.2	28	30	32	34	
		400-1000	24.8	31	32	34	36	
	Narrow Cog	3VX	1200-3600	2.20	2.2	2.5	2.7	3.0
1200-3600			2.50	2.6	2.9	3.1	3.6	
1200-3600			3.00	3.1	3.5	3.7	4.2	
1200-3600			4.12	3.9	4.3	4.5	5.1	
1200-3600			5.30	4.6	4.9	5.1	5.7	
1200-3600			6.9	5.0	5.4	5.6	6.2	
5VX		1200-3600	4.4	6.5	7.5	8.0	9.0	
		1200-3600	5.2	8.0	9.0	9.5	10	
		1200-3600	6.3	9.5	10	11	12	
		1200-3600	7.1	10	11	12	13	
		900-1800	9.0	12	13	14	15	
		900-1800	14.0	14	15	16	17	
Classical		AP	1800-3600	3.0	2.0	2.3	2.4	2.6
			1800-3600	4.0	2.6	2.8	3.0	3.3
			1800-3600	5.0	3.0	3.3	3.4	3.7
	1800-3600		7.0	3.5	3.7	3.8	4.3	
	BP	1200-1800	4.6	3.7	4.3	4.5	5.0	
		1200-1800	5.0	4.1	4.6	4.8	5.6	
		1200-1800	6.0	4.8	5.3	5.5	6.3	
		1200-1800	8.0	5.7	6.2	6.4	7.2	
	CP	900-1800	7.0	6.5	7.0	8.0	9.0	
		900-1800	9.0	8.0	9.0	10	11	
		900-1800	12.0	10	11	12	13	
		700-1500	16.0	12	13	13	14	
	DP	900-1500	12.0	13	15	16	17	
		900-1500	15.0	16	18	19	21	
		700-1200	18.0	19	21	22	24	
700-1200		22.0	22	23	24	26		
Classical Cog	AX	1800-3600	3.0	2.5	2.8	3.0	3.3	
		1800-3600	4.0	3.3	3.6	3.8	4.2	
		1800-3600	5.0	3.7	4.1	4.3	4.6	
		1800-3600	7.0	4.3	4.6	4.8	5.3	
	BX	1200-1800	4.6	5.2	5.8	6.0	6.9	
		1200-1800	5.0	5.4	6.0	6.3	7.1	
		1200-1800	6.0	6.0	6.4	6.7	7.7	
		1200-1800	8.0	6.6	7.1	7.5	8.2	
	CX	900-1800	7.0	10	11	12	13	
		900-1800	9.0	11	12	13	14	
		900-1800	12.0	12	13	13	14	
		700-1500	16.0	13	14	14	15	
DX	900-1500	12.0	16	18	19	20		
	900-1500	15.0	19	21	22	24		
	700-1200	18.0	22	24	25	27		
	700-1200	22.0	25	27	28	30		

# Tensioning V-Belt Drives

## Force Deflection Engineering Formulas

For a more precise method, or where a V-drive combination is not within specified limits, table 1, use the following engineering formulas to determine force deflection values.

Step 1: Determine Span Length (t) and Deflection Height (h).  
Reference figure 2.

Step 2: Calculate the Static Strand Tension (Ts).

$$T_s = \frac{K \times DHP}{N \times S} + \frac{MS^2}{2}$$

Step 3: Calculate the recommended Deflection Forces (P) for drives using multiple belts or more than one V-band.

$$P_{\text{Minimum}} = \frac{T_s + Y}{16}$$

$$P_{\text{Maximum}} = \frac{1.5(T_s) + Y}{16}$$

$$P_{\text{Initial}} = 1.33 \text{ times } P_{\text{Maximum}}$$

### Explanation of Symbols

$A_c$	=	Arc of contact – smaller sheave, degrees
$C$	=	Center distance, inches
$D$	=	Larger sheave pitch diameter, inches
$d$	=	Smaller sheave pitch diameter, inches
DHP	=	Design horsepower based upon the recommended application service factor
$h$	=	Deflection height, inches (Refer. figure 2)
$K$	=	Value from table 2 depending on $\frac{D-d}{C}$ or $K = 16.5 \left( \frac{2.5 - A_c}{A_c} \right)$
$L$	=	Belt length, inches
$M$	=	Centrifugal constant table 3
$N$	=	Number of belts or V-band ribs
$P$	=	Deflection force, pounds
$S$	=	Belt speed, FPM/1000
$t$	=	Span length, inches (Refer. figure 2)
$Y$	=	Belt constant table 3

Note: For drives using only one belt or one V-band, and at least one shaft free to rotate use the following to determine the recommended Deflection Forces (P).

$$P_{\text{Minimum}} = \frac{T_s + Y \left( \frac{t}{L} \right)}{16}$$

$$P_{\text{Maximum}} = \frac{1.5(T_s) + Y \left( \frac{t}{L} \right)}{16}$$

$$P_{\text{Initial}} = 1.33 \text{ times } P_{\text{Maximum}}$$

**Table 3. BELT CONSTANTS M AND Y**

Factors	Narrow			Narrow Cog		Classical					Classical COG			
	3V	5V	8V	3VX	5VX	AP	BP	CP	DP	EP	AX	BX	CX	DX
M Single Belts	.46	1.23	3.28	.39	1.08	.66	1.08	1.98	3.74	5.85	.61	1.00	1.78	3.97
M V-Band	.51	1.32	3.80	.43	1.17	-	1.40	2.33	4.29	6.26	-	1.28	2.10	4.56
Y	4.0	12.00	22.00	7.0	20.0	6.0	9.0	16.0	30.00	45.00	7.0	10.00	28.00	82.00

This method is recommended for V-band drives where larger deflecting forces make the use of previously described methods impractical.

Elongation is related to the tension causing it; thus, tape measured V-band lengths, both slack and tight, can be used to obtain proper V-band tension.

Step 1: Decrease the center distance until the V-band(s) can be easily slipped into the sheave grooves. Forcing the belts on can damage the load-carrying cords and cause premature belt failure.

Step 2: With the V-band(s) still on the drive at NO tension, measure the outside circumference (slack O.C.) of the bands. Note: If retensioning a used drive, decrease the center distance until there is no tension on the band(s), then measure the outside circumference (slack O.C.) of the band(s).

Step 3: Determine the required Static Tension (Ts) per individual rib strand using the following formula.

$$T_s = \frac{K \times DHP}{N \times S} + \frac{MS^2}{2}$$

Step 4: Find a range of recommended tensions.

Lower Tension = Ts

Upper Tension = 1.5 times Ts

Step 5: Calculate minimum and maximum elongated band lengths for use in tensioning the drive.

- a. From table 4, find length multipliers corresponding to the lower and upper Ts values in Step 4 above.
- b. Multiply the slack O.C. found in Step 2 by the length multipliers to find the minimum and maximum elongated band lengths.

Step 6: Increase the drive center distance until a tape measurement of the band(s) O.C. is between the two values calculated for elongated band length Step 5b.

Step 7: Retension as required. New V-bands may lose tension rapidly during the run-in period and will probably require retensioning. V-bands that have been on a drive for some time may also require retensioning due to tension decay from normal use and wear.

# Tensioning V-Belt Drives

**Table 4. BELT LENGTH MULTIPLIERS FOR TENSIONING BANDED BELTS**

Ts Per Strand (lbs.)	NARROW BANDED					CLASSICAL BANDED					CLASSICAL COG BANDED		
	CROSS SECTION										BX All Sizes	CX All Sizes	DX All Sizes
	3V	5V		8V		BP		CP		DP			
	5V1700 & under	5V1800 & over	8V1700 & under	8V1800 & over	BP144 & under	Over BP144	CP144 & under	Over CP144					
10	1.00186	1.00056	1.00001	1.00013	1.00010	1.00113	1.00141	1.00029	1.00052	1.00013	1.00082	1.00027	1.00013
12	1.00220	1.00068	1.00097	1.00016	1.00012	1.00135	1.00168	1.00035	1.00062	1.00016	1.00098	1.00032	1.00016
14	1.00254	1.00079	1.00113	1.00019	1.00014	1.00157	1.00194	1.00041	1.00072	1.00019	1.00114	1.00038	1.00019
16	1.00288	1.00090	1.00129	1.00021	1.00016	1.00178	1.00220	1.00046	1.00082	1.00021	1.00129	1.00043	1.00021
18	1.00320	1.00101	1.00144	1.00024	1.00018	1.00199	1.00246	1.00052	1.00092	1.00024	1.00145	1.00048	1.00024
20	1.00352	1.00112	1.00159	1.00027	1.00020	1.00220	1.00271	1.00058	1.00102	1.00027	1.00160	1.00054	1.00027
24	1.00414	1.00133	1.00190	1.00032	1.00024	1.00261	1.00320	1.00069	1.00122	1.00033	1.00191	1.00065	1.00032
28	1.00472	1.00155	1.00219	1.00037	1.00029	1.00301	1.00368	1.00081	1.00141	1.00038	1.00220	1.00075	1.00038
32	1.00520	1.00176	1.00249	1.00043	1.00033	1.00339	1.00414	1.00092	1.00161	1.00044	1.00250	1.00086	1.00043
36	1.00556	1.00197	1.00277	1.00048	1.00037	1.00377	1.00458	1.00104	1.00180	1.00050	1.00278	1.00097	1.00049
40	1.00588	1.00217	1.00305	1.00054	1.00042	1.00413	1.00500	1.00115	1.00199	1.00056	1.00306	1.00107	1.00054
45	1.00625	1.00243	1.00340	1.00060	1.00047	1.00458	1.00529	1.00129	1.00222	1.00063	1.00341	1.00121	1.00061
50	1.00659	1.00268	1.00374	1.00067	1.00053	1.00500	1.00553	1.00144	1.00246	1.00071	1.00374	1.00134	1.00068
55	1.00691	1.00293	1.00406	1.00074	1.00058	1.00528	1.00574	1.00158	1.00268	1.00078	1.00407	1.00147	1.00075
60	1.00722	1.00317	1.00438	1.00081	1.00064	1.00553	1.00591	1.00172	1.00291	1.00086	1.00439	1.00161	1.00081
65	1.00754	1.00341	1.00470	1.00088	1.00070	1.00576	1.00606	1.00186	1.00313	1.00094	1.00470	1.00174	1.00088
70	1.00787	1.00365	1.00500	1.00095	1.00076	1.00596	1.00620	1.00200	1.00335	1.00102	1.00500	1.00187	1.00095
75	1.00822	1.00389	1.00523	1.00101	1.00082	1.00614	1.00632	1.00214	1.00357	1.00110	1.00522	1.00200	1.00102
80	1.00861	1.00412	1.00545	1.00108	1.00088	1.00631	1.00644	1.00228	1.00378	1.00118	1.00543	1.00213	1.00109
85	1.00903	1.00434	1.00566	1.00115	1.00094	1.00646	1.00656	1.00242	1.00399	1.00127	1.00563	1.00227	1.00116
90	1.00949	1.00456	1.00586	1.00122	1.00100	1.00659	1.00668	1.00256	1.00420	1.00135	1.00581	1.00240	1.00123
95	1.01000	1.00478	1.00606	1.00129	1.00106	1.00672	1.00682	1.00270	1.00441	1.00144	1.00599	1.00253	1.00130
100	1.01056	1.00500	1.00625	1.00136	1.00113	1.00684	1.00697	1.00284	1.00461	1.00152	1.00616	1.00266	1.00137
120	1.01333	1.00561	1.00696	1.00164	1.00139	1.00727	1.00780	1.00339	1.00528	1.00188	1.00679	1.00319	1.00166
140	1.01692	1.00617	1.00765	1.00192	1.00166	1.00771	1.00912	1.00393	1.00579	1.00226	1.00736	1.00371	1.00195
160	1.02081	1.00672	1.00836	1.00220	1.00194	1.00827	1.01104	1.00447	1.00627	1.00265	1.00793	1.00423	1.00224
180	1.02385	1.00728	1.00913	1.00249	1.00223	1.00902	1.01357	1.00500	1.00675	1.00306	1.00854	1.00474	1.00253
200	1.02655	1.00787	1.01000	1.00277	1.00254	1.01000	1.01718	1.00534	1.00724	1.00349	1.00922	1.00525	1.00283
240	1.03118	1.00921	1.01213	1.00335	1.00319	1.01279	1.02268	1.00607	1.00832	1.00440	1.01090	1.00625	1.00343
280	1.03579	1.01088	1.01524	1.00395	1.00389	1.01663	1.02737	1.00692	1.00963	1.00542	1.01313	1.00724	1.00405
320	1.04070	1.01292	1.01834	1.00454	1.00461	1.02088	1.03275	1.00797	1.01124	1.00656	1.01590	1.00824	1.00468
360	1.04671	1.01562	1.02162	1.00515	1.00543	1.02423	1.03853	1.00926	1.01317	1.00771	1.01925	1.00924	1.00532
400	1.05308	1.01826	1.02526	1.00575	1.00631	1.02708	1.04393	1.01081	1.01580	1.00886	1.02229	1.01026	1.00598
450	-	1.02179	1.03056	1.00652	1.00744	1.03072	1.05000	1.01311	1.01877	1.01028	1.02625	1.01156	1.00683
500	-	1.02558	1.03643	1.00732	1.00859	1.03425	-	1.01610	1.02186	1.01164	1.03000	1.01292	1.00768
550	-	1.02927	1.04200	1.00813	1.00976	1.03781	-	1.01888	1.02500	1.01293	1.03354	1.01435	1.00856
600	-	1.03286	1.04642	1.00896	1.01094	1.04158	-	1.02169	1.02813	1.01413	1.03685	1.01557	1.00946
650	-	1.03632	1.05000	1.00982	1.01213	1.04567	-	1.02449	1.03123	1.01524	1.04000	1.01729	1.01037
700	-	1.03967	-	1.01071	1.01331	1.05000	-	1.02718	1.03426	1.01625	1.04333	1.01919	1.01130
750	-	1.04310	-	1.01163	1.01449	-	-	1.03000	1.03719	1.01718	1.04667	1.02126	1.01224
800	-	1.04655	-	1.01257	1.01571	-	-	1.03282	1.04000	1.01802	1.05000	1.02372	1.01320
850	-	1.05000	-	1.01354	1.01689	-	-	1.03563	1.04268	1.01833	-	1.02607	1.01418
900	-	-	-	1.01454	1.01887	-	-	1.03838	1.04524	1.01936	-	1.02840	1.01518
950	-	-	-	1.01561	1.01927	-	-	1.04101	1.04768	1.02044	-	1.03068	1.01619
1000	-	-	-	1.01667	1.02049	-	-	1.04345	1.05000	1.02156	-	1.03209	1.01717

## Use Of Idlers - V-Belt Drives

Idlers are occasionally used in the design of classical and narrow V-belt drives for various reasons:

1. To provide take-up for fixed center drives.
2. To clear obstructions,
3. To subdue belt whip on long center drives.
4. To maintain tension when the idler is spring loaded or weighted.

Idlers should be avoided where possible because they either reduce the horsepower rating or shorten belt life. Idlers should be located, if at all possible, on the slack side of the drive. This is especially true when spring loaded or weighted idlers are being used. This keeps the spring force or the weight to a minimum. Caution should be exercised in applying spring loaded or weighted idlers to a reversing drive. In such a case the slack side can become the tight side, and vice versa. A common serious fault in designing drives is the use of idlers, which are too small. The use of such idlers introduces severe reverse ending stresses in the belt or belts, resulting in drastically reduced belt life.

Idlers may be placed either inside or outside the drive.

A flat idler pulley, either inside or outside, should be located as close as possible to the preceding sheave.

This is because V-belts move back and forth slightly on a flat pulley and locating it as far away from the next sheave minimizes the possibility of the belt entering that sheave in a misaligned condition.

### OUTSIDE IDLERS

An outside idler increases the arc of contact, but the amount of take-up, in the case of take-up idlers, will be limited by the belt on the opposite side of the drive. Outside idlers are always flat because they contact the top of the V-belts. Outside flat idlers should be one third larger than the smallest loaded sheave. It should be remembered that the smallest loaded sheave should not be smaller than the minimum recommended diameter for the cross section.

### INSIDE IDLERS

An inside idler decreases the arc of contact on the adjacent sheaves. Inside idlers may be either flat or grooved for classical V-belts, but in the case of narrow V-belt they should be a grooved sheave. An inside idler sheave may be located at any point along the span, preferably so that it gives nearly equal arcs of contact on the two adjacent sheaves. Inside idlers should be at least as large in diameter as the smallest loaded sheave.

### IDLER MOUNTING

Mounting brackets for idlers should be sturdily constructed and meticulously aligned. It is frequently found that drive problems described as "belt stretch," "belt instability," "short belt life," "belt roughness," "belt vibration," and many others are traceable to flimsy idler brackets, bearings, etc. the idler mounting must be designed to be capable of withstanding forces imposed by the operating belt tensions.

### SERVICE FACTORS

If the above recommendations are followed it is possible to design satisfactory V-belt drives using idlers. However, idlers always impose an additional bending stress on the belt. This reduces the belt horsepower rating. This is reflected by an addition to the service factor when designing.

**For each idler on the slack side (inside) add 0.0**

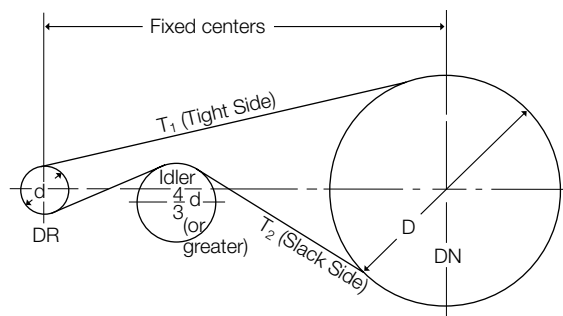
**For each idler on the slack side (outside) add 0.1**

**For each idler on the tight side (inside) add 0.1**

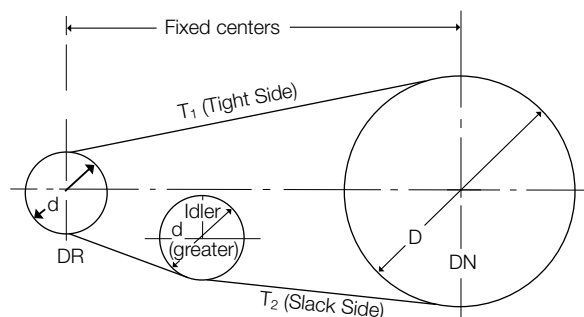
**For each idler on the tight side (outside) add 0.2**

If the horsepower ratings are not reduced to account for the use of an idler, belt life will be reduced. The horsepower rating of a drive or its life expectancy is drastically reduced when idlers below the minimum recommended diameter are used. The bending stress induced in the belt becomes greater as the idler diameter becomes smaller.

### CENTER DISTANCES MUST BE FIXED AND RIGID



Typical Outside Flat Idler Arrangement



Typical Inside Idler Arrangement



# V-Flat Drive Selection

---

As the name indicates, a V-Flat drive is one which uses a grooved sheave and a flat pulley. Usually the sheave is the small wheel and the pulley is the large wheel. Such drives came into prominence during the period when a large number of flat-belt drives were being converted to use V-Belts. The reason for the use of V-Flat drives was that a more economical conversion could be made if the large pulley or flywheel already on hand did not have to be discarded.

The feasibility of the V-Flat drive is based on the arc of contact on the flat pulley. The arc of contact depends on the relative sheave and pulley diameters and the center distance. The best results are achieved when the drive combination results in a value as close as possible to:

$$\frac{D - d}{C} = .85 \text{ (arc of contact)}$$

**Where: D = large pulley diameter**  
**d = small sheave diameter**  
**C = center distance**

A V-Flat drive will also operate at values other than "ideal"; however, it requires more tension to keep the belts from slipping on the flat pulley. The arc of contact determines whether a V-Flat drive is practical, and the value from the above formula must be over **.5** but not greater than **1.1**.

Before selecting a V-Flat drive, the following information pertaining to the application is required:

1. Horsepower, RPM, and Type of Prime Mover
2. Desired RPM and Type of DriveN Machine
3. Shaft Diameter of Prime Mover
4. Center Distance between shafts
5. Hours DriveN Machine will operate per day

In addition to above information, you will need to know several facts pertaining to the pulley:

1. Outside Diameter
2. Face Width
3. Straight or Crown

Preferably the pulley should be straight face for best operation. However, if the pulley is crowned (crown is the difference between the diameter at the center and edge of the pulley face) and does not exceed .125 inches per foot of face width, it can be used. Should the crown exceed .125 in./ft., it must be removed.

Note: Individual Narrow V-Belts (3VX, 5VX, 5V, 8VX, 8V) are NOT recommended for use on a V-Flat drive. Their relatively narrow "bottom" width makes them susceptible to turn over on the flat pulley. Classical, Classical Banded, Classical Cog Banded, and Narrow V-Belt Banded are ideally suited for V-Flat drives.

Step 1. Find the Design Horsepower  
DHP = Prime Mover Horsepower or Brake Horsepower x Service Factor

Step 2. Choose the Belt Cross Section  
Determine the optimum Belt Cross Section from either the Narrow or Classical Belt Cross Section Selection Chart.

Step 3. Find the Speed Ratio  
Speed Ratio =  $\frac{\text{Faster RPM}}{\text{Slower RPM}}$

Step 4.

- A. Determine the Pitch Diameter of the large flat pulley by ADDING the proper value from the list below to the outside diameter of the pulley.

NARROW V-BELT (banded only)		
R3VX	R5V	R8V
.45"	.83"	1.41"

CLASSICAL SINGLE & BANDED			
AP	BP	CP	DP
.69"	.88"	1.13"	1.50"

- B. Determine the Small Sheave Diameter

$$\text{Small Sheave P.D.} = \frac{\text{Flat Pulley P.D.}}{\text{Speed Ratio}}$$

Note: If the Prime Mover is an electric motor, check to see that the small sheave conforms to NEMA's recommended minimum diameter. The use of a smaller motor sheave than recommended increases the bearing loads and should be approved by the motor manufacturer.

- C. Refer to the stock sheave dimensional tables and look for a sheave with a P.D. close to the calculated diameter. If one doesn't exist it may be necessary to order a special MTO to get the speed.
- D. Check the rim speed using the formula listed. If the speed exceeds 6500 FPM the sheave and pulley will need to be special, contact TB Woods Engineering.

$$\text{FPM} = \text{Small sheave outside diameter (in.)} \times .262 \times \text{Faster rpm}$$

Step 5. Determine the Center Distance and Belt Length

- A. If the center distance is unknown, use the following formula:

$$C = \frac{D - d}{.85}$$

D&d = Datum diameters

- B. Once the center distance has been established, calculate a tentative belt length using the following:

$$L = 2C + 1.57(D + d) + \frac{(D - d)^2}{4C}$$

Refer to the stock belt tables and select a standard belt length closest to that calculated above.

Step 6. Determine the number of belts

- A. Refer to the Horsepower Rating Tables for the belt cross section selected and find the Basic HP rating for the small sheave at the Faster RPM. Read across to the right and obtain the "Add-on" HP for the speed ratio at the faster RPM. Obtain the Lc factor for the belt chosen from the Belt Length Correction Tables. Refer to the table below to find the Ac correction factor.

$\frac{D-d}{C}$	Arc of Contact on Small Sheave	AC Factor V-Flat
.00	180	.75
.10	174	.76
.20	169	.78
.30	163	.79
.40	157	.81
.50	151	.82
.60	145	.83
.70	139	.84

$\frac{D-d}{C}$	Arc of Contact on Small Sheave	AC Factor V-Flat
.80	133	.86
.90	127	.85
1.00	120	.82
1.10	113	.80
1.20	106	.77
1.30	99	.73
1.40	91	.70
1.50	83	.65

Corrected HP per Belt = (Basic HP + Add-on) x Lc x Ac  
 Number of Grooves = Design HP/Corrected HP per Belt

# V-Flat Drive Selection

(Continued)

## Step 7. Determine Minimum Flat Pulley Face Width

Refer to the table below to make sure the Flat Pulley or Flywheel meets the required minimum face width.

No. Belts Per Drive	Conventional Cross Section			
	A *	B **	C	D
1	1-3/4"	2-1/4"	2-3/4"	3-3/4"
2	2-3/8"	3.0"	3-3/4"	5-3/16"
3	3.0"	3-3/4"	4-3/4"	6-5/8"
4	3-5/8"	4-1/2"	5-3/4"	8-1/16"
5	4-1/4"	5-1/4"	6-3/4"	9-1/2"
6	4-7/8"	6.0"	7-3/4"	10-15/16"
7	5-1/2"	6-3/4"	8-3/4"	12-3/8"
8	6-1/8"	7-1/2"	9-3/4"	13-13/16"
9	6-3/4"	8-1/4"	10-3/4"	15-1/4"
10	7-3/8"	9.0"	11-3/4"	16-11/16"
Add'l Belts (Add)	5/8"	3/4"	1.0"	1-7/16"

\*For "A" groove sheave only

\*\*For "B" or combination "A-B" sheave

No. Ribs Per Drive	Ultra-V Band Cross Section		
	R3V	R5V	R8V
2	2.4	3.3	4.6
3	2.8	4.0	5.8
4	3.2	4.7	6.9
5	3.6	5.4	8.0
6	4.0	6.0	9.1
7	4.4	6.7	10.3
8	4.8	7.4	11.4
9	5.2	8.1	12.5
10	5.6	8.8	13.6
Add'l Rib (Add)	.4	.7	1.1

## Step 8. Flat Pulley Construction

V-Flat drives are usually capable of transmitting higher loads than the flat belt drives which they replace. If you are replacing a flat belt drive and using the existing flywheel or flat pulley already on the driveN machine, you know that the construction is adequate to carry the required load.

If you are designing a V-Flat drive for a new application the construction of the flat pulley must be checked for strength. Consult T.B. Wood's Incorporated Engineering Department.

## Step 9. Review the Drive Selected

At this point the sheave selected should be checked for stock groove availability and Sure-Grip bushing bore range. Refer to the Balance Chart and check the sheave selected to determine if Dynamic Balance is required.

## Example

The following example is typical where the flat pulley diameter and belt section to use are spelled out by the user.

A V-flat drive is desired to connect a 50 HP 875 RPM motor to a single roll crusher at 250 RPM. The crusher already has a 35.5" OD x 8" wide flat flywheel which is to be used as the driven wheel. Operation will be 16 to 20 hours per day.

The center distance is approximately 37". Use conventional "C" section belting.

PROCEDURE	SOLUTION
Step 1. Find the Design Horsepower a. Choose service factor from page B2-23. b. Apply service factor to motor rating.	Service Factor = 1.5 DHP = 50 x 1.5 = 75
Step 2. Find the Desired Speed Ratio a. Speed Ratio = $\frac{\text{Faster RPM}}{\text{Slower RPM}}$	$\frac{875}{250} = 3.5:1$ ratio
Step 3. Determine the Drive Pitch Diameters a. Determine the PITCH DIAMETER of the large flat pulley by adding the proper value from table to the outside diameter of the flat pulley. b. The small sheave PITCH DIAMETER is obtained by dividing the large pulley PD by the ratio. (This is above the recommended minimum sheave diameter of 9" from table on page B2-24.) c. Refer to stock sheave dimensions, page B2-8, and select closest stock pitch diameter. d. Check small sheave maximum safe operating surface speed using: OD x .262 x RPM.	$35.5 + 1.13 = 36.63$ $\frac{36.63}{3.5} = 10.47"$ PD stock sheave = 10.4 PD 2384 FPM – below the 6500 FPM max. limit
Step 4. Determine the Belt Length a. Calculate a tentative belt length $(2) 37 + 1.57 (36.63 + 10.4) + \frac{(36.63 - 10.4)^2}{4 \times 37} = 152.5"$ Closest stock belt is CP150 @ 152.9"	Actual CD = 37.2"
Step 5. Determine the Number of Belts Required a. From the Horsepower Rating Tables obtain the "Basic" horsepower rating plus the "add-on" rating for the speed ratio. b. From the Belt Length Correction table obtain the length factor for the CP150 belt chosen. c. Using $\frac{D - d}{C} = \frac{36.63 - 10.4}{37.2} = .71$ find the Ac correction factor from the table. d. Corrected HP per belt = Rated HP x Ac x Lc = 15.95 x 1.01 x .84 e. $\frac{\text{Design Horsepower}}{\text{HP per belt}} = \frac{75}{13.53} = 5.54$ • use 6 belts	Basic HP = 14.88 Add-on = 1.07 Rated HP = 15.95 Lc = 1.01 Ac = .84 HP per belt = 13.53 Number of Belts = 6
Step 6. Minimum Flat Pulley Face Width a. Using the table check the existing pulley or flywheel face width versus the recommended minimum allowable.	Pulley Face = 8" Minimum = 7-3/4"
Step 7. Flat Pulley Construction a. Construction okay as existing flywheel was designed to carry the required load.	Construction okay
Step 8. Check Sheave Balance and Availability a. Using balance chart determine type of balance. b. The 10.4 P.D. x 6C is a stock sheave and takes an F bushing. Specify sheave part number by the datum diameter.	Static Balance 10.0 x 6C – F

# Quarter Turn Drives

Quarter Turn Drives are used to transmit power from a vertical shaft to a horizontal shaft or vice versa. Such drives are commonly used from engines to vertical turbine pumps, and are found on many other types of applications.

To design a quarter turn drive, proceed as you would to select any other Classical or Narrow V-Belt drive, taking the following special points into consideration:

- Maximum speed ratio is 2.5 to 1. For greater speed ratios use a quarter turn drive from the driveR shaft to a jackshaft, and a straight V-drive or Synchronous drive between the jackshaft and the driven machine shaft. Provisions must be made for aligning and tensioning both drives.
- The Arc of Contact correction factor for quarter turn drives is 1.0.
- The direction of rotation must be such that the tight side of the drive is on the bottom.
- Deep groove sheaves should always be used on quarter turn drives.\*
- Quarter turn drives require long centers to ensure the angle of entry and exit of the belts in the sheaves grooves is not more than 5 degrees. Therefore, a standard V-belt length should be chosen that will give a minimum center distance of:

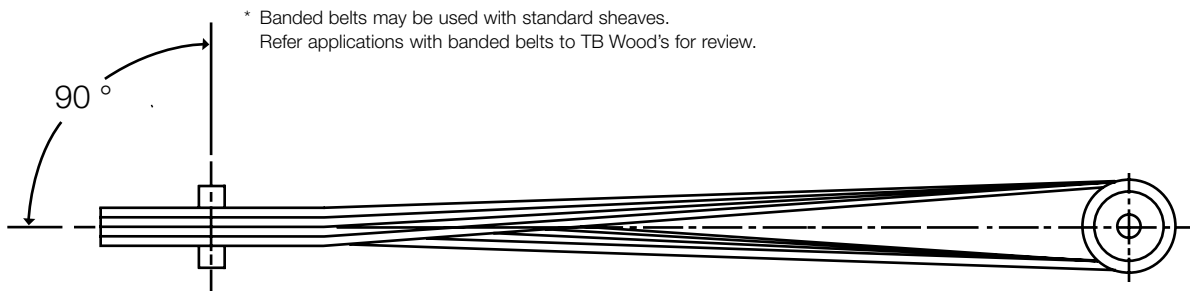
$$C \text{ minimum} = 5.5 (D + W)$$

Where D = Large sheave diameter  
 W = The width of the belts as determined from table below  
 C = Center distance

## WIDTH OF BELTS ON DEEP GROOVE SHEAVES (INCHES)

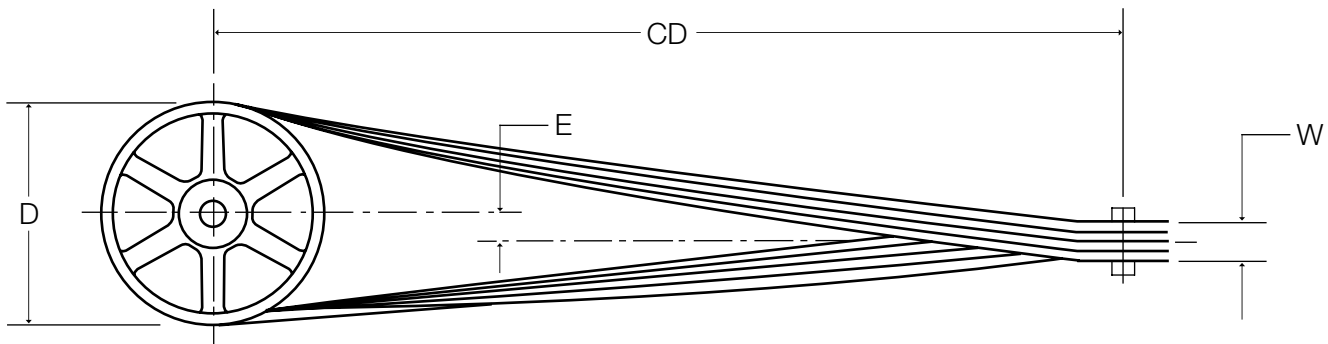
V-belt Section	Groove Type	Number of Belts									
		1	2	3	4	5	6	7	8	9	10
3VX	deep groove	.4	.9	1.4	1.9	2.4	2.9	3.4	3.9	4.4	4.9
5V/5VX	deep groove	.6	1.4	2.3	3.1	3.9	4.7	5.5	6.3	7.1	7.9
8V/8VX	deep groove	1.0	2.3	3.6	4.9	6.3	7.6	8.9	10.2	11.5	12.8
A	deep groove	.5	1.3	2.0	2.8	3.5	4.3	5.0	5.8	6.5	7.3
B	deep groove	.7	1.5	2.4	3.3	4.2	5.0	5.9	6.8	7.7	8.5
C	deep groove	.9	2.1	3.4	4.6	5.9	7.1	8.4	9.6	10.9	12.1
D	deep groove	1.3	3.0	4.8	6.5	8.3	10.0	11.8	13.5	15.3	17.0

Drive Alignment: When looking down on the drive (Top View), the sheaves should be installed so that a line from the center of the Vertical Shaft will pass through the center of the face of the sheave on the Horizontal Shaft. Both shafts should be at right angles to this line.



# Quarter Turn Drives

When looking at the drive from the side (Side View), the center of the Horizontal Shaft should be above the center of the sheave on the Vertical Shaft by the amount given in the table below.



## “E” DIMENSIONS FOR VARIOUS CENTER DISTANCES

Drive Center Distance	Narrow V-Belts	Classical Belts
20"	-	.2
30"	-	.2
40"	-	.4
50"	-	.4
60"	.2	.5
80"	.3	.5
100"	.4	1.0
120"	.6	1.5
140"	.9	2.0
160"	1.2	2.5
180"	1.5	3.5
200"	1.8	4.0
220"	2.2	5.0
240"	2.6	6.0

**Belt tension:** The proper belt tension procedure for a quarter turn drive is the same as any other V-belt drive and can be determined by referring to the belt tensioning section of this manual.

# Quarter Turn Drives

## Example

A quarter turn drive is required to connect a 40 HP 1800 RPM engine to a vertical turbine pump at 1020 RPM. Engine shaft is 1-3/4" and the pump shaft is 2". The pump will operate continuously and the center distance is 90".

PROCEDURE	SOLUTION
Step 1. Find the Speed Ratio a. $\text{Speed Ratio} = \frac{\text{Faster RPM}}{\text{Slower RPM}}$ b. The ratio is less than the maximum allowable of 2.5. A drive design is possible.	$\frac{1800}{1020} = 1.76:1 \text{ ratio}$
Step 2. Find the Design Horsepower a. Choose service factor from page B1-14 or B2-23. b. Apply Service Factor to Engine Rating.	Service Factor 1.2 DHP = 40 x 1.2 = 48
Step 3. Choose the Belt Cross Section a. Refer to table on page B1-15 or B2-24	Belt Section: 5V/5VX
Step 4. Determine Small Sheave Maximum Diameter a. $\text{O.D.} = \frac{6500 \text{ FPM}}{\text{Faster RPM} \times .262}$	$\frac{6500 \text{ FPM}}{1800 \times .262} = 13.7 \text{ O.D.}$
Step 5. Select the Drive a. Refer to the Stock Drive Selection table page B1—42 and find the desired ratio or closest one to it. b. DriveR and DriveN sheave diameters. Note: If the prime mover is an electric motor, check to see that the motor sheave conforms to the NEMA minimum recommended diameter. c. Read across on this same line and find a preliminary C.D. of 87.5" with 5V2120 belt.	Find 1.77.1 DR: 8.5 DN: 15.0 Tentative C.D. = 87.5
Step 6. Find Estimated Belt Horsepower and Number of Grooves. a. Refer to the 5V HP rating table on page B1-66. Find the basic HP rating plus the add-on HP for the small sheave at the faster RPM. b. Estimated HP per belt is 21.9 + 1.88 = 23.78. The Ac correction factor is always 1.0 on quarter turn drives. Belt length correction factor (Lc) is taken as 1.0 until the actual length is determined. c. $\text{Estimated number of belts} = \frac{\text{DHP}}{\text{HP per belt}}$ d. Width of band of belts from table = 1.4 e. Check C.D. required. CD = 5.5 (15 + 1.4) = 90.2 Refer to 5V drive tables, speed ratio 1.77, for the sheaves selected and select a belt that gives a C.D. greater than the minimum.	Basic = 21.9 Add-on = 1.88 HP per belt = 23.78 $\frac{48}{23.78} = 2.02 \text{ call } 2$ Minimum C.D. = 90.2" Actual C.D. = 93.5" Belts = 5V2240
Step 7. Determine Actual Number of Grooves Required. a. From table on page B1-16 find the correction factor of 1.09 for the 5V2240 belt. b. Corrected HP per belt = 23.78 x 1.09 = 25.92 c. $\text{Number of belts} = \frac{\text{DHP}}{\text{HP per belt}} = \frac{48}{25.92} = 1.85$	Number of belts = 2
Step 8. Specify Drive a. Check balance requirements and specify drive components. Remember deep groove sheaves are required for quarter turn drives.	5V 8.0 x 2 – SK x 1-3/4 5V15.0 x 2 – SF x 2 5V2240 – belts Above require deep grooves.



## Belt Pull And Bearing Loads

The drive designer is often asked by the machine designer for the necessary data to calculate bearing loads. That portion of the total bearing load induced by the belt drive is a combination of load due to the sheave or pulley weight and belt pull. Sheave and pulley weights can be found in the appropriate tables included in this catalog. Belt pull can be calculated if the following drive data is known:

1. **Horsepower transmitted:** for a given set of sheaves, more horsepower requires more belt pull.
2. **Belt speed:** higher belt speed (larger sheave or pulley diameter) means less pull for the same horsepower load.
3. **Arc of contact:** reduced arc of contact (wrap) requires more tension to prevent slip, resulting in increased belt pull for the same horsepower load.

NOTE: For a given diameter and load the required belt pull is independent of the number of V-belts used on a drive. The number of belts affects only the amount of overhung load from the center of belt pull to the bearings.

The approximate resultant belt pull of a V-belt drive installed with proper installation tension may be calculated from the following formula. This formula establishes the arithmetic sum of the tight and slack side tensions. The result does not include weight of the sheave.

$$\text{FPM} = \text{Pitch diameter} \times \text{RPM} \times .262 \quad \text{— for "Ac" Factor see chart on page BEV-3}$$

$$\text{Design Horsepower} = \text{driver horsepower} \times \text{service factor.}$$

$$\text{Effective Pull} = (33,000 \times \text{design horsepower}) / \text{FPM}$$

$$\text{Minimum Belt Pull} = \frac{[2.5 - \text{Ac}] \times \text{Effective Pull}}{\text{Ac}}$$

$$\text{Maximum Belt Pull} = 1.5 \times \text{Minimum Belt Pull}$$

The result obtained from the above formula is a conservative estimate of the magnitude of the force. However, it does not establish the direction of the force on the bearings. Total belt pull will vary depending upon the tension applied to the belts.

## BELT PULL AND BEARING LOADS (continued)

To determine the direction of the belt pull, it is first necessary to establish the magnitude of  $T_1$  and  $T_2$ , the tight and slack side tensions respectively. Once these are established, it is then necessary to add them vectorially. To this vectorial sum can then be added the weight of the sheave. This must be added vectorially to the resultant belt pull.

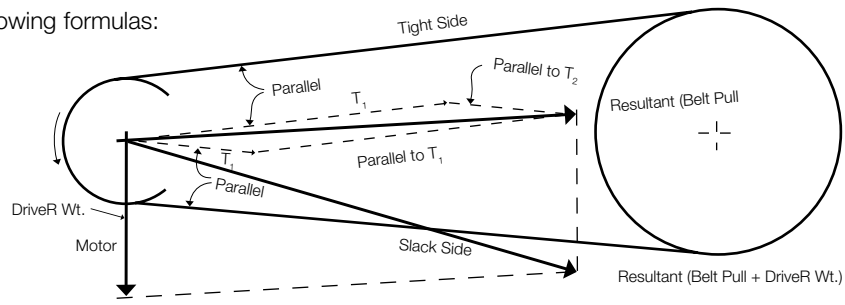
To determine  $T_1$  and  $T_2$  individually, use the following formulas:

$$T_1 \text{ Min.} = \frac{1.25 \times \text{Effective Pull}}{Ac}$$

$$T_1 \text{ Max.} = \frac{1.625 \times \text{Effective Pull}}{Ac}$$

$$T_2 \text{ Min.} = T_1 \text{ Min.} - \text{Effective Pull}$$

$$T_2 \text{ Max.} = T_1 \text{ Max.} - \text{Effective Pull}$$



GRAPHICAL ADDITION OF  $T_1$ ,  $T_2$  AND SHEAVE WEIGHT

## BEARING LOAD CALCULATIONS

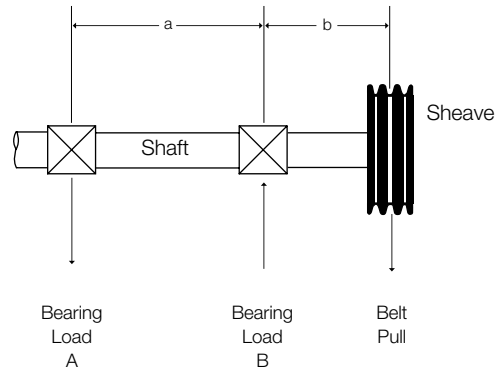
In order to find actual bearing loads, it is necessary to know weights of machine components and the value of all other forces contributing to the load. However, it is sometimes desired to know the bearing load contributed by the belt drive alone. You can find bearing load due to the drive if you know your bearing spacing with respect to the sheave center, and the belt pull as calculated above. To do this use the following formulas:

### A. OVERHUNG SHEAVE

$$\text{Load at B, pounds} = \frac{\text{Belt Pull} \times (a + b)}{a}$$

$$\text{Load at A, pounds} = \text{Belt Pull} \times \frac{b}{a}$$

where: a and b = spacing, inches, per drawing at right

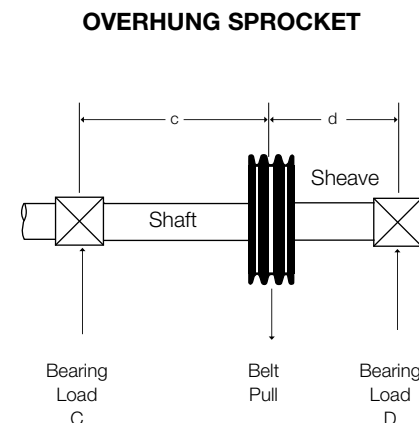


### B. SHEAVE BETWEEN BEARINGS

$$\text{Load at D, pounds} = \frac{\text{Belt Pull} \times c}{(c + d)}$$

$$\text{Load at C, pounds} = \frac{\text{Belt Pull} \times d}{(c + d)}$$

where: c and d = spacing, inches, per drawing at right



SPROCKET BETWEEN BEARINGS

---

# Synchronous Sprockets & Belts

**C1**



- **Positive Slip-Proof Engagement**
- **High Mechanical Efficiency**
- **No Lubrication Needed**

# Synchronous Belt Drives

---

## Features

### Positive Slip-Proof Engagement

Because the teeth of the Synchronous Belt mesh with sprocket grooves, there is no creepage to cause speed variations. Powerful tensile cords can't stretch, so take-up is eliminated from drive maintenance. Precision is guaranteed. This feature is especially important in printing, packaging and material-handling where synchronization is a necessity. Because of this, Synchronous Drives have replaced gears and silent chain in these and many similar applications.

### Wide Speed Range

Drives, such as chains perform best within a limited range of speeds. With Synchronous Drives, the speed range is more than doubled. This feature is of special importance when the entire speed range is developed from a single drive such as in DC drives or machine tool applications. Synchronous Belt efficiency remains high throughout the entire speed range.

### Constant Driven Speeds

The unique Synchronous tooth configuration engages and clears each sprocket groove in a continuous flow of quiet, smoothly transmitted power. Thus, angular velocity of the driven sprocket is constant. There is no jerking or vibration caused by chordal rise and fall of the pitch line as occurs in chain drives. There is no loss of speed caused by belt creep or slippage as with flat and V-belts. The Synchronous Drive's constant output speed is a definite advantage in precision work such as in high-speed printers and machine tools like indexers, drill presses and boring mills.

### Wide Range of Load Capacities

Load capacities of stock Synchronous Drives range from fractional to hundreds of horsepower. Torque loads range from thousands of foot-pounds to inch-ounces. The high efficiencies offered by Synchronous Drives make them ideal for many purposes.

### No Lubrication

Unlike chain or gear drives, Synchronous Drives never need lubrication, since there is no metal-to-metal contact. Maintenance costs are cut to a minimum. Contamination from oil drip, spatter, splash or spray mist is eliminated, too. In addition, there is no oil or grease to trap dirt, grit or abrasive particles and accelerate wear. Food processors, grain elevator operators and other contamination-sensitive industries benefit especially from this feature.

### High Tension Eliminated

Unlike flat and V-belts, Synchronous Belts do not rely on friction for their pulling power. Slack-side tension is practically zero, and tight-side tension is reduced. As a result, overhung bearing loads are lessened with resultant improvements in motor and bearing life.

### High Mechanical Efficiency

Synchronous Drives have unusually high mechanical efficiency. Furthermore, transmission efficiency is not lost with use. The belt construction insures very little heat build-up since friction is not required to pull the load. In addition, belt tension is reduced. Significant power savings are thus obtainable, particularly when using Synchronous Belts on larger horsepower installations.

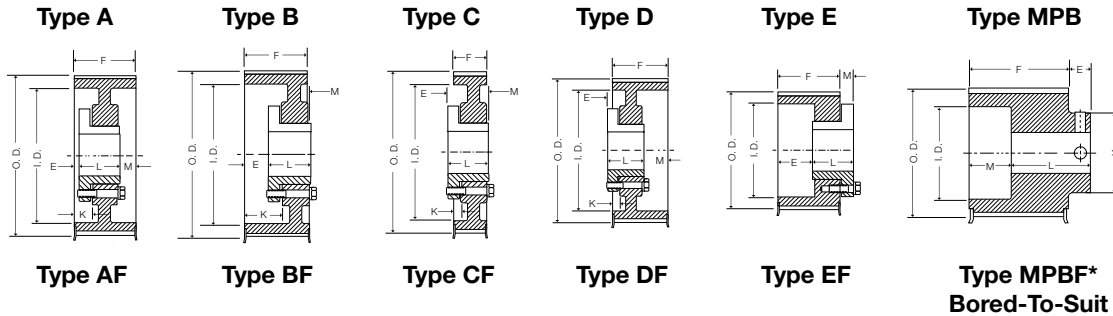
### Economical Operation

The overall cost of Synchronous Drives can be lower than those of other drives. Original equipment costs are reduced by eliminating adjustable motor bases, lubricating systems and tensioning devices. Maintenance is simpler. No adjustments are needed due to stretch or wear. These savings are not confined to newly designed drives alone, because most roller chain drives can be converted to Wood's Synchronous Drives. Synchronous Belts are also ideal for areas where proper maintenance is difficult or where downtime could prove to be extremely expensive.

# Synchronous 'QD' Sprocket 5M

## Sprocket Types

The synchronous sprockets listed in the tables below are all stock sizes. All dimensions given are for the sprocket with the Sure-Grip bushing in place and are in inches only.



The figure following the sketch reference letter in the "Type" column indicates the construction of the sprocket. (1 = Solid, 2 = Web, and 3 = Arms), and the letter "F" indicates that the sprocket has flanges.

## Dimensions

PRODUCT NO.	BUSH-ING	NO. OF TEETH	DIAMETERS				TYPE	DIMENSIONS (INCHES)				BORE		WT. (INCL. BUSH.)
			P.D.	O.D.		I.D.		E	K	L	M	Min.	Max.	
				Sprocket	Flange									
FOR BELTS 15mm (.59 in.) WIDE • 5mm PITCH (5M-15) Face Width (F) = .89														
P325M15*	-	32	2.005	1.960	2.16	-	MPB1F	.45	1.55	1.34	0	*.5	.875	0.8
P345M15*	-	34	2.130	2.085	2.29	-	MPB1F	.45	1.68	1.34	0	*.5	1.00	1.0
P365M15*	-	36	2.256	2.211	2.41	-	MPB1F	.45	1.80	1.34	0	*.5	1.12	1.1
P385M15	JA	38	2.381	2.336	2.54	1.34	E1F	.36	0	1.00	.47	.5	1.25	0.9
P405M15	JA	40	2.506	2.461	2.66	1.34	E1F	.36	0	1.00	.47	.5	1.25	1.0
P445M15	JA	44	2.757	2.712	2.91	1.34	E1F	.36	0	1.00	.47	.5	1.25	1.3
P485M15	JA	48	3.008	2.963	3.16	2.36	D1F	.14	.33	1.00	.03	.5	1.25	1.3
P525M15	JA	52	3.258	3.213	3.41	2.62	D1F	.14	.33	1.00	.03	.5	1.25	1.5
P565M15	SH	56	3.509	3.464	3.81	-	D1F	.56	0	1.25	.20	.5	1.68	2.2
P605M15	SH	60	3.760	3.715	3.92	-	D1F	.56	0	1.25	.20	.5	1.68	2.5
P645M15	SH	64	4.010	3.965	4.16	-	D1F	.56	0	1.25	.20	.5	1.68	2.7
P685M15	SDS	68	4.261	4.216	4.41	3.50	D1F	.48	.14	1.31	.06	.5	2.00	3.0
P725M15	SDS	72	4.511	4.466	4.66	3.75	D1F	.48	.14	1.31	.06	.5	2.00	3.3
P805M15	SDS	80	5.013	4.968	-	4.25	D1	.48	.14	1.31	.06	.5	2.00	4.0
P905M15	SDS	90	5.639	5.594	-	4.88	D1	.48	.14	1.31	.06	.5	2.00	5.0
P1125M15	SDS	112	7.018	6.973	-	6.05	D1	.48	.14	1.31	.06	.5	2.00	6.9
FOR BELTS 25mm (.98in.) WIDE • PITCH (5M-25) Face Width (F) = 1.28														
P325M25*	-	32	2.005	1.960	2.16	-	MPB1F	.45	1.55	1.73	0	*.5	.875	1.1
P345M25*	-	34	2.130	2.085	2.29	-	MPB1F	.45	1.68	1.73	0	*.5	1.00	1.3
P365M25*	-	36	2.256	2.211	2.41	-	MPB1F	.45	1.80	1.73	0	*.5	1.12	1.5
P385M25	JA	38	2.381	2.336	2.54	1.34	E1F	.75	0	1.00	.47	.5	1.25	1.2
P405M25	JA	40	2.506	2.461	2.66	1.34	E1F	.75	0	1.00	.47	.5	1.25	1.4
P445M25	JA	44	2.757	2.712	2.91	1.34	E1F	.75	0	1.00	.47	.5	1.25	1.7
P485M25	JA	48	3.008	2.963	3.16	2.36	A1F	.25	.72	1.00	.03	.5	1.25	1.5
P525M25	JA	52	3.258	3.213	3.41	2.62	A1F	.25	.72	1.00	.03	.5	1.25	1.7
P565M25	SH	56	3.509	3.464	3.81	2.86	D1F	.09	.47	1.25	.13	.5	1.68	2.4
P605M25	SH	60	3.760	3.715	3.92	3.12	D1F	.09	.47	1.25	.13	.5	1.68	2.8
P645M25	SH	64	4.010	3.965	4.16	3.37	D1F	.09	.47	1.25	.13	.5	1.68	2.9
P685M25	SDS	68	4.261	4.216	4.41	3.50	D1F	.09	.53	1.31	.06	.5	2.00	3.4
P725M25	SDS	72	4.511	4.466	4.66	3.75	D1F	.09	.53	1.31	.06	.5	2.00	3.7
P805M25	SDS	80	5.013	4.968	-	4.25	D1	.09	.53	1.31	.06	.5	2.00	4.5
P905M25	SDS	90	5.639	5.594	-	4.88	D1	.09	.53	1.31	.06	.5	2.00	5.6
P1125M25	SDS	112	7.018	6.973	-	6.05	D3	.09	.53	1.31	.06	.5	2.00	6.9

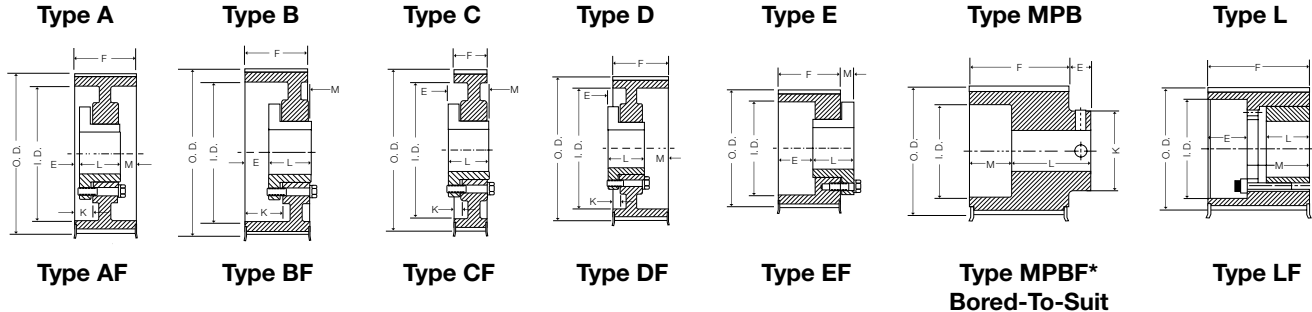
Weights for all Sure-Grip bushed items are approximate and include the bushing.  
\* Bored-To-Suit construction, minimum plain bore with 2 setscrews.

# Synchronous 'QD' Sprocket 8M

## Dimensions

### SPROCKET TYPES

The synchronous sprockets listed in the tables below are all stock sizes. All dimensions given are for the sprocket with the Sure-Grip bushing in place and are in inches only.



The figure following the sketch reference letter in the "Type" column indicates the construction of the sprocket. (1 = Solid, 2 = Web, and 3 = Arms), and the letter "F" indicates that the sprocket has flanges.

PRODUCT NO.	BUSH-ING	NO. OF TEETH	DIAMETERS				TYPE	DIMENSIONS (INCHES)				BORE		WT.
			P.D.	O.D.		I.D.		E	K	L	M	Min.	Max.	
				Sprocket	Flange									
FOR BELTS 20mm (.79 in.) WIDE • 8mm PITCH (8M-20) Face Width (F) = 1-1/8 Dual Drilled (inch/metric) ①														
P228M20*	-	22	2.206	2.152	2.56	-	MPB1F	5/8	1-5/8	1-3/4	0	* 1/2	1-3/16	1.1
P248M20	JA	24	2.406	2.352	2.76	1.34	E1F	19/32	0	1	15/32	1/2	1-1/4	1.0
P268M20	JA	26	2.607	2.553	2.95	1.88	E1F	19/32	0	1	15/32	1/2	1-1/4	1.2
P288M20	QT	28	2.807	2.759	3.15	1.57	E1F	1/4	0	1-1/4	3/8	1/2	1-1/2	1.6
P308M20	QT	30	3.008	2.958	3.35	1.57	E1F	1/4	0	1-1/4	3/8	1/2	1-1/2	1.9
P328M20	QT	32	3.208	3.156	3.54	2.56	D1F	1/8	1/4	1-1/4	0	1/2	1-1/2	2.0
P348M20	SH	34	3.409	3.355	3.82	2.75	D1F	1/4	5/16	1-1/4	1/8	1/2	1-11/16	2.0
P368M20	SH	36	3.609	3.555	3.94	2.82	D1F	1/4	5/16	1-1/4	1/8	1/2	1-11/16	2.2
P388M20	SH	38	3.810	3.756	4.13	3.00	D1F	1/4	5/16	1-1/4	1/8	1/2	1-11/16	2.5
P408M20	SH	40	4.010	3.956	4.33	3.00	D1F	1/4	5/16	1-1/4	1/8	1/2	1-11/16	2.8
P448M20	SDS	44	4.411	4.357	4.76	3.50	D1F	1/4	3/8	1-5/16	1/16	1/2	2	3.4
P488M20	SDS	48	4.812	4.758	5.16	3.80	D1F	1/4	3/8	1-5/16	1/16	1/2	2	4.0
P568M20	SDS	56	5.614	5.560	5.95	4.60	D1F	1/4	3/8	1-5/16	1/16	1/2	2	5.3
P648M20	SDS	64	6.416	6.362	6.77	5.40	D1F	1/4	3/8	1-5/16	1/16	1/2	2	6.9
P728M20	SDS	72	7.218	7.164	7.60	6.20	D2F	1/4	3/8	1-5/16	1/16	1/2	2	6.7
P808M20	SDS	80	8.020	7.966	8.39	6.90	D2F	1/4	3/8	1-5/16	1/16	1/2	2	7.5
P908M20	SDS	90	9.023	8.969	-	7.90	D3	1/4	3/8	1-5/16	1/16	1/2	2	8.5

Weights for all Sure-Grip bushed items are approximate and include the bushing.

\* Bored-To-Suit construction, minimum plain bore with 2 setscrews.

① Drilled for both inch and metric bushing hardware.

# Synchronous 'QD' Sprocket 8M

## Dimensions

PRODUCT NO.	BUSH-ING	NO. OF TEETH	DIAMETERS				TYPE	DIMENSIONS (INCHES)				BORE		WT.
			P.D.	O.D.		I.D.		E	K	L	M	Min.	Max.	
				Sprocket	Flange									
FOR BELTS 30mm (1.18 in.) WIDE • 8mm PITCH (8M-30) Face Width (F) = 1-1/2 Dual Drilled (inch/metric) ①														
P228M30*	-	22	2.206	2.152	2.56	-	MPB1F	5/8	1-5/8	2-1/8	0	* 1/2	1-3/16	1.5
P248M30	JA	24	2.406	2.352	2.76	1.34	E1F	31/32	0	1	15/32	1/2	1-1/4	.8
P268M30	JA	26	2.607	2.553	2.95	1.88	E1F	31/32	0	1	15/32	1/2	1-1/4	.9
P288M30	QT	28	2.807	2.759	3.15	1.57	E1F	5/8	0	1-1/4	3/8	1/2	1-1/2	1.8
P308M30	QT	30	3.008	2.958	3.35	1.57	E1F	5/8	0	1-1/4	3/8	1/2	1-1/2	2.2
P328M30	QT	32	3.208	3.156	3.54	2.56	B1F	1/4	5/8	1-1/4	0	1/2	1-1/2	2.0
P348M30	SH	34	3.409	3.355	3.82	2.75	A1F	1/8	11/16	1-1/4	1/8	1/2	1-11/16	2.3
P368M30	SH	36	3.609	3.555	3.94	2.82	A1F	1/8	11/16	1-1/4	1/8	1/2	1-11/16	2.7
P388M30	SH	38	3.810	3.756	4.13	3.00	A1F	1/8	11/16	1-1/4	1/8	1/2	1-11/16	3.0
P408M30	SH	40	4.010	3.956	4.33	3.00	A1F	1/8	11/16	1-1/4	1/8	1/2	1-11/16	3.3
P448M30	SDS	44	4.411	4.357	4.76	3.50	A1F	1/8	3/4	1-5/16	1/16	1/2	2	3.8
P488M30	SDS	48	4.812	4.758	5.16	3.80	A1F	1/8	3/4	1-5/16	1/16	1/2	2	4.5
P568M30	SDS	56	5.614	5.560	5.95	4.60	A1F	1/8	3/4	1-5/16	1/16	1/2	2	5.9
P648M30	SK	64	6.416	6.362	6.77	5.40	D1F	15/32	1/4	1-7/8	3/32	1/2	2-5/8	10.4
P728M30	SK	72	7.218	7.164	7.60	6.20	D2F	15/32	1/4	1-7/8	3/32	1/2	2-5/8	10.7
P808M30	SK	80	8.020	7.966	8.39	6.90	D2F	15/32	1/4	1-7/8	3/32	1/2	2-5/8	11.8
P908M30	SK	90	9.023	8.969	-	7.90	D2	15/32	1/4	1-7/8	3/32	1/2	2-5/8	13.5
P1128M30	SK	112	11.229	11.175	-	10.00	D3	15/32	1/4	1-7/8	3/32	1/2	2-5/8	16.3
FOR BELTS 50mm (1.97 in.) WIDE • 8mm PITCH (8M-50) Face Width (F) = 2-3/8 Dual Drilled (inch/metric) ①														
P288M50*	-	28	2.807	2.759	3.15	-	MPB1F	3/4	2-9/32	3-1/8	0	* 3/4	1-3/8	3.7
P308M50*	-	30	3.008	2.958	3.35	-	MPB1F	3/4	2-15/32	3-1/8	0	* 3/4	1-3/8	4.3
P328M50*	-	32	3.208	3.156	3.54	-	MPB1F	3/4	2-11/16	3-1/8	0	* 3/4	1-1/2	5.3
P348M50	SH	34	3.409	3.355	3.82	2.75	D1F	1/16	1/2	1-1/4	1-3/16	1/2	1-11/16	2.7
P368M50	SH	36	3.609	3.555	3.94	2.82	D1F	1/16	1/2	1-1/4	1-3/16	1/2	1-11/16	3.4
P388M50	SH	38	3.810	3.756	4.13	3.00	D1F	1/16	1/2	1-1/4	1-3/16	1/2	1-11/16	3.7
P408M50	SH	40	4.010	3.956	4.33	3.00	D1F	1/16	1/2	1-1/4	1-3/16	1/2	1-11/16	4.2
P448M50	SD	44	4.411	4.357	4.76	3.50	D1F	1/16	9/16	1-13/16	5/8	1/2	2	5.7
P488M50	SD	48	4.812	4.758	5.16	3.80	D1F	1/16	9/16	1-13/16	5/8	1/2	2	6.9
P568M50	SK	56	5.614	5.560	5.95	4.60	D1F	5/32	9/16	1-7/8	21/32	1/2	2-5/8	9.4
P648M50	SK	64	6.416	6.362	6.77	5.40	D1F	5/32	9/16	1-7/8	21/32	1/2	2-5/8	12.0
P728M50	SK	72	7.218	7.164	7.60	6.20	D1F	5/32	9/16	1-7/8	21/32	1/2	2-5/8	15.0
P808M50	SF	80	8.020	7.966	8.39	6.90	D2F	1/8	9/16	2	1/2	1/2	2-15/16	17.0
P908M50	SF	90	9.023	8.969	-	7.90	D2	1/8	9/16	2	1/2	1/2	2-15/16	19.1
P1128M50	SF	112	11.229	11.175	-	10.00	D3	1/8	9/16	2	1/2	1/2	2-15/16	23.9
P1448M50	E	144	14.437	14.383	-	13.20	D3	17/32	3/8	2-5/8	9/32	7/8	3-1/2	38.1
P1928M50	E	192	19.249	19.195	-	18.00	D3	17/32	3/8	2-5/8	9/32	7/8	3-1/2	52.5
FOR BELTS 85mm (3.35 in.) WIDE • 8mm PITCH (8M-85) Face Width (F) = 3-3/4 Dual Drilled (inch/metric) ①														
P348M85*	-	34	3.409	3.355	3.82	-	MPB1F	3/4	2-15/16	4-1/2	0	* 7/8	1-3/4	8.4
P368M85	SKL	36	3.609	3.555	3.94	2.88	L1F	1-25/32	-	1-1/8	1-31/32	1/2	1-15/16	4.6
P388M85	SKL	38	3.810	3.756	4.13	3.00	L1F	1-25/32	-	1-1/8	1-31/32	1/2	1-15/16	5.4
P408M85	SKL	40	4.010	3.956	4.33	3.00	L1F	1-25/32	-	1-1/8	1-31/32	1/2	1-15/16	6.0
P448M85	SFL	44	4.411	4.357	4.76	3.50	L1F	1-25/32	-	1-1/8	1-31/32	1/2	2-3/8	7.5
P488M85	SFL	48	4.812	4.758	5.16	3.63	L1F	1-25/32	-	1-1/8	1-31/32	1/2	2-3/8	9.5
P568M85	EL	56	5.614	5.560	5.95	4.56	L1F	1-3/8	-	1-1/2	2-3/8	7/8	2-7/8	13.5
P648M85	SF	64	6.416	6.362	6.77	5.38	A1F	9/16	1-1/4	2	1-3/16	1/2	2-15/16	15.6
P728M85	E	72	7.218	7.164	7.60	6.19	A1F	5/32	1-1/16	2-5/8	31/32	7/8	3-1/2	24.0
P808M85	E	80	8.020	7.966	8.39	6.88	A1F	5/32	1-1/16	2-5/8	31/32	7/8	3-1/2	29.1
P908M85	E	90	9.023	8.969	-	7.88	A1	5/32	1-1/16	2-5/8	31/32	7/8	3-1/2	35.5
P1128M85	F	112	11.229	11.175	-	10.00	D1	7/16	5/8	3-5/8	9/16	1	4	70.5
P1448M85	F	144	14.437	14.383	-	13.19	D3	7/16	5/8	3-5/8	9/16	1	4	64.5
P1928M85	F	192	19.249	19.195	-	18.00	D3	7/16	5/8	3-5/8	9/16	1	4	78.1

Weights for all Sure-Grip bushed items are approximate and include the bushing.

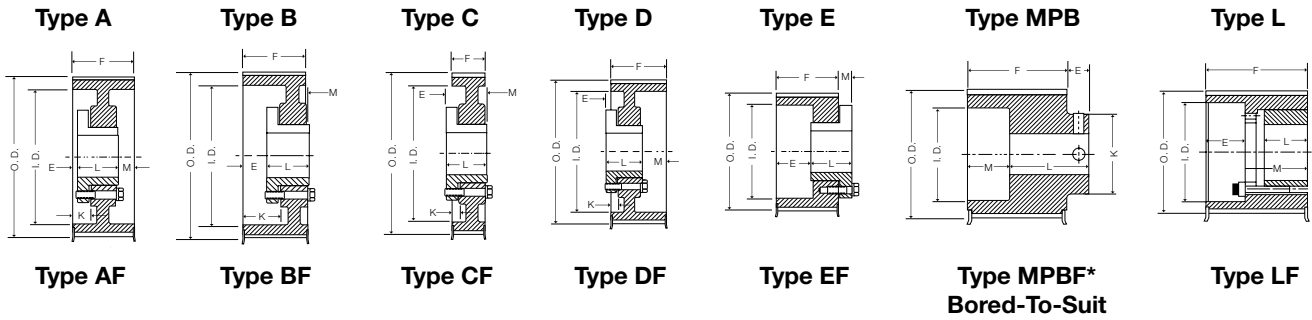
\* Bored-To-Suit construction, minimum plain bore with 2 setscrews.

① Drilled for both inch and metric bushing hardware.



# Synchronous 'QD' Sprocket 14M

## Dimensions



The figure following the sketch reference letter in the "Type" column indicates the construction of the sprocket. (1 = Solid, 2 = Web, and 3 = Arms), and the letter "F" indicates that the sprocket has flanges.

PRODUCT NO.	BUSH-ING	NO. OF TEETH	DIAMETERS				TYPE	DIMENSIONS (INCHES)				BORE		WT.
			P.D.	O.D.		I.D.		E	K	L	M	Min.	Max.	
				Sprocket	Flange									
FOR BELTS 40mm (1.57 in.) WIDE • 14mm PITCH (14M-40) Face Width (F) = 2-1/8 Dual Drilled (inch/metric) ①														
P2814M40	SK	28	4.912	4.802	5.56	-	E1F	31/32	0	1-7/8	23/32	1/2	2-5/8	7.2
P2914M40	SK	29	5.088	4.978	5.56	-	E1F	31/32	0	1-7/8	23/32	1/2	2-5/8	7.9
P3014M40	SK	30	5.263	5.153	5.56	4.04	D1F	9/32	7/16	1-7/8	17/32	1/2	2-5/8	7.6
P3214M40	SK	32	5.614	5.504	6.09	4.04	D1F	9/32	7/16	1-7/8	17/32	1/2	2-5/8	9.2
P3414M40	SK	34	5.965	5.855	6.50	4.22	D1F	9/32	7/16	1-7/8	17/32	1/2	2-5/8	10.6
P3614M40	SF	36	6.316	6.206	6.87	4.84	D1F	1/4	7/16	2	3/8	1/2	2-15/16	11.9
P3814M40	SF	38	6.667	6.557	7.22	4.94	D1F	1/4	7/16	2	3/8	1/2	2-15/16	13.3
P4014M40	SF	40	7.018	6.908	7.50	5.06	D1F	1/4	7/16	2	3/8	1/2	2-15/16	15.1
P4414M40	E	44	7.720	7.610	8.34	6.12	D1F	21/32	1/4	2-5/8	5/32	7/8	3-1/2	21.7
P4814M40	E	48	8.421	8.311	8.90	6.50	D1F	21/32	1/4	2-5/8	5/32	7/8	3-1/2	25.9
P5214M40	E	52	9.123	9.013	9.68	7.18	D1F	21/32	1/4	2-5/8	5/32	7/8	3-1/2	30.0
P5614M40	E	56	9.825	9.715	10.38	7.88	D1F	21/32	1/4	2-5/8	5/32	7/8	3-1/2	34.6
P6014M40	E	60	10.527	10.417	11.06	8.50	D1F	21/32	1/4	2-5/8	5/32	7/8	3-1/2	39.4
P6414M40	E	64	11.229	11.119	11.68	9.25	D2F	21/32	1/4	2-5/8	5/32	7/8	3-1/2	35.7
P6814M40	E	68	11.930	11.820	12.50	10.00	D2F	21/32	1/4	2-5/8	5/32	7/8	3-1/2	38.0
P7214M40	E	72	12.632	12.522	13.19	10.69	D2F	21/32	1/4	2-5/8	5/32	7/8	3-1/2	36.8
P8014M40	E	80	14.036	13.926	14.63	12.13	D2F	21/32	1/4	2-5/8	5/32	7/8	3-1/2	41.1
P9014M40	E	90	15.790	15.680	-	14.50	D3	21/32	1/4	2-5/8	5/32	7/8	3-1/2	42.9
P11214M40	E	112	19.650	19.540	-	18.38	D3	21/32	1/4	2-5/8	5/32	7/8	3-1/2	53.8
P14414M40	E	144	25.264	25.154	-	23.88	D3	21/32	1/4	2-5/8	5/32	7/8	3-1/2	80.9
P16814M40	F	168	29.475	29.365	-	28.25	C3	1-1/16	0	3-5/8	7/16	1	4	105.0
P19214M40	F	192	33.686	33.576	-	32.38	C3	1-1/16	0	3-5/8	7/16	1	4	126.0
P21614M40	F	216	37.896	37.786	-	36.62	C3	1-1/16	0	3-5/8	7/16	1	4	159.0
FOR BELTS 55mm (2.17 in.) WIDE • 14mm PITCH (14M-55) Face Width (F) = 2-3/4 Dual Drilled (inch/metric) ①														
P2814M55	SK	28	4.912	4.802	5.56	2.73	E1F	1-19/32	0	1-7/8	23/32	1/2	2-5/8	8.5
P2914M55	SK	29	5.088	4.978	5.56	2.73	E1F	1-19/32	0	1-7/8	23/32	1/2	2-5/8	9.5
P3014M55	SK	30	5.263	5.153	5.56	4.04	A1F	1/32	3/4	1-7/8	27/32	1/2	2-5/8	8.7
P3214M55	SK	32	5.614	5.504	6.09	4.04	A1F	1/32	3/4	1-7/8	27/32	1/2	2-5/8	10.7
P3414M55	SK	34	5.965	5.855	6.50	4.22	A1F	1/32	3/4	1-7/8	27/32	1/2	2-5/8	12.5
P3614M55	SF	36	6.316	6.206	6.87	4.84	A1F	1/16	3/4	2	11/16	1/2	2-15/16	13.6
P3814M55	SF	38	6.667	6.557	7.22	4.94	A1F	1/16	3/4	2	11/16	1/2	2-15/16	15.2
P4014M55	SF	40	7.018	6.908	7.50	5.06	A1F	1/16	3/4	2	11/16	1/2	2-15/16	17.4
P4414M55	E	44	7.720	7.610	8.34	6.12	D1F	11/32	9/16	2-5/8	15/32	7/8	3-1/2	23.8
P4814M55	E	48	8.421	8.311	8.90	6.50	D1F	11/32	9/16	2-5/8	15/32	7/8	3-1/2	28.8
P5214M55	E	52	9.123	9.013	9.68	7.18	D1F	11/32	9/16	2-5/8	15/32	7/8	3-1/2	33.2
P5614M55	E	56	9.825	9.715	10.38	7.88	D1F	11/32	9/16	2-5/8	15/32	7/8	3-1/2	38.0
P6014M55	E	60	10.527	10.417	11.06	8.50	D1F	11/32	9/16	2-5/8	15/32	7/8	3-1/2	43.3
P6414M55	F	64	11.229	11.119	11.68	9.25	D1F	15/16	1/8	3-5/8	1/16	1	4	62.6
P6814M55	F	68	11.930	11.820	12.50	10.00	D2F	15/16	1/8	3-5/8	1/16	1	4	54.5
P7214M55	F	72	12.632	12.522	13.19	10.69	D2F	15/16	1/8	3-5/8	1/16	1	4	58.0
P8014M55	F	80	14.036	13.926	14.63	12.12	D2F	15/16	1/8	3-5/8	1/16	1	4	61.9
P9014M55	F	90	15.790	15.680	-	14.50	D3	15/16	1/8	3-5/8	1/16	1	4	58.1
P11214M55	F	112	19.650	19.540	-	18.38	D3	15/16	1/8	3-5/8	1/16	1	4	72.2
P14414M55	F	144	25.264	25.154	-	23.88	D3	15/16	1/8	3-5/8	1/16	1	4	106.3
P16814M55	F	168	29.475	29.365	-	28.25	D3	15/16	1/8	3-5/8	1/16	1	4	110.2
P19214M55	F	192	33.686	33.576	-	32.38	D3	15/16	1/8	3-5/8	1/16	1	4	133.2
P21614M55	F	216	37.896	37.786	-	36.62	D3	15/16	1/8	3-5/8	1/16	1	4	161.6

Weights for all Sure-Grip bushed items are approximate and include the bushing.

① Drilled for both inch and metric bushing hardware.

# Synchronous 'QD' Sprocket 14M

## Dimensions

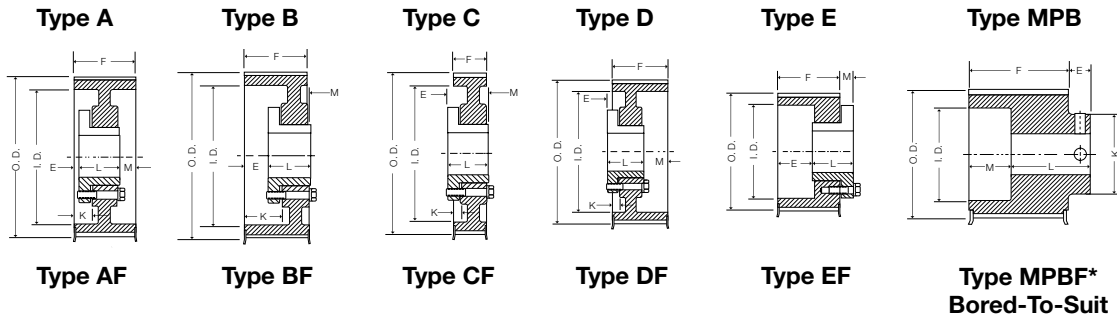
PRODUCT NO.	BUSH-ING	NO. OF TEETH	DIAMETERS				TYPE	DIMENSION (INCHES)				BORE		WT.
			P.D.	O.D.		I.D.		E	K	L	M	Min.	Max.	
				Sprocket	Flange									
FOR BELTS 85mm (3.35 in.) WIDE • 14mm PITCH (14M-85) Face Width (F) = 4														
P2814M85	SFL	28	4.912	4.802	5.56	3.12	L1F	2-1/32	-	1-1/8	1-31/32	1/2	2-3/8	10.4
P2914M85	SFL	29	5.088	4.978	5.56	3.25	L1F	2-1/32	-	1-1/8	1-31/32	1/2	2-3/8	11.7
P3014M85	EL	30	5.263	5.153	5.56	3.94	L1F	1-5/8	-	1-1/2	2-3/8	7/8	2-7/8	11.1
P3214M85	EL	32	5.614	5.504	6.09	3.94	L1F	1-5/8	-	1-1/2	2-3/8	7/8	2-7/8	14.1
P3414M85	EL	34	5.965	5.855	6.50	4.06	L1F	1-5/8	-	1-1/2	2-3/8	7/8	2-7/8	17.0
P3614M85	SF	36	6.316	6.206	6.87	4.84	A1F	11/16	1-3/8	2	1-5/16	1/2	2-15/16	16.9
P3814M85	SF	38	6.667	6.557	7.22	4.94	A1F	11/16	1-3/8	2	1-5/16	1/2	2-15/16	19.1
P4014M85	SF	40	7.018	6.908	7.50	5.06	A1F	11/16	1-3/8	2	1-5/16	1/2	2-15/16	22.1
P4414M85	E	44	7.720	7.610	8.34	6.12	A1F	9/32	1-3/16	2-5/8	1-3/32	7/8	3-1/2	27.9
P4814M85	E	48	8.421	8.311	8.90	6.50	A1F	9/32	1-3/16	2-5/8	1-3/32	7/8	3-1/2	34.5
P5214M85	E	52	9.123	9.013	9.68	7.18	A1F	9/32	1-3/16	2-5/8	1-3/32	7/8	3-1/2	39.5
P5614M85	F	56	9.825	9.715	10.38	7.88	D1F	5/16	3/4	3-5/8	11/16	7/8	3-1/2	54.8
P6014M85	F	60	10.527	10.417	11.06	8.50	D1F	5/16	3/4	3-5/8	11/16	1	4	62.8
P6414M85	F	64	11.229	11.119	11.68	9.25	D1F	5/16	3/4	3-5/8	11/16	1	4	70.8
P6814M85	F	68	11.930	11.820	12.50	10.00	D2F	5/16	3/4	3-5/8	11/16	1	4	64.1
P7214M85	F	72	12.632	12.522	13.19	10.69	D2F	5/16	3/4	3-5/8	11/16	1	4	68.6
P8014M85	F	80	14.036	13.926	14.63	12.13	D2F	5/16	3/4	3-5/8	11/16	1	4	71.0
P9014M85	F	90	15.790	15.680	-	14.50	D3	5/16	3/4	3-5/8	11/16	1	4	68.5
P11214M85	F	112	19.650	19.540	-	18.25	D3	5/16	3/4	3-5/8	11/16	1	4	89.2
P14414M85	F	144	25.264	25.154	-	23.88	D3	5/16	3/4	3-5/8	11/16	1	4	118.3
P16814M85	J	168	29.475	29.365	-	28.12	D3	27/32	13/32	4-1/2	11/32	1-7/16	4-1/2	153.0
P19214M85	J	192	33.686	33.576	-	32.38	D3	27/32	13/32	4-1/2	11/32	1-7/16	4-1/2	182.0
P21614M85	J	216	37.896	37.786	-	36.38	D3	27/32	13/32	4-1/2	11/32	1-7/16	4-1/2	244.0
FOR BELTS 115mm (4.53 in.) WIDE • 14mm PITCH (14M-115) Face Width (F) = 5-1/4														
P2814M115	SFL	28	4.912	4.802	5.56	3.25	L1F	3-9/32	-	1-1/8	1-31/32	1/2	2-3/8	13.0
P2914M115	SFL	29	5.088	4.978	5.56	3.25	L1F	3-9/32	-	1-1/8	1-31/32	1/2	2-3/8	14.7
P3014M115	EL	30	5.263	5.153	5.56	3.94	L1F	2-7/8	-	1-1/2	2-3/8	7/8	2-7/8	13.5
P3214M115	EL	32	5.614	5.504	6.09	3.94	L1F	2-7/8	-	1-1/2	2-3/8	7/8	2-7/8	16.0
P3414M115	EL	34	5.965	5.855	6.50	4.06	L1F	2-7/8	-	1-1/2	2-3/8	7/8	2-7/8	20.0
P3614M115	FL	36	6.316	6.206	6.87	4.69	L1F	1-3/4	-	2-3/8	3-1/2	1	3-1/8	24.2
P3814M115	FL	38	6.667	6.557	7.22	4.94	L1F	1-3/4	-	2-3/8	3-1/2	1	3-1/8	28.5
P4014M115	FL	40	7.018	6.908	7.50	5.06	L1F	1-3/4	-	2-3/8	3-1/2	1	3-1/8	33.4
P4414M115	E	44	7.720	7.610	8.34	6.12	A1F	29/32	1-13/16	2-5/8	1-23/32	7/8	3-1/2	32.1
P4814M115	E	48	8.421	8.311	8.90	6.50	A1F	29/32	1-13/16	2-5/8	1-23/32	7/8	3-1/2	40.1
P5214M115	F	52	9.123	9.013	9.68	7.18	A1F	5/16	1-3/8	3-5/8	1-5/16	1	4	53.8
P5614M115	F	56	9.825	9.715	10.38	7.88	A1F	5/16	1-3/8	3-5/8	1-5/16	1	4	61.7
P6014M115	F	60	10.527	10.417	11.06	8.50	A1F	5/16	1-3/8	3-5/8	1-5/16	1	4	70.6
P6414M115	J	64	11.229	11.119	11.68	9.25	D1F	1/4	1	4-1/2	1	1-7/16	4-1/2	90.0
P6814M115	J	68	11.930	11.820	12.50	10.00	D1F	1/4	1	4-1/2	1	1-7/16	4-1/2	100.8
P7214M115	J	72	12.632	12.522	13.19	10.69	D1F	1/4	1	4-1/2	1	1-7/16	4-1/2	112.7
P8014M115	J	80	14.036	13.926	14.63	12.12	D2F	1/4	1	4-1/2	1	1-7/16	4-1/2	100.8
P9014M115	J	90	15.790	15.680	-	14.50	D2	1/4	1	4-1/2	1	1-7/16	4-1/2	89.3
P11214M115	J	112	19.650	19.540	-	18.25	D3	1/4	1	4-1/2	1	1-7/16	4-1/2	116.5
P14414M115	J	144	25.264	25.154	-	23.88	D3	1/4	1	4-1/2	1	1-7/16	4-1/2	159.5
P16814M115	M	168	29.475	29.365	-	28.09	C3	1-13/32	1/16	6-3/4	3/32	1-15/16	5-1/2	261.0
P19214M115	M	192	33.686	33.576	-	32.25	C3	1-13/32	1/16	6-3/4	3/32	1-15/16	5-1/2	302.0
P21614M115	M	216	37.896	37.786	-	36.38	C3	1-13/32	1/16	6-3/4	3/32	1-15/16	5-1/2	350.0
FOR BELTS 170mm (6.69 in.) WIDE • 14mm PITCH (14M-170) Face Width (F) = 7-3/8														
P3614M170	FL	36	6.316	6.206	6.87	4.69	L1F	3-7/8	-	2-3/8	3-1/2	1	3-1/8	30.5
P3814M170	FL	38	6.667	6.557	7.22	4.94	L1F	3-7/8	-	2-3/8	3-1/2	1	3-1/8	35.4
P4014M170	FL	40	7.018	6.908	7.50	5.06	L1F	3-7/8	-	2-3/8	3-1/2	1	3-1/8	42.0
P4414M170	FL	44	7.720	7.610	8.34	6.12	L1F	3-7/8	-	2-3/8	3-1/2	1	3-1/8	46.4
P4814M170	FL	48	8.421	8.311	8.90	6.50	L1F	3-7/8	-	2-3/8	3-1/2	1	3-1/8	58.4
P5214M170	F	52	9.123	9.013	9.68	7.18	A1F	1-3/8	2-7/16	3-5/8	2-3/8	1	4	64.6
P5614M170	F	56	9.825	9.715	10.38	7.88	A1F	1-3/8	2-7/16	3-5/8	2-3/8	1	4	73.4
P6014M170	J	60	10.527	10.417	11.06	8.50	A1F	7/8	2-1/8	4-1/2	2	1-7/16	4-1/2	93.1
P6414M170	J	64	11.229	11.119	11.68	9.25	A1F	7/8	2-1/8	4-1/2	2	1-7/16	4-1/2	103.9
P6814M170	J	68	11.930	11.820	12.50	10.00	A1F	7/8	2-1/8	4-1/2	2	1-7/16	4-1/2	115.3
P7214M170	J	72	12.632	12.522	13.19	10.69	A1F	7/8	2-1/8	4-1/2	2	1-7/16	4-1/2	128.2
P8014M170	J	80	14.036	13.926	14.63	12.12	A2F	7/8	2-1/8	4-1/2	2	1-7/16	4-1/2	119.9
P9014M170	J	90	15.790	15.680	-	14.50	A2	7/8	2-1/8	4-1/2	2	1-7/16	4-1/2	104.2
P11214M170	M	112	19.650	19.540	-	18.25	D3	1/32	1-7/16	6-3/4	21/32	1-15/16	5-1/2	205.6
P14414M170	M	144	25.264	25.154	-	23.62	D3	1/32	1-7/16	6-3/4	21/32	1-15/16	5-1/2	268.2
P16814M170	M	168	29.475	29.365	-	28.10	D3	1/32	1-7/16	6-3/4	21/32	1-15/16	5-1/2	293.3
P19214M170	M	192	33.686	33.576	-	32.25	D3	1/32	1-7/16	6-3/4	21/32	1-15/16	5-1/2	334.9
P21614M170	M	216	37.896	37.786	-	36.38	D3	1/32	1-7/16	6-3/4	21/32	1-15/16	5-1/2	383.6

Weights for all Sure-Grip bushed items are approximate and include the bushing.

# Synchronous 'QD' Sprocket 20M

## Dimensions

The synchronous sprockets listed in the tables below are all stock sizes. All dimensions given are for the sprocket with the Sure-Grip bushing in place and are in inches only.



The figure following the sketch reference letter in the "Type" column indicates the construction of the sprocket. (1 = Solid, 2 = Web, and 3 = Arms), and the letter "F" indicates that the sprocket has flanges.

PRODUCT NO.	BUSH-ING	NO. OF TEETH	DIAMETERS				TYPE	DIMENSIONS (INCHES)				BORE		WT.
			P.D.	O.D.		I.D.		E	K	L	M	Min.	Max.	
				Sprocket	Flange									
FOR BELTS 115mm (4.53 in.) WIDE • 20mm PITCH (20M-115) Face Width (F) = 5-3/8														
P3420M115	F	34	8.522	8.352	9.45	6.88	A1F	3/8	1-7/16	3-5/8	1-3/8	1	4	41.5
P3620M115	F	36	9.023	8.853	9.84	7.00	A1F	3/8	1-7/16	3-5/8	1-3/8	1	4	50.1
P3820M115	F	38	9.524	9.354	10.43	7.56	A1F	3/8	1-7/16	3-5/8	1-3/8	1	4	54.9
P4020M115	F	40	10.026	9.856	10.83	8.00	A1F	3/8	1-7/16	3-5/8	1-3/8	1	4	61.0
P4420M115	F	44	11.028	10.858	11.81	8.93	A1F	3/8	1-7/16	3-5/8	1-3/8	1	4	73.6
P4820M115	J	48	12.031	11.861	12.80	9.93	D1F	1/16	1-3/16	4-1/2	15/16	1-7/16	4-1/2	99.6
P5220M115	J	52	13.033	12.863	13.76	10.88	D2F	1/16	1-3/16	4-1/2	15/16	1-7/16	4-1/2	95.5
P5620M115	J	56	14.036	13.866	14.76	11.88	D2F	1/16	1-3/16	4-1/2	15/16	1-7/16	4-1/2	103.1
P6020M115	J	60	15.038	14.868	15.93	13.06	D2F	1/16	1-3/16	4-1/2	15/16	1-7/16	4-1/2	109.7
P6420M115	J	64	16.041	15.871	16.93	14.06	D2F	1/16	1-3/16	4-1/2	15/16	1-7/16	4-1/2	119.4
P6820M115	J	68	17.044	16.874	17.93	15.00	D2F	1/16	1-3/16	4-1/2	15/16	1-7/16	4-1/2	125.4
P7220M115	J	72	18.046	17.876	18.90	16.00	D2F	1/16	1-3/16	4-1/2	15/16	1-7/16	4-1/2	134.7
P8020M115	M	80	20.051	19.881	20.87	18.00	C2F	1-9/32	3/16	6-3/4	3/32	1-15/16	5-1/2	216.2
P9020M115	M	90	22.558	22.388	23.43	20.56	C2F	1-9/32	3/16	6-3/4	3/32	1-15/16	5-1/2	246.5
P11220M115	M	112	28.072	27.902	-	26.38	C3	1-9/32	3/16	6-3/4	3/32	1-15/16	5-1/2	273.2
P14420M115	N	144	36.092	35.922	-	34.38	C3	1-11/16	0	8-1/8	1-1/16	2-7/16	6	392.3
P16820M115	N	168	42.108	41.938	-	40.38	C3	1-11/16	0	8-1/8	1-1/16	2-7/16	6	469.0
P19220M115	N	192	48.123	47.953	-	46.25	C3	1-11/16	0	8-1/8	1-1/16	2-7/16	6	551.7
P21620M115	N	216	54.138	53.968	-	52.25	C3	1-11/16	0	8-1/8	1-1/16	2-7/16	6	617.5
FOR BELTS 170mm (6.69 in.) WIDE • 20mm PITCH (20M-170) Face Width (F) = 7-1/2														
P3420M170*	-	34	8.522	8.352	9.45	6.50	MPB1F	1-1/4	6-1/2	6-1/2	2-1/4	2-1/8*	4-1/8	81.4
P3620M170*	-	36	9.023	8.853	9.84	7.00	MPB1F	1-1/4	7	6-1/2	2-1/4	2-1/8*	4-1/2	92.6
P3820M170	J	38	9.524	9.354	10.43	7.56	A1F	15/16	2-3/16	4-1/2	2-1/16	1-7/16	4-1/2	71.7
P4020M170	J	40	10.026	9.856	10.83	8.00	A1F	15/16	2-3/16	4-1/2	2-1/16	1-7/16	4-1/2	79.8
P4420M170	J	44	11.028	10.858	11.81	8.93	A1F	15/16	2-3/16	4-1/2	2-1/16	1-7/16	4-1/2	96.5
P4820M170	M	48	12.031	11.861	12.80	9.93	A1F	1/32	1-1/2	6-3/4	23/32	1-15/16	5-1/2	148.0
P5220M170	M	52	13.033	12.863	13.76	10.88	A1F	1/32	1-1/2	6-3/4	23/32	1-15/16	5-1/2	175.3
P5620M170	M	56	14.036	13.866	14.76	11.88	A1F	1/32	1-1/2	6-3/4	23/32	1-15/16	5-1/2	204.4
P6020M170	M	60	15.038	14.868	15.93	13.06	A1F	1/32	1-1/2	6-3/4	23/32	1-15/16	5-1/2	233.3
P6420M170	M	64	16.041	15.871	16.93	14.06	A2F	1/32	1-1/2	6-3/4	23/32	1-15/16	5-1/2	209.5
P6820M170	M	68	17.044	16.874	17.93	15.00	A2F	1/32	1-1/2	6-3/4	23/32	1-15/16	5-1/2	222.0
P7220M170	M	72	18.046	17.876	18.90	16.00	A2F	1/32	1-1/2	6-3/4	23/32	1-15/16	5-1/2	230.2
P8020M170	M	80	20.051	19.881	20.87	18.00	A2F	1/32	1-1/2	6-3/4	23/32	1-15/16	5-1/2	248.8
P9020M170	M	90	22.558	22.388	23.43	20.56	A2F	1/32	1-1/2	6-3/4	23/32	1-15/16	5-1/2	284.5
P11220M170	N	112	28.072	27.902	-	26.25	C3	7/16	1-1/4	8-1/8	3/16	2-7/16	6	360.7
P14420M170	N	144	36.092	35.922	-	34.25	C3	7/16	1-1/4	8-1/8	3/16	2-7/16	6	478.0
P16820M170	P	168	42.108	41.938	-	40.25	C3	13/16	1-1/16	9-3/8	1-1/16	2-15/16	7	658.3
P19220M170	P	192	48.123	47.953	-	46.25	C3	13/16	1-1/16	9-3/8	1-1/16	2-15/16	7	739.1
P21620M170	P	216	54.138	53.968	-	52.12	C3	13/16	1-1/16	9-3/8	1-1/16	2-15/16	7	900.6

Weights for all Sure-Grip bushed items are approximate and include the bushing.

\*Bored-To-Suit construction, minimum plain bore with 2 setscrews.

# Synchronous 'QD' Sprocket 20M

## Dimensions

PRODUCT NO.	BUSH-ING	NO. OF TEETH	DIAMETERS				TYPE	DIMENSIONS (INCHES)				BORE		WT.
			P.D.	O.D.		I.D.		E	K	L	M	Min.	Max.	
				Sprocket	Flange									
FOR BELTS 230mm (9.06in.) WIDE • 20mm PITCH (20M-230) Face Width (F) = 9-7/8														
P3820M230*	-	38	9.524	9.354	10.43	7.56	MPB1F	1-1/4	7-1/2	7-1/2	3-5/8	2-7/8*	5-1/4	119.9
P4020M230*	-	40	10.026	9.856	10.83	8.00	MPB1F	1-1/4	8	8-1/2	2-5/8	2-7/8*	5-7/8	146.8
P4420M230*	-	44	11.028	10.858	11.81	8.93	MPB1F	1-1/4	8-1/4	8-1/2	2-5/8	2-7/8*	6	179.6
P4820M230	M	48	12.031	11.861	12.80	9.93	A1F	17/32	2	6-3/4	2-19/32	1-15/16	5-1/2	163.6
P5220M230	M	52	13.033	12.863	13.76	10.88	A1F	17/32	2	6-3/4	2-19/32	1-15/16	5-1/2	193.0
P5620M230	M	56	14.036	13.866	14.76	11.88	A1F	17/32	2	6-3/4	2-19/32	1-15/16	5-1/2	223.5
P6020M230	M	60	15.038	14.868	15.93	13.06	A1F	17/32	2	6-3/4	2-19/32	1-15/16	5-1/2	251.8
P6420M230	M	64	16.041	15.871	16.93	14.06	A2F	17/32	2	6-3/4	2-19/32	1-15/16	5-1/2	232.7
P6820M230	N	68	17.044	16.874	17.93	15.00	A1F	1/8	1-13/16	8-1/8	1-5/8	2-7/16	6	375.3
P7220M230	N	72	18.046	17.876	18.90	16.00	A2F	1/8	1-13/16	8-1/8	1-5/8	2-7/16	6	338.7
P8020M230	N	80	20.051	19.881	20.37	18.00	A2F	1/8	1-13/16	8-1/8	1-5/8	2-7/16	6	331.3
P9020M230	N	90	22.558	22.388	23.43	20.56	A2F	1/8	1-13/16	8-1/8	1-5/8	2-7/16	6	370.2
P11220M230	N	112	28.072	27.902	-	26.25	A3	1/8	1-13/16	8-1/8	1-5/8	2-7/16	6	408.6
P14420M230	P	144	36.092	35.922	-	34.25	D3	9/16	1-5/16	9-3/8	1-1/16	2-15/16	6	622.1
P16820M230	P	168	42.018	41.938	-	40.25	D3	9/16	1-5/16	9-3/8	1-1/16	2-15/16	7	741.8
P19220M230	W	192	48.123	47.953	-	46.00	C3	3/4	1-1/2	11-3/8	3/4	4-1/4	8-1/2	1111.1
P21620M230	W	216	54.138	53.968	-	52.00	C3	3/4	1-1/2	11-3/8	3/4	4-1/4	8-1/2	1237.5
FOR BELTS 290mm (11.42in.) WIDE • 20mm PITCH (20m-290) Face Width (F) = 12-1/4														
P5220M290	N	52	13.033	12.863	13.76	10.88	A1F	13/16	2-1/2	8-1/8	3-5/16	2-7/16	6	238.0
P5620M290	N	56	14.036	13.866	14.76	11.88	A1F	13/16	2-1/2	8-1/8	3-5/16	2-7/16	6	275.0
P6020M290	N	60	15.038	14.868	15.93	13.06	A1F	13/16	2-1/2	8-1/8	3-5/16	2-7/16	6	309.0
P6420M290	N	64	16.041	15.871	16.93	14.06	A1F	13/16	2-1/2	8-1/8	3-5/16	2-7/16	6	350.7
P6820M290	N	68	17.044	16.874	17.93	15.00	A1F	13/16	2-1/2	8-1/8	3-5/16	2-7/16	6	397.3
P7220M290	N	72	18.046	17.876	18.89	16.00	A2F	13/16	2-1/2	8-1/8	3-5/16	2-7/16	6	362.2
P8020M290	N	80	20.051	19.881	20.87	18.00	A2F	13/16	2-1/2	8-1/8	3-5/16	2-7/16	6	365.7
P9020M290	N	90	22.558	22.388	23.43	20.56	A2F	13/16	2-1/2	8-1/8	3-5/16	2-7/16	6	411.0
P11220M290	P	112	28.072	27.902	-	26.12	A2	5/8	2-1/2	9-3/8	2-1/4	2-15/16	7	600.9
P14420M290	P	144	36.092	35.922	-	34.00	A3	5/8	2-1/2	9-3/8	2-1/4	2-15/16	7	724.9
P16820M290	W	168	42.108	41.938	-	40.00	A3	7/16	2-11/16	11-3/8	7/16	4-1/4	8-1/2	1067.2
P19220M290	W	192	48.123	47.953	-	46.00	A3	7/16	2-11/16	11-3/8	7/16	4-1/4	8-1/2	1236.3
P21620M290	W	216	54.138	53.968	-	52.00	A3	7/16	2-11/16	11-3/8	7/16	4-1/4	8-1/2	1414.9
FOR BELTS 340mm (13.39in.) WIDE • 20mm PITCH (20m-340) Face Width (F) = 14-1/4														
P5220M340	N	52	13.033	12.863	13.76	10.88	A1F	13/16	2-1/2	8-1/8	5-5/16	2-7/16	6	252.8
P5620M340	N	56	14.036	13.866	14.76	11.88	A1F	13/16	2-1/2	8-1/8	5-5/16	2-7/16	6	291.1
P6020M340	N	60	15.038	14.868	15.93	13.06	A1F	13/16	2-1/2	8-1/8	5-5/16	2-7/16	6	324.5
P6420M340	N	64	16.041	15.871	16.93	14.06	A1F	13/16	2-1/2	8-1/8	5-5/16	2-7/16	6	367.4
P6820M340	N	68	17.044	16.874	17.93	15.00	A1F	13/16	2-1/2	8-1/8	5-5/16	2-7/16	6	415.9
P7220M340	N	72	18.046	17.876	18.90	16.00	A2F	13/16	2-1/2	8-1/8	5-5/16	2-7/16	6	382.0
P8020M340	P	80	20.051	19.881	20.87	18.00	A2F	1-5/8	3-1/2	9-3/8	3-1/4	2-15/16	7	494.0
P9020M340	P	90	22.558	22.388	23.43	20.56	A2F	1-5/8	3-1/2	9-3/8	3-1/4	2-15/16	7	513.1
P11220M340	P	112	28.072	27.902	-	26.12	A2	1-5/8	3-1/2	9-3/8	3-1/4	2-15/16	7	630.6
P14420M340	W	144	36.092	35.922	-	34.00	A3	3/8	2-5/8	11-3/8	2-1/2	4-1/4	8-1/2	989.4
P16820M340	W	168	42.108	41.938	-	40.00	A3	3/8	2-5/8	11-3/8	2-1/2	4-1/4	8-1/2	1123.2
P19220M340	S	192	48.123	47.953	-	46.00	D3	2-1/2	1-1/8	15-3/4	1	6	10	1710.8
P21620M340	S	216	54.138	53.968	-	51.88	D3	2-1/2	1-1/8	15-3/4	1	6	10	1897.9

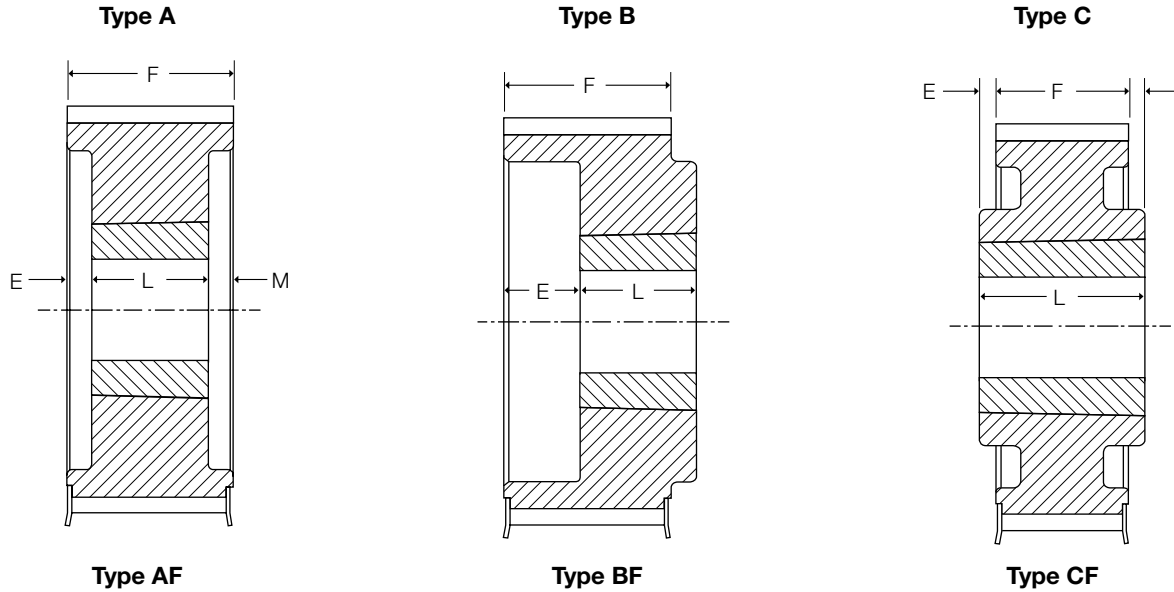
Weights for all Sure-Grip bushed items are approximate and include the bushing.  
 \*Bored-To-Suit construction, minimum plain bore with 2 setscrews.

# Synchronous Taper-Lock® Sprocket 8M

## Dimensions

### SPROCKET TYPES

The synchronous sprockets listed in the tables below are all stock sizes. All dimensions given are for the sprocket with the Taper-Lock bushing in place and are in inches only.



The figure following the sketch reference letter in the “Type” column indicates the construction of the sprocket. (1 = Solid, 2 = Web, and 3 = Arms), and the letter “F” indicates that the sprocket has flanges.

PRODUCT NO.	BUSHING	NO. OF TEETH	DIAMETERS				TYPE	DIMENSIONS (INCHES)			BORE		WT.
			P.D.	O.D.		I.D.		E	L	M	Min.	Max.	
				Sprocket	Flange								
FOR BELTS 20mm (.79 in.) WIDE • 8mm PITCH (8M-20) Face Width (F) = 1-1/8													
P228M20TL	TL1108	22.00	2.206	2.152	2.56	0.25	A1F	0.25	0.88	0	0.50	1.12	0.5
P248M20TL	TL1108	24.00	2.406	2.352	2.76	1.75	A1F	0	0.88	0.25	0.50	1.12	0.7
P268M20TL	TL1108	26.00	2.607	2.553	2.95	1.88	A1F	0	0.88	0.25	0.50	1.12	0.9
P288M20TL	TL1108	28.00	2.807	2.759	3.15	2.06	A1F	0	0.88	0.25	0.50	1.12	1.2
P308M20TL	TL1210	30.00	3.008	2.958	3.35	2.18	A1F	0.12	1.00	0	0.50	1.25	1.2
P328M20TL	TL1210	32.00	3.208	3.156	3.54	2.56	A1F	0.12	1.00	0	0.50	1.25	1.4
P348M20TL	TL1610	34.00	3.409	3.355	3.82	2.75	A1F	0.12	1.00	0	0.50	1.69	1.4
P368M20TL	TL1610	36.00	3.609	3.555	3.94	2.69	A1F	0.12	1.00	0	0.50	1.69	1.7
P388M20TL	TL1610	38.00	3.810	3.756	4.13	2.94	A1F	0.12	1.00	0	0.50	1.69	2.0
P408M20TL	TL1610	40.00	4.010	3.956	4.33	3.00	A1F	0.12	1.00	0	0.50	1.69	2.4
P448M20TL	TL2012	44.00	4.411	4.357	4.76	0	B1F	0	1.25	0.12	0.50	2.12	2.6
P488M20TL	TL2012	48.00	4.812	4.758	5.16	0	B1F	0	1.25	0.12	0.50	2.12	3.4
P568M20TL	TL2012	56.00	5.614	5.560	5.95	0	B1F	0	1.25	0.12	0.50	2.12	5.3
P648M20TL	TL2012	64.00	6.416	6.362	6.77	0	B1F	0	1.25	0.12	0.50	2.12	7.5
P728M20TL	TL2012	72.00	7.218	7.164	7.60	0	B1F	0	1.25	0.12	0.50	2.12	9.9
P808M20TL	TL2517	80.00	8.020	7.966	8.39	0	B1F	0	1.75	0.62	0.50	2.69	11.9
P908M20TL	TL2517	90.00	9.023	8.969	0	7.88	B2	0	1.75	0.62	0.50	2.69	12.5

Weights for all Taper-Lock bushed items are approximate and include the bushing.  
© Registered Trademark of Rockwell Automation-Dodge.

# Synchronous Taper-Lock® Sprocket 8M

## Dimensions

PRODUCT NO.	BUSH-ING	NO. OF TEETH	DIAMETERS				TYPE	DIMENSIONS (INCHES)			BORE		WT.
			P.D.	O.D.		I.D.		E	L	M	Min.	Max.	
				Sprocket	Flange								
FOR BELTS 30mm (1.18 in ) WIDE. 8mm PITCH (8M-30) Face Width (F) = 1-1/2													
P228M30TL	TL1108	22.00	2.206	2.152	2.56	0	A1F	0.63	0.88	0	0.50	1.12	0.7
P248M30TL	TL1108	24.00	2.406	2.352	2.76	1.34	A1F	0	0.88	0.63	0.50	1.12	0.9
P268M30TL	TL1108	26.00	2.607	2.553	2.95	1.88	A1F	0	0.88	0.63	0.50	1.12	1.2
P288M30TL	TL1108	28.00	2.807	2.759	3.15	1.57	A1F	0.12	0.88	0.50	0.50	1.12	1.6
P308M30TL	TL1210	30.00	3.008	2.958	3.35	2.25	A1F	0.12	1.00	0.38	0.50	1.25	1.5
P328M30TL	TL1210	32.00	3.208	3.156	3.54	2.38	A1F	0.12	1.00	0.38	0.50	1.25	1.9
P348M30TL	TL1610	34.00	3.409	3.355	3.82	2.75	A1F	0.12	1.00	0.38	0.50	1.69	2.3
P368M30TL	TL1610	36.00	3.609	3.555	3.94	2.81	A1F	0.12	1.00	0.38	0.50	1.69	2.2
P388M30TL	TL1610	38.00	3.810	3.756	4.13	3.00	A1F	0.12	1.00	0.38	0.50	1.69	2.7
P408M30TL	TL2012	40.00	4.010	3.956	4.33	3.19	A1F	0	1.25	0.25	0.50	2.12	2.4
P448M30TL	TL2012	44.00	4.411	4.357	4.76	3.50	A1F	0	1.25	0.25	0.50	2.12	3.4
P488M30TL	TL2012	48.00	4.812	4.758	5.16	3.81	A1F	0	1.25	0.25	0.50	2.12	4.5
P568M30TL	TL2012	56.00	5.614	5.560	5.95	4.56	A1F	0	1.25	0.25	0.50	2.12	7.0
P648M30TL	TL2517	64.00	6.416	6.362	6.77	0	B1F	0	1.75	0.25	0.50	2.69	8.9
P728M30TL	TL2517	72.00	7.218	7.164	7.60	0	B1F	0	1.75	0.25	0.50	2.69	12.1
P808M30TL	TL2517	80.00	8.020	7.966	8.39	0	B1F	0	1.75	0.25	0.50	2.69	15.8
P908M30TL	TL2517	90.00	9.023	8.969	0	7.88	C2	0.12	1.75	0.12	0.50	2.69	13.8
P1128M30TL	TL2517	112.00	11.229	11.175	0	10.00	C2	0.12	1.75	0.12	0.50	2.69	23.5
FOR BELTS 50mm (1.97 in ) WIDE. 8mm PITCH (8M-50) Face Width (F) = 2-3/8													
P288M50TL	TL1108	28.00	2.807	2.759	3.15	0	A1F	0	0.88	1.50	0.50	1.12	2.1
P308M50TL	TL1210	30.00	3.008	2.958	3.35	0	A1F	0	1.00	1.38	0.50	1.25	2.2
P328M50TL	TL1210	32.00	3.208	3.156	3.54	0	A1F	0	1.00	1.38	0.50	1.25	2.1
P348M50TL	TL1610	34.00	3.409	3.355	3.82	2.75	A1F	0	1.00	1.38	0.50	1.69	2.1
P368M50TL	TL1610	36.00	3.609	3.555	3.94	2.81	A1F	0	1.00	1.38	0.50	1.69	2.7
P388M50TL	TL1610	38.00	3.810	3.756	4.13	3.00	A1F	0	1.00	1.38	0.50	1.69	3.1
P408M50TL	TL2012	40.00	4.010	3.956	4.33	3.00	A1F	0	1.25	1.12	0.50	2.12	3.4
P448M50TL	TL2012	44.00	4.411	4.357	4.76	3.50	A1F	0	1.25	1.12	0.50	2.12	4.3
P488M50TL	TL2012	48.00	4.812	4.758	5.16	3.75	A1F	0	1.25	1.12	0.50	2.12	5.5
P568M50TL	TL2517	56.00	5.614	5.560	5.95	4.62	A1F	0	1.75	0.62	0.50	2.69	8.1
P648M50TL	TL2517	64.00	6.416	6.362	6.77	5.40	A1F	0	1.75	0.62	0.50	2.69	11.7
P728M50TL	TL2517	72.00	7.218	7.164	7.60	6.19	A1F	0	1.75	0.62	0.50	2.69	15.7
P808M50TL	TL2517	80.00	8.020	7.966	8.39	6.88	A1F	0	1.75	0.62	0.50	2.69	20.3
P908M50TL	TL3020	90.00	9.023	8.969	0	7.88	A1	0	2.00	0.38	0.88	3.25	31.7
P1128M50TL	TL3020	112.00	11.229	11.175	0	10.00	A2	0	2.00	0.38	0.88	3.25	34.7
FOR BELTS 85mm (3.35 in ) WIDE. 8mm PITCH (8M-85) Face Width (F) = 3-3/4													
P348M85TL	TL1615	34.00	3.409	3.355	3.82	0	A1F	0.75	1.50	1.50	0.50	1.69	3.3
P368M85TL	TL1615	36.00	3.609	3.555	3.94	2.88	A1F	0.75	1.50	1.50	0.50	1.69	4.2
P388M85TL	TL1610	38.00	3.810	3.756	4.13	3.00	A1F	1.38	1.00	1.38	0.50	1.69	4.7
P408M85TL	TL2012	40.00	4.010	3.956	4.33	3.00	A1F	1.25	1.25	1.25	0.50	2.12	4.7
P448M85TL	TL2012	44.00	4.411	4.357	4.76	3.50	A1F	1.25	1.25	1.25	0.50	2.12	6.4
P488M85TL	TL2012	48.00	4.812	4.758	5.16	3.75	A1F	1.25	1.25	1.25	0.50	2.12	8.0
P568M85TL	TL2517	56.00	5.614	5.560	5.95	4.56	A1F	1.00	1.75	1.00	0.50	2.69	11.0
P648M85TL	TL2517	64.00	6.416	6.362	6.77	5.38	A1F	1.00	1.75	1.00	0.50	2.69	15.0
P728M85TL	TL3020	72.00	7.218	7.164	7.60	6.19	A1F	0.88	2.00	0.88	0.88	3.25	18.2
P808M85TL	TL3020	80.00	8.020	7.966	8.39	6.88	A1F	0.88	2.00	0.88	0.88	3.25	24.2
P908M85TL	TL3020	90.00	9.023	8.969	0	7.88	A1	0.88	2.00	0.88	0.88	3.25	31.9
P1128M85TL	TL3020	112.00	11.229	11.175	0	10.00	A2	0.88	2.00	0.88	0.88	3.25	34.6

Weights for all Taper-Lock bushed items are approximate and include the bushing.

© Registered Trademark of Rockwell Automation-Dodge.



# Synchronous Taper-Lock® Sprocket 14M

## Dimensions

PRODUCT NO.	BUSH-ING	NO. OF TEETH	DIAMETERS				TYPE	DIMENSIONS (INCHES)			BORE		WT.
			P.D.	O.D.		I.D.		E	L	M	Min.	Max.	
				Sprocket	Flange								
FOR BELTS 40mm (1.57 in ) WIDE. 14mm PITCH (14M-40) Face Width (F) = 2-1/8													
P2814M40TL	TL2012	28.00	4.912	4.808	5.56	3.12	A1F	0	1.25	0.88	0.50	2.12	3.5
P2914M40TL	TL2012	29.00	5.088	4.983	5.56	3.12	A1F	0	1.25	0.88	0.50	2.12	3.9
P3014M40TL	TL2012	30.00	5.263	5.157	6.09	3.92	A1F	0	1.25	0.88	0.50	2.12	6.4
P3214M40TL	TL2012	32.00	5.614	5.507	6.09	3.92	A1F	0	1.25	0.88	0.50	2.12	8.0
P3414M40TL	TL2012	34.00	5.965	5.858	6.50	4.06	A1F	0	1.25	0.88	0.50	2.12	9.4
P3614M40TL	TL2517	36.00	6.316	6.208	6.87	4.84	A1F	0	1.75	0.38	0.50	2.69	10.5
P3814M40TL	TL2517	38.00	6.667	6.559	7.22	4.94	A1F	0	1.75	0.38	0.50	2.69	12.2
P4014M40TL	TL2517	40.00	7.018	6.909	7.50	5.06	A1F	0	1.75	0.38	0.50	2.69	14.2
P4414M40TL	TL2517	44.00	7.720	7.610	8.34	6.12	A1F	0	1.75	0.38	0.50	2.69	17.6
P4814M40TL	TL2517	48.00	8.421	8.311	8.90	6.50	A1F	0	1.75	0.38	0.50	2.69	22.0
P5214M40TL	TL2517	52.00	9.123	9.013	9.68	7.18	A1F	0	1.75	0.38	0.50	2.69	26.5
P5614M40TL	TL2517	56.00	9.825	9.715	10.38	7.88	A2F	0	1.75	0.38	0.50	2.69	21.5
P6014M40TL	TL3020	60.00	10.527	10.417	11.06	8.50	A2F	0	2.00	0.12	0.88	3.25	33.7
P6414M40TL	TL3020	64.00	11.229	11.119	11.68	9.25	A2F	0	2.00	0.12	0.88	3.25	36.5
P6814M40TL	TL3020	68.00	11.930	11.820	12.50	10.00	A2F	0	2.00	0.12	0.88	3.25	39.3
P7214M40TL	TL3020	72.00	12.632	12.522	13.19	10.69	A2F	0	2.00	0.12	0.88	3.25	42.6
P8014M40TL	TL3020	80.00	14.036	13.926	14.63	12.12	A3F	0	2.00	0.12	0.88	3.25	38.8
P9014M40TL	TL3020	90.00	15.790	15.680	0	14.50	A3	0	2.00	0.12	0.88	3.25	44.5
P11214M40TL	TL3020	112.00	19.650	19.540	0	18.38	A3	0	2.00	0.12	0.88	3.25	64.9
FOR BELTS 55mm (2.17 in ) WIDE. 14mm PITCH (14M-55) Face Width (F) = 2-3/4													
P2814M55TL	TL2012	28.00	4.912	4.808	5.56	3.12	A1F	0	1.25	1.50	0.50	2.12	7.4
P2914M55TL	TL2012	29.00	5.088	4.983	5.56	3.12	A1F	0	1.25	1.50	0.50	2.12	8.4
P3014M55TL	TL2517	30.00	5.263	5.157	6.09	3.92	A1F	0	1.75	1.00	0.50	2.69	7.2
P3214M55TL	TL2517	32.00	5.614	5.507	6.09	3.92	A1F	0	1.75	1.00	0.50	2.69	9.3
P3414M55TL	TL2517	34.00	5.965	5.858	6.50	4.06	A1F	0	1.75	1.00	0.50	2.69	11.2
P3614M55TL	TL2517	36.00	6.316	6.208	6.87	4.84	A1F	0	1.75	1.00	0.50	2.69	12.4
P3814M55TL	TL2517	38.00	6.667	6.559	7.22	4.94	A1F	0	1.75	1.00	0.50	2.69	14.4
P4014M55TL	TL2517	40.00	7.018	6.909	7.50	5.06	A1F	0	1.75	1.00	0.50	2.69	16.7
P4414M55TL	TL2517	44.00	7.720	7.610	8.34	6.12	A1F	0	1.75	1.00	0.50	2.69	19.9
P4814M55TL	TL3020	48.00	8.421	8.311	8.90	6.50	A1F	0	2.00	0.75	0.88	3.25	29.2
P5214M55TL	TL3020	52.00	9.123	9.013	9.68	7.18	A1F	0	2.00	0.75	0.88	3.25	34.5
P5614M55TL	TL3020	56.00	9.825	9.715	10.38	7.88	A1F	0	2.00	0.75	0.88	3.25	40.1
P6014M55TL	TL3020	60.00	10.527	10.417	11.06	8.50	A1F	0	2.00	0.75	0.88	3.25	46.4
P6414M55TL	TL3020	64.00	11.229	11.119	11.68	9.25	A1F	0	2.00	0.75	0.88	3.25	52.7
P6814M55TL	TL3020	68.00	11.930	11.820	12.50	10.00	A2F	0	2.00	0.75	0.88	3.25	45.5
P7214M55TL	TL3020	72.00	12.632	12.522	13.19	10.69	A2F	0	2.00	0.75	0.88	3.25	49.5
P8014M55TL	TL3020	80.00	14.036	13.926	14.63	12.12	A3F	0	2.00	0.75	0.88	3.25	45.2
P9014M55TL	TL3020	90.00	15.790	15.680	0	14.50	A3	0	2.00	0.75	0.88	3.25	46.1
P11214M55TL	TL3020	112.00	19.650	19.540	0	18.38	A3	0	2.00	0.75	0.88	3.25	69.8

Weights for all Taper-Lock bushed items are approximate and include the bushing.  
 © Registered Trademark of Rockwell Automation-Dodge.



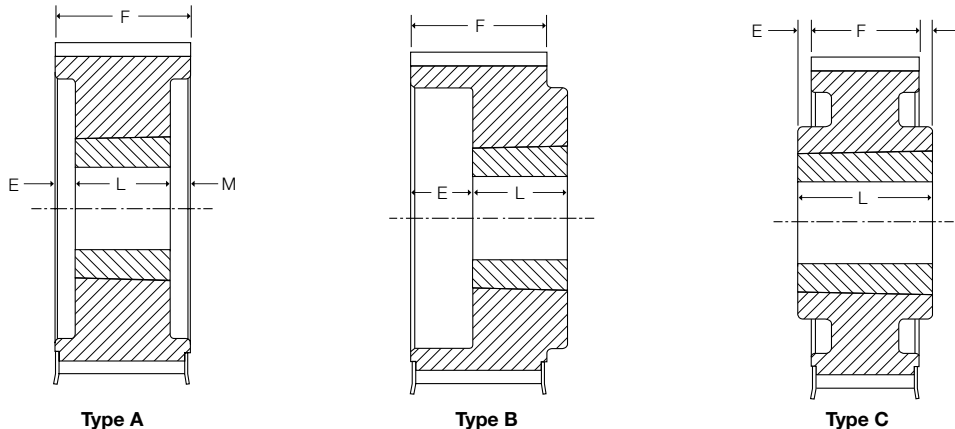
# Synchronous Taper-Lock® Sprocket 14M

## Dimensions

PRODUCT NO.	BUSH-ING	NO. OF TEETH	DIAMETERS				TYPE	DIMENSIONS (INCHES)			BORE		WT.
			P.D.	O.D.		I.D.		E	L	M	Min.	Max.	
				Sprocket	Flange								
FOR BELTS 85mm (3.35 in ) WIDE. 14mm PITCH (14M-85) Face Width (F) = 4													
P2814M85TL	TL2012	28.00	4.912	4.808	5.56	3.12	A1F	0.50	1.25	2.25	0.50	2.12	10.5
P2914M85TL	TL2012	29.00	5.088	4.983	5.56	3.25	A1F	0.50	1.25	2.25	0.50	2.12	11.9
P3014M85TL	TL2517	30.00	5.263	5.157	6.09	3.94	A1F	0.50	1.75	1.75	0.50	2.69	9.7
P3214M85TL	TL2517	32.00	5.614	5.507	6.09	3.94	A1F	0.88	1.75	1.38	0.50	2.69	12.7
P3414M85TL	TL2517	34.00	5.965	5.858	6.50	4.06	A1F	0.88	1.75	1.38	0.50	2.69	15.3
P3614M85TL	TL3020	36.00	6.316	6.208	6.87	4.84	A1F	0.53	2.00	1.47	0.88	3.25	19.3
P3814M85TL	TL3020	38.00	6.667	6.559	7.22	4.94	A1F	0.53	2.00	1.47	0.88	3.25	21.9
P4014M85TL	TL3020	40.00	7.018	6.909	7.50	5.06	A1F	0.53	2.00	1.47	0.88	3.25	25.1
P4414M85TL	TL3020	44.00	7.720	7.610	8.34	6.12	A1F	0.53	2.00	1.47	0.88	3.25	28.4
P4814M85TL	TL3020	48.00	8.421	8.311	8.90	6.50	A1F	0.53	2.00	1.47	0.88	3.25	35.4
P5214M85TL	TL3535	52.00	9.123	9.013	9.68	7.18	A1F	0	3.50	0.50	1.19	3.94	42.9
P5614M85TL	TL3535	56.00	9.825	9.715	10.38	7.88	A1F	0	3.50	0.50	1.19	3.94	52.4
P6014M85TL	TL3535	60.00	10.527	10.417	11.06	8.50	A1F	0	3.50	0.50	1.19	3.94	62.7
P6414M85TL	TL3535	64.00	11.229	11.119	11.68	9.25	A1F	0	3.50	0.50	1.19	3.94	73.6
P6814M85TL	TL3535	68.00	11.930	11.820	12.50	10.00	A1F	0	3.50	0.50	1.19	3.94	64.2
P7214M85TL	TL3535	72.00	12.632	12.522	13.19	10.69	A1F	0	3.50	0.50	1.19	3.94	97.4
P8014M85TL	TL3535	80.00	14.036	13.926	14.63	12.12	A2F	0	3.50	0.50	1.19	3.94	68.9
P9014M85TL	TL3535	90.00	15.790	15.680	0	14.50	A2	0	3.50	0.50	1.19	3.94	69.1
P11214M85TL	TL3535	112.00	19.650	19.540	0	18.25	A3	0	3.50	0.50	1.19	3.94	85.7
FOR BELTS 115mm (4.53 in ) WIDE. 14mm PITCH (14M-115) Face Width (F) = 5-1/4													
P3014M115TL	TL2517	30.00	5.263	5.157	6.09	3.94	A1F	1.75	1.75	1.75	0.50	2.69	13.5
P3214M115TL	TL2517	32.00	5.614	5.507	6.09	3.94	A1F	1.75	1.75	1.75	0.50	2.69	17.3
P3414M115TL	TL2517	34.00	5.965	5.858	6.50	4.06	A1F	1.75	1.75	1.75	0.50	2.69	20.9
P3614M115TL	TL3020	36.00	6.316	6.208	6.87	4.69	A1F	1.62	2.00	1.62	0.88	3.25	18.6
P3814M115TL	TL3020	38.00	6.667	6.559	7.22	4.94	A1F	1.62	2.00	1.62	0.88	3.25	22.5
P4014M115TL	TL3020	40.00	7.018	6.909	7.50	5.06	A1F	1.62	2.00	1.62	0.88	3.25	26.8
P4414M115TL	TL3535	44.00	7.720	7.610	8.34	6.12	A1F	0.88	3.50	0.88	1.19	3.94	30.8
P4814M115TL	TL3535	48.00	8.421	8.311	8.90	6.50	A1F	0.88	3.50	0.88	1.19	3.94	41.1
P5214M115TL	TL4040	52.00	9.123	9.013	9.68	7.18	A1F	0.62	4.00	0.62	1.44	4.44	46.9
P5614M115TL	TL4040	56.00	9.825	9.715	10.38	7.88	A1F	0.62	4.00	0.62	1.44	4.44	58.3
P6014M115TL	TL4040	60.00	10.527	10.417	11.06	8.50	A1F	0.62	4.00	0.62	1.44	4.44	70.9
P6414M115TL	TL4545	64.00	11.229	11.119	11.68	9.25	A1F	0.38	4.50	0.38	1.94	4.94	82.1
P6814M115TL	TL4545	68.00	11.930	11.820	12.50	10.00	A1F	0.38	4.50	0.38	1.94	4.94	97.1
P7214M115TL	TL4545	72.00	12.632	12.522	13.19	10.69	A1F	0.38	4.50	0.38	1.94	4.94	113.3
P8014M115TL	TL4545	80.00	14.036	13.926	14.63	12.12	A2F	0.38	4.50	0.38	1.94	4.94	108.9
P9014M115TL	TL4545	90.00	15.790	15.680	0	14.50	A2	0.38	4.50	0.38	1.94	4.94	112.9
P11214M115TL	TL4545	112.00	19.650	19.540	0	18.25	A3	0.38	4.50	0.38	1.94	4.94	122.4

Weights for all Taper-Lock bushed items are approximate and include the bushing.

© Registered Trademark of Rockwell Automation-Dodge.



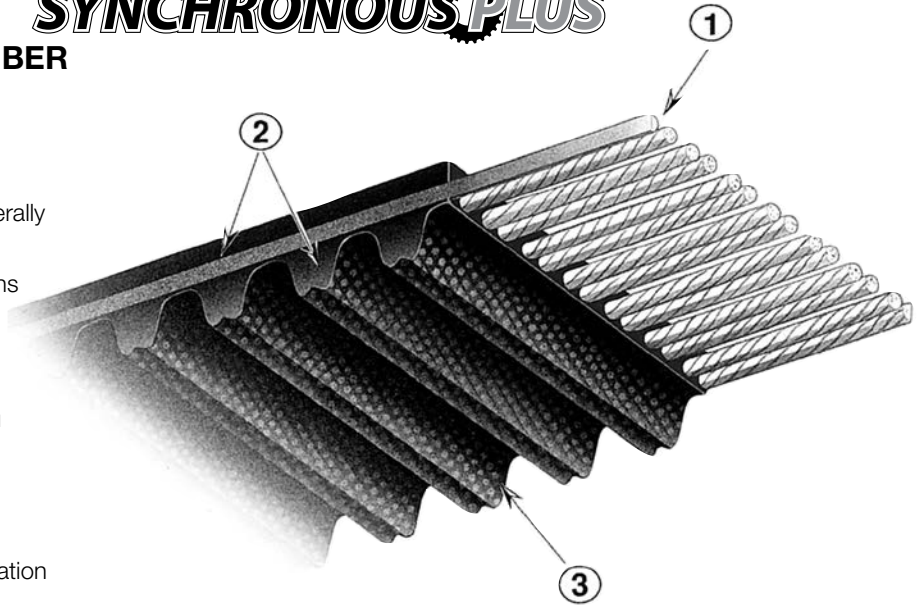
# Synchronous Plus

## Features And Benefits

# SYNCHRONOUS PLUS

### 1. FIBERGLASS TENSION MEMBER

FEATURE	BENEFIT
Excellent Dimensional Stability	Less Maintenance
No Stretch Under Load	Retensioning Generally not Required
Allows for Small Pulley and Short Center Drives	Economical Designs



### 2. MOLDED TEETH & BACKING

FEATURE	BENEFIT
Resists Damaging Environmental Factors	Longer Belt Life
Outstanding Bending Characteristics	Smooth Belt Operation
Superior Molding Characteristics	Smooth Surface Reduces Vibration

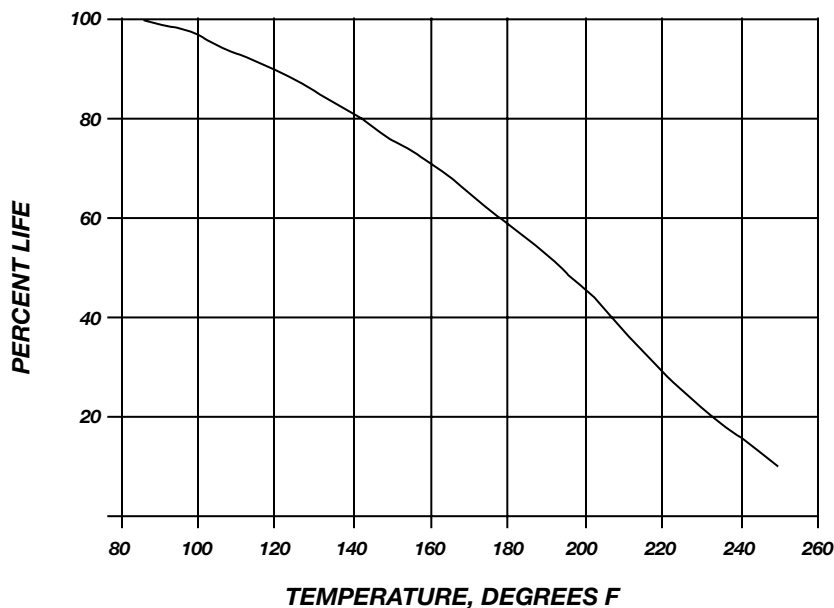
### 3. IMPREGNATED NYLON WEAR JACKET

FEATURE	BENEFIT
Durable Tooth Protection	Extends Belt Life
Minimal Drag/ Reduces Friction	Smooth Precise Operation

Synchronous Plus belts are capable of operating at temperatures of -30°F with no adverse effects.

Any time a belt is used in an elevated ambient temperature, the expected life will decrease. The relationship between ambient temperatures and belt life is shown in the chart below. As an example, at a temperature of 180°F, we would expect life to be 60% of the life that would be obtained at 85°F.

## LIFE vs TEMPERATURE



# Tolerances On Belt Length

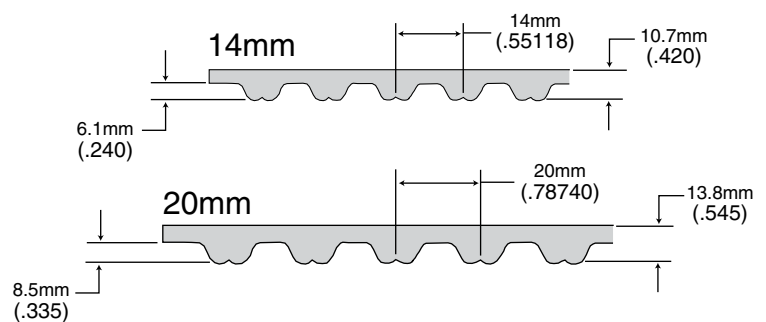
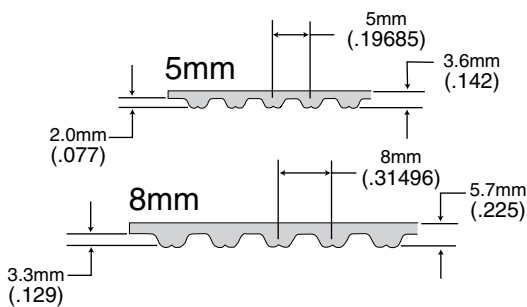
## Dimensions

Belt Length (mm)	*Std. Length Tolerances (Center-to-Center)
Over 254 to 381	±0.23
Over 381 to 508	±0.25
Over 508 to 762	±0.30
Over 762 to 1016	±0.33
Over 1016 to 1270	±0.38
Over 1270 to 1524	±0.41
Over 1524 to 1778	±0.43
Over 1778 to 2032	±0.46
Over 2032 to 2286	±0.48
Over 2286 to 2540	±0.51
Over 2540 to 2794	±0.53
Over 2794 to 3048	±0.56
Over 3048 to 3302	±0.58

Belt Length (mm)	*Std. Length Tolerances (Center-to-Center)
Over 3302 to 3556	±0.61
Over 3556 to 3810	±0.64
Over 3810 to 4064	±0.66
Over 4064 to 4318	±0.69
Over 4318 to 4572	±0.71
Over 4572 to 4826	±0.74
Over 4826 to 5080	±0.76
Over 5080 to 5534	±0.79
Over 5534 to 5588	±0.81
Over 5588 to 5842	±0.84
Over 5842 to 6096	±0.86
Over 6096 to 6350	±0.89
Over 6350 to 6604	±0.91
Over 6604 to 6860	±0.94

\*NOTE: The length tolerances given for positive drive belts refer to the center to center tolerance between belts when checked on a standard measuring fixture. The actual pitch length tolerance is twice the value shown. If a special tension member is used, consult the factory for proper length tolerances.

## BELT DIMENSIONS



## Center Distance Installation and Take-up Allowance

Pitch Length	Decrease in Center Distance for Installation		
	> 1525mm	1525-3050mm	<3050mm
5M Both Flanged	-0.8	-0.9	-
5M One Flanged	-0.6	-0.7	-
8M Both Flanged	-1.4	-1.5	-1.6
8M One Flanged	-0.9	-1.0	-1.1
14M Both Flanged	-2.3	-2.4	-2.5
14M One Flanged	-1.4	-1.5	-1.6
20M Both Flanged	-	-3.2	-3.3
20M One Flanged	-	-2.0	-2.1
(All Pitches)	Take-up in Center Distance for Installation		
	+0.1	+0.2	+0.3

# Synchronous Plus Belts

## Dimensions

### 5MM Pitch Belts

Belt Length & Pitch Code	Pitch Length		No. of Teeth	Width Code†	
				15	25
	in.	mm		.59	.98
350-5M	13.78	350	70	.05	.09
375-5M	14.76	375	75	.06	.09
400-5M	15.75	400	80	.06	.10
425-5M	16.73	425	85	.06	.10
450-5M	17.72	450	90	.07	.11
475-5M	18.70	475	95	.07	.12
500-5M	19.69	500	100	.07	.12
535-5M	21.06	535	107	.08	.13
565-5M	22.24	565	113	.08	.14
600-5M	23.62	600	120	.09	.15
635-5M	25.00	635	127	.09	.16
670-5M	26.38	670	134	.10	.16
710-5M	27.95	710	142	.10	.17
740-5M	29.13	740	148	.11	.18
800-5M	31.50	800	160	.12	.20
835-5M	32.87	835	167	.12	.20
850-5M	33.46	850	170	.12	.20
890-5M	35.04	890	178	.12	.21
950-5M	37.40	950	190	.14	.23
1000-5M	39.37	1000	200	.15	.24
1050-5M	41.34	1050	210	.15	.26
1125-5M	44.29	1125	225	.16	.27
1195-5M	47.05	1195	239	.17	.28
1270-5M	50.00	1270	254	.19	.31
1420-5M	55.91	1420	284	.21	.34
1595-5M	62.80	1595	319	.23	.39
1690-5M	66.54	1690	338	.24	.41
1790-5M	70.47	1790	358	.26	.43
1895-5M	74.61	1895	379	.28	.46
2000-5M	78.74	2000	400	.28	.47
2250-5M	88.58	2250	450	.30	.50
2525-5M	99.41	2525	505	.32	.53

### 14MM Pitch Belts

Belt Length & Pitch Code	Pitch Length		No. of Teeth	Width Code†				
				40	55	85	115	170
	in.	mm		1.57	2.17	3.35	4.53	6.69
966-14M	38.03	966	69	.84	1.15	1.78	2.41	3.56
1190-14M	46.85	1190	85	1.03	1.42	2.20	2.98	4.39
1400-14M	55.12	1400	100	1.21	1.67	2.58	3.50	5.16
1610-14M	63.39	1610	115	1.40	1.92	2.97	4.02	5.95
1778-14M	70.00	1778	127	1.54	2.13	3.28	4.45	6.56
1890-14M	74.41	1890	135	1.64	2.26	3.49	4.73	6.97
2100-14M	82.68	2100	150	1.82	2.51	3.88	5.25	7.75
2310-14M	90.94	2310	165	2.00	2.76	4.26	5.77	8.53
2450-14M	96.46	2450	175	2.13	2.93	4.52	6.13	9.04
2590-14M	101.97	2590	185	2.25	3.10	4.78	6.47	9.55
2800-14M	110.24	2800	200	2.43	3.34	5.17	7.00	10.33
3150-14M	124.02	3150	225	2.73	3.77	5.82	7.87	11.62
3360-14M	132.28	3360	240	2.58	3.98	6.14	8.31	12.26
3500-14M	137.80	3500	250	3.03	4.19	6.46	8.75	12.90
3850-14M	151.58	3850	275	3.33	4.60	7.10	9.62	14.20
4326-14M	170.32	4326	309	3.74	5.17	8.00	10.80	15.96
4578-14M	180.24	4578	327	3.96	5.48	8.45	11.42	16.90
4956-14M	195.12	4956	354	4.29	5.93	9.15	12.36	18.30
5320-14M	209.45	5320	380	4.60	6.37	9.82	13.27	19.64
5740-14M	225.98	5740	410	4.97	6.83	10.55	14.29	21.12
6160-14M	242.52	6160	440	5.33	7.33	11.32	15.34	22.67
6860-14M	270.08	6860	490	5.94	8.16	12.61	17.08	25.25

### 8MM Pitch Belts

Belt Length & Pitch Code	Pitch Length		No. of Teeth	Width Code†			
				20	30	50	85
	in.	mm		.79	1.18	1.97	3.35
480-8M	18.90	480	60	.13	.20	.34	.57
536-8M	21.10	536	67	.15	.22	.37	.64
560-8M	22.05	560	70	.16	.23	.39	.66
600-8M	23.62	600	75	.17	.25	.42	.71
640-8M	25.20	640	80	.18	.27	.45	.76
720-8M	28.35	720	90	.20	.30	.50	.85
800-8M	31.50	800	100	.22	.33	.56	.95
880-8M	34.65	880	110	.25	.37	.61	1.04
960-8M	37.80	960	120	.27	.40	.67	1.14
1040-8M	40.94	1040	130	.29	.43	.74	1.23
1120-8M	44.09	1120	140	.31	.47	.78	1.33
1200-8M	47.24	1200	150	.34	.50	.84	1.42
1224-8M	48.19	1224	153	.35	.51	.85	1.43
1280-8M	50.39	1280	160	.36	.53	.89	1.52
1440-8M	56.69	1440	180	.40	.60	1.01	1.71
1600-8M	62.99	1600	200	.45	.67	1.11	1.90
1760-8M	69.29	1760	220	.49	.73	1.23	2.08
1800-8M	70.87	1800	225	.50	.75	1.25	2.13
2000-8M	78.74	2000	250	.56	.83	1.39	2.37
2200-8M	86.61	2200	275	.62	.92	1.53	2.61
2400-8M	94.49	2400	300	.67	1.00	1.67	2.84
2600-8M	102.36	2600	325	.73	1.09	1.81	3.08
2800-8M	110.24	2800	350	.78	1.17	1.95	3.32
3048-8M	120.00	3048	381	.86	1.28	2.12	3.60
3280-8M	129.13	3280	410	.90	1.34	2.22	3.80
3600-8M	141.73	3600	450	1.00	1.50	2.50	4.26
4400-8M	173.23	4400	550	1.20	1.80	3.00	5.02

### 20MM Pitch Belts

Belt Length & Pitch Code	Pitch Length		No. of Teeth	Width Code†				
				115	170	230	290	340
	in.	mm		4.53	6.69	9.06	11.42	13.39
2000-20M	78.74	2000	100	6.0	9.0	12.0	16.0	19.0
2500-20M	98.43	2500	125	8.0	11.0	15.0	20.0	24.0
3400-20M	133.85	3400	170	11.0	16.0	22.0	27.0	32.0
3800-20M	149.60	3800	190	12.0	18.0	24.5	30.5	35.5
4200-20M	165.35	4200	210	13.0	20.0	27.0	34.0	39.0
4600-20M	181.10	4600	230	14.5	21.5	29.5	37.0	43.0
5000-20M	196.85	5000	250	16.0	23.0	32.0	40.0	47.0
5400-20M	212.60	5400	270	17.0	25.0	34.0	43.0	51.0
5800-20M	228.35	5800	290	18.0	27.0	37.0	46.0	54.0
6200-20M	244.09	6200	310	20.0	29.0	39.0	50.0	58.0
6600-20M	259.84	6600	330	21.0	31.0	42.0	53.0	62.0

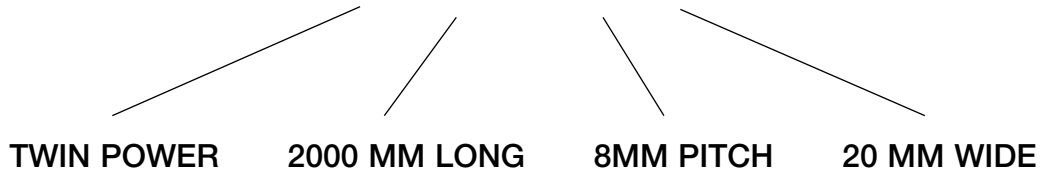
† The bold number is the belt width in millimeters, while the number directly under it is the width in inches.

#### PART NUMBER EXAMPLE:

**210014M40 SYNCHRONOUS PLUS BELT**

### Sample Belt Designation

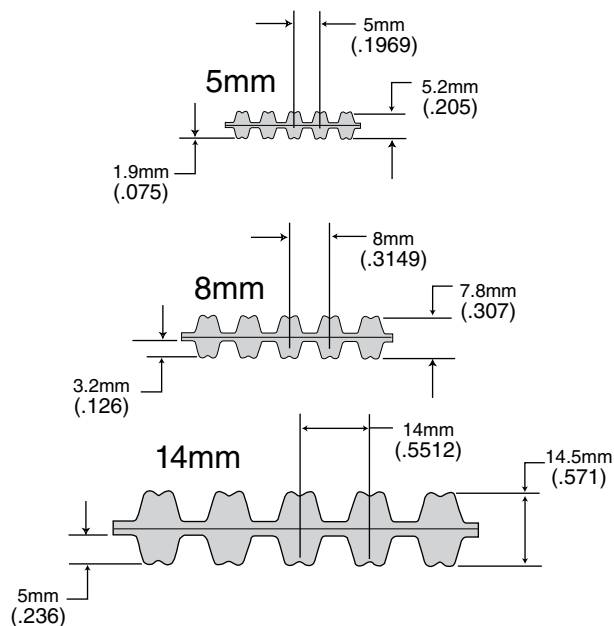
TP2000-8M-20



### TWIN POWER RATINGS

- 5M** - Same as Standard Synchronous Plus Belting
- 8M** - .66 Times Standard Synchronous Plus Belting
- 14M** - less than 5000mm Length -  
.66 Times Standard Synchronous Plus Belting
- 14M** - Over 5000mm Length -  
Same as Standard Synchronous Plus Belting
- 20M** - Not Available in Twin Power

### DIMENSIONS



Twin Power Belting is available in most lengths offered in standard single sided belts.

(ref. page C1 – 16)

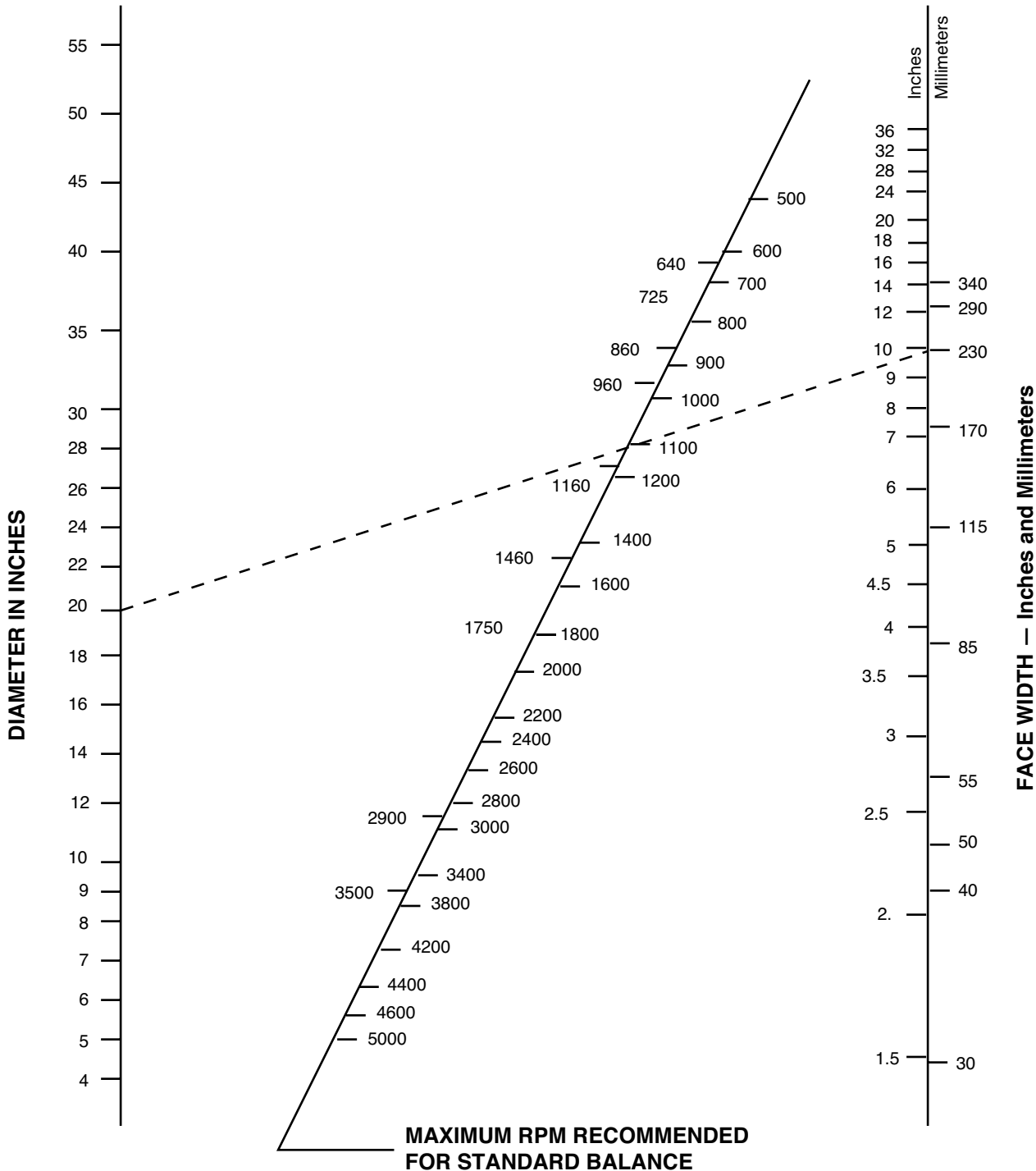
# Balancing Standards

Proper balance of rotating products is important for smooth, vibration-free operation. Standard balance of Wood's stock products is a one plane balance. Depending on the face width, outside diameter, and operating speed a higher precision balance may be required for smooth operation. In those cases a two-plane balance is suggested.

**Note: Two plane balance is for smooth operation only and DOES NOT increase the maximum safe operating speed of the product. Stock cast iron wheels may not exceed 6,550 feet per minute; and ductile iron wheels are limited to 10,000 FPM. (FPM = sheave outside diameter x RPM x .262)**

The nomograph below may be used as a guideline to determine when two-plane balance is recommended. To use this chart lay a straight-edge between the diameter of the part on the left of the chart and the face width of the part on the right. The straight edge will intersect the slanted scale in the center of the chart. When the operating speed is greater than the intersection point a two-plane balance is recommended.

**Example:** If a 20 in. diameter x 10 in. (230 mm) face width sprocket runs faster than 1100 rpm, dynamic balancing is recommended.



## Service Factors

### 1a: driveR (prime mover)

Class of driveR	Class I	Class II	Class III
<b>Momentary Peak Load, % of Rated Load</b>	<b>149%</b>	<b>150 to 249%</b>	<b>250 to 400%</b>
<b>AC Electric Motors: Single Phase</b>			all
<b>Squirrel Cage</b> NEMA design A 3600 rpm 1800 rpm 1200 rpm 900 rpm	40 HP up 100 HP up 15 HP up 5 HP up	1-1/2 thru 30 HP 5 thru 75 HP 3/4 thru 10 HP 1/2 thru 3 HP	1 thru 3 HP
NEMA design B 3600 rpm 1800 rpm 1200 rpm 900 rpm		5 HP up 5 HP up 5 HP up 2 HP up	1-1/2 thru 3 HP 1 thru 3 HP 3/4 thru 3 HP 1-1/2 thru 1-1/2 HP
NEMA design C 1800 rpm 1200 rpm 900 rpm		15 HP up 7-1/2 HP up all	5 thru 10 HP 3 and 5 HP
NEMA design D			all
NEMA design F	all		
<b>Wound Rotor</b> 1800 rpm 1200 rpm 900 rpm		20 HP 15 HP 7-1/2 HP	2 to 15 HP 2 to 10 HP 1 to 5 HP
<b>Synchronous</b>		normal torque	high torque
<b>DC Electric Motors</b>	shunt	compound	series
<b>Engines</b> —int combust	8 cyl up	6 cyl	4 cyl or less
<b>Hydraulic Motors, Line Shafts</b>			all

### 1c: Additional Service Factors

Operating Conditions	
Intermittent or seasonal	Sub 0.1
Add for 10–16 hr service	Add 0.2
Add for 16–24 hr service	Add 0.4
Add for each idler	Add 0.2

### Speed-up Drives

For speed-up drives, add to the basic service factor the additional factor given below.

Speed-up Ratio Range	Additional Factor	Speed-up Ratio Range	Additional Factor
1 to 1.24	none	2.50 to 3.49	.30
1.25 to 1.74	.10	3.50 & over	.40
1.75 to 2.49	.20		

### Unusual Conditions

Additional service factors are required for unusual conditions — such as load reversal, heavy shock, plugged motor stop, electric brake. These should be determined by a transmission specialist.

### 1b: Basic Service Factors of driveN Machines

driveN Machines	Class I	Class II	Class III
<b>Agitators, Mixers</b> liquid (paddle or propeller) semi-liquid	1.2 1.3	1.4 1.5	1.6 1.7
<b>Bakery Machinery, Dough Mixers</b>	1.2	1.4	1.6
<b>Brick and Clay Machinery</b> augers, mixers, granulators pug mills	1.4 1.6	1.6 1.8	1.8 2.0
<b>Centrifuges</b>	1.5	1.7	-
<b>Compressors</b> reciprocating* centrifugal	1.6 1.4	1.8 1.5	2.0 1.6
<b>Conveyors</b> belt, light package; oven belt: ore, coal, sand apron, bucket, elevator, pan flight, screw	1.1 1.2 1.4 1.4	1.2 1.4 1.6 1.6	1.3 1.6 1.8 1.8
<b>Fans, blowers</b> Centrifugal, induced draft exhausters propeller, mine fans, positive blowers	1.4 1.6	1.6 1.8	1.8 2.0
<b>Generators and Exciters</b>	1.4	1.6	1.8
<b>Hammer Mills</b>	1.5	1.7	1.9
<b>Hoists, Elevators</b>	1.4	1.6	1.8
<b>Laundry Machinery</b> general extractors, washers	1.2 1.4	1.4 1.6	1.6 1.8
<b>Line Shafts</b>	1.2	1.4	1.6
<b>Machine Tools</b> drill presses, lathes, screw machines boring mills, grinders milling machines, shapers	1.2 1.3 1.3	1.4 1.5 1.5	1.6 1.7 1.7
<b>Mills</b> ball, rod, pebble, etc	-	1.9	2.1
<b>Paper Machinery</b> agitators, calenders, dryers beaters, jordans, Nash pumps, pulpers	1.2 1.4	1.4 1.6	1.6 1.8
<b>Printing Machinery</b> presses: newspaper, rotary, embossing, flat bed, magazine; linotype machines; cutters; folders	1.2	1.4	1.6
<b>Pumps</b> centrifugal, gear, rotary, pipeline reciprocating*	1.2 1.7	1.4 1.9	1.6 2.1
<b>Rubber Plant Machinery</b>	1.4	1.6	1.8
<b>Saw Mill Machinery</b>	1.4	1.6	1.8
<b>Screens</b> vibrating (shakers) drum, conical	1.3 1.2	1.5 1.4	- -
<b>Textile Machinery</b> looms, spinning frames, twisters warpers, reels	1.3 1.2	1.5 1.4	1.7 -
<b>Woodworking Machinery</b> lathes, band saws jointer, circular saws, planers	1.2 1.2	1.3 1.4	- -

\* Note: When the driveN sprocket is used as a flywheel to reduce speed fluctuations a specially constructed sprocket may be required. Obtain the WR<sup>2</sup> of the unit and consult TB Wood's Engineering.



# Pitch Selection

## Chart

### RPM OF FASTEST SHAFT

	1160	1750	3500	100	200	300	400	500	600	800	1000	1400	1600	2000	2400	2800	3200	4000	
MOTOR HORSEPOWER	0.5	5M	5M	5M	5M	5M	5M	5M	5M	5M	5M	5M	5M	5M	5M	5M	5M	5M	5M
	1	5M	5M	5M	8M	5M	5M	5M	5M	5M	5M	5M	5M	5M	5M	5M	5M	5M	5M
	1.5	5M	5M	5M	8M	8M	5M	5M	5M	5M	5M	5M	5M	5M	5M	5M	5M	5M	5M
	2	5M	5M	5M	8M	8M	8M	5M	5M	5M	5M	5M	5M	5M	5M	5M	5M	5M	5M
	3	5M	5M	5M	8M	8M	8M	8M	8M	8M	5M	5M	5M	5M	5M	5M	5M	5M	5M
	5	8M	5M	5M	8M	8M	8M	8M	8M	8M	8M	5M	5M	5M	5M	5M	5M	5M	5M
	7.5	8M	8M	5M	8M	8M	8M	8M	8M	8M	8M	8M	8M	8M	8M	8M	8M	8M	5M
	10	8M	8M	8M	14M	8M	8M	8M	8M	8M	8M	8M	8M	8M	8M	8M	8M	8M	8M
	15	8M	8M	8M	14M	8M	8M	8M	8M	8M	8M	8M	8M	8M	8M	8M	8M	8M	8M
	20	8M	8M	8M	14M	14M	8M	8M	8M	8M	8M	8M	8M	8M	8M	8M	8M	8M	8M
	25	8M	8M	8M	14M	14M	14M	8M	8M	8M	8M	8M	8M	8M	8M	8M	8M	8M	8M
	30	8M	8M	8M	14M	14M	14M	14M	8M	8M	8M	8M	8M	8M	8M	8M	8M	8M	8M
	40	8M	8M	8M	14M	14M	14M	14M	14M	8M	8M	8M	8M	8M	8M	8M	8M	8M	8M
	50	8M	8M	8M	14M	14M	14M	14M	14M	8M	8M	8M	8M	8M	8M	8M	8M	8M	8M
	60	8M	8M	8M	20M	14M	14M	14M	14M	14M	14M	8M	8M	8M	8M	8M	8M	8M	8M
	75	14M	8M	8M	20M	14M	14M	14M	14M	14M	14M	8M	8M	8M	8M	8M	8M	8M	8M
	100	14M	14M	8M	20M	14M	14M	14M	14M	14M	14M	14M	14M	8M	8M	8M	8M	8M	8M
	125	14M	14M	14M	20M	20M	14M	14M	14M	14M	14M	14M	14M	14M	14M	14M	14M	14M	
	150	14M	14M	14M	20M	20M	14M	14M	14M	14M	14M	14M	14M	14M	14M	14M	14M	14M	
	200	14M	14M	14M		20M	20M	20M	14M	14M	14M	14M	14M	14M	14M	14M	14M	14M	
	250	14M	14M			20M	20M	20M	20M	14M	14M	14M	14M	14M					
	300	14M	20M			20M	20M	20M	20M	20M	14M	14M	14M						
	350	20M	20M				20M	20M	20M	20M	20M	20M	20M						
	400	20M	20M				20M	20M	20M	20M	20M	20M	20M						
	500	20M	20M				20M	20M	20M	20M	20M	20M	20M						
	600	20M	20M					20M	20M	20M	20M	20M	20M						
	700	20M	20M						20M	20M	20M	20M	20M						
	800									20M	20M	20M	20M						
	900										20M	20M	20M						

### Minimum Recommended Sprocket Pitch Diameters for General Purpose Electric Motors Synchronous Belts

Motor Horsepower	Motor RPM (60 Cycle and 50 Cycle Electric Motors)					
	575 485*	690 575*	870 725*	1160 950*	1750 1425*	3450 2850*
1/2	-	-	2.0	-	-	-
3/4	-	-	2.2	2.0	-	-
1	2.7	2.3	2.2	2.2	2.0	-
1 1/2	2.7	2.7	2.2	2.2	2.2	2.0
2	3.4	2.7	2.7	2.2	2.2	2.2
3	4.1	3.4	2.7	2.7	2.2	2.2
5	4.1	4.1	3.4	2.7	2.7	2.2
7 1/2	4.7	4.1	4.0	3.4	2.7	2.7
10	5.4	4.7	4.0	4.0	3.4	2.7
15	6.1	5.4	4.7	4.0	4.0	3.4
20	7.4	6.1	5.4	4.7	4.0	4.0
25	8.1	7.4	6.1	5.4	4.0	4.0
30	9.0	8.1	6.1	6.1	4.7	-
40	9.0	9.0	7.4	6.1	5.4	-
50	9.9	9.0	7.6	7.4	6.1	-
60	10.8	9.9	9.0	7.2	6.7	-
75	12.6	11.7	8.6	9.0	7.7	-
100	16.2	13.5	10.8	9.0	7.7	-
125	18.0	16.2	13.5	10.8	9.5#	-
150	19.8	18.0	16.2	11.7	9.5	-
200	19.8	19.8	19.8	-	11.9	-
250	19.8	19.8	-	-	-	-
300	24.3	24.3	-	-	-	-

\* Indicates 50 cycle RPM electric motors. # Frame 444T use 8.6.  
Data in the white area is from NEMA Standards MG-1-14-42 of June 1972 and MG-1-14-43 of January 1968. The data in the shaded area is a composite of various motor manufacturers data. They are usually conservative, and a smaller sprocket may be permitted. Consult the motor manufacturer data.

- BELT LENGTH =  $2 \times C + 1.57 \times (D + d) + [(D - d)^2 / (4 \times C)]$
- †CENTER DISTANCE =  $1/2 \times [A - h \times (D - d)]$

WHERE:

C = Center Distance (in.)<sup>†</sup>      D = P.D. of larger sprocket (in.)  
 L = Belt Length (in.)              d = P.D. of smaller sprocket (in.)  
 A =  $L - 1.57 \times (D + d)$           h = Factor from chart below

D - d A	h	D - d A	h	D - d A	h	D - d A	h
0.00	0.00	0.16	0.08	0.30	0.16	0.43	0.24
0.02	0.01	0.18	0.09	0.32	0.17	0.44	0.25
0.04	0.02	0.20	0.10	0.34	0.18	0.46	0.26
0.06	0.03	0.21	0.11	0.35	0.19	0.47	0.27
0.08	0.04	0.23	0.12	0.37	0.20	0.48	0.28
0.10	0.05	0.25	0.13	0.39	0.21	0.50	0.29
0.12	0.06	0.27	0.14	0.40	0.22	0.51	0.30
0.14	0.07	0.29	0.15	0.41	0.23	-	-

<sup>†</sup>Center distances must be fixed and rigid.

# Synchronous Plus

## Drive Selection

### Standard Motor Speed - Reduction or 1:1 Ratio Drives

Example: A 75 HP 1160 RPM NEMA B motor is driving a liquid material agitator operating at 900 RPM, 24 hours a day. Motor shaft is 2-7/8" diameter, agitator shaft is 2-3/4", center distance is 44".

Procedure	Example																		
<b>Step #1: Calculate the Design Horsepower</b> DHP = DriveR HP x service factor (page C1-19)	Service factor liquid agitator = 1.4 Adder for 16-24 hours/day = .4 DHP = 75 HP x 1.8 sf = 135																		
<b>Step #2: Choose the Belt Pitch</b> Belt Pitch Selection Guide (page C1-20)	75 HP and 1160 RPM indicates the use of 14M pitch																		
<b>Step #3: Check NEMA recommended minimum sprocket pitch diameter</b> (page C1-21)	NEMA minimum for a 75 HP 1160 RPM motor 9.0" diameter sprocket																		
<b>Step #4: Calculate Speed Ratio</b> Speed Ratio = Faster RPM / Slower RPM	Speed ratio = 1160 RPM / 900 RPM = 1.29																		
<b>Step #5: In the Drive Selection Tables corresponding to the correct belt pitch, locate the drive line with the same ratio. In the event of multiple drive lines, drives using larger diameters are usually more economical.</b>	Drive lines 68, 69, and 70 all are 1.29 ratio. Line 68 and 70: The driver is below NEMA recommended. Use drive line 69.																		
<b>Step #6: Note the following information from the drive line:</b> <b>Number teeth DriveR</b> <b>Number teeth DriveN</b> <b>Actual RPM</b> - Under corresponding motor RPM <b>Raw HP for belt width</b> - Under corresponding motor RPM (When considering belt width, refer to design HP calculation) <b>Select the desired CD</b> - To the right of the RPM and HP <b>Belt Length Factor</b> - Shaded above the CD <b>Belt Length</b> - Column header above the CD	From Line 69 Number teeth DriveR = 56 Number teeth DriveN = 72 DriveN speed @ 902 when DriveR @ 1160 RPM Step #1 the DHP is 135, 85 mm wide = 151.4 HP CD = 44.35" Belt length factor = 1.05 Belt length = 3150																		
<b>Step #7: Calculate the Corrected HP for the Drive</b> CHP = Raw HP x Belt Length Factor Compare the CHP to the DHP and pick the belt width	85mm wide – CHP = 151.4 x 1.05 = 158.97 85mm meets our DHP and is the belt to use.																		
<b>Step #8: Check the Dynamic Balance recommendations</b> Reference Chart (page C1-18)	OK as standard: P56-14M-85 static balance OK as standard: P72-14M-85 static balance																		
<b>Step #9: Specify drive components</b> Reference component dimensional page for Product Number	<table border="1"> <thead> <tr> <th>Item</th> <th>Product No.</th> <th>Ref. Page</th> </tr> </thead> <tbody> <tr> <td>DR Sprocket: P56-14M-85</td> <td>P5614M85</td> <td>C1-7</td> </tr> <tr> <td>DR Bushing: F x 2-7/8"</td> <td>F278</td> <td>A1-5</td> </tr> <tr> <td>DN Sprocket: P72-14M-85</td> <td>P7214M85</td> <td>C1-7</td> </tr> <tr> <td>DN Bushing: F x 2-3/4"</td> <td>F234</td> <td>A1-5</td> </tr> <tr> <td>Belt: 3150-14M-85</td> <td>315014M85</td> <td>C1-16</td> </tr> </tbody> </table>	Item	Product No.	Ref. Page	DR Sprocket: P56-14M-85	P5614M85	C1-7	DR Bushing: F x 2-7/8"	F278	A1-5	DN Sprocket: P72-14M-85	P7214M85	C1-7	DN Bushing: F x 2-3/4"	F234	A1-5	Belt: 3150-14M-85	315014M85	C1-16
Item	Product No.	Ref. Page																	
DR Sprocket: P56-14M-85	P5614M85	C1-7																	
DR Bushing: F x 2-7/8"	F278	A1-5																	
DN Sprocket: P72-14M-85	P7214M85	C1-7																	
DN Bushing: F x 2-3/4"	F234	A1-5																	
Belt: 3150-14M-85	315014M85	C1-16																	

### Speeds Other than Common Motor Speeds and Speed-up Applications

Example: A 20 HP 1750 RPM NEMA B motor C-face mounted to a 15 : 1 gear reducer with an output of 117 RPM is driving an ore belt conveyor operating at 130 RPM, 15 hours a day.  
 Reducer shaft is 3" diameter, mixer shaft is 3-1/4", approximate center distance is 40".

Procedure	Example																							
<b>Step #1: Calculate the Design Horsepower</b> DHP = DriveR HP x service factor (page C1-19)	Service factor ore belt conveyor = 1.4 Add .2 for 15 hours a day Adder for 1.11 ratio speed-up = none DHP = 20 HP x 1.6 sf = 32																							
<b>Step #2: Choose the Belt Pitch</b> Belt Pitch Selection Guide (page C1-20)	20 HP and 117 RPM indicates the use of 14M pitch																							
<b>Step #3: Check NEMA recommended minimum sprocket pitch diameter</b> (page C1-21)	Does not apply – Driver not a NEMA motor Driver shaft – Reducer																							
<b>Step #4: Calculate Speed Ratio</b> Speed Ratio = Faster RPM / Slower RPM	Speed ratio = 130 RPM / 117 RPM = 1.11																							
<b>Step #5: In the Drive Selection Tables corresponding to the correct belt pitch, locate the drive line with the same ratio. In the event of multiple drive lines, drives using larger diameters are usually more economical.</b>	Drive lines 35 & 36 are both 1.11 ratio Using the guideline of larger diameter being more economical, use line 36.																							
<b>Step #6: Note the following information from the drive line:</b> Number teeth DriveR Number teeth DriveN Select the desired CD - To the right of the RPM and HP Belt Length Factor - Shaded above the CD Belt Length - Column header above the CD	From Line 36 Number teeth DriveR = 80 Number teeth DriveN = 72 CD = 41.06" Belt length factor = 1.05 Belt length = 3150																							
<b>Step #7: In the HP Rating Tables, following the Drive Selection Tables, locate the proper charts for the belt pitch in use. Locate the number of teeth on the smallest sprocket at the top of the chart and its speed along the left side. At the intersection of these lines will be located the Raw HP of the drive.</b> (When considering belt width refer to design HP calculation)	Smallest sprocket = 72 tooth Fastest RPM = 130 Step #1 Design HP = 32 HP can be interpolated between 100 and 200 RPM 55mm wide = approximately 24.1 HP 85mm wide = approximately 38.9 HP																							
<b>Step #8: Calculate the Corrected HP for the Drive</b> CHP = Raw HP x Belt Length Factor Compare the CHP to the DHP and pick the belt width	55mm wide – CHP = 24.1 x 1.05 = 25.3 85mm wide – CHP = 38.9 x 1.05 = 40.8 85mm meets our DHP and is the belt to use																							
<b>Step #9: Check the Dynamic Balance recommendations</b> Reference Chart (page C1-18)	OK as standard: P80-14M-85 static balance OK as standard: P72-14M-85 static balance																							
<b>Step #10: Specify drive components</b> Reference component dimensional page for Product Number	<table border="1"> <thead> <tr> <th>Item</th> <th>Product No.</th> <th>Ref. Page</th> </tr> </thead> <tbody> <tr> <td>DR Sprocket:</td> <td>P80-14M-85</td> <td>P8014M85</td> <td>C1-7</td> </tr> <tr> <td>DR Bushing:</td> <td>F x 3"</td> <td>F3</td> <td>A1-5</td> </tr> <tr> <td>DN Sprocket:</td> <td>P72-14M-85</td> <td>P7214M85</td> <td>C1-7</td> </tr> <tr> <td>DN Bushing:</td> <td>F x 3-1/4"</td> <td>F314</td> <td>A1-5</td> </tr> <tr> <td>Belt:</td> <td>3150-14M-85</td> <td>315014M85</td> <td>C1-16</td> </tr> </tbody> </table>	Item	Product No.	Ref. Page	DR Sprocket:	P80-14M-85	P8014M85	C1-7	DR Bushing:	F x 3"	F3	A1-5	DN Sprocket:	P72-14M-85	P7214M85	C1-7	DN Bushing:	F x 3-1/4"	F314	A1-5	Belt:	3150-14M-85	315014M85	C1-16
Item	Product No.	Ref. Page																						
DR Sprocket:	P80-14M-85	P8014M85	C1-7																					
DR Bushing:	F x 3"	F3	A1-5																					
DN Sprocket:	P72-14M-85	P7214M85	C1-7																					
DN Bushing:	F x 3-1/4"	F314	A1-5																					
Belt:	3150-14M-85	315014M85	C1-16																					

# Synchronous Plus Drive 5M

## Selection Tables

Line No.	Drive Ratio	Sprocket Combination				1160 RPM DriveR			1750 RPM DriveR			3350 RPM DriveR							
		DRIVER		DRIVEN		DN RPM	Horsepower		DN RPM	Horsepower		DN RPM	Horsepower		350	375	400	425	
		Teeth	PD (in)	Teeth	PD (in)		15MM	25MM		15MM	25MM		15MM	25MM					
Multiply Horsepower Listed by Length Correction Factor to Find Horsepower Rating →																			
1	1.00	32	2.005	32	2.005	1160	1.82	3.26	1750	2.61	4.67	3550	4.77	8.54	3.74	4.23	4.72	5.22	
2	1.00	34	2.130	34	2.130	1160	1.98	3.54	1750	2.84	5.09	3550	5.24	9.37	3.54	4.04	4.53	5.02	
3	1.00	36	2.256	36	2.256	1160	2.13	3.81	1750	3.07	5.50	3550	5.69	10.19	3.35	3.84	4.33	4.82	
4	1.00	38	2.381	38	2.381	1160	2.28	4.09	1750	3.30	5.91	3550	6.15	11.00	3.15	3.64	4.13	4.63	
5	1.00	40	2.506	40	2.506	1160	2.43	4.36	1750	3.53	6.32	3550	6.59	11.80	2.95	3.44	3.94	4.43	
6	1.00	44	2.757	44	2.757	1160	2.73	4.89	1750	3.97	7.12	3550	7.46	13.36	-	-	3.54	4.04	
7	1.00	48	3.008	48	3.008	1160	3.02	5.41	1750	4.41	7.90	3550	8.30	14.87	-	-	-	3.64	
8	1.00	52	3.258	52	3.258	1160	3.31	5.92	1750	4.84	8.66	3550	9.12	16.33	-	-	-	-	
9	1.00	56	3.509	56	3.509	1160	3.59	6.42	1750	5.25	9.40	3550	9.91	17.73	-	-	-	-	
10	1.00	60	3.760	60	3.760	1160	3.86	6.91	1750	5.66	10.13	3550	10.66	19.09	-	-	-	-	
11	1.00	64	4.010	64	4.010	1160	4.13	7.38	1750	6.05	10.83	3550	11.39	20.39	-	-	-	-	
12	1.00	68	4.261	68	4.261	1160	4.38	7.85	1750	6.44	11.52	3550	12.09	21.64	-	-	-	-	
13	1.00	72	4.511	72	4.511	1160	4.64	8.30	1750	6.81	12.19	3550	12.75	22.83	-	-	-	-	
14	1.05	38	2.381	40	2.506	1102	2.28	4.09	1662	3.30	5.91	3372	6.15	11.00	3.05	3.54	4.03	4.53	
15	1.06	36	2.256	38	2.381	1099	2.13	3.81	1658	3.07	5.50	3363	5.69	10.19	3.25	3.74	4.23	4.72	
16	1.06	34	2.130	36	2.256	1096	1.98	3.54	1653	2.84	5.09	3353	5.24	9.37	3.44	3.94	4.43	4.92	
17	1.06	68	4.261	72	4.511	1096	4.38	7.85	1653	6.44	11.52	3353	12.09	21.64	-	-	-	-	
18	1.06	32	2.005	34	2.130	1092	1.82	3.26	1647	2.61	4.67	3341	4.77	8.54	3.64	4.13	4.63	5.12	
19	1.06	64	4.010	68	4.261	1092	4.13	7.38	1647	6.05	10.83	3341	11.39	20.39	-	-	-	-	
20	1.07	60	3.760	64	4.010	1088	3.86	6.91	1641	5.66	10.13	3328	10.66	19.09	-	-	-	-	
21	1.07	56	3.509	60	3.760	1083	3.59	6.42	1633	5.25	9.40	3313	9.91	17.73	-	-	-	-	
22	1.08	52	3.258	56	3.509	1077	3.31	5.92	1625	4.84	8.66	3296	9.12	16.33	-	-	-	-	
23	1.08	48	3.008	52	3.258	1071	3.02	5.41	1615	4.41	7.90	3277	8.30	14.87	-	-	-	-	
24	1.09	44	2.757	48	3.008	1063	2.73	4.89	1604	3.97	7.12	3254	7.46	13.36	-	-	3.34	3.84	
25	1.10	40	2.506	44	2.757	1055	2.43	4.36	1591	3.53	6.32	3227	6.59	11.80	-	3.25	3.74	4.23	
26	1.11	36	2.256	40	2.506	1044	2.13	3.81	1575	3.07	5.50	3195	5.69	10.19	3.15	3.64	4.13	4.62	
27	1.11	72	4.511	80	5.013	1044	4.64	8.30	1575	6.81	12.19	3195	12.75	22.83	-	-	-	-	
28	1.12	34	2.130	38	2.381	1038	1.98	3.54	1566	2.84	5.09	3176	5.24	9.37	3.34	3.84	4.33	4.82	
29	1.13	32	2.005	36	2.256	1031	1.82	3.26	1556	2.61	4.67	3156	4.77	8.54	3.54	4.03	4.53	5.02	
30	1.13	64	4.010	72	4.511	1031	4.13	7.38	1556	6.05	10.83	3156	11.39	20.39	-	-	-	-	
31	1.13	60	3.760	68	4.261	1024	3.86	6.91	1544	5.66	10.13	3132	10.66	19.09	-	-	-	-	
32	1.14	56	3.509	64	4.010	1015	3.59	6.42	1531	5.25	9.40	3106	9.91	17.73	-	-	-	-	
33	1.15	52	3.258	60	3.760	1005	3.31	5.92	1517	4.84	8.66	3077	9.12	16.33	-	-	-	-	
34	1.16	38	2.381	44	2.757	1002	2.28	4.09	1511	3.30	5.91	3066	6.15	11.00	-	3.34	3.83	4.33	
35	1.17	48	3.008	56	3.509	994	3.02	5.41	1500	4.41	7.90	3043	8.30	14.87	-	-	-	-	
36	1.18	34	2.130	40	2.506	986	1.98	3.54	1488	2.84	5.09	3018	5.24	9.37	3.24	3.74	4.23	4.72	
37	1.18	68	4.261	80	5.013	986	4.38	7.85	1488	6.44	11.52	3018	12.09	21.64	-	-	-	-	
38	1.18	44	2.757	52	3.258	982	2.73	4.89	1481	3.97	7.12	3004	7.46	13.36	-	-	-	3.63	
39	1.19	32	2.005	38	2.381	977	1.82	3.26	1474	2.61	4.67	2989	4.77	8.54	3.44	3.93	4.43	4.92	
40	1.20	40	2.506	48	3.008	967	2.43	4.36	1458	3.53	6.32	2958	6.59	11.80	-	-	3.53	4.03	
41	1.20	60	3.760	72	4.511	967	3.86	6.91	1458	5.66	10.13	2958	10.66	19.09	-	-	-	-	
42	1.21	56	3.509	68	4.261	955	3.59	6.42	1441	5.25	9.40	2924	9.91	17.73	-	-	-	-	
43	1.22	36	2.256	44	2.757	949	2.13	3.81	1432	3.07	5.50	2905	5.69	10.19	2.94	3.44	3.93	4.42	
44	1.23	52	3.258	64	4.010	942	3.31	5.92	1422	4.84	8.66	2884	9.12	16.33	-	-	-	-	
45	1.25	32	2.005	40	2.506	928	1.82	3.26	1400	2.61	4.67	2840	4.77	8.54	3.34	3.83	4.32	4.82	
46	1.25	48	3.008	60	3.760	928	3.02	5.41	1400	4.41	7.90	2840	8.30	14.87	-	-	-	-	
47	1.25	64	4.010	80	5.013	928	4.13	7.38	1400	6.05	10.83	2840	11.39	20.39	-	-	-	-	
48	1.25	72	4.511	90	5.639	928	4.64	8.30	1400	6.81	12.19	2840	12.75	22.83	-	-	-	-	
49	1.26	38	2.381	48	3.008	918	2.28	4.09	1385	3.30	5.91	2810	6.15	11.00	-	3.13	3.63	4.12	
50	1.27	44	2.757	56	3.509	911	2.73	4.89	1375	3.97	7.12	2789	7.46	13.36	-	-	-	-	
Multiply Horsepower Listed by Length Correction Factor to Find Horsepower Rating →																			
																<b>0.80</b>	<b>0.80</b>	<b>0.80</b>	<b>0.80</b>

# Synchronous Plus Drive 5M

## Selection Tables

CENTER DISTANCE																			Line No.
BELT LENGTH - Length Correction Factor																			
450	475	500	535	565	600	635	670	710	740	800	850	890	950	1000	1050	1125	1195	1270	
0.90	0.90	0.90	0.90	1.00	1.00	1.00	1.00	1.00	1.00	1.00	1.10	1.10	1.10	1.10	1.10	1.20	1.20	1.20	
5.71	6.20	6.69	7.38	7.97	8.66	9.35	10.04	10.83	11.42	12.60	13.58	14.37	15.55	16.54	17.52	19.00	20.37	21.85	1
5.51	6.00	6.50	7.19	7.78	8.46	9.15	9.84	10.63	11.22	12.40	13.39	14.17	15.35	16.34	17.32	18.80	20.18	21.65	2
5.31	5.81	6.30	6.99	7.58	8.27	8.96	9.65	10.43	11.02	12.20	13.19	13.98	15.16	16.14	17.13	18.60	19.98	21.46	3
5.12	5.61	6.10	6.79	7.38	8.07	8.76	9.45	10.24	10.83	12.01	12.99	13.78	14.96	15.94	16.93	18.41	19.78	21.26	4
4.92	5.41	5.91	6.59	7.19	7.87	8.56	9.25	10.04	10.63	11.81	12.80	13.58	14.76	15.75	16.73	18.21	19.59	21.06	5
4.53	5.02	5.51	6.20	6.79	7.48	8.17	8.86	9.65	10.24	11.42	12.40	13.19	14.37	15.35	16.34	17.81	19.19	20.67	6
4.13	4.63	5.12	5.81	6.40	7.09	7.78	8.46	9.25	9.84	11.02	12.01	12.80	13.98	14.96	15.94	17.42	18.80	20.28	7
3.74	4.23	4.72	5.41	6.00	6.69	7.38	8.07	8.86	9.45	10.63	11.61	12.40	13.58	14.57	15.55	17.03	18.41	19.88	8
-	-	4.33	5.02	5.61	6.30	6.99	7.68	8.46	9.06	10.24	11.22	12.01	13.19	14.17	15.16	16.63	18.01	19.49	9
-	-	-	4.63	5.22	5.91	6.59	7.28	8.07	8.66	9.84	10.83	11.61	12.80	13.78	14.76	16.24	17.62	19.09	10
-	-	-	-	4.82	5.51	6.20	6.89	7.68	8.27	9.45	10.43	11.22	12.40	13.39	14.37	15.85	17.22	18.70	11
-	-	-	-	-	5.12	5.81	6.50	7.28	7.87	9.06	10.04	10.83	12.01	12.99	13.98	15.45	16.83	18.31	12
-	-	-	-	-	-	5.41	6.10	6.89	7.48	8.66	9.65	10.43	11.61	12.60	13.58	15.06	16.44	17.91	13
5.02	5.51	6.00	6.69	7.28	7.97	8.66	9.35	10.14	10.73	11.91	12.89	13.68	14.86	15.85	16.83	18.31	19.68	21.16	14
5.22	5.71	6.20	6.89	7.48	8.17	8.86	9.55	10.33	10.93	12.11	13.09	13.88	15.06	16.04	17.03	18.50	19.88	21.36	15
5.41	5.91	6.40	7.09	7.68	8.37	9.05	9.74	10.53	11.12	12.30	13.29	14.07	15.26	16.24	17.22	18.70	20.08	21.56	16
-	-	-	-	-	4.92	5.61	6.30	7.09	7.68	8.86	9.84	10.63	11.81	12.79	13.78	15.26	16.63	18.11	17
5.61	6.10	6.59	7.28	7.87	8.56	9.25	9.94	10.73	11.32	12.50	13.48	14.27	15.45	16.44	17.42	18.90	20.28	21.75	18
-	-	-	-	4.62	5.31	6.00	6.69	7.48	8.07	9.25	10.24	11.02	12.20	13.19	14.17	15.65	17.03	18.50	19
-	-	-	4.43	5.02	5.71	6.40	7.09	7.87	8.46	9.64	10.63	11.42	12.60	13.58	14.57	16.04	17.42	18.90	20
-	-	4.13	4.82	5.41	6.10	6.79	7.48	8.27	8.86	10.04	11.02	11.81	12.99	13.98	14.96	16.44	17.81	19.29	21
-	4.03	4.53	5.22	5.81	6.49	7.18	7.87	8.66	9.25	10.43	11.42	12.20	13.39	14.37	15.35	16.83	18.21	19.68	22
3.93	4.43	4.92	5.61	6.20	6.89	7.58	8.27	9.05	9.64	10.83	11.81	12.60	13.78	14.76	15.75	17.22	18.60	20.08	23
4.33	4.82	5.31	6.00	6.59	7.28	7.97	8.66	9.45	10.04	11.22	12.20	12.99	14.17	15.16	16.14	17.62	19.00	20.47	24
4.72	5.22	5.71	6.40	6.99	7.68	8.37	9.05	9.84	10.43	11.61	12.60	13.39	14.57	15.55	16.53	18.01	19.39	20.87	25
5.12	5.61	6.10	6.79	7.38	8.07	8.76	9.45	10.24	10.83	12.01	12.99	13.78	14.96	15.94	16.93	18.41	19.78	21.26	26
-	-	-	-	-	-	-	5.70	6.49	7.08	8.26	9.25	10.04	11.22	12.20	13.19	14.66	16.04	17.52	27
5.31	5.81	6.30	6.99	7.58	8.27	8.96	9.64	10.43	11.02	12.20	13.19	13.98	15.16	16.14	17.13	18.60	19.98	21.46	28
5.51	6.00	6.49	7.18	7.77	8.46	9.15	9.84	10.63	11.22	12.40	13.39	14.17	15.35	16.34	17.32	18.80	20.18	21.65	29
-	-	-	-	-	5.11	5.80	6.49	7.28	7.87	9.05	10.04	10.82	12.01	12.99	13.97	15.45	16.83	18.31	30
-	-	-	-	4.82	5.51	6.20	6.89	7.67	8.26	9.45	10.43	11.22	12.40	13.38	14.37	15.84	17.22	18.70	31
-	-	-	4.62	5.21	5.90	6.59	7.28	8.07	8.66	9.84	10.82	11.61	12.79	13.78	14.76	16.24	17.62	19.09	32
-	-	4.32	5.01	5.60	6.29	6.98	7.67	8.46	9.05	10.23	11.22	12.01	13.19	14.17	15.16	16.63	18.01	19.49	33
4.82	5.31	5.80	6.49	7.08	7.77	8.46	9.15	9.94	10.53	11.71	12.70	13.48	14.66	15.65	16.63	18.11	19.49	20.96	34
3.73	4.22	4.72	5.41	6.00	6.69	7.38	8.07	8.85	9.45	10.63	11.61	12.40	13.58	14.56	15.55	17.03	18.40	19.88	35
5.21	5.71	6.20	6.89	7.48	8.17	8.86	9.55	10.33	10.92	12.10	13.09	13.88	15.06	16.04	17.03	18.50	19.88	21.36	36
-	-	-	-	-	-	5.20	5.89	6.68	7.27	8.46	9.44	10.23	11.41	12.40	13.38	14.86	16.24	17.71	37
4.13	4.62	5.11	5.80	6.39	7.08	7.77	8.46	9.25	9.84	11.02	12.01	12.79	13.97	14.96	15.94	17.42	18.80	20.27	38
5.41	5.90	6.39	7.08	7.67	8.36	9.05	9.74	10.53	11.12	12.30	13.29	14.07	15.25	16.24	17.22	18.70	20.08	21.55	39
4.52	5.01	5.51	6.20	6.79	7.48	8.17	8.85	9.64	10.23	11.41	12.40	13.19	14.37	15.35	16.34	17.81	19.19	20.67	40
-	-	-	-	4.61	5.30	5.99	6.68	7.47	8.06	9.24	10.23	11.02	12.20	13.18	14.17	15.65	17.02	18.50	41
-	-	-	4.41	5.01	5.70	6.39	7.08	7.87	8.46	9.64	10.62	11.41	12.59	13.58	14.56	16.04	17.42	18.89	42
4.91	5.41	5.90	6.59	7.18	7.87	8.56	9.25	10.04	10.63	11.81	12.79	13.58	14.76	15.75	16.73	18.21	19.58	21.06	43
-	-	4.12	4.81	5.40	6.09	6.78	7.47	8.26	8.85	10.03	11.02	11.81	12.99	13.97	14.96	16.43	17.81	19.29	44
5.31	5.80	6.29	6.98	7.57	8.26	8.95	9.64	10.43	11.02	12.20	13.19	13.97	15.16	16.14	17.12	18.60	19.98	21.46	45
-	4.02	4.51	5.20	5.79	6.49	7.18	7.87	8.65	9.24	10.43	11.41	12.20	13.38	14.37	15.35	16.83	18.20	19.68	46
-	-	-	-	-	-	5.39	6.08	6.87	7.46	8.65	9.63	10.42	11.60	12.59	13.57	15.05	16.43	17.91	47
-	-	-	-	-	-	-	-	5.98	6.57	7.76	8.74	9.53	10.71	11.70	12.68	14.16	15.54	17.02	48
4.62	5.11	5.60	6.29	6.88	7.57	8.26	8.95	9.74	10.33	11.51	12.50	13.28	14.47	15.45	16.43	17.91	19.29	20.77	49
3.92	4.41	4.91	5.60	6.19	6.88	7.57	8.26	9.05	9.64	10.82	11.81	12.59	13.77	14.76	15.74	17.22	18.60	20.08	50
0.90	0.90	0.90	0.90	1.00	1.00	1.00	1.00	1.00	1.00	1.00	1.10	1.10	1.10	1.10	1.10	1.20	1.20	1.20	

# Synchronous Plus Drive 5M

## Selection Tables

Line No.	Drive Ratio	Sprocket Combination				1160 RPM DriveR			1750 RPM DriveR			3550 RPM DriveR								
		DRIVER		DRIVEN		DN RPM	Horsepower		DN RPM	Horsepower		DN RPM	Horsepower		400	425	450	475	500	535
		Teeth	PD (in)	Teeth	PD (in)		15MM	25MM		15MM	25MM		15MM	25MM	0.80	0.80	0.90	0.90	0.90	0.90
Multiply Horsepower Listed by Length Correction Factor to Find Horsepower Rating -->																				
51	1.29	56	3.509	72	4.511	902	3.59	6.42	1361	5.25	9.40	2761	9.91	17.73	--	--	--	--	--	
52	1.29	34	2.130	44	2.757	896	1.98	3.54	1352	2.84	5.09	2743	5.24	9.37	4.02	4.52	5.01	5.50	6.00	6.69
53	1.30	40	2.506	52	3.258	892	2.43	4.36	1346	3.53	6.32	2731	6.59	11.80	3.33	3.82	4.31	4.81	5.30	5.99
54	1.31	52	3.258	68	4.261	887	3.31	5.92	1338	4.84	8.66	2715	9.12	16.33	--	--	--	--	--	4.60
55	1.32	68	4.261	90	5.639	876	4.38	7.85	1322	6.44	11.52	2682	12.09	21.64	--	--	--	--	--	--
56	1.33	36	2.256	48	3.008	870	2.13	3.81	1312	3.07	5.50	2662	5.69	10.19	3.72	4.22	4.71	5.20	5.70	6.39
57	1.33	48	3.008	64	4.010	870	3.02	5.41	1312	4.41	7.90	2662	8.30	14.87	--	--	--	--	4.30	4.99
58	1.33	60	3.760	80	5.013	870	3.86	6.91	1312	5.66	10.13	2662	10.66	19.09	--	--	--	--	--	--
59	1.36	44	2.757	60	3.760	851	2.73	4.89	1283	3.97	7.12	2603	7.46	13.36	--	--	3.71	4.20	4.70	5.39
60	1.37	38	2.381	52	3.258	848	2.28	4.09	1279	3.30	5.91	2594	6.15	11.00	3.42	3.91	4.41	4.90	5.40	6.09
61	1.38	32	2.005	44	2.757	844	1.82	3.26	1273	2.61	4.67	2582	4.77	8.54	4.12	4.61	5.10	5.60	6.09	6.78
62	1.38	52	3.258	72	4.511	838	3.31	5.92	1264	4.84	8.66	2564	9.12	16.33	--	--	--	--	--	4.38
63	1.40	40	2.506	56	3.509	829	2.43	4.36	1250	3.53	6.32	2536	6.59	11.80	--	3.61	4.10	4.60	5.09	5.79
64	1.41	64	4.010	90	5.639	825	4.13	7.38	1244	6.05	10.83	2524	11.39	20.39	--	--	--	--	--	--
65	1.41	34	2.130	48	3.008	822	1.98	3.54	1240	2.84	5.09	2515	5.24	9.37	3.81	4.31	4.80	5.30	5.79	6.48
66	1.42	48	3.008	68	4.261	819	3.02	5.41	1235	4.41	7.90	2506	8.30	14.87	--	--	--	--	4.09	4.78
67	1.43	56	3.509	80	5.013	812	3.59	6.42	1225	5.25	9.40	2485	9.91	17.73	--	--	--	--	--	--
68	1.44	36	2.256	52	3.258	803	2.13	3.81	1212	3.07	5.50	2458	5.69	10.19	3.51	4.00	4.50	4.99	5.49	6.18
69	1.45	44	2.757	64	4.010	798	2.73	4.89	1203	3.97	7.12	2441	7.46	13.36	--	--	--	3.99	4.48	5.18
70	1.47	38	2.381	56	3.509	787	2.28	4.09	1188	3.30	5.91	2409	6.15	11.00	--	3.70	4.19	4.69	5.19	5.88
71	1.50	32	2.005	48	3.008	773	1.82	3.26	1167	2.61	4.67	2367	4.77	8.54	3.90	4.40	4.90	5.39	5.88	6.58
72	1.50	40	2.506	60	3.760	773	2.43	4.36	1167	3.53	6.32	2367	6.59	11.80	--	--	3.89	4.38	4.88	5.58
73	1.50	48	3.008	72	4.511	773	3.02	5.41	1167	4.41	7.90	2367	8.30	14.87	--	--	--	--	--	4.56
74	1.50	60	3.760	90	5.639	773	3.86	6.91	1167	5.66	10.13	2367	10.66	19.09	--	--	--	--	--	--
75	1.53	34	2.130	52	3.258	758	1.98	3.54	1144	2.84	5.09	2321	5.24	9.37	3.60	4.10	4.59	5.09	5.58	6.27
76	1.54	52	3.258	80	5.013	754	3.31	5.92	1138	4.84	8.66	2308	9.12	16.33	--	--	--	--	--	--
77	1.55	44	2.757	68	4.261	751	2.73	4.89	1132	3.97	7.12	2297	7.46	13.36	--	--	--	--	4.26	4.96
78	1.56	36	2.256	56	3.509	746	2.13	3.81	1125	3.07	5.50	2282	5.69	10.19	3.29	3.79	4.28	4.78	5.28	5.97
79	1.56	72	4.511	112	7.018	746	4.64	8.30	1125	6.81	12.19	2282	12.75	22.83	--	--	--	--	--	--
80	1.58	38	2.381	60	3.760	735	2.28	4.09	1108	3.30	5.91	2248	6.15	11.00	--	3.47	3.98	4.47	4.97	5.67
81	1.60	40	2.506	64	4.010	725	2.43	4.36	1094	3.53	6.32	2219	6.59	11.80	--	--	3.66	4.16	4.66	5.36
82	1.61	56	3.509	90	5.639	722	3.59	6.42	1089	5.25	9.40	2209	9.91	17.73	--	--	--	--	--	--
83	1.63	32	2.005	52	3.258	714	1.82	3.26	1077	2.61	4.67	2185	4.77	8.54	3.69	4.19	4.68	5.18	5.67	6.37
84	1.64	44	2.757	72	4.511	709	2.73	4.89	1069	3.97	7.12	2169	7.46	13.36	--	--	--	--	4.04	4.74
85	1.65	34	2.130	56	3.509	704	1.98	3.54	1062	2.84	5.09	2155	5.24	9.37	3.37	3.88	4.37	4.87	5.37	6.06
86	1.65	68	4.261	112	7.018	704	4.38	7.85	1062	6.44	11.52	2155	12.09	21.64	--	--	--	--	--	--
87	1.67	36	2.256	60	3.760	696	2.13	3.81	1050	3.07	5.50	2130	5.69	10.19	--	3.56	4.06	4.56	5.06	5.76
88	1.67	48	3.008	80	5.013	696	3.02	5.41	1050	4.41	7.90	2130	8.30	14.87	--	--	--	--	--	--
89	1.68	38	2.381	64	4.010	689	2.28	4.09	1039	3.30	5.91	2108	6.15	11.00	--	--	3.75	4.25	4.75	5.45
90	1.70	40	2.506	68	4.261	682	2.43	4.36	1029	3.53	6.32	2088	6.59	11.80	--	--	--	3.94	4.44	5.14
91	1.73	52	3.258	90	5.639	670	3.31	5.92	1011	4.84	8.66	2051	9.12	16.33	--	--	--	--	--	--
92	1.75	32	2.005	56	3.509	663	1.82	3.26	1000	2.61	4.67	2029	4.77	8.54	3.46	3.96	4.46	4.96	5.46	6.15
93	1.75	64	4.010	112	7.018	663	4.13	7.38	1000	6.05	10.83	2029	11.39	20.39	--	--	--	--	--	--
94	1.76	34	2.130	60	3.760	657	1.98	3.54	992	2.84	5.09	2012	5.24	9.37	--	3.65	4.15	4.65	5.15	5.85
95	1.78	36	2.256	64	4.010	652	2.13	3.81	984	3.07	5.50	1997	5.69	10.19	--	--	3.84	4.34	4.84	5.54
96	1.79	38	2.381	68	4.261	648	2.28	4.09	978	3.30	5.91	1984	6.15	11.00	--	--	--	4.02	4.53	5.23
97	1.80	40	2.506	72	4.511	644	2.43	4.36	972	3.53	6.32	1972	6.59	11.80	--	--	--	--	4.21	4.92
98	1.82	44	2.757	80	5.013	638	2.73	4.89	962	3.97	7.12	1952	7.46	13.36	--	--	--	--	--	4.28
99	1.87	60	3.760	112	7.018	621	3.86	6.91	938	5.66	10.13	1902	10.66	19.09	--	--	--	--	--	--
100	1.88	32	2.005	60	3.760	619	1.82	3.26	933	2.61	4.67	1893	4.77	8.54	--	3.74	4.24	4.74	5.24	5.94
Multiply Horsepower Listed by Length Correction Factor to Find Horsepower Rating -->																				
															<b>0.80</b>	<b>0.80</b>	<b>0.90</b>	<b>0.90</b>	<b>0.90</b>	<b>0.90</b>



# Synchronous Plus Drive 5M

## Selection Tables

CENTER DISTANCE																	Line No.
BELT LENGTH – Length Correction Factor																	
565	600	635	670	710	740	800	850	890	950	1000	1050	1125	1195	1270	1420	1595	
1.00	1.00	1.00	1.00	1.00	1.00	1.00	1.10	1.10	1.10	1.10	1.10	1.20	1.20	1.20	1.20	1.30	
4.80	5.49	6.18	6.87	7.66	8.25	9.44	10.42	11.21	12.39	13.38	14.36	15.84	17.22	18.69	21.65	25.09	51
7.28	7.97	8.66	9.35	10.13	10.72	11.91	12.89	13.68	14.86	15.84	16.83	18.30	19.68	21.16	24.11	27.56	52
6.58	7.27	7.96	8.65	9.44	10.03	11.21	12.20	12.99	14.17	15.15	16.14	17.61	18.99	20.47	23.42	26.87	53
5.19	5.88	6.58	7.27	8.06	8.65	9.83	10.82	11.60	12.79	13.77	14.76	16.23	17.61	19.09	22.04	25.49	54
-	-	-	5.37	6.16	6.76	7.94	8.93	9.72	10.90	11.89	12.88	14.35	15.73	17.21	20.17	23.61	55
6.98	7.67	8.36	9.05	9.84	10.43	11.61	12.59	13.38	14.56	15.55	16.53	18.01	19.39	20.86	23.82	27.26	56
5.59	6.28	6.97	7.66	8.45	9.04	10.22	11.21	12.00	13.18	14.16	15.15	16.63	18.00	19.48	22.44	25.88	57
-	4.88	5.58	6.27	7.06	7.65	8.84	9.82	10.61	11.79	12.78	13.77	15.24	16.62	18.10	21.05	24.50	58
5.98	6.67	7.36	8.06	8.84	9.44	10.62	11.60	12.39	13.57	14.56	15.54	17.02	18.40	19.88	22.83	26.27	59
6.68	7.37	8.06	8.75	9.54	10.13	11.31	12.30	13.08	14.26	15.25	16.23	17.71	19.09	20.57	23.52	26.96	60
7.37	8.06	8.75	9.44	10.23	10.82	12.00	12.99	13.77	14.96	15.94	16.92	18.40	19.78	21.26	24.21	27.65	61
4.98	5.67	6.37	7.06	7.85	8.44	9.63	10.61	11.40	12.58	13.57	14.55	16.03	17.41	18.89	21.84	25.29	62
6.38	7.07	7.76	8.45	9.24	9.83	11.01	12.00	12.79	13.97	14.95	15.94	17.41	18.79	20.27	23.22	26.67	63
-	-	-	5.55	6.35	6.94	8.13	9.12	9.91	11.09	12.08	13.07	14.54	15.92	17.40	20.36	23.80	64
7.07	7.76	8.45	9.14	9.93	10.52	11.70	12.69	13.48	14.66	15.64	16.63	18.10	19.48	20.96	23.91	27.36	65
5.38	6.07	6.76	7.45	8.24	8.84	10.02	11.01	11.79	12.98	13.96	14.95	16.43	17.80	19.28	22.24	25.68	66
-	5.06	5.76	6.45	7.24	7.84	9.02	10.01	10.80	11.98	12.97	13.96	15.43	16.81	18.29	21.25	24.69	67
6.77	7.46	8.15	8.84	9.63	10.22	11.41	12.39	13.18	14.36	15.35	16.33	17.81	19.19	20.66	23.62	27.06	68
5.77	6.47	7.16	7.85	8.64	9.23	10.41	11.40	12.19	13.37	14.36	15.34	16.82	18.20	19.68	22.63	26.08	69
6.47	7.16	7.85	8.54	9.33	9.92	11.11	12.09	12.88	14.06	15.05	16.03	17.51	18.89	20.37	23.32	26.77	70
7.17	7.86	8.55	9.24	10.03	10.62	11.80	12.79	13.57	14.76	15.74	16.72	18.20	19.58	21.06	24.01	27.46	71
6.17	6.86	7.55	8.24	9.03	9.63	10.81	11.79	12.58	13.77	14.75	15.74	17.21	18.59	20.07	23.02	26.47	72
5.16	5.86	6.55	7.24	8.04	8.63	9.81	10.80	11.59	12.77	13.76	14.74	16.22	17.60	19.08	22.03	25.48	73
-	-	-	5.73	6.53	7.12	8.31	9.30	10.09	11.28	12.27	13.25	14.73	16.11	17.59	20.55	24.00	74
6.87	7.56	8.25	8.94	9.73	10.32	11.50	12.49	13.28	14.46	15.44	16.43	17.90	19.28	20.76	23.71	27.16	75
4.54	5.24	5.94	6.63	7.43	8.02	9.21	10.20	10.99	12.17	13.16	14.15	15.62	17.00	18.48	21.44	24.89	76
5.56	6.25	6.95	7.64	8.43	9.02	10.21	11.20	11.98	13.17	14.15	15.14	16.62	18.00	19.47	22.43	25.87	77
6.56	7.26	7.95	8.64	9.43	10.02	11.20	12.19	12.98	14.16	15.14	16.13	17.61	18.99	20.46	23.42	26.86	78
-	-	-	-	-	-	6.57	7.57	8.37	9.56	10.56	11.55	13.03	14.41	15.90	18.86	22.31	79
6.26	6.95	7.65	8.34	9.13	9.72	10.90	11.89	12.68	13.86	14.85	15.83	17.31	18.69	20.17	23.12	26.57	80
5.96	6.65	7.34	8.04	8.83	9.42	10.60	11.59	12.38	13.56	14.55	15.53	17.01	18.39	19.87	22.82	26.27	81
-	-	5.21	5.91	6.71	7.30	8.50	9.49	10.28	11.47	12.45	13.44	14.92	16.30	17.78	20.74	24.19	82
6.96	7.65	8.34	9.03	9.82	10.41	11.60	12.58	13.37	14.55	15.54	16.52	18.00	19.38	20.86	23.81	27.26	83
5.34	6.04	6.73	7.43	8.22	8.81	10.00	10.99	11.78	12.96	13.95	14.93	16.41	17.79	19.27	22.23	25.67	84
6.66	7.35	8.04	8.73	9.52	10.11	11.30	12.28	13.07	14.25	15.24	16.23	17.70	19.08	20.56	23.51	26.96	85
-	-	-	-	-	-	6.75	7.75	8.55	9.74	10.74	11.73	13.22	14.60	16.08	19.04	22.50	86
6.35	7.05	7.74	8.43	9.22	9.81	11.00	11.98	12.77	13.96	14.94	15.93	17.41	18.78	20.26	23.22	26.66	87
4.72	5.42	6.12	6.82	7.61	8.21	9.40	10.38	11.18	12.36	13.35	14.34	15.81	17.20	18.67	21.63	25.08	88
6.05	6.74	7.44	8.13	8.92	9.51	10.70	11.68	12.47	13.66	14.64	15.63	17.11	18.49	19.96	22.92	26.37	89
5.74	6.44	7.13	7.82	8.62	9.21	10.40	11.38	12.17	13.36	14.34	15.33	16.81	18.19	19.67	22.62	26.07	90
-	-	5.38	6.08	6.89	7.48	8.68	9.67	10.46	11.65	12.64	13.63	15.11	16.49	17.97	20.93	24.38	91
6.75	7.44	8.13	8.83	9.62	10.21	11.39	12.38	13.17	14.35	15.34	16.32	17.80	19.18	20.66	23.61	27.06	92
-	-	-	-	-	-	6.92	7.93	8.73	9.93	10.92	11.91	13.40	14.79	16.27	19.23	22.69	93
6.44	7.14	7.83	8.52	9.31	9.91	11.09	12.08	12.87	14.05	15.04	16.02	17.50	18.88	20.36	23.31	26.76	94
6.14	6.83	7.53	8.22	9.01	9.61	10.79	11.78	12.57	13.75	14.74	15.72	17.20	18.58	20.06	23.01	26.46	95
5.83	6.53	7.22	7.92	8.71	9.30	10.49	11.48	12.27	13.45	14.44	15.42	16.90	18.28	19.76	22.72	26.16	96
5.52	6.22	6.92	7.61	8.40	9.00	10.19	11.18	11.97	13.15	14.14	15.12	16.60	17.98	19.46	22.42	25.87	97
4.89	5.59	6.30	7.00	7.79	8.39	9.58	10.57	11.36	12.55	13.54	14.52	16.00	17.38	18.86	21.82	25.27	98
-	-	-	-	-	5.88	7.10	8.10	8.91	10.10	11.10	12.09	13.58	14.97	16.45	19.42	22.88	99
6.54	7.23	7.92	8.62	9.41	10.00	11.19	12.17	12.96	14.15	15.13	16.12	17.60	18.98	20.45	23.41	26.86	100
<b>1.00</b>	<b>1.00</b>	<b>1.00</b>	<b>1.00</b>	<b>1.00</b>	<b>1.00</b>	<b>1.00</b>	<b>1.10</b>	<b>1.10</b>	<b>1.10</b>	<b>1.10</b>	<b>1.10</b>	<b>1.20</b>	<b>1.20</b>	<b>1.20</b>	<b>1.20</b>	<b>1.30</b>	

# Synchronous Plus Drive 5M

## Selection Tables

Line No.	Drive Ratio	Sprocket Combination				1160 RPM DriveR			1750 RPM DriveR			3550 RPM DriveR		
		DRIVER		DRIVEN		DN RPM	Horsepower		DN RPM	Horsepower		DN RPM	Horsepower	
		Teeth	PD (in)	Teeth	PD (in)		15MM	25MM		15MM	25MM		15MM	25MM
<b>Multiply Horsepower Listed by Length Correction Factor to Find Horsepower Rating --&gt;</b>														
101	1.88	48	3.008	90	5.639	619	3.02	5.41	933	4.41	7.90	1893	8.30	14.87
102	1.88	34	2.130	64	4.010	616	1.98	3.54	930	2.84	5.09	1886	5.24	9.37
103	1.89	36	2.256	68	4.261	614	2.13	3.81	926	3.07	5.50	1879	5.69	10.19
104	1.89	38	2.381	72	4.511	612	2.28	4.09	924	3.30	5.91	1874	6.15	11.00
105	2.00	32	2.005	64	4.010	580	1.82	3.26	875	2.61	4.67	1775	4.77	8.54
106	2.00	34	2.130	68	4.261	580	1.98	3.54	875	2.84	5.09	1775	5.24	9.37
107	2.00	36	2.256	72	4.511	580	2.13	3.81	875	3.07	5.50	1775	5.69	10.19
108	2.00	40	2.506	80	5.013	580	2.43	4.36	875	3.53	6.32	1775	6.59	11.80
109	2.00	56	3.509	112	7.018	580	3.59	6.42	875	5.25	9.40	1775	9.91	17.73
110	2.05	44	2.757	90	5.639	567	2.73	4.89	856	3.97	7.12	1736	7.46	13.36
111	2.11	38	2.381	80	5.013	551	2.28	4.09	831	3.30	5.91	1686	6.15	11.00
112	2.12	34	2.130	72	4.511	548	1.98	3.54	826	2.84	5.09	1676	5.24	9.37
113	2.13	32	2.005	68	4.261	546	1.82	3.26	824	2.61	4.67	1671	4.77	8.54
114	2.15	52	3.258	112	7.018	539	3.31	5.92	812	4.84	8.66	1648	9.12	16.33
115	2.22	36	2.256	80	5.013	522	2.13	3.81	788	3.07	5.50	1598	5.69	10.19
116	2.25	32	2.005	72	4.511	516	1.82	3.26	778	2.61	4.67	1578	4.77	8.54
117	2.25	40	2.506	90	5.639	516	2.43	4.36	778	3.53	6.32	1578	6.59	11.80
118	2.33	48	3.008	112	7.018	497	3.02	5.41	750	4.41	7.90	1521	8.30	14.87
119	2.35	34	2.130	80	5.013	493	1.98	3.54	744	2.84	5.09	1509	5.24	9.37
120	2.37	38	2.381	90	5.639	490	2.28	4.09	739	3.30	5.91	1499	6.15	11.00
121	2.50	32	2.005	80	5.013	464	1.82	3.26	700	2.61	4.67	1420	4.77	8.54
122	2.50	36	2.256	90	5.639	464	2.13	3.81	700	3.07	5.50	1420	5.69	10.19
123	2.55	44	2.757	112	7.018	456	2.73	4.89	688	3.97	7.12	1395	7.46	13.36
124	2.65	34	2.130	90	5.639	438	1.98	3.54	661	2.84	5.09	1341	5.24	9.37
125	2.80	40	2.506	112	7.018	414	2.43	4.36	625	3.53	6.32	1268	6.59	11.80
126	2.81	32	2.005	90	5.639	412	1.82	3.26	622	2.61	4.67	1262	4.77	8.54
127	2.95	38	2.381	112	7.018	394	2.28	4.09	594	3.30	5.91	1204	6.15	11.00
128	3.11	36	2.256	112	7.018	373	2.13	3.81	562	3.07	5.50	1141	5.69	10.19
129	3.29	34	2.130	112	7.018	352	1.98	3.54	531	2.84	5.09	1078	5.24	9.37
130	3.50	32	2.005	107	6.732	331	1.82	3.26	500	2.61	4.67	1014	4.77	8.54
<b>Multiply Horsepower Listed by Length Correction Factor to Find Horsepower Rating --&gt;</b>														

450	475	500	535
0.90	0.90	0.90	0.90
-	-	-	-
3.92	4.43	4.93	5.63
-	4.11	4.62	5.32
-	-	4.30	5.00
4.01	4.51	5.02	5.72
3.68	4.20	4.70	5.41
-	3.87	4.38	5.09
-	-	-	4.45
-	-	-	-
-	-	-	-
-	-	-	4.53
-	3.95	4.47	5.18
3.77	4.28	4.79	5.49
-	-	-	-
-	-	-	4.62
-	4.04	4.55	5.26
-	-	-	-
-	-	-	-
-	-	3.97	4.70
-	-	-	-
-	-	4.05	4.78
-	-	-	-
-	-	-	-
-	-	-	-
-	-	-	-
-	-	-	-
-	-	-	-
0.90	0.90	0.90	0.90

# Synchronous Plus Drive 5M

## Selection Tables

CENTER DISTANCE																			Line No.
BELT LENGTH – Length Correction Factor																			
565	600	635	670	710	740	800	850	890	950	1000	1050	1125	1195	1270	1420	1595	1690	1790	
1.00	1.00	1.00	1.00	1.00	1.00	1.00	1.10	1.10	1.10	1.10	1.10	1.20	1.20	1.20	1.20	1.30	1.30	1.30	
-	4.84	5.55	6.26	7.06	7.66	8.86	9.85	10.65	11.84	12.83	13.82	15.30	16.68	18.16	21.12	24.57	26.44	28.41	101
6.23	6.92	7.62	8.31	9.11	9.70	10.88	11.87	12.66	13.85	14.83	15.82	17.30	18.68	20.16	23.11	26.56	28.43	30.40	102
5.92	6.62	7.31	8.01	8.80	9.40	10.58	11.57	12.36	13.55	14.53	15.52	17.00	18.38	19.86	22.81	26.26	28.13	30.10	103
5.61	6.31	7.01	7.70	8.50	9.09	10.28	11.27	12.06	13.24	14.23	15.22	16.70	18.08	19.56	22.51	25.96	27.83	29.80	104
6.32	7.01	7.71	8.40	9.20	9.79	10.98	11.97	12.76	13.94	14.93	15.91	17.39	18.77	20.25	23.21	26.65	28.53	30.50	105
6.01	6.71	7.40	8.10	8.89	9.49	10.68	11.66	12.45	13.64	14.63	15.61	17.09	18.47	19.95	22.91	26.36	28.23	30.20	106
5.70	6.40	7.10	7.79	8.59	9.18	10.37	11.36	12.15	13.34	14.33	15.31	16.79	18.17	19.65	22.61	26.06	27.93	29.90	107
5.06	5.77	6.47	7.17	7.97	8.57	9.76	10.75	11.55	12.73	13.72	14.71	16.19	17.57	19.05	22.01	25.46	27.33	29.30	108
-	-	-	-	-	6.04	7.27	8.28	9.08	10.28	11.28	12.28	13.77	15.15	16.64	19.61	23.06	24.94	26.91	109
-	5.01	5.72	6.43	7.24	7.84	9.04	10.03	10.83	12.02	13.01	14.00	15.48	16.87	18.35	21.31	24.76	26.63	28.61	110
5.15	5.86	6.56	7.26	8.06	8.66	9.85	10.85	11.64	12.83	13.82	14.80	16.29	17.67	19.15	22.11	25.56	27.43	29.40	111
5.78	6.49	7.18	7.88	8.68	9.27	10.46	11.45	12.25	13.43	14.42	15.41	16.89	18.27	19.75	22.70	26.15	28.03	30.00	112
6.10	6.80	7.49	8.19	8.98	9.58	10.77	11.76	12.55	13.73	14.72	15.71	17.19	18.57	20.05	23.00	26.45	28.32	30.29	113
-	-	-	-	5.59	6.21	7.44	8.45	9.26	10.46	11.46	12.46	13.95	15.34	16.82	19.79	23.25	25.13	27.10	114
5.23	5.94	6.65	7.35	8.15	8.75	9.94	10.94	11.73	12.92	13.91	14.90	16.38	17.76	19.24	22.20	25.65	27.52	29.50	115
5.87	6.57	7.27	7.97	8.77	9.36	10.56	11.55	12.34	13.52	14.51	15.50	16.98	18.36	19.84	22.80	26.25	28.12	30.09	116
4.45	5.18	5.89	6.61	7.41	8.02	9.22	10.21	11.01	12.20	13.19	14.19	15.67	17.05	18.54	21.50	24.95	26.82	28.80	117
-	-	-	-	5.75	6.38	7.61	8.63	9.43	10.64	11.64	12.64	14.13	15.52	17.01	19.98	23.44	25.31	27.29	118
5.32	6.03	6.74	7.44	8.24	8.84	10.03	11.03	11.82	13.01	14.00	14.99	16.47	17.86	19.34	22.30	25.75	27.62	29.59	119
4.53	5.26	5.98	6.69	7.50	8.10	9.31	10.30	11.10	12.29	13.29	14.28	15.76	17.15	18.63	21.59	25.05	26.92	28.89	120
5.40	6.11	6.82	7.53	8.33	8.93	10.12	11.12	11.91	13.10	14.09	15.08	16.57	17.95	19.43	22.39	25.84	27.72	29.69	121
4.61	5.34	6.06	6.78	7.59	8.19	9.39	10.39	11.19	12.38	13.38	14.37	15.85	17.24	18.72	21.69	25.14	27.01	28.99	122
-	-	-	-	5.92	6.54	7.78	8.80	9.61	10.81	11.82	12.82	14.31	15.70	17.19	20.16	23.62	25.50	27.48	123
4.69	5.42	6.15	6.86	7.67	8.28	9.48	10.48	11.28	12.48	13.47	14.46	15.95	17.33	18.82	21.78	25.23	27.11	29.08	124
-	-	-	5.22	6.08	6.71	7.95	8.97	9.78	10.99	11.99	12.99	14.49	15.88	17.37	20.35	23.81	25.69	27.66	125
4.77	5.51	6.23	6.95	7.76	8.37	9.57	10.57	11.37	12.57	13.56	14.55	16.04	17.42	18.91	21.87	25.33	27.20	29.18	126
-	-	-	5.30	6.16	6.79	8.03	9.05	9.87	11.08	12.08	13.08	14.58	15.97	17.46	20.44	23.90	25.78	27.76	127
-	-	-	5.38	6.24	6.87	8.12	9.14	9.95	11.16	12.17	13.17	14.67	16.06	17.56	20.53	24.00	25.87	27.85	128
-	-	-	5.46	6.32	6.95	8.20	9.22	10.04	11.25	12.26	13.26	14.76	16.15	17.65	20.62	24.09	25.97	27.94	129
-	-	-	5.53	6.40	7.03	8.28	9.31	10.12	11.34	12.34	13.35	14.85	16.24	17.74	20.71	24.18	26.06	28.04	130
1.00	1.00	1.00	1.00	1.00	1.00	1.00	1.10	1.10	1.10	1.10	1.10	1.20	1.20	1.20	1.20	1.30	1.30	1.30	

# Synchronous Plus Drive 8M

## Selection Tables

Line No.	Drive Ratio	Sprocket Combination				1160 RPM DriveR					1750 RPM DriveR				
		DRIVER		DRIVEN		DN	Horsepower				DN	Horsepower			
		Teeth	PD (in)	Teeth	PD (in)	RPM	20MM	30MM	50MM	85MM	RPM	20MM	30MM	50MM	85MM
Multiply Horsepower Listed by Length Correction Factor to Find Horsepower Rating -->															
1	1.00	22	2.206	22	2.206	1160	4.13	6.53	-	-	1750	5.62	8.88	-	-
2	1.00	24	2.406	24	2.406	1160	4.71	7.45	-	-	1750	6.40	10.12	-	-
3	1.00	26	2.607	26	2.607	1160	5.28	8.35	-	-	1750	7.17	11.33	-	-
4	1.00	28	2.807	28	2.807	1160	5.84	9.23	16.00	-	1750	7.93	12.52	21.71	-
5	1.00	30	3.008	30	3.008	1160	6.39	10.09	17.49	-	1750	8.66	13.69	23.73	-
6	1.00	32	3.208	32	3.208	1160	6.92	10.94	18.97	-	1750	9.39	14.83	25.71	-
7	1.00	34	3.409	34	3.409	1160	7.45	11.77	20.42	35.54	1750	10.10	15.95	27.66	48.15
8	1.00	36	3.609	36	3.609	1160	7.97	12.60	21.84	38.02	1750	10.79	17.05	29.57	51.48
9	1.00	38	3.810	38	3.810	1160	8.48	13.40	23.24	40.47	1750	11.48	18.13	31.44	54.75
10	1.00	40	4.010	40	4.010	1160	8.99	14.20	24.63	42.88	1750	12.15	19.20	33.29	57.96
11	1.00	44	4.411	44	4.411	1160	9.98	15.76	27.34	47.59	1750	13.47	21.28	36.90	64.24
12	1.00	48	4.812	48	4.812	1160	10.94	17.29	29.97	52.19	1750	14.74	23.30	40.39	70.33
13	1.00	56	5.614	56	5.614	1160	12.80	20.22	35.06	61.04	1750	17.19	27.17	47.11	82.01
14	1.00	64	6.416	64	6.416	1160	14.57	23.03	39.93	69.51	1750	19.52	30.84	53.48	93.12
15	1.00	72	7.218	72	7.218	1160	16.28	25.72	44.60	77.64	1750	21.74	34.35	59.57	103.71
16	1.00	80	8.020	80	8.020	1160	17.92	28.31	49.10	85.47	1750	23.87	37.71	65.39	113.84
17	1.05	38	3.810	40	4.010	1102	8.48	13.40	23.24	40.47	1662	11.48	18.13	31.44	54.75
18	1.06	36	3.609	38	3.810	1099	7.97	12.60	21.84	38.02	1658	10.79	17.05	29.57	51.48
19	1.06	34	3.409	36	3.609	1096	7.45	11.77	20.42	35.54	1653	10.10	15.95	27.66	48.15
20	1.06	32	3.208	34	3.409	1092	6.92	10.94	18.97	-	1647	9.39	14.83	25.71	-
21	1.07	30	3.008	32	3.208	1088	6.39	10.09	17.49	-	1641	8.66	13.69	23.73	-
22	1.07	28	2.807	30	3.008	1083	5.84	9.23	16.00	-	1633	7.93	12.52	21.71	-
23	1.08	26	2.607	28	2.807	1077	5.28	8.35	-	-	1625	7.17	11.33	-	-
24	1.08	24	2.406	26	2.607	1071	4.71	7.45	-	-	1615	6.40	10.12	-	-
25	1.09	22	2.206	24	2.406	1063	4.13	6.53	-	-	1604	5.62	8.88	-	-
26	1.09	44	4.411	48	4.812	1063	9.98	15.76	27.34	47.59	1604	13.47	21.28	36.90	64.24
27	1.10	40	4.010	44	4.411	1055	8.99	14.20	24.63	42.88	1591	12.15	19.20	33.29	57.96
28	1.11	36	3.609	40	4.010	1044	7.97	12.60	21.84	38.02	1575	10.79	17.05	29.57	51.48
29	1.11	72	7.218	80	8.020	1044	16.28	25.72	44.60	77.64	1575	21.74	34.35	59.57	103.71
30	1.12	34	3.409	38	3.810	1038	7.45	11.77	20.42	35.54	1566	10.10	15.95	27.66	48.15
31	1.13	32	3.208	36	3.609	1031	6.92	10.94	18.97	-	1556	9.39	14.83	25.71	-
32	1.13	64	6.416	72	7.218	1031	14.57	23.03	39.93	69.51	1556	19.52	30.84	53.48	93.12
33	1.13	80	8.020	90	9.023	1031	17.92	28.31	49.10	85.47	1556	23.87	37.71	65.39	113.84
34	1.13	30	3.008	34	3.409	1024	6.39	10.09	17.49	-	1544	8.66	13.69	23.73	-
35	1.14	28	2.807	32	3.208	1015	5.84	9.23	16.00	-	1531	7.93	12.52	21.71	-
36	1.14	56	5.614	64	6.416	1015	12.80	20.22	35.06	61.04	1531	17.19	27.17	47.11	82.01
37	1.15	26	2.607	30	3.008	1005	5.28	8.35	-	-	1517	7.17	11.33	-	-
38	1.16	38	3.810	44	4.411	1002	8.48	13.40	23.24	40.47	1511	11.48	18.13	31.44	54.75
39	1.17	24	2.406	28	2.807	994	4.71	7.45	-	-	1500	6.40	10.12	-	-
40	1.17	48	4.812	56	5.614	994	10.94	17.29	29.97	52.19	1500	14.74	23.30	40.39	70.33
41	1.18	34	3.409	40	4.010	986	7.45	11.77	20.42	35.54	1488	10.10	15.95	27.66	48.15
42	1.18	22	2.206	26	2.607	982	4.13	6.53	-	-	1481	5.62	8.88	-	-
43	1.19	32	3.208	38	3.810	977	6.92	10.94	18.97	-	1474	9.39	14.83	25.71	-
44	1.20	30	3.008	36	3.609	967	6.39	10.09	17.49	-	1458	8.66	13.69	23.73	-
45	1.20	40	4.010	48	4.812	967	8.99	14.20	24.63	42.88	1458	12.15	19.20	33.29	57.96
46	1.21	28	2.807	34	3.409	955	5.84	9.23	16.00	-	1441	7.93	12.52	21.71	-
47	1.22	36	3.609	44	4.411	949	7.97	12.60	21.84	38.02	1432	10.79	17.05	29.57	51.48
48	1.23	26	2.607	32	3.208	942	5.28	8.35	-	-	1422	7.17	11.33	-	-
49	1.25	24	2.406	30	3.008	928	4.71	7.45	-	-	1400	6.40	10.12	-	-
50	1.25	32	3.208	40	4.010	928	6.92	10.94	18.97	-	1400	9.39	14.83	25.71	-
Multiply Horsepower Listed by Length Correction Factor to Find Horsepower Rating -->															

480	536	560	600
0.80	0.80	0.80	0.80
5.98	7.09	7.56	8.35
5.67	6.77	7.24	8.03
5.35	6.46	6.93	7.72
5.04	6.14	6.61	7.40
4.72	5.83	6.30	7.09
4.41	5.51	5.98	6.77
-	5.20	5.67	6.46
-	4.88	5.35	6.14
-	4.57	5.04	5.83
-	-	-	5.51
-	-	-	-
-	-	-	-
-	-	-	-
-	-	-	-
-	-	4.88	5.67
-	4.72	5.20	5.98
-	5.04	5.51	6.30
4.25	5.35	5.83	6.61
4.57	5.67	6.14	6.93
4.88	5.98	6.46	7.24
5.20	6.30	6.77	7.56
5.51	6.61	7.09	7.87
5.83	6.93	7.40	8.19
-	-	-	-
-	-	-	5.19
-	4.56	5.04	5.82
-	-	-	-
-	4.88	5.35	6.14
-	5.19	5.67	6.45
-	-	-	-
4.40	5.51	5.98	6.77
4.72	5.82	6.30	7.08
-	-	-	-
5.04	6.14	6.61	7.40
-	-	-	5.35
5.35	6.45	6.93	7.71
-	-	-	-
-	4.71	5.19	5.98
5.67	6.77	7.24	8.03
-	5.03	5.50	6.29
4.24	5.35	5.82	6.61
-	-	-	-
4.56	5.66	6.13	6.92
-	-	-	5.50
4.87	5.98	6.45	7.24
5.19	6.29	6.76	7.55
-	4.87	5.34	6.13
0.80	0.80	0.80	0.80

# Synchronous Plus Drive 8M

## Selection Tables

CENTER DISTANCE																		Line No.
BELT LENGTH – Length Correction Factor																		
640	720	800	880	960	1040	1120	1200	1224	1280	1440	1600	1760	1800	2000	2200	2400	2600	
0.90	0.90	0.90	0.90	1.00	1.00	1.00	1.00	1.00	1.10	1.10	1.10	1.10	1.20	1.20	1.20	1.20	1.20	
9.13	10.71	12.28	13.86	15.43	17.01	18.58	20.16	20.63	21.73	24.88	28.03	31.18	31.97	35.91	39.84	43.78	47.72	1
8.82	10.39	11.97	13.54	15.12	16.69	18.27	19.84	20.31	21.42	24.57	27.72	30.87	31.65	35.59	39.53	43.46	47.40	2
8.50	10.08	11.65	13.23	14.80	16.38	17.95	19.53	20.00	21.10	24.25	27.40	30.55	31.34	35.28	39.21	43.15	47.09	3
8.19	9.76	11.34	12.91	14.49	16.06	17.64	19.21	19.69	20.79	23.94	27.09	30.24	31.02	34.96	38.90	42.83	46.77	4
7.87	9.45	11.02	12.60	14.17	15.75	17.32	18.90	19.37	20.47	23.62	26.77	29.92	30.71	34.65	38.58	42.52	46.46	5
7.56	9.13	10.71	12.28	13.86	15.43	17.01	18.58	19.06	20.16	23.31	26.46	29.61	30.39	34.33	38.27	42.20	46.14	6
7.24	8.82	10.39	11.97	13.54	15.12	16.69	18.27	18.74	19.84	22.99	26.14	29.29	30.08	34.02	37.95	41.89	45.83	7
6.93	8.50	10.08	11.65	13.23	14.80	16.38	17.95	18.43	19.53	22.68	25.83	28.98	29.76	33.70	37.64	41.57	45.51	8
6.61	8.19	9.76	11.34	12.91	14.49	16.06	17.64	18.11	19.21	22.36	25.51	28.66	29.45	33.39	37.32	41.26	45.20	9
6.30	7.87	9.45	11.02	12.60	14.17	15.75	17.32	17.80	18.90	22.05	25.20	28.35	29.13	33.07	37.01	40.94	44.88	10
5.67	7.24	8.82	10.39	11.97	13.54	15.12	16.69	17.17	18.27	21.42	24.57	27.72	28.50	32.44	36.38	40.31	44.25	11
-	6.61	8.19	9.76	11.34	12.91	14.49	16.06	16.54	17.64	20.79	23.94	27.09	27.87	31.81	35.75	39.69	43.62	12
-	-	6.93	8.50	10.08	11.65	13.23	14.80	15.28	16.38	19.53	22.68	25.83	26.61	30.55	34.49	38.43	42.36	13
-	-	-	7.24	8.82	10.39	11.97	13.54	14.02	15.12	18.27	21.42	24.57	25.35	29.29	33.23	37.17	41.10	14
-	-	-	-	-	9.13	10.71	12.28	12.76	13.86	17.01	20.16	23.31	24.09	28.03	31.97	35.91	39.84	15
-	-	-	-	-	-	9.45	11.02	11.50	12.60	15.75	18.90	22.05	22.83	26.77	30.71	34.65	38.58	16
6.46	8.03	9.61	11.18	12.76	14.33	15.91	17.48	17.95	19.05	22.20	25.35	28.50	29.29	33.23	37.17	41.10	45.04	17
6.77	8.35	9.92	11.50	13.07	14.65	16.22	17.79	18.27	19.37	22.52	25.67	28.82	29.61	33.54	37.48	41.42	45.35	18
7.09	8.66	10.24	11.81	13.39	14.96	16.54	18.11	18.58	19.68	22.83	25.98	29.13	29.92	33.86	37.80	41.73	45.67	19
7.40	8.98	10.55	12.13	13.70	15.28	16.85	18.42	18.90	20.00	23.15	26.30	29.45	30.24	34.17	38.11	42.05	45.98	20
7.72	9.29	10.87	12.44	14.02	15.59	17.17	18.74	19.21	20.31	23.46	26.61	29.76	30.55	34.49	38.43	42.36	46.30	21
8.03	9.61	11.18	12.76	14.33	15.91	17.48	19.05	19.53	20.63	23.78	26.93	30.08	30.87	34.80	38.74	42.68	46.61	22
8.35	9.92	11.50	13.07	14.65	16.22	17.79	19.37	19.84	20.94	24.09	27.24	30.39	31.18	35.12	39.05	42.99	46.93	23
8.66	10.24	11.81	13.39	14.96	16.54	18.11	19.68	20.16	21.26	24.41	27.56	30.71	31.50	35.43	39.37	43.31	47.24	24
8.98	10.55	12.13	13.70	15.28	16.85	18.42	20.00	20.47	21.57	24.72	27.87	31.02	31.81	35.75	39.68	43.62	47.56	25
-	6.93	8.50	10.08	11.65	13.23	14.80	16.38	16.85	17.95	21.10	24.25	27.40	28.19	32.13	36.06	40.00	43.94	26
5.98	7.56	9.13	10.71	12.28	13.86	15.43	17.01	17.48	18.58	21.73	24.88	28.03	28.82	32.76	36.69	40.63	44.57	27
6.61	8.19	9.76	11.34	12.91	14.49	16.06	17.64	18.11	19.21	22.36	25.51	28.66	29.45	33.39	37.32	41.26	45.20	28
-	-	-	-	-	8.49	10.07	11.65	12.12	13.22	16.37	19.52	22.67	23.46	27.40	31.34	35.27	39.21	29
6.93	8.50	10.08	11.65	13.23	14.80	16.38	17.95	18.42	19.53	22.68	25.83	28.98	29.76	33.70	37.64	41.57	45.51	30
7.24	8.82	10.39	11.97	13.54	15.12	16.69	18.27	18.74	19.84	22.99	26.14	29.29	30.08	34.02	37.95	41.89	45.83	31
-	-	-	-	8.18	9.76	11.33	12.91	13.38	14.48	17.63	20.78	23.93	24.72	28.66	32.60	36.53	40.47	32
-	-	-	-	-	-	-	10.22	10.70	11.80	14.95	18.10	21.25	22.04	25.98	29.92	33.85	37.79	33
7.56	9.13	10.71	12.28	13.86	15.43	17.01	18.58	19.05	20.16	23.31	26.46	29.61	30.39	34.33	38.27	42.20	46.14	34
7.87	9.45	11.02	12.60	14.17	15.75	17.32	18.90	19.37	20.47	23.62	26.77	29.92	30.71	34.65	38.58	42.52	46.46	35
-	-	-	7.86	9.44	11.02	12.59	14.17	14.64	15.74	18.89	22.04	25.19	25.98	29.92	33.86	37.79	41.73	36
8.19	9.76	11.34	12.91	14.49	16.06	17.64	19.21	19.68	20.79	23.94	27.09	30.24	31.02	34.96	38.90	42.83	46.77	37
6.13	7.71	9.29	10.86	12.44	14.01	15.59	17.16	17.64	18.74	21.89	25.04	28.19	28.97	32.91	36.85	40.79	44.72	38
8.50	10.08	11.65	13.23	14.80	16.38	17.95	19.53	20.00	21.10	24.25	27.40	30.55	31.34	35.28	39.21	43.15	47.09	39
-	5.97	7.55	9.13	10.70	12.28	13.85	15.43	15.90	17.00	20.15	23.30	26.45	27.24	31.18	35.12	39.05	42.99	40
6.76	8.34	9.92	11.49	13.07	14.64	16.22	17.79	18.27	19.37	22.52	25.67	28.82	29.60	33.54	37.48	41.42	45.35	41
8.82	10.39	11.97	13.54	15.12	16.69	18.27	19.84	20.31	21.42	24.57	27.72	30.87	31.65	35.59	39.53	43.46	47.40	42
7.08	8.66	10.23	11.81	13.38	14.96	16.53	18.11	18.58	19.68	22.83	25.98	29.13	29.92	33.86	37.79	41.73	45.67	43
7.40	8.97	10.55	12.12	13.70	15.27	16.85	18.42	18.90	20.00	23.15	26.30	29.45	30.23	34.17	38.11	42.05	45.98	44
5.66	7.23	8.81	10.39	11.96	13.54	15.11	16.69	17.16	18.26	21.41	24.56	27.71	28.50	32.44	36.38	40.31	44.25	45
7.71	9.29	10.86	12.44	14.01	15.59	17.16	18.74	19.21	20.31	23.46	26.61	29.76	30.55	34.49	38.42	42.36	46.30	46
6.29	7.86	9.44	11.02	12.59	14.17	15.74	17.32	17.79	18.89	22.04	25.19	28.34	29.13	33.07	37.01	40.94	44.88	47
8.03	9.60	11.18	12.75	14.33	15.90	17.48	19.05	19.53	20.63	23.78	26.93	30.08	30.86	34.80	38.74	42.68	46.61	48
8.34	9.92	11.49	13.07	14.64	16.22	17.79	19.37	19.84	20.94	24.09	27.24	30.39	31.18	35.12	39.05	42.99	46.93	49
6.92	8.49	10.07	11.65	13.22	14.80	16.37	17.95	18.42	19.52	22.67	25.82	28.97	29.76	33.70	37.64	41.57	45.51	50
<b>0.90</b>	<b>0.90</b>	<b>0.90</b>	<b>0.90</b>	<b>1.00</b>	<b>1.00</b>	<b>1.00</b>	<b>1.00</b>	<b>1.00</b>	<b>1.10</b>	<b>1.10</b>	<b>1.10</b>	<b>1.10</b>	<b>1.20</b>	<b>1.20</b>	<b>1.20</b>	<b>1.20</b>	<b>1.20</b>	

# Synchronous Plus Drive 8M

## Selection Tables

Line No.	Drive Ratio	Sprocket Combination				1160 RPM DriveR					1750 RPM DriveR							
		DRIVER		DRIVEN		DN RPM	Horsepower				DN RPM	Horsepower				536	560	600
		Teeth	PD (in)	Teeth	PD (in)		20MM	30MM	50MM	85MM		20MM	30MM	50MM	85MM			
<b>Multiply Horsepower Listed by Length Correction Factor to Find Horsepower Rating -&gt;</b>																		
51	1.25	64	6.416	80	8.020	928	14.57	23.03	39.93	69.51	1400	19.52	30.84	53.48	93.12	-	-	-
52	1.25	72	7.218	90	9.023	928	16.28	25.72	44.60	77.64	1400	21.74	34.35	59.57	103.71	-	-	-
53	1.26	38	3.810	48	4.812	918	8.48	13.40	23.24	40.47	1385	11.48	18.13	31.44	54.75	-	-	-
54	1.27	30	3.008	38	3.810	916	6.39	10.09	17.49	-	1382	8.66	13.69	23.73	-	5.18	5.66	6.44
55	1.27	22	2.206	28	2.807	911	4.13	6.53	-	-	1375	5.62	8.88	-	-	6.61	7.08	7.87
56	1.27	44	4.411	56	5.614	911	9.98	15.76	27.34	47.59	1375	13.47	21.28	36.90	64.24	-	-	-
57	1.29	28	2.807	36	3.609	902	5.84	9.23	16.00	-	1361	7.93	12.52	21.71	-	5.50	5.97	6.76
58	1.29	56	5.614	72	7.218	902	12.80	20.22	35.06	61.04	1361	17.19	27.17	47.11	82.01	-	-	-
59	1.29	34	3.409	44	4.411	896	7.45	11.77	20.42	35.54	1352	10.10	15.95	27.66	48.15	-	4.86	5.65
60	1.31	26	2.607	34	3.409	887	5.28	8.35	-	-	1338	7.17	11.33	-	-	5.81	6.29	7.08
61	1.33	24	2.406	32	3.208	870	4.71	7.45	-	-	1312	6.40	10.12	-	-	6.13	6.60	7.39
62	1.33	30	3.008	40	4.010	870	6.39	10.09	17.49	-	1312	8.66	13.69	23.73	-	5.01	5.49	6.28
63	1.33	36	3.609	48	4.812	870	7.97	12.60	21.84	38.02	1312	10.79	17.05	29.57	51.48	-	-	5.16
64	1.33	48	4.812	64	6.416	870	10.94	17.29	29.97	52.19	1312	14.74	23.30	40.39	70.33	-	-	-
65	1.36	28	2.807	38	3.810	855	5.84	9.23	16.00	-	1289	7.93	12.52	21.71	-	5.33	5.81	6.60
66	1.36	22	2.206	30	3.008	851	4.13	6.53	-	-	1283	5.62	8.88	-	-	6.44	6.92	7.71
67	1.38	32	3.208	44	4.411	844	6.92	10.94	18.97	-	1273	9.39	14.83	25.71	-	-	5.00	5.80
68	1.38	26	2.607	36	3.609	838	5.28	8.35	-	-	1264	7.17	11.33	-	-	5.65	6.12	6.91
69	1.40	40	4.010	56	5.614	829	8.99	14.20	24.63	42.88	1250	12.15	19.20	33.29	57.96	-	-	-
70	1.40	80	8.020	112	11.229	829	17.92	28.31	49.10	85.47	1250	23.87	37.71	65.39	113.84	-	-	-
71	1.41	64	6.416	90	9.023	825	14.57	23.03	39.93	69.51	1244	19.52	30.84	53.48	93.12	-	-	-
72	1.41	34	3.409	48	4.812	822	7.45	11.77	20.42	35.54	1240	10.10	15.95	27.66	48.15	-	-	5.31
73	1.42	24	2.406	34	3.409	819	4.71	7.45	-	-	1235	6.40	10.12	-	-	5.96	6.44	7.23
74	1.43	28	2.807	40	4.010	812	5.84	9.23	16.00	-	1225	7.93	12.52	21.71	-	5.16	5.64	6.43
75	1.43	56	5.614	80	8.020	812	12.80	20.22	35.06	61.04	1225	17.19	27.17	47.11	82.01	-	-	-
76	1.45	22	2.206	32	3.208	798	4.13	6.53	-	-	1203	5.62	8.88	-	-	6.28	6.75	7.54
77	1.45	44	4.411	64	6.416	798	9.98	15.76	27.34	47.59	1203	13.47	21.28	36.90	64.24	-	-	-
78	1.46	26	2.607	38	3.810	794	5.28	8.35	-	-	1197	7.17	11.33	-	-	5.48	5.95	6.74
79	1.47	30	3.008	44	4.411	791	6.39	10.09	17.49	-	1193	8.66	13.69	23.73	-	4.67	5.15	5.94
80	1.47	38	3.810	56	5.614	787	8.48	13.40	23.24	40.47	1188	11.48	18.13	31.44	54.75	-	-	-
81	1.50	24	2.406	36	3.609	773	4.71	7.45	-	-	1167	6.40	10.12	-	-	5.80	6.27	7.06
82	1.50	32	3.208	48	4.812	773	6.92	10.94	18.97	-	1167	9.39	14.83	25.71	-	-	-	5.45
83	1.50	48	4.812	72	7.218	773	10.94	17.29	29.97	52.19	1167	14.74	23.30	40.39	70.33	-	-	-
84	1.54	26	2.607	40	4.010	754	5.28	8.35	-	-	1138	7.17	11.33	-	-	5.31	5.78	6.58
85	1.55	22	2.206	34	3.409	751	4.13	6.53	-	-	1132	5.62	8.88	-	-	6.11	6.59	7.38
86	1.56	36	3.609	56	5.614	746	7.97	12.60	21.84	38.02	1125	10.79	17.05	29.57	51.48	-	-	-
87	1.56	72	7.218	112	11.229	746	16.28	25.72	44.60	77.64	1125	21.74	34.35	59.57	103.71	-	-	-
88	1.57	28	2.807	44	4.411	738	5.84	9.23	16.00	-	1114	7.93	12.52	21.71	-	4.82	5.29	6.09
89	1.58	24	2.406	38	3.810	733	4.71	7.45	-	-	1105	6.40	10.12	-	-	5.63	6.10	6.89
90	1.60	30	3.008	48	4.812	725	6.39	10.09	17.49	-	1094	8.66	13.69	23.73	-	-	4.80	5.60
91	1.60	40	4.010	64	6.416	725	8.99	14.20	24.63	42.88	1094	12.15	19.20	33.29	57.96	-	-	-
92	1.61	56	5.614	90	9.023	722	12.80	20.22	35.06	61.04	1089	17.19	27.17	47.11	82.01	-	-	-
93	1.64	22	2.206	36	3.609	709	4.13	6.53	-	-	1069	5.62	8.88	-	-	5.94	6.42	7.21
94	1.64	44	4.411	72	7.218	709	9.98	15.76	27.34	47.59	1069	13.47	21.28	36.90	64.24	-	-	-
95	1.65	34	3.409	56	5.614	704	7.45	11.77	20.42	35.54	1062	10.10	15.95	27.66	48.15	-	-	-
96	1.67	24	2.406	40	4.010	696	4.71	7.45	-	-	1050	6.40	10.12	-	-	5.45	5.93	6.72
97	1.67	48	4.812	80	8.020	696	10.94	17.29	29.97	52.19	1050	14.74	23.30	40.39	70.33	-	-	-
98	1.68	38	3.810	64	6.416	689	8.48	13.40	23.24	40.47	1039	11.48	18.13	31.44	54.75	-	-	-
99	1.69	26	2.607	44	4.411	685	5.28	8.35	-	-	1034	7.17	11.33	-	-	4.96	5.44	6.23
100	1.71	28	2.807	48	4.812	677	5.84	9.23	16.00	-	1021	7.93	12.52	21.71	-	-	4.94	5.74
<b>Multiply Horsepower Listed by Length Correction Factor to Find Horsepower Rating -&gt;</b>																		
<b>0.80 0.80 0.80</b>																		

# Synchronous Plus Drive 8M

## Selection tables

CENTER DISTANCE																			Line No.
BELT LENGTH – Length Correction Factor																			
640	720	800	880	960	1040	1120	1200	1224	1280	1440	1600	1760	1800	2000	2200	2400	2600	2800	
0.90	0.90	0.90	0.90	1.00	1.00	1.00	1.00	1.00	1.10	1.10	1.10	1.10	1.20	1.20	1.20	1.20	1.20	1.20	
-	-	-	-	-	9.10	10.68	12.26	12.73	13.83	16.99	20.14	23.29	24.08	28.02	31.96	35.90	39.83	43.77	51
-	-	-	-	-	-	9.25	10.83	11.30	12.41	15.56	18.72	21.87	22.66	26.60	30.54	34.48	38.41	42.35	52
5.81	7.38	8.96	10.54	12.12	13.69	15.27	16.84	17.32	18.42	21.57	24.72	27.87	28.66	32.59	36.53	40.47	44.41	48.34	53
7.23	8.81	10.39	11.96	13.54	15.11	16.69	18.26	18.74	19.84	22.99	26.14	29.29	30.08	34.01	37.95	41.89	45.83	49.76	54
8.66	10.23	11.81	13.38	14.96	16.53	18.11	19.68	20.16	21.26	24.41	27.56	30.71	31.49	35.43	39.37	43.31	47.24	51.18	55
-	6.27	7.85	9.43	11.01	12.58	14.16	15.74	16.21	17.31	20.46	23.61	26.76	27.55	31.49	35.43	39.37	43.30	47.24	56
7.55	9.13	10.70	12.28	13.85	15.43	17.00	18.58	19.05	20.15	23.30	26.45	29.60	30.39	34.33	38.27	42.20	46.14	50.08	57
-	-	-	7.20	8.78	10.36	11.94	13.52	13.99	15.10	18.25	21.40	24.55	25.34	29.28	33.22	37.16	41.09	45.03	58
6.44	8.02	9.59	11.17	12.75	14.32	15.90	17.47	17.95	19.05	22.20	25.35	28.50	29.29	33.22	37.16	41.10	45.04	48.97	59
7.86	9.44	11.02	12.59	14.17	15.74	17.32	18.89	19.37	20.47	23.62	26.77	29.92	30.71	34.64	38.58	42.52	46.45	50.39	60
8.18	9.76	11.33	12.91	14.48	16.06	17.63	19.21	19.68	20.78	23.93	27.08	30.23	31.02	34.96	38.90	42.83	46.77	50.71	61
7.07	8.65	10.22	11.80	13.38	14.95	16.53	18.10	18.58	19.68	22.83	25.98	29.13	29.92	33.85	37.79	41.73	45.67	49.60	62
5.95	7.54	9.11	10.69	12.27	13.85	15.42	17.00	17.47	18.57	21.72	24.87	28.03	28.81	32.75	36.69	40.63	44.56	48.50	63
-	-	6.88	8.47	10.05	11.63	13.20	14.78	15.25	16.36	19.51	22.66	25.81	26.60	30.54	34.48	38.42	42.35	46.29	64
7.38	8.96	10.54	12.12	13.69	15.27	16.84	18.42	18.89	19.99	23.14	26.29	29.44	30.23	34.17	38.11	42.04	45.98	49.92	65
8.49	10.07	11.65	13.22	14.80	16.37	17.95	19.52	20.00	21.10	24.25	27.40	30.55	31.34	35.27	39.21	43.15	47.08	51.02	66
6.59	8.17	9.75	11.32	12.90	14.48	16.05	17.63	18.10	19.20	22.35	25.50	28.66	29.44	33.38	37.32	41.26	45.19	49.13	67
7.70	9.28	10.85	12.43	14.01	15.58	17.16	18.73	19.21	20.31	23.46	26.61	29.76	30.55	34.48	38.42	42.36	46.30	50.23	68
-	6.57	8.15	9.73	11.31	12.89	14.47	16.04	16.52	17.62	20.77	23.92	27.07	27.86	31.80	35.74	39.68	43.61	47.55	69
-	-	-	-	-	-	-	-	-	-	13.13	16.30	19.46	20.25	24.20	28.14	32.09	36.03	39.97	70
-	-	-	-	-	-	9.83	11.42	11.90	13.01	16.17	19.33	22.48	23.27	27.21	31.15	35.09	39.03	42.97	71
6.10	7.68	9.26	10.84	12.42	14.00	15.57	17.15	17.62	18.73	21.88	25.03	28.18	28.97	32.91	36.84	40.78	44.72	48.66	72
8.02	9.59	11.17	12.75	14.32	15.90	17.47	19.05	19.52	20.62	23.77	26.92	30.07	30.86	34.80	38.74	42.67	46.61	50.55	73
7.22	8.80	10.38	11.95	13.53	15.11	16.68	18.26	18.73	19.83	22.98	26.13	29.29	30.07	34.01	37.95	41.89	45.82	49.76	74
-	-	-	-	8.10	9.69	11.27	12.86	13.33	14.44	17.60	20.75	23.91	24.70	28.64	32.58	36.52	40.45	44.39	75
8.33	9.91	11.49	13.06	14.64	16.21	17.79	19.36	19.84	20.94	24.09	27.24	30.39	31.18	35.11	39.05	42.99	46.93	50.86	76
-	-	7.17	8.76	10.35	11.93	13.51	15.08	15.56	16.66	19.82	22.97	26.12	26.91	30.85	34.79	38.73	42.67	46.60	77
7.54	9.11	10.69	12.27	13.85	15.42	17.00	18.57	19.05	20.15	23.30	26.45	29.60	30.39	34.33	38.26	42.20	46.14	50.08	78
6.74	8.32	9.90	11.47	13.05	14.63	16.21	17.78	18.25	19.36	22.51	25.66	28.81	29.60	33.54	37.47	41.41	45.35	49.29	79
-	6.71	8.30	9.88	11.46	13.04	14.62	16.20	16.67	17.77	20.93	24.08	27.23	28.02	31.96	35.89	39.83	43.77	47.71	80
7.85	9.43	11.01	12.58	14.16	15.74	17.31	18.89	19.36	20.46	23.61	26.76	29.92	30.70	34.64	38.58	42.52	46.45	50.39	81
6.25	7.83	9.41	10.99	12.57	14.15	15.73	17.30	17.78	18.88	22.03	25.18	28.34	29.12	33.06	37.00	40.94	44.87	48.81	82
-	-	-	7.78	9.37	10.96	12.54	14.12	14.60	15.70	18.86	22.01	25.17	25.96	29.90	33.84	37.78	41.71	45.65	83
7.37	8.95	10.53	12.11	13.68	15.26	16.84	18.41	18.88	19.99	23.14	26.29	29.44	30.23	34.17	38.10	42.04	45.98	49.92	84
8.17	9.75	11.32	12.90	14.48	16.05	17.63	19.20	19.68	20.78	23.93	27.08	30.23	31.02	34.96	38.89	42.83	46.77	50.71	85
-	6.86	8.44	10.03	11.61	13.19	14.77	16.35	16.82	17.92	21.08	24.23	27.38	28.17	32.11	36.05	39.99	43.93	47.86	86
-	-	-	-	-	-	-	-	-	10.52	13.71	16.89	20.06	20.85	24.80	28.75	32.69	36.64	40.58	87
6.88	8.47	10.05	11.63	13.20	14.78	16.36	17.93	18.41	19.51	22.66	25.81	28.97	29.75	33.69	37.63	41.57	45.50	49.44	88
7.68	9.26	10.84	12.42	14.00	15.57	17.15	18.73	19.20	20.30	23.45	26.60	29.76	30.54	34.48	38.42	42.36	46.29	50.23	89
6.39	7.98	9.56	11.14	12.72	14.30	15.88	17.46	17.93	19.03	22.19	25.34	28.49	29.28	33.22	37.15	41.09	45.03	48.97	90
-	-	7.46	9.05	10.64	12.22	13.81	15.39	15.86	16.97	20.12	23.28	26.43	27.22	31.16	35.10	39.04	42.98	46.91	91
-	-	-	-	-	8.81	10.41	12.00	12.48	13.59	16.76	19.93	23.09	23.88	27.82	31.77	35.71	39.65	43.59	92
8.00	9.58	11.16	12.74	14.31	15.89	17.47	19.04	19.51	20.62	23.77	26.92	30.07	30.86	34.80	38.73	42.67	46.61	50.55	93
-	-	-	8.07	9.66	11.25	12.84	14.42	14.89	16.00	19.16	22.32	25.47	26.26	30.20	34.14	38.08	42.02	45.96	94
5.40	7.00	8.59	10.18	11.76	13.34	14.92	16.50	16.97	18.08	21.23	24.38	27.54	28.32	32.26	36.20	40.14	44.08	48.02	95
7.52	9.10	10.68	12.26	13.84	15.41	16.99	18.57	19.04	20.14	23.29	26.44	29.60	30.38	34.32	38.26	42.20	46.13	50.07	96
-	-	-	-	8.67	10.27	11.86	13.45	13.92	15.03	18.20	21.36	24.51	25.30	29.25	33.19	37.13	41.07	45.01	97
-	6.00	7.60	9.20	10.79	12.37	13.95	15.54	16.01	17.12	20.27	23.43	26.58	27.37	31.31	35.25	39.19	43.13	47.07	98
7.03	8.61	10.20	11.78	13.36	14.93	16.51	18.09	18.56	19.66	22.82	25.97	29.12	29.91	33.85	37.78	41.72	45.66	49.60	99
6.54	8.13	9.71	11.29	12.87	14.45	16.03	17.61	18.08	19.19	22.34	25.49	28.64	29.43	33.37	37.31	41.25	45.19	49.12	100
<b>0.90</b>	<b>0.90</b>	<b>0.90</b>	<b>0.90</b>	<b>1.00</b>	<b>1.00</b>	<b>1.00</b>	<b>1.00</b>	<b>1.00</b>	<b>1.10</b>	<b>1.10</b>	<b>1.10</b>	<b>1.10</b>	<b>1.20</b>	<b>1.20</b>	<b>1.20</b>	<b>1.20</b>	<b>1.20</b>	<b>1.20</b>	



# Synchronous Plus Drive 8M

## Selection Tables

Line No.	Drive Ratio	Sprocket Combination				1160 RPM DriveR					1750 RPM DriveR										
		DRIVER		DRIVEN		DN	Horsepower				DN	Horsepower									
		Teeth	PD (in)	Teeth	PD (in)		RPM	20MM	30MM	50MM		85MM	RPM	20MM	30MM	50MM	85MM				
Multiply Horsepower Listed by Length Correction Factor to Find Horsepower Rating -->																					
101	1.73	22	2.206	38	3.810	672	4.13	6.53	-	-	1013	5.62	8.88	-	-	560	600	640	720	800	880
102	1.75	32	3.208	56	5.614	663	6.92	10.94	18.97	-	1000	9.39	14.83	25.71	-	0.80	0.80	0.90	0.90	0.90	0.90
103	1.75	64	6.416	112	11.229	663	14.57	23.03	39.93	69.51	1000	19.52	30.84	53.48	93.12	6.25	7.04	7.83	9.41	10.99	12.57
104	1.78	36	3.609	64	6.416	652	7.97	12.60	21.84	38.02	984	10.79	17.05	29.57	51.48	-	-	5.54	7.14	8.74	10.32
105	1.80	40	4.010	72	7.218	644	8.99	14.20	24.63	42.88	972	12.15	19.20	33.29	57.96	-	-	-	-	6.74	8.35
106	1.80	80	8.020	144	14.437	644	17.92	28.31	49.10	85.47	972	23.87	37.71	65.39	113.84	-	-	-	-	-	-
107	1.82	22	2.206	40	4.010	638	4.13	6.53	-	-	962	5.62	8.88	-	-	6.07	6.87	7.66	9.25	10.83	12.41
108	1.82	44	4.411	80	8.020	638	9.98	15.76	27.34	47.59	962	13.47	21.28	36.90	64.24	-	-	-	-	-	7.34
109	1.83	24	2.406	44	4.411	633	4.71	7.45	-	-	955	6.40	10.12	-	-	5.58	6.38	7.17	8.76	10.35	11.93
110	1.85	26	2.607	48	4.812	628	5.28	8.35	-	-	948	7.17	11.33	-	-	5.08	5.88	6.68	8.27	9.86	11.44
111	1.87	30	3.008	56	5.614	621	6.39	10.09	17.49	-	938	8.66	13.69	23.73	-	-	-	5.68	7.28	8.88	10.47
112	1.88	48	4.812	90	9.023	619	10.94	17.29	29.97	52.19	933	14.74	23.30	40.39	70.33	-	-	-	-	-	-
113	1.88	34	3.409	64	6.416	616	7.45	11.77	20.42	35.54	930	10.10	15.95	27.66	48.15	-	-	-	6.28	7.89	9.49
114	1.89	38	3.810	72	7.218	612	8.48	13.40	23.24	40.47	924	11.48	18.13	31.44	54.75	-	-	-	-	6.88	8.49
115	2.00	22	2.206	44	4.411	580	4.13	6.53	-	-	875	5.62	8.88	-	-	5.72	6.52	7.32	8.91	10.49	12.08
116	2.00	24	2.406	48	4.812	580	4.71	7.45	-	-	875	6.40	10.12	-	-	5.22	6.02	6.82	8.42	10.01	11.59
117	2.00	28	2.807	56	5.614	580	5.84	9.23	16.00	-	875	7.93	12.52	21.71	-	-	5.00	5.81	7.43	9.02	10.62
118	2.00	32	3.208	64	6.416	580	6.92	10.94	18.97	-	875	9.39	14.83	25.71	-	-	-	-	6.41	8.03	9.63
119	2.00	36	3.609	72	7.218	580	7.97	12.60	21.84	38.02	875	10.79	17.05	29.57	51.48	-	-	-	-	7.01	8.63
120	2.00	40	4.010	80	8.020	580	8.99	14.20	24.63	42.88	875	12.15	19.20	33.29	57.96	-	-	-	-	-	7.61
121	2.00	56	5.614	112	11.229	580	12.80	20.22	35.06	61.04	875	17.19	27.17	47.11	82.01	-	-	-	-	-	-
122	2.00	72	7.218	144	14.437	580	16.28	25.72	44.60	77.64	875	21.74	34.35	59.57	103.71	-	-	-	-	-	-
123	2.05	44	4.411	90	9.023	567	9.98	15.76	27.34	47.59	856	13.47	21.28	36.90	64.24	-	-	-	-	-	-
124	2.11	38	3.810	80	8.020	551	8.48	13.40	23.24	40.47	831	11.48	18.13	31.44	54.75	-	-	-	-	-	7.75
125	2.12	34	3.409	72	7.218	548	7.45	11.77	20.42	35.54	826	10.10	15.95	27.66	48.15	-	-	-	-	7.15	8.77
126	2.13	30	3.008	64	6.416	544	6.39	10.09	17.49	-	820	8.66	13.69	23.73	-	-	-	-	6.55	8.17	9.77
127	2.15	26	2.607	56	5.614	539	5.28	8.35	-	-	812	7.17	11.33	-	-	-	5.13	5.95	7.57	9.17	10.76
128	2.18	22	2.206	48	4.812	532	4.13	6.53	-	-	802	5.62	8.88	-	-	5.35	6.16	6.96	8.56	10.15	11.74
129	2.22	36	3.609	80	8.020	522	7.97	12.60	21.84	38.02	788	10.79	17.05	29.57	51.48	-	-	-	-	-	7.88
130	2.25	32	3.208	72	7.218	516	6.92	10.94	18.97	-	778	9.39	14.83	25.71	-	-	-	-	-	7.28	8.91
131	2.25	40	4.010	90	9.023	516	8.99	14.20	24.63	42.88	778	12.15	19.20	33.29	57.96	-	-	-	-	-	-
132	2.25	64	6.416	144	14.437	516	14.57	23.03	39.93	69.51	778	19.52	30.84	53.48	93.12	-	-	-	-	-	-
133	2.29	28	2.807	64	6.416	508	5.84	9.23	16.00	-	766	7.93	12.52	21.71	-	-	-	-	6.69	8.31	9.91
134	2.33	24	2.406	56	5.614	497	4.71	7.45	-	-	750	6.40	10.12	-	-	-	5.27	6.09	7.71	9.31	10.91
135	2.33	48	4.812	112	11.229	497	10.94	17.29	29.97	52.19	750	14.74	23.30	40.39	70.33	-	-	-	-	-	-
136	2.35	34	3.409	80	8.020	493	7.45	11.77	20.42	35.54	744	10.10	15.95	27.66	48.15	-	-	-	-	-	8.01
137	2.37	38	3.810	90	9.023	490	8.48	13.40	23.24	40.47	739	11.48	18.13	31.44	54.75	-	-	-	-	-	-
138	2.40	30	3.008	72	7.218	483	6.39	10.09	17.49	-	729	8.66	13.69	23.73	-	-	-	-	-	7.42	9.05
139	2.40	80	8.020	192	19.249	483	17.92	28.31	49.10	85.47	729	23.87	37.71	65.39	113.84	-	-	-	-	-	-
140	2.46	26	2.607	64	6.416	471	5.28	8.35	-	-	711	7.17	11.33	-	-	-	-	-	6.82	8.45	10.06
141	2.50	32	3.208	80	8.020	464	6.92	10.94	18.97	-	700	9.39	14.83	25.71	-	-	-	-	-	6.48	8.15
142	2.50	36	3.609	90	9.023	464	7.97	12.60	21.84	38.02	700	10.79	17.05	29.57	51.48	-	-	-	-	-	-
143	2.55	22	2.206	56	5.614	456	4.13	6.53	-	-	688	5.62	8.88	-	-	-	5.40	6.22	7.85	9.45	11.05
144	2.55	44	4.411	112	11.229	456	9.98	15.76	27.34	47.59	688	13.47	21.28	36.90	64.24	-	-	-	-	-	-
145	2.57	28	2.807	72	7.218	451	5.84	9.23	16.00	-	681	7.93	12.52	21.71	-	-	-	-	5.89	7.55	9.18
146	2.57	56	5.614	144	14.437	451	12.80	20.22	35.06	61.04	681	17.19	27.17	47.11	82.01	-	-	-	-	-	-
147	2.65	34	3.409	90	9.023	438	7.45	11.77	20.42	35.54	661	10.10	15.95	27.66	48.15	-	-	-	-	-	7.00
148	2.67	24	2.406	64	6.416	435	4.71	7.45	-	-	656	6.40	10.12	-	-	-	-	5.29	6.96	8.58	10.20
149	2.67	30	3.008	80	8.020	435	6.39	10.09	17.49	-	656	8.66	13.69	23.73	-	-	-	-	-	6.61	8.28
150	2.67	72	7.218	192	19.249	435	16.28	25.72	44.60	77.64	656	21.74	34.35	59.57	103.71	-	-	-	-	-	-
Multiply Horsepower Listed by Length Correction Factor to Find Horsepower Rating -->																					
		0.80	0.80	0.90	0.90	0.90	0.90														

# Synchronous Plus Drive 8M

## Selection Tables

CENTER DISTANCE																Line no.
BELT LENGTH – Length Correction Factor																
960	1040	1120	1200	1224	1280	1440	1600	1760	1800	2000	2200	2400	2600	2800	3048	
1.00	1.00	1.00	1.00	1.00	1.10	1.10	1.10	1.10	1.20	1.20	1.20	1.20	1.20	1.20	1.20	
14.15	15.73	17.30	18.88	19.35	20.46	23.61	26.76	29.91	30.70	34.64	38.57	42.51	46.45	50.39	55.27	101
11.91	13.49	15.07	16.65	17.12	18.23	21.38	24.54	27.69	28.48	32.42	36.36	40.30	44.24	48.17	53.06	102
-	-	-	-	9.95	11.08	14.29	17.47	20.65	21.44	25.40	29.35	33.30	37.25	41.19	46.08	103
10.93	12.52	14.10	15.69	16.16	17.27	20.42	23.58	26.73	27.52	31.46	35.41	39.35	43.28	47.22	52.11	104
9.95	11.54	13.13	14.72	15.19	16.30	19.46	22.62	25.78	26.57	30.51	34.45	38.39	42.33	46.27	51.16	105
-	-	-	-	-	-	-	13.48	16.70	17.50	21.49	25.47	29.43	33.39	37.34	42.24	106
13.99	15.56	17.14	18.72	19.19	20.29	23.45	26.60	29.75	30.54	34.48	38.41	42.35	46.29	50.23	55.11	107
8.95	10.55	12.15	13.74	14.22	15.33	18.49	21.66	24.82	25.61	29.55	33.49	37.44	41.38	45.32	50.20	108
13.51	15.08	16.66	18.24	18.71	19.82	22.97	26.12	29.27	30.06	34.00	37.94	41.88	45.82	49.75	54.64	109
13.02	14.60	16.18	17.76	18.23	19.34	22.49	25.65	28.80	29.59	33.53	37.46	41.40	45.34	49.28	54.16	110
12.06	13.64	15.22	16.80	17.27	18.38	21.54	24.69	27.84	28.63	32.57	36.51	40.45	44.39	48.33	53.21	111
7.75	9.37	10.98	12.58	13.06	14.17	17.35	20.52	23.69	24.48	28.43	32.37	36.32	40.26	44.20	49.09	112
11.08	12.67	14.25	15.83	16.31	17.42	20.57	23.73	26.89	27.68	31.62	35.56	39.50	43.44	47.38	52.26	113
10.09	11.69	13.28	14.86	15.34	16.45	19.61	22.77	25.93	26.72	30.66	34.60	38.54	42.49	46.43	51.31	114
13.66	15.24	16.81	18.39	18.87	19.97	23.12	26.28	29.43	30.22	34.16	38.09	42.03	45.97	49.91	54.79	115
13.17	14.75	16.33	17.91	18.39	19.49	22.65	25.80	28.95	29.74	33.68	37.62	41.56	45.50	49.43	54.32	116
12.20	13.79	15.37	16.95	17.42	18.53	21.69	24.84	28.00	28.78	32.73	36.67	40.61	44.54	48.48	53.37	117
11.22	12.81	14.40	15.98	16.46	17.56	20.73	23.88	27.04	27.83	31.77	35.71	39.65	43.59	47.53	52.42	118
10.23	11.83	13.42	15.01	15.49	16.59	19.76	22.92	26.08	26.87	30.81	34.76	38.70	42.64	46.58	51.46	119
9.23	10.84	12.44	14.03	14.51	15.62	18.79	21.96	25.12	25.91	29.85	33.80	37.74	41.68	45.63	50.51	120
-	-	-	10.00	10.49	11.63	14.85	18.05	21.23	22.03	25.99	29.95	33.90	37.85	41.80	46.69	121
-	-	-	-	-	-	-	14.02	17.26	18.06	22.07	26.05	30.02	33.98	37.94	42.84	122
8.01	9.65	11.26	12.86	13.34	14.46	17.64	20.82	23.98	24.77	28.73	32.67	36.62	40.56	44.51	49.39	123
9.37	10.98	12.58	14.17	14.65	15.76	18.94	22.10	25.27	26.06	30.00	33.95	37.89	41.84	45.78	50.66	124
10.38	11.97	13.57	15.16	15.63	16.74	19.91	23.07	26.23	27.02	30.97	34.91	38.85	42.79	46.73	51.62	125
11.37	12.96	14.55	16.13	16.61	17.71	20.88	24.03	27.19	27.98	31.92	35.86	39.81	43.75	47.69	52.57	126
12.35	13.93	15.52	17.10	17.57	18.68	21.84	24.99	28.15	28.94	32.88	36.82	40.76	44.70	48.64	53.52	127
13.32	14.90	16.48	18.06	18.54	19.64	22.80	25.95	29.10	29.89	33.83	37.77	41.71	45.65	49.59	54.47	128
9.51	11.12	12.72	14.32	14.80	15.91	19.09	22.25	25.42	26.21	30.16	34.10	38.05	41.99	45.93	50.82	129
10.52	12.12	13.71	15.30	15.78	16.89	20.06	23.22	26.38	27.17	31.12	35.06	39.00	42.95	46.89	51.77	130
8.28	9.92	11.54	13.15	13.63	14.75	17.94	21.11	24.28	25.07	29.03	32.98	36.92	40.87	44.81	49.70	131
-	-	-	-	-	-	11.25	14.57	17.82	18.62	22.64	26.63	30.60	34.57	38.53	43.44	132
11.51	13.10	14.69	16.28	16.75	17.86	21.02	24.18	27.34	28.13	32.08	36.02	39.96	43.90	47.84	52.72	133
12.50	14.08	15.67	17.25	17.72	18.83	21.99	25.15	28.30	29.09	33.03	36.97	40.91	44.85	48.79	53.68	134
-	-	8.87	10.54	11.03	12.18	15.41	18.62	21.81	22.61	26.58	30.54	34.50	38.45	42.40	47.29	135
9.65	11.26	12.86	14.46	14.94	16.05	19.23	22.40	25.57	26.36	30.31	34.25	38.20	42.14	46.08	50.97	136
8.42	10.06	11.68	13.29	13.77	14.89	18.08	21.26	24.43	25.22	29.17	33.13	37.07	41.02	44.96	49.85	137
10.66	12.26	13.86	15.45	15.92	17.04	20.21	23.37	26.53	27.32	31.27	35.21	39.16	43.10	47.04	51.93	138
-	-	-	-	-	-	-	-	-	-	17.03	21.14	25.20	29.22	33.23	38.17	139
11.66	13.25	14.84	16.42	16.90	18.01	21.17	24.33	27.49	28.28	32.23	36.17	40.11	44.05	47.99	52.88	140
9.78	11.40	13.01	14.60	15.08	16.20	19.38	22.55	25.71	26.50	30.46	34.40	38.35	42.29	46.24	51.12	141
8.55	10.19	11.82	13.43	13.91	15.03	18.22	21.40	24.58	25.37	29.32	33.28	37.22	41.17	45.12	50.01	142
12.64	14.23	15.81	17.40	17.87	18.98	22.14	25.30	28.45	29.24	33.18	37.13	41.07	45.01	48.95	53.83	143
-	-	9.13	10.80	11.30	12.45	15.69	18.91	22.10	22.90	26.87	30.84	34.79	38.75	42.70	47.59	144
10.80	12.40	14.00	15.59	16.07	17.18	20.35	23.52	26.68	27.47	31.42	35.36	39.31	43.25	47.19	52.08	145
-	-	-	-	-	-	11.77	15.10	18.37	19.18	23.20	27.20	31.18	35.16	39.12	44.03	146
8.68	10.33	11.95	13.57	14.05	15.17	18.37	21.55	24.72	25.51	29.47	33.43	37.37	41.32	45.27	50.16	147
11.80	13.39	14.98	16.57	17.05	18.16	21.32	24.48	27.64	28.43	32.38	36.32	40.27	44.21	48.15	53.03	148
9.92	11.54	13.15	14.75	15.23	16.34	19.52	22.70	25.86	26.65	30.61	34.55	38.50	42.45	46.39	51.28	149
-	-	-	-	-	-	-	-	-	-	17.55	21.69	25.75	29.79	33.80	38.75	150
<b>1.00</b>	<b>1.00</b>	<b>1.00</b>	<b>1.00</b>	<b>1.00</b>	<b>1.10</b>	<b>1.10</b>	<b>1.10</b>	<b>1.10</b>	<b>1.20</b>	<b>1.20</b>	<b>1.20</b>	<b>1.20</b>	<b>1.20</b>	<b>1.20</b>	<b>1.20</b>	

# Synchronous Plus Drive 8M

## Selection Tables

Line No.	Drive Ratio	Sprocket Combination				1160 RPM DriveR					1750 RPM DriveR								
		DRIVER		DRIVEN		DN RPM	Horsepower				DN RPM	Horsepower				720	800	880	
		Teeth	PD (in)	Teeth	PD (in)		20MM	30MM	50MM	85MM		20MM	30MM	50MM	85MM	0.90	0.90	0.90	
<b>Multiply Horsepower Listed by Length Correction Factor to Find Horsepower Rating --&gt;</b>																			
151	2.77	26	2.607	72	7.218	419	5.28	8.35	-	-	632	7.17	11.33	-	-	6.01	7.69	9.32	
152	2.80	40	4.010	112	11.229	414	8.99	14.20	24.63	42.88	625	12.15	19.20	33.29	57.96	-	-	-	
153	2.81	32	3.208	90	9.023	412	6.92	10.94	18.97	-	622	9.39	14.83	25.71	-	-	-	7.12	
154	2.86	28	2.807	80	8.020	406	5.84	9.23	16.00	-	612	7.93	12.52	21.71	-	-	-	6.74	8.42
155	2.91	22	2.206	64	6.416	399	4.13	6.53	-	-	602	5.62	8.88	-	-	7.09	8.72	10.34	
156	2.95	38	3.810	112	11.229	394	8.48	13.40	23.24	40.47	594	11.48	18.13	31.44	54.75	-	-	-	
157	3.00	24	2.406	72	7.218	387	4.71	7.45	-	-	583	6.40	10.12	-	-	6.14	7.82	9.46	
158	3.00	30	3.008	90	9.023	387	6.39	10.09	17.49	-	583	8.66	13.69	23.73	-	-	-	7.25	
159	3.00	48	4.812	144	14.437	387	10.94	17.29	29.97	52.19	583	14.74	23.30	40.39	70.33	-	-	-	
160	3.00	64	6.416	192	19.249	387	14.57	23.03	39.93	69.51	583	19.52	30.84	53.48	93.12	-	-	-	
161	3.08	26	2.607	80	8.020	377	5.28	8.35	-	-	569	7.17	11.33	-	-	-	-	6.87	8.55
162	3.11	36	3.609	112	11.229	373	7.97	12.60	21.84	38.02	562	10.79	17.05	29.57	51.48	-	-	-	
163	3.21	28	2.807	90	9.023	361	5.84	9.23	16.00	-	544	7.93	12.52	21.71	-	-	-	7.38	
164	3.27	22	2.206	72	7.218	354	4.13	6.53	-	-	535	5.62	8.88	-	-	6.27	7.95	9.59	
165	3.27	44	4.411	144	14.437	354	9.98	15.76	27.34	47.59	535	13.47	21.28	36.90	64.24	-	-	-	
166	3.29	34	3.409	112	11.229	352	7.45	11.77	20.42	35.54	531	10.10	15.95	27.66	48.15	-	-	-	
167	3.33	24	2.406	80	8.020	348	4.71	7.45	-	-	525	6.40	10.12	-	-	-	-	7.00	8.68
168	3.43	56	5.614	192	19.249	338	12.80	20.22	35.06	61.04	510	17.19	27.17	47.11	82.01	-	-	-	
169	3.46	26	2.607	90	9.023	335	5.28	8.35	-	-	506	7.17	11.33	-	-	-	-	7.50	
170	3.50	32	3.208	112	11.229	331	6.92	10.94	18.97	-	500	9.39	14.83	25.71	-	-	-	-	
171	3.60	40	4.010	144	14.437	322	8.99	14.20	24.63	42.88	486	12.15	19.20	33.29	57.96	-	-	-	
172	3.64	22	2.206	80	8.020	319	4.13	6.53	-	-	481	5.62	8.88	-	-	-	-	7.12	8.81
173	3.73	30	3.008	112	11.229	311	6.39	10.09	17.49	-	469	8.66	13.69	23.73	-	-	-	-	
174	3.75	24	2.406	90	9.023	309	4.71	7.45	-	-	467	6.40	10.12	-	-	-	-	7.63	
175	3.79	38	3.810	144	14.437	306	8.48	13.40	23.24	40.47	462	11.48	18.13	31.44	54.75	-	-	-	
176	4.00	28	2.807	112	11.229	290	5.84	9.23	16.00	-	438	7.93	12.52	21.71	-	-	-	-	
177	4.00	36	3.609	144	14.437	290	7.97	12.60	21.84	38.02	438	10.79	17.05	29.57	51.48	-	-	-	
178	4.00	48	4.812	192	19.249	290	10.94	17.29	29.97	52.19	438	14.74	23.30	40.39	70.33	-	-	-	
179	4.09	22	2.206	90	9.023	284	4.13	6.53	-	-	428	5.62	8.88	-	-	-	-	7.75	
180	4.24	34	3.409	144	14.437	274	7.45	11.77	20.42	35.54	413	10.10	15.95	27.66	48.15	-	-	-	
181	4.31	26	2.607	112	11.229	269	5.28	8.35	-	-	406	7.17	11.33	-	-	-	-	-	
182	4.36	44	4.411	192	19.249	266	9.98	15.76	27.34	47.59	401	13.47	21.28	36.90	64.24	-	-	-	
183	4.50	32	3.208	144	14.437	258	6.92	10.94	18.97	-	389	9.39	14.83	25.71	-	-	-	-	
184	4.67	24	2.406	112	11.229	249	4.71	7.45	-	-	375	6.40	10.12	-	-	-	-	-	
185	4.80	30	3.008	144	14.437	242	6.39	10.09	17.49	-	365	8.66	13.69	23.73	-	-	-	-	
186	4.80	40	4.010	192	19.249	242	8.99	14.20	24.63	42.88	365	12.15	19.20	33.29	57.96	-	-	-	
187	5.05	38	3.810	192	19.249	230	8.48	13.40	23.24	40.47	346	11.48	18.13	31.44	54.75	-	-	-	
188	5.09	22	2.206	112	11.229	228	4.13	6.53	-	-	344	5.62	8.88	-	-	-	-	-	
189	5.14	28	2.807	144	14.437	226	5.84	9.23	16.00	-	340	7.93	12.52	21.71	-	-	-	-	
190	5.33	36	3.609	192	19.249	218	7.97	12.60	21.84	38.02	328	10.79	17.05	29.57	51.48	-	-	-	
191	5.54	26	2.607	144	14.437	209	5.28	8.35	-	-	316	7.17	11.33	-	-	-	-	-	
192	5.65	34	3.409	192	19.249	205	7.45	11.77	20.42	35.54	310	10.10	15.95	27.66	48.15	-	-	-	
193	6.00	24	2.406	144	14.437	193	4.71	7.45	-	-	292	6.40	10.12	-	-	-	-	-	
194	6.00	32	3.208	192	19.249	193	6.92	10.94	18.97	-	292	9.39	14.83	25.71	-	-	-	-	
195	6.40	30	3.008	192	19.249	181	6.39	10.09	17.49	-	273	8.66	13.69	23.73	-	-	-	-	
196	6.55	22	2.206	144	14.437	177	4.13	6.53	-	-	267	5.62	8.88	-	-	-	-	-	
197	6.86	28	2.807	192	19.249	169	5.84	9.23	16.00	-	255	7.93	12.52	21.71	-	-	-	-	
198	7.38	26	2.607	192	19.249	157	5.28	8.35	-	-	237	7.17	11.33	-	-	-	-	-	
199	8.00	24	2.406	192	19.249	145	4.71	7.45	-	-	219	6.40	10.12	-	-	-	-	-	
200	8.73	22	2.206	192	19.249	133	4.13	6.53	-	-	201	5.62	8.88	-	-	-	-	-	
<b>Multiply Horsepower Listed by Length Correction Factor to Find Horsepower Rating --&gt;</b>																			
																<b>0.90</b>	<b>0.90</b>	<b>0.90</b>	

# Synchronous Plus Drive 8M

## Selection Tables

CENTER DISTANCE																			Line No.
BELT LENGTH – Length Correction Factor																			
960	1040	1120	1200	1224	1280	1440	1600	1760	1800	2000	2200	2400	2600	2800	3048	3280	3600	4400	
1.00	1.00	1.00	1.00	1.00	1.10	1.10	1.10	1.10	1.20	1.20	1.20	1.20	1.20	1.20	1.20	1.20	1.20	1.20	
10.94	12.54	14.14	15.74	16.21	17.33	20.50	23.67	26.83	27.62	31.57	35.52	39.46	43.40	47.35	52.23	56.80	63.11	78.86	151
-	-	9.38	11.06	11.56	12.72	15.97	19.19	22.39	23.18	27.16	31.13	35.09	39.05	43.00	47.90	52.47	58.79	74.56	152
8.81	10.46	12.09	13.71	14.19	15.31	18.51	21.69	24.87	25.66	29.62	33.57	37.53	41.47	45.42	50.31	54.88	61.19	76.95	153
10.06	11.68	13.29	14.89	15.37	16.49	19.67	22.84	26.01	26.80	30.76	34.71	38.65	42.60	46.54	51.43	56.00	62.31	78.07	154
11.94	13.54	15.13	16.72	17.19	18.30	21.47	24.63	27.79	28.58	32.53	36.47	40.42	44.36	48.30	53.19	57.76	64.06	79.81	155
-	-	9.51	11.20	11.70	12.85	16.11	19.33	22.53	23.33	27.31	31.28	35.24	39.19	43.15	48.05	52.63	58.94	74.71	156
11.08	12.69	14.29	15.88	16.36	17.47	20.65	23.82	26.98	27.77	31.72	35.67	39.61	43.56	47.50	52.39	56.96	63.26	79.02	157
8.94	10.60	12.23	13.85	14.33	15.46	18.66	21.84	25.02	25.81	29.77	33.72	37.68	41.62	45.57	50.46	55.04	61.34	77.11	158
-	-	-	-	-	-	12.29	15.64	18.92	19.73	23.76	27.77	31.76	35.74	39.71	44.62	49.21	55.54	71.33	159
-	-	-	-	-	-	-	-	-	13.78	18.07	22.22	26.30	30.35	34.36	39.32	43.94	50.30	66.15	160
10.19	11.82	13.43	15.03	15.51	16.63	19.82	22.99	26.16	26.95	30.91	34.86	38.80	42.75	46.69	51.58	56.16	62.46	78.22	161
-	-	9.64	11.33	11.83	12.98	16.25	19.47	22.67	23.47	27.45	31.42	35.39	39.34	43.30	48.20	52.78	59.09	74.86	162
9.07	10.73	12.37	13.99	14.47	15.60	18.80	21.99	25.16	25.96	29.92	33.87	37.83	41.77	45.72	50.61	55.19	61.50	77.26	163
11.22	12.83	14.43	16.02	16.50	17.62	20.79	23.96	27.13	27.92	31.87	35.82	39.76	43.71	47.65	52.54	57.11	63.42	79.17	164
-	-	-	-	-	-	12.54	15.90	19.19	20.00	24.04	28.06	32.05	36.03	40.00	44.92	49.51	55.84	71.64	165
-	-	9.77	11.46	11.96	13.12	16.38	19.61	22.81	23.61	27.60	31.57	35.53	39.49	43.45	48.35	52.93	59.24	75.02	166
10.33	11.95	13.57	15.17	15.65	16.77	19.96	23.14	26.31	27.10	31.05	35.01	38.95	42.90	46.85	51.73	56.31	62.61	78.37	167
-	-	-	-	-	-	-	-	13.38	14.28	18.59	22.76	26.85	30.90	34.93	39.89	44.52	50.88	66.74	168
9.20	10.86	12.50	14.12	14.61	15.74	18.94	22.13	25.31	26.10	30.07	34.02	37.97	41.92	45.87	50.76	55.34	61.65	77.41	169
-	8.15	9.90	11.59	12.09	13.25	16.52	19.75	22.96	23.76	27.74	31.71	35.68	39.64	43.60	48.50	53.08	59.39	75.17	170
-	-	-	-	-	-	12.80	16.17	19.46	20.27	24.32	28.34	32.34	36.32	40.29	45.21	49.81	56.14	71.94	171
10.46	12.09	13.71	15.31	15.80	16.92	20.10	23.28	26.45	27.25	31.20	35.16	39.10	43.05	47.00	51.89	56.46	62.77	78.53	172
-	8.27	10.02	11.72	12.22	13.38	16.66	19.89	23.10	23.90	27.89	31.86	35.83	39.79	43.74	48.65	53.23	59.54	75.32	173
9.33	11.00	12.64	14.26	14.75	15.88	19.08	22.27	25.45	26.25	30.21	34.17	38.12	42.07	46.02	50.92	55.49	61.80	77.57	174
-	-	-	-	-	-	12.92	16.30	19.59	20.41	24.46	28.48	32.48	36.46	40.44	45.36	49.95	56.28	72.09	175
-	8.39	10.15	11.85	12.35	13.52	16.79	20.03	23.24	24.04	28.03	32.01	35.97	39.94	43.89	48.79	53.38	59.69	75.47	176
-	-	-	-	-	-	13.05	16.43	19.73	20.55	24.60	28.62	32.62	36.61	40.58	45.50	50.10	56.43	72.24	177
-	-	-	-	-	-	-	-	13.87	14.77	19.11	23.29	27.40	31.46	35.49	40.46	45.09	51.46	67.33	178
9.46	11.13	12.77	14.40	14.89	16.02	19.23	22.42	25.60	26.39	30.36	34.32	38.27	42.22	46.17	51.07	55.64	61.95	77.72	179
-	-	-	-	-	-	13.18	16.56	19.86	20.68	24.74	28.76	32.76	36.75	40.73	45.65	50.25	56.58	72.39	180
-	8.51	10.28	11.98	12.48	13.65	16.93	20.17	23.38	24.18	28.17	32.15	36.12	40.08	44.04	48.94	53.53	59.84	75.63	181
-	-	-	-	-	-	-	-	14.11	15.02	19.37	23.56	27.67	31.73	35.77	40.74	45.38	51.75	67.62	182
-	-	-	-	-	9.72	13.30	16.69	20.00	20.82	24.88	28.90	32.91	36.90	40.87	45.80	50.40	56.73	72.54	183
-	8.64	10.40	12.11	12.61	13.78	17.07	20.31	23.52	24.32	28.32	32.30	36.27	40.23	44.19	49.09	53.68	60.00	75.78	184
-	-	-	-	-	9.84	13.43	16.82	20.13	20.95	25.02	29.04	33.05	37.04	41.02	45.94	50.54	56.88	72.69	185
-	-	-	-	-	-	-	-	14.36	15.26	19.62	23.82	27.94	32.01	36.05	41.02	45.66	52.04	67.92	186
-	-	-	-	-	-	-	-	14.48	15.39	19.75	23.95	28.07	32.14	36.18	41.17	45.81	52.18	68.07	187
-	8.76	10.53	12.24	12.74	13.91	17.20	20.45	23.66	24.47	28.46	32.44	36.41	40.38	44.34	49.24	53.83	60.15	75.93	188
-	-	-	-	-	9.96	13.56	16.96	20.27	21.09	25.15	29.18	33.19	37.18	41.16	46.09	50.69	57.03	72.84	189
-	-	-	-	-	-	-	-	14.60	15.51	19.88	24.08	28.21	32.28	36.32	41.31	45.95	52.33	68.21	190
-	-	-	-	-	10.07	13.68	17.09	20.40	21.22	25.29	29.32	33.33	37.33	41.31	46.24	50.84	57.17	72.99	191
-	-	-	-	-	-	-	-	14.72	15.63	20.01	24.22	28.34	32.42	36.46	41.45	46.09	52.47	68.36	192
-	-	-	-	-	10.19	13.81	17.22	20.54	21.36	25.43	29.46	33.48	37.47	41.45	46.38	50.98	57.32	73.14	193
-	-	-	-	-	-	-	-	14.84	15.75	20.13	24.35	28.48	32.56	36.60	41.59	46.23	52.62	68.51	194
-	-	-	-	-	-	-	-	14.96	15.88	20.26	24.48	28.61	32.69	36.74	41.73	46.38	52.76	68.65	195
-	-	-	-	-	10.31	13.93	17.35	20.67	21.49	25.57	29.60	33.62	37.61	41.60	46.53	51.13	57.47	73.29	196
-	-	-	-	-	-	-	-	15.08	16.00	20.39	24.61	28.75	32.83	36.88	41.87	46.52	52.90	68.80	197
-	-	-	-	-	-	-	-	15.20	16.12	20.52	24.74	28.88	32.97	37.02	42.01	46.66	53.05	68.95	198
-	-	-	-	-	-	-	-	15.32	16.24	20.64	24.87	29.01	33.10	37.16	42.15	46.80	53.19	69.09	199
-	-	-	-	-	-	-	11.48	15.44	16.36	20.77	25.00	29.15	33.24	37.29	42.29	46.94	53.33	69.24	200
<b>1.00</b>	<b>1.00</b>	<b>1.00</b>	<b>1.00</b>	<b>1.00</b>	<b>1.10</b>	<b>1.10</b>	<b>1.10</b>	<b>1.10</b>	<b>1.20</b>	<b>1.20</b>	<b>1.20</b>	<b>1.20</b>	<b>1.20</b>	<b>1.20</b>	<b>1.20</b>	<b>1.20</b>	<b>1.20</b>	<b>1.20</b>	<b>1.20</b>

# Synchronous Plus Drive 14M

## Selection Tables

Line No.	Drive Ratio	Sprocket Combination				1160 RPM DriveR						1750 RPM DriveR							
		DRIVER		DRIVEN		DN	Horsepower					DN	Horsepower					966	1190
		Teeth	PD (in)	Teeth	PD (in)	RPM	40MM	55MM	85MM	115MM	170MM	RPM	40MM	55MM	85MM	115MM	170MM		
Multiply Horsepower Listed by Length Correction Factor to Find Horsepower Rating →																	0.80	0.80	
1	1.00	28	4.913	28	4.913	1160	27.8	40.0	64.5	89.2	-	1750	37.9	54.6	87.9	121.6	-	11.30	15.71
2	1.00	29	5.088	29	5.088	1160	29.3	42.2	68.1	94.2	-	1750	39.9	57.4	92.5	128.0	-	11.02	15.43
3	1.00	30	5.263	30	5.263	1160	30.9	44.4	71.6	99.0	-	1750	41.8	60.2	97.0	134.3	-	10.75	15.16
4	1.00	32	5.614	32	5.614	1160	33.8	48.7	78.5	108.6	-	1750	45.7	65.8	105.9	146.6	-	10.20	14.61
5	1.00	34	5.965	34	5.965	1160	36.8	52.9	85.3	118.0	-	1750	49.4	71.1	114.6	158.6	-	9.65	14.06
6	1.00	36	6.316	36	6.316	1160	39.6	57.1	91.9	127.2	191.0	1750	53.0	76.4	123.0	170.2	255.6	9.09	13.50
7	1.00	38	6.667	38	6.667	1160	42.4	61.1	98.4	136.1	204.4	1750	56.6	81.5	131.3	181.6	272.6	8.54	12.95
8	1.00	40	7.018	40	7.018	1160	45.2	65.0	104.7	144.9	217.6	1750	60.0	86.4	139.3	192.7	289.3	-	12.40
9	1.00	44	7.720	44	7.720	1160	50.5	72.7	117.1	162.0	243.2	1750	66.7	96.0	154.7	214.1	321.4	-	11.30
10	1.00	48	8.421	48	8.421	1160	55.6	80.0	128.9	178.4	267.9	1750	73.1	105.2	169.5	234.5	352.1	-	10.20
11	1.00	52	9.123	52	9.123	1160	60.5	87.1	140.4	194.2	291.7	1750	79.1	113.9	183.6	254.0	381.4	-	-
12	1.00	56	9.825	56	9.825	1160	65.3	94.0	151.4	209.5	314.6	1750	84.9	122.3	197.1	272.7	409.4	-	-
13	1.00	60	10.527	60	10.527	1160	69.9	100.6	162.1	224.3	336.8	1750	90.5	130.4	210.0	290.6	436.3	-	-
14	1.00	64	11.229	64	11.229	1160	74.3	107.0	172.5	238.6	358.3	1750	95.9	138.1	222.4	307.7	462.1	-	-
15	1.00	68	11.930	68	11.930	1160	78.7	113.3	182.5	252.5	379.1	1750	101.0	145.5	234.4	324.3	486.9	-	-
16	1.00	72	12.632	72	12.632	1160	82.8	119.3	192.2	265.9	399.3	1750	106.0	152.6	245.8	340.1	510.7	-	-
17	1.00	80	14.036	80	14.036	1160	90.9	130.8	210.8	291.6	437.9	1750	115.3	166.0	267.5	370.1	555.7	-	-
18	1.03	29	5.088	30	5.263	1121	29.3	42.2	68.1	94.2	-	1692	39.9	57.4	92.5	128.0	-	10.89	15.29
19	1.04	28	4.913	29	5.088	1120	27.8	40.0	64.5	89.2	-	1690	37.9	54.6	87.9	121.6	-	11.16	15.57
20	1.05	38	6.667	40	7.018	1102	42.4	61.1	98.4	136.1	204.4	1662	56.6	81.5	131.3	181.6	272.7	8.27	12.68
21	1.06	36	6.316	38	6.667	1099	39.6	57.1	91.9	127.2	191.0	1658	53.0	76.4	123.0	170.2	255.6	8.82	13.23
22	1.06	34	5.965	36	6.316	1096	36.8	52.9	85.3	118.0	-	1653	49.4	71.1	114.6	158.6	-	9.37	13.78
23	1.06	68	11.930	72	12.632	1096	78.7	113.3	182.5	252.5	379.1	1653	101.0	145.5	234.4	324.3	486.9	-	-
24	1.06	32	5.614	34	5.965	1092	33.8	48.7	78.5	108.6	-	1647	45.7	65.8	105.9	146.6	-	9.92	14.33
25	1.06	64	11.229	68	11.930	1092	74.3	107.0	172.5	238.6	358.3	1647	95.9	138.1	222.4	307.7	462.1	-	-
26	1.07	30	5.263	32	5.614	1088	30.9	44.4	71.6	99.0	-	1641	41.8	60.2	97.0	134.3	-	10.47	14.88
27	1.07	60	10.527	64	11.229	1088	69.9	100.6	162.1	224.3	336.8	1641	90.5	130.4	210.0	290.6	436.3	-	-
28	1.07	28	4.913	30	5.263	1083	27.8	40.0	64.5	89.2	-	1633	37.9	54.6	87.9	121.6	-	11.02	15.43
29	1.07	56	9.825	60	10.527	1083	65.3	94.0	151.4	209.5	314.6	1633	84.9	122.3	197.1	272.7	409.4	-	-
30	1.08	52	9.123	56	9.825	1077	60.5	87.1	140.4	194.2	291.7	1625	79.1	113.9	183.6	254.0	381.4	-	-
31	1.08	48	8.421	52	9.123	1071	55.6	80.0	128.9	178.4	267.9	1615	73.1	105.2	169.5	234.5	352.1	-	-
32	1.09	44	7.720	48	8.421	1063	50.5	72.7	117.1	162.0	243.2	1604	66.7	96.0	154.7	214.1	321.4	-	10.74
33	1.10	40	7.018	44	7.720	1055	45.2	65.0	104.7	144.9	217.6	1591	60.0	86.4	139.3	192.7	289.3	-	11.85
34	1.10	29	5.088	32	5.614	1051	29.3	42.2	68.1	94.2	-	1586	39.9	57.4	92.5	128.0	-	10.61	15.02
35	1.11	36	6.316	40	7.018	1044	39.6	57.1	91.9	127.2	191.0	1575	53.0	76.4	123.0	170.2	255.6	8.54	12.95
36	1.11	72	12.632	80	14.036	1044	82.8	119.3	192.2	265.9	399.3	1575	106.0	152.6	245.8	340.1	510.7	-	-
37	1.12	34	5.965	38	6.667	1038	36.8	52.9	85.3	118.0	-	1566	49.4	71.1	114.6	158.6	-	9.09	13.50
38	1.13	32	5.614	36	6.316	1031	33.8	48.7	78.5	108.6	-	1556	45.7	65.8	105.9	146.6	-	9.64	14.05
39	1.13	64	11.229	72	12.632	1031	74.3	107.0	172.5	238.6	358.3	1556	95.9	138.1	222.4	307.7	462.1	-	-
40	1.13	80	14.036	90	15.790	1031	90.9	130.8	210.8	291.6	437.9	1556	115.3	166.0	267.5	370.1	555.7	-	-
41	1.13	30	5.263	34	5.965	1024	30.9	44.4	71.6	99.0	-	1544	41.8	60.2	97.0	134.3	-	10.19	14.60
42	1.13	60	10.527	68	11.930	1024	69.9	100.6	162.1	224.3	336.8	1544	90.5	130.4	210.0	290.6	436.3	-	-
43	1.14	28	4.913	32	5.614	1015	27.8	40.0	64.5	89.2	-	1531	37.9	54.6	87.9	121.6	-	10.74	15.15
44	1.14	56	9.825	64	11.229	1015	65.3	94.0	151.4	209.5	314.6	1531	84.9	122.3	197.1	272.7	409.4	-	-
45	1.15	52	9.123	60	10.527	1005	60.5	87.1	140.4	194.2	291.7	1517	79.1	113.9	183.6	254.0	381.4	-	-
46	1.16	38	6.667	44	7.720	1002	42.4	61.1	98.4	136.1	204.4	1511	56.6	81.5	131.3	181.6	272.7	-	12.11
47	1.17	48	8.421	56	9.825	994	55.6	80.0	128.9	178.4	267.9	1500	73.1	105.2	169.5	234.5	352.1	-	-
48	1.17	29	5.088	34	5.965	989	29.3	42.2	68.1	94.2	-	1493	39.9	57.4	92.5	128.0	-	10.33	14.74
49	1.18	34	5.965	40	7.018	986	36.8	52.9	85.3	118.0	-	1488	49.4	71.1	114.6	158.6	-	8.80	13.22
50	1.18	68	11.930	80	14.036	986	78.7	113.3	182.5	252.5	379.1	1488	101.0	145.5	234.4	324.3	486.9	-	-
51	1.18	44	7.720	52	9.123	982	50.5	72.7	117.1	162.0	243.2	1481	66.7	96.0	154.7	214.1	321.4	-	10.17
Multiply Horsepower Listed by Length Correction Factor to Find Horsepower Rating →																	0.80	0.80	

# Synchronous Plus Drive 14M

## Selection Tables

CENTER DISTANCE																				Line No.
BELT LENGTH - Length Correction Factor																				
1400	1610	1778	1890	2100	2310	2450	2590	2800	3150	3360	3500	3850	4326	4578	4956	5320	5740	6160	6860	
0.90	0.90	0.95	0.95	1.00	1.00	1.00	1.05	1.05	1.05	1.10	1.10	1.10	1.10	1.10	1.10	1.10	1.10	1.10	1.10	
19.84	23.98	27.28	29.49	33.62	37.76	40.51	43.27	47.40	54.29	58.43	61.18	68.07	77.44	82.40	89.84	97.01	105.28	113.54	127.32	1
19.57	23.70	27.01	29.21	33.35	37.48	40.24	42.99	47.13	54.02	58.15	60.91	67.80	77.17	82.13	89.57	96.73	105.00	113.27	127.05	2
19.29	23.43	26.73	28.94	33.07	37.20	39.96	42.72	46.85	53.74	57.87	60.63	67.52	76.89	81.85	89.29	96.46	104.72	112.99	126.77	3
18.74	22.87	26.18	28.39	32.52	36.65	39.41	42.17	46.30	53.19	57.32	60.08	66.97	76.34	81.30	88.74	95.91	104.17	112.44	126.22	4
18.19	22.32	25.63	27.83	31.97	36.10	38.86	41.61	45.75	52.64	56.77	59.53	66.42	75.79	80.75	88.19	95.35	103.62	111.89	125.67	5
17.64	21.77	25.08	27.28	31.42	35.55	38.31	41.06	45.20	52.09	56.22	58.98	65.87	75.24	80.20	87.64	94.80	103.07	111.34	125.12	6
17.09	21.22	24.53	26.73	30.87	35.00	37.76	40.51	44.65	51.54	55.67	58.43	65.31	74.69	79.65	87.09	94.25	102.52	110.79	124.57	7
16.54	20.67	23.98	26.18	30.31	34.45	37.20	39.96	44.09	50.98	55.12	57.87	64.76	74.13	79.09	86.54	93.70	101.97	110.24	124.02	8
15.43	19.57	22.87	25.08	29.21	33.35	36.10	38.86	42.99	49.88	54.02	56.77	63.66	73.03	77.99	85.43	92.60	100.87	109.13	122.91	9
14.33	18.46	21.77	23.98	28.11	32.24	35.00	37.76	41.89	48.78	52.91	55.67	62.56	71.93	76.89	84.33	91.50	99.76	108.03	121.81	10
13.23	17.36	20.67	22.87	27.01	31.14	33.90	36.65	40.79	47.68	51.81	54.57	61.46	70.83	75.79	83.23	90.39	98.66	106.93	120.71	11
12.13	16.26	19.57	21.77	25.91	30.04	32.80	35.55	39.68	46.57	50.71	53.46	60.35	69.72	74.68	82.13	89.29	97.56	105.83	119.61	12
-	15.16	18.46	20.67	24.80	28.94	31.69	34.45	38.58	45.47	49.61	52.36	59.25	68.62	73.58	81.02	88.19	96.46	104.72	118.50	13
-	14.06	17.36	19.57	23.70	27.83	30.59	33.35	37.48	44.37	48.50	51.26	58.15	67.52	72.48	79.92	87.09	95.35	103.62	117.40	14
-	-	16.26	18.46	22.60	26.73	29.49	32.24	36.38	43.27	47.40	50.16	57.05	66.42	71.38	78.82	85.98	94.25	102.52	116.30	15
-	-	15.16	17.36	21.50	25.63	28.39	31.14	35.28	42.17	46.30	49.06	55.94	65.31	70.28	77.72	84.88	93.15	101.42	115.20	16
-	-	-	-	19.29	23.43	26.18	28.94	33.07	39.96	44.09	46.85	53.74	63.11	68.07	75.51	82.68	90.94	99.21	112.99	17
19.43	23.56	26.87	29.07	33.21	37.34	40.10	42.85	46.99	53.88	58.01	60.77	67.66	77.03	81.99	89.43	96.59	104.86	113.13	126.91	18
19.70	23.84	27.15	29.35	33.48	37.62	40.37	43.13	47.26	54.15	58.29	61.04	67.93	77.30	82.26	89.70	96.87	105.14	113.41	127.18	19
16.81	20.94	24.25	26.46	30.59	34.72	37.48	40.24	44.37	51.26	55.39	58.15	65.04	74.41	79.37	86.81	93.98	102.24	110.51	124.29	20
17.36	21.50	24.80	27.01	31.14	35.28	38.03	40.79	44.92	51.81	55.94	58.70	65.59	74.96	79.92	87.36	94.53	102.80	111.06	124.84	21
17.91	22.05	25.35	27.56	31.69	35.83	38.58	41.34	45.47	52.36	56.50	59.25	66.14	75.51	80.47	87.91	95.08	103.35	111.61	125.39	22
-	-	15.70	17.91	22.04	26.18	28.93	31.69	35.82	42.72	46.85	49.60	56.49	65.87	70.83	78.27	85.43	93.70	101.97	115.75	23
18.46	22.60	25.90	28.11	32.24	36.38	39.13	41.89	46.02	52.91	57.05	59.80	66.69	76.06	81.02	88.46	95.63	103.90	112.17	125.94	24
-	13.50	16.81	19.01	23.15	27.28	30.04	32.79	36.93	43.82	47.95	50.71	57.60	66.97	71.93	79.37	86.53	94.80	103.07	116.85	25
19.01	23.15	26.46	28.66	32.79	36.93	39.68	42.44	46.57	53.46	57.60	60.35	67.24	76.61	81.57	89.02	96.18	104.45	112.72	126.50	26
-	14.60	17.91	20.11	24.25	28.38	31.14	33.90	38.03	44.92	49.05	51.81	58.70	68.07	73.03	80.47	87.64	95.90	104.17	117.95	27
19.57	23.70	27.01	29.21	33.35	37.48	40.24	42.99	47.13	54.02	58.15	60.91	67.80	77.17	82.13	89.57	96.73	105.00	113.27	127.05	28
11.57	15.70	19.01	21.22	25.35	29.49	32.24	35.00	39.13	46.02	50.16	52.91	59.80	69.17	74.13	81.57	88.74	97.01	105.27	119.05	29
12.67	16.81	20.12	22.32	26.45	30.59	33.34	36.10	40.23	47.12	51.26	54.01	60.90	70.27	75.24	82.68	89.84	98.11	106.38	120.16	30
13.78	17.91	21.22	23.42	27.56	31.69	34.45	37.20	41.34	48.23	52.36	55.12	62.01	71.38	76.34	83.78	90.94	99.21	107.48	121.26	31
14.88	19.01	22.32	24.53	28.66	32.79	35.55	38.31	42.44	49.33	53.46	56.22	63.11	72.48	77.44	84.88	92.05	100.31	108.58	122.36	32
15.98	20.12	23.42	25.63	29.76	33.90	36.65	39.41	43.54	50.43	54.57	57.32	64.21	73.58	78.54	85.98	93.15	101.42	109.68	123.46	33
19.15	23.29	26.59	28.80	32.93	37.07	39.82	42.58	46.71	53.60	57.74	60.49	67.38	76.75	81.71	89.15	96.32	104.59	112.85	126.63	34
17.08	21.22	24.53	26.73	30.86	35.00	37.75	40.51	44.64	51.53	55.67	58.42	65.31	74.68	79.64	87.09	94.25	102.52	110.79	124.57	35
-	-	-	16.24	20.38	24.52	27.27	30.03	34.17	41.06	45.19	47.95	54.84	64.21	69.17	76.61	83.78	92.04	100.31	114.09	36
17.63	21.77	25.08	27.28	31.42	35.55	38.31	41.06	45.20	52.09	56.22	58.98	65.87	75.24	80.20	87.64	94.80	103.07	111.34	125.12	37
18.19	22.32	25.63	27.83	31.97	36.10	38.86	41.61	45.75	52.64	56.77	59.53	66.42	75.79	80.75	88.19	95.35	103.62	111.89	125.67	38
-	-	16.24	18.45	22.59	26.72	29.48	32.24	36.37	43.26	47.40	50.15	57.04	66.41	71.37	78.82	85.98	94.25	102.52	116.30	39
-	-	-	-	17.89	22.03	24.79	27.55	31.68	38.57	42.71	45.46	52.35	61.73	66.69	74.13	81.29	89.56	97.83	111.61	40
18.74	22.87	26.18	28.38	32.52	36.65	39.41	42.16	46.30	53.19	57.32	60.08	66.97	76.34	81.30	88.74	95.90	104.17	112.44	126.22	41
-	14.04	17.35	19.55	23.69	27.83	30.58	33.34	37.47	44.36	48.50	51.25	58.15	67.52	72.48	79.92	87.08	95.35	103.62	117.40	42
19.29	23.42	26.73	28.93	33.07	37.20	39.96	42.72	46.85	53.74	57.87	60.63	67.52	76.89	81.85	89.29	96.46	104.72	112.99	126.77	43
-	15.14	18.45	20.66	24.79	28.93	31.69	34.44	38.58	45.47	49.60	52.36	59.25	68.62	73.58	81.02	88.19	96.45	104.72	118.50	44
12.11	16.24	19.55	21.76	25.90	30.03	32.79	35.54	39.68	46.57	50.70	53.46	60.35	69.72	74.68	82.12	89.29	97.56	105.82	119.60	45
16.25	20.39	23.69	25.90	30.03	34.17	36.93	39.68	43.82	50.71	54.84	57.60	64.49	73.86	78.82	86.26	93.42	101.69	109.96	123.74	46
13.21	17.35	20.66	22.86	27.00	31.13	33.89	36.65	40.78	47.67	51.81	54.56	61.45	70.82	75.78	83.23	90.39	98.66	106.93	120.71	47
18.87	23.01	26.32	28.52	32.65	36.79	39.54	42.30	46.43	53.32	57.46	60.21	67.10	76.48	81.44	88.88	96.04	104.31	112.58	126.36	48
17.35	21.49	24.80	27.00	31.14	35.27	38.03	40.78	44.92	51.81	55.94	58.70	65.59	74.96	79.92	87.36	94.53	102.79	111.06	124.84	49
-	-	14.57	16.78	20.92	25.06	27.81	30.57	34.71	41.60	45.74	48.49	55.38	64.76	69.72	77.16	84.32	92.59	100.86	114.64	50
14.31	18.45	21.76	23.97	28.10	32.24	34.99	37.75	41.88	48.77	52.91	55.66	62.56	71.93	76.89	84.33	91.49	99.76	108.03	121.81	51
0.90	0.90	0.95	0.95	1.00	1.00	1.00	1.05	1.05	1.05	1.10	1.10	1.10	1.10	1.10	1.10	1.10	1.10	1.10	1.10	

# Synchronous Plus Drive 14M

## Selection Tables

Line No.	Drive Ratio	Sprocket Combination				1160 RPM DriveR						1750 RPM DriveR							
		DRIVER		DRIVEN		DN	Horsepower					DN	Horsepower					966	1190
		Teeth	PD (in)	Teeth	PD (in)		RPM	40MM	55MM	85MM	115MM		170MM	RPM	40MM	55MM	85MM		
<b>Multiply Horsepower Listed by Length Correction Factor to Find Horsepower Rating --&gt;</b>																	<b>0.80</b>	<b>0.80</b>	
52	1.19	32	5.614	38	6.667	977	33.8	48.7	78.5	108.6	-	1474	45.7	65.8	105.9	146.6	-	9.36	13.77
53	1.20	30	5.263	36	6.316	967	30.9	44.4	71.6	99.0	-	1458	41.8	60.2	97.0	134.3	-	9.91	14.32
54	1.20	40	7.018	48	8.421	967	45.2	65.0	104.7	144.9	217.6	1458	60.0	86.4	139.3	192.7	289.3	-	11.28
55	1.20	60	10.527	72	12.632	967	69.9	100.6	162.1	224.3	336.8	1458	90.5	130.4	210.0	290.6	436.3	-	-
56	1.21	28	4.913	34	5.965	955	27.8	40.0	64.5	89.2	-	1441	37.9	54.6	87.9	121.6	-	10.46	14.87
57	1.21	56	9.825	68	11.930	955	65.3	94.0	151.4	209.5	314.6	1441	84.9	122.3	197.1	272.7	409.4	-	-
58	1.22	36	6.316	44	7.720	949	39.6	57.1	91.9	127.2	191.0	1432	53.0	76.4	123.0	170.2	255.6	-	12.38
59	1.23	52	9.123	64	11.229	942	60.5	87.1	140.4	194.2	291.7	1422	79.1	113.9	183.6	254.0	381.4	-	-
60	1.24	29	5.088	36	6.316	934	29.3	42.2	68.1	94.2	-	1410	39.9	57.4	92.5	128.0	-	10.04	14.46
61	1.25	32	5.614	40	7.018	928	33.8	48.7	78.5	108.6	-	1400	45.7	65.8	105.9	146.6	-	9.07	13.49
62	1.25	48	8.421	60	10.527	928	55.6	80.0	128.9	178.4	267.9	1400	73.1	105.2	169.5	234.5	352.1	-	-
63	1.25	64	11.229	80	14.036	928	74.3	107.0	172.5	238.6	358.3	1400	95.9	138.1	222.4	307.7	462.1	-	-
64	1.25	72	12.632	90	15.790	928	82.8	119.3	192.2	265.9	399.3	1400	106.0	152.6	245.8	340.1	510.7	-	-
65	1.26	38	6.667	48	8.421	918	42.4	61.1	98.4	136.1	204.4	1385	56.6	81.5	131.3	181.6	272.7	-	11.54
66	1.27	30	5.263	38	6.667	916	30.9	44.4	71.6	99.0	-	1382	41.8	60.2	97.0	134.3	-	9.62	14.04
67	1.27	44	7.720	56	9.825	911	50.5	72.7	117.1	162.0	243.2	1375	66.7	96.0	154.7	214.1	321.4	-	-
68	1.29	28	4.913	36	6.316	902	27.8	40.0	64.5	89.2	-	1361	37.9	54.6	87.9	121.6	-	10.17	14.59
69	1.29	56	9.825	72	12.632	902	65.3	94.0	151.4	209.5	314.6	1361	84.9	122.3	197.1	272.7	409.4	-	-
70	1.29	34	5.965	44	7.720	896	36.8	52.9	85.3	118.0	-	1352	49.4	71.1	114.6	158.6	-	8.22	12.65
71	1.30	40	7.018	52	9.123	892	45.2	65.0	104.7	144.9	217.6	1346	60.0	86.4	139.3	192.7	289.3	-	10.70
72	1.31	52	9.123	68	11.930	887	60.5	87.1	140.4	194.2	291.7	1338	79.1	113.9	183.6	254.0	381.4	-	-
73	1.31	29	5.088	38	6.667	885	29.3	42.2	68.1	94.2	-	1336	39.9	57.4	92.5	128.0	-	9.75	14.17
74	1.32	68	11.930	90	15.790	876	78.7	113.3	182.5	252.5	379.1	1322	101.0	145.5	234.4	324.3	486.9	-	-
75	1.33	30	5.263	40	7.018	870	30.9	44.4	71.6	99.0	-	1312	41.8	60.2	97.0	134.3	-	9.33	13.75
76	1.33	36	6.316	48	8.421	870	39.6	57.1	91.9	127.2	191.0	1312	53.0	76.4	123.0	170.2	255.6	-	11.80
77	1.33	48	8.421	64	11.229	870	55.6	80.0	128.9	178.4	267.9	1312	73.1	105.2	169.5	234.5	352.1	-	-
78	1.33	60	10.527	80	14.036	870	69.9	100.6	162.1	224.3	336.8	1312	90.5	130.4	210.0	290.6	436.3	-	-
79	1.36	28	4.913	38	6.667	855	27.8	40.0	64.5	89.2	-	1289	37.9	54.6	87.9	121.6	-	9.88	14.30
80	1.36	44	7.720	60	10.527	851	50.5	72.7	117.1	162.0	243.2	1283	66.7	96.0	154.7	214.1	321.4	-	-
81	1.37	38	6.667	52	9.123	848	42.4	61.1	98.4	136.1	204.4	1279	56.6	81.5	131.3	181.6	272.7	-	10.95
82	1.38	32	5.614	44	7.720	844	33.8	48.7	78.5	108.6	-	1273	45.7	65.8	105.9	146.6	-	8.48	12.91
83	1.38	29	5.088	40	7.018	841	29.3	42.2	68.1	94.2	-	1269	39.9	57.4	92.5	128.0	-	9.46	13.88
84	1.38	52	9.123	72	12.632	838	60.5	87.1	140.4	194.2	291.7	1264	79.1	113.9	183.6	254.0	381.4	-	-
85	1.40	40	7.018	56	9.825	829	45.2	65.0	104.7	144.9	217.6	1250	60.0	86.4	139.3	192.7	289.3	-	10.10
86	1.40	80	14.036	112	19.650	829	90.9	130.8	210.8	291.6	437.9	1250	115.3	166.0	267.5	370.1	555.7	-	-
87	1.41	64	11.229	90	15.790	825	74.3	107.0	172.5	238.6	358.3	1244	95.9	138.1	222.4	307.7	462.1	-	-
88	1.41	34	5.965	48	8.421	822	36.8	52.9	85.3	118.0	-	1240	49.4	71.1	114.6	158.6	-	-	12.06
89	1.42	48	8.421	68	11.930	819	55.6	80.0	128.9	178.4	267.9	1235	73.1	105.2	169.5	234.5	352.1	-	-
90	1.43	28	4.913	40	7.018	812	27.8	40.0	64.5	89.2	-	1225	37.9	54.6	87.9	121.6	-	9.59	14.02
91	1.43	56	9.825	80	14.036	812	65.3	94.0	151.4	209.5	314.6	1225	84.9	122.3	197.1	272.7	409.4	-	-
92	1.44	36	6.316	52	9.123	803	39.6	57.1	91.9	127.2	191.0	1212	53.0	76.4	123.0	170.2	255.6	-	11.21
93	1.45	44	7.720	64	11.229	798	50.5	72.7	117.1	162.0	243.2	1203	66.7	96.0	154.7	214.1	321.4	-	-
94	1.47	30	5.263	44	7.720	791	30.9	44.4	71.6	99.0	-	1193	41.8	60.2	97.0	134.3	-	8.73	13.17
95	1.47	38	6.667	56	9.825	787	42.4	61.1	98.4	136.1	204.4	1188	56.6	81.5	131.3	181.6	272.7	-	10.35
96	1.50	32	5.614	48	8.421	773	33.8	48.7	78.5	108.6	-	1167	45.7	65.8	105.9	146.6	-	-	12.32
97	1.50	40	7.018	60	10.527	773	45.2	65.0	104.7	144.9	217.6	1167	60.0	86.4	139.3	192.7	289.3	-	-
98	1.50	48	8.421	72	12.632	773	55.6	80.0	128.9	178.4	267.9	1167	73.1	105.2	169.5	234.5	352.1	-	-
99	1.50	60	10.527	90	15.790	773	69.9	100.6	162.1	224.3	336.8	1167	90.5	130.4	210.0	290.6	436.3	-	-
100	1.52	29	5.088	44	7.720	765	29.3	42.2	68.1	94.2	-	1153	39.9	57.4	92.5	128.0	-	8.86	13.30
101	1.53	34	5.965	52	9.123	758	36.8	52.9	85.3	118.0	-	1144	49.4	71.1	114.6	158.6	-	-	11.47
102	1.54	52	9.123	80	14.036	754	60.5	87.1	140.4	194.2	291.7	1138	79.1	113.9	183.6	254.0	381.4	-	-
<b>Multiply Horsepower Listed by Length Correction Factor to Find Horsepower Rating --&gt;</b>																	<b>0.80</b>	<b>0.80</b>	



# Synchronous Plus Drive 14M

## Selection Tables

CENTER DISTANCE																			Line No.	
BELT LENGTH - Length Correction Factor																				
1400	1610	1778	1890	2100	2310	2450	2590	2800	3150	3360	3500	3850	4326	4578	4956	5320	5740	6160		6860
0.90	0.90	0.95	0.95	1.00	1.00	1.00	1.05	1.05	1.05	1.10	1.10	1.10	1.10	1.10	1.10	1.10	1.10	1.10	1.10	52
17.91	22.04	25.35	27.55	31.69	35.82	38.58	41.34	45.47	52.36	56.49	59.25	66.14	75.51	80.47	87.91	95.08	103.35	111.61	125.39	53
18.46	22.59	25.90	28.11	32.24	36.37	39.13	41.89	46.02	52.91	57.04	59.80	66.69	76.06	81.02	88.46	95.63	103.90	112.16	125.94	54
15.42	19.55	22.86	25.07	29.20	33.34	36.10	38.85	42.99	49.88	54.01	56.77	63.66	73.03	77.99	85.43	92.60	100.86	109.13	122.91	55
--	13.46	16.78	18.99	23.13	27.26	30.02	32.78	36.91	43.81	47.94	50.70	57.59	66.96	71.92	79.36	86.53	94.80	103.07	116.85	56
19.01	23.14	26.45	28.66	32.79	36.93	39.68	42.44	46.57	53.46	57.60	60.35	67.24	76.61	81.57	89.01	96.18	104.45	112.72	126.49	57
--	14.57	17.88	20.09	24.23	28.37	31.12	33.88	38.02	44.91	49.04	51.80	58.69	68.06	73.02	80.47	87.63	95.90	104.17	117.95	58
16.52	20.66	23.97	26.17	30.31	34.44	37.20	39.95	44.09	50.98	55.11	57.87	64.76	74.13	79.09	86.53	93.70	101.97	110.23	124.01	59
11.53	15.67	18.99	21.19	25.33	29.47	32.23	34.98	39.12	46.01	50.15	52.90	59.79	69.17	74.13	81.57	88.73	97.00	105.27	119.05	60
18.59	22.73	26.04	28.24	32.38	36.51	39.27	42.02	46.16	53.05	57.18	59.94	66.83	76.20	81.16	88.60	95.77	104.03	112.30	126.08	61
17.62	21.76	25.07	27.27	31.41	35.54	38.30	41.06	45.19	52.08	56.22	58.97	65.86	75.23	80.19	87.63	94.80	103.07	111.34	125.12	62
12.63	16.78	20.09	22.30	26.44	30.57	33.33	36.09	40.22	47.11	51.25	54.01	60.90	70.27	75.23	82.67	89.84	98.10	106.37	120.15	63
--	--	15.09	17.31	21.45	25.59	28.35	31.11	35.25	42.14	46.28	49.03	55.93	65.30	70.26	77.70	84.87	93.14	101.41	115.19	64
--	--	--	--	18.95	23.10	25.86	28.62	32.76	39.65	43.79	46.55	53.44	62.81	67.78	75.22	82.39	90.66	98.92	112.71	65
15.68	19.82	23.13	25.34	29.48	33.61	36.37	39.12	43.26	50.15	54.28	57.04	63.93	73.30	78.26	85.70	92.87	101.14	109.41	123.19	66
18.18	22.31	25.62	27.83	31.96	36.10	38.85	41.61	45.74	52.63	56.77	59.52	66.41	75.78	80.74	88.19	95.35	103.62	111.89	125.67	67
13.74	17.88	21.19	23.40	27.54	31.68	34.43	37.19	41.33	48.22	52.35	55.11	62.00	71.37	76.33	83.77	90.94	99.21	107.48	121.26	68
18.73	22.86	26.17	28.38	32.51	36.65	39.40	42.16	46.29	53.18	57.32	60.07	66.96	76.34	81.30	88.74	95.90	104.17	112.44	126.22	69
--	13.98	17.31	19.52	23.66	27.80	30.56	33.32	37.45	44.35	48.48	51.24	58.13	67.51	72.47	79.91	87.08	95.34	103.61	117.39	70
16.79	20.93	24.24	26.44	30.58	34.71	37.47	40.23	44.36	51.25	55.39	58.14	65.03	74.40	79.37	86.81	93.97	102.24	110.51	124.29	71
14.84	18.99	22.30	24.50	28.64	32.78	35.54	38.29	42.43	49.32	53.45	56.21	63.10	72.47	77.43	84.88	92.04	100.31	108.58	122.36	72
--	15.09	18.41	20.62	24.76	28.90	31.66	34.42	38.56	45.45	49.59	52.34	59.24	68.61	73.57	81.01	88.18	96.45	104.71	118.50	73
18.31	22.45	25.76	27.96	32.10	36.23	38.99	41.74	45.88	52.77	56.90	59.66	66.55	75.92	80.88	88.32	95.49	103.76	112.02	125.80	74
--	--	--	15.31	19.47	23.62	26.39	29.15	33.29	40.19	44.33	47.09	53.98	63.36	68.32	75.76	82.93	91.20	99.47	113.25	75
17.89	22.03	25.34	27.55	31.68	35.82	38.57	41.33	45.46	52.35	56.49	59.25	66.14	75.51	80.47	87.91	95.07	103.34	111.61	125.39	76
15.95	20.09	23.40	25.61	29.75	33.88	36.64	39.40	43.53	50.42	54.56	57.31	64.20	73.58	78.54	85.98	93.14	101.41	109.68	123.46	77
12.04	16.20	19.52	21.73	25.87	30.01	32.77	35.52	39.66	46.55	50.69	53.45	60.34	69.71	74.67	82.11	89.28	97.55	105.82	119.60	78
--	--	15.61	17.83	21.98	26.12	28.88	31.64	35.78	42.68	46.82	49.58	56.47	65.84	70.80	78.25	85.41	93.68	101.95	115.73	79
18.44	22.58	25.89	28.10	32.23	36.37	39.12	41.88	46.02	52.91	57.04	59.80	66.69	76.06	81.02	88.46	95.63	103.89	112.16	125.94	80
13.15	17.31	20.62	22.83	26.97	31.11	33.87	36.63	40.76	47.66	51.79	54.55	61.44	70.81	75.77	83.22	90.38	98.65	106.92	120.70	81
15.11	19.25	22.56	24.77	28.91	33.05	35.81	38.56	42.70	49.59	53.73	56.48	63.37	72.75	77.71	85.15	92.31	100.58	108.85	122.63	82
17.05	21.19	24.50	26.71	30.85	34.98	37.74	40.50	44.63	51.52	55.66	58.42	65.31	74.68	79.64	87.08	94.25	102.51	110.78	124.56	83
18.03	22.16	25.47	27.68	31.82	35.95	38.71	41.47	45.60	52.49	56.63	59.38	66.27	75.64	80.60	88.05	95.21	103.48	111.75	125.53	84
--	14.50	17.83	20.04	24.19	28.33	31.09	33.85	37.99	44.89	49.02	51.78	58.67	68.05	73.01	80.45	87.62	95.89	104.16	117.94	85
14.26	18.41	21.73	23.94	28.08	32.21	34.97	37.73	41.87	48.76	52.89	55.65	62.54	71.92	76.88	84.32	91.49	99.75	108.02	121.80	86
--	--	--	--	--	18.81	21.59	24.37	28.52	35.44	39.59	42.35	49.25	58.63	63.60	71.05	78.22	86.49	94.76	108.55	87
--	--	--	15.82	19.99	24.14	26.91	29.68	33.82	40.72	44.86	47.62	54.52	63.90	68.86	76.30	83.47	91.74	100.01	113.80	88
16.21	20.36	23.67	25.88	30.01	34.15	36.91	39.67	43.80	50.69	54.83	57.59	64.48	73.85	78.81	86.25	93.42	101.69	109.95	123.73	89
11.44	15.61	18.93	21.15	25.29	29.44	32.20	34.96	39.09	45.99	50.13	52.88	59.78	69.15	74.11	81.56	88.72	96.99	105.26	119.04	90
18.16	22.30	25.61	27.81	31.95	36.09	38.84	41.60	45.74	52.63	56.76	59.52	66.41	75.78	80.74	88.18	95.35	103.62	111.88	125.66	91
--	--	16.12	18.34	22.50	26.65	29.41	32.18	36.32	43.22	47.35	50.11	57.01	66.38	71.35	78.79	85.96	94.23	102.50	116.28	92
15.37	19.52	22.83	25.04	29.18	33.32	36.08	38.83	42.97	49.86	54.00	56.75	63.65	73.02	77.98	85.42	92.59	100.86	109.12	122.91	93
12.55	16.72	20.04	22.25	26.40	30.54	33.30	36.06	40.20	47.09	51.23	53.99	60.88	70.25	75.22	82.66	89.83	98.09	106.36	120.14	94
17.32	21.46	24.77	26.98	31.12	35.25	38.01	40.77	44.90	51.80	55.93	58.69	65.58	74.95	79.91	87.35	94.52	102.79	111.06	124.84	95
14.52	18.67	21.99	24.20	28.34	32.48	35.24	38.00	42.14	49.03	53.17	55.92	62.81	72.19	77.15	84.59	91.76	100.03	108.30	122.08	96
16.48	20.62	23.94	26.14	30.28	34.42	37.18	39.94	44.07	50.96	55.10	57.86	64.75	74.12	79.08	86.52	93.69	101.96	110.23	124.01	97
13.67	17.83	21.15	23.36	27.50	31.64	34.40	37.16	41.30	48.20	52.33	55.09	61.98	71.36	76.32	83.76	90.93	99.20	107.47	121.25	98
--	15.01	18.34	20.56	24.71	28.86	31.62	34.38	38.53	45.42	49.56	52.32	59.21	68.59	73.55	81.00	88.16	96.43	104.70	118.49	99
--	--	--	16.32	20.50	24.66	27.43	30.20	34.35	41.25	45.40	48.16	55.06	64.43	69.40	76.84	84.01	92.29	100.56	114.34	100
17.45	21.59	24.91	27.11	31.25	35.39	38.15	40.90	45.04	51.93	56.07	58.82	65.72	75.09	80.05	87.49	94.66	102.92	111.19	124.97	101
15.63	19.78	23.10	25.31	29.45	33.58	36.34	39.10	43.24	50.13	54.27	57.03	63.92	73.29	78.25	85.69	92.86	101.13	109.40	123.18	102
--	13.28	16.63	18.86	23.02	27.17	29.94	32.70	36.85	43.75	47.89	50.65	57.55	66.92	71.89	79.33	86.50	94.77	103.04	116.82	102
0.90	0.90	0.95	0.95	1.00	1.00	1.00	1.05	1.05	1.05	1.10	1.10	1.10	1.10	1.10	1.10	1.10	1.10	1.10	1.10	

# Synchronous Plus Drive 14M

## Selection Tables

Line No.	Drive Ratio	Sprocket Combination				1160 RPM DriveR						1750 RPM DriveR								
		DRIVER		DRIVEN		DN	Horsepower					DN	Horsepower					1190	1400	1610
		Teeth	PD (in)	Teeth	PD (in)		RPM	40MM	55MM	85MM	115MM		170MM	RPM	40MM	55MM	85MM			
<b>Multiply Horsepower Listed by Length Correction Factor to Find Horsepower Rating --&gt;</b>																	<b>0.80</b>	<b>0.90</b>	<b>0.90</b>	
103	1.55	44	7.720	68	11.930	751	50.5	72.7	117.1	162.0	243.2	1132	66.7	96.0	154.7	214.1	321.4	-	11.94	16.12
104	1.56	36	6.316	56	9.825	746	39.6	57.1	91.9	127.2	191.0	1125	53.0	76.4	123.0	170.2	255.6	10.60	14.78	18.93
105	1.56	72	12.632	112	19.650	746	82.8	119.3	192.2	265.9	399.3	1125	106.0	152.6	245.8	340.1	510.7	-	-	-
106	1.57	28	4.913	44	7.720	738	27.8	40.0	64.5	89.2	-	1114	37.9	54.6	87.9	121.6	-	13.43	17.58	21.73
107	1.58	38	6.667	60	10.527	735	42.4	61.1	98.4	136.1	204.4	1108	56.6	81.5	131.3	181.6	272.7	9.73	13.92	18.09
108	1.60	30	5.263	48	8.421	725	30.9	44.4	71.6	99.0	-	1094	41.8	60.2	97.0	134.3	-	12.58	16.74	20.89
109	1.60	40	7.018	64	11.229	725	45.2	65.0	104.7	144.9	217.6	1094	60.0	86.4	139.3	192.7	289.3	-	13.06	17.23
110	1.61	56	9.825	90	15.790	722	65.3	94.0	151.4	209.5	314.6	1089	84.9	122.3	197.1	272.7	409.4	-	-	-
111	1.63	32	5.614	52	9.123	714	33.8	48.7	78.5	108.6	-	1077	45.7	65.8	105.9	146.6	-	11.72	15.89	20.04
112	1.64	44	7.720	72	12.632	709	50.5	72.7	117.1	162.0	243.2	1069	66.7	96.0	154.7	214.1	321.4	-	11.31	15.51
113	1.65	34	5.965	56	9.825	704	36.8	52.9	85.3	118.0	-	1062	49.4	71.1	114.6	158.6	-	10.85	15.03	19.19
114	1.65	68	11.930	112	19.650	704	78.7	113.3	182.5	252.5	379.1	1062	101.0	145.5	234.4	324.3	486.9	-	-	-
115	1.66	29	5.088	48	8.421	701	29.3	42.2	68.1	94.2	-	1057	39.9	57.4	92.5	128.0	-	12.71	16.87	21.02
116	1.67	36	6.316	60	10.527	696	39.6	57.1	91.9	127.2	191.0	1050	53.0	76.4	123.0	170.2	255.6	9.97	14.17	18.34
117	1.67	48	8.421	80	14.036	696	55.6	80.0	128.9	178.4	267.9	1050	73.1	105.2	169.5	234.5	352.1	-	-	13.77
118	1.68	38	6.667	64	11.229	689	42.4	61.1	98.4	136.1	204.4	1039	56.6	81.5	131.3	181.6	272.7	-	13.31	17.49
119	1.70	40	7.018	68	11.930	682	45.2	65.0	104.7	144.9	217.6	1029	60.0	86.4	139.3	192.7	289.3	-	12.43	16.63
120	1.71	28	4.913	48	8.421	677	27.8	40.0	64.5	89.2	-	1021	37.9	54.6	87.9	121.6	-	12.83	17.00	21.15
121	1.73	52	9.123	90	15.790	670	60.5	87.1	140.4	194.2	291.7	1011	79.1	113.9	183.6	254.0	381.4	-	-	-
122	1.73	30	5.263	52	9.123	669	30.9	44.4	71.6	99.0	-	1010	41.8	60.2	97.0	134.3	-	11.97	16.14	20.30
123	1.75	32	5.614	56	9.825	663	33.8	48.7	78.5	108.6	-	1000	45.7	65.8	105.9	146.6	-	11.10	15.29	19.45
124	1.75	64	11.229	112	19.650	663	74.3	107.0	172.5	238.6	358.3	1000	95.9	138.1	222.4	307.7	462.1	-	-	-
125	1.76	34	5.965	60	10.527	657	36.8	52.9	85.3	118.0	-	992	49.4	71.1	114.6	158.6	-	10.22	14.43	18.60
126	1.78	36	6.316	64	11.229	652	39.6	57.1	91.9	127.2	191.0	984	53.0	76.4	123.0	170.2	255.6	-	13.56	17.74
127	1.79	38	6.667	68	11.930	648	42.4	61.1	98.4	136.1	204.4	978	56.6	81.5	131.3	181.6	272.7	-	12.68	16.88
128	1.79	29	5.088	52	9.123	647	29.3	42.2	68.1	94.2	-	976	39.9	57.4	92.5	128.0	-	12.10	16.27	20.43
129	1.80	40	7.018	72	12.632	644	45.2	65.0	104.7	144.9	217.6	972	60.0	86.4	139.3	192.7	289.3	-	11.79	16.01
130	1.80	80	14.036	144	25.264	644	90.9	130.8	210.8	291.6	437.9	972	115.3	166.0	267.5	370.1	555.7	-	-	-
131	1.82	44	7.720	80	14.036	638	50.5	72.7	117.1	162.0	243.2	962	66.7	96.0	154.7	214.1	321.4	-	-	14.26
132	1.86	28	4.913	52	9.123	625	27.8	40.0	64.5	89.2	-	942	37.9	54.6	87.9	121.6	-	12.22	16.40	20.56
133	1.87	30	5.263	56	9.825	621	30.9	44.4	71.6	99.0	-	938	41.8	60.2	97.0	134.3	-	11.35	15.54	19.71
134	1.87	60	10.527	112	19.650	621	69.9	100.6	162.1	224.3	336.8	938	90.5	130.4	210.0	290.6	436.3	-	-	-
135	1.88	32	5.614	60	10.527	619	33.8	48.7	78.5	108.6	-	933	45.7	65.8	105.9	146.6	-	10.46	14.68	18.86
136	1.88	48	8.421	90	15.790	619	55.6	80.0	128.9	178.4	267.9	933	73.1	105.2	169.5	234.5	352.1	-	-	-
137	1.88	34	5.965	64	11.229	616	36.8	52.9	85.3	118.0	-	930	49.4	71.1	114.6	158.6	-	-	13.80	18.00
138	1.89	36	6.316	68	11.930	614	39.6	57.1	91.9	127.2	191.0	926	53.0	76.4	123.0	170.2	255.6	-	12.92	17.13
139	1.89	38	6.667	72	12.632	612	42.4	61.1	98.4	136.1	204.4	924	56.6	81.5	131.3	181.6	272.7	-	12.03	16.26
140	1.93	29	5.088	56	9.825	601	29.3	42.2	68.1	94.2	-	906	39.9	57.4	92.5	128.0	-	11.47	15.67	19.84
141	2.00	28	4.913	56	9.825	580	27.8	40.0	64.5	89.2	-	875	37.9	54.6	87.9	121.6	-	11.59	15.79	19.97
142	2.00	30	5.263	60	10.527	580	30.9	44.4	71.6	99.0	-	875	41.8	60.2	97.0	134.3	-	10.70	14.93	19.11
143	2.00	32	5.614	64	11.229	580	33.8	48.7	78.5	108.6	-	875	45.7	65.8	105.9	146.6	-	9.79	14.05	18.25
144	2.00	34	5.965	68	11.930	580	36.8	52.9	85.3	118.0	-	875	49.4	71.1	114.6	158.6	-	-	13.17	17.38
145	2.00	36	6.316	72	12.632	580	39.6	57.1	91.9	127.2	191.0	875	53.0	76.4	123.0	170.2	255.6	-	12.27	16.51
146	2.00	40	7.018	80	14.036	580	45.2	65.0	104.7	144.9	217.6	875	60.0	86.4	139.3	192.7	289.3	-	-	14.74
147	2.00	56	9.825	112	19.650	580	65.3	94.0	151.4	209.5	314.6	875	84.9	122.3	197.1	272.7	409.4	-	-	-
148	2.00	72	12.632	144	25.264	580	82.8	119.3	192.2	265.9	399.3	875	106.0	152.6	245.8	340.1	510.7	-	-	-
149	2.05	44	7.720	90	15.790	567	50.5	72.7	117.1	162.0	243.2	856	66.7	96.0	154.7	214.1	321.4	-	-	-
150	2.07	29	5.088	60	10.527	561	29.3	42.2	68.1	94.2	-	846	39.9	57.4	92.5	128.0	-	10.82	15.05	19.24
151	2.10	80	14.036	168	29.475	552	90.9	130.8	210.8	291.6	437.9	833	115.3	166.0	267.5	370.1	555.7	-	-	-
152	2.11	38	6.667	80	14.036	551	42.4	61.1	98.4	136.1	204.4	831	56.6	81.5	131.3	181.6	272.7	-	-	14.98
153	2.12	34	5.965	72	12.632	548	36.8	52.9	85.3	118.0	-	826	49.4	71.1	114.6	158.6	-	-	12.51	16.75
<b>Multiply Horsepower Listed by Length Correction Factor to Find Horsepower Rating --&gt;</b>																	<b>0.80</b>	<b>0.90</b>	<b>0.90</b>	

# Synchronous Plus Drive 14M

## Selection Tables

CENTER DISTANCE																		Line No.
BELT LENGTH - Length Correction Factor																		
1778	1890	2100	2310	2450	2590	2800	3150	3360	3500	3850	4326	4578	4956	5320	5740	6160	6860	
0.95	0.95	1.00	1.00	1.00	1.05	1.05	1.05	1.10	1.10	1.10	1.10	1.10	1.10	1.10	1.10	1.10	1.10	
19.45	21.67	25.82	29.97	32.73	35.49	39.63	46.53	50.66	53.42	60.32	69.69	74.66	82.10	89.27	97.54	105.81	119.59	103
22.25	24.46	28.61	32.75	35.51	38.27	42.40	49.30	53.44	56.19	63.09	72.46	77.42	84.86	92.03	100.30	108.57	122.35	104
-	-	-	19.81	22.60	25.39	29.56	36.48	40.64	43.40	50.31	59.70	64.67	72.12	79.29	87.57	95.84	109.63	105
25.04	27.25	31.39	35.52	38.28	41.04	45.18	52.07	56.20	58.96	65.85	75.22	80.18	87.63	94.79	103.06	111.33	125.11	106
21.41	23.62	27.77	31.91	34.67	37.43	41.57	48.47	52.60	55.36	62.25	71.63	76.59	84.03	91.20	99.47	107.74	121.52	107
24.20	26.41	30.55	34.69	37.45	40.21	44.34	51.24	55.37	58.13	65.02	74.39	79.35	86.80	93.96	102.23	110.50	124.28	108
20.56	22.78	26.93	31.07	33.83	36.59	40.73	47.63	51.77	54.53	61.42	70.80	75.76	83.20	90.37	98.64	106.91	120.69	109
14.58	16.82	21.01	25.18	27.95	30.72	34.87	41.78	45.93	48.69	55.59	64.97	69.94	77.38	84.55	92.83	101.10	114.88	110
23.36	25.57	29.71	33.85	36.61	39.37	43.51	50.40	54.54	57.30	64.19	73.56	78.52	85.97	93.13	101.40	109.67	123.45	111
18.86	21.08	25.23	29.39	32.15	34.91	39.06	45.96	50.10	52.86	59.75	69.13	74.09	81.54	88.71	96.98	105.25	119.03	112
22.52	24.73	28.87	33.01	35.77	38.53	42.67	49.57	53.71	56.46	63.36	72.73	77.69	85.14	92.30	100.57	108.84	122.62	113
-	-	-	20.30	23.10	25.89	30.07	37.00	41.16	43.92	50.84	60.23	65.20	72.65	79.83	88.10	96.38	110.17	114
24.33	26.54	30.68	34.82	37.58	40.34	44.48	51.37	55.51	58.26	65.16	74.53	79.49	86.93	94.10	102.37	110.64	124.42	115
21.67	23.88	28.03	32.18	34.94	37.70	41.84	48.73	52.87	55.63	62.52	71.90	76.86	84.30	91.47	99.74	108.01	121.79	116
17.13	19.36	23.53	27.69	30.46	33.23	37.37	44.28	48.42	51.18	58.08	67.46	72.43	79.87	87.04	95.31	103.58	117.37	117
20.82	23.04	27.19	31.33	34.10	36.86	41.00	47.90	52.04	54.80	61.69	71.07	76.03	83.47	90.64	98.91	107.18	120.96	118
19.97	22.19	26.34	30.49	33.26	36.02	40.16	47.06	51.20	53.96	60.86	70.23	75.20	82.64	89.81	98.08	106.35	120.13	119
24.46	26.67	30.82	34.96	37.72	40.47	44.61	51.51	55.64	58.40	65.29	74.66	79.63	87.07	94.24	102.50	110.77	124.55	120
15.06	17.32	21.51	25.69	28.47	31.24	35.39	42.31	46.46	49.22	56.12	65.51	70.47	77.92	85.09	93.37	101.64	115.42	121
23.62	25.83	29.98	34.12	36.88	39.64	43.78	50.67	54.81	57.57	64.46	73.83	78.80	86.24	93.41	101.67	109.94	123.73	122
22.78	24.99	29.14	33.28	36.04	38.80	42.94	49.84	53.97	56.73	63.63	73.00	77.96	85.41	92.57	100.84	109.11	122.90	123
-	-	-	20.79	23.60	26.40	30.58	37.52	41.68	44.45	51.36	60.76	65.73	73.19	80.36	88.64	96.92	110.71	124
21.93	24.14	28.29	32.44	35.20	37.96	42.10	49.00	53.14	55.90	62.79	72.17	77.13	84.58	91.74	100.01	108.28	122.07	125
21.08	23.30	27.45	31.60	34.36	37.12	41.27	48.17	52.30	55.06	61.96	71.34	76.30	83.74	90.91	99.18	107.45	121.23	126
20.22	22.44	26.60	30.75	33.52	36.28	40.43	47.33	51.47	54.23	61.12	70.50	75.47	82.91	90.08	98.35	106.62	120.40	127
23.75	25.96	30.11	34.25	37.01	39.77	43.91	50.81	54.94	57.70	64.59	73.97	78.93	86.37	93.54	101.81	110.08	123.86	128
19.36	21.59	25.75	29.91	32.67	35.44	39.59	46.49	50.63	53.39	60.29	69.67	74.63	82.08	89.25	97.52	105.79	119.57	129
-	-	-	-	-	-	23.58	30.63	34.82	37.61	44.57	54.00	58.98	66.46	73.64	81.93	90.22	104.02	130
17.63	19.87	24.04	28.21	30.98	33.75	37.90	44.81	48.95	51.71	58.62	68.00	72.96	80.41	87.58	95.85	104.13	117.91	131
23.88	26.10	30.24	34.38	37.15	39.91	44.04	50.94	55.08	57.84	64.73	74.10	79.07	86.51	93.68	101.95	110.22	124.00	132
23.04	25.25	29.40	33.54	36.31	39.07	43.21	50.11	54.24	57.00	63.90	73.27	78.23	85.68	92.85	101.12	109.39	123.17	133
-	-	17.03	21.28	24.10	26.90	31.08	38.03	42.19	44.97	51.89	61.29	66.26	73.72	80.89	89.17	97.45	111.24	134
22.19	24.40	28.56	32.70	35.47	38.23	42.37	49.27	53.41	56.17	63.06	72.44	77.40	84.85	92.01	100.28	108.55	122.34	135
15.55	17.81	22.01	26.20	28.98	31.75	35.91	42.83	46.98	49.75	56.65	66.04	71.01	78.46	85.63	93.90	102.18	115.97	136
21.33	23.55	27.71	31.86	34.62	37.39	41.53	48.43	52.57	55.33	62.23	71.61	76.57	84.01	91.18	99.45	107.72	121.51	137
20.48	22.70	26.86	31.01	33.78	36.55	40.69	47.59	51.73	54.49	61.39	70.77	75.74	83.18	90.35	98.62	106.89	120.68	138
19.62	21.84	26.01	30.17	32.94	35.70	39.85	46.76	50.90	53.66	60.56	69.94	74.90	82.35	89.52	97.79	106.06	119.84	139
23.17	25.38	29.53	33.68	36.44	39.20	43.34	50.24	54.38	57.14	64.03	73.41	78.37	85.81	92.98	101.25	109.52	123.30	140
23.30	25.51	29.66	33.81	36.57	39.33	43.47	50.37	54.51	57.27	64.17	73.54	78.50	85.95	93.12	101.39	109.66	123.44	141
22.44	24.66	28.82	32.97	35.73	38.49	42.64	49.54	53.68	56.43	63.33	72.71	77.67	85.12	92.29	100.56	108.83	122.61	142
21.59	23.81	27.97	32.12	34.89	37.65	41.80	48.70	52.84	55.60	62.50	71.87	76.84	84.28	91.45	99.72	107.99	121.78	143
20.73	22.96	27.12	31.28	34.04	36.81	40.95	47.86	52.00	54.76	61.66	71.04	76.00	83.45	90.62	98.89	107.16	120.95	144
19.87	22.10	26.27	30.43	33.20	35.96	40.11	47.02	51.16	53.92	60.82	70.20	75.17	82.62	89.79	98.06	106.33	120.12	145
18.12	20.37	24.55	28.72	31.50	34.27	38.42	45.34	49.48	52.24	59.15	68.53	73.50	80.95	88.12	96.39	104.67	118.45	146
-	-	17.50	21.77	24.59	27.39	31.59	38.55	42.71	45.48	52.41	61.81	66.79	74.25	81.43	89.71	97.99	111.78	147
-	-	-	-	-	20.23	24.54	31.61	35.82	38.62	45.59	55.03	60.02	67.50	74.69	82.99	91.28	105.09	148
16.03	18.30	22.51	26.70	29.49	32.27	36.43	43.36	47.51	50.27	57.18	66.57	71.54	78.99	86.17	94.44	102.72	116.50	149
22.57	24.79	28.95	33.10	35.86	38.62	42.77	49.67	53.81	56.57	63.47	72.84	77.81	85.25	92.42	100.69	108.96	122.75	150
-	-	-	-	-	-	-	26.72	31.01	33.84	40.89	50.39	55.41	62.91	70.13	78.44	86.74	100.57	151
18.37	20.62	24.81	28.98	31.75	34.53	38.68	45.60	49.75	52.51	59.41	68.80	73.77	81.22	88.39	96.66	104.94	118.72	152
20.12	22.35	26.52	30.69	33.46	36.22	40.37	47.28	51.43	54.19	61.09	70.47	75.44	82.89	90.06	98.33	106.60	120.39	153
0.95	0.95	1.00	1.00	1.00	1.05	1.05	1.05	1.10	1.10	1.10	1.10	1.10	1.10	1.10	1.10	1.10	1.10	

# Synchronous Plus Drive 14M

## Selection Tables

Line No.	Drive Ratio	Sprocket Combination				1160 RPM DriveR						1750 RPM DriveR					1400	1610	
		DRIVER		DRIVEN		DN	Horsepower					DN	Horsepower						
		Teeth	PD (in)	Teeth	PD (in)		RPM	40MM	55MM	85MM	115MM		170MM	RPM	40MM	55MM			85MM
<b>Multiply Horsepower Listed by Length Correction Factor to Find Horsepower Rating --&gt;</b>																		<b>0.90</b>	<b>0.90</b>
154	2.12	68	11.930	144	25.264	548	78.7	113.3	182.5	252.5	379.1	826	101.0	145.5	234.4	324.3	486.9	-	-
155	2.13	32	5.614	68	11.930	546	33.8	48.7	78.5	108.6	-	824	45.7	65.8	105.9	146.6	-	13.41	17.63
156	2.13	30	5.263	64	11.229	544	30.9	44.4	71.6	99.0	-	820	41.8	60.2	97.0	134.3	-	14.30	18.50
157	2.14	28	4.913	60	10.527	541	27.8	40.0	64.5	89.2	-	817	37.9	54.6	87.9	121.6	-	15.17	19.36
158	2.15	52	9.123	112	19.650	539	60.5	87.1	140.4	194.2	291.7	812	79.1	113.9	183.6	254.0	381.4	-	-
159	2.21	29	5.088	64	11.229	526	29.3	42.2	68.1	94.2	-	793	39.9	57.4	92.5	128.0	-	14.42	18.62
160	2.22	36	6.316	80	14.036	522	39.6	57.1	91.9	127.2	191.0	788	53.0	76.4	123.0	170.2	255.6	-	15.22
161	2.25	32	5.614	72	12.632	516	33.8	48.7	78.5	108.6	-	778	45.7	65.8	105.9	146.6	-	12.75	17.00
162	2.25	40	7.018	90	15.790	516	45.2	65.0	104.7	144.9	217.6	778	60.0	86.4	139.3	192.7	289.3	-	13.04
163	2.25	64	11.229	144	25.264	516	74.3	107.0	172.5	238.6	358.3	778	95.9	138.1	222.4	307.7	462.1	-	-
164	2.27	30	5.263	68	11.930	512	30.9	44.4	71.6	99.0	-	772	41.8	60.2	97.0	134.3	-	13.65	17.88
165	2.29	28	4.913	64	11.229	508	27.8	40.0	64.5	89.2	-	766	37.9	54.6	87.9	121.6	-	14.54	18.75
166	2.33	48	8.421	112	19.650	497	55.6	80.0	128.9	178.4	267.9	750	73.1	105.2	169.5	234.5	352.1	-	-
167	2.33	72	12.632	168	29.475	497	82.8	119.3	192.2	265.9	399.3	750	106.0	152.6	245.8	340.1	510.7	-	-
168	2.34	29	5.088	68	11.930	495	29.3	42.2	68.1	94.2	-	746	39.9	57.4	92.5	128.0	-	13.77	18.00
169	2.35	34	5.965	80	14.036	493	36.8	52.9	85.3	118.0	-	744	49.4	71.1	114.6	158.6	-	-	15.46
170	2.37	38	6.667	90	15.790	490	42.4	61.1	98.4	136.1	204.4	739	56.6	81.5	131.3	181.6	272.7	-	13.27
171	2.40	30	5.263	72	12.632	483	30.9	44.4	71.6	99.0	-	729	41.8	60.2	97.0	134.3	-	12.98	17.24
172	2.40	60	10.527	144	25.264	483	69.9	100.6	162.1	224.3	336.8	729	90.5	130.4	210.0	290.6	436.3	-	-
173	2.40	80	14.036	192	33.686	483	90.9	130.8	210.8	291.6	437.9	729	115.3	166.0	267.5	370.1	555.7	-	-
174	2.43	28	4.913	68	11.930	478	27.8	40.0	64.5	89.2	-	721	37.9	54.6	87.9	121.6	-	13.89	18.12
175	2.47	68	11.930	168	29.475	470	78.7	113.3	182.5	252.5	379.1	708	101.0	145.5	234.4	324.3	486.9	-	-
176	2.48	29	5.088	72	12.632	467	29.3	42.2	68.1	94.2	-	705	39.9	57.4	92.5	128.0	-	13.10	17.37
177	2.50	32	5.614	80	14.036	464	33.8	48.7	78.5	108.6	-	700	45.7	65.8	105.9	146.6	-	11.34	15.69
178	2.50	36	6.316	90	15.790	464	39.6	57.1	91.9	127.2	191.0	700	53.0	76.4	123.0	170.2	255.6	-	13.50
179	2.55	44	7.720	112	19.650	456	50.5	72.7	117.1	162.0	243.2	688	66.7	96.0	154.7	214.1	321.4	-	-
180	2.57	28	4.913	72	12.632	451	27.8	40.0	64.5	89.2	-	681	37.9	54.6	87.9	121.6	-	13.22	17.49
181	2.57	56	9.825	144	25.264	451	65.3	94.0	151.4	209.5	314.6	681	84.9	122.3	197.1	272.7	409.4	-	-
182	2.63	64	11.229	168	29.475	442	74.3	107.0	172.5	238.6	358.3	667	95.9	138.1	222.4	307.7	462.1	-	-
183	2.65	34	5.965	90	15.790	438	36.8	52.9	85.3	118.0	-	661	49.4	71.1	114.6	158.6	-	-	13.73
184	2.67	30	5.263	80	14.036	435	30.9	44.4	71.6	99.0	-	656	41.8	60.2	97.0	134.3	-	11.57	15.93
185	2.67	72	12.632	192	33.686	435	82.8	119.3	192.2	265.9	399.3	656	106.0	152.6	245.8	340.1	510.7	-	-
186	2.70	80	14.036	216	37.896	430	90.9	130.8	210.8	291.6	437.9	648	115.3	166.0	267.5	370.1	555.7	-	-
187	2.76	29	5.088	80	14.036	420	29.3	42.2	68.1	94.2	-	634	39.9	57.4	92.5	128.0	-	11.68	16.05
188	2.77	52	9.123	144	25.264	419	60.5	87.1	140.4	194.2	291.7	632	79.1	113.9	183.6	254.0	381.4	-	-
189	2.80	40	7.018	112	19.650	414	45.2	65.0	104.7	144.9	217.6	625	60.0	86.4	139.3	192.7	289.3	-	-
190	2.80	60	10.527	168	29.475	414	69.9	100.6	162.1	224.3	336.8	625	90.5	130.4	210.0	290.6	436.3	-	-
191	2.81	32	5.614	90	15.790	412	33.8	48.7	78.5	108.6	-	622	45.7	65.8	105.9	146.6	-	-	13.95
192	2.82	68	11.930	192	33.686	411	78.7	113.3	182.5	252.5	379.1	620	101.0	145.5	234.4	324.3	486.9	-	-
193	2.86	28	4.913	80	14.036	406	27.8	40.0	64.5	89.2	-	612	37.9	54.6	87.9	121.6	-	11.80	16.17
194	2.95	38	6.667	112	19.650	394	42.4	61.1	98.4	136.1	204.4	594	56.6	81.5	131.3	181.6	272.7	-	-
195	3.00	30	5.263	90	15.790	387	30.9	44.4	71.6	99.0	-	583	41.8	60.2	97.0	134.3	-	-	14.18
196	3.00	48	8.421	144	25.264	387	55.6	80.0	128.9	178.4	267.9	583	73.1	105.2	169.5	234.5	352.1	-	-
197	3.00	56	9.825	168	29.475	387	65.3	94.0	151.4	209.5	314.6	583	84.9	122.3	197.1	272.7	409.4	-	-
198	3.00	64	11.229	192	33.686	387	74.3	107.0	172.5	238.6	358.3	583	95.9	138.1	222.4	307.7	462.1	-	-
199	3.00	72	12.632	216	37.896	387	82.8	119.3	192.2	265.9	399.3	583	106.0	152.6	245.8	340.1	510.7	-	-
200	3.10	29	5.088	90	15.790	374	29.3	42.2	68.1	94.2	-	564	39.9	57.4	92.5	128.0	-	-	14.29
201	3.11	36	6.316	112	19.650	373	39.6	57.1	91.9	127.2	191.0	562	53.0	76.4	123.0	170.2	255.6	-	-
202	3.18	68	11.930	216	37.896	365	78.7	113.3	182.5	252.5	379.1	551	101.0	145.5	234.4	324.3	486.9	-	-
203	3.20	60	10.527	192	33.686	362	69.9	100.6	162.1	224.3	336.8	547	90.5	130.4	210.0	290.6	436.3	-	-
204	3.21	28	4.913	90	15.790	361	27.8	40.0	64.5	89.2	-	544	37.9	54.6	87.9	121.6	-	-	14.41
<b>Multiply Horsepower Listed by Length Correction Factor to Find Horsepower Rating --&gt;</b>																		<b>0.90</b>	<b>0.90</b>

# Synchronous Plus Drive 14M

## Selection Tables

CENTER DISTANCE																		Line No.
BELT LENGTH - Length Correction Factor																		
1778	1890	2100	2310	2450	2590	2800	3150	3360	3500	3850	4326	4578	4956	5320	5740	6160	6860	
0.95	0.95	1.00	1.00	1.00	1.05	1.05	1.05	1.10	1.10	1.10	1.10	1.10	1.10	1.10	1.10	1.10	1.10	
-	-	-	-	-	20.70	25.02	32.10	36.32	39.12	46.09	55.54	60.54	68.02	75.22	83.51	91.81	105.62	154
20.98	23.21	27.38	31.53	34.30	37.07	41.22	48.12	52.27	55.03	61.93	71.31	76.27	83.72	90.89	99.16	107.43	121.22	155
21.84	24.07	28.23	32.38	35.15	37.91	42.06	48.96	53.11	55.87	62.76	72.14	77.11	84.55	91.72	99.99	108.27	122.05	156
22.70	24.92	29.08	33.23	35.99	38.76	42.90	49.80	53.94	56.70	63.60	72.98	77.94	85.39	92.56	100.83	109.10	122.88	157
-	-	17.97	22.25	25.08	27.89	32.09	39.05	43.22	46.00	52.93	62.34	67.31	74.78	81.96	90.24	98.52	112.32	158
21.97	24.19	28.36	32.51	35.28	38.05	42.19	49.10	53.24	56.00	62.90	72.28	77.24	84.69	91.86	100.13	108.40	122.19	159
18.62	20.86	25.06	29.23	32.01	34.79	38.94	45.86	50.01	52.77	59.68	69.07	74.03	81.48	88.66	96.93	105.20	118.99	160
20.37	22.60	26.78	30.94	33.71	36.48	40.64	47.55	51.69	54.45	61.36	70.74	75.71	83.15	90.33	98.60	106.87	120.66	161
16.50	18.78	23.01	27.21	29.99	32.78	36.94	43.88	48.03	50.79	57.71	67.10	72.07	79.52	86.70	94.98	103.25	117.04	162
-	-	-	-	-	21.16	25.49	32.59	36.81	39.61	46.60	56.06	61.05	68.54	75.74	84.04	92.33	106.15	163
21.23	23.46	27.63	31.79	34.56	37.33	41.48	48.39	52.53	55.29	62.19	71.58	76.54	83.99	91.16	99.43	107.70	121.49	164
22.10	24.32	28.49	32.64	35.41	38.18	42.32	49.23	53.37	56.13	63.03	72.41	77.38	84.82	91.99	100.27	108.54	122.32	165
-	-	18.44	22.73	25.56	28.38	32.59	39.56	43.73	46.51	53.45	62.86	67.84	75.30	82.49	90.77	99.05	112.85	166
-	-	-	-	-	-	-	27.65	31.96	34.81	41.87	51.40	56.42	63.93	71.16	79.47	87.78	101.62	167
21.36	23.59	27.76	31.92	34.69	37.46	41.61	48.52	52.66	55.43	62.33	71.71	76.68	84.12	91.29	99.57	107.84	121.63	168
18.86	21.11	25.31	29.49	32.27	35.04	39.20	46.12	50.27	53.04	59.94	69.33	74.30	81.75	88.92	97.20	105.47	119.26	169
16.74	19.02	23.25	27.46	30.25	33.03	37.20	44.13	48.29	51.06	57.97	67.37	72.34	79.79	86.97	95.25	103.52	117.31	170
20.62	22.85	27.03	31.20	33.97	36.74	40.90	47.81	51.96	54.72	61.62	71.01	75.97	83.42	90.59	98.87	107.14	120.93	171
-	-	-	-	-	21.62	25.96	33.08	37.30	40.11	47.10	56.57	61.57	69.06	76.26	84.56	92.86	106.67	172
-	-	-	-	-	-	-	-	26.86	29.80	37.00	46.64	51.70	59.26	66.52	74.87	83.20	97.06	173
21.49	23.72	27.89	32.05	34.82	37.59	41.74	48.65	52.80	55.56	62.46	71.84	76.81	84.26	91.43	99.70	107.97	121.76	174
-	-	-	-	-	-	-	28.12	32.44	35.29	42.36	51.90	56.92	64.44	71.67	79.99	88.30	102.14	175
20.74	22.98	27.16	31.33	34.10	36.87	41.03	47.94	52.09	54.85	61.75	71.14	76.11	83.56	90.73	99.00	107.28	121.06	176
19.10	21.36	25.56	29.74	32.52	35.30	39.46	46.38	50.53	53.30	60.21	69.60	74.57	82.02	89.19	97.47	105.74	119.53	177
16.98	19.26	23.50	27.71	30.50	33.28	37.46	44.39	48.55	51.32	58.23	67.63	72.60	80.06	87.23	95.51	103.79	117.58	178
-	-	18.90	23.21	26.05	28.87	33.08	40.07	44.24	47.02	53.96	63.38	68.36	75.83	83.01	91.30	99.59	113.39	179
20.86	23.10	27.29	31.46	34.23	37.00	41.16	48.07	52.22	54.98	61.89	71.27	76.24	83.69	90.86	99.14	107.41	121.20	180
-	-	-	-	19.11	22.08	26.43	33.56	37.79	40.60	47.60	57.08	62.08	69.57	76.78	85.08	93.38	107.20	181
-	-	-	-	-	-	-	28.58	32.91	35.77	42.85	52.39	57.42	64.95	72.18	80.51	88.82	102.67	182
17.21	19.50	23.74	27.95	30.75	33.54	37.71	44.65	48.81	51.58	58.49	67.89	72.87	80.32	87.50	95.78	104.06	117.85	183
19.35	21.60	25.81	29.99	32.78	35.56	39.72	46.64	50.79	53.56	60.47	69.86	74.83	82.28	89.46	97.74	106.01	119.80	184
-	-	-	-	-	-	-	-	27.77	30.72	37.95	47.62	52.69	60.26	67.53	75.88	84.22	98.10	185
-	-	-	-	-	-	-	-	-	-	32.83	42.70	47.84	55.49	62.80	71.21	79.58	93.49	186
19.47	21.72	25.93	30.12	32.90	35.68	39.85	46.77	50.93	53.69	60.60	69.99	74.96	82.42	89.59	97.87	106.15	119.94	187
-	-	-	-	19.55	22.53	26.90	34.04	38.28	41.10	48.10	57.58	62.59	70.09	77.30	85.60	93.91	107.73	188
-	14.92	19.36	23.69	26.53	29.36	33.58	40.57	44.75	47.53	54.48	63.90	68.88	76.35	83.54	91.83	100.12	113.92	189
-	-	-	-	-	-	21.63	29.05	33.38	36.24	43.33	52.89	57.93	65.46	72.69	81.02	89.34	103.19	190
17.45	19.74	23.99	28.20	31.00	33.79	37.97	44.91	49.07	51.84	58.76	68.16	73.13	80.59	87.77	96.05	104.32	118.12	191
-	-	-	-	-	-	-	-	28.22	31.17	38.42	48.10	53.18	60.76	68.03	76.39	84.73	98.61	192
19.59	21.85	26.06	30.25	33.03	35.81	39.98	46.90	51.06	53.82	60.73	70.13	75.10	82.55	89.73	98.00	106.28	120.07	193
-	15.14	19.59	23.92	26.77	29.60	33.83	40.82	45.00	47.79	54.73	64.16	69.14	76.61	83.80	92.09	100.38	114.19	194
17.68	19.98	24.23	28.45	31.25	34.04	38.22	45.17	49.33	52.10	59.02	68.42	73.39	80.85	88.03	96.31	104.59	118.39	195
-	-	-	-	20.00	22.98	27.37	34.52	38.77	41.59	48.60	58.09	63.10	70.60	77.81	86.12	94.43	108.26	196
-	-	-	-	-	-	22.06	29.51	33.85	36.72	43.82	53.39	58.43	65.96	73.20	81.53	89.86	103.71	197
-	-	-	-	-	-	-	24.12	28.67	31.63	38.89	48.58	53.67	61.25	68.53	76.90	85.24	99.13	198
-	-	-	-	-	-	-	-	-	-	33.74	43.64	48.80	56.46	63.79	72.20	80.58	94.51	199
17.80	20.09	24.35	28.57	31.37	34.17	38.35	45.29	49.45	52.23	59.15	68.55	73.53	80.98	88.16	96.45	104.73	118.52	200
-	15.36	19.82	24.16	27.01	29.85	34.07	41.07	45.26	48.04	54.99	64.42	69.40	76.88	84.07	92.36	100.65	114.45	201
-	-	-	-	-	-	-	-	-	26.59	34.19	44.11	49.27	56.95	64.28	72.70	81.09	95.02	202
-	-	-	-	-	-	-	24.55	29.11	32.08	39.36	49.07	54.16	61.75	69.03	77.40	85.75	99.64	203
17.91	20.21	24.47	28.70	31.50	34.29	38.47	45.42	49.58	52.36	59.28	68.68	73.66	81.12	88.30	96.58	104.86	118.65	204
0.95	0.95	1.00	1.00	1.00	1.05	1.05	1.05	1.10	1.10	1.10	1.10	1.10	1.10	1.10	1.10	1.10	1.10	

# Synchronous Plus Drive 14M

## Selection Tables

Line No.	Drive Ratio	Sprocket Combination				1160 RPM DriveR						1750 RPM DriveR					
		DRIVER		DRIVEN		DN	Horsepower					DN	Horsepower				
		Teeth	PD (in)	Teeth	PD (in)	RPM	40MM	55MM	85MM	115MM	170MM	RPM	40MM	55MM	85MM	115MM	170MM
Multiply Horsepower Listed by Length Correction Factor to Find Horsepower Rating -->																	
205	3.23	52	9.123	168	29.475	359	60.5	87.1	140.4	194.2	291.7	542	79.1	113.9	183.6	254.0	381.4
206	3.27	44	7.720	144	25.264	354	50.5	72.7	117.1	162.0	243.2	535	66.7	96.0	154.7	214.1	321.4
207	3.29	34	5.965	112	19.650	352	36.8	52.9	85.3	118.0	-	531	49.4	71.1	114.6	158.6	-
208	3.38	64	11.229	216	37.896	344	74.3	107.0	172.5	238.6	358.3	519	95.9	138.1	222.4	307.7	462.1
209	3.43	56	9.825	192	33.686	338	65.3	94.0	151.4	209.5	314.6	510	84.9	122.3	197.1	272.7	409.4
210	3.50	32	5.614	112	19.650	331	33.8	48.7	78.5	108.6	-	500	45.7	65.8	105.9	146.6	-
211	3.50	48	8.421	168	29.475	331	55.6	80.0	128.9	178.4	267.9	500	73.1	105.2	169.5	234.5	352.1
212	3.60	40	7.018	144	25.264	322	45.2	65.0	104.7	144.9	217.6	486	60.0	86.4	139.3	192.7	289.3
213	3.60	60	10.527	216	37.896	322	69.9	100.6	162.1	224.3	336.8	486	90.5	130.4	210.0	290.6	436.3
214	3.69	52	9.123	192	33.686	314	60.5	87.1	140.4	194.2	291.7	474	79.1	113.9	183.6	254.0	381.4
215	3.73	30	5.263	112	19.650	311	30.9	44.4	71.6	99.0	-	469	41.8	60.2	97.0	134.3	-
216	3.79	38	6.667	144	25.264	306	42.4	61.1	98.4	136.1	204.4	462	56.6	81.5	131.3	181.6	272.7
217	3.82	44	7.720	168	29.475	304	50.5	72.7	117.1	162.0	243.2	458	66.7	96.0	154.7	214.1	321.4
218	3.86	56	9.825	216	37.896	301	65.3	94.0	151.4	209.5	314.6	454	84.9	122.3	197.1	272.7	409.4
219	3.86	29	5.088	112	19.650	300	29.3	42.2	68.1	94.2	-	453	39.9	57.4	92.5	128.0	-
220	4.00	28	4.913	112	19.650	290	27.8	40.0	64.5	89.2	-	438	37.9	54.6	87.9	121.6	-
221	4.00	36	6.316	144	25.264	290	39.6	57.1	91.9	127.2	191.0	438	53.0	76.4	123.0	170.2	255.6
222	4.00	48	8.421	192	33.686	290	55.6	80.0	128.9	178.4	267.9	438	73.1	105.2	169.5	234.5	352.1
223	4.15	52	9.123	216	37.896	279	60.5	87.1	140.4	194.2	291.7	421	79.1	113.9	183.6	254.0	381.4
224	4.20	40	7.018	168	29.475	276	45.2	65.0	104.7	144.9	217.6	417	60.0	86.4	139.3	192.7	289.3
225	4.24	34	5.965	144	25.264	274	36.8	52.9	85.3	118.0	-	413	49.4	71.1	114.6	158.6	-
226	4.36	44	7.720	192	33.686	266	50.5	72.7	117.1	162.0	243.2	401	66.7	96.0	154.7	214.1	321.4
227	4.42	38	6.667	168	29.475	262	42.4	61.1	98.4	136.1	204.4	396	56.6	81.5	131.3	181.6	272.7
228	4.50	32	5.614	144	25.264	258	33.8	48.7	78.5	108.6	-	389	45.7	65.8	105.9	146.6	-
229	4.50	48	8.421	216	37.896	258	55.6	80.0	128.9	178.4	267.9	389	73.1	105.2	169.5	234.5	352.1
230	4.67	36	6.316	168	29.475	249	39.6	57.1	91.9	127.2	191.0	375	53.0	76.4	123.0	170.2	255.6
231	4.80	30	5.263	144	25.264	242	30.9	44.4	71.6	99.0	-	365	41.8	60.2	97.0	134.3	-
232	4.80	40	7.018	192	33.686	242	45.2	65.0	104.7	144.9	217.6	365	60.0	86.4	139.3	192.7	289.3
233	4.91	44	7.720	216	37.896	236	50.5	72.7	117.1	162.0	243.2	356	66.7	96.0	154.7	214.1	321.4
234	4.94	34	5.965	168	29.475	235	36.8	52.9	85.3	118.0	-	354	49.4	71.1	114.6	158.6	-
235	4.97	29	5.088	144	25.264	234	29.3	42.2	68.1	94.2	-	352	39.9	57.4	92.5	128.0	-
236	5.05	38	6.667	192	33.686	230	42.4	61.1	98.4	136.1	204.4	346	56.6	81.5	131.3	181.6	272.7
237	5.14	28	4.913	144	25.264	226	27.8	40.0	64.5	89.2	-	340	37.9	54.6	87.9	121.6	-
238	5.25	32	5.614	168	29.475	221	33.8	48.7	78.5	108.6	-	333	45.7	65.8	105.9	146.6	-
239	5.33	36	6.316	192	33.686	218	39.6	57.1	91.9	127.2	191.0	328	53.0	76.4	123.0	170.2	255.6
240	5.40	40	7.018	216	37.896	215	45.2	65.0	104.7	144.9	217.6	324	60.0	86.4	139.3	192.7	289.3
241	5.60	30	5.263	168	29.475	207	30.9	44.4	71.6	99.0	-	312	41.8	60.2	97.0	134.3	-
242	5.65	34	5.965	192	33.686	205	36.8	52.9	85.3	118.0	-	310	49.4	71.1	114.6	158.6	-
243	5.68	38	6.667	216	37.896	204	42.4	61.1	98.4	136.1	204.4	308	56.6	81.5	131.3	181.6	272.7
244	5.79	29	5.088	168	29.475	200	29.3	42.2	68.1	94.2	-	302	39.9	57.4	92.5	128.0	-
245	6.00	28	4.913	168	29.475	193	27.8	40.0	64.5	89.2	-	292	37.9	54.6	87.9	121.6	-
246	6.00	32	5.614	192	33.686	193	33.8	48.7	78.5	108.6	-	292	45.7	65.8	105.9	146.6	-
247	6.00	36	6.316	216	37.896	193	39.6	57.1	91.9	127.2	191.0	292	53.0	76.4	123.0	170.2	255.6
248	6.35	34	5.965	216	37.896	183	36.8	52.9	85.3	118.0	-	275	49.4	71.1	114.6	158.6	-
249	6.40	30	5.263	192	33.686	181	30.9	44.4	71.6	99.0	-	273	41.8	60.2	97.0	134.3	-
250	6.62	29	5.088	192	33.686	175	29.3	42.2	68.1	94.2	-	264	39.9	57.4	92.5	128.0	-
251	6.75	32	5.614	216	37.896	172	33.8	48.7	78.5	108.6	-	259	45.7	65.8	105.9	146.6	-
252	6.86	28	4.913	192	33.686	169	27.8	40.0	64.5	89.2	-	255	37.9	54.6	87.9	121.6	-
253	7.20	30	5.263	216	37.896	161	30.9	44.4	71.6	99.0	-	243	41.8	60.2	97.0	134.3	-
254	7.45	29	5.088	216	37.896	156	29.3	42.2	68.1	94.2	-	235	39.9	57.4	92.5	128.0	-
255	7.71	28	4.913	216	37.896	150	27.8	40.0	64.5	89.2	-	227	37.9	54.6	87.9	121.6	-
Multiply Horsepower Listed by Length Correction Factor to Find Horsepower Rating -->																	

# Synchronous Plus Drive 14M

## Selection Tables

CENTER DISTANCE																		Line No.
BELT LENGTH - Length Correction Factor																		
1778	1890	2100	2310	2450	2590	2800	3150	3360	3500	3850	4326	4578	4956	5320	5740	6160	6860	
0.95	0.95	1.00	1.00	1.00	1.05	1.05	1.05	1.10	1.10	1.10	1.10	1.10	1.10	1.10	1.10	1.10	1.10	
-	-	-	-	-	-	22.50	29.96	34.32	37.19	44.30	53.88	58.92	66.47	73.71	82.05	90.37	104.23	205
-	-	-	-	20.44	23.44	27.83	35.00	39.26	42.08	49.10	58.60	63.61	71.11	78.33	86.64	94.95	108.78	206
-	15.58	20.05	24.39	27.25	30.09	34.32	41.32	45.51	48.29	55.25	64.68	69.66	77.14	84.33	92.62	100.91	114.72	207
-	-	-	-	-	-	-	-	-	27.03	34.64	44.58	49.75	57.43	64.77	73.19	81.59	95.53	208
-	-	-	-	-	-	-	24.99	29.56	32.54	39.83	49.55	54.64	62.24	69.53	77.91	86.26	100.16	209
-	15.80	20.28	24.63	27.49	30.33	34.56	41.57	45.76	48.55	55.50	64.94	69.92	77.40	84.59	92.88	101.17	114.98	210
-	-	-	-	-	-	22.94	30.42	34.79	37.66	44.79	54.37	59.42	66.97	74.21	82.56	90.89	104.75	211
-	-	-	17.78	20.88	23.89	28.29	35.48	39.74	42.57	49.59	59.10	64.11	71.62	78.84	87.16	95.47	109.30	212
-	-	-	-	-	-	-	-	-	27.46	35.09	45.05	50.22	57.91	65.26	73.69	82.09	96.03	213
-	-	-	-	-	-	-	25.42	30.01	32.99	40.29	50.03	55.13	62.73	70.03	78.41	86.77	100.67	214
-	16.02	20.51	24.86	27.73	30.57	34.81	41.82	46.01	48.80	55.76	65.19	70.18	77.66	84.85	93.15	101.44	115.25	215
-	-	-	17.99	21.10	24.11	28.52	35.72	39.98	42.81	49.84	59.35	64.37	71.88	79.10	87.42	95.73	109.57	216
-	-	-	-	-	-	23.37	30.88	35.25	38.13	45.27	54.87	59.92	67.47	74.72	83.07	91.40	105.26	217
-	-	-	-	-	-	-	-	-	27.88	35.54	45.51	50.69	58.39	65.75	74.18	82.59	96.54	218
13.63	16.13	20.62	24.98	27.85	30.69	34.93	41.95	46.14	48.93	55.88	65.32	70.31	77.79	84.98	93.28	101.57	115.38	219
13.73	16.24	20.74	25.10	27.97	30.81	35.05	42.07	46.26	49.05	56.01	65.45	70.44	77.92	85.11	93.41	101.70	115.51	220
-	-	-	18.20	21.32	24.34	28.75	35.96	40.22	43.05	50.09	59.60	64.62	72.13	79.36	87.68	95.99	109.83	221
-	-	-	-	-	-	-	25.85	30.45	33.44	40.76	50.51	55.61	63.23	70.52	78.91	87.27	101.18	222
-	-	-	-	-	-	-	-	25.09	28.31	35.98	45.98	51.17	58.87	66.23	74.68	83.09	97.04	223
-	-	-	-	-	-	23.81	31.33	35.72	38.60	45.75	55.36	60.41	67.97	75.22	83.58	91.91	105.78	224
-	-	-	18.42	21.54	24.56	28.98	36.19	40.46	43.29	50.33	59.85	64.87	72.39	79.61	87.94	96.25	110.09	225
-	-	-	-	-	-	-	26.28	30.89	33.89	41.22	50.98	56.10	63.72	71.02	79.41	87.78	101.69	226
-	-	-	-	-	19.21	24.03	31.56	35.95	38.84	45.99	55.60	60.66	68.22	75.48	83.83	92.17	106.04	227
-	-	-	18.63	21.76	24.78	29.21	36.43	40.70	43.54	50.58	60.10	65.12	72.64	79.87	88.19	96.51	110.35	228
-	-	-	-	-	-	-	-	25.51	28.74	36.43	46.44	51.64	59.35	66.72	75.17	83.58	97.55	229
-	-	-	-	-	19.42	24.24	31.79	36.18	39.07	46.23	55.85	60.91	68.47	75.73	84.08	92.42	106.30	230
-	-	-	18.84	21.98	25.01	29.44	36.67	40.94	43.78	50.83	60.35	65.38	72.90	80.12	88.45	96.77	110.61	231
-	-	-	-	-	-	-	26.71	31.34	34.34	41.69	51.46	56.58	64.21	71.51	79.91	88.28	102.20	232
-	-	-	-	-	-	-	-	25.92	29.17	36.87	46.90	52.11	59.83	67.20	75.66	84.08	98.05	233
-	-	-	-	-	19.63	24.46	32.02	36.41	39.31	46.47	56.09	61.15	68.72	75.98	84.34	92.68	106.56	234
-	-	-	18.95	22.09	25.12	29.56	36.79	41.06	43.90	50.95	60.48	65.50	73.02	80.25	88.58	96.90	110.74	235
-	-	-	-	-	-	-	26.93	31.56	34.56	41.92	51.70	56.82	64.45	71.76	80.16	88.54	102.46	236
-	-	-	19.05	22.19	25.23	29.67	36.90	41.18	44.02	51.07	60.60	65.63	73.15	80.38	88.71	97.03	110.87	237
-	-	-	-	-	19.84	24.67	32.24	36.64	39.54	46.70	56.34	61.40	68.97	76.23	84.59	92.93	106.81	238
-	-	-	-	-	-	-	27.14	31.78	34.79	42.15	51.94	57.06	64.69	72.01	80.41	88.79	102.71	239
-	-	-	-	-	-	-	-	26.34	29.59	37.32	47.37	52.58	60.31	67.69	76.15	84.57	98.55	240
-	-	-	-	-	20.05	24.89	32.47	36.87	39.77	46.94	56.58	61.65	69.22	76.48	84.84	93.19	107.07	241
-	-	-	-	-	-	-	27.35	32.00	35.01	42.38	52.17	57.30	64.94	72.25	80.66	89.04	102.96	242
-	-	-	-	-	-	-	-	26.55	29.81	37.54	47.60	52.81	60.55	67.93	76.40	84.82	98.81	243
-	-	-	-	-	20.15	25.00	32.58	36.99	39.89	47.06	56.70	61.77	69.34	76.61	84.97	93.32	107.20	244
-	-	-	-	-	20.25	25.11	32.69	37.10	40.00	47.18	56.82	61.89	69.47	76.73	85.10	93.44	107.33	245
-	-	-	-	-	-	-	27.57	32.22	35.24	42.61	52.41	57.54	65.18	72.50	80.91	89.29	103.22	246
-	-	-	-	-	-	-	-	26.76	30.02	37.76	47.83	53.04	60.78	68.17	76.64	85.07	99.06	247
-	-	-	-	-	-	-	-	26.97	30.23	37.98	48.06	53.28	61.02	68.41	76.89	85.32	99.31	248
-	-	-	-	-	-	-	27.78	32.44	35.46	42.84	52.65	57.78	65.42	72.75	81.16	89.54	103.47	249
-	-	-	-	-	-	-	27.89	32.55	35.57	42.95	52.77	57.90	65.55	72.87	81.28	89.67	103.60	250
-	-	-	-	-	-	-	-	27.17	30.45	38.20	48.29	53.51	61.26	68.65	77.13	85.56	99.56	251
-	-	-	-	-	-	-	28.00	32.66	35.68	43.07	52.89	58.02	65.67	72.99	81.41	89.79	103.73	252
-	-	-	-	-	-	-	-	27.38	30.66	38.43	48.52	53.74	61.50	68.89	77.37	85.81	99.81	253
-	-	-	-	-	-	-	-	27.49	30.76	38.54	48.63	53.86	61.62	69.01	77.50	85.93	99.93	254
-	-	-	-	-	-	-	-	27.59	30.87	38.65	48.75	53.98	61.73	69.14	77.62	86.06	100.06	255
0.95	0.95	1.00	1.00	1.00	1.05	1.05	1.05	1.10	1.10	1.10	1.10	1.10	1.10	1.10	1.10	1.10	1.10	



# Synchronous Plus Drive 20M

## Selection Tables

Line No.	Drive Ratio	Sprocket Combination				1160 RPM DriveR					1750 RPM DriveR						
		DRIVER		DRIVEN		DN	Horsepower				DN	Horsepower					
		Teeth	PD (in)	Teeth	PD (in)		RPM	115MM	170MM	230MM		290MM	340MM	RPM	115MM	170MM	230MM
<b>Multiply Horsepower Listed by Length Correction Factor to Find Horsepower Rating →</b>																	
1	1.00	34	8.522	34	8.522	1160	214	331	-	-	-	1750	277	427	-	-	-
2	1.00	36	9.023	36	9.023	1160	229	354	-	-	-	1750	292	451	-	-	-
3	1.00	38	9.524	38	9.524	1160	243	376	526	-	-	1750	307	474	663	-	-
4	1.00	40	10.026	40	10.026	1160	257	397	555	-	-	1750	321	495	692	-	-
5	1.00	44	11.028	44	11.028	1160	284	438	612	-	-	1750	345	532	744	-	-
6	1.00	48	12.031	48	12.031	1160	308	475	665	-	-	1750	365	564	788	-	-
7	1.00	52	13.033	52	13.033	1160	321	496	694	897	1071	1750	359	553	774	1001	1195
8	1.00	56	14.036	56	14.036	1160	333	513	718	929	1108	1750	356	549	768	993	1185
9	1.00	60	15.038	60	15.038	1160	342	528	738	954	1139	1750	-	-	-	-	-
10	1.00	64	16.041	64	16.041	1160	349	539	754	975	1163	1750	-	-	-	-	-
11	1.00	68	17.043	68	17.043	1160	355	547	766	990	1182	1750	-	-	-	-	-
12	1.00	72	18.046	72	18.046	1160	358	553	773	1000	1193	1750	-	-	-	-	-
13	1.00	80	20.051	80	20.051	1160	360	555	776	1004	1197	1750	-	-	-	-	-
14	1.05	38	9.524	40	10.026	1102	243	376	526	-	-	1662	307	474	663	-	-
15	1.06	36	9.023	38	9.524	1099	229	354	-	-	-	1658	292	451	-	-	-
16	1.06	34	8.522	36	9.023	1096	214	331	-	-	-	1653	277	427	-	-	-
17	1.06	68	17.043	72	18.046	1096	355	547	766	990	1182	1653	-	-	-	-	-
18	1.06	64	16.041	68	17.043	1092	349	539	754	975	1163	1647	-	-	-	-	-
19	1.07	60	15.038	64	16.041	1088	342	528	738	954	1139	1641	-	-	-	-	-
20	1.07	56	14.036	60	15.038	1083	333	513	718	929	1108	1633	356	549	768	993	1185
21	1.08	52	13.033	56	14.036	1077	321	496	694	897	1071	1625	359	553	774	1001	1195
22	1.08	48	12.031	52	13.033	1071	308	475	665	-	-	1615	365	564	788	-	-
23	1.09	44	11.028	48	12.031	1063	284	438	612	-	-	1604	345	532	744	-	-
24	1.10	40	10.026	44	11.028	1055	257	397	555	-	-	1591	321	495	692	-	-
25	1.11	36	9.023	40	10.026	1044	229	354	-	-	-	1575	292	451	-	-	-
26	1.11	72	18.046	80	20.051	1044	358	553	773	1000	1193	1575	-	-	-	-	-
27	1.12	34	8.522	38	9.524	1038	214	331	-	-	-	1566	277	427	-	-	-
28	1.13	64	16.041	72	18.046	1031	349	539	754	975	1163	1556	-	-	-	-	-
29	1.13	80	20.051	90	22.557	1031	360	555	776	1004	1197	1556	-	-	-	-	-
30	1.13	60	15.038	68	17.043	1024	342	528	738	954	1139	1544	-	-	-	-	-
31	1.14	56	14.036	64	16.041	1015	333	513	718	929	1108	1531	356	549	768	993	1185
32	1.15	52	13.033	60	15.038	1005	321	496	694	897	1071	1517	359	553	774	1001	1195
33	1.16	38	9.524	44	11.028	1002	243	376	526	-	-	1511	307	474	663	-	-
34	1.17	48	12.031	56	14.036	994	308	475	665	-	-	1500	365	564	788	-	-
35	1.18	34	8.522	40	10.026	986	214	331	-	-	-	1488	277	427	-	-	-
36	1.18	68	17.043	80	20.051	986	355	547	766	990	1182	1488	-	-	-	-	-
37	1.18	44	11.028	52	13.033	982	284	438	612	-	-	1481	345	532	744	-	-
38	1.20	40	10.026	48	12.031	967	257	397	555	-	-	1458	321	495	692	-	-
39	1.20	60	15.038	72	18.046	967	342	528	738	954	1139	1458	-	-	-	-	-
40	1.21	56	14.036	68	17.043	955	333	513	718	929	1108	1441	356	549	768	993	1185
41	1.22	36	9.023	44	11.028	949	229	354	-	-	-	1432	292	451	-	-	-
42	1.23	52	13.033	64	16.041	942	321	496	694	897	1071	1422	359	553	774	1001	1195
43	1.25	48	12.031	60	15.038	928	308	475	665	-	-	1400	365	564	788	-	-
44	1.25	64	16.041	80	20.051	928	349	539	754	975	1163	1400	-	-	-	-	-
45	1.25	72	18.046	90	22.557	928	358	553	773	1000	1193	1400	-	-	-	-	-
46	1.26	38	9.524	48	12.031	918	243	376	526	-	-	1385	307	474	663	-	-
47	1.27	44	11.028	56	14.036	911	284	438	612	-	-	1375	345	532	744	-	-
48	1.29	56	14.036	72	18.046	902	333	513	718	929	1108	1361	356	549	768	993	1185
49	1.29	34	8.522	44	11.028	896	214	331	-	-	-	1352	277	427	-	-	-
50	1.30	40	10.026	52	13.033	892	257	397	555	-	-	1346	321	495	692	-	-
51	1.31	52	13.033	68	17.043	887	321	496	694	897	1071	1338	359	553	774	1001	1195
52	1.32	68	17.043	90	22.557	876	355	547	766	990	1182	1322	-	-	-	-	-
53	1.33	36	9.023	48	12.031	870	229	354	-	-	-	1312	292	451	-	-	-
54	1.33	48	12.031	64	16.041	870	308	475	665	-	-	1312	365	564	788	-	-
55	1.33	60	15.038	80	20.051	870	342	528	738	954	1139	1312	-	-	-	-	-
56	1.36	44	11.028	60	15.038	851	284	438	612	-	-	1283	345	532	744	-	-
57	1.37	38	9.524	52	13.033	848	243	376	526	-	-	1279	307	474	663	-	-
<b>Multiply Horsepower Listed by Length Correction Factor to Find Horsepower Rating →</b>																	

# Synchronous Plus Drive 20M

## Selection Tables

CENTER DISTANCE											Line No.	
BELT LENGTH – Length Correction Factor												
2000	2500	3400	3800	4200	4600	5000	5200	5400	5800	6200		6600
<b>0.80</b>	<b>0.85</b>	<b>0.95</b>	<b>1.00</b>	<b>1.00</b>	<b>1.00</b>	<b>1.05</b>	<b>1.05</b>	<b>1.05</b>	<b>1.10</b>	<b>1.10</b>	<b>1.10</b>	
25.98	35.83	53.54	61.42	69.29	77.17	85.04	88.98	92.91	100.79	108.66	116.54	1
25.20	35.04	52.76	60.63	68.50	76.38	84.25	88.19	92.13	100.00	107.87	115.75	2
24.41	34.25	51.97	59.84	67.72	75.59	83.46	87.40	91.34	99.21	107.09	114.96	3
23.62	33.46	51.18	59.06	66.93	74.80	82.68	86.61	90.55	98.43	106.30	114.17	4
22.05	31.89	49.61	57.48	65.35	73.23	81.10	85.04	88.98	96.85	104.72	112.60	5
20.47	30.31	48.03	55.91	63.78	71.65	79.53	83.46	87.40	95.28	103.15	111.02	6
18.90	28.74	46.46	54.33	62.20	70.08	77.95	81.89	85.83	93.70	101.57	109.45	7
17.32	27.17	44.88	52.76	60.63	68.50	76.38	80.31	84.25	92.13	100.00	107.87	8
-	25.59	43.31	51.18	59.06	66.93	74.80	78.74	82.68	90.55	98.43	106.30	9
-	24.02	41.73	49.61	57.48	65.35	73.23	77.17	81.10	88.98	96.85	104.72	10
-	22.44	40.16	48.03	55.91	63.78	71.65	75.59	79.53	87.40	95.28	103.15	11
-	20.87	38.58	46.46	54.33	62.20	70.08	74.02	77.95	85.83	93.70	101.57	12
-	-	35.43	43.31	51.18	59.06	66.93	70.87	74.80	82.68	90.55	98.43	13
24.01	33.86	51.57	59.45	67.32	75.20	83.07	87.01	90.94	98.82	106.69	114.57	14
24.80	34.64	52.36	60.24	68.11	75.98	83.86	87.79	91.73	99.61	107.48	115.35	15
25.59	35.43	53.15	61.02	68.90	76.77	84.65	88.58	92.52	100.39	108.27	116.14	16
-	21.65	39.37	47.24	55.12	62.99	70.86	74.80	78.74	86.61	94.49	102.36	17
-	23.22	40.94	48.82	56.69	64.56	72.44	76.38	80.31	88.19	96.06	103.94	18
-	24.80	42.52	50.39	58.27	66.14	74.01	77.95	81.89	89.76	97.64	105.51	19
-	26.37	44.09	51.97	59.84	67.71	75.59	79.53	83.46	91.34	99.21	107.09	20
18.10	27.95	45.67	53.54	61.42	69.29	77.16	81.10	85.04	92.91	100.79	108.66	21
19.68	29.52	47.24	55.12	62.99	70.86	78.74	82.68	86.61	94.49	102.36	110.24	22
21.25	31.10	48.82	56.69	64.56	72.44	80.31	84.25	88.19	96.06	103.94	111.81	23
22.83	32.67	50.39	58.27	66.14	74.01	81.89	85.83	89.76	97.64	105.51	113.38	24
24.40	34.25	51.97	59.84	67.71	75.59	83.46	87.40	91.34	99.21	107.09	114.96	25
-	-	36.99	44.87	52.75	60.62	68.50	72.43	76.37	84.25	92.12	99.99	26
25.19	35.04	52.75	60.63	68.50	76.38	84.25	88.19	92.12	100.00	107.87	115.75	27
-	22.42	40.14	48.02	55.90	63.77	71.65	75.58	79.52	87.40	95.27	103.14	28
-	-	33.44	41.32	49.20	57.07	64.95	68.89	72.82	80.70	88.57	96.45	29
-	23.99	41.72	49.60	57.47	65.35	73.22	77.16	81.10	88.97	96.85	104.72	30
-	25.57	43.30	51.17	59.05	66.92	74.80	78.73	82.67	90.55	98.42	106.29	31
17.29	27.15	44.87	52.75	60.62	68.50	76.37	80.31	84.25	92.12	99.99	107.87	32
23.22	33.06	50.78	58.66	66.53	74.41	82.28	86.22	90.15	98.03	105.90	113.78	33
18.87	28.72	46.45	54.32	62.20	70.07	77.95	81.88	85.82	93.70	101.57	109.44	34
24.79	34.64	52.36	60.23	68.11	75.98	83.85	87.79	91.73	99.60	107.48	115.35	35
-	-	37.77	45.64	53.52	61.40	69.27	73.21	77.15	85.03	92.90	100.78	36
20.45	30.30	48.02	55.90	63.77	71.65	79.52	83.46	87.40	95.27	103.14	111.02	37
22.02	31.87	49.60	57.47	65.35	73.22	81.10	85.03	88.97	96.85	104.72	112.59	38
-	23.18	40.92	48.80	56.67	64.55	72.43	76.36	80.30	88.18	96.05	103.93	39
-	24.76	42.49	50.37	58.25	66.12	74.00	77.94	81.88	89.75	97.63	105.50	40
23.60	33.45	51.17	59.05	66.92	74.80	82.67	86.61	90.55	98.42	106.29	114.17	41
-	26.33	44.07	51.95	59.82	67.70	75.58	79.51	83.45	91.33	99.20	107.08	42
18.05	27.91	45.64	53.52	61.40	69.27	77.15	81.09	85.03	92.90	100.78	108.65	43
-	20.77	38.53	46.41	54.29	62.17	70.05	73.99	77.93	85.80	93.68	101.55	44
-	-	34.97	42.85	50.74	58.62	66.50	70.44	74.38	82.25	90.13	98.01	45
22.41	32.26	49.98	57.86	65.74	73.61	81.49	85.42	89.36	97.24	105.11	112.99	46
19.63	29.49	47.22	55.10	62.97	70.85	78.73	82.66	86.60	94.48	102.35	110.23	47
-	23.93	41.68	49.57	57.45	65.32	73.20	77.14	81.08	88.95	96.83	104.71	48
23.98	33.84	51.56	59.44	67.31	75.19	83.06	87.00	90.94	98.81	106.69	114.56	49
21.21	31.07	48.80	56.67	64.55	72.43	80.30	84.24	88.18	96.05	103.93	111.80	50
-	25.51	43.26	51.14	59.02	66.90	74.78	78.71	82.65	90.53	98.40	106.28	51
-	-	35.72	43.61	51.50	59.38	67.27	71.21	75.15	83.02	90.90	98.78	52
22.78	32.64	50.37	58.25	66.12	74.00	81.88	85.81	89.75	97.63	105.50	113.38	53
17.21	27.09	44.84	52.72	60.60	68.47	76.35	80.29	84.23	92.10	99.98	107.86	54
-	21.51	39.29	47.18	55.06	62.94	70.82	74.76	78.70	86.58	94.45	102.33	55
18.79	28.67	46.41	54.29	62.17	70.05	77.93	81.87	85.80	93.68	101.55	109.43	56
21.58	31.45	49.18	57.06	64.94	72.81	80.69	84.63	88.57	96.44	104.32	112.19	57
<b>0.80</b>	<b>0.85</b>	<b>0.95</b>	<b>1.00</b>	<b>1.00</b>	<b>1.00</b>	<b>1.05</b>	<b>1.05</b>	<b>1.05</b>	<b>1.10</b>	<b>1.10</b>	<b>1.10</b>	

# Synchronous Plus Drive 20M

## Selection Tables

Line No.	Drive Ratio	Sprocket Combination				1160 RPM DriveR						1750 RPM DriveR					
		DRIVER		DRIVEN		DN RPM	Horsepower					DN RPM	Horsepower				
		Teeth	PD (in)	Teeth	PD (in)		115MM	170MM	230MM	290MM	340MM		115MM	170MM	230MM	290MM	340MM
<b>Multiply Horsepower Listed by Length Correction Factor to Find Horsepower Rating --&gt;</b>																	
58	1.38	52	13.033	72	18.046	838	321	496	694	897	1071	1264	359	553	774	1001	1195
59	1.40	40	10.026	56	14.036	829	257	397	555	-	-	1250	321	495	692	-	-
60	1.40	80	20.051	112	28.071	829	360	555	776	1004	1197	1250	-	-	-	-	-
61	1.41	64	16.041	90	22.557	825	349	539	754	975	1163	1244	-	-	-	-	-
62	1.41	34	8.522	48	12.031	822	214	331	-	-	-	1240	277	427	-	-	-
63	1.42	48	12.031	68	17.043	819	308	475	665	-	-	1235	365	564	788	-	-
64	1.43	56	14.036	80	20.051	812	333	513	718	929	1108	1225	356	549	768	993	1185
65	1.44	36	9.023	52	13.033	803	229	354	-	-	-	1212	292	451	-	-	-
66	1.45	44	11.028	64	16.041	798	284	438	612	-	-	1203	345	532	744	-	-
67	1.47	38	9.524	56	14.036	787	243	376	526	-	-	1188	307	474	663	-	-
68	1.50	40	10.026	60	15.038	773	257	397	555	-	-	1167	321	495	692	-	-
69	1.50	48	12.031	72	18.046	773	308	475	665	-	-	1167	365	564	788	-	-
70	1.50	60	15.038	90	22.557	773	342	528	738	954	1139	1167	-	-	-	-	-
71	1.53	34	8.522	52	13.033	758	214	331	-	-	-	1144	277	427	-	-	-
72	1.54	52	13.033	80	20.051	754	321	496	694	897	1071	1138	359	553	774	1001	1195
73	1.55	44	11.028	68	17.043	751	284	438	612	-	-	1132	345	532	744	-	-
74	1.56	36	9.023	56	14.036	746	229	354	-	-	-	1125	292	451	-	-	-
75	1.56	72	18.046	112	28.071	746	358	553	773	1000	1193	1125	-	-	-	-	-
76	1.58	38	9.524	60	15.038	735	243	376	526	-	-	1108	307	474	663	-	-
77	1.60	40	10.026	64	16.041	725	257	397	555	-	-	1094	321	495	692	-	-
78	1.61	56	14.036	90	22.557	722	333	513	718	929	1108	1089	356	549	768	993	1185
79	1.64	44	11.028	72	18.046	709	284	438	612	-	-	1069	345	532	744	-	-
80	1.65	34	8.522	56	14.036	704	214	331	-	-	-	1062	277	427	-	-	-
81	1.65	68	17.043	112	28.071	704	355	547	766	990	1182	1062	-	-	-	-	-
82	1.67	36	9.023	60	15.038	696	229	354	-	-	-	1050	292	451	-	-	-
83	1.67	48	12.031	80	20.051	696	308	475	665	-	-	1050	365	564	788	-	-
84	1.68	38	9.524	64	16.041	689	243	376	526	-	-	1039	307	474	663	-	-
85	1.70	40	10.026	68	17.043	682	257	397	555	-	-	1029	321	495	692	-	-
86	1.73	52	13.033	90	22.557	670	321	496	694	897	1071	1011	359	553	774	1001	1195
87	1.75	64	16.041	112	28.071	663	349	539	754	975	1163	1000	-	-	-	-	-
88	1.76	34	8.522	60	15.038	657	214	331	-	-	-	992	277	427	-	-	-
89	1.78	36	9.023	64	16.041	652	229	354	-	-	-	984	292	451	-	-	-
90	1.79	38	9.524	68	17.043	648	243	376	526	-	-	978	307	474	663	-	-
91	1.80	40	10.026	72	18.046	644	257	397	555	-	-	972	321	495	692	-	-
92	1.80	80	20.051	144	36.092	644	360	555	776	1004	1197	972	-	-	-	-	-
93	1.82	44	11.028	80	20.051	638	284	438	612	-	-	962	345	532	744	-	-
94	1.87	60	15.038	112	28.071	621	342	528	738	954	1139	938	-	-	-	-	-
95	1.88	48	12.031	90	22.557	619	308	475	665	-	-	933	365	564	788	-	-
96	1.88	34	8.522	64	16.041	616	214	331	-	-	-	930	277	427	-	-	-
97	1.89	36	9.023	68	17.043	614	229	354	-	-	-	926	292	451	-	-	-
98	1.89	38	9.524	72	18.046	612	243	376	526	-	-	924	307	474	663	-	-
99	2.00	34	8.522	68	17.043	580	214	331	-	-	-	875	277	427	-	-	-
100	2.00	36	9.023	72	18.046	580	229	354	-	-	-	875	292	451	-	-	-
101	2.00	40	10.026	80	20.051	580	257	397	555	-	-	875	321	495	692	-	-
102	2.00	56	14.036	112	28.071	580	333	513	718	929	1108	875	356	549	768	993	1185
103	2.00	72	18.046	144	36.092	580	358	553	773	1000	1193	875	-	-	-	-	-
104	2.05	44	11.028	90	22.557	567	284	438	612	-	-	856	345	532	744	-	-
105	2.10	80	20.051	168	42.107	552	360	555	776	1004	1197	833	-	-	-	-	-
106	2.11	38	9.524	80	20.051	551	243	376	526	-	-	831	307	474	663	-	-
107	2.12	34	8.522	72	18.046	548	214	331	-	-	-	826	277	427	-	-	-
108	2.12	68	17.043	144	36.092	548	355	547	766	990	1182	826	-	-	-	-	-
109	2.15	52	13.033	112	28.071	539	321	496	694	897	1071	812	359	553	774	1001	1195
110	2.22	36	9.023	80	20.051	522	229	354	-	-	-	788	292	451	-	-	-
111	2.25	40	10.026	90	22.557	516	257	397	555	-	-	778	321	495	692	-	-
112	2.25	64	16.041	144	36.092	516	349	539	754	975	1163	778	-	-	-	-	-
113	2.33	48	12.031	112	28.071	497	308	475	665	-	-	750	365	564	788	-	-
114	2.33	72	18.046	168	42.107	497	358	553	773	1000	1193	750	-	-	-	-	-
<b>Multiply Horsepower Listed by Length Correction Factor to Find Horsepower Rating --&gt;</b>																	

# Synchronous Plus Drive 20M

## Selection Tables

CENTER DISTANCE												Line No.
BELT LENGTH - Length Correction Factor												
2000	2500	3400	3800	4200	4600	5000	5200	5400	5800	6200	6600	
<b>0.80</b>	<b>0.85</b>	<b>0.95</b>	<b>1.00</b>	<b>1.00</b>	<b>1.00</b>	<b>1.05</b>	<b>1.05</b>	<b>1.05</b>	<b>1.10</b>	<b>1.10</b>	<b>1.10</b>	
-	24.68	42.45	50.33	58.21	66.09	73.97	77.91	81.85	89.73	97.61	105.48	58
20.37	30.25	47.99	55.87	63.75	71.63	79.50	83.44	87.38	95.25	103.13	111.01	59
-	-	28.86	36.79	44.70	52.60	60.50	64.44	68.39	76.27	84.16	92.04	60
-	-	36.47	44.37	52.26	60.15	68.03	71.97	75.91	83.79	91.67	99.55	61
23.16	33.02	50.76	58.64	66.51	74.39	82.26	86.20	90.14	98.02	105.89	113.77	62
-	26.26	44.02	51.91	59.79	67.67	75.55	79.49	83.43	91.30	99.18	107.06	63
-	22.24	40.04	47.94	55.82	63.71	71.59	75.53	79.47	87.35	95.23	103.11	64
21.96	31.83	49.57	57.45	65.32	73.20	81.08	85.02	88.95	96.83	104.71	112.58	65
17.94	27.84	45.60	53.48	61.37	69.25	77.12	81.06	85.00	92.88	100.76	108.63	66
20.74	30.63	48.37	56.25	64.13	72.01	79.89	83.83	87.77	95.64	103.52	111.39	67
19.52	29.42	47.18	55.06	62.94	70.82	78.70	82.64	86.58	94.45	102.33	110.21	68
-	25.41	43.20	51.09	58.98	66.86	74.74	78.68	82.62	90.50	98.38	106.26	69
-	-	37.21	45.12	53.02	60.91	68.79	72.74	76.68	84.56	92.44	100.32	70
22.33	32.20	49.95	57.83	65.71	73.59	81.46	85.40	89.34	97.22	105.09	112.97	71
-	22.96	40.79	48.69	56.58	64.47	72.36	76.30	80.24	88.12	96.00	103.88	72
17.06	27.00	44.78	52.67	60.56	68.44	76.32	80.26	84.20	92.08	99.95	107.83	73
21.11	31.00	48.75	56.64	64.52	72.40	80.28	84.21	88.15	96.03	103.91	111.78	74
-	-	30.29	38.25	46.18	54.10	62.00	65.95	69.90	77.79	85.68	93.57	75
19.89	29.79	47.56	55.44	63.33	71.21	79.09	83.03	86.96	94.84	102.72	110.60	76
18.66	28.58	46.36	54.25	62.13	70.01	77.89	81.83	85.77	93.65	101.53	109.41	77
-	-	37.95	45.86	53.77	61.66	69.55	73.50	77.44	85.33	93.21	101.09	78
-	26.14	43.95	51.85	59.74	67.63	75.51	79.45	83.39	91.27	99.15	107.03	79
21.48	31.37	49.14	57.02	64.90	72.78	80.66	84.60	88.54	96.42	104.29	112.17	80
-	-	31.01	38.98	46.92	54.84	62.75	66.70	70.65	78.55	86.44	94.33	81
20.25	30.16	47.94	55.82	63.71	71.59	79.47	83.41	87.35	95.23	103.11	110.98	82
-	23.68	41.54	49.44	57.34	65.23	73.12	77.06	81.00	88.89	96.77	104.65	83
19.01	28.95	46.74	54.63	62.51	70.40	78.28	82.22	86.16	94.04	101.92	109.79	84
17.76	27.73	45.53	53.43	61.32	69.20	77.09	81.03	84.97	92.85	100.73	108.60	85
-	20.71	38.68	46.61	54.52	62.42	70.31	74.26	78.20	86.09	93.97	101.86	86
-	-	31.71	39.70	47.65	55.58	63.49	67.45	71.40	79.30	87.19	95.09	87
20.61	30.53	48.32	56.20	64.09	71.97	79.85	83.79	87.73	95.61	103.49	111.37	88
19.37	29.32	47.11	55.01	62.89	70.78	78.66	82.60	86.54	94.42	102.30	110.18	89
18.11	28.09	45.91	53.81	61.70	69.58	77.47	81.41	85.35	93.23	101.11	108.99	90
16.85	26.87	44.70	52.60	60.50	68.39	76.27	80.21	84.16	92.04	99.92	107.80	91
-	-	-	-	37.73	45.75	53.73	57.71	61.68	69.62	77.54	85.45	92
-	24.39	42.28	50.19	58.09	65.99	73.88	77.82	81.77	89.65	97.53	105.42	93
-	-	32.42	40.42	48.38	56.32	64.24	68.19	72.15	80.05	87.95	95.84	94
-	21.40	39.41	47.35	55.26	63.17	71.06	75.01	78.96	86.85	94.74	102.62	95
19.72	29.68	47.49	55.38	63.27	71.16	79.04	82.99	86.93	94.81	102.69	110.57	96
18.46	28.46	46.28	54.18	62.08	69.96	77.85	81.79	85.73	93.61	101.50	109.38	97
17.19	27.23	45.07	52.98	60.87	68.77	76.65	80.60	84.54	92.42	100.30	108.18	98
18.81	28.82	46.66	54.56	62.45	70.34	78.23	82.17	86.12	94.00	101.88	109.76	99
17.53	27.58	45.45	53.35	61.25	69.14	77.03	80.98	84.92	92.80	100.69	108.57	100
-	25.09	43.01	50.93	58.84	66.74	74.63	78.58	82.52	90.41	98.30	106.18	101
-	-	33.11	41.13	49.10	57.05	64.98	68.93	72.89	80.80	88.70	96.60	102
-	-	-	30.97	39.12	47.17	55.17	59.15	63.13	71.08	79.01	86.93	103
-	22.08	40.14	48.08	56.00	63.91	71.82	75.76	79.71	87.61	95.50	103.38	104
-	-	-	-	-	40.22	48.35	52.38	56.40	64.41	72.39	80.35	105
-	25.44	43.38	51.30	59.21	67.12	75.01	78.96	82.90	90.79	98.68	106.56	106
17.87	27.94	45.82	53.73	61.63	69.52	77.41	81.36	85.30	93.19	101.07	108.95	107
-	-	-	31.64	39.81	47.87	55.88	59.87	63.86	71.81	79.75	87.67	108
-	-	33.81	41.84	49.83	57.78	65.71	69.67	73.63	81.54	89.45	97.35	109
-	25.79	43.75	51.67	59.59	67.49	75.39	79.34	83.28	91.17	99.06	106.94	110
-	22.76	40.86	48.81	56.74	64.66	72.56	76.52	80.46	88.36	96.25	104.14	111
-	-	-	32.30	40.49	48.57	56.59	60.59	64.58	72.54	80.48	88.41	112
-	-	34.50	42.55	50.54	58.51	66.44	70.41	74.37	82.29	90.19	98.10	113
-	-	-	-	33.26	41.57	49.73	53.77	57.80	65.83	73.82	81.79	114
<b>0.80</b>	<b>0.85</b>	<b>0.95</b>	<b>1.00</b>	<b>1.00</b>	<b>1.00</b>	<b>1.05</b>	<b>1.05</b>	<b>1.05</b>	<b>1.10</b>	<b>1.10</b>	<b>1.10</b>	

# Synchronous Plus Drive 20M

## Selection Tables

Line No.	Drive Ratio	Sprocket Combination				1160 RPM DriveR					1750 RPM DriveR						
		DRIVER		DRIVEN		DN RPM	Horsepower					DN RPM	Horsepower				
		Teeth	PD (in)	Teeth	PD (in)		115MM	170MM	230MM	290MM	340MM		115MM	170MM	230MM	290MM	340MM
<b>Multiply Horsepower Listed by Length Correction Factor to Find Horsepower Rating --&gt;</b>																	
115	2.35	34	8.522	80	20.051	493	214	331	-	-	-	744	277	427	-	-	-
116	2.37	38	9.524	90	22.557	490	243	376	526	-	-	739	307	474	663	-	-
117	2.40	60	15.038	144	36.092	483	342	528	738	954	1139	729	-	-	-	-	-
118	2.40	80	20.051	192	48.122	483	360	555	776	1004	1197	729	-	-	-	-	-
119	2.47	68	17.043	168	42.107	470	355	547	766	990	1182	708	-	-	-	-	-
120	2.50	36	9.023	90	22.557	464	229	354	-	-	-	700	292	451	-	-	-
121	2.55	44	11.028	112	28.071	456	284	438	612	-	-	688	345	532	744	-	-
122	2.57	56	14.036	144	36.092	451	333	513	718	929	1108	681	356	549	768	993	1185
123	2.63	64	16.041	168	42.107	442	349	539	754	975	1163	667	-	-	-	-	-
124	2.65	34	8.522	90	22.557	438	214	331	-	-	-	661	277	427	-	-	-
125	2.67	72	18.046	192	48.122	435	358	553	773	1000	1193	656	-	-	-	-	-
126	2.70	80	20.051	216	54.138	430	360	555	776	1004	1197	648	-	-	-	-	-
127	2.77	52	13.033	144	36.092	419	321	496	694	897	1071	632	359	553	774	1001	1195
128	2.80	40	10.026	112	28.071	414	257	397	555	-	-	625	321	495	692	-	-
129	2.80	60	15.038	168	42.107	414	342	528	738	954	1139	625	-	-	-	-	-
130	2.82	68	17.043	192	48.122	411	355	547	766	990	1182	620	-	-	-	-	-
131	2.95	38	9.524	112	28.071	394	243	376	526	-	-	594	307	474	663	-	-
132	3.00	48	12.031	144	36.092	387	308	475	665	-	-	583	365	564	788	-	-
133	3.00	56	14.036	168	42.107	387	333	513	718	929	1108	583	356	549	768	993	1185
134	3.00	64	16.041	192	48.122	387	349	539	754	975	1163	583	-	-	-	-	-
135	3.00	72	18.046	216	54.138	387	358	553	773	1000	1193	583	-	-	-	-	-
136	3.11	36	9.023	112	28.071	373	229	354	-	-	-	562	292	451	-	-	-
137	3.18	68	17.043	216	54.138	365	355	547	766	990	1182	551	-	-	-	-	-
138	3.20	60	15.038	192	48.122	362	342	528	738	954	1139	547	-	-	-	-	-
139	3.23	52	13.033	168	42.107	359	321	496	694	897	1071	542	359	553	774	1001	1195
140	3.27	44	11.028	144	36.092	354	284	438	612	-	-	535	345	532	744	-	-
141	3.29	34	8.522	112	28.071	352	214	331	-	-	-	531	277	427	-	-	-
142	3.38	64	16.041	216	54.138	344	349	539	754	975	1163	519	-	-	-	-	-
143	3.43	56	14.036	192	48.122	338	333	513	718	929	1108	510	356	549	768	993	1185
144	3.50	48	12.031	168	42.107	331	308	475	665	-	-	500	365	564	788	-	-
145	3.60	40	10.026	144	36.092	322	257	397	555	-	-	486	321	495	692	-	-
146	3.60	60	15.038	216	54.138	322	342	528	738	954	1139	486	-	-	-	-	-
147	3.69	52	13.033	192	48.122	314	321	496	694	897	1071	474	359	553	774	1001	1195
148	3.79	38	9.524	144	36.092	306	243	376	526	-	-	462	307	474	663	-	-
149	3.82	44	11.028	168	42.107	304	284	438	612	-	-	458	345	532	744	-	-
150	3.86	56	14.036	216	54.138	301	333	513	718	929	1108	454	356	549	768	993	1185
151	4.00	36	9.023	144	36.092	290	229	354	-	-	-	438	292	451	-	-	-
152	4.00	48	12.031	192	48.122	290	308	475	665	-	-	438	365	564	788	-	-
153	4.15	52	13.033	216	54.138	279	321	496	694	897	1071	421	359	553	774	1001	1195
154	4.20	40	10.026	168	42.107	276	257	397	555	-	-	417	321	495	692	-	-
155	4.24	34	8.522	144	36.092	274	214	331	-	-	-	413	277	427	-	-	-
156	4.36	44	11.028	192	48.122	266	284	438	612	-	-	401	345	532	744	-	-
157	4.42	38	9.524	168	42.107	262	243	376	526	-	-	396	307	474	663	-	-
158	4.50	48	12.031	216	54.138	258	308	475	665	-	-	389	365	564	788	-	-
159	4.67	36	9.023	168	42.107	249	229	354	-	-	-	375	292	451	-	-	-
160	4.80	40	10.026	192	48.122	242	257	397	555	-	-	365	321	495	692	-	-
161	4.91	44	11.028	216	54.138	236	284	438	612	-	-	356	345	532	744	-	-
162	4.94	34	8.522	168	42.107	235	214	331	-	-	-	354	277	427	-	-	-
163	5.05	38	9.524	192	48.122	230	243	376	526	-	-	346	307	474	663	-	-
164	5.33	36	9.023	192	48.122	218	229	354	-	-	-	328	292	451	-	-	-
165	5.40	40	10.026	216	54.138	215	257	397	555	-	-	324	321	495	692	-	-
166	5.65	34	8.522	192	48.122	205	214	331	-	-	-	310	277	427	-	-	-
167	5.68	38	9.524	216	54.138	204	243	376	526	-	-	308	307	474	663	-	-
168	6.00	36	9.023	216	54.138	193	229	354	-	-	-	292	292	451	-	-	-
169	6.35	34	8.522	216	54.138	183	214	331	-	-	-	275	277	427	-	-	-
<b>Multiply Horsepower Listed by Length Correction Factor to Find Horsepower Rating --&gt;</b>																	

# Synchronous Plus Drive 20M

## Selection Tables

CENTER DISTANCE											Line No.
BELT LENGTH – Length Correction Factor											
2500	3400	3800	4200	4600	5000	5200	5400	5800	6200	6600	
0.85	0.95	1.00	1.00	1.00	1.05	1.05	1.05	1.10	1.10	1.10	
26.14	44.11	52.04	59.96	67.87	75.76	79.71	83.66	91.55	99.44	107.33	115
23.10	41.22	49.17	57.11	65.03	72.94	76.89	80.84	88.74	96.63	104.52	116
-	-	32.96	41.17	49.27	57.30	61.30	65.29	73.26	81.21	89.14	117
-	-	-	-	-	42.57	46.71	50.82	58.96	67.03	75.07	118
-	-	-	33.90	42.24	50.41	54.46	58.50	66.54	74.54	82.51	119
23.43	41.58	49.54	57.48	65.40	73.31	77.26	81.21	89.11	97.01	104.90	120
-	35.19	43.25	51.26	59.23	67.18	71.14	75.11	83.03	90.94	98.85	121
-	-	33.62	41.85	49.96	58.01	62.01	66.01	73.98	81.93	89.87	122
-	-	-	34.55	42.90	51.09	55.15	59.20	67.24	75.25	83.23	123
23.77	41.93	49.90	57.84	65.77	73.68	77.64	81.59	89.49	97.38	105.28	124
-	-	-	-	35.39	43.88	48.04	52.16	60.33	68.43	76.47	125
-	-	-	-	-	-	40.51	44.79	53.17	61.41	69.57	126
-	-	34.28	42.53	50.66	58.71	62.72	66.72	74.70	82.66	90.60	127
-	35.87	43.96	51.97	59.95	67.90	71.87	75.84	83.77	91.68	99.59	128
-	-	-	35.19	43.57	51.77	55.84	59.89	67.94	75.96	83.95	129
-	-	-	-	36.02	44.53	48.70	52.83	61.01	69.12	77.18	130
-	36.21	44.30	52.33	60.31	68.27	72.24	76.21	84.13	92.05	99.96	131
-	26.39	34.94	43.21	51.35	59.41	63.43	67.43	75.42	83.38	91.33	132
-	-	-	35.83	44.23	52.45	56.52	60.58	68.64	76.67	84.66	133
-	-	-	-	36.65	45.18	49.36	53.50	61.69	69.81	77.88	134
-	-	-	-	-	-	41.77	46.07	54.49	62.76	70.93	135
-	36.55	44.65	52.68	60.67	68.63	72.60	76.57	84.50	92.42	100.34	136
-	-	-	-	-	37.99	42.40	46.71	55.15	63.43	71.61	137
-	-	-	-	37.27	45.83	50.02	54.17	62.37	70.50	78.57	138
-	-	-	36.47	44.89	53.13	57.21	61.27	69.34	77.37	85.38	139
-	27.01	35.59	43.88	52.03	60.11	64.13	68.14	76.13	84.11	92.06	140
-	36.89	45.00	53.04	61.03	68.99	72.97	76.94	84.87	92.79	100.71	141
-	-	-	-	-	38.61	43.03	47.35	55.80	64.10	72.29	142
-	-	-	-	37.90	46.48	50.68	54.83	63.05	71.19	79.27	143
-	-	-	37.11	45.55	53.80	57.89	61.95	70.04	78.08	86.09	144
-	27.64	36.24	44.55	52.72	60.81	64.83	68.84	76.85	84.83	92.79	145
-	-	-	-	-	39.22	43.65	47.99	56.46	64.77	72.97	146
-	-	-	-	38.52	47.13	51.33	55.49	63.73	71.87	79.96	147
-	27.94	36.56	44.88	53.06	61.16	65.18	69.20	77.20	85.18	93.15	148
-	-	28.89	37.75	46.21	54.48	58.57	62.64	70.73	78.78	86.80	149
-	-	-	-	-	39.84	44.28	48.62	57.11	65.43	73.65	150
-	28.25	36.89	45.22	53.40	61.50	65.53	69.55	77.56	85.54	93.51	151
-	-	-	-	39.15	47.77	51.99	56.16	64.40	72.56	80.66	152
-	-	-	-	-	40.45	44.90	49.26	57.76	66.10	74.32	153
-	-	29.50	38.38	46.86	55.15	59.25	63.32	71.43	79.48	87.51	154
-	28.56	37.21	45.55	53.74	61.85	65.88	69.90	77.91	85.90	93.87	155
-	-	-	-	39.77	48.42	52.64	56.82	65.07	73.24	81.35	156
-	-	29.80	38.70	47.19	55.48	59.58	63.66	71.77	79.83	87.86	157
-	-	-	-	-	41.06	45.53	49.89	58.41	66.76	75.00	158
-	-	30.10	39.01	47.51	55.82	59.92	64.00	72.12	80.18	88.21	159
-	-	-	31.19	40.39	49.06	53.29	57.47	65.74	73.92	82.04	160
-	-	-	-	-	41.67	46.15	50.52	59.06	67.42	75.67	161
-	-	30.40	39.33	47.84	56.15	60.26	64.34	72.46	80.53	88.57	162
-	-	-	31.49	40.70	49.38	53.61	57.80	66.08	74.26	82.39	163
-	-	-	31.78	41.01	49.70	53.94	58.13	66.41	74.60	82.73	164
-	-	-	-	-	42.28	46.77	51.15	59.71	68.08	76.34	165
-	-	-	32.08	41.32	50.02	54.26	58.46	66.75	74.94	83.07	166
-	-	-	-	-	42.58	47.08	51.46	60.03	68.41	76.68	167
-	-	-	-	-	42.89	47.39	51.78	60.35	68.74	77.01	168
-	-	-	-	33.60	43.19	47.70	52.09	60.67	69.07	77.35	169
0.85	0.95	1.00	1.00	1.00	1.05	1.05	1.05	1.10	1.10	1.10	

# Synchronous Plus Drive Horsepower Ratings 5M

## 15MM WIDE

The following tables represent the horsepower ratings for each belt at the pre-determined No. of Teeth, Pitch Diameters and RPMs. These ratings must be multiplied by the applicable belt length factor to obtain corrected HP rating.

No Teeth	32	34	36	38	40	44	48	52	56	60	64	68	72
PD (in.)	2.005	2.130	2.256	2.381	2.506	2.757	3.008	3.258	3.509	3.760	4.010	4.261	4.511
1160	1.82	1.98	2.13	2.28	2.43	2.73	3.02	3.31	3.59	3.86	4.13	4.38	4.64
1460	2.23	2.42	2.62	2.81	3.00	3.37	3.74	4.09	4.44	4.78	5.12	5.44	5.76
1750	2.61	2.84	3.07	3.30	3.53	3.97	4.41	4.84	5.25	5.66	6.05	6.44	6.81
2900	4.03	4.41	4.79	5.16	5.53	6.25	6.96	7.64	8.30	8.94	9.56	10.16	10.74
3500	4.72	5.17	5.63	6.07	6.51	7.37	8.20	9.01	9.79	10.54	11.25	11.94	12.60
10	0.02	0.03	0.03	0.03	0.03	0.03	0.03	0.04	0.04	0.04	0.04	0.05	0.05
20	0.05	0.05	0.05	0.05	0.06	0.06	0.07	0.07	0.08	0.08	0.09	0.09	0.10
40	0.09	0.09	0.10	0.10	0.11	0.12	0.13	0.14	0.15	0.16	0.17	0.18	0.19
60	0.13	0.14	0.14	0.15	0.16	0.17	0.19	0.20	0.22	0.23	0.25	0.26	0.27
100	0.20	0.22	0.23	0.24	0.26	0.28	0.31	0.33	0.36	0.38	0.40	0.43	0.45
200	0.38	0.41	0.43	0.46	0.49	0.54	0.59	0.64	0.69	0.73	0.78	0.83	0.87
300	0.55	0.59	0.63	0.67	0.71	0.78	0.86	0.93	1.01	1.08	1.15	1.21	1.28
400	0.71	0.76	0.81	0.87	0.92	1.02	1.12	1.22	1.32	1.41	1.51	1.60	1.69
500	0.86	0.93	1.00	1.06	1.13	1.26	1.38	1.51	1.63	1.75	1.86	1.98	2.09
600	1.02	1.10	1.18	1.26	1.33	1.49	1.64	1.79	1.93	2.08	2.21	2.35	2.48
800	1.31	1.42	1.53	1.63	1.74	1.94	2.14	2.34	2.53	2.72	2.91	3.09	3.26
1000	1.60	1.73	1.86	2.00	2.13	2.38	2.64	2.88	3.12	3.36	3.59	3.81	4.03
1250	1.94	2.11	2.28	2.44	2.60	2.92	3.24	3.55	3.85	4.14	4.42	4.70	4.98
2000	2.93	3.19	3.46	3.72	3.98	4.49	4.98	5.47	5.94	6.40	6.84	7.28	7.70
2500	3.55	3.88	4.21	4.53	4.85	5.48	6.09	6.69	7.27	7.83	8.38	8.91	9.42
3000	4.14	4.54	4.93	5.31	5.70	6.44	7.17	7.87	8.55	9.22	9.85	10.47	11.06
4000	5.27	5.79	6.30	6.80	7.30	8.26	9.20	10.10	10.96	11.79	12.58	13.33	14.04
4500	5.80	6.37	6.94	7.50	8.05	9.12	10.15	11.13	12.07	12.97	13.81	14.61	15.36
5000	6.31	6.94	7.56	8.18	8.78	9.94	11.05	12.11	13.12	14.07	14.96	15.78	16.55
5500	6.80	7.48	8.16	8.82	9.47	10.72	11.91	13.04	14.09	15.08	16.00	16.83	17.59
6000	7.26	8.00	8.73	9.44	10.13	11.46	12.71	13.89	14.99	16.00	16.93	-	-
7000	8.13	8.97	9.78	10.57	11.34	12.80	14.16	15.40	16.53	-	-	-	-
8000	8.91	9.83	10.72	11.57	12.40	13.95	15.35	-	-	-	-	-	-
9000	9.59	10.57	11.52	12.43	13.29	14.88	-	-	-	-	-	-	-
10000	10.16	11.20	12.19	13.12	-	-	-	-	-	-	-	-	-



# Synchronous Plus Drive Horsepower Ratings 5M

## 25MM – WIDE

The following tables represent the horsepower ratings for each belt at the pre-determined No. of Teeth, Pitch Diameters and RPMs. These ratings must be multiplied by the applicable belt length factor to obtain corrected HP rating.

No Teeth PD (in.)	32 2.005	34 2.130	36 2.256	38 2.381	40 2.506	44 2.757	48 3.008	52 3.258	56 3.509	60 3.760	64 4.010	68 4.261	72 4.511
1160	3.26	3.54	3.81	4.09	4.36	4.89	5.41	5.92	6.42	6.91	7.38	7.85	8.30
1460	3.99	4.34	4.68	5.03	5.37	6.03	6.69	7.33	7.95	8.56	9.16	9.74	10.30
1750	4.67	5.09	5.50	5.91	6.32	7.12	7.90	8.66	9.40	10.13	10.83	11.52	12.19
2900	7.21	7.89	8.57	9.24	9.90	11.19	12.45	13.68	14.86	16.01	17.12	18.20	19.23
3500	8.44	9.26	10.07	10.87	11.65	13.19	14.68	16.13	17.52	18.86	20.15	21.38	22.56
10	0.04	0.05	0.05	0.05	0.05	0.06	0.06	0.07	0.07	0.08	0.08	0.08	0.09
20	0.08	0.09	0.09	0.10	0.10	0.11	0.12	0.13	0.14	0.15	0.15	0.16	0.17
40	0.16	0.17	0.18	0.19	0.20	0.21	0.23	0.25	0.27	0.28	0.30	0.32	0.33
60	0.23	0.24	0.26	0.27	0.28	0.31	0.34	0.37	0.39	0.42	0.44	0.47	0.49
100	0.36	0.39	0.41	0.43	0.46	0.50	0.55	0.59	0.64	0.68	0.72	0.76	0.80
200	0.68	0.73	0.78	0.82	0.87	0.96	1.05	1.14	1.23	1.31	1.40	1.48	1.56
300	0.98	1.05	1.12	1.19	1.26	1.40	1.54	1.67	1.80	1.93	2.05	2.18	2.29
400	1.27	1.36	1.46	1.55	1.65	1.83	2.01	2.19	2.36	2.53	2.70	2.86	3.02
500	1.55	1.67	1.79	1.90	2.02	2.25	2.48	2.70	2.92	3.13	3.34	3.54	3.74
600	1.82	1.96	2.11	2.25	2.39	2.66	2.94	3.20	3.46	3.72	3.96	4.21	4.45
800	2.35	2.54	2.73	2.92	3.11	3.48	3.84	4.19	4.54	4.87	5.20	5.53	5.84
1000	2.86	3.10	3.34	3.57	3.81	4.27	4.72	5.16	5.59	6.01	6.42	6.83	7.22
1250	3.48	3.78	4.08	4.37	4.66	5.24	5.80	6.35	6.88	7.41	7.92	8.42	8.91
2000	5.24	5.72	6.19	6.66	7.12	8.03	8.92	9.78	10.63	11.45	12.25	13.03	13.79
2500	6.35	6.95	7.53	8.11	8.69	9.81	10.91	11.98	13.02	14.03	15.00	15.95	16.87
3000	7.42	8.13	8.82	9.51	10.20	11.53	12.83	14.09	15.32	16.50	17.64	18.74	19.80
4000	9.43	10.36	11.27	12.17	13.06	14.79	16.46	18.07	19.62	21.10	22.52	23.86	25.13
4500	10.38	11.41	12.43	13.43	14.41	16.33	18.17	19.93	21.61	23.21	24.73	26.16	27.49
5000	11.29	12.43	13.54	14.64	15.71	17.79	19.79	21.69	23.49	25.18	26.77	28.26	29.62
5500	12.17	13.40	14.61	15.79	16.95	19.19	21.32	23.34	25.23	27.00	28.64	30.14	31.50
6000	13.00	14.33	15.63	16.89	18.13	20.51	22.76	24.87	26.84	28.65	30.30	-	-
7000	14.56	16.05	17.51	18.93	20.30	22.92	25.34	27.57	29.60	-	-	-	-
8000	15.95	17.59	19.18	20.72	22.20	24.97	27.49	-	-	-	-	-	-
9000	17.16	18.93	20.62	22.24	23.79	26.63	-	-	-	-	-	-	-
10000	18.19	20.05	21.81	23.48	-	-	-	-	-	-	-	-	-

# Synchronous Plus Drive Horsepower Ratings 8M

The following tables represent the horsepower ratings for each belt at the pre-determined No. of Teeth, Pitch Diameters and RPMs. These ratings must be multiplied by the applicable belt length factor to obtain corrected HP rating.

## 20MM WIDE

No Teeth PD (in.)	22 2.206	24 2.406	26 2.607	28 2.807	30 3.008	32 3.208	34 3.409	36 3.609	38 3.81	40 4.01	44 4.411	48 4.812	56 5.614	64 6.416	72.00 7.218	80.00 8.020
1160	4.13	4.71	5.28	5.84	6.39	6.92	7.45	7.97	8.48	8.99	9.98	10.94	12.80	14.57	16.28	17.92
1460	4.91	5.60	6.27	6.93	7.58	8.22	8.84	9.45	10.06	10.65	11.81	12.94	15.12	17.19	19.17	21.07
1750	5.62	6.40	7.17	7.93	8.66	9.39	10.10	10.79	11.48	12.15	13.47	14.74	17.19	19.52	21.74	23.87
2900	7.96	9.08	10.18	11.24	12.29	13.31	14.30	15.28	16.23	17.17	19.00	20.75	24.10	27.24	30.20	33.01
3500	8.77	10.05	11.29	12.50	13.68	14.82	15.95	17.04	18.12	19.17	21.21	23.17	26.89	30.36	-	-
10	0.12	0.13	0.14	0.15	0.16	0.17	0.18	0.20	0.21	0.22	0.24	0.26	0.29	0.33	0.37	0.41
20	0.20	0.22	0.24	0.26	0.27	0.29	0.31	0.33	0.35	0.37	0.41	0.44	0.51	0.58	0.65	0.72
40	0.33	0.36	0.40	0.44	0.47	0.51	0.54	0.58	0.61	0.64	0.71	0.78	0.91	1.03	1.16	1.28
60	0.45	0.50	0.55	0.60	0.65	0.70	0.75	0.80	0.84	0.89	0.99	1.08	1.26	1.44	1.62	1.79
100	0.66	0.74	0.82	0.89	0.97	1.05	1.12	1.20	1.27	1.35	1.49	1.63	1.91	2.19	2.45	2.71
200	1.11	1.26	1.40	1.54	1.67	1.81	1.94	2.08	2.21	2.34	2.59	2.85	3.34	3.81	4.28	4.74
300	1.51	1.71	1.91	2.10	2.29	2.48	2.67	2.85	3.03	3.21	3.57	3.91	4.59	5.25	5.89	6.51
400	1.87	2.12	2.37	2.62	2.86	3.09	3.33	3.56	3.79	4.01	4.46	4.89	5.74	6.56	7.36	8.13
500	2.21	2.51	2.81	3.10	3.39	3.67	3.95	4.22	4.50	4.76	5.29	5.81	6.82	7.79	8.73	9.64
600	2.53	2.88	3.22	3.56	3.89	4.21	4.54	4.85	5.17	5.48	6.08	6.68	7.83	8.94	10.02	11.06
800	3.13	3.57	4.00	4.42	4.83	5.24	5.64	6.03	6.42	6.81	7.56	8.30	9.72	11.09	12.42	13.69
1000	3.70	4.22	4.73	5.22	5.71	6.19	6.67	7.14	7.59	8.05	8.94	9.80	11.48	13.08	14.62	16.11
1200	4.24	4.84	5.42	5.99	6.55	7.10	7.64	8.18	8.70	9.22	10.23	11.22	13.12	14.94	16.68	18.36
1400	4.76	5.43	6.08	6.72	7.35	7.96	8.57	9.17	9.75	10.33	11.46	12.56	14.67	16.68	18.61	20.46
1600	5.26	5.99	6.71	7.42	8.11	8.79	9.46	10.11	10.75	11.39	12.63	13.83	16.14	18.34	20.44	22.45
1800	5.74	6.54	7.32	8.09	8.84	9.58	10.30	11.01	11.71	12.40	13.74	15.04	17.54	19.91	22.17	24.33
2000	6.19	7.06	7.91	8.73	9.54	10.34	11.12	11.88	12.63	13.37	14.81	16.20	18.87	21.40	23.81	26.10
2400	7.04	8.03	8.99	9.93	10.85	11.75	12.63	13.49	14.34	15.17	16.79	18.36	21.35	24.17	26.84	29.39
2800	7.79	8.89	9.96	11.00	12.02	13.01	13.99	14.94	15.88	16.79	18.58	20.30	23.58	26.66	29.57	32.33
3200	8.41	9.61	10.78	11.92	13.03	14.12	15.18	16.22	17.23	18.23	20.16	22.03	25.56	28.88	31.99	-
3600	8.87	10.17	11.44	12.67	13.87	15.04	16.18	17.29	18.39	19.46	21.53	23.52	27.29	30.81	-	-
4000	9.15	10.55	11.90	13.22	14.50	15.75	16.96	18.15	19.32	20.45	22.65	24.76	28.75	-	-	-
4400	9.23	10.71	12.15	13.54	14.90	16.22	17.51	18.77	19.99	21.19	23.51	25.73	29.91	-	-	-
4800	9.06	10.62	12.14	13.61	15.04	16.43	17.79	19.11	20.40	21.65	24.08	26.40	-	-	-	-
5200	8.62	10.26	11.85	13.40	14.90	16.35	17.77	19.15	20.49	21.80	24.33	-	-	-	-	-

## 30MM WIDE

1160	6.53	7.45	8.35	9.23	10.09	10.94	11.77	12.60	13.40	14.20	15.76	17.29	20.22	23.03	25.72	28.31
1460	7.76	8.85	9.91	10.95	11.98	12.98	13.97	14.94	15.89	16.83	18.67	20.45	23.89	27.16	30.29	33.29
1750	8.88	10.12	11.33	12.52	13.69	14.83	15.95	17.05	18.13	19.20	21.28	23.30	27.17	30.84	34.35	37.71
2900	12.57	14.35	16.08	17.77	19.41	21.02	22.60	24.14	25.65	27.13	30.01	32.79	38.08	43.04	47.72	52.16
3500	13.86	15.87	17.84	19.75	21.61	23.42	25.20	26.93	28.63	30.29	33.51	36.61	42.48	47.96	-	-
10	0.19	0.21	0.23	0.24	0.26	0.28	0.29	0.31	0.32	0.34	0.37	0.40	0.47	0.53	0.59	0.65
20	0.31	0.34	0.37	0.40	0.43	0.46	0.49	0.52	0.55	0.58	0.64	0.70	0.81	0.92	1.03	1.14
40	0.52	0.58	0.63	0.69	0.74	0.80	0.85	0.91	0.96	1.02	1.12	1.23	1.43	1.63	1.83	2.02
60	0.70	0.79	0.87	0.95	1.03	1.10	1.18	1.26	1.33	1.41	1.56	1.71	2.00	2.28	2.55	2.83
100	1.04	1.17	1.29	1.41	1.54	1.66	1.78	1.89	2.01	2.13	2.36	2.58	3.02	3.45	3.88	4.29
200	1.76	1.99	2.21	2.43	2.64	2.86	3.07	3.28	3.49	3.69	4.10	4.50	5.27	6.03	6.76	7.48
300	2.39	2.70	3.01	3.32	3.62	3.92	4.21	4.50	4.79	5.07	5.63	6.18	7.26	8.30	9.30	10.29
400	2.96	3.36	3.75	4.13	4.51	4.89	5.26	5.62	5.98	6.34	7.04	7.73	9.07	10.37	11.63	12.85
500	3.49	3.97	4.43	4.90	5.35	5.80	6.24	6.67	7.10	7.53	8.36	9.18	10.77	12.31	13.79	15.23
600	4.00	4.55	5.09	5.62	6.14	6.66	7.17	7.67	8.16	8.65	9.61	10.55	12.37	14.13	15.83	17.48
800	4.95	5.64	6.32	6.98	7.63	8.28	8.91	9.53	10.15	10.76	11.95	13.11	15.37	17.53	19.62	21.63
1000	5.85	6.66	7.47	8.25	9.03	9.79	10.54	11.27	12.00	12.72	14.12	15.49	18.13	20.67	23.10	25.45
1200	6.70	7.64	8.56	9.46	10.35	11.22	12.07	12.92	13.75	14.56	16.16	17.72	20.73	23.60	26.35	29.00
1400	7.52	8.57	9.61	10.62	11.61	12.58	13.54	14.48	15.41	16.32	18.10	19.84	23.18	26.36	29.41	32.33
1600	8.31	9.47	10.61	11.72	12.82	13.89	14.94	15.97	16.99	17.99	19.95	21.85	25.50	28.97	32.29	35.47
1800	9.06	10.33	11.57	12.78	13.97	15.14	16.28	17.40	18.51	19.59	21.71	23.77	27.71	31.45	35.02	38.44
2000	9.79	11.16	12.49	13.80	15.08	16.33	17.56	18.77	19.95	21.12	23.39	25.60	29.81	33.81	37.61	41.25
2400	11.13	12.69	14.21	15.69	17.14	18.56	19.95	21.32	22.66	23.97	26.53	29.00	33.73	38.19	42.41	46.43
2800	12.31	14.04	15.73	17.38	18.99	20.56	22.10	23.61	25.09	26.54	29.36	32.08	37.25	42.12	46.72	51.08
3200	13.28	15.18	17.03	18.83	20.59	22.30	23.98	25.62	27.23	28.80	31.86	34.80	40.39	45.63	50.55	-
3600	14.02	16.07	18.07	20.01	21.91	23.76	25.56	27.33	29.05	30.74	34.02	37.16	43.12	48.69	-	-
4000	14.46	16.67	18.80	20.88	22.91	24.88	26.80	28.68	30.52	32.31	35.79	39.13	45.42	-	-	-
4400	14.58	16.92	19.19	21.40	23.54	25.63	27.67	29.65	31.59	33.49	37.15	40.66	47.26	-	-	-
4800	14.31	16.79	19.18	21.51	23.77	25.97	28.11	30.19	32.23	34.21	38.05	41.71	-	-	-	-
5200	13.61	16.21	18.73	21.17	23.54	25.84	28.08	30.26	32.38	34.45	38.44	-	-	-	-	-

# Synchronous Plus Drive Horsepower Ratings 8M

## 50MM WIDE

The following tables represent the horsepower ratings for each belt at the pre-determined No. of Teeth, Pitch Diameters and RPMs. These ratings must be multiplied by the applicable belt length factor to obtain corrected HP rating.

Smallest Sprocket RPM	No Teeth	28	30	32	34	36	38	40	44	48	56	64	72.00	80.00
	PD (in.)	2.807	3.008	3.208	3.409	3.609	3.81	4.010	4.411	4.812	5.614	6.416	7.218	8.020
1160	16.00	17.49	18.97	20.42	21.84	23.24	24.63	27.34	29.97	35.06	39.93	44.60	49.10	
1460	18.99	20.77	22.51	24.22	25.90	27.55	29.18	32.37	35.46	41.42	47.09	52.52	57.73	
1750	21.71	23.73	25.71	27.66	29.57	31.44	33.29	36.90	40.39	47.11	53.48	59.57	65.39	
2900	30.81	33.66	36.45	39.18	41.86	44.48	47.05	52.04	56.86	66.02	74.63	82.75	90.44	
3500	34.24	37.47	40.62	43.69	46.70	49.64	52.52	58.11	63.48	73.66	83.17	-	-	
10	0.42	0.45	0.48	0.51	0.53	0.56	0.59	0.65	0.70	0.81	0.91	1.02	1.12	
20	0.70	0.75	0.81	0.86	0.91	0.96	1.01	1.11	1.21	1.41	1.60	1.79	1.98	
40	1.19	1.29	1.39	1.48	1.58	1.67	1.76	1.95	2.13	2.48	2.83	3.17	3.51	
60	1.64	1.78	1.91	2.05	2.18	2.31	2.44	2.70	2.96	3.46	3.95	4.43	4.90	
100	2.45	2.66	2.87	3.08	3.28	3.49	3.69	4.08	4.48	5.24	5.99	6.72	7.44	
200	4.21	4.58	4.96	5.32	5.69	6.05	6.40	7.10	7.79	9.14	10.45	11.73	12.97	
300	5.75	6.28	6.79	7.30	7.81	8.30	8.80	9.77	10.72	12.58	14.38	16.13	17.84	
400	7.17	7.82	8.47	9.12	9.75	10.38	11.00	12.22	13.41	15.73	17.98	20.16	22.28	
500	8.49	9.27	10.05	10.82	11.57	12.32	13.05	14.50	15.92	18.68	21.34	23.91	26.41	
600	9.74	10.65	11.54	12.43	13.30	14.15	15.00	16.67	18.30	21.46	24.50	27.45	30.30	
800	12.10	13.24	14.35	15.45	16.53	17.60	18.65	20.72	22.74	26.64	30.40	34.01	37.51	
1000	14.31	15.65	16.97	18.27	19.55	20.81	22.05	24.48	26.86	31.44	35.84	40.06	44.14	
1200	16.41	17.94	19.45	20.94	22.40	23.84	25.25	28.03	30.73	35.94	40.92	45.70	50.29	
1400	18.41	20.13	21.82	23.48	25.11	26.72	28.30	31.39	34.40	40.19	45.71	50.99	56.07	
1600	20.33	22.22	24.08	25.91	27.70	29.46	31.20	34.59	37.89	44.22	50.24	55.99	61.51	
1800	22.17	24.23	26.25	28.23	30.18	32.09	33.97	37.65	41.21	48.05	54.54	60.73	66.65	
2000	23.93	26.15	28.32	30.45	32.55	34.60	36.62	40.56	44.38	51.70	58.63	65.22	71.52	
2400	27.21	29.72	32.19	34.60	36.96	39.28	41.56	46.00	50.29	58.48	66.21	73.54	80.51	
2800	30.13	32.93	35.65	38.32	40.94	43.50	46.01	50.90	55.62	64.60	73.04	81.01	88.57	
3200	32.65	35.70	38.68	41.58	44.43	47.22	49.94	55.25	60.35	70.04	79.12	87.66	-	
3600	34.70	37.99	41.19	44.32	47.38	50.38	53.30	58.98	64.44	74.78	84.42	-	-	
4000	36.21	39.72	43.14	46.48	49.74	52.92	56.03	62.06	67.85	78.76	-	-	-	
4400	37.10	40.82	44.45	47.98	51.42	54.78	58.06	64.42	70.50	81.95	-	-	-	
4800	37.30	41.22	45.03	48.74	52.36	55.88	59.33	65.97	72.33	-	-	-	-	
5200	36.71	40.82	44.81	48.69	52.47	56.15	59.74	66.66	-	-	-	-	-	

## 85MM WIDE

1160				35.54	38.02	40.47	42.88	47.59	52.19	61.04	69.51	77.64	85.47
1460				42.16	45.09	47.97	50.81	56.35	61.74	72.11	81.99	91.44	100.51
1750				48.15	51.48	54.75	57.96	64.24	70.33	82.01	93.12	103.71	113.84
2900				68.22	72.88	77.44	81.91	90.61	98.99	114.95	129.93	144.07	157.45
3500				76.07	81.30	86.42	91.44	101.17	110.52	128.24	144.80	-	-
10				0.88	0.93	0.98	1.03	1.12	1.22	1.41	1.59	1.77	1.95
20				1.49	1.58	1.67	1.76	1.94	2.11	2.45	2.79	3.12	3.44
40				2.58	2.74	2.91	3.07	3.39	3.70	4.32	4.93	5.52	6.11
60				3.57	3.80	4.03	4.26	4.71	5.15	6.02	6.88	7.71	8.53
100				5.36	5.72	6.07	6.42	7.11	7.79	9.13	10.43	11.70	12.95
200				9.27	9.90	10.53	11.15	12.37	13.57	15.92	18.20	20.42	22.59
300				12.71	13.59	14.46	15.32	17.01	18.67	21.91	25.04	28.09	31.06
400				15.87	16.98	18.07	19.14	21.27	23.35	27.39	31.31	35.10	38.79
500				18.83	20.14	21.44	22.73	25.25	27.72	32.52	37.15	41.63	45.99
600				21.63	23.15	24.64	26.12	29.02	31.85	37.36	42.66	47.79	52.76
800				26.90	28.78	30.64	32.47	36.07	39.58	46.39	52.92	59.22	65.31
1000				31.81	34.03	36.23	38.39	42.63	46.76	54.74	62.39	69.74	76.84
1200				36.45	39.00	41.50	43.97	48.80	53.50	62.57	71.24	79.56	87.56
1400				40.88	43.72	46.51	49.27	54.65	59.89	69.97	79.57	88.77	97.61
1600				45.10	48.23	51.30	54.32	60.22	65.96	76.98	87.46	97.48	107.08
1800				49.15	52.54	55.87	59.15	65.54	71.75	83.65	94.95	105.73	116.03
2000				53.02	56.66	60.24	63.76	70.62	77.27	90.01	102.07	113.55	124.52
2400				60.24	64.36	68.39	72.36	80.09	87.56	101.82	115.28	128.04	140.17
2800				66.72	71.27	75.74	80.11	88.62	96.84	112.47	127.16	141.04	154.20
3200				72.40	77.35	82.20	86.95	96.18	105.07	121.94	137.74	152.61	-
3600				77.17	82.49	87.70	92.80	102.69	112.20	130.19	146.98	-	-
4000				80.92	86.59	92.13	97.55	108.05	118.12	137.13	-	-	-
4400				83.53	89.52	95.37	101.09	112.15	122.74	142.67	-	-	-
4800				84.85	91.15	97.29	103.29	114.86	125.93	-	-	-	-
5200				84.76	91.34	97.75	104.01	116.06	-	-	-	-	-

# Synchronous Plus Drive Horsepower Ratings 14M

## 40MM WIDE

The following tables represent the horsepower ratings for each belt at the pre-determined No. of Teeth, Pitch Diameters and RPMs. These ratings must be multiplied by the applicable belt length factor to obtain corrected HP rating.

No Teeth	28	29	30	32	34	36	38	40	44	48	52	56	60	64	68	72	80
PD (in.)	4.913	5.088	5.263	5.614	5.965	6.316	6.667	7.018	7.720	8.421	9.123	9.825	10.527	11.229	11.930	12.632	14.036
1160	27.79	29.33	30.85	33.84	36.76	39.62	42.41	45.15	50.46	55.58	60.51	65.27	69.87	74.33	78.65	82.84	90.85
1460	33.05	34.83	36.59	40.03	43.40	46.68	49.88	53.01	59.07	64.88	70.45	75.81	80.97	85.94	90.73	95.37	104.17
1750	37.88	39.87	41.83	45.66	49.40	53.03	56.57	60.03	66.69	73.05	79.12	84.94	90.52	95.87	101.01	105.95	115.29
2900	52.52	55.12	57.68	62.64	67.44	72.06	76.54	80.86	89.10	96.82	-	-	-	-	-	-	-
3500	55.00	57.82	60.59	65.95	71.10	76.06	80.82	85.41	-	-	-	-	-	-	-	-	-
10	0.52	0.52	0.52	0.52	0.52	0.53	0.53	0.55	0.57	0.60	0.64	0.68	0.73	0.78	0.83	0.88	1.00
20	1.13	1.16	1.19	1.25	1.31	1.38	1.44	1.51	1.65	1.79	1.94	2.09	2.24	2.40	2.55	2.71	3.03
40	2.18	2.26	2.34	2.50	2.67	2.84	3.01	3.17	3.51	3.85	4.19	4.53	4.87	5.20	5.54	5.88	6.54
60	3.08	3.21	3.34	3.60	3.86	4.12	4.38	4.64	5.16	5.67	6.18	6.69	7.19	7.69	8.19	8.68	9.66
100	4.66	4.88	5.10	5.53	5.96	6.38	6.81	7.23	8.06	8.89	9.71	10.51	11.31	12.10	12.88	13.65	15.18
200	7.89	8.29	8.70	9.50	10.29	11.07	11.85	12.61	14.12	15.61	17.07	18.50	19.91	21.30	22.67	24.02	26.67
400	12.96	13.68	14.38	15.78	17.16	18.52	19.87	21.19	23.78	26.31	28.79	31.20	33.57	35.89	38.16	40.39	44.74
600	17.24	18.22	19.18	21.08	22.94	24.78	26.58	28.35	31.83	35.20	38.48	41.67	44.79	47.83	50.80	53.71	59.34
800	21.17	22.36	23.55	25.87	28.16	30.40	32.60	34.76	38.97	43.05	47.01	50.85	54.58	58.21	61.75	65.20	71.84
1000	24.90	26.29	27.67	30.38	33.04	35.63	38.18	40.68	45.53	50.22	54.75	59.13	63.38	67.50	71.51	75.40	82.87
1200	28.51	30.08	31.63	34.69	37.67	40.59	43.44	46.23	51.66	56.87	61.90	66.74	71.43	75.96	80.35	84.61	92.74
1400	32.01	33.75	35.46	38.82	42.10	45.31	48.43	51.49	57.41	63.09	68.54	73.79	78.85	83.73	88.44	92.99	101.66
1600	35.41	37.30	39.16	42.80	46.35	49.81	53.18	56.47	62.84	68.92	74.75	80.34	85.71	90.88	95.86	100.65	109.74
1800	38.68	40.70	42.70	46.59	50.39	54.08	57.67	61.18	67.93	74.37	80.53	86.41	92.05	97.46	102.65	107.64	-
2000	41.79	43.94	46.05	50.18	54.20	58.10	61.89	65.59	72.69	79.45	85.88	92.02	97.88	103.48	108.85	-	-
2400	47.34	49.71	52.04	56.58	60.98	65.25	69.38	73.40	81.09	88.36	95.24	101.76	-	-	-	-	-
2800	51.68	54.24	56.75	61.64	66.36	70.92	75.34	79.61	87.75	95.40	-	-	-	-	-	-	-
3200	54.36	57.08	59.75	64.92	69.91	74.72	79.35	83.82	92.30	-	-	-	-	-	-	-	-
3600	54.91	57.76	60.56	65.98	71.18	76.18	80.98	-	-	-	-	-	-	-	-	-	-
4000	52.82	55.79	58.70	64.31	69.69	-	-	-	-	-	-	-	-	-	-	-	-

Smallest Sprocket RPM

## 55MM WIDE

1160	40.02	42.24	44.43	48.73	52.93	57.05	61.07	65.01	72.67	80.03	87.13	93.99	100.62	107.04	113.26	119.29	130.82
1460	47.59	50.15	52.68	57.65	62.49	67.22	71.83	76.34	85.07	93.42	101.45	109.17	116.59	123.75	130.66	137.33	150.00
1750	54.55	57.41	60.23	65.76	71.13	76.36	81.47	86.44	96.03	105.19	113.94	122.31	130.35	138.05	145.46	152.57	166.01
2900	75.63	79.38	83.05	90.21	97.11	103.77	110.21	116.44	128.30	139.43	-	-	-	-	-	-	-
3500	79.20	83.26	87.25	94.97	102.39	109.52	116.38	122.99	-	-	-	-	-	-	-	-	-
10	0.75	0.75	0.74	0.74	0.75	0.76	0.77	0.78	0.82	0.87	0.92	0.98	1.05	1.12	1.19	1.27	1.44
20	1.63	1.67	1.71	1.80	1.89	1.98	2.08	2.17	2.37	2.58	2.79	3.01	3.23	3.45	3.68	3.90	4.36
40	3.13	3.25	3.37	3.61	3.85	4.09	4.33	4.57	5.06	5.54	6.03	6.52	7.01	7.49	7.98	8.46	9.42
60	4.44	4.63	4.81	5.19	5.56	5.94	6.31	6.68	7.42	8.16	8.90	9.63	10.35	11.07	11.79	12.50	13.91
100	6.71	7.02	7.34	7.96	8.58	9.19	9.80	10.41	11.61	12.80	13.98	15.14	16.29	17.42	18.55	19.66	21.86
200	11.36	11.94	12.52	13.67	14.81	15.94	17.06	18.16	20.34	22.48	24.58	26.64	28.68	30.68	32.65	34.59	38.40
400	18.66	19.69	20.71	22.73	24.72	26.68	28.61	30.51	34.25	37.89	41.45	44.93	48.34	51.68	54.95	58.17	64.42
600	24.83	26.23	27.62	30.35	33.04	35.68	38.27	40.83	45.83	50.68	55.41	60.01	64.49	68.87	73.15	77.34	85.45
800	30.48	32.20	33.91	37.26	40.55	43.78	46.94	50.06	56.12	62.00	67.69	73.22	78.59	83.82	88.92	93.88	103.46
1000	35.85	37.86	39.85	43.75	47.57	51.31	54.98	58.58	65.57	72.32	78.84	85.15	91.27	97.21	102.97	108.57	119.33
1200	41.05	43.32	45.55	49.95	54.24	58.44	62.55	66.58	74.38	81.89	89.13	96.11	102.86	109.39	115.71	121.84	133.55
1400	46.10	48.60	51.07	55.91	60.63	65.24	69.74	74.15	82.67	90.85	98.70	106.26	113.55	120.57	127.36	133.91	146.39
1600	51.00	53.71	56.39	61.63	66.74	71.72	76.58	81.32	90.48	99.24	107.64	115.69	123.43	130.87	138.04	144.94	158.02
1800	55.70	58.61	61.48	67.10	72.56	77.87	83.05	88.09	97.82	107.10	115.96	124.44	132.56	140.35	147.82	155.00	-
2000	60.18	63.27	66.31	72.26	78.04	83.66	89.12	94.44	104.67	114.40	123.67	132.51	140.95	149.02	156.74	-	-
2400	68.17	71.58	74.94	81.48	87.82	93.96	99.91	105.70	116.77	127.23	137.14	146.54	-	-	-	-	-
2800	74.42	78.10	81.72	88.76	95.56	102.13	108.48	114.63	126.36	137.37	-	-	-	-	-	-	-
3200	78.28	82.20	86.03	93.49	100.67	107.59	114.26	120.70	132.91	-	-	-	-	-	-	-	-
3600	79.07	83.18	87.21	95.01	102.50	109.69	116.61	-	-	-	-	-	-	-	-	-	-
4000	76.07	80.34	84.52	92.61	100.35	-	-	-	-	-	-	-	-	-	-	-	-

DRIVES WITHIN SHADED AREA MAY GENERATE OBJECTIONABLE NOISE LEVELS UNLESS ACOUSTICALLY GUARDED

# Synchronous Plus Drive Horsepower Ratings 14M

## 85MM WIDE

The following tables represent the horsepower ratings for each belt at the pre-determined No. of Teeth, Pitch Diameters and RPMs. These ratings must be multiplied by the applicable belt length factor to obtain corrected HP rating.

No Teeth	28	29	30	32	34	36	38	40	44	48	52	56	60	64	68	72	80
PD (in.)	4.913	5.088	5.263	5.614	5.965	6.316	6.667	7.018	7.720	8.421	9.123	9.825	10.527	11.229	11.930	12.632	14.036
1160	64.48	68.05	71.58	78.51	85.28	91.91	98.39	104.74	117.07	128.94	140.38	151.43	162.11	172.45	182.47	192.18	210.77
1460	76.67	80.80	84.88	92.88	100.68	108.29	115.73	122.99	137.05	150.52	163.45	175.88	187.84	199.38	210.50	221.25	241.67
1750	87.88	92.49	97.04	105.94	114.60	123.03	131.25	139.26	154.72	169.47	183.56	197.06	210.00	222.42	234.35	245.81	267.47
2900	121.85	127.89	133.81	145.33	156.45	167.19	177.57	187.60	206.71	224.63	-	-	-	-	-	-	-
3500	127.60	134.15	140.56	153.01	164.96	176.45	187.50	198.14	-	-	-	-	-	-	-	-	-
10	1.21	1.20	1.20	1.20	1.21	1.22	1.24	1.26	1.33	1.40	1.49	1.58	1.69	1.80	1.92	2.05	2.32
20	2.63	2.70	2.76	2.90	3.05	3.19	3.35	3.50	3.83	4.16	4.50	4.85	5.20	5.56	5.92	6.29	7.02
40	5.05	5.24	5.43	5.81	6.20	6.58	6.97	7.36	8.15	8.93	9.72	10.50	11.29	12.07	12.85	13.63	15.18
60	7.15	7.45	7.75	8.36	8.96	9.56	10.16	10.76	11.96	13.15	14.33	15.51	16.68	17.84	18.99	20.14	22.41
100	10.81	11.32	11.82	12.82	13.82	14.81	15.79	16.77	18.71	20.62	22.52	24.39	26.24	28.07	29.88	31.68	35.21
200	18.30	19.24	20.17	22.03	23.87	25.68	27.48	29.26	32.77	36.21	39.60	42.93	46.20	49.43	52.60	55.73	61.87
400	30.07	31.73	33.37	36.62	39.82	42.98	46.09	49.16	55.17	61.05	66.78	72.39	77.88	83.26	88.53	93.71	103.79
600	40.01	42.26	44.49	48.90	53.22	57.48	61.66	65.78	73.83	81.66	89.27	96.68	103.91	110.96	117.86	124.60	137.66
800	49.11	51.88	54.63	60.03	65.33	70.53	75.63	80.65	90.42	99.88	109.06	117.96	126.62	135.05	143.25	151.25	166.68
1000	57.76	61.00	64.20	70.49	76.64	82.67	88.58	94.37	105.64	116.51	127.02	137.19	147.05	156.61	165.90	174.93	192.26
1200	66.14	69.79	73.39	80.47	87.39	94.16	100.78	107.26	119.84	131.94	143.60	154.85	165.72	176.24	186.42	196.29	215.16
1400	74.27	78.30	82.27	90.07	97.68	105.11	112.37	119.46	133.20	146.37	159.02	171.20	182.94	194.26	205.19	215.75	235.85
1600	82.16	86.53	90.84	99.29	107.52	115.55	123.38	131.02	145.78	159.89	173.42	186.39	198.86	210.85	222.39	233.52	254.59
1800	89.74	94.43	99.05	108.10	116.89	125.46	133.80	141.93	157.60	172.55	186.82	200.48	213.57	226.11	238.16	249.73	-
2000	96.95	101.93	106.83	116.42	125.73	134.78	143.59	152.16	168.64	184.31	199.24	213.48	227.08	240.08	252.53	-	-
2400	109.83	115.33	120.73	131.27	141.48	151.38	160.97	170.29	188.13	204.99	220.95	236.09	-	-	-	-	-
2800	119.90	125.83	131.66	143.00	153.96	164.54	174.78	184.69	203.57	221.32	-	-	-	-	-	-	-
3200	126.12	132.43	138.61	150.63	162.19	173.34	184.09	194.46	214.13	-	-	-	-	-	-	-	-
3600	127.39	134.01	140.50	153.07	165.14	176.73	187.87	-	-	-	-	-	-	-	-	-	-
4000	122.55	129.44	136.18	149.20	161.67	-	-	-	-	-	-	-	-	-	-	-	-

Smallest Sprocket RPM

## 115MM WIDE

1160	89.22	94.16	99.04	108.63	118.00	127.16	136.14	144.93	161.98	178.40	194.23	209.52	224.30	238.60	252.47	265.91	291.63
1460	106.08	111.80	117.44	128.51	139.31	149.84	160.12	170.18	189.62	208.26	226.15	243.35	259.90	275.86	291.26	306.12	334.38
1750	121.59	127.97	134.26	146.58	158.56	170.23	181.60	192.69	214.07	234.48	253.98	272.66	290.56	307.74	324.25	340.11	370.07
2900	168.60	176.95	185.14	201.09	216.47	231.33	245.68	259.57	286.01	310.81	-	-	-	-	-	-	-
3500	176.55	185.61	194.49	211.70	228.24	244.14	259.43	274.15	-	-	-	-	-	-	-	-	-
10	1.67	1.66	1.66	1.66	1.67	1.69	1.72	1.75	1.83	1.94	2.06	2.19	2.34	2.50	2.66	2.84	3.21
20	3.64	3.73	3.82	4.01	4.21	4.42	4.63	4.85	5.29	5.75	6.23	6.71	7.20	7.69	8.19	8.70	9.72
40	6.98	7.25	7.51	8.04	8.57	9.11	9.65	10.19	11.27	12.36	13.45	14.53	15.62	16.70	17.78	18.86	21.01
60	9.89	10.31	10.73	11.56	12.40	13.23	14.06	14.89	16.55	18.20	19.83	21.46	23.08	24.68	26.28	27.87	31.00
100	14.96	15.66	16.36	17.74	19.12	20.49	21.85	23.20	25.88	28.53	31.15	33.74	36.30	38.84	41.35	43.83	48.72
200	25.32	26.62	27.91	30.48	33.02	35.54	38.02	40.49	45.34	50.11	54.79	59.39	63.93	68.39	72.78	77.12	85.61
400	41.61	43.90	46.17	50.67	55.10	59.46	63.77	68.01	76.34	84.46	92.40	100.16	107.76	115.20	122.50	129.66	143.60
600	55.35	58.47	61.56	67.66	73.64	79.53	85.32	91.02	102.16	112.98	123.51	133.77	143.77	153.53	163.07	172.40	190.47
800	67.95	71.78	75.58	83.06	90.39	97.58	104.65	111.58	125.11	138.20	150.89	163.22	175.20	186.85	198.21	209.28	230.62
1000	79.92	84.40	88.82	97.53	106.04	114.38	122.56	130.58	146.17	161.21	175.75	189.82	203.46	216.69	229.54	242.03	266.01
1200	91.51	96.56	101.55	111.35	120.92	130.28	139.44	148.41	165.81	182.55	198.68	214.25	229.29	243.85	257.94	271.60	297.71
1400	102.76	108.34	113.84	124.63	135.15	145.43	155.47	165.29	184.29	202.52	220.03	236.88	253.11	268.78	283.90	298.51	326.33
1600	113.68	119.73	125.69	137.38	148.77	159.87	170.70	181.28	201.70	221.23	239.94	257.90	275.14	291.73	307.71	323.10	352.26
1800	124.17	130.66	137.05	149.57	161.74	173.59	185.13	196.38	218.06	238.74	258.49	277.39	295.49	312.85	329.52	345.53	-
2000	134.14	141.03	147.82	161.08	173.97	186.49	198.67	210.53	233.34	255.02	275.68	295.38	314.19	332.19	349.40	-	-
2400	151.97	159.57	167.04	181.63	195.76	209.45	222.73	235.61	260.30	283.63	305.72	326.66	-	-	-	-	-
2800	165.89	174.10	182.16	197.86	213.02	227.66	241.83	255.54	281.67	306.22	-	-	-	-	-	-	-
3200	174.50	183.23	191.78	208.41	224.41	239.84	254.71	269.05	296.28	-	-	-	-	-	-	-	-
3600	176.26	185.42	194.40	211.79	228.49	244.53	259.94	-	-	-	-	-	-	-	-	-	-
4000	169.56	179.10	188.42	206.44	223.69	-	-	-	-	-	-	-	-	-	-	-	-

DRIVES WITHIN SHADED AREA MAY GENERATE OBJECTIONABLE NOISE LEVELS UNLESS ACOUSTICALLY GUARDED

# Synchronous Plus Drive Horsepower Ratings 14M

## 170MM WIDE

The following tables represent the horsepower ratings for each belt at the pre-determined No. of Teeth, Pitch Diameters and RPMs. These ratings must be multiplied by the applicable belt length factor to obtain corrected HP rating.

Smallest Sprocket RPM	No. Teeth	36	38	40	44	48	52	56	60	64	68	72	80
	PD (in.)	6.316	6.667	7.018	7.720	8.421	9.123	9.825	10.527	11.229	11.930	12.632	14.036
1160	190.95	204.42	217.61	243.23	267.88	291.65	314.60	336.80	358.28	379.09	399.28	437.90	
1460	224.99	240.44	255.53	284.73	312.71	339.57	365.40	390.26	414.22	437.34	459.66	502.09	
1750	255.61	272.68	289.33	321.44	352.08	381.37	409.41	436.29	462.09	486.88	510.70	555.68	
2900	347.35	368.91	389.76	429.46	466.70	-	-	-	-	-	-	-	-
3500	366.59	389.55	411.66	-	-	-	-	-	-	-	-	-	-
10	2.54	2.58	2.63	2.75	2.91	3.09	3.29	3.51	3.75	4.00	4.26	4.82	
20	6.64	6.95	7.28	7.95	8.64	9.35	10.07	10.81	11.55	12.30	13.06	14.59	
40	13.68	14.49	15.30	16.93	18.56	20.19	21.82	23.45	25.08	26.70	28.32	31.55	
60	19.87	21.12	22.36	24.85	27.32	29.78	32.22	34.65	37.06	39.46	41.84	46.55	
100	30.77	32.81	34.84	38.87	42.85	46.78	50.67	54.51	58.32	62.08	65.81	73.15	
200	53.36	57.09	60.79	68.08	75.24	82.27	89.18	95.99	102.69	109.29	115.79	128.54	
400	89.29	95.75	102.13	114.63	126.83	138.74	150.40	161.80	172.98	183.94	194.69	215.63	
600	119.42	128.11	136.67	153.40	169.65	185.46	200.86	215.88	230.54	244.86	258.87	286.01	
800	146.53	157.13	167.55	187.86	207.51	226.57	245.08	263.07	280.57	297.62	314.24	346.29	
1000	171.75	184.03	196.07	219.48	242.06	263.89	285.02	305.50	325.37	344.67	363.42	399.43	
1200	195.63	209.38	222.85	248.98	274.12	298.34	321.71	344.30	366.15	387.31	407.82	447.02	
1400	218.37	233.45	248.19	276.72	304.09	330.39	355.69	380.07	403.58	426.29	448.24	490.00	
1600	240.06	256.32	272.20	302.87	332.19	360.29	387.25	413.15	438.06	462.04	485.15	528.93	
1800	260.65	277.98	294.87	327.43	358.48	388.14	416.52	443.70	469.77	494.79	518.83	-	
2000	280.03	298.32	316.12	350.37	382.93	413.94	443.53	471.78	498.80	524.64	-	-	
2400	314.50	334.43	353.79	390.85	425.88	459.05	490.50	-	-	-	-	-	
2800	341.85	363.12	383.70	422.94	459.81	-	-	-	-	-	-	-	
3200	360.13	382.46	404.00	444.88	-	-	-	-	-	-	-	-	
3600	367.17	390.32	-	-	-	-	-	-	-	-	-	-	

DRIVES WITHIN SHADED AREA MAY GENERATE OBJECTIONABLE NOISE LEVELS UNLESS ACOUSTICALLY GUARDED

# Synchronous Plus Drive Horsepower Ratings 20M

## 115MM WIDE

The following tables represent the horsepower ratings for each belt at the pre-determined No. of Teeth, Pitch Diameters and RPMs. These ratings must be multiplied by the applicable belt length factor to obtain corrected HP rating.

Smallest Sprocket RPM	No. Teeth	34	36	38	40	44	48	52	56	60	64	68	72	80	90
	PD (in.)	8.522	9.023	9.524	10.026	11.028	12.031	13.033	14.036	15.038	16.041	17.043	18.046	20.051	22.557
870	176.31	189.07	201.57	213.80	237.50	260.16	273.10	286.07	298.03	308.95	318.84	327.67	342.13	354.14	
960	188.63	202.14	215.33	228.19	252.95	276.44	289.67	302.43	313.94	324.18	333.13	340.79	352.17	358.95	
1160	214.38	229.17	243.48	257.32	283.58	307.97	321.42	332.58	341.86	349.25	354.72	358.26	359.51	-	
1460	249.24	265.02	280.04	294.32	320.69	344.20	353.88	359.64	362.35	361.98	358.51	-	-	-	
1750	276.59	292.31	306.98	320.63	344.91	365.30	358.62	355.69	-	-	-	-	-	-	
10	2.87	2.93	3.03	3.16	3.52	3.99	4.19	4.54	4.88	5.19	5.48	5.74	6.20	6.64	
20	5.59	5.85	6.13	6.45	7.17	8.02	8.62	9.21	9.78	10.33	10.86	11.36	12.31	13.36	
40	11.18	11.82	12.48	13.18	14.66	16.27	17.72	18.81	19.88	20.93	21.96	22.97	24.93	27.26	
60	16.80	17.81	18.86	19.94	22.20	24.57	26.87	28.47	30.05	31.61	33.15	34.67	37.66	41.26	
100	27.87	29.65	31.47	33.31	37.10	41.00	44.88	47.50	50.10	52.68	55.23	57.77	62.76	68.86	
200	53.93	57.58	61.25	64.94	72.39	79.92	86.98	92.04	97.05	102.02	106.93	111.80	121.35	132.97	
300	77.44	82.84	88.24	93.65	104.48	115.30	124.51	131.74	138.87	145.89	152.80	159.60	172.85	188.73	
400	98.60	105.62	112.62	119.59	133.46	147.22	157.79	166.87	175.77	184.47	192.96	201.26	217.22	235.96	
500	117.75	126.25	134.69	143.07	159.64	175.96	187.38	197.97	208.26	218.23	227.87	237.19	254.84	274.98	
600	135.21	145.05	154.79	164.42	183.36	201.88	213.84	225.58	236.86	247.68	258.02	267.88	286.15	306.18	
700	151.31	162.35	173.23	183.96	204.94	225.29	237.64	250.16	262.04	273.28	283.85	293.76	311.56	329.95	
800	166.33	178.42	190.31	201.97	224.66	246.49	259.19	272.12	284.19	295.39	305.73	315.18	331.41	346.60	
900	180.48	193.50	206.24	218.70	242.78	265.74	278.78	291.72	303.56	314.30	323.92	332.40	345.94	356.35	
1000	193.95	207.76	221.21	234.32	259.47	283.24	296.58	309.15	320.34	330.16	338.57	345.57	355.30	359.34	
1100	206.87	221.33	235.36	248.96	274.90	299.15	312.64	324.45	334.57	343.01	349.73	354.73	359.50	355.55	
1200	219.29	234.28	248.76	262.72	289.13	313.56	326.90	337.55	346.18	352.77	357.31	359.78	358.45	-	
1400	242.67	258.34	273.31	287.59	314.13	338.02	349.17	356.30	360.64	362.15	360.83	-	-	-	
1600	263.51	279.37	294.35	308.44	334.06	356.32	360.39	362.38	360.68	-	-	-	-	-	
1800	280.29	295.90	310.42	323.86	347.58	367.23	355.56	-	-	-	-	-	-	-	
2000	290.57	305.51	319.14	331.49	352.44	368.60	-	-	-	-	-	-	-	-	

## 170MM WIDE

870	272.08	291.77	311.06	329.94	366.51	401.48	421.44	441.47	459.92	476.78	492.03	505.66	527.98	546.51
960	291.10	311.95	332.30	352.15	390.36	426.61	447.01	466.71	484.47	500.27	514.09	525.90	543.48	553.94
1160	330.83	353.66	375.75	397.10	437.62	475.26	496.02	513.24	527.57	538.96	547.40	552.87	554.79	-
1460	384.63	408.97	432.16	454.19	494.89	531.17	546.11	555.01	559.18	558.61	553.25	-	-	-
1750	426.83	451.09	473.73	494.79	532.26	563.73	553.43	548.90	-	-	-	-	-	-
10	4.42	4.53	4.68	4.88	5.43	6.16	6.46	7.01	7.53	8.01	8.45	8.86	9.57	10.25
20	8.63	9.02	9.46	9.95	11.06	12.37	13.30	14.21	15.09	15.94	16.75	17.53	18.99	20.62
40	17.26	18.23	19.26	20.33	22.62	25.11	27.35	29.03	30.68	32.30	33.89	35.45	38.47	42.06
60	25.92	27.49	29.11	30.77	34.25	37.92	41.46	43.93	46.37	48.78	51.16	53.51	58.11	63.67
100	43.01	45.76	48.56	51.41	57.25	63.27	69.25	73.30	77.31	81.29	85.24	89.15	96.85	106.26
200	83.22	88.85	94.52	100.22	111.72	123.34	134.23	142.04	149.78	157.44	165.02	172.52	187.27	205.21
300	119.51	127.84	136.18	144.53	161.23	177.93	192.14	203.30	214.30	225.14	235.80	246.30	266.74	291.25
400	152.17	163.00	173.79	184.55	205.95	227.18	243.50	257.52	271.25	284.67	297.78	310.58	335.21	364.14
500	181.71	194.83	207.85	220.78	246.36	271.54	289.17	305.52	321.38	336.77	351.66	366.04	393.27	424.35
600	208.66	223.84	238.87	253.73	282.96	311.54	329.99	348.11	365.52	382.22	398.18	413.40	441.58	472.50
700	233.51	250.54	267.33	283.89	316.26	347.67	366.73	386.05	404.39	421.72	438.04	453.33	480.80	509.18
800	256.67	275.34	293.68	311.69	346.70	380.39	399.99	419.93	438.56	455.85	471.80	486.39	511.43	534.87
900	278.52	298.61	318.27	337.49	374.65	410.10	430.21	450.18	468.46	485.03	499.87	512.97	533.86	549.93
1000	299.31	320.61	341.38	361.60	400.42	437.10	457.68	477.07	494.36	509.50	522.48	533.29	548.30	554.53
1100	319.24	341.55	363.21	384.20	424.22	461.65	482.46	500.69	516.32	529.33	539.70	547.42	554.78	548.69
1200	338.41	361.54	383.88	405.43	446.19	483.89	504.48	520.91	534.23	544.40	551.41	555.21	553.15	-
1400	374.49	398.67	421.77	443.82	484.77	521.64	538.84	549.85	556.54	558.88	556.83	-	-	-
1600	406.65	431.13	454.24	475.99	515.52	549.88	556.15	559.23	556.60	-	-	-	-	-
1800	432.54	456.64	479.04	499.78	536.38	566.72	548.70	-	-	-	-	-	-	-
2000	448.40	471.46	492.50	511.55	543.88	568.83	-	-	-	-	-	-	-	-

DRIVES WITHIN SHADED AREA MAY GENERATE OBJECTIONABLE NOISE LEVELS UNLESS ACOUSTICALLY GUARDED



# Synchronous Plus Drive Horsepower Ratings 20M

## 230MM WIDE

The following tables represent the horsepower ratings for each belt at the pre-determined No. of Teeth, Pitch Diameters and RPMs. These ratings must be multiplied by the applicable belt length factor to obtain corrected HP rating.

No. Teeth	38	40	44	48	52	56	60	64	68	72	80	90
	PD (in.)	9.524	10.026	11.028	12.031	13.033	14.036	15.038	16.041	17.043	18.046	20.051
870	435.07	461.48	512.63	561.54	589.47	617.48	643.28	666.87	688.20	707.25	738.47	764.40
960	464.78	492.54	545.99	596.69	625.23	652.78	677.62	699.72	719.04	735.57	760.15	774.78
1160	525.55	555.42	612.09	664.74	693.77	717.86	737.90	753.84	765.64	773.29	775.98	-
1460	604.45	635.27	692.19	742.94	763.84	776.28	782.12	781.32	773.82	-	-	-
1750	662.60	692.06	744.46	788.49	774.07	767.74	-	-	-	-	-	-
10	6.55	6.83	7.59	8.61	9.04	9.81	10.53	11.20	11.82	12.39	13.38	14.34
20	13.23	13.91	15.47	17.30	18.60	19.88	21.11	22.29	23.43	24.52	26.57	28.85
40	26.94	28.44	31.64	35.12	38.25	40.60	42.91	45.18	47.40	49.58	53.81	58.83
60	40.71	43.04	47.91	53.04	58.00	61.45	64.86	68.23	71.56	74.84	81.28	89.06
100	67.92	71.90	80.07	88.49	96.86	102.52	108.13	113.70	119.22	124.69	135.47	148.63
200	132.20	140.17	156.26	172.51	187.75	198.67	209.49	220.21	230.81	241.31	261.93	287.02
300	190.47	202.15	225.51	248.87	268.75	284.35	299.74	314.90	329.82	344.49	373.09	407.36
400	243.08	258.13	288.06	317.76	340.59	360.19	379.39	398.16	416.51	434.41	468.86	509.31
500	290.72	308.80	344.58	379.80	404.46	427.32	449.52	471.03	491.85	511.97	550.05	593.53
600	334.10	354.89	395.77	435.74	461.56	486.90	511.25	534.60	556.93	578.21	617.63	660.88
700	373.92	397.07	442.35	486.28	512.94	539.96	565.61	589.85	612.68	634.07	672.48	712.18
800	410.77	435.95	484.92	532.04	559.46	587.35	613.40	637.60	659.90	680.31	715.33	748.12
900	445.16	472.05	524.02	573.59	601.73	629.66	655.23	678.41	699.16	717.48	746.70	769.18
1000	477.48	505.76	560.06	611.37	640.14	667.28	691.45	712.63	730.79	745.90	766.89	775.61
1100	508.01	537.38	593.35	645.70	674.81	700.30	722.16	740.37	754.88	765.66	775.96	767.45
1200	536.93	567.07	624.08	676.81	705.60	728.59	747.22	761.45	771.24	776.57	773.69	-
1400	589.93	620.76	678.04	729.61	753.67	769.06	778.42	781.69	778.83	-	-	-
1600	635.34	665.76	721.05	769.11	777.88	782.19	778.50	-	-	-	-	-
1800	670.02	699.03	750.23	792.66	767.46	-	-	-	-	-	-	-
2000	688.85	715.50	760.72	795.61	-	-	-	-	-	-	-	-

## 290MM WIDE

870					762.44	798.66	832.04	862.55	890.14	914.79	955.17	988.70
960					808.69	844.33	876.46	905.04	930.04	951.41	983.20	1002.13
1160					897.35	928.51	954.42	975.04	990.31	1000.20	1003.68	-
1460					987.98	1004.06	1011.62	1010.58	1000.89	-	-	-
1750					1001.20	993.03	-	-	-	-	-	-
10					11.69	12.69	13.62	14.48	15.29	16.02	17.31	18.55
20					24.06	25.71	27.30	28.84	30.31	31.72	34.36	37.31
40					49.48	52.52	55.50	58.43	61.31	64.13	69.60	76.09
60					75.01	79.48	83.89	88.25	92.55	96.80	105.13	115.19
100					125.29	132.60	139.86	147.06	154.20	161.28	175.22	192.24
200					242.84	256.96	270.96	284.82	298.54	312.11	338.80	371.24
300					347.61	367.79	387.69	407.30	426.60	445.58	482.56	526.90
400					440.52	465.88	490.71	515.00	538.72	561.88	606.44	658.76
500					523.14	552.71	581.42	609.25	636.18	662.20	711.46	767.69
600					596.99	629.77	661.27	691.47	720.35	747.88	798.87	854.80
700					663.45	698.41	731.58	762.94	792.46	820.13	869.81	921.16
800					723.62	759.70	793.40	824.69	853.54	879.93	925.23	967.64
900					778.30	814.43	847.50	877.47	904.32	928.01	965.81	994.88
1000					827.98	863.08	894.34	921.74	945.23	964.78	991.93	1003.20
1100					872.83	905.79	934.07	957.61	976.38	990.33	1003.65	992.64
1200					912.65	942.38	966.48	984.88	997.55	1004.44	1000.71	-
1400					974.82	994.73	1006.83	1011.07	1007.37	-	-	-
1600					1006.14	1011.71	1006.94	-	-	-	-	-
1800					992.66	-	-	-	-	-	-	-

DRIVES WITHIN SHADED AREA MAY GENERATE OBJECTIONABLE NOISE LEVELS UNLESS ACOUSTICALLY GUARDED

# Synchronous Plus Drive Horsepower Ratings 20M

## Selection Tables

### 340MM WIDE

The following tables represent the horsepower ratings for each belt at the pre-determined No. of Teeth, Pitch Diameters and RPMs. These ratings must be multiplied by the applicable belt length factor to obtain corrected HP rating.

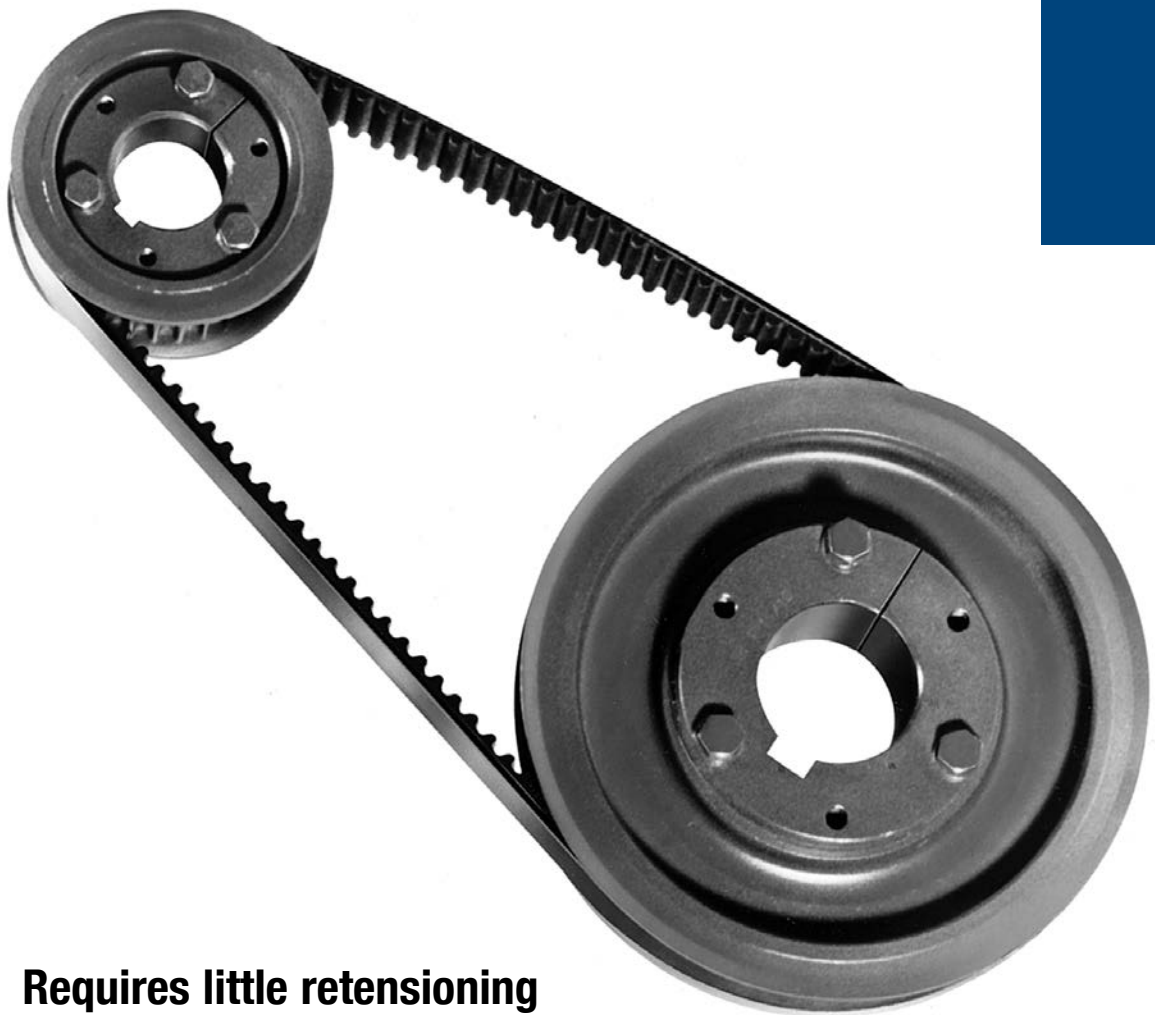
Smallest Sprocket RPM	No. Teeth	52	56	60	64	68	72	80	90
	PD (in.)	13.033	14.036	15.038	16.041	17.043	18.046	20.051	22.557
870	909.67	952.89	992.72	1029.11	1062.03	1091.44	1139.62	1179.63	1195.65
960	964.86	1007.38	1045.71	1079.81	1109.63	1135.14	1173.07	1195.65	-
1160	1070.64	1107.81	1138.73	1163.32	1181.55	1193.34	1197.49	-	-
1460	1178.76	1197.96	1206.97	1205.74	1194.17	-	-	-	-
1750	1194.55	1184.79	-	-	-	-	-	-	-
10	13.95	15.14	16.25	17.28	18.24	19.12	20.65	22.13	-
20	28.71	30.68	32.58	34.41	36.16	37.85	41.00	44.52	-
40	59.03	62.66	66.22	69.72	73.15	76.51	83.04	90.79	-
60	89.50	94.82	100.09	105.29	110.43	115.50	125.43	137.44	-
100	149.48	158.21	166.87	175.46	183.98	192.42	209.06	229.37	-
200	289.73	306.58	323.28	339.82	356.19	372.38	404.22	442.93	-
300	414.73	438.82	462.56	485.95	508.97	531.62	575.75	628.65	-
400	525.59	555.85	585.47	614.45	642.75	670.38	723.54	785.97	-
500	624.16	659.44	693.69	726.90	759.03	790.08	848.85	915.94	-
600	712.28	751.39	788.97	825.00	859.45	892.30	953.13	1019.87	-
700	791.57	833.28	872.85	910.27	945.49	978.50	1037.78	1099.04	-
800	863.36	906.40	946.61	983.94	1018.37	1049.85	1103.90	1154.50	-
900	928.60	971.70	1011.16	1046.92	1078.95	1107.21	1152.32	1187.00	-
1000	987.87	1029.75	1067.05	1099.74	1127.76	1151.08	1183.48	1196.93	-
1100	1041.38	1080.71	1114.45	1142.54	1164.93	1181.57	1197.46	1184.33	-
1200	1088.89	1124.37	1153.11	1175.07	1190.19	1198.40	1193.96	-	-
1400	1163.06	1186.82	1201.26	1206.31	1201.90	-	-	-	-
1600	1200.43	1207.08	1201.39	-	-	-	-	-	-
1800	1184.35	-	-	-	-	-	-	-	-

DRIVES WITHIN SHADED AREA MAY GENERATE OBJECTIONABLE NOISE LEVELS UNLESS ACOUSTICALLY GUARDED



# QT Power Chain Sprockets & Belts

**C2**



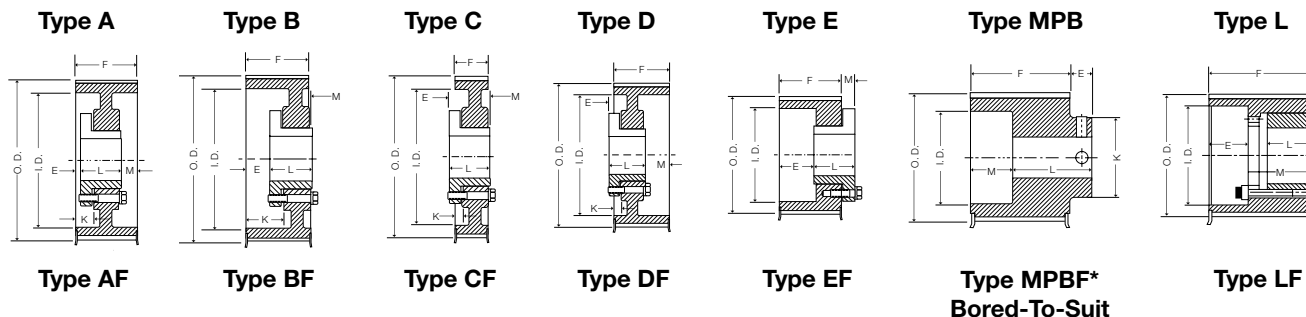
- **Requires little retensioning**
- **Abrasion resistant**
- **Less drive maintenance**

# QT Power Chain Sprocket 8M

## Dimensions

### SPROCKET TYPES

The QT Power Chain sprockets listed in the tables below are all stock sizes. All dimensions given are for the sprocket with the Sure-Grip bushing in place and are in inches only.



The figure following the sketch reference letter in the "Type" column indicates the construction of the sprocket. (1 = Solid, 2 = Web, and 3 = Arms), and the letter "F" indicates that the sprocket has flanges.

PRODUCT NO.	BUSHING	NO. OF TEETH	DIAMETERS				TYPE	DIMENSIONS (INCHES)				BORE		WT.
			P.D.	O.D.		I.D.		E	K	L	M	Min.	Max.	
				Sprocket	Flange									
FOR BELTS 12 mm (.47 in.) WIDE • 8mm PITCH (8M-12) Face Width (F) = 21 mm (.83 in.) Dual Drilled (inch/metric) ①														
W228M12*	-	22	2.206	2.152	2.56	-	MPB1F	0.62	1.62	1.45	-	0.500*	1.000	0.9
W248M12	JA	24	2.406	2.352	2.76	1.34	E1F	0.30	-	1.00	0.47	0.500	1.250	1.3
W268M12	JA	26	2.607	2.553	2.95	1.88	E1F	0.30	-	1.00	0.47	0.500	1.250	1.4
W288M12	QT	28	2.807	2.759	3.15	-	E1F	-0.04	-	1.25	0.38	0.500	1.500	1.3
W308M12	QT	30	3.008	2.958	3.35	-	E1F	-0.04	-	1.25	0.38	0.500	1.500	1.5
W328M12	QT	32	3.208	3.156	3.54	-	E1F	-0.04	-	1.25	0.38	0.500	1.500	1.7
W348M12	SH	34	3.409	3.355	3.82	-	D1F	0.56	-	1.25	0.14	0.500	1.688	2.0
W368M12	SH	36	3.609	3.555	3.94	-	D1F	0.56	-	1.25	0.14	0.500	1.688	2.2
W388M12	SH	38	3.810	3.756	4.13	-	D1F	0.56	-	1.25	0.14	0.500	1.688	2.4
W408M12	SH	40	4.010	3.956	4.33	-	D1F	0.56	-	1.25	0.14	0.500	1.688	2.6
W448M12	SDS	44	4.411	4.357	4.76	3.50	D1F	0.55	0.08	1.31	0.06	0.500	2.000	3.3
W488M12	SDS	48	4.812	4.758	5.16	3.80	D1F	0.55	0.08	1.31	0.06	0.500	2.000	3.8
W568M12	SDS	56	5.614	5.560	5.95	4.60	D1F	0.55	0.08	1.31	0.06	0.500	2.000	5.1
W648M12	SDS	64	6.416	6.362	6.77	5.40	D1F	0.55	0.08	1.31	0.06	0.500	2.000	6.6
W728M12	SDS	72	7.218	7.164	7.60	6.20	D2F	0.55	0.08	1.31	0.06	0.500	2.000	6.3
W808M12	SDS	80	8.020	7.966	8.39	6.90	D2F	0.55	0.08	1.31	0.06	0.500	2.000	7.9
W908M12	SDS	90	9.023	8.969	-	7.90	D3	0.55	0.08	1.31	0.06	0.500	2.000	7.5
W1128M12	SK	112	11.229	11.175	-	10.00	C3	0.72	-	1.88	0.33	0.500	2.625	14.6
W1448M12	SK	144	14.437	14.370	-	13.20	C3	0.72	-	1.88	0.33	0.500	2.625	20.9
W1928M12	SF	192	19.249	19.176	-	18.00	C3	0.69	-	2.00	0.48	0.500	2.938	35.6

Weights for all Sure-Grip bushed items are approximate and include the bushing.

\*Bored-To-Suit construction, minimum plain bore with 2 setscrews.

Refer to page C2-9 for balancing standards.

① Drilled for both inch and metric bushing hardware. On new production manufactured after Oct. 1, 1998.

# QT Power Chain Sprocket 8M

## Dimensions

PRODUCT NO.	BUSH-ING	NO. OF TEETH	DIAMETERS				TYPE	DIMENSIONS (INCHES)				BORE		WT.
			P.D.	O.D.		I.D.		E	K	L	M	Min.	Max.	
				Sprocket	Flange									
FOR BELTS 22 mm (.86 in.) WIDE • 8mm PITCH (8M-22) Face Width (F) = 31 mm (1.22 in.) Dual Drilled (inch/metric) ①														
W228M22*	-	22	2.206	2.152	2.56	-	MPB1F	0.62	1.62	1.84	-	0.500*	1.000	1.2
W248M22	JA	24	2.406	2.352	2.76	1.34	E1F	0.69	-	1.00	0.47	0.500	1.250	1.5
W268M22	JA	26	2.607	2.553	2.95	1.88	E1F	0.69	-	1.00	0.47	0.500	1.250	1.5
W288M22	QT	28	2.807	2.759	3.15	1.57	E1F	0.35	-	1.25	0.38	0.500	1.500	1.7
W308M22	QT	30	3.008	2.958	3.35	1.57	E1F	0.35	-	1.25	0.38	0.500	1.500	1.9
W328M22	QT	32	3.208	3.156	3.54	2.56	C1F	0.03	0.35	1.25	-	0.500	1.500	1.9
W348M22	SH	34	3.409	3.355	3.82	2.75	D1F	0.16	0.41	1.25	0.13	0.500	1.688	2.1
W368M22	SH	36	3.609	3.555	3.94	2.81	D1F	0.16	0.41	1.25	0.13	0.500	1.688	2.4
W388M22	SH	38	3.810	3.756	4.13	3.00	D1F	0.16	0.41	1.25	0.13	0.500	1.688	2.7
W408M22	SH	40	4.010	3.956	4.33	3.00	D1F	0.16	0.41	1.25	0.13	0.500	1.688	3.1
W448M22	SDS	44	4.411	4.357	4.76	3.50	D1F	0.16	0.47	1.31	0.06	0.500	2.000	3.7
W488M22	SDS	48	4.812	4.758	5.16	3.80	D1F	0.16	0.47	1.31	0.06	0.500	2.000	4.4
W568M22	SDS	56	5.614	5.560	5.95	4.60	D1F	0.16	0.47	1.31	0.06	0.500	2.000	5.7
W648M22	SDS	64	6.416	6.362	6.77	5.40	D1F	0.16	0.47	1.31	0.06	0.500	2.000	7.3
W728M22	SDS	72	7.218	7.164	7.60	6.20	D2F	0.18	0.44	1.31	0.09	0.500	2.000	7.2
W808M22	SDS	80	8.020	7.966	8.39	6.90	D2F	0.18	0.44	1.31	0.09	0.500	2.000	9.0
W908M22	SDS	90	9.023	8.969	-	7.90	D3	0.18	0.44	1.31	0.09	0.500	2.000	8.7
W1128M22	SK	112	11.229	11.175	-	10.00	C3	0.47	0.25	1.88	0.19	0.500	2.625	16.3
W1448M22	SK	144	14.437	14.370	-	13.20	C3	0.47	0.25	1.88	0.19	0.500	2.625	23.2
W1928M22	SF	192	19.249	19.176	-	18.00	C3	0.44	0.25	2.00	0.34	0.500	2.938	38.7
FOR BELTS 35 mm (1.38 in.) WIDE • 8mm PITCH (8M-35) Face Width (F) = 44 mm (1.73 in.) Dual Drilled (inch/metric) ①														
W228M35*	-	22	2.206	2.152	2.56	-	MPB1F	0.62	1.62	2.35	-	0.500*	1.000	1.6
W248M35*	-	24	2.406	2.352	2.76	-	MPB1F	0.62	1.81	2.35	-	0.500*	1.125	2.0
W268M35*	-	26	2.607	2.553	2.95	-	MPB1F	0.62	2.00	2.35	-	0.500*	1.250	2.4
W288M35	QT	28	2.807	2.759	3.15	1.57	E1F	0.86	-	1.25	0.38	0.500	1.500	2.1
W308M35	QT	30	3.008	2.958	3.35	1.57	E1F	0.86	-	1.25	0.38	0.500	1.500	2.4
W328M35	QT	32	3.208	3.158	3.54	2.56	A1F	0.25	0.62	1.25	0.48	0.500	1.500	2.2
W348M35	SH	34	3.409	3.355	3.82	2.75	A1F	0.06	0.62	1.25	0.42	0.500	1.688	2.4
W368M35	SH	36	3.609	3.555	3.94	2.81	A1F	0.06	0.62	1.25	0.42	0.500	1.688	2.8
W388M35	SH	38	3.810	3.756	4.13	3.00	A1F	0.06	0.62	1.25	0.42	0.500	1.688	3.1
W408M35	SH	40	4.010	3.956	4.33	3.00	D1F	0.06	0.50	1.25	0.55	0.500	1.688	3.5
W448M35	SD	44	4.411	4.357	4.76	3.50	D1F	0.38	0.25	1.81	0.29	0.500	2.000	5.3
W488M35	SD	48	4.812	4.758	5.16	3.80	D1F	0.38	0.25	1.81	0.29	0.500	2.000	6.4
W568M35	SK	56	5.614	5.560	5.95	4.60	D1F	0.47	0.25	1.88	0.32	0.500	2.625	8.6
W648M35	SK	64	6.416	6.362	6.77	5.40	D1F	0.47	0.25	1.88	0.32	0.500	2.625	11.2
W728M35	SK	72	7.218	7.164	7.60	6.20	D1F	0.47	0.25	1.88	0.32	0.500	2.625	14.0
W808M35	SF	80	8.020	7.966	8.39	6.90	D2F	0.44	0.25	2.00	0.17	0.500	2.938	14.7
W908M35	SF	90	9.023	8.969	-	7.90	D2	0.44	0.25	2.00	0.17	0.500	2.938	17.5
W1128M35	SF	112	11.229	11.175	-	10.00	D3	0.44	0.25	2.00	0.17	0.500	2.938	20.6
W1448M35	E	144	14.437	14.383	-	13.20	C3	0.80	0.11	2.62	0.09	0.875	3.500	35.2
W1928M35	E	192	19.249	19.195	-	18.00	C3	0.80	0.11	2.62	0.09	0.875	3.500	54.1
FOR BELTS 60 mm (2.36 in.) WIDE • 8mm PITCH (8M-60) Face Width (F) = 70 mm (2.76 in.) Dual Drilled (inch/metric) ①														
W228M60*	-	22	2.206	2.152	2.56	-	MPB1F	0.62	1.62	3.38	-	0.750*	1.000	2.2
W248M60*	-	24	2.406	2.352	2.76	-	MPB1F	0.62	1.81	3.38	-	0.750*	1.125	2.7
W268M60*	-	26	2.607	2.553	2.95	-	MPB1F	0.62	2.00	3.38	-	0.750*	1.250	3.3
W288M60*	-	28	2.807	2.759	3.15	-	MPB1F	0.62	2.28	3.38	-	0.750*	1.500	4.0
W308M60*	-	30	3.008	2.958	3.35	-	MPB1F	0.62	2.47	3.38	-	0.750*	1.625	4.8
W328M60*	-	32	3.208	3.156	3.54	-	MPB1F	0.75	2.69	3.51	-	0.750*	1.875	5.7
W348M60*	-	34	3.409	3.355	3.82	-	MPB1F	0.75	2.94	3.51	-	0.750*	2.000	6.6
W368M60	SKL	36	3.609	3.555	3.94	2.81	L1F	0.79	-	1.13	1.97	0.500	1.938	3.6
W388M60	SKL	38	3.810	3.756	4.13	3.00	L1F	0.79	-	1.13	1.97	0.500	1.938	4.3
W408M60	SKL	40	4.010	3.956	4.33	3.00	L1F	0.79	-	1.13	1.97	0.500	1.938	5.1
W448M60	SFL	44	4.411	4.357	4.76	3.50	L1F	0.79	-	1.13	1.97	0.500	2.375	5.9
W488M60	SFL	48	4.812	4.758	5.16	3.63	L1F	0.79	-	1.13	1.97	0.500	2.375	7.5
W568M60	EL	56	5.614	5.560	5.95	4.60	L1F	0.38	-	1.50	2.38	0.875	2.875	11.4
W648M60	SF	64	6.416	6.362	6.77	5.40	A1F	0.06	0.75	2.00	0.70	0.500	2.938	13.6
W728M60	E	72	7.218	7.164	7.60	6.20	A1F	0.09	1.00	2.62	0.05	0.875	3.500	21.8
W808M60	E	80	8.020	7.966	8.39	6.90	A1F	0.09	1.00	2.62	0.05	0.875	3.500	26.3
W908M60	E	90	9.023	8.969	-	7.90	A1	0.09	1.00	2.62	0.05	0.875	3.500	32.3
W1128M60	F	112	11.229	11.175	-	10.00	C1	0.80	0.26	3.62	0.06	1.000	4.000	65.7
W1448M60	F	144	14.437	14.383	-	13.20	C3	0.80	0.26	3.62	0.06	1.000	4.000	58.1
W1928M60	F	192	19.249	19.195	-	18.00	C3	0.80	0.26	3.62	0.06	1.000	4.000	74.4

Weights for all Sure-Grip bushed items are approximate and include the bushing.

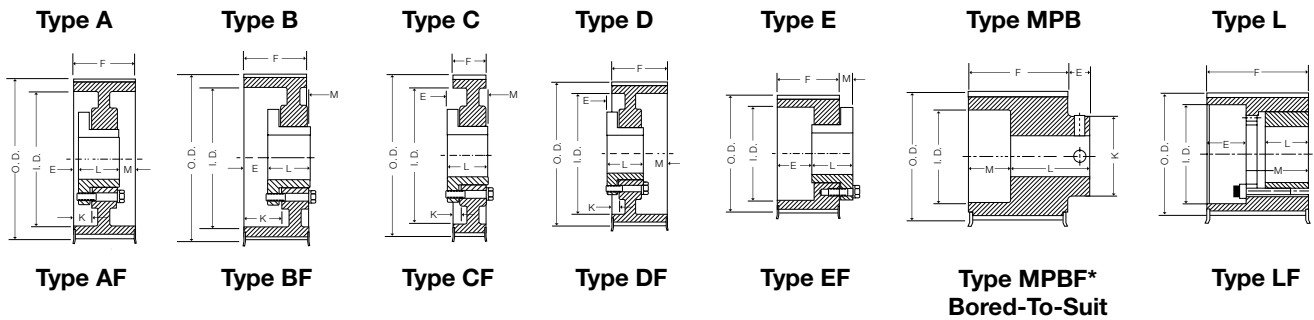
\*Bored-To-Suit construction, minimum plain bore with 2 setscrews.

Refer to page C2-9 for balancing standards.

① Drilled for both inch and metric bushing hardware. On new production manufactured after Oct. 1, 1998.

# QT Power Chain Sprocket 14M

## Dimensions



The figure following the sketch reference letter in the "Type" column indicates the construction of the sprocket. (1 = Solid, 2 = Web, and 3 = Arms), and the letter "F" indicates that the sprocket has flanges.

PRODUCT NO.	BUSH-ING	NO. OF TEETH	DIAMETERS				TYPE	DIMENSIONS (INCHES)				BORE		WT.
			P.D.	O.D.		I.D.		E	K	L	M	Min.	Max.	
				Sprocket	Flange									
FOR BELTS 20 mm (.79 in.) WIDE • 14mm PITCH (14M-20) Face Width (F) = 31 mm (1.22 in.) Dual Drilled (inch/metric) ①														
W2814M20	SK	28	4.912	4.802	5.56	-	D1F	0.71	-	1.88	0.06	0.500	2.625	5.6
W2914M20	SK	29	5.088	4.978	5.56	-	D1F	0.71	-	1.88	0.06	0.500	2.625	6.0
W3014M20	SK	30	5.263	5.153	5.56	-	D1F	0.71	-	1.88	0.06	0.500	2.625	6.4
W3214M20	SK	32	5.614	5.504	6.09	-	D1F	0.71	-	1.88	0.06	0.500	2.625	7.3
W3414M20	SK	34	5.965	5.855	6.50	-	D1F	0.71	-	1.88	0.06	0.500	2.625	8.2
W3614M20	SF	36	6.316	6.206	6.87	-	C1F	0.69	-	2.00	0.09	0.500	2.938	9.8
W3814M20	SF	38	6.667	6.557	7.22	-	C1F	0.69	-	2.00	0.09	0.500	2.938	10.9
W4014M20	SF	40	7.018	6.908	7.50	-	C1F	0.69	-	2.00	0.09	0.500	2.938	12.0
W4414M20	E	44	7.720	7.610	8.34	-	C1F	0.91	-	2.62	0.50	0.875	3.500	19.8
W4814M20	E	48	8.421	8.311	8.90	-	C1F	0.91	-	2.62	0.50	0.875	3.500	22.5
W5214M20	E	52	9.123	9.013	9.68	-	C1F	0.91	-	2.62	0.50	0.875	3.500	25.4
W5614M20	E	56	9.825	9.715	10.38	-	C1F	0.91	-	2.62	0.50	0.875	3.500	28.5
W6014M20	E	60	10.527	10.417	11.06	-	C1F	0.91	-	2.62	0.50	0.875	3.500	32.8
W6414M20	E	64	11.229	11.119	11.68	9.25	C2F	0.91	-	2.62	0.50	0.875	3.500	30.6
W6814M20	E	68	11.930	11.820	12.50	10.00	C2F	0.91	-	2.62	0.50	0.875	3.500	32.7
W7214M20	E	72	12.632	12.522	13.19	10.69	C2F	0.91	-	2.62	0.50	0.875	3.500	31.4
W8014M20	E	80	14.036	13.926	14.63	12.12	C2F	0.91	-	2.62	0.50	0.875	3.500	35.3
W9014M20	E	90	15.790	15.680	-	14.50	C3	1.09	-0.19	2.62	0.31	0.875	3.500	37.2
W11214M20	E	112	19.650	19.540	-	18.38	C3	1.09	-0.19	2.62	0.31	0.875	3.500	46.9
W14414M20	E	144	25.264	25.154	-	23.88	C3	1.09	-0.19	2.62	0.31	0.875	3.500	71.1
W16814M20	F	168	29.475	29.365	-	27.97	C3	1.50	-0.44	3.62	0.91	1.000	4.000	94.0
W19214M20	J	192	33.686	33.576	-	31.95	C3	1.94	-0.69	4.50	1.34	1.438	4.500	166.0
W21614M20	J	216	37.896	37.786	-	35.81	C3	1.94	-0.69	4.50	1.34	1.438	4.500	192.0
FOR BELTS 42 mm (1.65 in.) WIDE • 14mm PITCH (14M-42) Face Width (F) = 53 mm (2.09 in.) Dual Drilled (inch/metric) ①														
W2814M42	SK	28	4.912	4.802	5.56	-	E1F	0.94	-	1.88	0.72	0.500	2.625	7.5
W2914M42	SK	29	5.088	4.978	5.56	-	E1F	0.94	-	1.88	0.72	0.500	2.625	8.2
W3014M42	SK	30	5.263	5.153	5.56	4.04	D1F	0.30	0.42	1.88	0.51	0.500	2.625	7.9
W3214M42	SK	32	5.614	5.504	6.09	4.04	D1F	0.30	0.42	1.88	0.51	0.500	2.625	9.4
W3414M42	SF	34	5.965	5.855	6.50	4.44	E1F	0.78	0.00	2.00	0.68	0.500	2.938	10.8
W3614M42	SF	36	6.316	6.206	6.87	4.84	D1F	0.26	0.42	2.00	0.36	0.500	2.938	11.9
W3814M42	SF	38	6.667	6.557	7.22	4.94	D1F	0.26	0.42	2.00	0.36	0.500	2.938	13.6
W4014M42	SF	40	7.018	6.908	7.50	5.06	D1F	0.26	0.42	2.00	0.36	0.500	2.938	15.3
W4414M42	E	44	7.720	7.610	8.34	6.12	D1F	0.67	0.23	2.62	0.14	0.875	3.500	22.4
W4814M42	E	48	8.421	8.311	8.90	6.50	D1F	0.67	0.23	2.62	0.14	0.875	3.500	16.6
W5214M42	E	52	9.123	9.013	9.68	7.18	D1F	0.67	0.23	2.62	0.14	0.875	3.500	30.7
W5614M42	E	56	9.825	9.715	10.38	7.88	D1F	0.67	0.23	2.62	0.14	0.875	3.500	35.2
W6014M42	E	60	10.527	10.417	11.06	8.50	D1F	0.67	0.23	2.62	0.14	0.875	3.500	40.1
W6414M42	E	64	11.229	11.119	11.68	9.25	D2F	0.67	0.23	2.62	0.14	0.875	3.500	36.2
W6814M42	E	68	11.930	11.820	12.50	10.00	D2F	0.67	0.23	2.62	0.14	0.875	3.500	38.6
W7214M42	E	72	12.632	12.522	13.19	10.69	D2F	0.67	0.23	2.62	0.14	0.875	3.500	37.8
W8014M42	E	80	14.036	13.926	14.63	12.12	D2F	0.67	0.23	2.62	0.14	0.875	3.500	42.3
W9014M42	F	90	15.790	15.680	-	14.50	C3	1.06	-	3.62	0.47	1.000	4.000	56.0
W11214M42	F	112	19.650	19.540	-	18.38	C3	1.06	-	3.62	0.47	1.000	4.000	74.1
W14414M42	F	144	25.264	25.147	-	23.88	C3	1.06	-	3.62	0.47	1.000	4.000	112.1
W16814M42	F	168	29.475	29.365	-	28.25	C3	1.06	-	3.62	0.47	1.000	4.000	148.4
W19214M42	J	192	33.686	33.576	-	32.38	C3	1.50	-0.25	4.50	0.91	1.438	4.500	177.0
W21614M42	J	216	37.896	37.786	-	36.38	C3	1.50	-0.25	4.50	0.91	1.438	4.500	206.0

Weights for all Sure-Grip bushed items are approximate and include the bushing.

Refer to page C2-9 for balancing standards.

① Drilled for both inch and metric bushing hardware up thru W168-14M sprocket. On new production manufactured after Oct. 1, 1998.



# QT Power Chain Sprocket 14M

PRODUCT NO.	BUSH-ING	NO. OF TEETH	DIAMETERS				TYPE	DIMENSIONS (INCHES)				BORE		WT.
			P.D.	O.D.		I.D.		E	K	L	M	Min.	Max.	
				Sprocket	Flange									
FOR BELTS 65 mm (2.56 in.) WIDE • 14mm PITCH (14M-65) Face Width (F) = 77 mm (3.03 in.)														
W2814M65	SFL	28	4.912	4.802	5.56	3.25	L1F	1.06	-	1.13	1.97	0.500	2.375	8.3
W2914M65	SFL	29	5.088	4.978	5.56	3.25	L1F	1.06	-	1.13	1.97	0.500	2.375	9.3
W3014M65	EL	30	5.263	5.153	5.56	3.94	L1F	0.65	-	1.50	2.38	0.875	2.875	9.2
W3214M65	EL	32	5.614	5.504	6.09	3.94	L1F	0.65	-	1.50	2.38	0.875	2.875	11.4
W3414M65	EL	34	5.965	5.855	6.50	4.06	L1F	0.65	-	1.50	2.38	0.875	2.875	13.6
W3614M65	FL	36	6.316	6.206	6.87	-	L1F	-0.47	-	2.50	3.50	1.000	3.125	18.5
W3814M65	FL	38	6.667	6.557	7.22	-	L1F	-0.47	-	2.50	3.50	1.000	3.125	21.5
W4014M65	FL	40	7.018	6.908	7.50	-	L1F	-0.47	-	2.50	3.50	1.000	3.125	24.5
W4414M65	E	44	7.720	7.610	8.34	6.12	D1F	0.03	0.88	2.62	0.44	0.875	3.500	25.5
W4814M65	E	48	8.421	8.311	8.90	6.50	D1F	0.03	0.88	2.62	0.44	0.875	3.500	30.8
W5214M65	E	52	9.123	9.013	9.68	7.18	D1F	0.03	0.88	2.62	0.44	0.875	3.500	35.4
W5614M65	F	56	9.825	9.715	10.38	7.88	C1F	0.53	0.53	3.62	0.06	1.000	4.000	51.1
W6014M65	F	60	10.527	10.417	11.06	8.50	C1F	0.53	0.53	3.62	0.06	1.000	4.000	58.5
W6414M65	F	64	11.229	11.119	11.68	9.25	C1F	0.53	0.53	3.62	0.06	1.000	4.000	66.1
W6814M65	F	68	11.930	11.820	12.50	10.00	C2F	0.53	0.53	3.62	0.06	1.000	4.000	59.2
W7214M65	F	72	12.632	12.522	13.19	10.69	C2F	0.53	0.53	3.62	0.06	1.000	4.000	63.2
W8014M65	F	80	14.036	13.926	14.63	12.12	C2F	0.53	0.53	3.62	0.06	1.000	4.000	65.5
W9014M65	F	90	15.790	15.680	-	14.50	C3	0.53	0.53	3.62	0.06	1.000	4.000	64.7
W11214M65	J	112	19.650	19.540	-	18.25	C3	1.25	-	4.50	0.22	1.438	4.500	102.6
W14414M65	M	144	25.264	25.154	-	23.88	C3	1.97	-0.50	6.75	1.75	1.938	5.500	240.0
W16814M65	M	168	29.475	29.365	-	28.09	C3	1.97	-0.50	6.75	1.75	1.938	5.500	238.0
W19214M65	M	192	33.686	33.576	-	32.25	C3	1.97	-0.50	6.75	1.75	1.938	5.500	310.3
W21614M65	M	216	37.896	37.786	-	36.38	C3	1.97	-0.50	6.75	1.75	1.938	5.500	349.3
FOR BELTS 90 mm (3.54 in.) WIDE • 14mm PITCH (14M-90) Face Width (F) = 103 mm (4.06 in.)														
W2814M90*	-	28	4.912	4.802	5.56	-	MPB1F	1.00	3.69	5.06	-	0.875*	2.625	18.9
W2914M90*	-	29	5.088	4.978	5.56	-	MPB1F	1.00	3.69	5.06	-	0.875*	2.625	20.2
W3014M90	EL	30	5.263	5.153	5.56	3.94	L1F	1.68	-	1.50	2.38	0.875	2.875	10.9
W3214M90	EL	32	5.614	5.504	6.09	3.94	L1F	1.68	-	1.50	2.38	0.875	2.875	13.9
W3414M90	EL	34	5.965	5.855	6.50	4.06	L1F	1.68	-	1.50	2.38	0.875	2.875	16.7
W3614M90	FL	36	6.316	6.206	6.87	4.69	L1F	0.56	-	2.38	3.50	1.000	3.125	20.9
W3814M90	FL	38	6.667	6.557	7.22	4.94	L1F	0.56	-	2.38	3.50	1.000	3.125	24.2
W4014M90	FL	40	7.018	6.908	7.50	5.06	L1F	0.56	-	2.38	3.50	1.000	3.125	27.8
W4414M90	FL	44	7.720	7.610	8.34	6.12	L1F	0.56	-	2.38	3.50	1.000	3.125	34.6
W4814M90	FL	48	8.421	8.311	8.90	6.50	L1F	0.56	-	2.38	3.50	1.000	3.125	42.9
W5214M90	F	52	9.123	9.013	9.68	7.18	D1F	0.28	0.78	3.62	0.72	1.000	4.000	49.5
W5614M90	F	56	9.825	9.715	10.38	7.88	D1F	0.28	0.78	3.62	0.72	1.000	4.000	56.7
W6014M90	F	60	10.527	10.417	11.06	8.50	D1F	0.28	0.78	3.62	0.72	1.000	4.000	64.9
W6414M90	F	64	11.229	11.119	11.68	9.25	D1F	0.28	0.78	3.62	0.72	1.000	4.000	72.8
W6814M90	F	68	11.930	11.820	12.50	10.00	D2F	0.28	0.78	3.62	0.72	1.000	4.000	68.5
W7214M90	F	72	12.632	12.522	13.19	10.69	D2F	0.28	0.78	3.62	0.72	1.000	4.000	73.8
W8014M90	J	80	14.036	13.926	14.63	12.12	C2F	0.38	0.88	4.50	0.06	1.438	4.500	94.6
W9014M90	J	90	15.790	15.680	-	14.50	C2	0.38	0.88	4.50	0.06	1.438	4.500	97.4
W11214M90	J	112	19.650	19.540	-	18.25	C3	0.38	0.88	4.50	0.06	1.438	4.500	110.6
W14414M90	M	144	25.264	25.154	-	23.88	C3	1.47	0.00	6.75	1.22	1.938	5.500	246.3
W16814M90	M	168	29.475	29.365	-	28.09	C3	1.47	-	6.75	1.22	1.938	5.500	281.3
W19214M90	M	192	33.686	33.576	-	32.25	C3	1.47	-	6.75	1.22	1.938	5.500	325.3
W21614M90	M	216	37.896	37.786	-	36.38	C3	1.47	-	6.75	1.22	1.938	5.500	423.3
FOR BELTS 120 mm (4.72 in.) WIDE • 14mm PITCH (14M-120) Face Width (F) = 133 mm (5.24 in.)														
W2814M120*	-	28	4.912	4.802	5.56	3.38	MPB1F	1.00	3.69	5.00	1.24	1.250*	2.625	20.1
W2914M120*	-	29	5.088	4.978	5.56	3.38	MPB1F	1.00	3.69	5.00	1.24	1.250*	2.625	22.0
W3014M120	EL	30	5.263	5.153	5.56	3.94	L1F	2.86	-	1.50	2.38	0.875	2.875	13.0
W3214M120	EL	32	5.614	5.504	6.09	3.94	L1F	2.86	-	1.50	2.38	0.875	2.875	16.7
W3414M120	FL	34	5.965	5.855	6.50	4.44	L1F	1.74	-	2.38	3.50	1.000	3.125	20.9
W3614M120	FL	36	6.316	6.206	6.87	4.69	L1F	1.74	-	2.38	3.50	1.000	3.125	23.5
W3814M120	FL	38	6.667	6.557	7.22	4.94	L1F	1.74	-	2.38	3.50	1.000	3.125	27.8
W4014M120	FL	40	7.018	6.908	7.50	5.06	L1F	1.74	-	2.38	3.50	1.000	3.125	32.2
W4414M120	FL	44	7.720	7.610	8.34	6.12	L1F	1.74	-	2.38	3.50	1.000	3.125	41.5
W4814M120	FL	48	8.421	8.311	8.90	6.50	L1F	1.74	-	2.38	3.50	1.000	3.125	48.3
W5214M120	F	52	9.123	9.013	9.68	7.18	A1F	0.31	1.38	3.62	1.30	1.000	4.000	55.4
W5614M120	F	56	9.825	9.715	10.38	7.88	A1F	0.31	1.38	3.62	1.30	1.000	4.000	63.2
W6014M120	F	60	10.527	10.417	11.06	8.50	A1F	0.31	1.38	3.62	1.30	1.000	4.000	72.2
W6414M120	J	64	11.229	11.119	11.68	9.25	D1F	0.23	1.02	4.50	0.97	1.438	4.500	93.3
W6814M120	J	68	11.930	11.820	12.50	10.00	D1F	0.23	1.02	4.50	0.97	1.438	4.500	104.1
W7214M120	J	72	12.632	12.522	13.19	10.69	D1F	0.23	1.02	4.50	0.97	1.438	4.500	116.0
W8014M120	J	80	14.036	13.926	14.63	12.12	D2F	0.23	1.02	4.50	0.97	1.438	4.500	104.1
W9014M120	M	90	15.790	15.680	-	14.50	C2	1.42	0.05	6.75	0.09	1.938	5.500	195.3
W11214M120	M	112	19.650	19.540	-	18.25	C3	1.42	0.05	6.75	0.09	1.938	5.500	193.3
W14414M120	M	144	25.264	25.154	-	23.63	C3	1.42	0.05	6.75	0.09	1.938	5.500	258.0
W16814M120	M	168	29.475	29.365	-	28.09	C3	1.42	0.05	6.75	0.09	1.938	5.500	319.3
W19214M120	N	192	33.686	33.576	-	32.25	C3	1.69	-	8.12	1.19	2.938	6.000	429.0
W21614M120	N	216	37.896	37.786	-	36.38	C3	1.69	-	8.12	1.19	2.938	6.000	487.0

Weights for all Sure-Grip bushed items are approximate and include the bushing.

\*Bored-To-Suit construction, minimum plain bore with 2 setscrews.

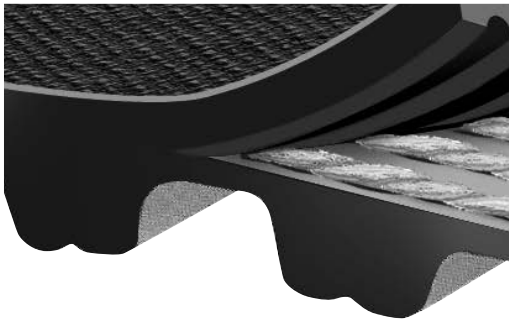
Refer to page C2-9 for balancing standards.

# QT Power Chain

## Construction

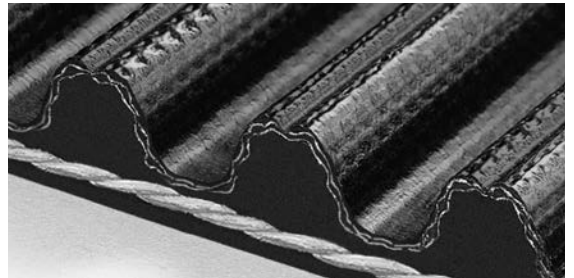
*Q T P o w e r C h a i n*<sup>®</sup> offers performance that soars. **QT Power Chain**<sup>®</sup> is a custom construction that offers a solution to problem drives. With its quality materials, yielding best-in-class performance, this durable synchronous belt can eliminate the unnecessary downtime that competitive belts offer. Designed for long life, QT Power Chain<sup>®</sup> can provide virtually maintenance-free operation.

### RUBBER COMPOUNDING



This cross-linked elastomer is formulated to resist tooth deformity and increase tooth rigidity, increasing belt life and decreasing replacement costs. Its chemical stability resists the effects of oils, coolants, heat and ozone.

### TOOTH PROFILE



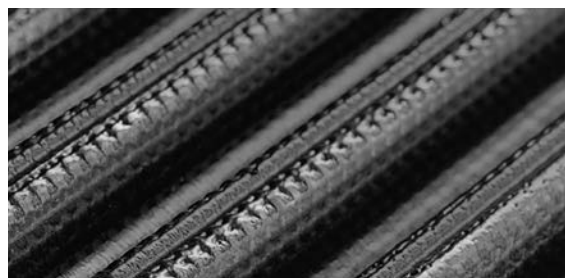
The demands of synchronous drives put additional strain on the belt and tooth surface, for high speed and low speed applications. The QT Power Chain<sup>®</sup> tooth profile resists ratcheting and provides accurate positioning for synchronous drive applications.



### TENSILE MEMBERS

The tensile members provide excellent dimensional stability and high impact strength. Operating at a consistent tension, QT Power Chain<sup>®</sup> requires little retensioning and less drive maintenance.

### TOOTH FACING / WEAR JACKETS



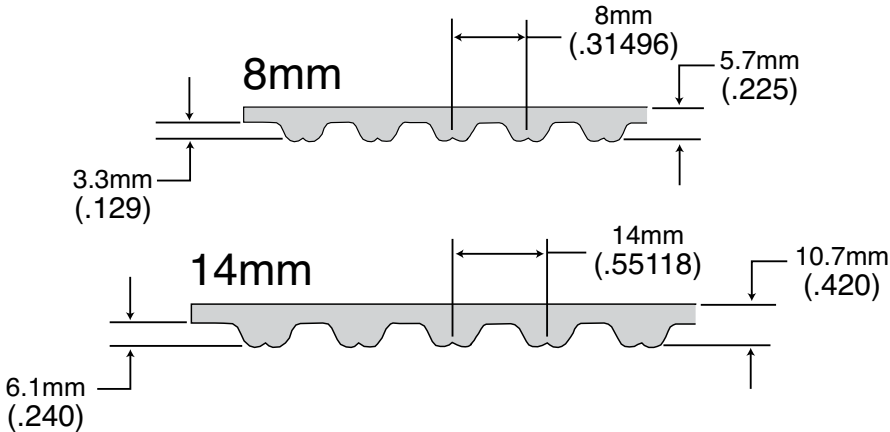
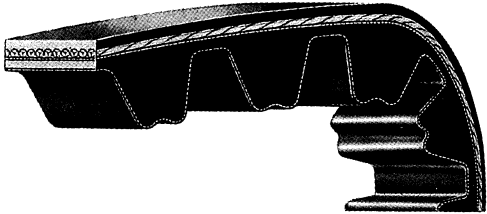
Designed for higher loads and abrasion resistance, the facing provides a reduced coefficient of friction so that the belt meshes easier with pulleys.

## Tolerances

Belt Length (mm)	*Std. Length Tolerances (Center-to-Center)	Belt Length (mm)	*Std. Length Tolerances (Center-to-Center)
Over 254 to 381	±0.23	Over 3302 to 3556	±0.61
Over 381 to 508	±0.25	Over 3556 to 3810	±0.64
Over 508 to 762	±0.30	Over 3810 to 4064	±0.66
Over 762 to 1016	±0.33	Over 4064 to 4318	±0.69
Over 1016 to 1270	±0.38	Over 4318 to 4572	±0.71
Over 1270 to 1524	±0.41	Over 4572 to 4826	±0.74
Over 1524 to 1778	±0.43	Over 4826 to 5080	±0.76
Over 1778 to 2032	±0.46	Over 5080 to 5534	±0.79
Over 2032 to 2286	±0.48	Over 5534 to 5588	±0.81
Over 2286 to 2540	±0.51	Over 5588 to 5842	±0.84
Over 2540 to 2794	±0.53	Over 5842 to 6096	±0.86
Over 2794 to 3048	±0.56	Over 6096 to 6350	±0.89
Over 3048 to 3302	±0.58	Over 6350 to 6604	±0.91
		Over 6604 to 6860	±0.94

\*NOTE: The length tolerances given for positive drive belts refer to the center to center tolerance between belts when checked on a standard measuring fixture. The actual pitch length tolerance is twice the value shown. If a special tension member is used consult the factory for proper length tolerances.

## BELT DIMENSIONS



# QT Power Chain Belts

## Dimensions

### QT POWER CHAIN 8mm PITCH SYNCHRONOUS BELTS\*

Belt Length	Pitch Length (mm)	Pitch Length (inches)	No. of Teeth	Approx. Weight (Lbs)			
				12mm. 0.47in.	22mm. 0.87in.	35mm. 1.38in.	60mm. 2.36in.
480-8M	480	18.90	60	.08	.14	.23	.41
560-8M	560	22.05	70	.08	.18	.27	.43
600-8M	600	23.62	75	.10	.19	.29	.47
640-8M	640	25.20	80	.11	.20	.32	.50
720-8M	720	28.35	90	.12	.22	.35	.60
800-8M	800	31.50	100	.13	.24	.39	.67
880-8M	880	34.65	110	.15	.28	.43	.73
960-8M	960	37.80	120	.16	.30	.47	.80
1040-8M	1040	40.94	130	.17	.32	.50	.89
1120-8M	1120	44.09	140	.19	.34	.55	.94
1200-8M	1200	47.24	150	.20	.37	.58	1.01
1224-8M	1224	48.18	153	.21	.39	.60	1.02
1280-8M	1280	50.39	160	.22	.40	.62	1.07
1440-8M	1440	56.69	180	.24	.44	.70	1.21
1600-8M	1600	62.99	200	.27	.50	.78	1.33
1760-8M	1760	69.30	220	.29	.54	.85	1.48
1800-8M	1800	70.86	225	.30	.55	.88	1.50
2000-8M	2000	78.74	250	.34	.62	.97	1.67
2200-8M	2200	86.61	275	.37	.68	1.07	1.84
2400-8M	2400	94.48	300	.40	.74	1.17	2.00
2600-8M	2600	102.36	325	.44	.80	1.27	2.17
2800-8M	2800	110.23	350	.47	.86	1.37	2.34
3048-8M	3048	120.00	381	.51	.94	1.48	2.56
3280-8M	3280	129.13	410	.55	1.01	1.60	2.75
3600-8M	3600	141.73	450	.61	1.11	1.76	3.01
4400-8M	4400	173.23	550	.74	1.35	2.15	3.68

### QT POWER CHAIN 14mm PITCH SYNCHRONOUS BELTS\*

Belt Length	Pitch Length (mm)	Pitch Length (inches)	No. of Teeth	Approx. Weight (Lbs)				
				20mm. .79in.	42mm. 1.65in.	65mm. 2.56in.	90mm. 3.54in.	120mm. 4.72in.
966-14M	966	38.03	69	.40	.88	1.36	1.88	2.52
1190-14M	1190	46.85	85	.48	1.08	1.68	2.33	3.11
1400-14M	1400	55.12	100	.60	1.27	1.97	2.74	3.65
1610-14M	1610	63.39	115	.67	1.47	2.27	3.14	4.20
1778-14M	1778	70.00	127	.74	1.61	2.52	3.47	4.64
1890-14M	1890	74.41	135	.78	1.72	2.67	3.70	4.93
2100-14M	2100	82.68	150	.87	1.91	2.97	4.10	5.48
2310-14M	2310	90.94	165	.96	2.10	3.26	4.51	6.02
2450-14M	2450	96.46	175	1.02	2.24	3.46	4.79	6.40
2590-14M	2590	101.97	185	1.08	2.36	3.66	5.06	6.76
2800-14M	2800	110.24	200	1.17	2.55	3.95	5.47	7.31
3150-14M	3150	124.02	225	1.31	2.87	4.46	6.17	8.21
3360-14M	3360	132.28	240	1.40	3.06	4.75	6.56	8.76
3500-14M	3500	137.80	250	1.46	3.18	4.95	6.92	9.13
3850-14M	3850	151.58	275	1.60	3.50	5.44	7.52	10.04
4326-14M	4326	170.32	309	1.80	3.93	6.11	8.47	11.27
4578-14M	4578	180.24	327	1.90	4.16	6.48	8.95	11.92
4956-14M	4956	195.12	354	2.06	4.50	6.97	9.65	12.86

\* Part Number Example: 210014M65W ("W" suffix indicate QT Power Chain).

Refer to page C2—7 for belt tolerances

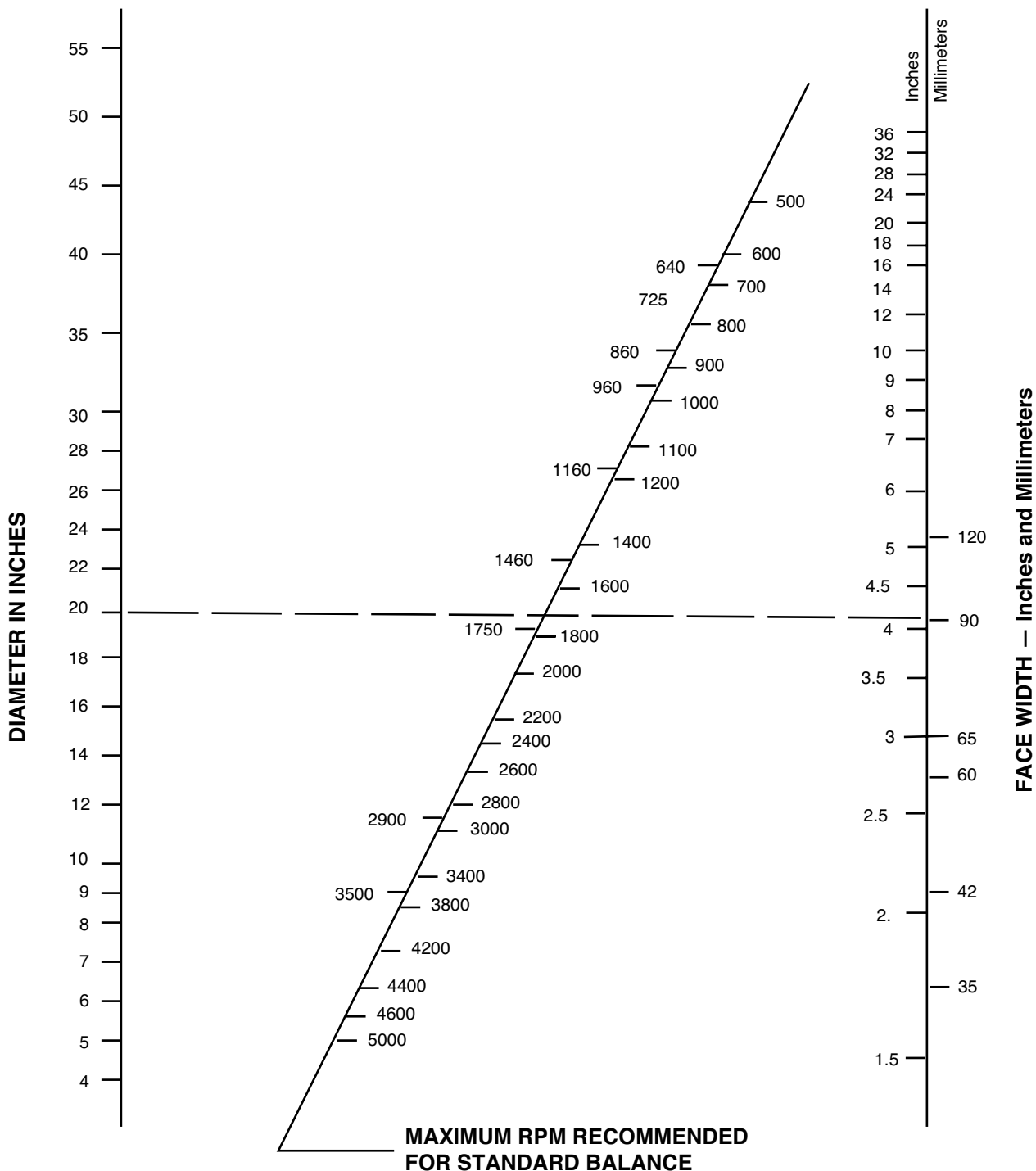
# Balancing Standards

Proper balance of rotating products is important for smooth, vibration-free operation. Standard balance of Wood's stock products is a one plane balance. Depending on the face width, outside diameter, and operating speed a higher precision balance may be required for smooth operation. In those cases a two-plane balance is suggested.

**Note: Two plane balance is for smooth operation only and DOES NOT increase the maximum safe operating speed of the product. Stock cast iron wheels may not exceed 6,550 feet per minute; and ductile iron wheels are limited to 10,000 FPM. (FPM = sheave outside diameter x RPM x .262)**

The nomograph below may be used as a guideline to determine when two-plane balance is recommended. To use this chart lay a straight-edge between the diameter of the part on the left of the chart and the face width of the part on the right. The straight edge will intersect the slanted scale in the center of the chart. When the operating speed is greater than the intersection point a two-plane balance is recommended.

**Example:** If a 20 in. diameter x 4 in. (90 mm) face width sprocket runs faster than 1700 rpm, dynamic balancing is recommended.



# Synchronous

## Service Factors

### 1a: driveR (prime mover)

Class of driveR	Class I	Class II	Class III
<b>Momentary Peak Load, % of Rated Load</b>	149%	150 to 249%	250 to 400%
<b>AC Electric Motors: Single Phase</b>			all
<b>Squirrel Cage</b> NEMA design A			
3600 rpm	40 HP up	1-1/2 thru 30 HP	1 thru 3 HP
1800 rpm	100 HP up	5 thru 75 HP	
1200 rpm	15 HP up	3/4 thru 10 HP	
900 rpm	5 HP up	1/2 thru 3 HP	
NEMA design B			
3600 rpm		5 HP up	1-1/2 thru 3 HP
1800 rpm		5 HP up	1 thru 3 HP
1200 rpm		5 HP up	3/4 thru 3 HP
900 rpm		2 HP up	1-1/2 thru 1-1/2 HP
NEMA design C			
1800 rpm		15 HP up	5 thru 10 HP
1200 rpm		7-1/2 HP up	3 and 5 HP
900 rpm		all	
NEMA design D			all
NEMA design F	all		
<b>Wound Rotor</b>			
1800 rpm		20 HP	2 to 15 HP
1200 rpm		15 HP	2 to 10 HP
900 rpm		7-1/2 HP	1 to 5 HP
<b>Synchronous</b>		normal torque	high torque
<b>DC Electric Motors</b>	shunt	compound	series
<b>Engines – int combust</b>	8 cyl up	6 cyl	4 cyl or less
<b>Hydraulic Motors, Line Shafts</b>			all

### 1c: Additional Service Factors

Operating Conditions	
Intermittent or seasonal	Sub 0.1
Add for 10–16 hr service	Add 0.2
Add for 16–24 hr service	Add 0.4
Add for each idler	Add 0.2

### Speed-up Drives

For speed-up drives, add to the basic service factor the additional factor given below.

Speed-up Ratio Range	Additional Factor	Speed-up Ratio Range	Additional Factor
1 to 1.24	none	2.50 to 3.49	.30
1.25 to 1.74	.10	3.50 & over	.40
1.75 to 2.49	.20		

### Unusual Conditions

Additional service factors are required for unusual conditions — such as load reversal, heavy shock, plugged motor stop, electric brake. These should be determined by a transmission specialist.

### 1b: Basic Service Factors of driveN Machines

driveN Machines	Class I	Class II	Class III
<b>Agitators, Mixers</b>			
liquid	1.2	1.4	1.6
(paddle or propeller) semi-liquid	1.3	1.5	1.7
<b>Bakery Machinery, Dough Mixers</b>	1.2	1.4	1.6
<b>Brick and Clay Machinery</b>			
augers, mixers, granulators	1.4	1.6	1.8
pug mills	1.6	1.8	2.0
<b>Centrifuges</b>	1.5	1.7	-
<b>Compressors</b>			
reciprocating*	1.6	1.8	2.0
centrifugal	1.4	1.5	1.6
<b>Conveyors</b>			
belt, light package; oven	1.1	1.2	1.3
belt: ore, coal, sand	1.2	1.4	1.6
apron, bucket, elevator, pan	1.4	1.6	1.8
flight, screw	1.4	1.6	1.8
<b>Fans, blowers</b>			
Centrifugal, induced			
draft exhausters	1.4	1.6	1.8
propeller, mine fans,			
positive blowers	1.6	1.8	2.0
<b>Generators and Exciters</b>	1.4	1.6	1.8
<b>Hammer Mills</b>	1.5	1.7	1.9
<b>Hoists, Elevators</b>	1.4	1.6	1.8
<b>Laundry Machinery</b>			
general	1.2	1.4	1.6
extractors, washers	1.4	1.6	1.8
<b>Line Shafts</b>	1.2	1.4	1.6
<b>Machine Tools</b>			
drill presses,			
lathes, screw machines	1.2	1.4	1.6
boring mills, grinders	1.3	1.5	1.7
milling machines, shapers	1.3	1.5	1.7
<b>Mills</b>			
ball, rod, pebble, etc	-	1.9	2.1
<b>Paper Machinery</b>			
agitators, calenders, dryers	1.2	1.4	1.6
beaters, jordans, Nash pumps,			
pulpers	1.4	1.6	1.8
<b>Printing Machinery</b>			
presses: newspaper, rotary,			
embossing, flat bed, magazine;			
linotype machines; cutters; folders	1.2	1.4	1.6
<b>Pumps</b>			
centrifugal, gear, rotary, pipeline	1.2	1.4	1.6
reciprocating*	1.7	1.9	2.1
<b>Rubber Plant Machinery</b>	1.4	1.6	1.8
<b>Saw Mill Machinery</b>	1.4	1.6	1.8
<b>Screens</b>			
vibrating (shakers)	1.3	1.5	-
drum, conical	1.2	1.4	-
<b>Textile Machinery</b>			
looms, spinning frames, twisters	1.3	1.5	1.7
warpers, reels	1.2	1.4	-
<b>Woodworking Machinery</b>			
lathes, band saws	1.2	1.3	-
jointer, circular saws, planers	1.2	1.4	-

\* **Note:** When the driveN sprocket is used as a flywheel to reduce speed fluctuations a specially constructed sprocket may be required. Obtain the  $WR^2$  of the unit and consult TB Wood's Engineering.

## RPM OF FASTEST SHAFT

	1160	1750	3500	100	200	300	400	500	600	800	1000	1400	1600	2000	2400	2800	3200	4000	
MOTOR HORSEPOWER																			
1	8M	8M	8M	8M	8M	8M	8M	8M	8M	8M	8M	8M	8M	8M	8M	8M	8M	8M	8M
1.5	8M	8M	8M	8M	8M	8M	8M	8M	8M	8M	8M	8M	8M	8M	8M	8M	8M	8M	8M
2	8M	8M	8M	8M	8M	8M	8M	8M	8M	8M	8M	8M	8M	8M	8M	8M	8M	8M	8M
3	8M	8M	8M	8M	8M	8M	8M	8M	8M	8M	8M	8M	8M	8M	8M	8M	8M	8M	8M
5	8M	8M	8M	8M	8M	8M	8M	8M	8M	8M	8M	8M	8M	8M	8M	8M	8M	8M	8M
7.5	8M	8M	8M	14M	8M	8M	8M	8M	8M	8M	8M	8M	8M	8M	8M	8M	8M	8M	8M
10	8M	8M	8M	14M	8M	8M	8M	8M	8M	8M	8M	8M	8M	8M	8M	8M	8M	8M	8M
15	8M	8M	8M	14M	14M	8M	8M	8M	8M	8M	8M	8M	8M	8M	8M	8M	8M	8M	8M
20	8M	8M	8M	14M	14M	14M	8M	8M	8M	8M	8M	8M	8M	8M	8M	8M	8M	8M	8M
25	8M	8M	8M	14M	14M	14M	14M	8M	8M	8M	8M	8M	8M	8M	8M	8M	8M	8M	8M
30	8M	8M	8M	14M	14M	14M	14M	14M	8M	8M	8M	8M	8M	8M	8M	8M	8M	8M	8M
40	8M	8M	8M	14M	14M	14M	14M	14M	14M	8M	8M	8M	8M	8M	8M	8M	8M	8M	8M
50	8M	8M	8M		14M	14M	14M	14M	14M	14M	8M	8M	8M	8M	8M	8M	8M	8M	8M
60	14M	8M	8M		14M	14M	14M	14M	14M	14M	14M	8M	8M	8M	8M	8M	8M	8M	8M
75	14M	8M	8M		14M	14M	14M	14M	14M	14M	14M	14M	14M	8M	8M	8M	8M	8M	8M
100	14M	14M	8M			14M	14M	14M	14M	14M	14M	14M	14M	14M	14M	8M	8M	14M	14M
125	14M	14M	14M				14M	14M	14M	14M	14M	14M	14M	14M	14M	14M	14M	14M	14M
150	14M	14M	14M				14M	14M	14M	14M	14M	14M	14M	14M	14M	14M	14M	14M	14M
200	14M	14M	14M						14M	14M	14M	14M	14M	14M	14M	14M	14M	14M	14M
250	14M	14M	14M							14M	14M	14M	14M	14M	14M	14M	14M	14M	14M
300	14M	14M	14M								14M	14M	14M	14M	14M	14M	14M	14M	14M
350	14M	14M	14M									14M	14M	14M	14M	14M	14M	14M	14M
400	14M	14M										14M	14M	14M	14M	14M	14M	14M	14M

USE MOTOR OR BASIC HORSEPOWER



# QT Power Chain

## Drive Selection

### Minimum Recommended Sprocket Pitch Diameters for General Purpose Electric Motors Synchronous Belts

Motor Horsepower	Motor RPM (60 Cycle and 50 Cycle Electric Motors)					
	575 485*	690 575*	870 725*	1160 950*	1750 1425*	3450 2850*
1/2	-	-	2.0	-	-	-
3/4	-	-	2.2	2.0	-	-
1	2.7	2.3	2.2	2.2	2.0	-
1-1/2	2.7	2.7	2.2	2.2	2.2	2.0
2	3.4	2.7	2.7	2.2	2.2	2.2
3	4.1	3.4	2.7	2.7	2.2	2.2
5	4.1	4.1	3.4	2.7	2.7	2.2
7-1/2	4.7	4.1	4.0	3.4	2.7	2.7
10	5.4	4.7	4.0	4.0	3.4	2.7
15	6.1	5.4	4.7	4.0	4.0	3.4
20	7.4	6.1	5.4	4.7	4.0	4.0
25	8.1	7.4	6.1	5.4	4.0	4.0
30	9.0	8.1	6.1	6.1	4.7	-
40	9.0	9.0	7.4	6.1	5.4	-
50	9.9	9.0	7.6	7.4	6.1	-
60	10.8	9.9	9.0	7.2	6.7	-
75	12.6	11.7	8.6	9.0	7.7	-
100	16.2	13.5	10.8	9.0	7.7	-
125	18.0	16.2	13.5	10.8	9.5#	-
150	19.8	18.0	16.2	11.7	9.5	-
200	19.8	19.8	19.8	-	11.9	-
250	19.8	19.8	-	-	-	-
300	24.3	24.3	-	-	-	-

\* Indicates 50 cycle RPM electric motors. # Frame 444T use 8.6.  
Data in the white area is from NEMA Standards MG-1-14-42 of June 1972 and MG-1-14-43 of January 1968. The data in the shaded area is a composite of various motor manufacturers data. They are usually conservative, and a smaller sprocket may be permitted. Consult the motor manufacturer data.

- BELT LENGTH =  $2 \times C + 1.57 \times (D + d) + [(D - d)^2 / (4 \times C)]$
- †CENTER DISTANCE =  $1/2 \times [A - h \times (D - d)]$

WHERE:

C = Center Distance† (in.)      D = P.D. of larger sprocket (in.)  
L = Belt Length (in.)            d = P.D. of smaller sprocket (in.)  
A =  $L - 1.57 \times (D + d)$         h = Factor from chart below

†Center distances must be fixed and rigid.

D - d A	h	D - d A	h	D - d A	h	D - d A	h
0.00	0.00	0.16	0.08	0.30	0.16	0.43	0.24
0.02	0.01	0.18	0.09	0.32	0.17	0.44	0.25
0.04	0.02	0.20	0.10	0.34	0.18	0.46	0.26
0.06	0.03	0.21	0.11	0.35	0.19	0.47	0.27
0.08	0.04	0.23	0.12	0.37	0.20	0.48	0.28
0.10	0.05	0.25	0.13	0.39	0.21	0.50	0.29
0.12	0.06	0.27	0.14	0.40	0.22	0.51	0.30
0.14	0.07	0.29	0.15	0.41	0.23	-	-

### Standard Motor Speed - Reduction or 1:1 Ratio Drives

Example: A 20 HP 1160 RPM NEMA B motor is driving a light package conveyor operating at 515 RPM, 14 hours a day. Motor shaft is 1-7/8" diameter, conveyor shaft is 2", center distance is 30".

Procedure	Example																							
<b>Step #1: Calculate the Design Horsepower</b> DHP = DriveR HP x service factor (page C2-10)	Service factor light package conveyor = 1.2 Adder for 10-16 hours/day = .2 DHP = 20 HP x 1.4 sf = 28																							
<b>Step #2: Choose the Belt Pitch</b> Belt Pitch Selection Guide (page C2-11)	20 HP and 1160 RPM indicates the use of 8M pitch																							
<b>Step #3: Check NEMA recommended minimum sprocket pitch diameter</b> (page C2-12)	NEMA minimum for a 20 HP 1160 RPM motor 4.7" diameter sprocket																							
<b>Step #4: Calculate Speed Ratio</b> Speed Ratio = Faster RPM / Slower RPM	Speed ratio = 1160 RPM / 550 RPM = 2.25																							
<b>Step #5: In the Drive Selection Tables corresponding to the correct belt pitch, locate the drive line with the same ratio. In the event of multiple drive lines, drives using larger diameters are usually more economical.</b>	Drive lines 130, 131, and 132 all are 2.25 ratio. Line 130 and 131: The driver is below NEMA recommended. Use drive line 132.																							
<b>Step #6: Note the following information from the drive line:</b> <b>Number teeth DriveR</b> <b>Number teeth DriveN</b> <b>Actual RPM</b> - Under corresponding motor RPM <b>Raw HP for belt width</b> - Under corresponding motor RPM (When considering belt width, refer to design HP calculation) <b>Select the desired CD</b> - To the right of the RPM and HP <b>Belt Length Factor</b> - Shaded above the CD <b>Belt Length</b> - Column header above the CD	From Line 132 Number teeth DriveR = 64 Number teeth DriveN = 144 DriveN speed @ 516 when DriveR @ 1160 RPM Step #1 the DHP is 28, 22 mm wide = 26.22 hp; 35 mm wide = 41.72 hp CD = 30.6" Belt length factor = 1.3 Belt length = 2400																							
<b>Step #7: Calculate the Corrected HP for the Drive</b> CHP = Raw HP x Belt Length Factor Compare the CHP to the DHP and pick the belt width	22 mm wide - CHP = 26.22 x 1.2 = 31.46 35 mm wide - CHP = 41.72 x 1.2 = 50.06 22 mm meets our DHP and is the belt to use.																							
<b>Step #8: Check the Dynamic Balance recommendations</b> Reference Chart (page C2-9)	OK as standard: W64-8M-22 static balance OK as standard: W144-8M-22 static balance																							
<b>Step #9: Specify drive components</b> Reference component dimensional page for Product Number	<table border="1"> <thead> <tr> <th>Item</th> <th>Product No.</th> <th>Ref. Page</th> </tr> </thead> <tbody> <tr> <td>DR Sprocket:</td> <td>W64-8M-22</td> <td>W648M22</td> <td>C2-3</td> </tr> <tr> <td>DR Bushing:</td> <td>SDS x 1-7/8"</td> <td>SDS178</td> <td>A1-4</td> </tr> <tr> <td>DN Sprocket:</td> <td>W144-8M-22</td> <td>W1448M22</td> <td>C2-3</td> </tr> <tr> <td>DN Bushing:</td> <td>SK x 2"</td> <td>SK2</td> <td>A1-5</td> </tr> <tr> <td>Belt:</td> <td>2400-8M-22W</td> <td>24008M22W</td> <td>C2-7</td> </tr> </tbody> </table>	Item	Product No.	Ref. Page	DR Sprocket:	W64-8M-22	W648M22	C2-3	DR Bushing:	SDS x 1-7/8"	SDS178	A1-4	DN Sprocket:	W144-8M-22	W1448M22	C2-3	DN Bushing:	SK x 2"	SK2	A1-5	Belt:	2400-8M-22W	24008M22W	C2-7
Item	Product No.	Ref. Page																						
DR Sprocket:	W64-8M-22	W648M22	C2-3																					
DR Bushing:	SDS x 1-7/8"	SDS178	A1-4																					
DN Sprocket:	W144-8M-22	W1448M22	C2-3																					
DN Bushing:	SK x 2"	SK2	A1-5																					
Belt:	2400-8M-22W	24008M22W	C2-7																					

# QT Power Chain

## Drive Selection

### Speeds Other than Common Motor Speeds and Speed-up Applications

Example: A 30 HP 1750 RPM NEMA B motor C-face mounted to a 10 : 1 gear reducer with an output of 175 RPM is driving a dough mixer operating at 200 RPM, 8 hours a day.  
Reducer shaft is 2-3/4" diameter, mixer shaft is 2", approximate center distance is 45".

Procedure	Example																		
<b>Step #1: Calculate the Design Horsepower</b> DHP = DriveR HP x service factor (page C2-10)	Service factor dough mixer = 1.4 No adder necessary for 8 hours/day Adder for 1.14 ratio speed-up = none DHP = 30 HP x 1.4 sf = 42																		
<b>Step #2: Choose the Belt Pitch</b> Belt Pitch Selection Guide (page C2-11)	30 HP and 200 RPM indicates the use of 14M pitch																		
<b>Step #3: Check NEMA recommended minimum sprocket pitch diameter</b> (page C2-12)	Does not apply – Driver not a NEMA motor Driver shaft – Reducer																		
<b>Step #4: Calculate Speed Ratio</b> Speed Ratio = Faster RPM / Slower RPM	Speed ratio = 200 RPM / 175 RPM = 1.14																		
<b>Step #5: In the Drive Selection Tables corresponding to the correct belt pitch, locate the drive line with the same ratio. In the event of multiple drive lines, drives using larger diameters are usually more economical.</b>	Drive lines 43 and 44 are both 1.14 ratio. Using the guideline of larger diameter being more economical, use line 44.																		
<b>Step #6: Note the following information from the drive line:</b> <b>Number teeth DriveR</b> <b>Number teeth DriveN</b> <b>Select the desired CD</b> - To the right of the RPM and HP <b>Belt Length Factor</b> - Shaded above the CD <b>Belt Length</b> - Column header above the CD	From Line 44 Number teeth DriveR = 64 Number teeth DriveN = 56 CD = 45.47" Belt length factor = 1.05 Belt length = 3150																		
<b>Step #7: In the HP Rating Tables, following the Drive Selection Tables, locate the proper charts for the belt pitch in use. Locate the number of teeth on the smallest sprocket at the top of the chart and its speed along the left side. At the intersection of these lines will be located the Raw HP of the drive.</b> (When considering belt width, refer to design HP calculation)	Smallest sprocket – 56 tooth Fastest RPM – 200 Step #1 Design HP = 42 65 mm wide – Raw HP = 43.72 90 mm wide – Raw HP = 60.53																		
<b>Step #8: Calculate the Corrected HP for the Drive</b> CHP = Raw HP x Belt Length Factor Compare the CHP to the DHP and pick the belt width	65 mm wide – CHP = 43.72 x 1.05 = 45.91 65 mm meets our DHP and is the belt to use.																		
<b>Step #9: Check the Dynamic Balance recommendations</b> Reference Chart (page C2-9)	OK as standard: W56-14M-65 static balance OK as standard: W64-14M-65 static balance																		
<b>Step #10: Specify drive components</b> Reference component dimensional page for Product Number	<table border="1"> <thead> <tr> <th>Item</th> <th>Product No.</th> <th>Ref. Page</th> </tr> </thead> <tbody> <tr> <td>DR Sprocket:</td> <td>W64-14M-65</td> <td>C2-5</td> </tr> <tr> <td>DR Bushing:</td> <td>F x 2-3/4"</td> <td>A1-5</td> </tr> <tr> <td>DN Sprocket:</td> <td>W56-14M-65</td> <td>C2-5</td> </tr> <tr> <td>DN Bushing:</td> <td>F x 2"</td> <td>A1-5</td> </tr> <tr> <td>Belt:</td> <td>3150-14M-65W</td> <td>C2-7</td> </tr> </tbody> </table>	Item	Product No.	Ref. Page	DR Sprocket:	W64-14M-65	C2-5	DR Bushing:	F x 2-3/4"	A1-5	DN Sprocket:	W56-14M-65	C2-5	DN Bushing:	F x 2"	A1-5	Belt:	3150-14M-65W	C2-7
Item	Product No.	Ref. Page																	
DR Sprocket:	W64-14M-65	C2-5																	
DR Bushing:	F x 2-3/4"	A1-5																	
DN Sprocket:	W56-14M-65	C2-5																	
DN Bushing:	F x 2"	A1-5																	
Belt:	3150-14M-65W	C2-7																	

Drives using MTO sprockets with a non-stock number of teeth follow the same procedure as above. Some interpolation of HP ratings may be necessary. Belt length and center distance can be calculated with the formula on page C2-12.



# QT Power Chain Synchronous 8M

## Drive Selection Tables

Line No.	Drive Ratio	Sprocket Combination				1160 RPM DriveR					1750 RPM DriveR							
		DRIVER		DRIVEN		DN	Horsepower				DN	Horsepower				480	560	600
		Teeth	PD (in)	Teeth	PD (in)		RPM	12MM	22MM	35MM		60MM	RPM	12MM	22MM			
<b>Multiply Horsepower Listed by Length Correction Factor to Find Horsepower Rating --&gt;</b>																		
1	1.00	22	2.206	22	2.206	1160	3.98	7.29	11.60	19.88	1750	5.63	10.32	16.42	28.15	5.98	7.56	8.35
2	1.00	24	2.406	24	2.406	1160	4.47	8.20	13.04	22.35	1750	6.33	11.60	18.46	31.65	5.67	7.24	8.03
3	1.00	26	2.607	26	2.607	1160	4.96	9.10	14.48	24.82	1750	7.03	12.88	20.50	35.14	5.35	6.93	7.72
4	1.00	28	2.807	28	2.807	1160	5.46	10.01	15.92	27.29	1750	7.72	14.16	22.53	38.62	5.04	6.61	7.40
5	1.00	30	3.008	30	3.008	1160	5.95	10.91	17.36	29.76	1750	8.42	15.44	24.56	42.11	4.72	6.30	7.09
6	1.00	32	3.208	32	3.208	1160	6.45	11.82	18.80	32.23	1750	9.12	16.72	26.59	45.59	4.41	5.98	6.77
7	1.00	34	3.409	34	3.409	1160	6.94	12.72	20.24	34.70	1750	9.81	17.99	28.62	49.07	-	5.67	6.46
8	1.00	36	3.609	36	3.609	1160	7.43	13.63	21.68	37.16	1750	10.51	19.26	30.65	52.54	-	5.35	6.14
9	1.00	38	3.810	38	3.810	1160	7.93	14.53	23.12	39.63	1750	11.20	20.54	32.67	56.01	-	5.04	5.83
10	1.00	40	4.010	40	4.010	1160	8.42	15.43	24.55	42.09	1750	11.89	21.81	34.69	59.47	-	-	5.51
11	1.00	44	4.411	44	4.411	1160	9.40	17.24	27.42	47.01	1750	13.28	24.34	38.72	66.38	-	-	-
12	1.00	48	4.812	48	4.812	1160	10.38	19.04	30.29	51.92	1750	14.66	26.87	42.74	73.28	-	-	-
13	1.00	56	5.614	56	5.614	1160	12.35	22.64	36.01	61.73	1750	17.40	31.90	50.74	86.99	-	-	-
14	1.00	64	6.416	64	6.416	1160	14.30	26.22	41.72	71.51	1750	20.12	36.89	58.68	100.60	-	-	-
15	1.00	72	7.218	72	7.218	1160	16.25	29.79	47.40	81.25	1750	22.82	41.83	66.55	114.08	-	-	-
16	1.00	80	8.020	80	8.020	1160	18.19	33.35	53.06	90.96	1750	25.49	46.72	74.33	127.43	-	-	-
17	1.05	38	3.810	40	4.010	1102	7.93	14.53	23.12	39.63	1662	11.20	20.54	32.67	56.01	-	4.88	5.67
18	1.06	36	3.609	38	3.810	1099	7.43	13.63	21.68	37.16	1658	10.51	19.26	30.65	52.54	-	5.20	5.98
19	1.06	34	3.409	36	3.609	1096	6.94	12.72	20.24	34.70	1653	9.81	17.99	28.62	49.07	-	5.51	6.30
20	1.06	32	3.208	34	3.409	1092	6.45	11.82	18.80	32.23	1647	9.12	16.72	26.59	45.59	4.25	5.83	6.61
21	1.07	30	3.008	32	3.208	1088	5.95	10.91	17.36	29.76	1641	8.42	15.44	24.56	42.11	4.57	6.14	6.93
22	1.07	28	2.807	30	3.008	1083	5.46	10.01	15.92	27.29	1633	7.72	14.16	22.53	38.62	4.88	6.46	7.24
23	1.08	26	2.607	28	2.807	1077	4.96	9.10	14.48	24.82	1625	7.03	12.88	20.50	35.14	5.20	6.77	7.56
24	1.08	24	2.406	26	2.607	1071	4.47	8.20	13.04	22.35	1615	6.33	11.60	18.46	31.65	5.51	7.09	7.87
25	1.09	22	2.206	24	2.406	1063	3.98	7.29	11.60	19.88	1604	5.63	10.32	16.42	28.15	5.83	7.40	8.19
26	1.09	44	4.411	48	4.812	1063	9.40	17.24	27.42	47.01	1604	13.28	24.34	38.72	66.38	-	-	-
27	1.10	40	4.010	44	4.411	1055	8.42	15.43	24.55	42.09	1591	11.89	21.81	34.69	59.47	-	-	5.19
28	1.11	36	3.609	40	4.010	1044	7.43	13.63	21.68	37.16	1575	10.51	19.26	30.65	52.54	-	5.04	5.82
29	1.11	72	7.218	80	8.020	1044	16.25	29.79	47.40	81.25	1575	22.82	41.83	66.55	114.08	-	-	-
30	1.12	34	3.409	38	3.810	1038	6.94	12.72	20.24	34.70	1566	9.81	17.99	28.62	49.07	-	5.35	6.14
31	1.13	32	3.208	36	3.609	1031	6.45	11.82	18.80	32.23	1556	9.12	16.72	26.59	45.59	-	5.67	6.45
32	1.13	64	6.416	72	7.218	1031	14.30	26.22	41.72	71.51	1556	20.12	36.89	58.68	100.60	-	-	-
33	1.13	80	8.020	90	9.023	1031	18.19	33.35	53.06	90.96	1556	25.49	46.72	74.33	127.43	-	-	-
34	1.13	30	3.008	34	3.409	1024	5.95	10.91	17.36	29.76	1544	8.42	15.44	24.56	42.11	4.40	5.98	6.77
35	1.14	28	2.807	32	3.208	1015	5.46	10.01	15.92	27.29	1531	7.72	14.16	22.53	38.62	4.72	6.30	7.08
36	1.14	56	5.614	64	6.416	1015	12.35	22.64	36.01	61.73	1531	17.40	31.90	50.74	86.99	-	-	-
37	1.15	26	2.607	30	3.008	1005	4.96	9.10	14.48	24.82	1517	7.03	12.88	20.50	35.14	5.04	6.61	7.40
38	1.16	38	3.810	44	4.411	1002	7.93	14.53	23.12	39.63	1511	11.20	20.54	32.67	56.01	-	-	5.35
39	1.17	24	2.406	28	2.807	994	4.47	8.20	13.04	22.35	1500	6.33	11.60	18.46	31.65	5.35	6.93	7.71
40	1.17	48	4.812	56	5.614	994	10.38	19.04	30.29	51.92	1500	14.66	26.87	42.74	73.28	-	-	-
41	1.18	34	3.409	40	4.010	986	6.94	12.72	20.24	34.70	1488	9.81	17.99	28.62	49.07	-	5.19	5.98
42	1.18	22	2.206	26	2.607	982	3.98	7.29	11.60	19.88	1481	5.63	10.32	16.42	28.15	5.67	7.24	8.03
43	1.19	32	3.208	38	3.810	977	6.45	11.82	18.80	32.23	1474	9.12	16.72	26.59	45.59	-	5.50	6.29
44	1.20	30	3.008	36	3.609	967	5.95	10.91	17.36	29.76	1458	8.42	15.44	24.56	42.11	4.24	5.82	6.61
45	1.20	40	4.010	48	4.812	967	8.42	15.43	24.55	42.09	1458	11.89	21.81	34.69	59.47	-	-	-
46	1.21	28	2.807	34	3.409	955	5.46	10.01	15.92	27.29	1441	7.72	14.16	22.53	38.62	4.56	6.13	6.92
47	1.22	36	3.609	44	4.411	949	7.43	13.63	21.68	37.16	1432	10.51	19.26	30.65	52.54	-	-	5.50
48	1.23	26	2.607	32	3.208	942	4.96	9.10	14.48	24.82	1422	7.03	12.88	20.50	35.14	4.87	6.45	7.24
49	1.25	24	2.406	30	3.008	928	4.47	8.20	13.04	22.35	1400	6.33	11.60	18.46	31.65	5.19	6.76	7.55
50	1.25	32	3.208	40	4.010	928	6.45	11.82	18.80	32.23	1400	9.12	16.72	26.59	45.59	-	5.34	6.13
<b>Multiply Horsepower Listed by Length Correction Factor to Find Horsepower Rating --&gt;</b>																		
																<b>0.80</b>	<b>0.80</b>	<b>0.80</b>

# QT Power Chain Synchronous 8M

## Drive Selection Tables

CENTER DISTANCE																		Line No.
BELT LENGTH - Length Correction Factor																		
640	720	800	880	960	1040	1120	1200	1224	1280	1440	1600	1760	1800	2000	2200	2400	2600	
0.90	0.90	0.90	0.90	1.00	1.00	1.00	1.00	1.00	1.10	1.10	1.10	1.10	1.20	1.20	1.20	1.20	1.20	
9.13	10.71	12.28	13.86	15.43	17.01	18.58	20.16	20.63	21.73	24.88	28.03	31.18	31.97	35.91	39.84	43.78	47.72	1
8.82	10.39	11.97	13.54	15.12	16.69	18.27	19.84	20.31	21.42	24.57	27.72	30.87	31.65	35.59	39.53	43.46	47.40	2
8.50	10.08	11.65	13.23	14.80	16.38	17.95	19.53	20.00	21.10	24.25	27.40	30.55	31.34	35.28	39.21	43.15	47.09	3
8.19	9.76	11.34	12.91	14.49	16.06	17.64	19.21	19.69	20.79	23.94	27.09	30.24	31.02	34.96	38.90	42.83	46.77	4
7.87	9.45	11.02	12.60	14.17	15.75	17.32	18.90	19.37	20.47	23.62	26.77	29.92	30.71	34.65	38.58	42.52	46.46	5
7.56	9.13	10.71	12.28	13.86	15.43	17.01	18.58	19.06	20.16	23.31	26.46	29.61	30.39	34.33	38.27	42.20	46.14	6
7.24	8.82	10.39	11.97	13.54	15.12	16.69	18.27	18.74	19.84	22.99	26.14	29.29	30.08	34.02	37.95	41.89	45.83	7
6.93	8.50	10.08	11.65	13.23	14.80	16.38	17.95	18.43	19.53	22.68	25.83	28.98	29.76	33.70	37.64	41.57	45.51	8
6.61	8.19	9.76	11.34	12.91	14.49	16.06	17.64	18.11	19.21	22.36	25.51	28.66	29.45	33.39	37.32	41.26	45.20	9
6.30	7.87	9.45	11.02	12.60	14.17	15.75	17.32	17.80	18.90	22.05	25.20	28.35	29.13	33.07	37.01	40.94	44.88	10
5.67	7.24	8.82	10.39	11.97	13.54	15.12	16.69	17.17	18.27	21.42	24.57	27.72	28.50	32.44	36.38	40.31	44.25	11
-	6.61	8.19	9.76	11.34	12.91	14.49	16.06	16.54	17.64	20.79	23.94	27.09	27.87	31.81	35.75	39.69	43.62	12
-	-	6.93	8.50	10.08	11.65	13.23	14.80	15.28	16.38	19.53	22.68	25.83	26.61	30.55	34.49	38.43	42.36	13
-	-	-	7.24	8.82	10.39	11.97	13.54	14.02	15.12	18.27	21.42	24.57	25.35	29.29	33.23	37.17	41.10	14
-	-	-	-	-	9.13	10.71	12.28	12.76	13.86	17.01	20.16	23.31	24.09	28.03	31.97	35.91	39.84	15
-	-	-	-	-	-	9.45	11.02	11.50	12.60	15.75	18.90	22.05	22.83	26.77	30.71	34.65	38.58	16
6.46	8.03	9.61	11.18	12.76	14.33	15.91	17.48	17.95	19.05	22.20	25.35	28.50	29.29	33.23	37.17	41.10	45.04	17
6.77	8.35	9.92	11.50	13.07	14.65	16.22	17.79	18.27	19.37	22.52	25.67	28.82	29.61	33.54	37.48	41.42	45.35	18
7.09	8.66	10.24	11.81	13.39	14.96	16.54	18.11	18.58	19.68	22.83	25.98	29.13	29.92	33.86	37.80	41.73	45.67	19
7.40	8.98	10.55	12.13	13.70	15.28	16.85	18.42	18.90	20.00	23.15	26.30	29.45	30.24	34.17	38.11	42.05	45.98	20
7.72	9.29	10.87	12.44	14.02	15.59	17.17	18.74	19.21	20.31	23.46	26.61	29.76	30.55	34.49	38.43	42.36	46.30	21
8.03	9.61	11.18	12.76	14.33	15.91	17.48	19.05	19.53	20.63	23.78	26.93	30.08	30.87	34.80	38.74	42.68	46.61	22
8.35	9.92	11.50	13.07	14.65	16.22	17.79	19.37	19.84	20.94	24.09	27.24	30.39	31.18	35.12	39.05	42.99	46.93	23
8.66	10.24	11.81	13.39	14.96	16.54	18.11	19.68	20.16	21.26	24.41	27.56	30.71	31.50	35.43	39.37	43.31	47.24	24
8.98	10.55	12.13	13.70	15.28	16.85	18.42	20.00	20.47	21.57	24.72	27.87	31.02	31.81	35.75	39.68	43.62	47.56	25
-	6.93	8.50	10.08	11.65	13.23	14.80	16.38	16.85	17.95	21.10	24.25	27.40	28.19	32.13	36.06	40.00	43.94	26
5.98	7.56	9.13	10.71	12.28	13.86	15.43	17.01	17.48	18.58	21.73	24.88	28.03	28.82	32.76	36.69	40.63	44.57	27
6.61	8.19	9.76	11.34	12.91	14.49	16.06	17.64	18.11	19.21	22.36	25.51	28.66	29.45	33.39	37.32	41.26	45.20	28
-	-	-	-	-	8.49	10.07	11.65	12.12	13.22	16.37	19.52	22.67	23.46	27.40	31.34	35.27	39.21	29
6.93	8.50	10.08	11.65	13.23	14.80	16.38	17.95	18.42	19.53	22.68	25.83	28.98	29.76	33.70	37.64	41.57	45.51	30
7.24	8.82	10.39	11.97	13.54	15.12	16.69	18.27	18.74	19.84	22.99	26.14	29.29	30.08	34.02	37.95	41.89	45.83	31
-	-	-	-	8.18	9.76	11.33	12.91	13.38	14.48	17.63	20.78	23.93	24.72	28.66	32.60	36.53	40.47	32
-	-	-	-	-	-	-	10.22	10.70	11.80	14.95	18.10	21.25	22.04	25.98	29.92	33.85	37.79	33
7.56	9.13	10.71	12.28	13.86	15.43	17.01	18.58	19.05	20.16	23.31	26.46	29.61	30.39	34.33	38.27	42.20	46.14	34
7.87	9.45	11.02	12.60	14.17	15.75	17.32	18.90	19.37	20.47	23.62	26.77	29.92	30.71	34.65	38.58	42.52	46.46	35
-	-	-	7.86	9.44	11.02	12.59	14.17	14.64	15.74	18.89	22.04	25.19	25.98	29.92	33.86	37.79	41.73	36
8.19	9.76	11.34	12.91	14.49	16.06	17.64	19.21	19.68	20.79	23.94	27.09	30.24	31.02	34.96	38.90	42.83	46.77	37
6.13	7.71	9.29	10.86	12.44	14.01	15.59	17.16	17.64	18.74	21.89	25.04	28.19	28.97	32.91	36.85	40.79	44.72	38
8.50	10.08	11.65	13.23	14.80	16.38	17.95	19.53	20.00	21.10	24.25	27.40	30.55	31.34	35.28	39.21	43.15	47.09	39
-	5.97	7.55	9.13	10.70	12.28	13.85	15.43	15.90	17.00	20.15	23.30	26.45	27.24	31.18	35.12	39.05	42.99	40
6.76	8.34	9.92	11.49	13.07	14.64	16.22	17.79	18.27	19.37	22.52	25.67	28.82	29.60	33.54	37.48	41.42	45.35	41
8.82	10.39	11.97	13.54	15.12	16.69	18.27	19.84	20.31	21.42	24.57	27.72	30.87	31.65	35.59	39.53	43.46	47.40	42
7.08	8.66	10.23	11.81	13.38	14.96	16.53	18.11	18.58	19.68	22.83	25.98	29.13	29.92	33.86	37.79	41.73	45.67	43
7.40	8.97	10.55	12.12	13.70	15.27	16.85	18.42	18.90	20.00	23.15	26.30	29.45	30.23	34.17	38.11	42.05	45.98	44
5.66	7.23	8.81	10.39	11.96	13.54	15.11	16.69	17.16	18.26	21.41	24.56	27.71	28.50	32.44	36.38	40.31	44.25	45
7.71	9.29	10.86	12.44	14.01	15.59	17.16	18.74	19.21	20.31	23.46	26.61	29.76	30.55	34.49	38.42	42.36	46.30	46
6.29	7.86	9.44	11.02	12.59	14.17	15.74	17.32	17.79	18.89	22.04	25.19	28.34	29.13	33.07	37.01	40.94	44.88	47
8.03	9.60	11.18	12.75	14.33	15.90	17.48	19.05	19.53	20.63	23.78	26.93	30.08	30.86	34.80	38.74	42.68	46.61	48
8.34	9.92	11.49	13.07	14.64	16.22	17.79	19.37	19.84	20.94	24.09	27.24	30.39	31.18	35.12	39.05	42.99	46.93	49
6.92	8.49	10.07	11.65	13.22	14.80	16.37	17.95	18.42	19.52	22.67	25.82	28.97	29.76	33.70	37.64	41.57	45.51	50
0.90	0.90	0.90	0.90	1.00	1.00	1.00	1.00	1.00	1.10	1.10	1.10	1.10	1.20	1.20	1.20	1.20	1.20	

# QT Power Chain Synchronous 8M

## Drive Selection Tables

Line No.	Drive Ratio	Sprocket Combination				1160 RPM DriveR					1750 RPM DriveR							
		DRIVER		DRIVEN		DN RPM	Horsepower				DN RPM	Horsepower				480	560	600
		Teeth	PD (in)	Teeth	PD (in)		12MM	22MM	35MM	60MM		12MM	22MM	35MM	60MM			
<b>Multiply Horsepower Listed by Length Correction Factor to Find Horsepower Rating --&gt;</b>																		
51	1.25	64	6.416	80	8.020	928	14.30	26.22	41.72	71.51	1400	20.12	36.89	58.68	100.60	-	-	-
52	1.25	72	7.218	90	9.023	928	16.25	29.79	47.40	81.25	1400	22.82	41.83	66.55	114.08	-	-	-
53	1.26	38	3.810	48	4.812	918	7.93	14.53	23.12	39.63	1385	11.20	20.54	32.67	56.01	-	-	-
54	1.27	30	3.008	38	3.810	916	5.95	10.91	17.36	29.76	1382	8.42	15.44	24.56	42.11	-	5.66	6.44
55	1.27	22	2.206	28	2.807	911	3.98	7.29	11.60	19.88	1375	5.63	10.32	16.42	28.15	5.50	7.08	7.87
56	1.27	44	4.411	56	5.614	911	9.40	17.24	27.42	47.01	1375	13.28	24.34	38.72	66.38	-	-	-
57	1.29	28	2.807	36	3.609	902	5.46	10.01	15.92	27.29	1361	7.72	14.16	22.53	38.62	4.39	5.97	6.76
58	1.29	56	5.614	72	7.218	902	12.35	22.64	36.01	61.73	1361	17.40	31.90	50.74	86.99	-	-	-
59	1.29	34	3.409	44	4.411	896	6.94	12.72	20.24	34.70	1352	9.81	17.99	28.62	49.07	-	4.86	5.65
60	1.31	26	2.607	34	3.409	887	4.96	9.10	14.48	24.82	1338	7.03	12.88	20.50	35.14	4.71	6.29	7.08
61	1.33	24	2.406	32	3.208	870	4.47	8.20	13.04	22.35	1312	6.33	11.60	18.46	31.65	5.02	6.60	7.39
62	1.33	30	3.008	40	4.010	870	5.95	10.91	17.36	29.76	1312	8.42	15.44	24.56	42.11	-	5.49	6.28
63	1.33	36	3.609	48	4.812	870	7.43	13.63	21.68	37.16	1312	10.51	19.26	30.65	52.54	-	-	5.16
64	1.33	48	4.812	64	6.416	870	10.38	19.04	30.29	51.92	1312	14.66	26.87	42.74	73.28	-	-	-
65	1.36	28	2.807	38	3.810	855	5.46	10.01	15.92	27.29	1289	7.72	14.16	22.53	38.62	4.22	5.81	6.60
66	1.36	22	2.206	30	3.008	851	3.98	7.29	11.60	19.88	1283	5.63	10.32	16.42	28.15	5.34	6.92	7.71
67	1.38	32	3.208	44	4.411	844	6.45	11.82	18.80	32.23	1273	9.12	16.72	26.59	45.59	-	5.00	5.80
68	1.38	26	2.607	36	3.609	838	4.96	9.10	14.48	24.82	1264	7.03	12.88	20.50	35.14	4.54	6.12	6.91
69	1.40	40	4.010	56	5.614	829	8.42	15.43	24.55	42.09	1250	11.89	21.81	34.69	59.47	-	-	-
70	1.40	80	8.020	112	11.229	829	18.19	33.35	53.06	90.96	1250	25.49	46.72	74.33	127.43	-	-	-
71	1.41	64	6.416	90	9.023	825	14.30	26.22	41.72	71.51	1244	20.12	36.89	58.68	100.60	-	-	-
72	1.41	34	3.409	48	4.812	822	6.94	12.72	20.24	34.70	1240	9.81	17.99	28.62	49.07	-	-	5.31
73	1.42	24	2.406	34	3.409	819	4.47	8.20	13.04	22.35	1235	6.33	11.60	18.46	31.65	4.86	6.44	7.23
74	1.43	28	2.807	40	4.010	812	5.46	10.01	15.92	27.29	1225	7.72	14.16	22.53	38.62	-	5.64	6.43
75	1.43	56	5.614	80	8.020	812	12.35	22.64	36.01	61.73	1225	17.40	31.90	50.74	86.99	-	-	-
76	1.45	22	2.206	32	3.208	798	3.98	7.29	11.60	19.88	1203	5.63	10.32	16.42	28.15	5.17	6.75	7.54
77	1.45	44	4.411	64	6.416	798	9.40	17.24	27.42	47.01	1203	13.28	24.34	38.72	66.38	-	-	-
78	1.46	26	2.607	38	3.810	794	4.96	9.10	14.48	24.82	1197	7.03	12.88	20.50	35.14	4.37	5.95	6.74
79	1.47	30	3.008	44	4.411	791	5.95	10.91	17.36	29.76	1193	8.42	15.44	24.56	42.11	-	5.15	5.94
80	1.47	38	3.810	56	5.614	787	7.93	14.53	23.12	39.63	1188	11.20	20.54	32.67	56.01	-	-	-
81	1.50	24	2.406	36	3.609	773	4.47	8.20	13.04	22.35	1167	6.33	11.60	18.46	31.65	4.69	6.27	7.06
82	1.50	32	3.208	48	4.812	773	6.45	11.82	18.80	32.23	1167	9.12	16.72	26.59	45.59	-	-	5.45
83	1.50	48	4.812	72	7.218	773	10.38	19.04	30.29	51.92	1167	14.66	26.87	42.74	73.28	-	-	-
84	1.54	26	2.607	40	4.010	754	4.96	9.10	14.48	24.82	1138	7.03	12.88	20.50	35.14	4.19	5.78	6.58
85	1.55	22	2.206	34	3.409	751	3.98	7.29	11.60	19.88	1132	5.63	10.32	16.42	28.15	5.00	6.59	7.38
86	1.56	36	3.609	56	5.614	746	7.43	13.63	21.68	37.16	1125	10.51	19.26	30.65	52.54	-	-	-
87	1.56	72	7.218	112	11.229	746	16.25	29.79	47.40	81.25	1125	22.82	41.83	66.55	114.08	-	-	-
88	1.57	28	2.807	44	4.411	738	5.46	10.01	15.92	27.29	1114	7.72	14.16	22.53	38.62	-	5.29	6.09
89	1.58	24	2.406	38	3.810	733	4.47	8.20	13.04	22.35	1105	6.33	11.60	18.46	31.65	4.51	6.10	6.89
90	1.60	30	3.008	48	4.812	725	5.95	10.91	17.36	29.76	1094	8.42	15.44	24.56	42.11	-	4.80	5.60
91	1.60	40	4.010	64	6.416	725	8.42	15.43	24.55	42.09	1094	11.89	21.81	34.69	59.47	-	-	-
92	1.61	56	5.614	90	9.023	722	12.35	22.64	36.01	61.73	1089	17.40	31.90	50.74	86.99	-	-	-
93	1.64	22	2.206	36	3.609	709	3.98	7.29	11.60	19.88	1069	5.63	10.32	16.42	28.15	4.83	6.42	7.21
94	1.64	44	4.411	72	7.218	709	9.40	17.24	27.42	47.01	1069	13.28	24.34	38.72	66.38	-	-	-
95	1.65	34	3.409	56	5.614	704	6.94	12.72	20.24	34.70	1062	9.81	17.99	28.62	49.07	-	-	-
96	1.67	24	2.406	40	4.010	696	4.47	8.20	13.04	22.35	1050	6.33	11.60	18.46	31.65	4.34	5.93	6.72
97	1.67	48	4.812	80	8.020	696	10.38	19.04	30.29	51.92	1050	14.66	26.87	42.74	73.28	-	-	-
98	1.68	38	3.810	64	6.416	689	7.93	14.53	23.12	39.63	1039	11.20	20.54	32.67	56.01	-	-	-
99	1.69	26	2.607	44	4.411	685	4.96	9.10	14.48	24.82	1034	7.03	12.88	20.50	35.14	-	5.44	6.23
100	1.71	28	2.807	48	4.812	677	5.46	10.01	15.92	27.29	1021	7.72	14.16	22.53	38.62	-	4.94	5.74
<b>Multiply Horsepower Listed by Length Correction Factor to Find Horsepower Rating --&gt;</b>																		
																<b>0.80</b>	<b>0.80</b>	<b>0.80</b>



# QT Power Chain Synchronous 8M

## Drive Selection Tables

CENTER DISTANCE																		Line No.
BELT LENGTH - Length Correction Factor																		
640	720	800	880	960	1040	1120	1200	1224	1280	1440	1600	1760	1800	2000	2200	2400	2600	
0.90	0.90	0.90	0.90	1.00	1.00	1.00	1.00	1.00	1.10	1.10	1.10	1.10	1.20	1.20	1.20	1.20	1.20	
-	-	-	-	-	9.10	10.68	12.26	12.73	13.83	16.99	20.14	23.29	24.08	28.02	31.96	35.90	39.83	51
-	-	-	-	-	-	9.25	10.83	11.30	12.41	15.56	18.72	21.87	22.66	26.60	30.54	34.48	38.41	52
5.81	7.38	8.96	10.54	12.12	13.69	15.27	16.84	17.32	18.42	21.57	24.72	27.87	28.66	32.59	36.53	40.47	44.41	53
7.23	8.81	10.39	11.96	13.54	15.11	16.69	18.26	18.74	19.84	22.99	26.14	29.29	30.08	34.01	37.95	41.89	45.83	54
8.66	10.23	11.81	13.38	14.96	16.53	18.11	19.68	20.16	21.26	24.41	27.56	30.71	31.49	35.43	39.37	43.31	47.24	55
-	6.27	7.85	9.43	11.01	12.58	14.16	15.74	16.21	17.31	20.46	23.61	26.76	27.55	31.49	35.43	39.37	43.30	56
7.55	9.13	10.70	12.28	13.85	15.43	17.00	18.58	19.05	20.15	23.30	26.45	29.60	30.39	34.33	38.27	42.20	46.14	57
-	-	-	7.20	8.78	10.36	11.94	13.52	13.99	15.10	18.25	21.40	24.55	25.34	29.28	33.22	37.16	41.09	58
6.44	8.02	9.59	11.17	12.75	14.32	15.90	17.47	17.95	19.05	22.20	25.35	28.50	29.29	33.22	37.16	41.10	45.04	59
7.86	9.44	11.02	12.59	14.17	15.74	17.32	18.89	19.37	20.47	23.62	26.77	29.92	30.71	34.64	38.58	42.52	46.45	60
8.18	9.76	11.33	12.91	14.48	16.06	17.63	19.21	19.68	20.78	23.93	27.08	30.23	31.02	34.96	38.90	42.83	46.77	61
7.07	8.65	10.22	11.80	13.38	14.95	16.53	18.10	18.58	19.68	22.83	25.98	29.13	29.92	33.85	37.79	41.73	45.67	62
5.95	7.54	9.11	10.69	12.27	13.85	15.42	17.00	17.47	18.57	21.72	24.87	28.03	28.81	32.75	36.69	40.63	44.56	63
-	-	6.88	8.47	10.05	11.63	13.20	14.78	15.25	16.36	19.51	22.66	25.81	26.60	30.54	34.48	38.42	42.35	64
7.38	8.96	10.54	12.12	13.69	15.27	16.84	18.42	18.89	19.99	23.14	26.29	29.44	30.23	34.17	38.11	42.04	45.98	65
8.49	10.07	11.65	13.22	14.80	16.37	17.95	19.52	20.00	21.10	24.25	27.40	30.55	31.34	35.27	39.21	43.15	47.08	66
6.59	8.17	9.75	11.32	12.90	14.48	16.05	17.63	18.10	19.20	22.35	25.50	28.66	29.44	33.38	37.32	41.26	45.19	67
7.70	9.28	10.85	12.43	14.01	15.58	17.16	18.73	19.21	20.31	23.46	26.61	29.76	30.55	34.48	38.42	42.36	46.30	68
-	6.57	8.15	9.73	11.31	12.89	14.47	16.04	16.52	17.62	20.77	23.92	27.07	27.86	31.80	35.74	39.68	43.61	69
-	-	-	-	-	-	-	-	-	-	13.13	16.30	19.46	20.25	24.20	28.14	32.09	36.03	70
-	-	-	-	-	-	9.83	11.42	11.90	13.01	16.17	19.33	22.48	23.27	27.21	31.15	35.09	39.03	71
6.10	7.68	9.26	10.84	12.42	14.00	15.57	17.15	17.62	18.73	21.88	25.03	28.18	28.97	32.91	36.84	40.78	44.72	72
8.02	9.59	11.17	12.75	14.32	15.90	17.47	19.05	19.52	20.62	23.77	26.92	30.07	30.86	34.80	38.74	42.67	46.61	73
7.22	8.80	10.38	11.95	13.53	15.11	16.68	18.26	18.73	19.83	22.98	26.13	29.29	30.07	34.01	37.95	41.89	45.82	74
-	-	-	-	8.10	9.69	11.27	12.86	13.33	14.44	17.60	20.75	23.91	24.70	28.64	32.58	36.52	40.45	75
8.33	9.91	11.49	13.06	14.64	16.21	17.79	19.36	19.84	20.94	24.09	27.24	30.39	31.18	35.11	39.05	42.99	46.93	76
-	-	7.17	8.76	10.35	11.93	13.51	15.08	15.56	16.66	19.82	22.97	26.12	26.91	30.85	34.79	38.73	42.67	77
7.54	9.11	10.69	12.27	13.85	15.42	17.00	18.57	19.05	20.15	23.30	26.45	29.60	30.39	34.33	38.26	42.20	46.14	78
6.74	8.32	9.90	11.47	13.05	14.63	16.21	17.78	18.25	19.36	22.51	25.66	28.81	29.60	33.54	37.47	41.41	45.35	79
-	6.71	8.30	9.88	11.46	13.04	14.62	16.20	16.67	17.77	20.93	24.08	27.23	28.02	31.96	35.89	39.83	43.77	80
7.85	9.43	11.01	12.58	14.16	15.74	17.31	18.89	19.36	20.46	23.61	26.76	29.92	30.70	34.64	38.58	42.52	46.45	81
6.25	7.83	9.41	10.99	12.57	14.15	15.73	17.30	17.78	18.88	22.03	25.18	28.34	29.12	33.06	37.00	40.94	44.87	82
-	-	-	7.78	9.37	10.96	12.54	14.12	14.60	15.70	18.86	22.01	25.17	25.96	29.90	33.84	37.78	41.71	83
7.37	8.95	10.53	12.11	13.68	15.26	16.84	18.41	18.88	19.99	23.14	26.29	29.44	30.23	34.17	38.10	42.04	45.98	84
8.17	9.75	11.32	12.90	14.48	16.05	17.63	19.20	19.68	20.78	23.93	27.08	30.23	31.02	34.96	38.89	42.83	46.77	85
-	6.86	8.44	10.03	11.61	13.19	14.77	16.35	16.82	17.92	21.08	24.23	27.38	28.17	32.11	36.05	39.99	43.93	86
-	-	-	-	-	-	-	-	-	10.52	13.71	16.89	20.06	20.85	24.80	28.75	32.69	36.64	87
6.88	8.47	10.05	11.63	13.20	14.78	16.36	17.93	18.41	19.51	22.66	25.81	28.97	29.75	33.69	37.63	41.57	45.50	88
7.68	9.26	10.84	12.42	14.00	15.57	17.15	18.73	19.20	20.30	23.45	26.60	29.76	30.54	34.48	38.42	42.36	46.29	89
6.39	7.98	9.56	11.14	12.72	14.30	15.88	17.46	17.93	19.03	22.19	25.34	28.49	29.28	33.22	37.15	41.09	45.03	90
-	-	7.46	9.05	10.64	12.22	13.81	15.39	15.86	16.97	20.12	23.28	26.43	27.22	31.16	35.10	39.04	42.98	91
-	-	-	-	-	8.81	10.41	12.00	12.48	13.59	16.76	19.93	23.09	23.88	27.82	31.77	35.71	39.65	92
8.00	9.58	11.16	12.74	14.31	15.89	17.47	19.04	19.51	20.62	23.77	26.92	30.07	30.86	34.80	38.73	42.67	46.61	93
-	-	-	8.07	9.66	11.25	12.84	14.42	14.89	16.00	19.16	22.32	25.47	26.26	30.20	34.14	38.08	42.02	94
5.40	7.00	8.59	10.18	11.76	13.34	14.92	16.50	16.97	18.08	21.23	24.38	27.54	28.32	32.26	36.20	40.14	44.08	95
7.52	9.10	10.68	12.26	13.84	15.41	16.99	18.57	19.04	20.14	23.29	26.44	29.60	30.38	34.32	38.26	42.20	46.13	96
-	-	-	-	8.67	10.27	11.86	13.45	13.92	15.03	18.20	21.36	24.51	25.30	29.25	33.19	37.13	41.07	97
-	6.00	7.60	9.20	10.79	12.37	13.95	15.54	16.01	17.12	20.27	23.43	26.58	27.37	31.31	35.25	39.19	43.13	98
7.03	8.61	10.20	11.78	13.36	14.93	16.51	18.09	18.56	19.66	22.82	25.97	29.12	29.91	33.85	37.78	41.72	45.66	99
6.54	8.13	9.71	11.29	12.87	14.45	16.03	17.61	18.08	19.19	22.34	25.49	28.64	29.43	33.37	37.31	41.25	45.19	100
<b>0.90</b>	<b>0.90</b>	<b>0.90</b>	<b>0.90</b>	<b>1.00</b>	<b>1.00</b>	<b>1.00</b>	<b>1.00</b>	<b>1.00</b>	<b>1.10</b>	<b>1.10</b>	<b>1.10</b>	<b>1.10</b>	<b>1.20</b>	<b>1.20</b>	<b>1.20</b>	<b>1.20</b>	<b>1.20</b>	

# QT Power Chain Synchronous 8M

## Drive Selection Tables

Line No.	Drive Ratio	Sprocket Combination				1160 RPM DriveR					1750 RPM DriveR				560	600	
		DRIVER		DRIVEN		DN RPM	Horsepower				DN RPM	Horsepower					
		Teeth	PD (in)	Teeth	PD (in)		12MM	22MM	35MM	60MM		12MM	22MM	35MM			60MM
Multiply Horsepower Listed by Length Correction Factor to Find Horsepower Rating -->																	
101	1.73	22	2.206	38	3.810	672	3.98	7.29	11.60	19.88	1013	5.63	10.32	16.42	28.15	6.25	7.04
102	1.75	32	3.208	56	5.614	663	6.45	11.82	18.80	32.23	1000	9.12	16.72	26.59	45.59	-	-
103	1.75	64	6.416	112	11.229	663	14.30	26.22	41.72	71.51	1000	20.12	36.89	58.68	100.60	-	-
104	1.78	36	3.609	64	6.416	652	7.43	13.63	21.68	37.16	984	10.51	19.26	30.65	52.54	-	-
105	1.80	40	4.010	72	7.218	644	8.42	15.43	24.55	42.09	972	11.89	21.81	34.69	59.47	-	-
106	1.80	80	8.020	144	14.437	644	18.19	33.35	53.06	90.96	972	25.49	46.72	74.33	127.43	-	-
107	1.82	22	2.206	40	4.010	638	3.98	7.29	11.60	19.88	962	5.63	10.32	16.42	28.15	6.07	6.87
108	1.82	44	4.411	80	8.020	638	9.40	17.24	27.42	47.01	962	13.28	24.34	38.72	66.38	-	-
109	1.83	24	2.406	44	4.411	633	4.47	8.20	13.04	22.35	955	6.33	11.60	18.46	31.65	5.58	6.38
110	1.85	26	2.607	48	4.812	628	4.96	9.10	14.48	24.82	948	7.03	12.88	20.50	35.14	5.08	5.88
111	1.87	30	3.008	56	5.614	621	5.95	10.91	17.36	29.76	938	8.42	15.44	24.56	42.11	-	-
112	1.88	48	4.812	90	9.023	619	10.38	19.04	30.29	51.92	933	14.66	26.87	42.74	73.28	-	-
113	1.88	34	3.409	64	6.416	616	6.94	12.72	20.24	34.70	930	9.81	17.99	28.62	49.07	-	-
114	1.89	38	3.810	72	7.218	612	7.93	14.53	23.12	39.63	924	11.20	20.54	32.67	56.01	-	-
115	2.00	22	2.206	44	4.411	580	3.98	7.29	11.60	19.88	875	5.63	10.32	16.42	28.15	5.72	6.52
116	2.00	24	2.406	48	4.812	580	4.47	8.20	13.04	22.35	875	6.33	11.60	18.46	31.65	5.22	6.02
117	2.00	28	2.807	56	5.614	580	5.46	10.01	15.92	27.29	875	7.72	14.16	22.53	38.62	-	5.00
118	2.00	32	3.208	64	6.416	580	6.45	11.82	18.80	32.23	875	9.12	16.72	26.59	45.59	-	-
119	2.00	36	3.609	72	7.218	580	7.43	13.63	21.68	37.16	875	10.51	19.26	30.65	52.54	-	-
120	2.00	40	4.010	80	8.020	580	8.42	15.43	24.55	42.09	875	11.89	21.81	34.69	59.47	-	-
121	2.00	56	5.614	112	11.229	580	12.35	22.64	36.01	61.73	875	17.40	31.90	50.74	86.99	-	-
122	2.00	72	7.218	144	14.437	580	16.25	29.79	47.40	81.25	875	22.82	41.83	66.55	114.08	-	-
123	2.05	44	4.411	90	9.023	567	9.40	17.24	27.42	47.01	856	13.28	24.34	38.72	66.38	-	-
124	2.11	38	3.810	80	8.020	551	7.93	14.53	23.12	39.63	831	11.20	20.54	32.67	56.01	-	-
125	2.12	34	3.409	72	7.218	548	6.94	12.72	20.24	34.70	826	9.81	17.99	28.62	49.07	-	-
126	2.13	30	3.008	64	6.416	544	5.95	10.91	17.36	29.76	820	8.42	15.44	24.56	42.11	-	-
127	2.15	26	2.607	56	5.614	539	4.96	9.10	14.48	24.82	812	7.03	12.88	20.50	35.14	-	5.13
128	2.18	22	2.206	48	4.812	532	3.98	7.29	11.60	19.88	802	5.63	10.32	16.42	28.15	5.35	6.16
129	2.22	36	3.609	80	8.020	522	7.43	13.63	21.68	37.16	788	10.51	19.26	30.65	52.54	-	-
130	2.25	32	3.208	72	7.218	516	6.45	11.82	18.80	32.23	778	9.12	16.72	26.59	45.59	-	-
131	2.25	40	4.010	90	9.023	516	8.42	15.43	24.55	42.09	778	11.89	21.81	34.69	59.47	-	-
132	2.25	64	6.416	144	14.437	516	14.30	26.22	41.72	71.51	778	20.12	36.89	58.68	100.60	-	-
133	2.29	28	2.807	64	6.416	508	5.46	10.01	15.92	27.29	766	7.72	14.16	22.53	38.62	-	-
134	2.33	24	2.406	56	5.614	497	4.47	8.20	13.04	22.35	750	6.33	11.60	18.46	31.65	-	5.27
135	2.33	48	4.812	112	11.229	497	10.38	19.04	30.29	51.92	750	14.66	26.87	42.74	73.28	-	-
136	2.35	34	3.409	80	8.020	493	6.94	12.72	20.24	34.70	744	9.81	17.99	28.62	49.07	-	-
137	2.37	38	3.810	90	9.023	490	7.93	14.53	23.12	39.63	739	11.20	20.54	32.67	56.01	-	-
138	2.40	30	3.008	72	7.218	483	5.95	10.91	17.36	29.76	729	8.42	15.44	24.56	42.11	-	-
139	2.40	80	8.020	192	19.249	483	18.19	33.35	53.06	90.96	729	25.49	46.72	74.33	127.43	-	-
140	2.46	26	2.607	64	6.416	471	4.96	9.10	14.48	24.82	711	7.03	12.88	20.50	35.14	-	-
141	2.50	32	3.208	80	8.020	464	6.45	11.82	18.80	32.23	700	9.12	16.72	26.59	45.59	-	-
142	2.50	36	3.609	90	9.023	464	7.43	13.63	21.68	37.16	700	10.51	19.26	30.65	52.54	-	-
143	2.55	22	2.206	56	5.614	456	3.98	7.29	11.60	19.88	688	5.63	10.32	16.42	28.15	-	5.40
144	2.55	44	4.411	112	11.229	456	9.40	17.24	27.42	47.01	688	13.28	24.34	38.72	66.38	-	-
145	2.57	28	2.807	72	7.218	451	5.46	10.01	15.92	27.29	681	7.72	14.16	22.53	38.62	-	-
146	2.57	56	5.614	144	14.437	451	12.35	22.64	36.01	61.73	681	17.40	31.90	50.74	86.99	-	-
147	2.65	34	3.409	90	9.023	438	6.94	12.72	20.24	34.70	661	9.81	17.99	28.62	49.07	-	-
148	2.67	24	2.406	64	6.416	435	4.47	8.20	13.04	22.35	656	6.33	11.60	18.46	31.65	-	-
149	2.67	30	3.008	80	8.020	435	5.95	10.91	17.36	29.76	656	8.42	15.44	24.56	42.11	-	-
150	2.67	72	7.218	192	19.249	435	16.25	29.79	47.40	81.25	656	22.82	41.83	66.55	114.08	-	-
Multiply Horsepower Listed by Length Correction Factor to Find Horsepower Rating -->																	
														0.80	0.80		

# QT Power Chain Synchronous 8M

## Drive Selection Tables

CENTER DISTANCE																				Line No.
BELT LENGTH – Length Correction Factor																				
640	720	800	880	960	1040	1120	1200	1224	1280	1440	1600	1760	1800	2000	2200	2400	2600	2800	3048	
0.90	0.90	0.90	0.90	1.00	1.00	1.00	1.00	1.00	1.10	1.10	1.10	1.10	1.20	1.20	1.20	1.20	1.20	1.20	1.20	
7.83	9.41	10.99	12.57	14.15	15.73	17.30	18.88	19.35	20.46	23.61	26.76	29.91	30.70	34.64	38.57	42.51	46.45	50.39	55.27	101
5.54	7.14	8.74	10.32	11.91	13.49	15.07	16.65	17.12	18.23	21.38	24.54	27.69	28.48	32.42	36.36	40.30	44.24	48.17	53.06	102
-	-	-	-	-	-	-	-	9.95	11.08	14.29	17.47	20.65	21.44	25.40	29.35	33.30	37.25	41.19	46.08	103
-	6.14	7.75	9.34	10.93	12.52	14.10	15.69	16.16	17.27	20.42	23.58	26.73	27.52	31.46	35.41	39.35	43.28	47.22	52.11	104
-	-	6.74	8.35	9.95	11.54	13.13	14.72	15.19	16.30	19.46	22.62	25.78	26.57	30.51	34.45	38.39	42.33	46.27	51.16	105
-	-	-	-	-	-	-	-	-	-	-	13.48	16.70	17.50	21.49	25.47	29.43	33.39	37.34	42.24	106
7.66	9.25	10.83	12.41	13.99	15.56	17.14	18.72	19.19	20.29	23.45	26.60	29.75	30.54	34.48	38.41	42.35	46.29	50.23	55.11	107
-	-	-	7.34	8.95	10.55	12.15	13.74	14.22	15.33	18.49	21.66	24.82	25.61	29.55	33.49	37.44	41.38	45.32	50.20	108
7.17	8.76	10.35	11.93	13.51	15.08	16.66	18.24	18.71	19.82	22.97	26.12	29.27	30.06	34.00	37.94	41.88	45.82	49.75	54.64	109
6.68	8.27	9.86	11.44	13.02	14.60	16.18	17.76	18.23	19.34	22.49	25.65	28.80	29.59	33.53	37.46	41.40	45.34	49.28	54.16	110
5.68	7.28	8.88	10.47	12.06	13.64	15.22	16.80	17.27	18.38	21.54	24.69	27.84	28.63	32.57	36.51	40.45	44.39	48.33	53.21	111
-	-	-	-	7.75	9.37	10.98	12.58	13.06	14.17	17.35	20.52	23.69	24.48	28.43	32.37	36.32	40.26	44.20	49.09	112
-	6.28	7.89	9.49	11.08	12.67	14.25	15.83	16.31	17.42	20.57	23.73	26.89	27.68	31.62	35.56	39.50	43.44	47.38	52.26	113
-	-	6.88	8.49	10.09	11.69	13.28	14.86	15.34	16.45	19.61	22.77	25.93	26.72	30.66	34.60	38.54	42.49	46.43	51.31	114
7.32	8.91	10.49	12.08	13.66	15.24	16.81	18.39	18.87	19.97	23.12	26.28	29.43	30.22	34.16	38.09	42.03	45.97	49.91	54.79	115
6.82	8.42	10.01	11.59	13.17	14.75	16.33	17.91	18.39	19.49	22.65	25.80	28.95	29.74	33.68	37.62	41.56	45.50	49.43	54.32	116
5.81	7.43	9.02	10.62	12.20	13.79	15.37	16.95	17.42	18.53	21.69	24.84	28.00	28.78	32.73	36.67	40.61	44.54	48.48	53.37	117
-	6.41	8.03	9.63	11.22	12.81	14.40	15.98	16.46	17.56	20.73	23.88	27.04	27.83	31.77	35.71	39.65	43.59	47.53	52.42	118
-	-	7.01	8.63	10.23	11.83	13.42	15.01	15.49	16.59	19.76	22.92	26.08	26.87	30.81	34.76	38.70	42.64	46.58	51.46	119
-	-	-	7.61	9.23	10.84	12.44	14.03	14.51	15.62	18.79	21.96	25.12	25.91	29.85	33.80	37.74	41.68	45.63	50.51	120
-	-	-	-	-	-	-	10.00	10.49	11.63	14.85	18.05	21.23	22.03	25.99	29.95	33.90	37.85	41.80	46.69	121
-	-	-	-	-	-	-	-	-	-	-	14.02	17.26	18.06	22.07	26.05	30.02	33.98	37.94	42.84	122
-	-	-	-	8.01	9.65	11.26	12.86	13.34	14.46	17.64	20.82	23.98	24.77	28.73	32.67	36.62	40.56	44.51	49.39	123
-	-	-	7.75	9.37	10.98	12.58	14.17	14.65	15.76	18.94	22.10	25.27	26.06	30.00	33.95	37.89	41.84	45.78	50.66	124
-	-	7.15	8.77	10.38	11.97	13.57	15.16	15.63	16.74	19.91	23.07	26.23	27.02	30.97	34.91	38.85	42.79	46.73	51.62	125
-	6.55	8.17	9.77	11.37	12.96	14.55	16.13	16.61	17.71	20.88	24.03	27.19	27.98	31.92	35.86	39.81	43.75	47.69	52.57	126
5.95	7.57	9.17	10.76	12.35	13.93	15.52	17.10	17.57	18.68	21.84	24.99	28.15	28.94	32.88	36.82	40.76	44.70	48.64	53.52	127
6.96	8.56	10.15	11.74	13.32	14.90	16.48	18.06	18.54	19.64	22.80	25.95	29.10	29.89	33.83	37.77	41.71	45.65	49.59	54.47	128
-	-	-	7.88	9.51	11.12	12.72	14.32	14.80	15.91	19.09	22.25	25.42	26.21	30.16	34.10	38.05	41.99	45.93	50.82	129
-	-	7.28	8.91	10.52	12.12	13.71	15.30	15.78	16.89	20.06	23.22	26.38	27.17	31.12	35.06	39.00	42.95	46.89	51.77	130
-	-	-	-	8.28	9.92	11.54	13.15	13.63	14.75	17.94	21.11	24.28	25.07	29.03	32.98	36.92	40.87	44.81	49.70	131
-	-	-	-	-	-	-	-	-	-	11.25	14.57	17.82	18.62	22.64	26.63	30.60	34.57	38.53	43.44	132
-	6.69	8.31	9.91	11.51	13.10	14.69	16.28	16.75	17.86	21.02	24.18	27.34	28.13	32.08	36.02	39.96	43.90	47.84	52.72	133
6.09	7.71	9.31	10.91	12.50	14.08	15.67	17.25	17.72	18.83	21.99	25.15	28.30	29.09	33.03	36.97	40.91	44.85	48.79	53.68	134
-	-	-	-	-	-	8.87	10.54	11.03	12.18	15.41	18.62	21.81	22.61	26.58	30.54	34.50	38.45	42.40	47.29	135
-	-	-	8.01	9.65	11.26	12.86	14.46	14.94	16.05	19.23	22.40	25.57	26.36	30.31	34.25	38.20	42.14	46.08	50.97	136
-	-	-	-	8.42	10.06	11.68	13.29	13.77	14.89	18.08	21.26	24.43	25.22	29.17	33.13	37.07	41.02	44.96	49.85	137
-	-	7.42	9.05	10.66	12.26	13.86	15.45	15.92	17.04	20.21	23.37	26.53	27.32	31.27	35.21	39.16	43.10	47.04	51.93	138
-	-	-	-	-	-	-	-	-	-	-	-	-	-	17.03	21.14	25.20	29.22	33.23	38.17	139
-	6.82	8.45	10.06	11.66	13.25	14.84	16.42	16.90	18.01	21.17	24.33	27.49	28.28	32.23	36.17	40.11	44.05	47.99	52.88	140
-	-	6.48	8.15	9.78	11.40	13.01	14.60	15.08	16.20	19.38	22.55	25.71	26.50	30.46	34.40	38.35	42.29	46.24	51.12	141
-	-	-	-	8.55	10.19	11.82	13.43	13.91	15.03	18.22	21.40	24.58	25.37	29.32	33.28	37.22	41.17	45.12	50.01	142
6.22	7.85	9.45	11.05	12.64	14.23	15.81	17.40	17.87	18.98	22.14	25.30	28.45	29.24	33.18	37.13	41.07	45.01	48.95	53.83	143
-	-	-	-	-	-	9.13	10.80	11.30	12.45	15.69	18.91	22.10	22.90	26.87	30.84	34.79	38.75	42.70	47.59	144
-	5.89	7.55	9.18	10.80	12.40	14.00	15.59	16.07	17.18	20.35	23.52	26.68	27.47	31.42	35.36	39.31	43.25	47.19	52.08	145
-	-	-	-	-	-	-	-	-	-	11.77	15.10	18.37	19.18	23.20	27.20	31.18	35.16	39.12	44.03	146
-	-	-	7.00	8.68	10.33	11.95	13.57	14.05	15.17	18.37	21.55	24.72	25.51	29.47	33.43	37.37	41.32	45.27	50.16	147
5.29	6.96	8.58	10.20	11.80	13.39	14.98	16.57	17.05	18.16	21.32	24.48	27.64	28.43	32.38	36.32	40.27	44.21	48.15	53.03	148
-	-	6.61	8.28	9.92	11.54	13.15	14.75	15.23	16.34	19.52	22.70	25.86	26.65	30.61	34.55	38.50	42.45	46.39	51.28	149
-	-	-	-	-	-	-	-	-	-	-	-	-	-	17.55	21.69	25.75	29.79	33.80	38.75	150

# QT Power Chain Synchronous 8M

## Drive Selection Tables

Line No.	Drive Ratio	Sprocket Combination				1160 RPM DriveR					1750 RPM DriveR					720	800	880
		DRIVER		DRIVEN		DN RPM	Horsepower				DN RPM	Horsepower						
		Teeth	PD (in)	Teeth	PD (in)		12MM	22MM	35MM	60MM		12MM	22MM	35MM	60MM			
<b>Multiply Horsepower Listed by Length Correction Factor to Find Horsepower Rating →</b>																		
151	2.77	26	2.607	72	7.218	419	4.96	9.10	14.48	24.82	632	7.03	12.88	20.50	35.14	6.01	7.69	9.32
152	2.80	40	4.010	112	11.229	414	8.42	15.43	24.55	42.09	625	11.89	21.81	34.69	59.47	-	-	-
153	2.81	32	3.208	90	9.023	412	6.45	11.82	18.80	32.23	622	9.12	16.72	26.59	45.59	-	-	7.12
154	2.86	28	2.807	80	8.020	406	5.46	10.01	15.92	27.29	612	7.72	14.16	22.53	38.62	-	6.74	8.42
155	2.91	22	2.206	64	6.416	399	3.98	7.29	11.60	19.88	602	5.63	10.32	16.42	28.15	7.09	8.72	10.34
156	2.95	38	3.810	112	11.229	394	7.93	14.53	23.12	39.63	594	11.20	20.54	32.67	56.01	-	-	-
157	3.00	24	2.406	72	7.218	387	4.47	8.20	13.04	22.35	583	6.33	11.60	18.46	31.65	6.14	7.82	9.46
158	3.00	30	3.008	90	9.023	387	5.95	10.91	17.36	29.76	583	8.42	15.44	24.56	42.11	-	-	7.25
159	3.00	48	4.812	144	14.437	387	10.38	19.04	30.29	51.92	583	14.66	26.87	42.74	73.28	-	-	-
160	3.00	64	6.416	192	19.249	387	14.30	26.22	41.72	71.51	583	20.12	36.89	58.68	100.60	-	-	-
161	3.08	26	2.607	80	8.020	377	4.96	9.10	14.48	24.82	569	7.03	12.88	20.50	35.14	-	6.87	8.55
162	3.11	36	3.609	112	11.229	373	7.43	13.63	21.68	37.16	562	10.51	19.26	30.65	52.54	-	-	-
163	3.21	28	2.807	90	9.023	361	5.46	10.01	15.92	27.29	544	7.72	14.16	22.53	38.62	-	-	7.38
164	3.27	22	2.206	72	7.218	354	3.98	7.29	11.60	19.88	535	5.63	10.32	16.42	28.15	6.27	7.95	9.59
165	3.27	44	4.411	144	14.437	354	9.40	17.24	27.42	47.01	535	13.28	24.34	38.72	66.38	-	-	-
166	3.29	34	3.409	112	11.229	352	6.94	12.72	20.24	34.70	531	9.81	17.99	28.62	49.07	-	-	-
167	3.33	24	2.406	80	8.020	348	4.47	8.20	13.04	22.35	525	6.33	11.60	18.46	31.65	-	7.00	8.68
168	3.43	56	5.614	192	19.249	338	12.35	22.64	36.01	61.73	510	17.40	31.90	50.74	86.99	-	-	-
169	3.46	26	2.607	90	9.023	335	4.96	9.10	14.48	24.82	506	7.03	12.88	20.50	35.14	-	-	7.50
170	3.50	32	3.208	112	11.229	331	6.45	11.82	18.80	32.23	500	9.12	16.72	26.59	45.59	-	-	-
171	3.60	40	4.010	144	14.437	322	8.42	15.43	24.55	42.09	486	11.89	21.81	34.69	59.47	-	-	-
172	3.64	22	2.206	80	8.020	319	3.98	7.29	11.60	19.88	481	5.63	10.32	16.42	28.15	-	7.12	8.81
173	3.73	30	3.008	112	11.229	311	5.95	10.91	17.36	29.76	469	8.42	15.44	24.56	42.11	-	-	-
174	3.75	24	2.406	90	9.023	309	4.47	8.20	13.04	22.35	467	6.33	11.60	18.46	31.65	-	-	7.63
175	3.79	38	3.810	144	14.437	306	7.93	14.53	23.12	39.63	462	11.20	20.54	32.67	56.01	-	-	-
176	4.00	28	2.807	112	11.229	290	5.46	10.01	15.92	27.29	438	7.72	14.16	22.53	38.62	-	-	-
177	4.00	36	3.609	144	14.437	290	7.43	13.63	21.68	37.16	438	10.51	19.26	30.65	52.54	-	-	-
178	4.00	48	4.812	192	19.249	290	10.38	19.04	30.29	51.92	438	14.66	26.87	42.74	73.28	-	-	-
179	4.09	22	2.206	90	9.023	284	3.98	7.29	11.60	19.88	428	5.63	10.32	16.42	28.15	-	-	7.75
180	4.24	34	3.409	144	14.437	274	6.94	12.72	20.24	34.70	413	9.81	17.99	28.62	49.07	-	-	-
181	4.31	26	2.607	112	11.229	269	4.96	9.10	14.48	24.82	406	7.03	12.88	20.50	35.14	-	-	-
182	4.36	44	4.411	192	19.249	266	9.40	17.24	27.42	47.01	401	13.28	24.34	38.72	66.38	-	-	-
183	4.50	32	3.208	144	14.437	258	6.45	11.82	18.80	32.23	389	9.12	16.72	26.59	45.59	-	-	-
184	4.67	24	2.406	112	11.229	249	4.47	8.20	13.04	22.35	375	6.33	11.60	18.46	31.65	-	-	-
185	4.80	30	3.008	144	14.437	242	5.95	10.91	17.36	29.76	365	8.42	15.44	24.56	42.11	-	-	-
186	4.80	40	4.010	192	19.249	242	8.42	15.43	24.55	42.09	365	11.89	21.81	34.69	59.47	-	-	-
187	5.05	38	3.810	192	19.249	230	7.93	14.53	23.12	39.63	346	11.20	20.54	32.67	56.01	-	-	-
188	5.09	22	2.206	112	11.229	228	3.98	7.29	11.60	19.88	344	5.63	10.32	16.42	28.15	-	-	-
189	5.14	28	2.807	144	14.437	226	5.46	10.01	15.92	27.29	340	7.72	14.16	22.53	38.62	-	-	-
190	5.33	36	3.609	192	19.249	218	7.43	13.63	21.68	37.16	328	10.51	19.26	30.65	52.54	-	-	-
191	5.54	26	2.607	144	14.437	209	4.96	9.10	14.48	24.82	316	7.03	12.88	20.50	35.14	-	-	-
192	5.65	34	3.409	192	19.249	205	6.94	12.72	20.24	34.70	310	9.81	17.99	28.62	49.07	-	-	-
193	6.00	24	2.406	144	14.437	193	4.47	8.20	13.04	22.35	292	6.33	11.60	18.46	31.65	-	-	-
194	6.00	32	3.208	192	19.249	193	6.45	11.82	18.80	32.23	292	9.12	16.72	26.59	45.59	-	-	-
195	6.40	30	3.008	192	19.249	181	5.95	10.91	17.36	29.76	273	8.42	15.44	24.56	42.11	-	-	-
196	6.55	22	2.206	144	14.437	177	3.98	7.29	11.60	19.88	267	5.63	10.32	16.42	28.15	-	-	-
197	6.86	28	2.807	192	19.249	169	5.46	10.01	15.92	27.29	255	7.72	14.16	22.53	38.62	-	-	-
198	7.38	26	2.607	192	19.249	157	4.96	9.10	14.48	24.82	237	7.03	12.88	20.50	35.14	-	-	-
199	8.00	24	2.406	192	19.249	145	4.47	8.20	13.04	22.35	219	6.33	11.60	18.46	31.65	-	-	-
200	8.73	22	2.206	192	19.249	133	3.98	7.29	11.60	19.88	201	5.63	10.32	16.42	28.15	-	-	-
<b>Multiply Horsepower Listed by Length Correction Factor to Find Horsepower Rating →</b>																		
																<b>0.90</b>	<b>0.90</b>	<b>0.90</b>

# QT Power Chain Synchronous 8M

## Drive Selection Tables

CENTER DISTANCE																			Line No.
BELT LENGTH – Length Correction Factor																			
960	1040	1120	1200	1224	1280	1440	1600	1760	1800	2000	2200	2400	2600	2800	3048	3280	3600	4400	
1.00	1.00	1.00	1.00	1.00	1.10	1.10	1.10	1.10	1.20	1.20	1.20	1.20	1.20	1.20	1.20	1.20	1.20	1.20	
10.94	12.54	14.14	15.74	16.21	17.33	20.50	23.67	26.83	27.62	31.57	35.52	39.46	43.40	47.35	52.23	56.80	63.11	78.86	151
-	-	9.38	11.06	11.56	12.72	15.97	19.19	22.39	23.18	27.16	31.13	35.09	39.05	43.00	47.90	52.47	58.79	74.56	152
8.81	10.46	12.09	13.71	14.19	15.31	18.51	21.69	24.87	25.66	29.62	33.57	37.53	41.47	45.42	50.31	54.88	61.19	76.95	153
10.06	11.68	13.29	14.89	15.37	16.49	19.67	22.84	26.01	26.80	30.76	34.71	38.65	42.60	46.54	51.43	56.00	62.31	78.07	154
11.94	13.54	15.13	16.72	17.19	18.30	21.47	24.63	27.79	28.58	32.53	36.47	40.42	44.36	48.30	53.19	57.76	64.06	79.81	155
-	-	9.51	11.20	11.70	12.85	16.11	19.33	22.53	23.33	27.31	31.28	35.24	39.19	43.15	48.05	52.63	58.94	74.71	156
11.08	12.69	14.29	15.88	16.36	17.47	20.65	23.82	26.98	27.77	31.72	35.67	39.61	43.56	47.50	52.39	56.96	63.26	79.02	157
8.94	10.60	12.23	13.85	14.33	15.46	18.66	21.84	25.02	25.81	29.77	33.72	37.68	41.62	45.57	50.46	55.04	61.34	77.11	158
-	-	-	-	-	-	12.29	15.64	18.92	19.73	23.76	27.77	31.76	35.74	39.71	44.62	49.21	55.54	71.33	159
-	-	-	-	-	-	-	-	-	13.78	18.07	22.22	26.30	30.35	34.36	39.32	43.94	50.30	66.15	160
10.19	11.82	13.43	15.03	15.51	16.63	19.82	22.99	26.16	26.95	30.91	34.86	38.80	42.75	46.69	51.58	56.16	62.46	78.22	161
-	-	9.64	11.33	11.83	12.98	16.25	19.47	22.67	23.47	27.45	31.42	35.39	39.34	43.30	48.20	52.78	59.09	74.86	162
9.07	10.73	12.37	13.99	14.47	15.60	18.80	21.99	25.16	25.96	29.92	33.87	37.83	41.77	45.72	50.61	55.19	61.50	77.26	163
11.22	12.83	14.43	16.02	16.50	17.62	20.79	23.96	27.13	27.92	31.87	35.82	39.76	43.71	47.65	52.54	57.11	63.42	79.17	164
-	-	-	-	-	-	12.54	15.90	19.19	20.00	24.04	28.06	32.05	36.03	40.00	44.92	49.51	55.84	71.64	165
-	-	9.77	11.46	11.96	13.12	16.38	19.61	22.81	23.61	27.60	31.57	35.53	39.49	43.45	48.35	52.93	59.24	75.02	166
10.33	11.95	13.57	15.17	15.65	16.77	19.96	23.14	26.31	27.10	31.05	35.01	38.95	42.90	46.85	51.73	56.31	62.61	78.37	167
-	-	-	-	-	-	-	-	13.38	14.28	18.59	22.76	26.85	30.90	34.93	39.89	44.52	50.88	66.74	168
9.20	10.86	12.50	14.12	14.61	15.74	18.94	22.13	25.31	26.10	30.07	34.02	37.97	41.92	45.87	50.76	55.34	61.65	77.41	169
-	8.15	9.90	11.59	12.09	13.25	16.52	19.75	22.96	23.76	27.74	31.71	35.68	39.64	43.60	48.50	53.08	59.39	75.17	170
-	-	-	-	-	-	12.80	16.17	19.46	20.27	24.32	28.34	32.34	36.32	40.29	45.21	49.81	56.14	71.94	171
10.46	12.09	13.71	15.31	15.80	16.92	20.10	23.28	26.45	27.25	31.20	35.16	39.10	43.05	47.00	51.89	56.46	62.77	78.53	172
-	8.27	10.02	11.72	12.22	13.38	16.66	19.89	23.10	23.90	27.89	31.86	35.83	39.79	43.74	48.65	53.23	59.54	75.32	173
9.33	11.00	12.64	14.26	14.75	15.88	19.08	22.27	25.45	26.25	30.21	34.17	38.12	42.07	46.02	50.92	55.49	61.80	77.57	174
-	-	-	-	-	-	12.92	16.30	19.59	20.41	24.46	28.48	32.48	36.46	40.44	45.36	49.95	56.28	72.09	175
-	8.39	10.15	11.85	12.35	13.52	16.79	20.03	23.24	24.04	28.03	32.01	35.97	39.94	43.89	48.79	53.38	59.69	75.47	176
-	-	-	-	-	-	13.05	16.43	19.73	20.55	24.60	28.62	32.62	36.61	40.58	45.50	50.10	56.43	72.24	177
-	-	-	-	-	-	-	-	13.87	14.77	19.11	23.29	27.40	31.46	35.49	40.46	45.09	51.46	67.33	178
9.46	11.13	12.77	14.40	14.89	16.02	19.23	22.42	25.60	26.39	30.36	34.32	38.27	42.22	46.17	51.07	55.64	61.95	77.72	179
-	-	-	-	-	-	13.18	16.56	19.86	20.68	24.74	28.76	32.76	36.75	40.73	45.65	50.25	56.58	72.39	180
-	8.51	10.28	11.98	12.48	13.65	16.93	20.17	23.38	24.18	28.17	32.15	36.12	40.08	44.04	48.94	53.53	59.84	75.63	181
-	-	-	-	-	-	-	-	14.11	15.02	19.37	23.56	27.67	31.73	35.77	40.74	45.38	51.75	67.62	182
-	-	-	-	-	9.72	13.30	16.69	20.00	20.82	24.88	28.90	32.91	36.90	40.87	45.80	50.40	56.73	72.54	183
-	8.64	10.40	12.11	12.61	13.78	17.07	20.31	23.52	24.32	28.32	32.30	36.27	40.23	44.19	49.09	53.68	60.00	75.78	184
-	-	-	-	-	9.84	13.43	16.82	20.13	20.95	25.02	29.04	33.05	37.04	41.02	45.94	50.54	56.88	72.69	185
-	-	-	-	-	-	-	-	14.36	15.26	19.62	23.82	27.94	32.01	36.05	41.02	45.66	52.04	67.92	186
-	-	-	-	-	-	-	-	14.48	15.39	19.75	23.95	28.07	32.14	36.18	41.17	45.81	52.18	68.07	187
-	8.76	10.53	12.24	12.74	13.91	17.20	20.45	23.66	24.47	28.46	32.44	36.41	40.38	44.34	49.24	53.83	60.15	75.93	188
-	-	-	-	-	9.96	13.56	16.96	20.27	21.09	25.15	29.18	33.19	37.18	41.16	46.09	50.69	57.03	72.84	189
-	-	-	-	-	-	-	-	14.60	15.51	19.88	24.08	28.21	32.28	36.32	41.31	45.95	52.33	68.21	190
-	-	-	-	-	10.07	13.68	17.09	20.40	21.22	25.29	29.32	33.33	37.33	41.31	46.24	50.84	57.17	72.99	191
-	-	-	-	-	-	-	-	14.72	15.63	20.01	24.22	28.34	32.42	36.46	41.45	46.09	52.47	68.36	192
-	-	-	-	-	10.19	13.81	17.22	20.54	21.36	25.43	29.46	33.48	37.47	41.45	46.38	50.98	57.32	73.14	193
-	-	-	-	-	-	-	-	14.84	15.75	20.13	24.35	28.48	32.56	36.60	41.59	46.23	52.62	68.51	194
-	-	-	-	-	-	-	-	14.96	15.88	20.26	24.48	28.61	32.69	36.74	41.73	46.38	52.76	68.65	195
-	-	-	-	-	10.31	13.93	17.35	20.67	21.49	25.57	29.60	33.62	37.61	41.60	46.53	51.13	57.47	73.29	196
-	-	-	-	-	-	-	-	15.08	16.00	20.39	24.61	28.75	32.83	36.88	41.87	46.52	52.90	68.80	197
-	-	-	-	-	-	-	-	15.20	16.12	20.52	24.74	28.88	32.97	37.02	42.01	46.66	53.05	68.95	198
-	-	-	-	-	-	-	-	15.32	16.24	20.64	24.87	29.01	33.10	37.16	42.15	46.80	53.19	69.09	199
-	-	-	-	-	-	-	11.48	15.44	16.36	20.77	25.00	29.15	33.24	37.29	42.29	46.94	53.33	69.24	200
1.00	1.00	1.00	1.00	1.00	1.10	1.10	1.10	1.10	1.20	1.20	1.20	1.20	1.20	1.20	1.20	1.20	1.20	1.20	

# QT Power Chain Synchronous 14M

## Drive Selection Tables

Line No.	Drive Ratio	Sprocket Combination				1160 RPM DriveR					1750 RPM DriveR						
		DRIVER		DRIVEN		DN RPM	Horsepower					DN RPM	Horsepower				
		Teeth	PD (in)	Teeth	PD (in)		20MM	42MM	65MM	90MM	120MM		20MM	42MM	65MM	90MM	120MM
<b>Multiply Horsepower Listed by Length Correction Factor to Find Horsepower Rating --&gt;</b>																	
1	1.00	28	4.913	28	4.913	1160	28.6	60.1	93.1	128.9	171.8	1750	40.3	84.7	131.1	181.5	242.0
2	1.00	29	5.088	29	5.088	1160	29.8	62.5	96.8	134.0	178.7	1750	41.9	88.0	136.3	188.7	251.6
3	1.00	30	5.263	30	5.263	1160	30.9	64.9	100.5	139.1	185.5	1750	43.5	91.4	141.4	195.8	261.1
4	1.00	32	5.614	32	5.614	1160	33.2	69.7	107.9	149.4	199.2	1750	46.7	98.1	151.8	210.1	280.2
5	1.00	34	5.965	34	5.965	1160	35.5	74.5	115.3	159.6	212.9	1750	49.9	104.7	162.1	224.4	299.2
6	1.00	36	6.316	36	6.316	1160	37.8	79.3	122.7	169.9	226.5	1750	53.0	111.3	172.3	238.6	318.1
7	1.00	38	6.667	38	6.667	1160	40.0	84.0	130.1	180.1	240.1	1750	56.2	117.9	182.5	252.7	337.0
8	1.00	40	7.018	40	7.018	1160	42.3	88.8	137.4	190.3	253.7	1750	59.3	124.5	192.7	266.8	355.7
9	1.00	44	7.720	44	7.720	1160	46.8	98.3	152.1	210.6	280.8	1750	65.5	137.6	212.9	294.8	393.0
10	1.00	48	8.421	48	8.421	1160	51.3	107.8	166.8	230.9	307.9	1750	71.7	150.5	232.9	322.4	429.9
11	1.00	52	9.123	52	9.123	1160	55.8	117.2	181.3	251.1	334.7	1750	77.7	163.3	252.6	349.8	466.4
12	1.00	56	9.825	56	9.825	1160	60.3	126.5	195.8	271.1	361.5	1750	83.8	175.9	272.2	376.9	502.5
13	1.00	60	10.527	60	10.527	1160	64.7	135.9	210.2	291.1	388.1	1750	89.7	188.3	291.5	403.6	538.1
14	1.00	64	11.229	64	11.229	1160	69.1	145.1	224.6	311.0	414.6	1750	95.5	200.6	310.5	429.9	573.2
15	1.00	68	11.930	68	11.930	1160	73.5	154.3	238.9	330.7	441.0	1750	101.3	212.7	329.2	455.8	607.7
16	1.00	72	12.632	72	12.632	1160	77.9	163.5	253.0	350.3	467.1	1750	107.0	224.6	347.6	481.3	641.7
17	1.00	80	14.036	80	14.036	1160	86.5	181.6	281.1	389.2	518.9	1750	118.0	247.7	383.4	530.8	707.8
18	1.03	29	5.088	30	5.263	1121	29.8	62.5	96.8	134.0	178.7	1692	41.9	88.0	136.3	188.7	251.6
19	1.04	28	4.913	29	5.088	1120	28.6	60.1	93.1	128.9	171.8	1690	40.3	84.7	131.1	181.5	242.0
20	1.05	38	6.667	40	7.018	1102	40.0	84.0	130.1	180.1	240.1	1662	56.2	117.9	182.5	252.7	337.0
21	1.06	36	6.316	38	6.667	1099	37.8	79.3	122.7	169.9	226.5	1658	53.0	111.3	172.3	238.6	318.1
22	1.06	34	5.965	36	6.316	1096	35.5	74.5	115.3	159.6	212.9	1653	49.9	104.7	162.1	224.4	299.2
23	1.06	68	11.930	72	12.632	1096	73.5	154.3	238.9	330.7	441.0	1653	101.3	212.7	329.2	455.8	607.7
24	1.06	32	5.614	34	5.965	1092	33.2	69.7	107.9	149.4	199.2	1647	46.7	98.1	151.8	210.1	280.2
25	1.06	64	11.229	68	11.930	1092	69.1	145.1	224.6	311.0	414.6	1647	95.5	200.6	310.5	429.9	573.2
26	1.07	30	5.263	32	5.614	1088	30.9	64.9	100.5	139.1	185.5	1641	43.5	91.4	141.4	195.8	261.1
27	1.07	60	10.527	64	11.229	1088	64.7	135.9	210.2	291.1	388.1	1641	89.7	188.3	291.5	403.6	538.1
28	1.07	28	4.913	30	5.263	1083	28.6	60.1	93.1	128.9	171.8	1633	40.3	84.7	131.1	181.5	242.0
29	1.07	56	9.825	60	10.527	1083	60.3	126.5	195.8	271.1	361.5	1633	83.8	175.9	272.2	376.9	502.5
30	1.08	52	9.123	56	9.825	1077	55.8	117.2	181.3	251.1	334.7	1625	77.7	163.3	252.6	349.8	466.4
31	1.08	48	8.421	52	9.123	1071	51.3	107.8	166.8	230.9	307.9	1615	71.7	150.5	232.9	322.4	429.9
32	1.09	44	7.720	48	8.421	1063	46.8	98.3	152.1	210.6	280.8	1604	65.5	137.6	212.9	294.8	393.0
33	1.10	40	7.018	44	7.720	1055	42.3	88.8	137.4	190.3	253.7	1591	59.3	124.5	192.7	266.8	355.7
34	1.10	29	5.088	32	5.614	1051	29.8	62.5	96.8	134.0	178.7	1586	41.9	88.0	136.3	188.7	251.6
35	1.11	36	6.316	40	7.018	1044	37.8	79.3	122.7	169.9	226.5	1575	53.0	111.3	172.3	238.6	318.1
36	1.11	72	12.632	80	14.036	1044	77.9	163.5	253.0	350.3	467.1	1575	107.0	224.6	347.6	481.3	641.7
37	1.12	34	5.965	38	6.667	1038	35.5	74.5	115.3	159.6	212.9	1566	49.9	104.7	162.1	224.4	299.2
38	1.13	32	5.614	36	6.316	1031	33.2	69.7	107.9	149.4	199.2	1556	46.7	98.1	151.8	210.1	280.2
39	1.13	64	11.229	72	12.632	1031	69.1	145.1	224.6	311.0	414.6	1556	95.5	200.6	310.5	429.9	573.2
40	1.13	80	14.036	90	15.790	1031	86.5	181.6	281.1	389.2	518.9	1556	118.0	247.7	383.4	530.8	707.8
41	1.13	30	5.263	34	5.965	1024	30.9	64.9	100.5	139.1	185.5	1544	43.5	91.4	141.4	195.8	261.1
42	1.13	60	10.527	68	11.930	1024	64.7	135.9	210.2	291.1	388.1	1544	89.7	188.3	291.5	403.6	538.1
43	1.14	28	4.913	32	5.614	1015	28.6	60.1	93.1	128.9	171.8	1531	40.3	84.7	131.1	181.5	242.0
44	1.14	56	9.825	64	11.229	1015	60.3	126.5	195.8	271.1	361.5	1531	83.8	175.9	272.2	376.9	502.5
45	1.15	52	9.123	60	10.527	1005	55.8	117.2	181.3	251.1	334.7	1517	77.7	163.3	252.6	349.8	466.4
46	1.16	38	6.667	44	7.720	1002	40.0	84.0	130.1	180.1	240.1	1511	56.2	117.9	182.5	252.7	337.0
47	1.17	48	8.421	56	9.825	994	51.3	107.8	166.8	230.9	307.9	1500	71.7	150.5	232.9	322.4	429.9
48	1.17	29	5.088	34	5.965	989	29.8	62.5	96.8	134.0	178.7	1493	41.9	88.0	136.3	188.7	251.6
49	1.18	34	5.965	40	7.018	986	35.5	74.5	115.3	159.6	212.9	1488	49.9	104.7	162.1	224.4	299.2
50	1.18	68	11.930	80	14.036	986	73.5	154.3	238.9	330.7	441.0	1488	101.3	212.7	329.2	455.8	607.7
51	1.18	44	7.720	52	9.123	982	46.8	98.3	152.1	210.6	280.8	1481	65.5	137.6	212.9	294.8	393.0
<b>Multiply Horsepower Listed by Length Correction Factor to Find Horsepower Rating --&gt;</b>																	

# QT Power Chain Synchronous 14M

## Drive Selection Tables

CENTER DISTANCE																		Line No.
BELT LENGTH - Length Correction Factor																		
966	1190	1400	1610	1778	1890	2100	2310	2450	2590	2800	3150	3360	3500	3850	4326	4578	4956	
0.80	0.80	0.90	0.90	0.95	0.95	1.00	1.00	1.00	1.05	1.05	1.05	1.10	1.10	1.10	1.10	1.10	1.10	
11.30	15.71	19.84	23.98	27.28	29.49	33.62	37.76	40.51	43.27	47.40	54.29	58.43	61.18	68.07	77.44	82.40	89.84	1
11.02	15.43	19.57	23.70	27.01	29.21	33.35	37.48	40.24	42.99	47.13	54.02	58.15	60.91	67.80	77.17	82.13	89.57	2
10.75	15.16	19.29	23.43	26.73	28.94	33.07	37.20	39.96	42.72	46.85	53.74	57.87	60.63	67.52	76.89	81.85	89.29	3
10.20	14.61	18.74	22.87	26.18	28.39	32.52	36.65	39.41	42.17	46.30	53.19	57.32	60.08	66.97	76.34	81.30	88.74	4
9.65	14.06	18.19	22.32	25.63	27.83	31.97	36.10	38.86	41.61	45.75	52.64	56.77	59.53	66.42	75.79	80.75	88.19	5
9.09	13.50	17.64	21.77	25.08	27.28	31.42	35.55	38.31	41.06	45.20	52.09	56.22	58.98	65.87	75.24	80.20	87.64	6
8.54	12.95	17.09	21.22	24.53	26.73	30.87	35.00	37.76	40.51	44.65	51.54	55.67	58.43	65.31	74.69	79.65	87.09	7
-	12.40	16.54	20.67	23.98	26.18	30.31	34.45	37.20	39.96	44.09	50.98	55.12	57.87	64.76	74.13	79.09	86.54	8
-	11.30	15.43	19.57	22.87	25.08	29.21	33.35	36.10	38.86	42.99	49.88	54.02	56.77	63.66	73.03	77.99	85.43	9
-	10.20	14.33	18.46	21.77	23.98	28.11	32.24	35.00	37.76	41.89	48.78	52.91	55.67	62.56	71.93	76.89	84.33	10
-	-	13.23	17.36	20.67	22.87	27.01	31.14	33.90	36.65	40.79	47.68	51.81	54.57	61.46	70.83	75.79	83.23	11
-	-	12.13	16.26	19.57	21.77	25.91	30.04	32.80	35.55	39.68	46.57	50.71	53.46	60.35	69.72	74.68	82.13	12
-	-	-	15.16	18.46	20.67	24.80	28.94	31.69	34.45	38.58	45.47	49.61	52.36	59.25	68.62	73.58	81.02	13
-	-	-	14.06	17.36	19.57	23.70	27.83	30.59	33.35	37.48	44.37	48.50	51.26	58.15	67.52	72.48	79.92	14
-	-	-	-	16.26	18.46	22.60	26.73	29.49	32.24	36.38	43.27	47.40	50.16	57.05	66.42	71.38	78.82	15
-	-	-	-	15.16	17.36	21.50	25.63	28.39	31.14	35.28	42.17	46.30	49.06	55.94	65.31	70.28	77.72	16
-	-	-	-	-	-	19.29	23.43	26.18	28.94	33.07	39.96	44.09	46.85	53.74	63.11	68.07	75.51	17
10.89	15.29	19.43	23.56	26.87	29.07	33.21	37.34	40.10	42.85	46.99	53.88	58.01	60.77	67.66	77.03	81.99	89.43	18
11.16	15.57	19.70	23.84	27.15	29.35	33.48	37.62	40.37	43.13	47.26	54.15	58.29	61.04	67.93	77.30	82.26	89.70	19
8.27	12.68	16.81	20.94	24.25	26.46	30.59	34.72	37.48	40.24	44.37	51.26	55.39	58.15	65.04	74.41	79.37	86.81	20
8.82	13.23	17.36	21.50	24.80	27.01	31.14	35.28	38.03	40.79	44.92	51.81	55.94	58.70	65.59	74.96	79.92	87.36	21
9.37	13.78	17.91	22.05	25.35	27.56	31.69	35.83	38.58	41.34	45.47	52.36	56.50	59.25	66.14	75.51	80.47	87.91	22
-	-	-	-	15.70	17.91	22.04	26.18	28.93	31.69	35.82	42.72	46.85	49.60	56.49	65.87	70.83	78.27	23
9.92	14.33	18.46	22.60	25.90	28.11	32.24	36.38	39.13	41.89	46.02	52.91	57.05	59.80	66.69	76.06	81.02	88.46	24
-	-	-	13.50	16.81	19.01	23.15	27.28	30.04	32.79	36.93	43.82	47.95	50.71	57.60	66.97	71.93	79.37	25
10.47	14.88	19.01	23.15	26.46	28.66	32.79	36.93	39.68	42.44	46.57	53.46	57.60	60.35	67.24	76.61	81.57	89.02	26
-	-	-	14.60	17.91	20.11	24.25	28.38	31.14	33.90	38.03	44.92	49.05	51.81	58.70	68.07	73.03	80.47	27
11.02	15.43	19.57	23.70	27.01	29.21	33.35	37.48	40.24	42.99	47.13	54.02	58.15	60.91	67.80	77.17	82.13	89.57	28
-	-	11.57	15.70	19.01	21.22	25.35	29.49	32.24	35.00	39.13	46.02	50.16	52.91	59.80	69.17	74.13	81.57	29
-	-	12.67	16.81	20.12	22.32	26.45	30.59	33.34	36.10	40.23	47.12	51.26	54.01	60.90	70.27	75.24	82.68	30
-	-	13.78	17.91	21.22	23.42	27.56	31.69	34.45	37.20	41.34	48.23	52.36	55.12	62.01	71.38	76.34	83.78	31
-	10.74	14.88	19.01	22.32	24.53	28.66	32.79	35.55	38.31	42.44	49.33	53.46	56.22	63.11	72.48	77.44	84.88	32
-	11.85	15.98	20.12	23.42	25.63	29.76	33.90	36.65	39.41	43.54	50.43	54.57	57.32	64.21	73.58	78.54	85.98	33
10.61	15.02	19.15	23.29	26.59	28.80	32.93	37.07	39.82	42.58	46.71	53.60	57.74	60.49	67.38	76.75	81.71	89.15	34
8.54	12.95	17.08	21.22	24.53	26.73	30.86	35.00	37.75	40.51	44.64	51.53	55.67	58.42	65.31	74.68	79.64	87.09	35
-	-	-	-	-	16.24	20.38	24.52	27.27	30.03	34.17	41.06	45.19	47.95	54.84	64.21	69.17	76.61	36
9.09	13.50	17.63	21.77	25.08	27.28	31.42	35.55	38.31	41.06	45.20	52.09	56.22	58.98	65.87	75.24	80.20	87.64	37
9.64	14.05	18.19	22.32	25.63	27.83	31.97	36.10	38.86	41.61	45.75	52.64	56.77	59.53	66.42	75.79	80.75	88.19	38
-	-	-	-	16.24	18.45	22.59	26.72	29.48	32.24	36.37	43.26	47.40	50.15	57.04	66.41	71.37	78.82	39
-	-	-	-	-	-	17.89	22.03	24.79	27.55	31.68	38.57	42.71	45.46	52.35	61.73	66.69	74.13	40
10.19	14.60	18.74	22.87	26.18	28.38	32.52	36.65	39.41	42.16	46.30	53.19	57.32	60.08	66.97	76.34	81.30	88.74	41
-	-	-	14.04	17.35	19.55	23.69	27.83	30.58	33.34	37.47	44.36	48.50	51.25	58.15	67.52	72.48	79.92	42
10.74	15.15	19.29	23.42	26.73	28.93	33.07	37.20	39.96	42.72	46.85	53.74	57.87	60.63	67.52	76.89	81.85	89.29	43
-	-	-	15.14	18.45	20.66	24.79	28.93	31.69	34.44	38.58	45.47	49.60	52.36	59.25	68.62	73.58	81.02	44
-	-	12.11	16.24	19.55	21.76	25.90	30.03	32.79	35.54	39.68	46.57	50.70	53.46	60.35	69.72	74.68	82.12	45
-	12.11	16.25	20.39	23.69	25.90	30.03	34.17	36.93	39.68	43.82	50.71	54.84	57.60	64.49	73.86	78.82	86.26	46
-	-	13.21	17.35	20.66	22.86	27.00	31.13	33.89	36.65	40.78	47.67	51.81	54.56	61.45	70.82	75.78	83.23	47
10.33	14.74	18.87	23.01	26.32	28.52	32.65	36.79	39.54	42.30	46.43	53.32	57.46	60.21	67.10	76.48	81.44	88.88	48
8.80	13.22	17.35	21.49	24.80	27.00	31.14	35.27	38.03	40.78	44.92	51.81	55.94	58.70	65.59	74.96	79.92	87.36	49
-	-	-	-	14.57	16.78	20.92	25.06	27.81	30.57	34.71	41.60	45.74	48.49	55.38	64.76	69.72	77.16	50
-	10.17	14.31	18.45	21.76	23.97	28.10	32.24	34.99	37.75	41.88	48.77	52.91	55.66	62.56	71.93	76.89	84.33	51
0.80	0.80	0.90	0.90	0.95	0.95	1.00	1.00	1.00	1.05	1.05	1.05	1.10	1.10	1.10	1.10	1.10	1.10	



# QT Power Chain Synchronous 14M

## Drive Selection Tables

Line No.	Drive Ratio	Sprocket Combination				1160 RPM DriveR					1750 RPM DriveR						
		DRIVER		DRIVEN		DN RPM	Horsepower					DN RPM	Horsepower				
		Teeth	PD (in)	Teeth	PD (in)		20MM	42MM	65MM	90MM	120MM		20MM	42MM	65MM	90MM	120MM
<b>Multiply Horsepower Listed by Length Correction Factor to Find Horsepower Rating --&gt;</b>																	
52	1.19	32	5.614	38	6.667	977	33.2	69.7	107.9	149.4	199.2	1474	46.7	98.1	151.8	210.1	280.2
53	1.20	30	5.263	36	6.316	967	30.9	64.9	100.5	139.1	185.5	1458	43.5	91.4	141.4	195.8	261.1
54	1.20	40	7.018	48	8.421	967	42.3	88.8	137.4	190.3	253.7	1458	59.3	124.5	192.7	266.8	355.7
55	1.20	60	10.527	72	12.632	967	64.7	135.9	210.2	291.1	388.1	1458	89.7	188.3	291.5	403.6	538.1
56	1.21	28	4.913	34	5.965	955	28.6	60.1	93.1	128.9	171.8	1441	40.3	84.7	131.1	181.5	242.0
57	1.21	56	9.825	68	11.930	955	60.3	126.5	195.8	271.1	361.5	1441	83.8	175.9	272.2	376.9	502.5
58	1.22	36	6.316	44	7.720	949	37.8	79.3	122.7	169.9	226.5	1432	53.0	111.3	172.3	238.6	318.1
59	1.23	52	9.123	64	11.229	942	55.8	117.2	181.3	251.1	334.7	1422	77.7	163.3	252.6	349.8	466.4
60	1.24	29	5.088	36	6.316	934	29.8	62.5	96.8	134.0	178.7	1410	41.9	88.0	136.3	188.7	251.6
61	1.25	32	5.614	40	7.018	928	33.2	69.7	107.9	149.4	199.2	1400	46.7	98.1	151.8	210.1	280.2
62	1.25	48	8.421	60	10.527	928	51.3	107.8	166.8	230.9	307.9	1400	71.7	150.5	232.9	322.4	429.9
63	1.25	64	11.229	80	14.036	928	69.1	145.1	224.6	311.0	414.6	1400	95.5	200.6	310.5	429.9	573.2
64	1.25	72	12.632	90	15.790	928	77.9	163.5	253.0	350.3	467.1	1400	107.0	224.6	347.6	481.3	641.7
65	1.26	38	6.667	48	8.421	918	40.0	84.0	130.1	180.1	240.1	1385	56.2	117.9	182.5	252.7	337.0
66	1.27	30	5.263	38	6.667	916	30.9	64.9	100.5	139.1	185.5	1382	43.5	91.4	141.4	195.8	261.1
67	1.27	44	7.720	56	9.825	911	46.8	98.3	152.1	210.6	280.8	1375	65.5	137.6	212.9	294.8	393.0
68	1.29	28	4.913	36	6.316	902	28.6	60.1	93.1	128.9	171.8	1361	40.3	84.7	131.1	181.5	242.0
69	1.29	56	9.825	72	12.632	902	60.3	126.5	195.8	271.1	361.5	1361	83.8	175.9	272.2	376.9	502.5
70	1.29	34	5.965	44	7.720	896	35.5	74.5	115.3	159.6	212.9	1352	49.9	104.7	162.1	224.4	299.2
71	1.30	40	7.018	52	9.123	892	42.3	88.8	137.4	190.3	253.7	1346	59.3	124.5	192.7	266.8	355.7
72	1.31	52	9.123	68	11.930	887	55.8	117.2	181.3	251.1	334.7	1338	77.7	163.3	252.6	349.8	466.4
73	1.31	29	5.088	38	6.667	885	29.8	62.5	96.8	134.0	178.7	1336	41.9	88.0	136.3	188.7	251.6
74	1.32	68	11.930	90	15.790	876	73.5	154.3	238.9	330.7	441.0	1322	101.3	212.7	329.2	455.8	607.7
75	1.33	30	5.263	40	7.018	870	30.9	64.9	100.5	139.1	185.5	1312	43.5	91.4	141.4	195.8	261.1
76	1.33	36	6.316	48	8.421	870	37.8	79.3	122.7	169.9	226.5	1312	53.0	111.3	172.3	238.6	318.1
77	1.33	48	8.421	64	11.229	870	51.3	107.8	166.8	230.9	307.9	1312	71.7	150.5	232.9	322.4	429.9
78	1.33	60	10.527	80	14.036	870	64.7	135.9	210.2	291.1	388.1	1312	89.7	188.3	291.5	403.6	538.1
79	1.36	28	4.913	38	6.667	855	28.6	60.1	93.1	128.9	171.8	1289	40.3	84.7	131.1	181.5	242.0
80	1.36	44	7.720	60	10.527	851	46.8	98.3	152.1	210.6	280.8	1283	65.5	137.6	212.9	294.8	393.0
81	1.37	38	6.667	52	9.123	848	40.0	84.0	130.1	180.1	240.1	1279	56.2	117.9	182.5	252.7	337.0
82	1.38	32	5.614	44	7.720	844	33.2	69.7	107.9	149.4	199.2	1273	46.7	98.1	151.8	210.1	280.2
83	1.38	29	5.088	40	7.018	841	29.8	62.5	96.8	134.0	178.7	1269	41.9	88.0	136.3	188.7	251.6
84	1.38	52	9.123	72	12.632	838	55.8	117.2	181.3	251.1	334.7	1264	77.7	163.3	252.6	349.8	466.4
85	1.40	40	7.018	56	9.825	829	42.3	88.8	137.4	190.3	253.7	1250	59.3	124.5	192.7	266.8	355.7
86	1.40	80	14.036	112	19.650	829	86.5	181.6	281.1	389.2	518.9	1250	118.0	247.7	383.4	530.8	707.8
87	1.41	64	11.229	90	15.790	825	69.1	145.1	224.6	311.0	414.6	1244	95.5	200.6	310.5	429.9	573.2
88	1.41	34	5.965	48	8.421	822	35.5	74.5	115.3	159.6	212.9	1240	49.9	104.7	162.1	224.4	299.2
89	1.42	48	8.421	68	11.930	819	51.3	107.8	166.8	230.9	307.9	1235	71.7	150.5	232.9	322.4	429.9
90	1.43	28	4.913	40	7.018	812	28.6	60.1	93.1	128.9	171.8	1225	40.3	84.7	131.1	181.5	242.0
91	1.43	56	9.825	80	14.036	812	60.3	126.5	195.8	271.1	361.5	1225	83.8	175.9	272.2	376.9	502.5
92	1.44	36	6.316	52	9.123	803	37.8	79.3	122.7	169.9	226.5	1212	53.0	111.3	172.3	238.6	318.1
93	1.45	44	7.720	64	11.229	798	46.8	98.3	152.1	210.6	280.8	1203	65.5	137.6	212.9	294.8	393.0
94	1.47	30	5.263	44	7.720	791	30.9	64.9	100.5	139.1	185.5	1193	43.5	91.4	141.4	195.8	261.1
95	1.47	38	6.667	56	9.825	787	40.0	84.0	130.1	180.1	240.1	1188	56.2	117.9	182.5	252.7	337.0
96	1.50	32	5.614	48	8.421	773	33.2	69.7	107.9	149.4	199.2	1167	46.7	98.1	151.8	210.1	280.2
97	1.50	40	7.018	60	10.527	773	42.3	88.8	137.4	190.3	253.7	1167	59.3	124.5	192.7	266.8	355.7
98	1.50	48	8.421	72	12.632	773	51.3	107.8	166.8	230.9	307.9	1167	71.7	150.5	232.9	322.4	429.9
99	1.50	60	10.527	90	15.790	773	64.7	135.9	210.2	291.1	388.1	1167	89.7	188.3	291.5	403.6	538.1
100	1.52	29	5.088	44	7.720	765	29.8	62.5	96.8	134.0	178.7	1153	41.9	88.0	136.3	188.7	251.6
101	1.53	34	5.965	52	9.123	758	35.5	74.5	115.3	159.6	212.9	1144	49.9	104.7	162.1	224.4	299.2
102	1.54	52	9.123	80	14.036	754	55.8	117.2	181.3	251.1	334.7	1138	77.7	163.3	252.6	349.8	466.4
<b>Multiply Horsepower Listed by Length Correction Factor to Find Horsepower Rating --&gt;</b>																	

# QT Power Chain Synchronous 14M

## Drive Selection Tables

CENTER DISTANCE																	Line No.	
BELT LENGTH - Length Correction Factor																		
966	1190	1400	1610	1778	1890	2100	2310	2450	2590	2800	3150	3360	3500	3850	4326	4578		4956
0.80	0.80	0.90	0.90	0.95	0.95	1.00	1.00	1.00	1.05	1.05	1.05	1.10	1.10	1.10	1.10	1.10	1.10	
9.36	13.77	17.91	22.04	25.35	27.55	31.69	35.82	38.58	41.34	45.47	52.36	56.49	59.25	66.14	75.51	80.47	87.91	52
9.91	14.32	18.46	22.59	25.90	28.11	32.24	36.37	39.13	41.89	46.02	52.91	57.04	59.80	66.69	76.06	81.02	88.46	53
-	11.28	15.42	19.55	22.86	25.07	29.20	33.34	36.10	38.85	42.99	49.88	54.01	56.77	63.66	73.03	77.99	85.43	54
-	-	-	13.46	16.78	18.99	23.13	27.26	30.02	32.78	36.91	43.81	47.94	50.70	57.59	66.96	71.92	79.36	55
10.46	14.87	19.01	23.14	26.45	28.66	32.79	36.93	39.68	42.44	46.57	53.46	57.60	60.35	67.24	76.61	81.57	89.01	56
-	-	-	14.57	17.88	20.09	24.23	28.37	31.12	33.88	38.02	44.91	49.04	51.80	58.69	68.06	73.02	80.47	57
-	12.38	16.52	20.66	23.97	26.17	30.31	34.44	37.20	39.95	44.09	50.98	55.11	57.87	64.76	74.13	79.09	86.53	58
-	-	11.53	15.67	18.99	21.19	25.33	29.47	32.23	34.98	39.12	46.01	50.15	52.90	59.79	69.17	74.13	81.57	59
10.04	14.46	18.59	22.73	26.04	28.24	32.38	36.51	39.27	42.02	46.16	53.05	57.18	59.94	66.83	76.20	81.16	88.60	60
9.07	13.49	17.62	21.76	25.07	27.27	31.41	35.54	38.30	41.06	45.19	52.08	56.22	58.97	65.86	75.23	80.19	87.63	61
-	-	12.63	16.78	20.09	22.30	26.44	30.57	33.33	36.09	40.22	47.11	51.25	54.01	60.90	70.27	75.23	82.67	62
-	-	-	-	15.09	17.31	21.45	25.59	28.35	31.11	35.25	42.14	46.28	49.03	55.93	65.30	70.26	77.70	63
-	-	-	-	-	-	18.95	23.10	25.86	28.62	32.76	39.65	43.79	46.55	53.44	62.81	67.78	75.22	64
-	11.54	15.68	19.82	23.13	25.34	29.48	33.61	36.37	39.12	43.26	50.15	54.28	57.04	63.93	73.30	78.26	85.70	65
9.62	14.04	18.18	22.31	25.62	27.83	31.96	36.10	38.85	41.61	45.74	52.63	56.77	59.52	66.41	75.78	80.74	88.19	66
-	-	13.74	17.88	21.19	23.40	27.54	31.68	34.43	37.19	41.33	48.22	52.35	55.11	62.00	71.37	76.33	83.77	67
10.17	14.59	18.73	22.86	26.17	28.38	32.51	36.65	39.40	42.16	46.29	53.18	57.32	60.07	66.96	76.34	81.30	88.74	68
-	-	-	13.98	17.31	19.52	23.66	27.80	30.56	33.32	37.45	44.35	48.48	51.24	58.13	67.51	72.47	79.91	69
8.22	12.65	16.79	20.93	24.24	26.44	30.58	34.71	37.47	40.23	44.36	51.25	55.39	58.14	65.03	74.40	79.37	86.81	70
-	10.70	14.84	18.99	22.30	24.50	28.64	32.78	35.54	38.29	42.43	49.32	53.45	56.21	63.10	72.47	77.43	84.88	71
-	-	-	15.09	18.41	20.62	24.76	28.90	31.66	34.42	38.56	45.45	49.59	52.34	59.24	68.61	73.57	81.01	72
9.75	14.17	18.31	22.45	25.76	27.96	32.10	36.23	38.99	41.74	45.88	52.77	56.90	59.66	66.55	75.92	80.88	88.32	73
-	-	-	-	-	15.31	19.47	23.62	26.39	29.15	33.29	40.19	44.33	47.09	53.98	63.36	68.32	75.76	74
9.33	13.75	17.89	22.03	25.34	27.55	31.68	35.82	38.57	41.33	45.46	52.35	56.49	59.25	66.14	75.51	80.47	87.91	75
-	11.80	15.95	20.09	23.40	25.61	29.75	33.88	36.64	39.40	43.53	50.42	54.56	57.31	64.20	73.58	78.54	85.98	76
-	-	12.04	16.20	19.52	21.73	25.87	30.01	32.77	35.52	39.66	46.55	50.69	53.45	60.34	69.71	74.67	82.11	77
-	-	-	-	15.61	17.83	21.98	26.12	28.88	31.64	35.78	42.68	46.82	49.58	56.47	65.84	70.80	78.25	78
9.88	14.30	18.44	22.58	25.89	28.10	32.23	36.37	39.12	41.88	46.02	52.91	57.04	59.80	66.69	76.06	81.02	88.46	79
-	-	13.15	17.31	20.62	22.83	26.97	31.11	33.87	36.63	40.76	47.66	51.79	54.55	61.44	70.81	75.77	83.22	80
-	10.95	15.11	19.25	22.56	24.77	28.91	33.05	35.81	38.56	42.70	49.59	53.73	56.48	63.37	72.75	77.71	85.15	81
8.48	12.91	17.05	21.19	24.50	26.71	30.85	34.98	37.74	40.50	44.63	51.52	55.66	58.42	65.31	74.68	79.64	87.08	82
9.46	13.88	18.03	22.16	25.47	27.68	31.82	35.95	38.71	41.47	45.60	52.49	56.63	59.38	66.27	75.64	80.60	88.05	83
-	-	-	14.50	17.83	20.04	24.19	28.33	31.09	33.85	37.99	44.89	49.02	51.78	58.67	68.05	73.01	80.45	84
-	10.10	14.26	18.41	21.73	23.94	28.08	32.21	34.97	37.73	41.87	48.76	52.89	55.65	62.54	71.92	76.88	84.32	85
-	-	-	-	-	-	-	18.81	21.59	24.37	28.52	35.44	39.59	42.35	49.25	58.63	63.60	71.05	86
-	-	-	-	-	15.82	19.99	24.14	26.91	29.68	33.82	40.72	44.86	47.62	54.52	63.90	68.86	76.30	87
-	12.06	16.21	20.36	23.67	25.88	30.01	34.15	36.91	39.67	43.80	50.69	54.83	57.59	64.48	73.85	78.81	86.25	88
-	-	11.44	15.61	18.93	21.15	25.29	29.44	32.20	34.96	39.09	45.99	50.13	52.88	59.78	69.15	74.11	81.56	89
9.59	14.02	18.16	22.30	25.61	27.81	31.95	36.09	38.84	41.60	45.74	52.63	56.76	59.52	66.41	75.78	80.74	88.18	90
-	-	-	-	16.12	18.34	22.50	26.65	29.41	32.18	36.32	43.22	47.35	50.11	57.01	66.38	71.35	78.79	91
-	11.21	15.37	19.52	22.83	25.04	29.18	33.32	36.08	38.83	42.97	49.86	54.00	56.75	63.65	73.02	77.98	85.42	92
-	-	12.55	16.72	20.04	22.25	26.40	30.54	33.30	36.06	40.20	47.09	51.23	53.99	60.88	70.25	75.22	82.66	93
8.73	13.17	17.32	21.46	24.77	26.98	31.12	35.25	38.01	40.77	44.90	51.80	55.93	58.69	65.58	74.95	79.91	87.35	94
-	10.35	14.52	18.67	21.99	24.20	28.34	32.48	35.24	38.00	42.14	49.03	53.17	55.92	62.81	72.19	77.15	84.59	95
-	12.32	16.48	20.62	23.94	26.14	30.28	34.42	37.18	39.94	44.07	50.96	55.10	57.86	64.75	74.12	79.08	86.52	96
-	-	13.67	17.83	21.15	23.36	27.50	31.64	34.40	37.16	41.30	48.20	52.33	55.09	61.98	71.36	76.32	83.76	97
-	-	-	15.01	18.34	20.56	24.71	28.86	31.62	34.38	38.53	45.42	49.56	52.32	59.21	68.59	73.55	81.00	98
-	-	-	-	-	16.32	20.50	24.66	27.43	30.20	34.35	41.25	45.40	48.16	55.06	64.43	69.40	76.84	99
8.86	13.30	17.45	21.59	24.91	27.11	31.25	35.39	38.15	40.90	45.04	51.93	56.07	58.82	65.72	75.09	80.05	87.49	100
-	11.47	15.63	19.78	23.10	25.31	29.45	33.58	36.34	39.10	43.24	50.13	54.27	57.03	63.92	73.29	78.25	85.69	101
-	-	-	13.28	16.63	18.86	23.02	27.17	29.94	32.70	36.85	43.75	47.89	50.65	57.55	66.92	71.89	79.33	102
0.80	0.80	0.90	0.90	0.95	0.95	1.00	1.00	1.00	1.05	1.05	1.05	1.10	1.10	1.10	1.10	1.10	1.10	1.10

# QT Power Chain Synchronous 14M

## Drive Selection Tables

Line No.	Drive Ratio	Sprocket Combination				1160 RPM DriveR						1750 RPM DriveR					
		DRIVER		DRIVEN		DN RPM	Horsepower					DN RPM	Horsepower				
		Teeth	PD (in)	Teeth	PD (in)		20MM	42MM	65MM	90MM	120MM		20MM	42MM	65MM	90MM	120MM
Multiply Horsepower Listed by Length Correction Factor to Find Horsepower Rating →																	
103	1.55	44	7.720	68	11.930	751	46.8	98.3	152.1	210.6	280.8	1132	65.5	137.6	212.9	294.8	393.0
104	1.56	36	6.316	56	9.825	746	37.8	79.3	122.7	169.9	226.5	1125	53.0	111.3	172.3	238.6	318.1
105	1.56	72	12.632	112	19.650	746	77.9	163.5	253.0	350.3	467.1	1125	107.0	224.6	347.6	481.3	641.7
106	1.57	28	4.913	44	7.720	738	28.6	60.1	93.1	128.9	171.8	1114	40.3	84.7	131.1	181.5	242.0
107	1.58	38	6.667	60	10.527	735	40.0	84.0	130.1	180.1	240.1	1108	56.2	117.9	182.5	252.7	337.0
108	1.60	30	5.263	48	8.421	725	30.9	64.9	100.5	139.1	185.5	1094	43.5	91.4	141.4	195.8	261.1
109	1.60	40	7.018	64	11.229	725	42.3	88.8	137.4	190.3	253.7	1094	59.3	124.5	192.7	266.8	355.7
110	1.61	56	9.825	90	15.790	722	60.3	126.5	195.8	271.1	361.5	1089	83.8	175.9	272.2	376.9	502.5
111	1.63	32	5.614	52	9.123	714	33.2	69.7	107.9	149.4	199.2	1077	46.7	98.1	151.8	210.1	280.2
112	1.64	44	7.720	72	12.632	709	46.8	98.3	152.1	210.6	280.8	1069	65.5	137.6	212.9	294.8	393.0
113	1.65	34	5.965	56	9.825	704	35.5	74.5	115.3	159.6	212.9	1062	49.9	104.7	162.1	224.4	299.2
114	1.65	68	11.930	112	19.650	704	73.5	154.3	238.9	330.7	441.0	1062	101.3	212.7	329.2	455.8	607.7
115	1.66	29	5.088	48	8.421	701	29.8	62.5	96.8	134.0	178.7	1057	41.9	88.0	136.3	188.7	251.6
116	1.67	36	6.316	60	10.527	696	37.8	79.3	122.7	169.9	226.5	1050	53.0	111.3	172.3	238.6	318.1
117	1.67	48	8.421	80	14.036	696	51.3	107.8	166.8	230.9	307.9	1050	71.7	150.5	232.9	322.4	429.9
118	1.68	38	6.667	64	11.229	689	40.0	84.0	130.1	180.1	240.1	1039	56.2	117.9	182.5	252.7	337.0
119	1.70	40	7.018	68	11.930	682	42.3	88.8	137.4	190.3	253.7	1029	59.3	124.5	192.7	266.8	355.7
120	1.71	28	4.913	48	8.421	677	28.6	60.1	93.1	128.9	171.8	1021	40.3	84.7	131.1	181.5	242.0
121	1.73	52	9.123	90	15.790	670	55.8	117.2	181.3	251.1	334.7	1011	77.7	163.3	252.6	349.8	466.4
122	1.73	30	5.263	52	9.123	669	30.9	64.9	100.5	139.1	185.5	1010	43.5	91.4	141.4	195.8	261.1
123	1.75	32	5.614	56	9.825	663	33.2	69.7	107.9	149.4	199.2	1000	46.7	98.1	151.8	210.1	280.2
124	1.75	64	11.229	112	19.650	663	69.1	145.1	224.6	311.0	414.6	1000	95.5	200.6	310.5	429.9	573.2
125	1.76	34	5.965	60	10.527	657	35.5	74.5	115.3	159.6	212.9	992	49.9	104.7	162.1	224.4	299.2
126	1.78	36	6.316	64	11.229	652	37.8	79.3	122.7	169.9	226.5	984	53.0	111.3	172.3	238.6	318.1
127	1.79	38	6.667	68	11.930	648	40.0	84.0	130.1	180.1	240.1	978	56.2	117.9	182.5	252.7	337.0
128	1.79	29	5.088	52	9.123	647	29.8	62.5	96.8	134.0	178.7	976	41.9	88.0	136.3	188.7	251.6
129	1.80	40	7.018	72	12.632	644	42.3	88.8	137.4	190.3	253.7	972	59.3	124.5	192.7	266.8	355.7
130	1.80	80	14.036	144	25.264	644	86.5	181.6	281.1	389.2	518.9	972	118.0	247.7	383.4	530.8	707.8
131	1.82	44	7.720	80	14.036	638	46.8	98.3	152.1	210.6	280.8	962	65.5	137.6	212.9	294.8	393.0
132	1.86	28	4.913	52	9.123	625	28.6	60.1	93.1	128.9	171.8	942	40.3	84.7	131.1	181.5	242.0
133	1.87	30	5.263	56	9.825	621	30.9	64.9	100.5	139.1	185.5	938	43.5	91.4	141.4	195.8	261.1
134	1.87	60	10.527	112	19.650	621	64.7	135.9	210.2	291.1	388.1	938	89.7	188.3	291.5	403.6	538.1
135	1.88	32	5.614	60	10.527	619	33.2	69.7	107.9	149.4	199.2	933	46.7	98.1	151.8	210.1	280.2
136	1.88	48	8.421	90	15.790	619	51.3	107.8	166.8	230.9	307.9	933	71.7	150.5	232.9	322.4	429.9
137	1.88	34	5.965	64	11.229	616	35.5	74.5	115.3	159.6	212.9	930	49.9	104.7	162.1	224.4	299.2
138	1.89	36	6.316	68	11.930	614	37.8	79.3	122.7	169.9	226.5	926	53.0	111.3	172.3	238.6	318.1
139	1.89	38	6.667	72	12.632	612	40.0	84.0	130.1	180.1	240.1	924	56.2	117.9	182.5	252.7	337.0
140	1.93	29	5.088	56	9.825	601	29.8	62.5	96.8	134.0	178.7	906	41.9	88.0	136.3	188.7	251.6
141	2.00	28	4.913	56	9.825	580	28.6	60.1	93.1	128.9	171.8	875	40.3	84.7	131.1	181.5	242.0
142	2.00	30	5.263	60	10.527	580	30.9	64.9	100.5	139.1	185.5	875	43.5	91.4	141.4	195.8	261.1
143	2.00	32	5.614	64	11.229	580	33.2	69.7	107.9	149.4	199.2	875	46.7	98.1	151.8	210.1	280.2
144	2.00	34	5.965	68	11.930	580	35.5	74.5	115.3	159.6	212.9	875	49.9	104.7	162.1	224.4	299.2
145	2.00	36	6.316	72	12.632	580	37.8	79.3	122.7	169.9	226.5	875	53.0	111.3	172.3	238.6	318.1
146	2.00	40	7.018	80	14.036	580	42.3	88.8	137.4	190.3	253.7	875	59.3	124.5	192.7	266.8	355.7
147	2.00	56	9.825	112	19.650	580	60.3	126.5	195.8	271.1	361.5	875	83.8	175.9	272.2	376.9	502.5
148	2.00	72	12.632	144	25.264	580	77.9	163.5	253.0	350.3	467.1	875	107.0	224.6	347.6	481.3	641.7
149	2.05	44	7.720	90	15.790	567	46.8	98.3	152.1	210.6	280.8	856	65.5	137.6	212.9	294.8	393.0
150	2.07	29	5.088	60	10.527	561	29.8	62.5	96.8	134.0	178.7	846	41.9	88.0	136.3	188.7	251.6
151	2.10	80	14.036	168	29.475	552	86.5	181.6	281.1	389.2	518.9	833	118.0	247.7	383.4	530.8	707.8
152	2.11	38	6.667	80	14.036	551	40.0	84.0	130.1	180.1	240.1	831	56.2	117.9	182.5	252.7	337.0
153	2.12	34	5.965	72	12.632	548	35.5	74.5	115.3	159.6	212.9	826	49.9	104.7	162.1	224.4	299.2
Multiply Horsepower Listed by Length Correction Factor to Find Horsepower Rating →																	

# QT Power Chain Synchronous 14M

## Drive Selection Tables

CENTER DISTANCE																	Line No.
BELT LENGTH - Length Correction Factor																	
1190	1400	1610	1778	1890	2100	2310	2450	2590	2800	3150	3360	3500	3850	4326	4578	4956	
0.80	0.90	0.90	0.95	0.95	1.00	1.00	1.00	1.05	1.05	1.05	1.10	1.10	1.10	1.10	1.10	1.10	
-	11.94	16.12	19.45	21.67	25.82	29.97	32.73	35.49	39.63	46.53	50.66	53.42	60.32	69.69	74.66	82.10	103
10.60	14.78	18.93	22.25	24.46	28.61	32.75	35.51	38.27	42.40	49.30	53.44	56.19	63.09	72.46	77.42	84.86	104
-	-	-	-	-	-	19.81	22.60	25.39	29.56	36.48	40.64	43.40	50.31	59.70	64.67	72.12	105
13.43	17.58	21.73	25.04	27.25	31.39	35.52	38.28	41.04	45.18	52.07	56.20	58.96	65.85	75.22	80.18	87.63	106
9.73	13.92	18.09	21.41	23.62	27.77	31.91	34.67	37.43	41.57	48.47	52.60	55.36	62.25	71.63	76.59	84.03	107
12.58	16.74	20.89	24.20	26.41	30.55	34.69	37.45	40.21	44.34	51.24	55.37	58.13	65.02	74.39	79.35	86.80	108
-	13.06	17.23	20.56	22.78	26.93	31.07	33.83	36.59	40.73	47.63	51.77	54.53	61.42	70.80	75.76	83.20	109
-	-	-	14.58	16.82	21.01	25.18	27.95	30.72	34.87	41.78	45.93	48.69	55.59	64.97	69.94	77.38	110
11.72	15.89	20.04	23.36	25.57	29.71	33.85	36.61	39.37	43.51	50.40	54.54	57.30	64.19	73.56	78.52	85.97	111
-	11.31	15.51	18.86	21.08	25.23	29.39	32.15	34.91	39.06	45.96	50.10	52.86	59.75	69.13	74.09	81.54	112
10.85	15.03	19.19	22.52	24.73	28.87	33.01	35.77	38.53	42.67	49.57	53.71	56.46	63.36	72.73	77.69	85.14	113
-	-	-	-	-	-	20.30	23.10	25.89	30.07	37.00	41.16	43.92	50.84	60.23	65.20	72.65	114
12.71	16.87	21.02	24.33	26.54	30.68	34.82	37.58	40.34	44.48	51.37	55.51	58.26	65.16	74.53	79.49	86.93	115
9.97	14.17	18.34	21.67	23.88	28.03	32.18	34.94	37.70	41.84	48.73	52.87	55.63	62.52	71.90	76.86	84.30	116
-	-	13.77	17.13	19.36	23.53	27.69	30.46	33.23	37.37	44.28	48.42	51.18	58.08	67.46	72.43	79.87	117
-	13.31	17.49	20.82	23.04	27.19	31.33	34.10	36.86	41.00	47.90	52.04	54.80	61.69	71.07	76.03	83.47	118
-	12.43	16.63	19.97	22.19	26.34	30.49	33.26	36.02	40.16	47.06	51.20	53.96	60.86	70.23	75.20	82.64	119
12.83	17.00	21.15	24.46	26.67	30.82	34.96	37.72	40.47	44.61	51.51	55.64	58.40	65.29	74.66	79.63	87.07	120
-	-	-	15.06	17.32	21.51	25.69	28.47	31.24	35.39	42.31	46.46	49.22	56.12	65.51	70.47	77.92	121
11.97	16.14	20.30	23.62	25.83	29.98	34.12	36.88	39.64	43.78	50.67	54.81	57.57	64.46	73.83	78.80	86.24	122
11.10	15.29	19.45	22.78	24.99	29.14	33.28	36.04	38.80	42.94	49.84	53.97	56.73	63.63	73.00	77.96	85.41	123
-	-	-	-	-	-	20.79	23.60	26.40	30.58	37.52	41.68	44.45	51.36	60.76	65.73	73.19	124
10.22	14.43	18.60	21.93	24.14	28.29	32.44	35.20	37.96	42.10	49.00	53.14	55.90	62.79	72.17	77.13	84.58	125
-	13.56	17.74	21.08	23.30	27.45	31.60	34.36	37.12	41.27	48.17	52.30	55.06	61.96	71.34	76.30	83.74	126
-	12.68	16.88	20.22	22.44	26.60	30.75	33.52	36.28	40.43	47.33	51.47	54.23	61.12	70.50	75.47	82.91	127
12.10	16.27	20.43	23.75	25.96	30.11	34.25	37.01	39.77	43.91	50.81	54.94	57.70	64.59	73.97	78.93	86.37	128
-	11.79	16.01	19.36	21.59	25.75	29.91	32.67	35.44	39.59	46.49	50.63	53.39	60.29	69.67	74.63	82.08	129
-	-	-	-	-	-	-	-	-	23.58	30.63	34.82	37.61	44.57	54.00	58.98	66.46	130
-	-	14.26	17.63	19.87	24.04	28.21	30.98	33.75	37.90	44.81	48.95	51.71	58.62	68.00	72.96	80.41	131
12.22	16.40	20.56	23.88	26.10	30.24	34.38	37.15	39.91	44.04	50.94	55.08	57.84	64.73	74.10	79.07	86.51	132
11.35	15.54	19.71	23.04	25.25	29.40	33.54	36.31	39.07	43.21	50.11	54.24	57.00	63.90	73.27	78.23	85.68	133
-	-	-	-	-	17.03	21.28	24.10	26.90	31.08	38.03	42.19	44.97	51.89	61.29	66.26	73.72	134
10.46	14.68	18.86	22.19	24.40	28.56	32.70	35.47	38.23	42.37	49.27	53.41	56.17	63.06	72.44	77.40	84.85	135
-	-	-	15.55	17.81	22.01	26.20	28.98	31.75	35.91	42.83	46.98	49.75	56.65	66.04	71.01	78.46	136
-	13.80	18.00	21.33	23.55	27.71	31.86	34.62	37.39	41.53	48.43	52.57	55.33	62.23	71.61	76.57	84.01	137
-	12.92	17.13	20.48	22.70	26.86	31.01	33.78	36.55	40.69	47.59	51.73	54.49	61.39	70.77	75.74	83.18	138
-	12.03	16.26	19.62	21.84	26.01	30.17	32.94	35.70	39.85	46.76	50.90	53.66	60.56	69.94	74.90	82.35	139
11.47	15.67	19.84	23.17	25.38	29.53	33.68	36.44	39.20	43.34	50.24	54.38	57.14	64.03	73.41	78.37	85.81	140
11.59	15.79	19.97	23.30	25.51	29.66	33.81	36.57	39.33	43.47	50.37	54.51	57.27	64.17	73.54	78.50	85.95	141
10.70	14.93	19.11	22.44	24.66	28.82	32.97	35.73	38.49	42.64	49.54	53.68	56.43	63.33	72.71	77.67	85.12	142
9.79	14.05	18.25	21.59	23.81	27.97	32.12	34.89	37.65	41.80	48.70	52.84	55.60	62.50	71.87	76.84	84.28	143
-	13.17	17.38	20.73	22.96	27.12	31.28	34.04	36.81	40.95	47.86	52.00	54.76	61.66	71.04	76.00	83.45	144
-	12.27	16.51	19.87	22.10	26.27	30.43	33.20	35.96	40.11	47.02	51.16	53.92	60.82	70.20	75.17	82.62	145
-	-	14.74	18.12	20.37	24.55	28.72	31.50	34.27	38.42	45.34	49.48	52.24	59.15	68.53	73.50	80.95	146
-	-	-	-	-	17.50	21.77	24.59	27.39	31.59	38.55	42.71	45.48	52.41	61.81	66.79	74.25	147
-	-	-	-	-	-	-	-	20.23	24.54	31.61	35.82	38.62	45.59	55.03	60.02	67.50	148
-	-	-	16.03	18.30	22.51	26.70	29.49	32.27	36.43	43.36	47.51	50.27	57.18	66.57	71.54	78.99	149
10.82	15.05	19.24	22.57	24.79	28.95	33.10	35.86	38.62	42.77	49.67	53.81	56.57	63.47	72.84	77.81	85.25	150
-	-	-	-	-	-	-	-	-	-	26.72	31.01	33.84	40.89	50.39	55.41	62.91	151
-	-	14.98	18.37	20.62	24.81	28.98	31.75	34.53	38.68	45.60	49.75	52.51	59.41	68.80	73.77	81.22	152
-	12.51	16.75	20.12	22.35	26.52	30.69	33.46	36.22	40.37	47.28	51.43	54.19	61.09	70.47	75.44	82.89	153
0.80	0.90	0.90	0.95	0.95	1.00	1.00	1.00	1.05	1.05	1.05	1.10	1.10	1.10	1.10	1.10	1.10	

# QT Power Chain Synchronous 14M

## Drive Selection Tables

Line No.	Drive Ratio	Sprocket Combination				1160 RPM DriveR					1750 RPM DriveR						
		DRIVER		DRIVEN		DN RPM	Horsepower					DN RPM	Horsepower				
		Teeth	PD (in)	Teeth	PD (in)		20MM	42MM	65MM	90MM	120MM		20MM	42MM	65MM	90MM	120MM
Multiply Horsepower Listed by Length Correction Factor to Find Horsepower Rating -->																	
154	2.12	68	11.930	144	25.264	548	73.5	154.3	238.9	330.7	441.0	826	101.3	212.7	329.2	455.8	607.7
155	2.13	32	5.614	68	11.930	546	33.2	69.7	107.9	149.4	199.2	824	46.7	98.1	151.8	210.1	280.2
156	2.13	30	5.263	64	11.229	544	30.9	64.9	100.5	139.1	185.5	820	43.5	91.4	141.4	195.8	261.1
157	2.14	28	4.913	60	10.527	541	28.6	60.1	93.1	128.9	171.8	817	40.3	84.7	131.1	181.5	242.0
158	2.15	52	9.123	112	19.650	539	55.8	117.2	181.3	251.1	334.7	812	77.7	163.3	252.6	349.8	466.4
159	2.21	29	5.088	64	11.229	526	29.8	62.5	96.8	134.0	178.7	793	41.9	88.0	136.3	188.7	251.6
160	2.22	36	6.316	80	14.036	522	37.8	79.3	122.7	169.9	226.5	788	53.0	111.3	172.3	238.6	318.1
161	2.25	32	5.614	72	12.632	516	33.2	69.7	107.9	149.4	199.2	778	46.7	98.1	151.8	210.1	280.2
162	2.25	40	7.018	90	15.790	516	42.3	88.8	137.4	190.3	253.7	778	59.3	124.5	192.7	266.8	355.7
163	2.25	64	11.229	144	25.264	516	69.1	145.1	224.6	311.0	414.6	778	95.5	200.6	310.5	429.9	573.2
164	2.27	30	5.263	68	11.930	512	30.9	64.9	100.5	139.1	185.5	772	43.5	91.4	141.4	195.8	261.1
165	2.29	28	4.913	64	11.229	508	28.6	60.1	93.1	128.9	171.8	766	40.3	84.7	131.1	181.5	242.0
166	2.33	48	8.421	112	19.650	497	51.3	107.8	166.8	230.9	307.9	750	71.7	150.5	232.9	322.4	429.9
167	2.33	72	12.632	168	29.475	497	77.9	163.5	253.0	350.3	467.1	750	107.0	224.6	347.6	481.3	641.7
168	2.34	29	5.088	68	11.930	495	29.8	62.5	96.8	134.0	178.7	746	41.9	88.0	136.3	188.7	251.6
169	2.35	34	5.965	80	14.036	493	35.5	74.5	115.3	159.6	212.9	744	49.9	104.7	162.1	224.4	299.2
170	2.37	38	6.667	90	15.790	490	40.0	84.0	130.1	180.1	240.1	739	56.2	117.9	182.5	252.7	337.0
171	2.40	30	5.263	72	12.632	483	30.9	64.9	100.5	139.1	185.5	729	43.5	91.4	141.4	195.8	261.1
172	2.40	60	10.527	144	25.264	483	64.7	135.9	210.2	291.1	388.1	729	89.7	188.3	291.5	403.6	538.1
173	2.40	80	14.036	192	33.686	483	86.5	181.6	281.1	389.2	518.9	729	118.0	247.7	383.4	530.8	707.8
174	2.43	28	4.913	68	11.930	478	28.6	60.1	93.1	128.9	171.8	721	40.3	84.7	131.1	181.5	242.0
175	2.47	68	11.930	168	29.475	470	73.5	154.3	238.9	330.7	441.0	708	101.3	212.7	329.2	455.8	607.7
176	2.48	29	5.088	72	12.632	467	29.8	62.5	96.8	134.0	178.7	705	41.9	88.0	136.3	188.7	251.6
177	2.50	32	5.614	80	14.036	464	33.2	69.7	107.9	149.4	199.2	700	46.7	98.1	151.8	210.1	280.2
178	2.50	36	6.316	90	15.790	464	37.8	79.3	122.7	169.9	226.5	700	53.0	111.3	172.3	238.6	318.1
179	2.55	44	7.720	112	19.650	456	46.8	98.3	152.1	210.6	280.8	688	65.5	137.6	212.9	294.8	393.0
180	2.57	28	4.913	72	12.632	451	28.6	60.1	93.1	128.9	171.8	681	40.3	84.7	131.1	181.5	242.0
181	2.57	56	9.825	144	25.264	451	60.3	126.5	195.8	271.1	361.5	681	83.8	175.9	272.2	376.9	502.5
182	2.63	64	11.229	168	29.475	442	69.1	145.1	224.6	311.0	414.6	667	95.5	200.6	310.5	429.9	573.2
183	2.65	34	5.965	90	15.790	438	35.5	74.5	115.3	159.6	212.9	661	49.9	104.7	162.1	224.4	299.2
184	2.67	30	5.263	80	14.036	435	30.9	64.9	100.5	139.1	185.5	656	43.5	91.4	141.4	195.8	261.1
185	2.67	72	12.632	192	33.686	435	77.9	163.5	253.0	350.3	467.1	656	107.0	224.6	347.6	481.3	641.7
186	2.70	80	14.036	216	37.896	430	86.5	181.6	281.1	389.2	518.9	648	118.0	247.7	383.4	530.8	707.8
187	2.76	29	5.088	80	14.036	420	29.8	62.5	96.8	134.0	178.7	634	41.9	88.0	136.3	188.7	251.6
188	2.77	52	9.123	144	25.264	419	55.8	117.2	181.3	251.1	334.7	632	77.7	163.3	252.6	349.8	466.4
189	2.80	40	7.018	112	19.650	414	42.3	88.8	137.4	190.3	253.7	625	59.3	124.5	192.7	266.8	355.7
190	2.80	60	10.527	168	29.475	414	64.7	135.9	210.2	291.1	388.1	625	89.7	188.3	291.5	403.6	538.1
191	2.81	32	5.614	90	15.790	412	33.2	69.7	107.9	149.4	199.2	622	46.7	98.1	151.8	210.1	280.2
192	2.82	68	11.930	192	33.686	411	73.5	154.3	238.9	330.7	441.0	620	101.3	212.7	329.2	455.8	607.7
193	2.86	28	4.913	80	14.036	406	28.6	60.1	93.1	128.9	171.8	612	40.3	84.7	131.1	181.5	242.0
194	2.95	38	6.667	112	19.650	394	40.0	84.0	130.1	180.1	240.1	594	56.2	117.9	182.5	252.7	337.0
195	3.00	30	5.263	90	15.790	387	30.9	64.9	100.5	139.1	185.5	583	43.5	91.4	141.4	195.8	261.1
196	3.00	48	8.421	144	25.264	387	51.3	107.8	166.8	230.9	307.9	583	71.7	150.5	232.9	322.4	429.9
197	3.00	56	9.825	168	29.475	387	60.3	126.5	195.8	271.1	361.5	583	83.8	175.9	272.2	376.9	502.5
198	3.00	64	11.229	192	33.686	387	69.1	145.1	224.6	311.0	414.6	583	95.5	200.6	310.5	429.9	573.2
199	3.00	72	12.632	216	37.896	387	77.9	163.5	253.0	350.3	467.1	583	107.0	224.6	347.6	481.3	641.7
200	3.10	29	5.088	90	15.790	374	29.8	62.5	96.8	134.0	178.7	564	41.9	88.0	136.3	188.7	251.6
201	3.11	36	6.316	112	19.650	373	37.8	79.3	122.7	169.9	226.5	562	53.0	111.3	172.3	238.6	318.1
202	3.18	68	11.930	216	37.896	365	73.5	154.3	238.9	330.7	441.0	551	101.3	212.7	329.2	455.8	607.7
203	3.20	60	10.527	192	33.686	362	64.7	135.9	210.2	291.1	388.1	547	89.7	188.3	291.5	403.6	538.1
204	3.21	28	4.913	90	15.790	361	28.6	60.1	93.1	128.9	171.8	544	40.3	84.7	131.1	181.5	242.0
Multiply Horsepower Listed by Length Correction Factor to Find Horsepower Rating -->																	

# QT Power Chain Synchronous 14M

## Drive Selection Tables

CENTER DISTANCE																Line No.
BELT LENGTH - Length Correction Factor																
1400	1610	1778	1890	2100	2310	2450	2590	2800	3150	3360	3500	3850	4326	4578	4956	
0.90	0.90	0.95	0.95	1.00	1.00	1.00	1.05	1.05	1.05	1.10	1.10	1.10	1.10	1.10	1.10	
-	-	-	-	-	-	-	20.70	25.02	32.10	36.32	39.12	46.09	55.54	60.54	68.02	154
13.41	17.63	20.98	23.21	27.38	31.53	34.30	37.07	41.22	48.12	52.27	55.03	61.93	71.31	76.27	83.72	155
14.30	18.50	21.84	24.07	28.23	32.38	35.15	37.91	42.06	48.96	53.11	55.87	62.76	72.14	77.11	84.55	156
15.17	19.36	22.70	24.92	29.08	33.23	35.99	38.76	42.90	49.80	53.94	56.70	63.60	72.98	77.94	85.39	157
-	-	-	-	17.97	22.25	25.08	27.89	32.09	39.05	43.22	46.00	52.93	62.34	67.31	74.78	158
14.42	18.62	21.97	24.19	28.36	32.51	35.28	38.05	42.19	49.10	53.24	56.00	62.90	72.28	77.24	84.69	159
-	15.22	18.62	20.86	25.06	29.23	32.01	34.79	38.94	45.86	50.01	52.77	59.68	69.07	74.03	81.48	160
12.75	17.00	20.37	22.60	26.78	30.94	33.71	36.48	40.64	47.55	51.69	54.45	61.36	70.74	75.71	83.15	161
-	13.04	16.50	18.78	23.01	27.21	29.99	32.78	36.94	43.88	48.03	50.79	57.71	67.10	72.07	79.52	162
-	-	-	-	-	-	-	21.16	25.49	32.59	36.81	39.61	46.60	56.06	61.05	68.54	163
13.65	17.88	21.23	23.46	27.63	31.79	34.56	37.33	41.48	48.39	52.53	55.29	62.19	71.58	76.54	83.99	164
14.54	18.75	22.10	24.32	28.49	32.64	35.41	38.18	42.32	49.23	53.37	56.13	63.03	72.41	77.38	84.82	165
-	-	-	-	18.44	22.73	25.56	28.38	32.59	39.56	43.73	46.51	53.45	62.86	67.84	75.30	166
-	-	-	-	-	-	-	-	-	27.65	31.96	34.81	41.87	51.40	56.42	63.93	167
13.77	18.00	21.36	23.59	27.76	31.92	34.69	37.46	41.61	48.52	52.66	55.43	62.33	71.71	76.68	84.12	168
-	15.46	18.86	21.11	25.31	29.49	32.27	35.04	39.20	46.12	50.27	53.04	59.94	69.33	74.30	81.75	169
-	13.27	16.74	19.02	23.25	27.46	30.25	33.03	37.20	44.13	48.29	51.06	57.97	67.37	72.34	79.79	170
12.98	17.24	20.62	22.85	27.03	31.20	33.97	36.74	40.90	47.81	51.96	54.72	61.62	71.01	75.97	83.42	171
-	-	-	-	-	-	-	21.62	25.96	33.08	37.30	40.11	47.10	56.57	61.57	69.06	172
-	-	-	-	-	-	-	-	-	-	26.86	29.80	37.00	46.64	51.70	59.26	173
13.89	18.12	21.49	23.72	27.89	32.05	34.82	37.59	41.74	48.65	52.80	55.56	62.46	71.84	76.81	84.26	174
-	-	-	-	-	-	-	-	-	28.12	32.44	35.29	42.36	51.90	56.92	64.44	175
13.10	17.37	20.74	22.98	27.16	31.33	34.10	36.87	41.03	47.94	52.09	54.85	61.75	71.14	76.11	83.56	176
11.34	15.69	19.10	21.36	25.56	29.74	32.52	35.30	39.46	46.38	50.53	53.30	60.21	69.60	74.57	82.02	177
-	13.50	16.98	19.26	23.50	27.71	30.50	33.28	37.46	44.39	48.55	51.32	58.23	67.63	72.60	80.06	178
-	-	-	-	18.90	23.21	26.05	28.87	33.08	40.07	44.24	47.02	53.96	63.38	68.36	75.83	179
13.22	17.49	20.86	23.10	27.29	31.46	34.23	37.00	41.16	48.07	52.22	54.98	61.89	71.27	76.24	83.69	180
-	-	-	-	-	-	19.11	22.08	26.43	33.56	37.79	40.60	47.60	57.08	62.08	69.57	181
-	-	-	-	-	-	-	-	-	28.58	32.91	35.77	42.85	52.39	57.42	64.95	182
-	13.73	17.21	19.50	23.74	27.95	30.75	33.54	37.71	44.65	48.81	51.58	58.49	67.89	72.87	80.32	183
11.57	15.93	19.35	21.60	25.81	29.99	32.78	35.56	39.72	46.64	50.79	53.56	60.47	69.86	74.83	82.28	184
-	-	-	-	-	-	-	-	-	-	27.77	30.72	37.95	47.62	52.69	60.26	185
-	-	-	-	-	-	-	-	-	-	-	-	32.83	42.70	47.84	55.49	186
11.68	16.05	19.47	21.72	25.93	30.12	32.90	35.68	39.85	46.77	50.93	53.69	60.60	69.99	74.96	82.42	187
-	-	-	-	-	-	19.55	22.53	26.90	34.04	38.28	41.10	48.10	57.58	62.59	70.09	188
-	-	-	14.92	19.36	23.69	26.53	29.36	33.58	40.57	44.75	47.53	54.48	63.90	68.88	76.35	189
-	-	-	-	-	-	-	-	21.63	29.05	33.38	36.24	43.33	52.89	57.93	65.46	190
-	13.95	17.45	19.74	23.99	28.20	31.00	33.79	37.97	44.91	49.07	51.84	58.76	68.16	73.13	80.59	191
-	-	-	-	-	-	-	-	-	-	28.22	31.17	38.42	48.10	53.18	60.76	192
11.80	16.17	19.59	21.85	26.06	30.25	33.03	35.81	39.98	46.90	51.06	53.82	60.73	70.13	75.10	82.55	193
-	-	-	15.14	19.59	23.92	26.77	29.60	33.83	40.82	45.00	47.79	54.73	64.16	69.14	76.61	194
-	14.18	17.68	19.98	24.23	28.45	31.25	34.04	38.22	45.17	49.33	52.10	59.02	68.42	73.39	80.85	195
-	-	-	-	-	-	20.00	22.98	27.37	34.52	38.77	41.59	48.60	58.09	63.10	70.60	196
-	-	-	-	-	-	-	-	22.06	29.51	33.85	36.72	43.82	53.39	58.43	65.96	197
-	-	-	-	-	-	-	-	-	24.12	28.67	31.63	38.89	48.58	53.67	61.25	198
-	-	-	-	-	-	-	-	-	-	-	-	33.74	43.64	48.80	56.46	199
-	14.29	17.80	20.09	24.35	28.57	31.37	34.17	38.35	45.29	49.45	52.23	59.15	68.55	73.53	80.98	200
-	-	-	15.36	19.82	24.16	27.01	29.85	34.07	41.07	45.26	48.04	54.99	64.42	69.40	76.88	201
-	-	-	-	-	-	-	-	-	-	-	26.59	34.19	44.11	49.27	56.95	202
-	-	-	-	-	-	-	-	-	24.55	29.11	32.08	39.36	49.07	54.16	61.75	203
-	14.41	17.91	20.21	24.47	28.70	31.50	34.29	38.47	45.42	49.58	52.36	59.28	68.68	73.66	81.12	204
<b>0.90</b>	<b>0.90</b>	<b>0.95</b>	<b>0.95</b>	<b>1.00</b>	<b>1.00</b>	<b>1.00</b>	<b>1.05</b>	<b>1.05</b>	<b>1.05</b>	<b>1.10</b>	<b>1.10</b>	<b>1.10</b>	<b>1.10</b>	<b>1.10</b>	<b>1.10</b>	

# QT Power Chain Synchronous 14M

## Drive Selection Tables

Line No.	Drive Ratio	Sprocket Combination				1160 RPM DriveR						1750 RPM DriveR					
		DRIVER		DRIVEN		DN RPM	Horsepower					DN RPM	Horsepower				
		Teeth	PD (in)	Teeth	PD (in)		20MM	42MM	65MM	90MM	120MM		20MM	42MM	65MM	90MM	120MM
Multiply Horsepower Listed by Length Correction Factor to Find Horsepower Rating →																	
205	3.23	52	9.123	168	29.475	359	55.8	117.2	181.3	251.1	334.7	542	77.7	163.3	252.6	349.8	466.4
206	3.27	44	7.720	144	25.264	354	46.8	98.3	152.1	210.6	280.8	535	65.5	137.6	212.9	294.8	393.0
207	3.29	34	5.965	112	19.650	352	35.5	74.5	115.3	159.6	212.9	531	49.9	104.7	162.1	224.4	299.2
208	3.38	64	11.229	216	37.896	344	69.1	145.1	224.6	311.0	414.6	519	95.5	200.6	310.5	429.9	573.2
209	3.43	56	9.825	192	33.686	338	60.3	126.5	195.8	271.1	361.5	510	83.8	175.9	272.2	376.9	502.5
210	3.50	32	5.614	112	19.650	331	33.2	69.7	107.9	149.4	199.2	500	46.7	98.1	151.8	210.1	280.2
211	3.50	48	8.421	168	29.475	331	51.3	107.8	166.8	230.9	307.9	500	71.7	150.5	232.9	322.4	429.9
212	3.60	40	7.018	144	25.264	322	42.3	88.8	137.4	190.3	253.7	486	59.3	124.5	192.7	266.8	355.7
213	3.60	60	10.527	216	37.896	322	64.7	135.9	210.2	291.1	388.1	486	89.7	188.3	291.5	403.6	538.1
214	3.69	52	9.123	192	33.686	314	55.8	117.2	181.3	251.1	334.7	474	77.7	163.3	252.6	349.8	466.4
215	3.73	30	5.263	112	19.650	311	30.9	64.9	100.5	139.1	185.5	469	43.5	91.4	141.4	195.8	261.1
216	3.79	38	6.667	144	25.264	306	40.0	84.0	130.1	180.1	240.1	462	56.2	117.9	182.5	252.7	337.0
217	3.82	44	7.720	168	29.475	304	46.8	98.3	152.1	210.6	280.8	458	65.5	137.6	212.9	294.8	393.0
218	3.86	56	9.825	216	37.896	301	60.3	126.5	195.8	271.1	361.5	454	83.8	175.9	272.2	376.9	502.5
219	3.86	29	5.088	112	19.650	300	29.8	62.5	96.8	134.0	178.7	453	41.9	88.0	136.3	188.7	251.6
220	4.00	28	4.913	112	19.650	290	28.6	60.1	93.1	128.9	171.8	438	40.3	84.7	131.1	181.5	242.0
221	4.00	36	6.316	144	25.264	290	37.8	79.3	122.7	169.9	226.5	438	53.0	111.3	172.3	238.6	318.1
222	4.00	48	8.421	192	33.686	290	51.3	107.8	166.8	230.9	307.9	438	71.7	150.5	232.9	322.4	429.9
223	4.15	52	9.123	216	37.896	279	55.8	117.2	181.3	251.1	334.7	421	77.7	163.3	252.6	349.8	466.4
224	4.20	40	7.018	168	29.475	276	42.3	88.8	137.4	190.3	253.7	417	59.3	124.5	192.7	266.8	355.7
225	4.24	34	5.965	144	25.264	274	35.5	74.5	115.3	159.6	212.9	413	49.9	104.7	162.1	224.4	299.2
226	4.36	44	7.720	192	33.686	266	46.8	98.3	152.1	210.6	280.8	401	65.5	137.6	212.9	294.8	393.0
227	4.42	38	6.667	168	29.475	262	40.0	84.0	130.1	180.1	240.1	396	56.2	117.9	182.5	252.7	337.0
228	4.50	32	5.614	144	25.264	258	33.2	69.7	107.9	149.4	199.2	389	46.7	98.1	151.8	210.1	280.2
229	4.50	48	8.421	216	37.896	258	51.3	107.8	166.8	230.9	307.9	389	71.7	150.5	232.9	322.4	429.9
230	4.67	36	6.316	168	29.475	249	37.8	79.3	122.7	169.9	226.5	375	53.0	111.3	172.3	238.6	318.1
231	4.80	30	5.263	144	25.264	242	30.9	64.9	100.5	139.1	185.5	365	43.5	91.4	141.4	195.8	261.1
232	4.80	40	7.018	192	33.686	242	42.3	88.8	137.4	190.3	253.7	365	59.3	124.5	192.7	266.8	355.7
233	4.91	44	7.720	216	37.896	236	46.8	98.3	152.1	210.6	280.8	356	65.5	137.6	212.9	294.8	393.0
234	4.94	34	5.965	168	29.475	235	35.5	74.5	115.3	159.6	212.9	354	49.9	104.7	162.1	224.4	299.2
235	4.97	29	5.088	144	25.264	234	29.8	62.5	96.8	134.0	178.7	352	41.9	88.0	136.3	188.7	251.6
236	5.05	38	6.667	192	33.686	230	40.0	84.0	130.1	180.1	240.1	346	56.2	117.9	182.5	252.7	337.0
237	5.14	28	4.913	144	25.264	226	28.6	60.1	93.1	128.9	171.8	340	40.3	84.7	131.1	181.5	242.0
238	5.25	32	5.614	168	29.475	221	33.2	69.7	107.9	149.4	199.2	333	46.7	98.1	151.8	210.1	280.2
239	5.33	36	6.316	192	33.686	218	37.8	79.3	122.7	169.9	226.5	328	53.0	111.3	172.3	238.6	318.1
240	5.40	40	7.018	216	37.896	215	42.3	88.8	137.4	190.3	253.7	324	59.3	124.5	192.7	266.8	355.7
241	5.60	30	5.263	168	29.475	207	30.9	64.9	100.5	139.1	185.5	312	43.5	91.4	141.4	195.8	261.1
242	5.65	34	5.965	192	33.686	205	35.5	74.5	115.3	159.6	212.9	310	49.9	104.7	162.1	224.4	299.2
243	5.68	38	6.667	216	37.896	204	40.0	84.0	130.1	180.1	240.1	308	56.2	117.9	182.5	252.7	337.0
244	5.79	29	5.088	168	29.475	200	29.8	62.5	96.8	134.0	178.7	302	41.9	88.0	136.3	188.7	251.6
245	6.00	28	4.913	168	29.475	193	28.6	60.1	93.1	128.9	171.8	292	40.3	84.7	131.1	181.5	242.0
246	6.00	32	5.614	192	33.686	193	33.2	69.7	107.9	149.4	199.2	292	46.7	98.1	151.8	210.1	280.2
247	6.00	36	6.316	216	37.896	193	37.8	79.3	122.7	169.9	226.5	292	53.0	111.3	172.3	238.6	318.1
248	6.35	34	5.965	216	37.896	183	35.5	74.5	115.3	159.6	212.9	275	49.9	104.7	162.1	224.4	299.2
249	6.40	30	5.263	192	33.686	181	30.9	64.9	100.5	139.1	185.5	273	43.5	91.4	141.4	195.8	261.1
250	6.62	29	5.088	192	33.686	175	29.8	62.5	96.8	134.0	178.7	264	41.9	88.0	136.3	188.7	251.6
251	6.75	32	5.614	216	37.896	172	33.2	69.7	107.9	149.4	199.2	259	46.7	98.1	151.8	210.1	280.2
252	6.86	28	4.913	192	33.686	169	28.6	60.1	93.1	128.9	171.8	255	40.3	84.7	131.1	181.5	242.0
253	7.20	30	5.263	216	37.896	161	30.9	64.9	100.5	139.1	185.5	243	43.5	91.4	141.4	195.8	261.1
254	7.45	29	5.088	216	37.896	156	29.8	62.5	96.8	134.0	178.7	235	41.9	88.0	136.3	188.7	251.6
255	7.71	28	4.913	216	37.896	150	28.6	60.1	93.1	128.9	171.8	227	40.3	84.7	131.1	181.5	242.0
Multiply Horsepower Listed by Length Correction Factor to Find Horsepower Rating →																	



# QT Power Chain Synchronous 14M

## Drive Selection Tables

CENTER DISTANCE														Line No.
BELT LENGTH - Length Correction Factor														
1778	1890	2100	2310	2450	2590	2800	3150	3360	3500	3850	4326	4578	4956	
0.95	0.95	1.00	1.00	1.00	1.05	1.05	1.05	1.10	1.10	1.10	1.10	1.10	1.10	
-	-	-	-	-	-	22.50	29.96	34.32	37.19	44.30	53.88	58.92	66.47	205
-	-	-	-	20.44	23.44	27.83	35.00	39.26	42.08	49.10	58.60	63.61	71.11	206
-	15.58	20.05	24.39	27.25	30.09	34.32	41.32	45.51	48.29	55.25	64.68	69.66	77.14	207
-	-	-	-	-	-	-	-	-	27.03	34.64	44.58	49.75	57.43	208
-	-	-	-	-	-	-	24.99	29.56	32.54	39.83	49.55	54.64	62.24	209
-	15.80	20.28	24.63	27.49	30.33	34.56	41.57	45.76	48.55	55.50	64.94	69.92	77.40	210
-	-	-	-	-	-	22.94	30.42	34.79	37.66	44.79	54.37	59.42	66.97	211
-	-	-	17.78	20.88	23.89	28.29	35.48	39.74	42.57	49.59	59.10	64.11	71.62	212
-	-	-	-	-	-	-	-	-	27.46	35.09	45.05	50.22	57.91	213
-	-	-	-	-	-	-	25.42	30.01	32.99	40.29	50.03	55.13	62.73	214
-	16.02	20.51	24.86	27.73	30.57	34.81	41.82	46.01	48.80	55.76	65.19	70.18	77.66	215
-	-	-	17.99	21.10	24.11	28.52	35.72	39.98	42.81	49.84	59.35	64.37	71.88	216
-	-	-	-	-	-	23.37	30.88	35.25	38.13	45.27	54.87	59.92	67.47	217
-	-	-	-	-	-	-	-	-	27.88	35.54	45.51	50.69	58.39	218
13.63	16.13	20.62	24.98	27.85	30.69	34.93	41.95	46.14	48.93	55.88	65.32	70.31	77.79	219
13.73	16.24	20.74	25.10	27.97	30.81	35.05	42.07	46.26	49.05	56.01	65.45	70.44	77.92	220
-	-	-	18.20	21.32	24.34	28.75	35.96	40.22	43.05	50.09	59.60	64.62	72.13	221
-	-	-	-	-	-	-	25.85	30.45	33.44	40.76	50.51	55.61	63.23	222
-	-	-	-	-	-	-	-	25.09	28.31	35.98	45.98	51.17	58.87	223
-	-	-	-	-	-	23.81	31.33	35.72	38.60	45.75	55.36	60.41	67.97	224
-	-	-	18.42	21.54	24.56	28.98	36.19	40.46	43.29	50.33	59.85	64.87	72.39	225
-	-	-	-	-	-	-	26.28	30.89	33.89	41.22	50.98	56.10	63.72	226
-	-	-	-	-	19.21	24.03	31.56	35.95	38.84	45.99	55.60	60.66	68.22	227
-	-	-	18.63	21.76	24.78	29.21	36.43	40.70	43.54	50.58	60.10	65.12	72.64	228
-	-	-	-	-	-	-	-	25.51	28.74	36.43	46.44	51.64	59.35	229
-	-	-	-	-	19.42	24.24	31.79	36.18	39.07	46.23	55.85	60.91	68.47	230
-	-	-	18.84	21.98	25.01	29.44	36.67	40.94	43.78	50.83	60.35	65.38	72.90	231
-	-	-	-	-	-	-	26.71	31.34	34.34	41.69	51.46	56.58	64.21	232
-	-	-	-	-	-	-	-	25.92	29.17	36.87	46.90	52.11	59.83	233
-	-	-	-	-	19.63	24.46	32.02	36.41	39.31	46.47	56.09	61.15	68.72	234
-	-	-	18.95	22.09	25.12	29.56	36.79	41.06	43.90	50.95	60.48	65.50	73.02	235
-	-	-	-	-	-	-	26.93	31.56	34.56	41.92	51.70	56.82	64.45	236
-	-	-	19.05	22.19	25.23	29.67	36.90	41.18	44.02	51.07	60.60	65.63	73.15	237
-	-	-	-	-	19.84	24.67	32.24	36.64	39.54	46.70	56.34	61.40	68.97	238
-	-	-	-	-	-	-	27.14	31.78	34.79	42.15	51.94	57.06	64.69	239
-	-	-	-	-	-	-	-	26.34	29.59	37.32	47.37	52.58	60.31	240
-	-	-	-	-	20.05	24.89	32.47	36.87	39.77	46.94	56.58	61.65	69.22	241
-	-	-	-	-	-	-	27.35	32.00	35.01	42.38	52.17	57.30	64.94	242
-	-	-	-	-	-	-	-	26.55	29.81	37.54	47.60	52.81	60.55	243
-	-	-	-	-	20.15	25.00	32.58	36.99	39.89	47.06	56.70	61.77	69.34	244
-	-	-	-	-	20.25	25.11	32.69	37.10	40.00	47.18	56.82	61.89	69.47	245
-	-	-	-	-	-	-	27.57	32.22	35.24	42.61	52.41	57.54	65.18	246
-	-	-	-	-	-	-	-	26.76	30.02	37.76	47.83	53.04	60.78	247
-	-	-	-	-	-	-	-	26.97	30.23	37.98	48.06	53.28	61.02	248
-	-	-	-	-	-	-	27.78	32.44	35.46	42.84	52.65	57.78	65.42	249
-	-	-	-	-	-	-	27.89	32.55	35.57	42.95	52.77	57.90	65.55	250
-	-	-	-	-	-	-	-	27.17	30.45	38.20	48.29	53.51	61.26	251
-	-	-	-	-	-	-	28.00	32.66	35.68	43.07	52.89	58.02	65.67	252
-	-	-	-	-	-	-	-	27.38	30.66	38.43	48.52	53.74	61.50	253
-	-	-	-	-	-	-	-	27.49	30.76	38.54	48.63	53.86	61.62	254
-	-	-	-	-	-	-	-	27.59	30.87	38.65	48.75	53.98	61.73	255
0.95	0.95	1.00	1.00	1.00	1.05	1.05	1.05	1.10	1.10	1.10	1.10	1.10	1.10	

# QT Power Chain Horsepower Ratings 8M

## 12MM WIDE

The following tables represent the horsepower ratings for each belt at the pre-determined No. of Teeth, Pitch Diameters and RPMs. These ratings must be multiplied by the applicable belt length factor to obtain corrected HP rating.

No Teeth	22	24	26	28	30	32	34	36	38	40	44	48	56	64	72	80
	PD (in.)	2.206	2.406	2.607	2.807	3.008	3.208	3.409	3.609	3.81	4.01	4.411	4.812	5.614	6.416	7.218
1160	3.98	4.47	4.96	5.46	5.95	6.45	6.94	7.43	7.93	8.42	9.4	10.38	12.35	14.3	16.25	18.19
1460	4.83	5.43	6.03	6.63	7.22	7.82	8.42	9.02	9.61	10.21	11.4	12.59	14.96	17.31	19.66	21.98
1750	5.63	6.33	7.03	7.72	8.42	9.12	9.81	10.51	11.2	11.89	13.28	14.66	17.4	20.12	22.82	25.49
2900	8.69	9.77	10.84	11.9	12.97	14.03	15.09	16.14	17.19	18.24	20.32	22.38	26.43	30.39	34.24	37.96
3500	10.24	11.5	12.76	14.01	15.25	16.49	17.72	18.95	20.17	21.38	23.78	26.15	30.77	35.22	-	-
10	0.06	0.07	0.07	0.08	0.09	0.1	0.1	0.11	0.12	0.12	0.14	0.15	0.18	0.21	0.24	0.27
20	0.1	0.12	0.13	0.14	0.16	0.17	0.18	0.2	0.21	0.22	0.25	0.27	0.33	0.38	0.43	0.48
40	0.2	0.22	0.25	0.27	0.29	0.32	0.34	0.37	0.39	0.42	0.47	0.52	0.61	0.71	0.81	0.91
60	0.29	0.32	0.36	0.39	0.43	0.47	0.5	0.54	0.57	0.61	0.68	0.75	0.89	1.04	1.18	1.32
100	0.46	0.52	0.58	0.63	0.69	0.75	0.81	0.86	0.92	0.98	1.09	1.21	1.44	1.67	1.9	2.13
200	0.87	0.98	1.09	1.2	1.3	1.41	1.52	1.63	1.74	1.85	2.06	2.28	2.71	3.15	3.58	4.01
300	1.25	1.41	1.56	1.72	1.87	2.03	2.19	2.34	2.5	2.65	2.96	3.28	3.9	4.52	5.14	5.77
400	1.61	1.81	2.01	2.21	2.41	2.61	2.81	3.01	3.21	3.41	3.81	4.21	5.01	5.81	6.61	7.41
500	1.95	2.19	2.44	2.68	2.92	3.17	3.41	3.65	3.89	4.14	4.62	5.11	6.08	7.04	8.01	8.98
600	2.28	2.56	2.85	3.13	3.41	3.7	3.98	4.26	4.55	4.83	5.4	5.96	7.1	8.23	9.36	10.49
800	2.91	3.27	3.63	3.99	4.36	4.72	5.08	5.44	5.8	6.16	6.88	7.61	9.05	10.49	11.92	13.36
1000	3.51	3.95	4.38	4.82	5.25	5.69	6.13	6.56	7	7.43	8.3	9.17	10.91	12.64	14.37	16.09
1200	4.09	4.6	5.11	5.62	6.12	6.63	7.14	7.65	8.15	8.66	9.67	10.68	12.7	14.71	16.71	18.71
1400	4.66	5.24	5.82	6.4	6.97	7.55	8.13	8.71	9.28	9.86	11.01	12.16	14.44	16.72	18.99	21.24
1600	5.22	5.87	6.51	7.16	7.81	8.45	9.1	9.74	10.39	11.03	12.31	13.59	16.15	18.68	21.2	23.69
1800	5.77	6.48	7.2	7.91	8.63	9.34	10.05	10.76	11.47	12.18	13.6	15.01	17.81	20.59	23.35	26.08
2000	6.31	7.09	7.87	8.65	9.43	10.21	10.99	11.77	12.54	13.31	14.86	16.39	19.44	22.46	25.45	28.39
2400	7.38	8.29	9.2	10.11	11.02	11.93	12.84	13.74	14.64	15.54	17.33	19.1	22.62	26.09	29.49	32.82
2800	8.43	9.47	10.51	11.55	12.58	13.61	14.64	15.67	16.69	17.71	19.73	21.73	25.69	29.55	33.32	36.97
3200	9.47	10.64	11.8	12.96	14.12	15.27	16.41	17.56	18.69	19.82	22.07	24.29	28.64	32.86	36.93	-
3600	10.5	11.79	13.07	14.35	15.63	16.89	18.15	19.41	20.65	21.89	24.34	26.76	31.47	35.99	-	-
4000	11.51	12.92	14.33	15.72	17.11	18.49	19.86	21.22	22.57	23.91	26.56	29.15	34.17	-	-	-
4400	12.52	14.04	15.56	17.07	18.57	20.06	21.53	22.99	24.44	25.88	28.7	31.45	36.74	-	-	-
4800	13.51	15.15	16.78	18.4	20.01	21.6	23.17	24.73	26.27	27.79	30.77	33.66	-	-	-	-
5200	14.49	16.25	17.99	19.71	21.41	23.1	24.77	26.41	28.04	29.64	32.76	-	-	-	-	-

22MM WIDE																
No Teeth	22	24	26	28	30	32	34	36	38	40	44	48	56	64	72	80
	PD (in.)	2.206	2.406	2.607	2.807	3.008	3.208	3.409	3.609	3.81	4.01	4.411	4.812	5.614	6.416	7.218
1160	7.29	8.2	9.1	10.01	10.91	11.82	12.72	13.63	14.53	15.43	17.24	19.04	22.64	26.22	29.79	33.35
1460	8.85	9.95	11.05	12.15	13.25	14.34	15.44	16.53	17.63	18.72	20.9	23.08	27.42	31.74	36.04	40.3
1750	10.32	11.6	12.88	14.16	15.44	16.72	17.99	19.26	20.54	21.81	24.34	26.87	31.9	36.89	41.83	46.72
2900	15.94	17.9	19.87	21.82	23.78	25.72	27.66	29.6	31.52	33.44	37.25	41.03	48.46	55.72	62.77	69.6
3500	18.78	21.09	23.39	25.68	27.96	30.23	32.49	34.74	36.98	39.2	43.6	47.94	56.41	64.57	-	-
10	0.11	0.12	0.13	0.15	0.16	0.17	0.19	0.2	0.21	0.23	0.25	0.28	0.33	0.39	0.44	0.5
20	0.19	0.22	0.24	0.26	0.29	0.31	0.34	0.36	0.38	0.41	0.46	0.5	0.6	0.7	0.79	0.89
40	0.36	0.41	0.45	0.5	0.54	0.59	0.63	0.68	0.72	0.76	0.85	0.94	1.12	1.3	1.48	1.66
60	0.53	0.59	0.66	0.72	0.79	0.85	0.92	0.98	1.05	1.11	1.25	1.38	1.64	1.9	2.16	2.42
100	0.85	0.95	1.06	1.16	1.27	1.37	1.48	1.58	1.69	1.79	2	2.21	2.64	3.06	3.48	3.9
200	1.6	1.8	1.99	2.19	2.39	2.59	2.79	2.99	3.19	3.39	3.78	4.18	4.98	5.77	6.57	7.36
300	2.29	2.58	2.87	3.15	3.44	3.72	4.01	4.29	4.58	4.86	5.43	6	7.15	8.29	9.43	10.57
400	2.95	3.32	3.69	4.05	4.42	4.79	5.15	5.52	5.89	6.26	6.99	7.72	9.19	10.66	12.12	13.59
500	3.58	4.02	4.47	4.91	5.36	5.8	6.25	6.69	7.14	7.58	8.47	9.36	11.14	12.92	14.69	16.47
600	4.18	4.7	5.22	5.74	6.26	6.78	7.3	7.82	8.34	8.86	9.9	10.94	13.01	15.09	17.16	19.23
800	5.33	6	6.66	7.32	7.98	8.65	9.31	9.97	10.63	11.3	12.62	13.94	16.59	19.23	21.86	24.49
1000	6.43	7.23	8.03	8.83	9.63	10.43	11.23	12.03	12.83	13.63	15.22	16.81	20	23.17	26.34	29.49
1200	7.5	8.43	9.37	10.3	11.23	12.16	13.09	14.02	14.95	15.88	17.73	19.59	23.29	26.97	30.64	34.3
1400	8.54	9.6	10.67	11.73	12.78	13.84	14.9	15.96	17.02	18.07	20.18	22.28	26.48	30.66	34.81	38.94
1600	9.57	10.75	11.94	13.13	14.31	15.5	16.68	17.86	19.04	20.22	22.57	24.92	29.6	34.25	38.86	43.44
1800	10.57	11.88	13.2	14.5	15.81	17.12	18.42	19.73	21.03	22.33	24.92	27.51	32.65	37.75	42.81	47.8
2000	11.57	13	14.43	15.87	17.3	18.72	20.15	21.57	22.99	24.41	27.24	30.05	35.65	41.18	46.65	52.05
2400	13.53	15.2	16.88	18.54	20.21	21.87	23.53	25.19	26.84	28.48	31.76	35.02	41.47	47.83	54.06	60.17
2800	15.46	17.37	19.27	21.17	23.07	24.96	26.84	28.72	30.59	32.46	36.17	39.84	47.09	54.18	61.08	67.78
3200	17.36	19.5	21.64	23.76	25.88	27.99	30.09	32.19	34.27	36.34	40.46	44.52	52.5	60.24	67.7	-
3600	19.24	21.61	23.97	26.31	28.65	30.97	33.28	35.58	37.87	40.14	44.63	49.06	57.69	65.98	-	-
4000	21.11	23.69	26.26	28.82	31.37	33.9	36.41	38.91	41.38	43.84	48.69	53.44	62.65	-	-	-
4400	22.95	25.75	28.53	31.3	34.05	36.77	39.48	42.16	44.81	47.44	52.61	57.66	67.35	-	-	-
4800	24.77	27.78	30.77	33.74	36.68	39.59	42.48	45.33	48.15	50.94	56.41	61.71	-	-	-	-
5200	26.57	29.78	32.97	36.13	39.26	42.35	45.41	48.43	51.4	54.33	60.06	-	-	-	-	-

# QT Power Chain Horsepower Ratings 8M

## 35MM WIDE

The following tables represent the horsepower ratings for each belt at the pre-determined No. of Teeth, Pitch Diameters and RPMs. These ratings must be multiplied by the applicable belt length factor to obtain corrected HP rating.

	No Teeth	22	24	26	28	30	32	34	36	38	40	44	48	56	64	72	80
	PD (in.)	2.206	2.406	2.607	2.807	3.008	3.208	3.409	3.609	3.81	4.01	4.411	4.812	5.614	6.416	7.218	8.02
Smallest Sprocket RPM	1160	11.6	13.04	14.48	15.92	17.36	18.8	20.24	21.68	23.12	24.55	27.42	30.29	36.01	41.72	47.4	53.06
	1460	14.08	15.83	17.58	19.33	21.07	22.82	24.56	26.3	28.04	29.78	33.26	36.72	43.63	50.5	57.33	64.12
	1750	16.42	18.46	20.5	22.53	24.56	26.59	28.62	30.65	32.67	34.69	38.72	42.74	50.74	58.68	66.55	74.33
	2900	25.35	28.48	31.61	34.72	37.83	40.92	44.01	47.08	50.15	53.2	59.26	65.27	77.1	88.65	99.87	110.73
	3500	29.87	33.54	37.21	40.85	44.48	48.1	51.69	55.27	58.82	62.36	69.36	76.27	89.75	102.73	-	-
	10	0.17	0.19	0.21	0.23	0.26	0.28	0.3	0.32	0.34	0.36	0.41	0.45	0.53	0.62	0.7	0.79
	20	0.31	0.34	0.38	0.42	0.46	0.5	0.53	0.57	0.61	0.65	0.72	0.8	0.95	1.11	1.26	1.41
	40	0.57	0.65	0.72	0.79	0.86	0.93	1	1.07	1.15	1.22	1.36	1.5	1.79	2.07	2.36	2.65
	60	0.84	0.94	1.04	1.15	1.25	1.36	1.46	1.57	1.67	1.77	1.98	2.19	2.61	3.02	3.44	3.86
	100	1.35	1.51	1.68	1.85	2.02	2.18	2.35	2.52	2.69	2.85	3.19	3.52	4.19	4.86	5.53	6.2
	200	2.54	2.86	3.17	3.49	3.81	4.12	4.44	4.75	5.07	5.39	6.02	6.65	7.92	9.18	10.45	11.71
	300	3.65	4.1	4.56	5.01	5.47	5.92	6.37	6.83	7.28	7.74	8.65	9.55	11.37	13.18	15	16.81
	400	4.7	5.28	5.86	6.45	7.03	7.62	8.2	8.78	9.37	9.95	11.12	12.29	14.62	16.96	19.29	21.62
	500	5.69	6.4	7.11	7.82	8.52	9.23	9.94	10.65	11.35	12.06	13.48	14.89	17.72	20.55	23.37	26.2
	600	6.65	7.48	8.3	9.13	9.96	10.79	11.61	12.44	13.27	14.09	15.74	17.4	20.7	24	27.3	30.59
	800	8.48	9.54	10.59	11.65	12.7	13.76	14.81	15.86	16.92	17.97	20.08	22.18	26.39	30.59	34.78	38.97
	1000	10.24	11.51	12.78	14.05	15.33	16.6	17.87	19.14	20.41	21.68	24.21	26.75	31.81	36.86	41.9	46.92
	1200	11.93	13.42	14.9	16.38	17.86	19.34	20.82	22.3	23.78	25.26	28.21	31.16	37.04	42.91	48.75	54.56
	1400	13.59	15.28	16.97	18.65	20.34	22.02	23.71	25.39	27.07	28.75	32.1	35.45	42.13	48.77	55.38	61.95
	1600	15.22	17.11	19	20.88	22.77	24.65	26.53	28.41	30.29	32.17	35.91	39.65	47.09	54.49	61.82	69.1
	1800	16.82	18.91	20.99	23.08	25.16	27.24	29.31	31.39	33.46	35.53	39.65	43.77	51.95	60.06	68.1	76.05
	2000	18.4	20.69	22.96	25.24	27.51	29.79	32.05	34.32	36.58	38.83	43.33	47.81	56.71	65.52	74.22	82.8
	2400	21.52	24.19	26.85	29.5	32.15	34.8	37.44	40.07	42.69	45.31	50.53	55.72	65.98	76.09	86.01	95.72
	2800	24.59	27.63	30.66	33.69	36.7	39.71	42.71	45.69	48.67	51.64	57.54	63.39	74.92	86.19	97.18	107.83
	3200	27.62	31.03	34.42	37.8	41.17	44.53	47.88	51.21	54.52	57.82	64.36	70.83	83.52	95.83	107.7	-
	3600	30.62	34.38	38.13	41.86	45.58	49.27	52.95	56.61	60.24	63.85	71.01	78.05	91.78	104.96	-	-
	4000	33.58	37.69	41.78	45.86	49.91	53.93	57.93	61.9	65.83	69.74	77.46	85.02	99.66	-	-	-
	4400	36.51	40.96	45.39	49.79	54.16	58.5	62.8	67.07	71.29	75.47	83.7	91.74	107.15	-	-	-
4800	39.4	44.19	48.95	53.67	58.35	62.99	67.58	72.12	76.61	81.04	89.74	98.18	-	-	-	-	
5200	42.27	47.38	52.46	57.48	62.46	67.38	72.24	77.04	81.78	86.44	95.55	-	-	-	-	-	
<b>60MM WIDE</b>																	
Smallest Sprocket RPM	1160	19.88	22.35	24.82	27.29	29.76	32.23	34.7	37.16	39.63	42.09	47.01	51.92	61.73	71.51	81.25	90.96
	1460	24.14	27.14	30.14	33.13	36.12	39.12	42.1	45.09	48.07	51.06	57.01	62.95	74.79	86.57	98.28	109.91
	1750	28.15	31.65	35.14	38.62	42.11	45.59	49.07	52.54	56.01	59.47	66.38	73.28	86.99	100.6	114.08	127.43
	2900	43.46	48.83	54.18	59.52	64.85	70.15	75.44	80.71	85.97	91.2	101.59	111.89	132.17	151.97	171.2	189.81
	3500	51.21	57.51	63.78	70.03	76.25	82.45	88.61	94.74	100.84	106.9	118.91	130.75	153.85	176.11	-	-
	10	0.29	0.33	0.37	0.4	0.44	0.48	0.51	0.55	0.58	0.62	0.69	0.77	0.91	1.06	1.21	1.35
	20	0.52	0.59	0.66	0.72	0.79	0.85	0.92	0.98	1.05	1.11	1.24	1.37	1.63	1.9	2.16	2.42
	40	0.98	1.11	1.23	1.35	1.47	1.6	1.72	1.84	1.96	2.09	2.33	2.58	3.07	3.56	4.05	4.53
	60	1.43	1.61	1.79	1.97	2.15	2.33	2.51	2.68	2.86	3.04	3.4	3.75	4.47	5.18	5.9	6.61
	100	2.31	2.59	2.88	3.17	3.46	3.74	4.03	4.32	4.6	4.89	5.47	6.04	7.19	8.34	9.48	10.63
	200	4.36	4.9	5.44	5.98	6.52	7.07	7.61	8.15	8.69	9.23	10.32	11.4	13.57	15.74	17.91	20.07
	300	6.26	7.04	7.81	8.59	9.37	10.15	10.93	11.71	12.49	13.26	14.82	16.38	19.49	22.6	25.71	28.83
	400	8.05	9.05	10.05	11.05	12.05	13.06	14.06	15.06	16.06	17.06	19.06	21.06	25.07	29.07	33.07	37.06
	500	9.76	10.97	12.18	13.4	14.61	15.83	17.04	18.25	19.46	20.68	23.1	25.53	30.38	35.22	40.07	44.91
	600	11.4	12.82	14.24	15.65	17.07	18.49	19.91	21.32	22.74	24.16	26.99	29.82	35.49	41.14	46.8	52.44
	800	14.54	16.35	18.16	19.97	21.78	23.58	25.39	27.2	29	30.81	34.42	38.03	45.24	52.44	59.62	66.8
	1000	17.55	19.73	21.91	24.09	26.27	28.45	30.63	32.81	34.99	37.16	41.51	45.86	54.54	63.19	71.83	80.44
	1200	20.46	23	25.54	28.08	30.62	33.16	35.7	38.24	40.77	43.3	48.36	53.42	63.51	73.56	83.57	93.54
	1400	23.3	26.19	29.09	31.98	34.87	37.76	40.64	43.53	46.41	49.29	55.04	60.78	72.22	83.61	94.94	106.19
	1600	26.09	29.33	32.56	35.8	39.03	42.26	45.49	48.71	51.93	55.14	61.57	67.97	80.73	93.4	105.99	118.46
	1800	28.84	32.41	35.99	39.56	43.13	46.69	50.25	53.81	57.36	60.9	67.98	75.03	89.06	102.97	116.75	130.38
	2000	31.55	35.46	39.37	43.27	47.17	51.06	54.95	58.83	62.7	66.57	74.28	81.96	97.22	112.32	127.24	141.95
	2400	36.9	41.46	46.02	50.57	55.12	59.65	64.18	68.69	73.19	77.68	86.63	95.51	113.11	130.43	147.44	164.09
	2800	42.16	47.37	52.56	57.75	62.92	68.07	73.21	78.33	83.44	88.53	98.64	108.67	128.43	147.76	166.59	184.85
	3200	47.35	53.19	59.01	64.81	70.58	76.34	82.07	87.78	93.46	99.12	110.34	121.43	143.18	164.28	184.63	-
	3600	52.49	58.94	65.36	71.76	78.13	84.47	90.77	97.04	103.27	109.47	121.72	133.8	157.33	179.94	-	-
	4000	57.56	64.61	71.63	78.61	85.55	92.45	99.3	106.11	112.86	119.56	132.78	145.75	170.85	-	-	-
	4400	62.58	70.22	77.82	85.36	92.85	100.29	107.66	114.97	122.22	129.39	143.49	157.27	183.69	-	-	-
4800	67.55	75.76	83.92	92.01	100.03	107.98	115.85	123.63	131.33	138.93	153.84	168.31	-	-	-	-	
5200	72.45	81.23	89.93	98.54	107.07	115.51	123.84	132.07	140.19	148.18	163.79	-	-	-	-	-	

# QT Power Chain Horsepower Ratings 14M

## 20MM WIDE

The following tables represent the horsepower ratings for each belt at the pre-determined No. of Teeth, Pitch Diameters and RPMs. These ratings must be multiplied by the applicable belt length factor to obtain corrected HP rating.

No Teeth	28	29	30	32	34	36	38	40	44	48	52	56	60	64	68	72	80
	PD (in.)	4.913	5.088	5.263	5.614	5.965	6.316	6.667	7.018	7.720	8.421	9.123	9.825	10.527	11.229	11.930	12.632
1160	28.63	29.78	30.92	33.20	35.48	37.75	40.02	42.29	46.81	51.31	55.79	60.25	64.69	69.10	73.49	77.85	86.48
1460	34.68	36.06	37.43	40.18	42.92	45.66	48.39	51.11	56.52	61.90	67.24	72.54	77.79	82.99	88.14	93.24	103.25
1750	40.33	41.93	43.52	46.70	49.86	53.02	56.16	59.29	65.50	71.65	77.74	83.75	89.68	95.53	101.29	106.95	117.96
2900	61.42	63.78	66.13	70.79	75.40	79.95	84.45	88.89	97.57	105.96	-	-	-	-	-	-	-
3500	71.67	74.36	77.04	82.32	87.51	92.60	97.60	102.49	-	-	-	-	-	-	-	-	-
10	0.44	0.46	0.48	0.52	0.55	0.59	0.62	0.66	0.73	0.80	0.87	0.94	1.01	1.09	1.16	1.23	1.37
20	0.78	0.81	0.84	0.90	0.97	1.03	1.09	1.15	1.28	1.40	1.53	1.65	1.78	1.90	2.03	2.15	2.40
40	1.45	1.50	1.56	1.68	1.79	1.91	2.03	2.14	2.37	2.61	2.84	3.07	3.30	3.53	3.77	4.00	4.46
60	2.10	2.18	2.27	2.44	2.60	2.77	2.94	3.11	3.45	3.78	4.12	4.46	4.79	5.13	5.47	5.81	6.48
100	3.37	3.50	3.64	3.91	4.18	4.45	4.72	4.99	5.53	6.07	6.61	7.15	7.69	8.23	8.77	9.31	10.39
200	6.34	6.59	6.84	7.35	7.86	8.37	8.88	9.39	10.40	11.42	12.44	13.45	14.47	15.48	16.50	17.51	19.55
400	11.67	12.14	12.61	13.54	14.48	15.41	16.35	17.28	19.15	21.02	22.89	24.76	26.63	28.49	30.36	32.22	35.94
600	16.50	17.16	17.82	19.14	20.46	21.78	23.10	24.42	27.06	29.69	32.32	34.95	37.58	40.20	42.82	45.43	50.65
800	21.01	21.85	22.69	24.37	26.05	27.72	29.40	31.08	34.42	37.76	41.10	44.42	47.74	51.06	54.36	57.65	64.21
1000	25.31	26.32	27.33	29.35	31.36	33.38	35.39	37.40	41.42	45.42	49.41	53.38	57.34	61.29	65.21	69.12	76.89
1200	29.45	30.63	31.80	34.15	36.49	38.82	41.16	43.49	48.13	52.75	57.35	61.93	66.49	71.01	75.51	79.97	88.81
1400	33.49	34.82	36.15	38.81	41.46	44.10	46.74	49.37	54.61	59.82	65.00	70.14	75.24	80.29	85.30	90.26	100.02
1600	37.43	38.91	40.39	43.35	46.30	49.24	52.17	55.09	60.90	66.66	72.37	78.03	83.62	89.15	94.61	100.00	110.54
1800	41.29	42.92	44.55	47.80	51.04	54.26	57.47	60.67	67.01	73.29	79.49	85.62	91.66	97.60	103.45	109.19	-
2000	45.08	46.86	48.63	52.16	55.67	59.17	62.64	66.10	72.95	79.70	86.36	92.91	99.34	105.64	111.81	-	-
2400	52.48	54.53	56.57	60.63	64.66	68.66	72.63	76.56	84.32	91.92	99.34	106.57	-	-	-	-	-
2800	59.66	61.96	64.25	68.80	73.30	77.75	82.15	86.49	95.01	103.27	-	-	-	-	-	-	-
3200	66.61	69.14	71.66	76.64	81.56	86.41	91.17	95.86	104.96	-	-	-	-	-	-	-	-
3600	73.33	76.07	78.79	84.17	89.44	94.61	99.67	-	-	-	-	-	-	-	-	-	-
4000	79.81	82.74	85.64	91.34	96.91	-	-	-	-	-	-	-	-	-	-	-	-

## 42MM WIDE

1160	60.13	62.53	64.93	69.72	74.50	79.27	84.04	88.80	98.29	107.75	117.16	126.53	135.85	145.12	154.33	163.49	181.61
1460	72.82	75.72	78.61	84.38	90.14	95.88	101.61	107.32	118.69	129.99	141.20	152.33	163.36	174.28	185.10	195.80	216.82
1750	84.69	88.04	91.39	98.06	104.71	111.33	117.93	124.50	137.55	150.47	163.25	175.87	188.33	200.61	212.70	224.59	247.72
2900	128.98	133.93	138.87	148.65	158.33	167.90	177.35	186.66	204.89	222.52	-	-	-	-	-	-	-
3500	150.51	156.16	161.78	172.87	183.77	194.47	204.96	215.22	-	-	-	-	-	-	-	-	-
10	0.93	0.97	1.01	1.08	1.16	1.23	1.31	1.38	1.53	1.68	1.83	1.98	2.13	2.28	2.43	2.58	2.88
20	1.64	1.70	1.77	1.90	2.03	2.16	2.29	2.42	2.69	2.95	3.21	3.47	3.74	4.00	4.26	4.52	5.05
40	3.04	3.16	3.28	3.52	3.77	4.01	4.25	4.50	4.98	5.47	5.96	6.45	6.93	7.42	7.91	8.40	9.37
60	4.41	4.59	4.76	5.12	5.47	5.82	6.18	6.53	7.24	7.95	8.65	9.36	10.07	10.78	11.48	12.19	13.61
100	7.07	7.35	7.64	8.20	8.77	9.34	9.91	10.47	11.61	12.74	13.88	15.01	16.15	17.28	18.42	19.55	21.82
200	13.31	13.84	14.37	15.44	16.51	17.58	18.64	19.71	21.85	23.98	26.11	28.25	30.38	32.51	34.65	36.78	41.05
400	24.51	25.49	26.47	28.44	30.40	32.37	34.33	36.30	40.22	44.15	48.07	51.99	55.91	59.83	63.75	67.66	75.48
600	34.64	36.03	37.42	40.19	42.96	45.74	48.51	51.28	56.82	62.35	67.88	73.40	78.91	84.42	89.92	95.41	106.36
800	44.11	45.88	47.64	51.17	54.70	58.22	61.74	65.26	72.29	79.30	86.30	93.29	100.26	107.22	114.15	121.07	134.84
1000	53.14	55.26	57.39	61.63	65.86	70.10	74.32	78.55	86.97	95.38	103.75	112.10	120.42	128.70	136.95	145.16	161.46
1200	61.85	64.32	66.78	71.71	76.62	81.53	86.43	91.32	101.07	110.78	120.45	130.06	139.62	149.12	158.57	167.94	186.49
1400	70.32	73.12	75.91	81.49	87.06	92.61	98.16	103.68	114.69	125.63	136.50	147.29	158.00	168.61	179.13	189.54	210.04
1600	78.60	81.71	84.83	91.04	97.23	103.41	109.56	115.70	127.90	140.00	151.99	163.86	175.61	187.22	198.68	210.00	232.13
1800	86.71	90.13	93.55	100.38	107.18	113.95	120.69	127.40	140.72	153.91	166.93	179.80	192.48	204.96	217.25	229.31	-
2000	94.67	98.40	102.12	109.53	116.91	124.25	131.55	138.81	153.19	167.38	181.36	195.10	208.60	221.84	234.79	-	-
2400	110.22	114.52	118.80	127.33	135.79	144.19	152.53	160.79	177.07	193.02	208.61	223.80	-	-	-	-	-
2800	125.28	130.11	134.92	144.47	153.92	163.27	172.51	181.63	199.51	216.86	-	-	-	-	-	-	-
3200	139.88	145.20	150.48	160.95	171.28	181.45	191.46	201.30	220.42	-	-	-	-	-	-	-	-
3600	153.99	159.75	165.47	176.75	187.83	198.69	209.31	-	-	-	-	-	-	-	-	-	-
4000	167.60	173.75	179.84	191.81	203.51	-	-	-	-	-	-	-	-	-	-	-	-

# QT Power Chain Horsepower Ratings 14M

## 65MM WIDE

The following tables represent the horsepower ratings for each belt at the pre-determined No. of Teeth, Pitch Diameters and RPMs. These ratings must be multiplied by the applicable belt length factor to obtain corrected HP rating.

	No Teeth	28	29	30	32	34	36	38	40	44	48	52	56	60	64	68	72	80
	PD (in.)	4.913	5.088	5.263	5.614	5.965	6.316	6.667	7.018	7.720	8.421	9.123	9.825	10.527	11.229	11.930	12.632	14.036
Smallest Sprocket RPM	1160	93.06	96.77	100.48	107.89	115.30	122.69	130.06	137.43	152.12	166.75	181.32	195.82	210.24	224.59	238.85	253.01	281.06
	1460	112.70	117.18	121.65	130.59	139.50	148.39	157.25	166.09	183.69	201.18	218.53	235.75	252.81	269.72	286.46	303.02	335.55
	1750	131.07	136.26	141.43	151.76	162.05	172.30	182.51	192.68	212.88	232.87	252.64	272.18	291.46	310.46	329.18	347.58	383.37
	2900	199.61	207.28	214.91	230.06	245.04	259.85	274.47	288.89	317.09	344.38	-	-	-	-	-	-	-
	3500	232.93	241.68	250.37	267.53	284.41	300.97	317.20	333.08	-	-	-	-	-	-	-	-	-
	10	1.44	1.50	1.56	1.67	1.79	1.91	2.02	2.14	2.37	2.60	2.83	3.06	3.30	3.53	3.76	3.99	4.45
	20	2.53	2.63	2.73	2.94	3.14	3.34	3.55	3.75	4.16	4.56	4.97	5.37	5.78	6.19	6.59	7.00	7.81
	40	4.70	4.89	5.08	5.45	5.83	6.21	6.58	6.96	7.71	8.47	9.22	9.98	10.73	11.48	12.24	12.99	14.50
	60	6.82	7.10	7.37	7.92	8.47	9.01	9.56	10.11	11.20	12.30	13.39	14.49	15.58	16.68	17.77	18.87	21.06
	100	10.94	11.38	11.82	12.70	13.58	14.45	15.33	16.21	17.97	19.72	21.48	23.23	24.99	26.74	28.50	30.26	33.77
	200	20.59	21.42	22.24	23.90	25.55	27.20	28.85	30.50	33.81	37.11	40.41	43.72	47.02	50.32	53.62	56.92	63.52
	400	37.93	39.45	40.97	44.01	47.05	50.09	53.13	56.17	62.25	68.32	74.40	80.47	86.53	92.59	98.65	104.71	116.81
	600	53.61	55.76	57.91	62.20	66.49	70.78	75.07	79.36	87.93	96.49	105.05	113.59	122.12	130.65	139.16	147.65	164.61
	800	68.27	71.00	73.73	79.19	84.65	90.10	95.55	101.00	111.87	122.73	133.56	144.38	155.17	165.93	176.66	187.37	208.68
	1000	82.24	85.53	88.81	95.38	101.93	108.48	115.03	121.56	134.60	147.61	160.57	173.49	186.36	199.18	211.95	224.66	249.88
	1200	95.72	99.54	103.35	110.97	118.58	126.18	133.76	141.33	156.42	171.45	186.40	201.28	216.08	230.79	245.40	259.91	288.62
	1400	108.83	113.16	117.48	126.12	134.74	143.33	151.91	160.46	177.50	194.43	211.25	227.95	244.52	260.94	277.22	293.34	325.06
	1600	121.64	126.46	131.28	140.89	150.48	160.04	169.56	179.06	197.93	216.66	235.22	253.59	271.77	289.74	307.49	324.99	359.24
	1800	134.19	139.49	144.79	155.35	165.87	176.35	186.78	197.17	217.79	238.19	258.35	278.25	297.88	317.21	336.21	354.88	-
	2000	146.52	152.29	158.04	169.51	180.93	192.29	203.59	214.82	237.08	259.04	280.67	301.95	322.84	343.32	363.37	-	-
2400	170.58	177.23	183.86	197.06	210.16	223.16	236.05	248.84	274.04	298.73	322.85	346.35	-	-	-	-	-	
2800	193.89	201.37	208.81	223.58	238.21	252.68	266.98	281.10	308.77	335.62	-	-	-	-	-	-	-	
3200	216.48	224.71	232.89	249.10	265.08	280.82	296.31	311.54	341.13	-	-	-	-	-	-	-	-	
3600	238.32	247.23	256.08	273.54	290.69	307.49	323.94	-	-	-	-	-	-	-	-	-	-	
4000	259.38	268.90	278.32	296.85	314.95	-	-	-	-	-	-	-	-	-	-	-	-	

## 90MM WIDE

Smallest Sprocket RPM	1160	128.85	133.99	139.13	149.39	159.64	169.87	180.09	190.29	210.63	230.89	251.06	271.13	291.11	310.97	330.71	350.33	389.16
	1460	156.05	162.25	168.44	180.81	193.15	205.46	217.74	229.98	254.34	278.55	302.58	326.42	350.05	373.46	396.64	419.56	464.61
	1750	181.48	188.66	195.83	210.13	224.38	238.57	252.71	266.79	294.75	322.43	349.81	376.86	403.56	429.87	455.78	481.26	530.83
	2900	276.38	287.00	297.57	318.54	339.29	359.79	380.03	400.00	439.05	476.83	-	-	-	-	-	-	-
	3500	322.52	334.64	346.66	370.43	393.79	416.72	439.20	461.19	-	-	-	-	-	-	-	-	-
	10	2.00	2.08	2.16	2.32	2.48	2.64	2.80	2.96	3.28	3.60	3.92	4.24	4.56	4.88	5.20	5.52	6.17
	20	3.50	3.64	3.79	4.07	4.35	4.63	4.91	5.19	5.75	6.32	6.88	7.44	8.00	8.57	9.13	9.69	10.82
	40	6.51	6.77	7.03	7.55	8.07	8.59	9.12	9.64	10.68	11.73	12.77	13.81	14.86	15.90	16.95	17.99	20.08
	60	9.45	9.83	10.21	10.96	11.72	12.48	13.24	14.00	15.51	17.03	18.54	20.06	21.58	23.09	24.61	26.12	29.16
	100	15.15	15.76	16.37	17.58	18.80	20.01	21.23	22.44	24.88	27.31	29.74	32.17	34.60	37.03	39.46	41.89	46.75
	200	28.51	29.66	30.80	33.09	35.37	37.66	39.95	42.24	46.81	51.38	55.96	60.53	65.10	69.67	74.25	78.82	87.96
	400	52.52	54.62	56.73	60.94	65.15	69.36	73.57	77.78	86.19	94.60	103.01	111.41	119.81	128.21	136.60	144.98	161.74
	600	74.23	77.20	80.18	86.12	92.07	98.01	103.95	109.88	121.75	133.61	145.45	157.28	169.09	180.89	192.68	204.44	227.92
	800	94.53	98.31	102.09	109.65	117.21	124.76	132.30	139.84	154.90	169.93	184.94	199.91	214.85	229.75	244.61	259.43	288.95
	1000	113.87	118.42	122.97	132.06	141.14	150.21	159.27	168.31	186.37	204.38	222.33	240.22	258.04	275.79	293.47	311.06	345.99
	1200	132.54	137.82	143.11	153.66	164.19	174.71	185.21	195.69	216.58	237.39	258.10	278.70	299.19	319.55	339.79	359.88	399.62
	1400	150.69	156.68	162.67	174.63	186.56	198.46	210.33	222.18	245.77	269.21	292.50	315.62	338.56	361.31	383.84	406.16	450.08
	1600	168.42	175.10	181.77	195.08	208.36	221.59	234.78	247.92	274.06	299.99	325.68	351.13	376.30	401.18	425.75	449.99	497.41
	1800	185.80	193.14	200.47	215.10	229.66	244.17	258.62	273.00	301.55	329.80	357.72	385.28	412.45	439.21	465.53	491.38	-
	2000	202.87	210.86	218.83	234.71	250.52	266.25	281.89	297.45	328.27	358.67	388.62	418.08	447.01	475.37	503.13	-	-
2400	236.18	245.39	254.58	272.85	290.99	308.99	326.84	344.54	379.44	413.62	447.02	479.57	-	-	-	-	-	
2800	268.46	278.81	289.12	309.58	329.83	349.86	369.66	389.22	427.53	464.70	-	-	-	-	-	-	-	
3200	299.74	311.14	322.46	344.90	367.03	388.83	410.28	431.36	472.34	-	-	-	-	-	-	-	-	
3600	329.98	342.33	354.57	378.75	402.49	425.76	448.53	-	-	-	-	-	-	-	-	-	-	
4000	359.14	372.32	385.37	411.03	436.09	-	-	-	-	-	-	-	-	-	-	-	-	

# QT Power Chain Horsepower Ratings 14M

## 120MM WIDE

The following tables represent the horsepower ratings for each belt at the pre-determined No. of Teeth, Pitch Diameters and RPMs. These ratings must be multiplied by the applicable belt length factor to obtain corrected HP rating.

Smallest Sprocket RPM	No Teeth	28	29	30	32	34	36	38	40	44	48	52	56	60	64	68	72	80
	PD (in.)	4.913	5.088	5.263	5.614	5.965	6.316	6.667	7.018	7.720	8.421	9.123	9.825	10.527	11.229	11.930	12.632	14.036
1160	171.80	178.66	185.51	199.19	212.85	226.50	240.12	253.72	280.84	307.85	334.74	361.51	388.14	414.62	440.95	467.10	518.87	
1460	208.06	216.33	224.59	241.08	257.54	273.95	290.31	306.63	339.13	371.40	403.44	435.22	466.73	497.95	528.85	559.42	619.48	
1750	241.98	251.55	261.11	280.17	299.17	318.10	336.95	355.72	393.00	429.91	466.42	502.48	538.08	573.17	607.71	641.68	707.77	
2900	368.50	382.66	396.76	424.73	452.38	479.72	506.71	533.33	585.40	635.78	-	-	-	-	-	-	-	
3500	430.02	446.18	462.22	493.91	525.06	555.63	585.59	614.92	-	-	-	-	-	-	-	-	-	
10	2.66	2.77	2.88	3.09	3.30	3.52	3.73	3.95	4.37	4.80	5.23	5.66	6.08	6.51	6.94	7.37	8.22	
20	4.67	4.86	5.05	5.42	5.80	6.17	6.55	6.92	7.67	8.42	9.17	9.92	10.67	11.42	12.17	12.92	14.42	
40	8.67	9.02	9.37	10.07	10.76	11.46	12.15	12.85	14.24	15.63	17.03	18.42	19.81	21.20	22.59	23.99	26.77	
60	12.60	13.10	13.61	14.62	15.63	16.64	17.65	18.66	20.68	22.70	24.73	26.75	28.77	30.79	32.81	34.83	38.88	
100	20.20	21.01	21.82	23.44	25.06	26.68	28.30	29.93	33.17	36.41	39.65	42.89	46.13	49.37	52.62	55.86	62.34	
200	38.02	39.54	41.07	44.12	47.17	50.22	53.27	56.32	62.41	68.51	74.61	80.71	86.80	92.90	98.99	105.09	117.27	
400	70.02	72.83	75.64	81.25	86.87	92.48	98.09	103.70	114.92	126.14	137.35	148.55	159.75	170.94	182.13	193.31	215.65	
600	98.97	102.94	106.90	114.83	122.76	130.68	138.60	146.51	162.33	178.14	193.93	209.70	225.46	241.19	256.90	272.59	303.89	
800	126.03	131.08	136.12	146.20	156.27	166.34	176.40	186.45	206.53	226.58	246.58	266.54	286.46	306.33	326.15	345.91	385.26	
1000	151.83	157.90	163.96	176.08	188.19	200.28	212.36	224.42	248.50	272.51	296.44	320.29	344.05	367.72	391.29	414.75	461.32	
1200	176.72	183.77	190.81	204.88	218.92	232.94	246.94	260.91	288.78	316.52	344.13	371.60	398.92	426.07	453.05	479.84	532.83	
1400	200.92	208.91	216.89	232.84	248.74	264.61	280.45	296.24	327.69	358.95	390.00	420.83	451.41	481.74	511.79	541.55	600.11	
1600	224.56	233.46	242.36	260.11	277.81	295.45	313.04	330.56	365.42	399.99	434.25	468.17	501.73	534.91	567.67	599.99	663.22	
1800	247.73	257.52	267.30	286.79	306.22	325.56	344.82	364.00	402.07	439.73	476.95	513.70	549.93	585.61	620.70	655.17	-	
2000	270.49	281.14	291.77	312.95	334.03	355.00	375.86	396.60	437.69	478.23	518.16	557.44	596.01	633.83	670.84	-	-	
2400	314.91	327.19	339.43	363.79	387.98	411.98	435.79	459.39	505.92	551.50	596.03	639.42	-	-	-	-	-	
2800	357.95	371.75	385.49	412.77	439.78	466.49	492.88	518.96	570.04	619.60	-	-	-	-	-	-	-	
3200	399.65	414.85	429.95	459.87	489.37	518.44	547.03	575.14	629.78	-	-	-	-	-	-	-	-	
3600	439.97	456.43	472.76	505.00	536.65	567.67	598.04	-	-	-	-	-	-	-	-	-	-	
4000	478.85	496.43	513.82	548.04	581.45	-	-	-	-	-	-	-	-	-	-	-	-	

# Timing Sprockets & Belts

**C3**



- **Freedom from high tension**
- **No lubrication required**
- **Compact design**



# Timing Belt Drives

---

## Features

Timing Belt Drives take their place in industry as a highly efficient, job-proved medium for mechanical power transmission. This drive combines the advantages of the chain and gear with advantages of the belt, but without the limitations usually associated with these drives.

Timing Belt Drives make possible important savings in weight, space and construction without the sacrifice of efficiency.

They are adaptable to almost any kind of power transmission drive.

Timing Belt Drives are being used by virtually every industry. They have been adopted as standard equipment by a wide variety of machine builders and equipment manufacturers.

- **positive—slip-proof . . .**

Positive grip of belt teeth with sprocket grooves eliminates slippage, speed variation. There's no initial stretch, no elongation to require belt take-up.

- **no lubrication . . .**

Absence of metal-to-metal contact eliminates the need for lubricating systems, oil-retaining devices—and their nuisance, cost, weight, and possibility of product contamination.

- **wide capacity range . . .**

The load capacities of synchronous belt drives range from subfractional horsepower to 600 hp and up.

- **freedom from high tension . . .**

Since the synchronous belt drive does not rely on friction, there is no need for high tension. Thus, overhung bearing loads are reduced to a minimum.

- **constant angular velocity . . .**

Speed is transmitted *uniformly*. There is no chordal rise and fall of pitch line as with roller chain, no belt creep or slippage—thus no chatter or vibration.

- **compact design . . .**

Small sprockets, short centers, narrow belts, high capacity—all these inherent features can be combined to reduce space requirements.

- **minimum backlash . . .**

Because of advanced design, backlash—between the teeth and the stock belts and the grooves of stock sprockets—is reduced to a negligible minimum.

- **high efficiency . . .**

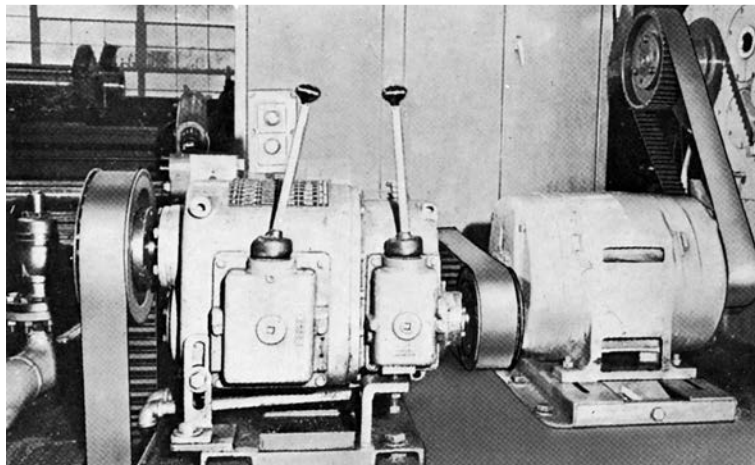
Three factors—inherent elimination of friction, lack of high tension, and the belt's thin construction—contribute to the drive's unusually high mechanical efficiency.

- **light weight . . .**

The horsepower-to-weight ratio is high—an important consideration where weight is a critical factor, as on portable equipment.

- **economical operation . . .**

By comparison with other systems, a synchronous belt drive generally is the least costly. The cost of the drive itself is the only expense. Synchronous belt drives do not require motor bases, lubrication systems or tensioning devices. Maintenance costs are minimal.



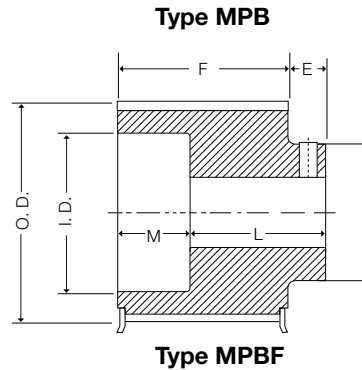
**Three Timing Belt Drives on a Niles Boring Lathe**

# Timing Sprocket XL

## Dimensions

The Timing Sprockets listed below are all carried in stock with a minimum plain bore only but can be re-bored to any size within the bore range.

In the "type" column, the first letter indicates the type sketch, the figure describes the construction (1—Solid, no web; 2—Web) and the letter F indicates the sprocket has flanges.



PRODUCT NUMBER	NUMBER OF GROOVES	PITCH DIAM.	O.D.		TYPE	DIMENSIONS, IN.			BORE RANGE		WT. Lbs. App.
			Sprocket	Flange		E	L	H	Min.	Max.*	
<b>Sprockets stocked in 3/8 inch (XL037) width only for belts 1/4 inch (XL025) 3/8 inch (XL037) wide • Face Width (F) = 9/16</b>											
10XL037	10	.637	.617	.88	MPB1F	1/4	13/16	7/16	3/16	1/4	.03
11XL037	11	.700	.680	.88	MPB1F	1/4	13/16	1/2	3/16	5/16	.03
12XL037	12	.764	.744	1.00	MPB1F	1/4	13/16	1/2	3/16	5/16	.06
14XL037	14	.891	.871	1.09	MPB1F	1/4	13/16	9/16	1/4	3/8	.06
15XL037	15	.955	.935	1.18	MPB1F	1/4	13/16	5/8	1/4	7/16	.09
16XL037	16	1.019	.999	1.25	MPB1F	1/4	13/16	11/16	1/4	1/2	.09
18XL037	18	1.146	1.126	1.38	MPB1F	1/4	13/16	13/16	1/4	9/16	.13
20XL037	20	1.273	1.253	1.50	MPB1F	5/16	7/8	15/16	1/4	11/16	.19
21XL037	21	1.337	1.317	1.56	MPB1F	5/16	7/8	1	1/4	3/4	.19
22XL037	22	1.401	1.381	1.63	MPB1F	5/16	7/8	1	1/4	3/4	.22
24XL037	24	1.528	1.508	1.75	MPB1F	11/32	29/32	1-1/16	1/4	13/16	.25
28XL037	28	1.783	1.763	2.00	MPB1F	11/32	29/32	1-3/16	1/4	15/16	.34
30XL037	30	1.910	1.890	2.12	MPB1F	11/32	29/32	1-5/16	5/16	1	.41
32XL037	32	2.037	2.017	-	MPB1	7/16	1	1-1/2	5/16	1-3/16	.22
36XL037	36	2.292	2.272	-	MPB1	7/16	1	1-1/2	5/16	1-3/16	.30
40XL037	40	2.546	2.526	-	MPB1	7/16	1	1-1/2	5/16	1-3/16	.31
42XL037	42	2.674	2.654	-	MPB1	7/16	1	1-1/2	5/16	1-3/16	.31
44XL037	44	2.801	2.781	-	MPB1	7/16	1	1-1/2	5/16	1-3/16	.31
48XL037	48	3.056	3.036	-	MPB1	7/16	1	1-1/2	5/16	1-3/16	.38
60XL037MPB	60	3.820	3.800	-	MPB2	7/16	1	1-1/2	3/8	1-3/16	.38
72XL037	72	4.584	4.564	-	MPB2	7/16	1	1-1/2	3/8	1-3/16	.50

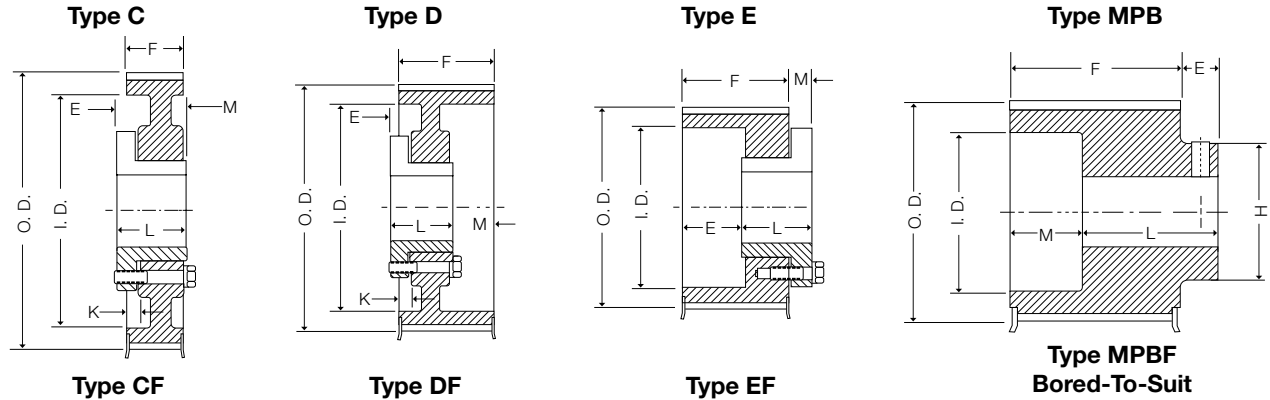
Bored-to-suit construction, minimum plain bore with 2 setscrews.

\*Maximum bore without keyseat.

# Timing Sprocket L

## Dimensions

The Timing Sprockets listed below and on the following pages are all stock sizes. The dimensions given are with the Sure-Grip bushings in place. The figure following the type sketch letter in the "type" column indicates the construction: (1—Solid, 2—Web, 3—Arms), and the letter F indicates the sprocket has flanges.



PRODUCT NUMBER	NUMBER OF GROOVES	PITCH DIAM.	O.D.		I.D.	BUSH.	TYPE	DIMENSIONS, INCHES					BORE RANGE		WT.
			Sprocket	Flange				E	L	M	K	H	Min.	Max.	
<b>For belts 1/2 inch wide • 3/8-inch pitch (L050) • Face Width (F) = 3/4</b>															
10L050	10	1.194	1.164	1.44	-	*	MPB1F	1/2	1-1/4	-	-	13/16	3/8*	1/2	.2
12L050	12	1.432	1.402	1.66	-	*	MPB1F	1/2	1-1/4	-	-	1	3/8*	11/16	.4
14L050	14	1.671	1.641	1.91	-	*	MPB1F	1/2	1-1/4	-	-	1-1/8	3/8*	3/4	.5
16L050	16	1.910	1.880	2.13	-	*	MPB1F	1/2	1-1/4	-	-	1-7/16	1/2*	1	.8
17L050	17	2.029	1.999	2.25	-	*	MPB1F	1/2	1-1/4	-	-	1-7/16	1/2*	1	.9
18L050	18	2.149	2.119	2.38	-	JA	E1F	7/32	1	15/32	-	-	1/2	1-1/4	.7
19L050	19	2.268	2.238	2.50	-	*	MPB1F	1/2	1-1/4	-	-	1-11/16	1/2*	1-3/16	1.1
20L050	20	2.387	2.357	2.62	-	JA	E1F	7/32	1	15/32	-	-	1/2	1-1/4	.9
21L050	21	2.507	2.477	2.75	-	*	MPB1F	1/2	1-1/4	-	-	2	1/2*	1-5/16	1.3
22L050	22	2.626	2.596	2.88	-	JA	D1F	15/32	1	7/32	0	-	1/2	1-1/4	1.1
24L050	24	2.865	2.835	3.09	-	SH	D1F	9/16	1-1/4	1/16	0	-	1/2	1-5/8	1.4
26L050	26	3.104	3.074	3.33	-	SH	D1F	9/16	1-1/4	1/16	0	-	1/2	1-5/8	1.6
26L050MPB	26	3.104	3.074	3.34	-	*	MPB1F	1/2	1-1/4	-	-	2-1/4	1/2*	1-5/8	2.3
28L050	28	3.342	3.312	3.56	-	SH	D1F	9/16	1-1/4	1/16	0	-	1/2	1-5/8	1.9
30L050	30	3.581	3.551	3.81	-	SDS	D1F	5/8	1-5/16	1/16	0	-	1/2	1-15/16	2.2
32L050	32	3.820	3.790	4.06	-	SDS	D1F	5/8	1-5/16	1/16	0	-	1/2	1-15/16	2.5
36L050	36	4.297	4.267	4.53	-	SDS	D1F	5/8	1-5/16	1/16	0	-	1/2	1-15/16	3.0
40L050	40	4.775	4.745	5.00	-	SDS	D1F	5/8	1-5/16	1/16	0	-	1/2	1-15/16	3.6
44L050	44	5.252	5.222	5.48	-	SDS	D1F	5/8	1-5/16	1/16	0	-	1/2	1-15/16	4.3
48L050	48	5.730	5.700	5.94	-	SDS	D1F	5/8	1-5/16	1/16	0	-	1/2	1-15/16	5.1
60L050	60	7.162	7.132	-	6.25	SD	C2	7/8	1-13/16	3/16	-1/4	-	1/2	1-15/16	5.9
72L050	72	8.594	8.564	-	7.62	SD	C3	7/8	1-13/16	3/16	-1/4	-	1/2	1-15/16	7.1
84L050	84	10.027	9.997	-	9.12	SD	C3	7/8	1-13/16	3/16	-1/4	-	1/2	1-15/16	9.0
96L050	96	11.459	11.429	-	10.50	SD	C3	7/8	1-13/16	3/16	-1/4	-	1/2	1-15/16	10.7
120L050	120	14.324	14.294	-	13.38	SD	C3	7/8	1-13/16	3/16	-1/4	-	1/2	1-15/16	13.6

\* Bored-to-suit construction, minimum plain bore, no setscrews.

Weights for all Sure-Grip bushed items are approximate and include the bushing.

Refer to page C1—18 for balancing standards.

# Timing Sprocket L

## Dimensions

PRODUCT NUMBER	NUMBER OF GROOVES	PITCH DIAM.	O.D.		I.D.	BUSH.	TYPE	DIMENSIONS, INCHES					BORE RANGE		WT.
			Sprocket	Flange				E	L	M	K	H	Min.	Max.	
<b>For belts 3/4 inch wide • 3/8-inch pitch (L075) • Face Width (F) = 1"</b>															
12L075	12	1.432	1.402	1.66	-	*	MPB1F	1/2	1-1/2	-	-	1	3/8*	11/16	.5
14L075	14	1.671	1.641	1.91	-	*	MPB1F	1/2	1-1/2	-	-	1-1/8	3/8*	3/4	.6
16L075	16	1.910	1.880	2.13	-	*	MPB1F	1/2	1-1/2	-	-	1-7/16	1/2*	1	.9
17L075	17	2.029	1.999	2.25	-	*	MPB1F	1/2	1-1/2	-	-	1-7/16	1/2*	1	1.0
18L075	18	2.149	2.119	2.38	-	JA	E1F	15/32	1	15/32	-	-	1/2	1-1/4	.8
19L075	19	2.268	2.238	2.50	-	*	MPB1F	1/2	1-1/2	-	-	1-11/16	1/2*	1-3/16	1.3
20L075	20	2.387	2.357	2.62	-	JA	E1F	15/32	1	15/32	-	-	1/2	1-1/4	1.1
21L075	21	2.507	2.477	2.75	-	*	MPB1F	1/2	1-1/2	-	-	2	1/2	1-5/16	1.5
22L075	22	2.626	2.596	2.88	1.88	JA	E1F	15/32	1	15/32	-	-	1/2	1-1/4	1.2
24L075	24	2.865	2.835	3.09	-	SH	D1F	5/16	1-1/4	5/16	0	-	1/2	1-5/8	1.6
26L075	26	3.104	3.074	3.33	-	SH	D1F	5/16	1-1/4	5/16	0	-	1/2	1-5/8	1.8
28L075	28	3.342	3.312	3.56	2.63	SH	D1F	5/16	1-1/4	5/16	0	-	1/2	1-5/8	2.1
30L075	30	3.581	3.551	3.81	-	SDS	D1F	5/8	1-5/16	5/16	0	-	1/2	1-15/16	2.5
32L075	32	3.820	3.790	4.06	-	SDS	D1F	5/8	1-5/16	5/16	0	-	1/2	1-15/16	2.8
36L075	36	4.297	4.267	4.53	3.38	SDS	D1F	3/8	1-5/16	1/16	1/4	-	1/2	1-15/16	3.3
40L075	40	4.775	4.745	5.00	3.75	SDS	D1F	3/8	1-5/16	1/16	1/4	-	1/2	1-15/16	4.0
44L075	44	5.252	5.222	5.48	4.25	SDS	D1F	3/8	1-5/16	1/16	1/4	-	1/2	1-15/16	4.8
48L075	48	5.730	5.700	5.94	4.75	SDS	D1F	3/8	1-5/16	1/16	1/4	-	1/2	1-15/16	5.6
60L075	60	7.162	7.132	-	6.25	SD	C2	3/4	1-13/16	1/16	-1/8	-	1/2	1-15/16	7.6
72L075	72	8.594	8.564	-	7.62	SD	C3	3/4	1-13/16	1/16	-1/8	-	1/2	1-15/16	7.8
84L075	84	10.027	9.997	-	9.12	SD	C3	3/4	1-13/16	1/16	-1/8	-	1/2	1-15/16	9.8
96L075	96	11.459	11.429	-	10.50	SD	C3	3/4	1-13/16	1/16	-1/8	-	1/2	1-15/16	11.7
120L075	120	14.324	14.294	-	13.38	SD	C3	3/4	1-13/16	1/16	-1/8	-	1/2	1-15/16	15.6
<b>For belts 1 inch wide • 3/8-inch pitch (L100) • Face Width (F) = 1-1/4"</b>															
14L100	14	1.671	1.641	1.91	-	*	MPBF	1/2	1-3/4	-	-	1-1/8	3/8*	3/4	.8
16L100	16	1.910	1.880	2.13	-	*	MPBF	1/2	1-3/4	-	-	1-7/16	1/2*	1	1.1
17L100	17	2.029	1.999	2.25	-	*	MPBF	1/2	1-3/4	-	-	1-7/16	1/2*	1	1.2
18L100	18	2.149	2.119	2.38	-	JA	E1F	23/32	1	15/32	-	-	1/2	1-1/4	1.0
19L100	19	2.268	2.238	2.50	-	*	MPBF	1/2	1-3/4	-	-	1-11/16	1/2*	1-3/16	1.6
20L100	20	2.387	2.357	2.62	-	JA	E1F	23/32	1	15/32	-	-	1/2	1-1/4	1.3
21L100	21	2.507	2.477	2.75	-	*	MPBF	1/2	1-3/4	-	-	2	5/8*	1-5/16	1.8
22L100	22	2.626	2.596	2.88	1.88	JA	E1F	23/32	1	15/32	-	-	1/2	1-1/4	1.3
24L100	24	2.865	2.835	3.09	-	SH	D1F	9/16	1-1/4	9/16	0	-	1/2	1-5/8	1.8
26L100	26	3.104	3.074	3.33	-	SH	D1F	9/16	1-1/4	9/16	0	-	1/2	1-5/8	2.0
28L100	28	3.342	3.312	3.56	2.63	SH	D1F	9/16	1-1/4	9/16	0	-	1/2	1-5/8	2.4
30L100	30	3.581	3.551	3.81	-	SDS	D1F	5/8	1-5/16	9/16	0	-	1/2	1-15/16	2.7
32L100	32	3.820	3.790	4.06	3.00	SDS	D1F	5/8	1-5/16	9/16	0	-	1/2	1-15/16	3.0
36L100	36	4.297	4.267	4.53	3.38	SDS	D1F	1/8	1-5/16	1/16	1/2	-	1/2	1-15/16	3.6
40L100	40	4.775	4.745	5.00	3.75	SDS	D1F	1/8	1-5/16	1/16	1/2	-	1/2	1-15/16	4.4
44L100	44	5.252	5.222	5.48	4.25	SDS	D1F	1/8	1-5/16	1/16	1/2	-	1/2	1-15/16	5.2
48L100	48	5.730	5.700	5.94	4.75	SDS	D1F	1/8	1-5/16	1/16	1/2	-	1/2	1-15/16	6.1
60L100	60	7.162	7.132	-	6.25	SD	D2	5/8	1-13/16	1/16	0	-	1/2	1-15/16	7.1
72L100	72	8.594	8.564	-	7.62	SD	D3	5/8	1-13/16	1/16	0	-	1/2	1-15/16	8.6
84L100	84	10.027	9.997	-	9.12	SD	D3	5/8	1-13/16	1/16	0	-	1/2	1-15/16	10.7
96L100	96	11.459	11.429	-	10.50	SD	D3	5/8	1-13/16	1/16	0	-	1/2	1-15/16	12.7
120L100	120	14.324	14.294	-	13.38	SD	D3	5/8	1-13/16	1/16	0	-	1/2	1-15/16	16.1

\* Bored-to-suit construction, minimum plain bore, no setscrews.

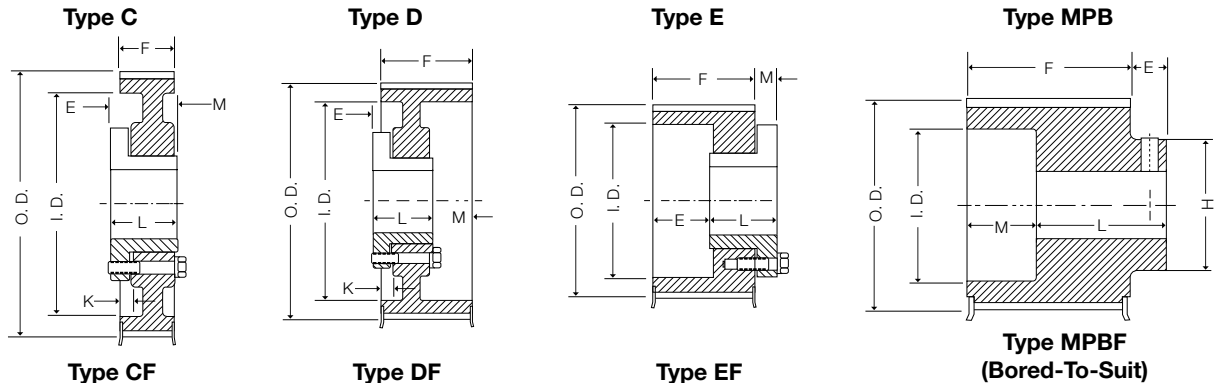
Weights for all Sure-Grip bushed items are approximate and include the bushing.

Refer to page C1—18 for balancing standards.

# Timing Sprocket H

## Dimensions

The Timing Sprockets listed below and on the following pages are all stock sizes. The dimensions given are with the Sure-Grip bushings in place. The figure following the type sketch letter in the "type" column indicates the construction: (1—Solid, 2—Web, 3—Arms), and the letter F indicates the sprocket has flanges.



PRODUCT NUMBER	NUMBER OF GROOVES	PITCH DIAM.	O.D.		I.D.	BUSH.	TYPE	DIMENSIONS, INCHES					BORE RANGE		WT.
			Sprocket	Flange				E	L	M	K	H	Min.	Max.	
<b>For belts 1 inch wide • 1/2-inch pitch (H100) also use for 3/4-inch (H075) belts Face Width (F) = 1-5/16 • 156 H100 F = 1-3/8</b>															
14H100MPB	14	2.228	2.174	2.50	-	*	MPB1F	9/16	1-7/8	-	-	1-5/8	5/8*	1-1/8	1.4
14H100	14	2.228	2.174	2.50	-	JA	E1F	25/32	1	15/32	-	-	1/2	1-1/4	1.1
16H100	16	2.546	2.492	2.78	-	JA	E1F	25/32	1	15/32	-	-	1/2	1-1/4	1.2
18H100	18	2.865	2.811	3.12	-	SH	E1F	5/8	1-1/4	9/16	-	-	1/2	1-11/16	1.8
19H100	19	3.024	2.970	3.25	-	*	MPB1F	11/16	2	-	-	2-3/8	5/8*	1-9/16	3.0
20H100MPB	20	3.183	3.129	3.42	-	*	MPB1F	13/16	2-1/8	-	-	2-1/2	5/8*	1-5/8	3.4
20H100	20	3.183	3.129	3.42	-	SH	E1F	5/8	1-1/4	9/16	-	-	1/2	1-11/16	2.2
21H100	21	3.342	3.288	3.58	2.63	SH	E1F	5/8	1-1/4	9/16	-	-	1/2	1-11/16	2.4
22H100	22	3.501	3.447	3.75	-	SDS	E1F	5/8	1-5/16	5/8	-	-	1/2	2	2.6
23H100	23	3.661	3.607	4.06	3.03	SDS	E1F	5/8	1-5/16	5/8	-	-	1/2	2	2.9
24H100	24	3.820	3.766	4.06	3.00	SDS	E1F	5/8	1-5/16	5/8	-	-	1/2	2	3.0
25H100	25	3.979	3.925	4.38	3.25	SDS	E1F	5/8	1-5/16	5/8	-	-	1/2	2	3.3
26H100	26	4.138	4.084	4.38	3.31	SDS	D1F	1/16	1-5/16	1/16	9/16	-	1/2	2	3.4
27H100	27	4.297	4.243	4.69	3.44	SDS	D1F	1/16	1-5/16	1/16	9/16	-	1/2	2	3.8
28H100	28	4.456	4.402	4.69	3.50	SDS	D1F	1/16	1-5/16	1/16	9/16	-	1/2	2	4.0
29H100	29	4.615	4.561	4.76	3.63	SDS	D1F	1/8	1-5/16	1/8	1/2	-	1/2	2	5.2
30H100	30	4.775	4.721	5.00	-	SD	D1F	5/8	1-13/16	1/8	0	-	1/2	2	5.7
31H100	31	4.934	4.880	5.31	-	SD	D1F	5/8	1-13/16	1/8	0	-	1/2	2	6.4
32H100	32	5.093	5.039	5.31	-	SK	D1F	23/32	1-7/8	5/32	0	-	1/2	2-5/8	6.6
33H100	33	5.252	5.198	5.31	-	SK	D1F	23/32	1-7/8	5/32	0	-	1/2	2-5/8	7.3
34H100	34	5.411	5.357	5.95	-	SK	D1F	23/32	1-7/8	5/32	0	-	1/2	2-5/8	7.7
35H100	35	5.570	5.516	5.95	-	SK	D1F	23/32	1-7/8	5/32	0	-	1/2	2-5/8	8.1
36H100	36	5.730	5.676	5.95	-	SK	D1F	23/32	1-7/8	5/32	0	-	1/2	2-5/8	8.4
37H100	37	5.889	5.835	6.38	-	SK	D1F	23/32	1-7/8	5/32	0	-	1/2	2-5/8	9.1
38H100	38	6.048	5.994	6.56	-	SK	D1F	23/32	1-7/8	5/32	0	-	1/2	2-5/8	9.6
39H100	39	6.207	6.153	6.60	-	SK	D1F	23/32	1-7/8	5/32	0	-	1/2	2-5/8	10.1
40H100	40	6.366	6.312	6.60	-	SK	D1F	23/32	1-7/8	5/32	0	-	1/2	2-5/8	10.4
41H100	41	6.525	6.471	6.77	-	SK	D1F	23/32	1-7/8	5/32	0	-	1/2	2-5/8	11.2
42H100	42	6.684	6.631	7.25	-	SK	D1F	23/32	1-7/8	5/32	0	-	1/2	2-5/8	11.8
43H100	43	6.844	6.790	7.25	-	SK	D1F	23/32	1-7/8	5/32	0	-	1/2	2-5/8	12.3
44H100	44	7.003	6.949	7.25	-	SK	D1F	23/32	1-7/8	5/32	0	-	1/2	2-5/8	12.6
45H100	45	7.162	7.108	7.54	-	SK	D1F	23/32	1-7/8	5/32	0	-	1/2	2-5/8	13.4
46H100	46	7.321	7.267	7.60	-	SK	D1F	23/32	1-7/8	5/32	0	-	1/2	2-5/8	14.1
48H100	48	7.639	7.585	7.88	-	SK	D1F	23/32	1-7/8	5/32	0	-	1/2	2-5/8	14.8
60H100	60	9.549	9.495	-	8.50	SF	C3	11/16	2	0	0	-	1/2	2-15/16	15.0
72H100	72	11.459	11.405	-	10.38	SF	C3	11/16	2	0	0	-	1/2	2-15/16	20.8
84H100	84	13.369	13.315	-	12.25	SF	C3	11/16	2	0	0	-	1/2	2-15/16	23.6
96H100	96	15.279	15.225	-	14.12	SF	C3	11/16	2	0	0	-	1/2	2-15/16	26.9
120H100	120	19.099	19.045	-	17.88	SF	C3	11/16	2	0	0	-	1/2	2-15/16	34.4
156H100	156	24.828	24.774	-	23.50	SF	C3	5/8	2	0	1/16	-	1/2	2-15/16	48.8

\* Bored-to-suit construction, minimum plain bore, no setscrews.

Weights for all Sure-Grip bushed items are approximate and include the bushing.

Refer to page C1—18 for balancing standards.

# Timing Sprocket H

## Dimensions

PRODUCT NUMBER	NUMBER OF GROOVES	PITCH DIAM.	O.D.		I.D.	BUSH.	TYPE	DIMENSIONS, INCHES					BORE RANGE		WT.
			Sprocket	Flange				E	L	M	K	H	Min.	Max.	
<b>For belts 1-1/2 inch wide • 1/2-inch pitch (H150) Face Width (F) = 1-13/16 • 156 H150 F = 1-7/8</b>															
14H150	14	2.228	2.174	2.50	-	JA	E1F	1-9/32	1	15/32	-	-	1/2	1-1/4	1.3
16H150	16	2.546	2.492	2.75	1.88	JA	E1F	1-9/32	1	15/32	-	-	1/2	1-1/4	1.4
18H150	18	2.865	2.811	3.12	1.97	SH	E1F	1-1/8	1-1/4	9/16	-	-	1/2	1-5/8	2.2
19H150	19	3.024	2.970	3.25	...	*	MPB1F	11/16	2-1/2	-	-	2-3/8	3/4*	1-9/16	3.7
20H150	20	3.183	3.129	3.42	-	SH	E1F	1-1/8	1-1/4	9/16	...	-	1/2	1-5/8	2.6
21H150	21	3.342	3.288	3.58	-	*	MPB1F	13/16	2-5/8	-	-	2-5/8	3/4*	1-11/16	4.8
22H150	22	3.501	3.447	3.75	-	SD	E1F	5/8	1-13/16	5/8	-	-	1/2	1-15/16	3.5
24H150	24	3.820	3.766	4.06	3.00	SD	E1F	5/8	1-13/16	5/8	-	-	1/2	1-15/16	4.2
26H150	26	4.138	4.084	4.38	3.31	SD	D1F	1/8	1-13/16	1/8	1/2	-	1/2	1-15/16	4.7
28H150	28	4.456	4.402	4.69	3.50	SD	D1F	1/8	1-13/16	1/8	1/2	-	1/2	1-15/16	5.6
30H150	30	4.775	4.721	5.00	3.75	SD	D1F	1/8	1-13/16	1/8	1/2	-	1/2	1-15/16	6.4
32H150	32	5.093	5.039	5.31	4.12	SK	D1F	5/32	1-7/8	3/32	9/16	-	1/2	2-1/2	7.2
36H150	36	5.730	5.676	5.95	4.50	SK	D1F	5/32	1-7/8	3/32	9/16	-	1/2	2-1/2	9.2
40H150	40	6.366	6.312	6.60	4.88	SK	D1F	5/32	1-7/8	3/32	9/16	-	1/2	2-1/2	11.1
44H150	44	7.003	6.949	7.25	5.88	SK	D1F	5/32	1-7/8	3/32	9/16	-	1/2	2-1/2	13.6
48H150	48	7.639	7.585	8.00	6.63	SK	D2F	5/32	1-7/8	3/32	9/16	-	1/2	2-1/2	12.5
60H150	60	9.549	9.495	-	8.50	SF	D3	7/16	2	1/4	1/4	-	1/2	2-3/4	16.7
72H150	72	11.459	11.405	-	10.38	SF	D3	7/16	2	1/4	1/4	-	1/2	2-3/4	22.9
84H150	84	13.369	13.315	-	12.25	SF	D3	7/16	2	1/4	1/4	-	1/2	2-3/4	25.9
96H150	96	15.279	15.225	-	14.12	SF	D3	7/16	2	1/4	1/4	-	1/2	2-3/4	31.5
120H150	120	19.099	19.045	-	17.88	SF	D3	7/16	2	1/4	1/4	-	1/2	2-3/4	38.5
156H150	156	24.828	24.774	-	23.50	SF	D3	3/8	2	1/4	5/16	-	1/2	2-3/4	54.7
<b>For belts 2 inch wide • 1/2-inch pitch (H200) Face Width (F) = 2-11/32 • 156 H200 F = 2-1/2</b>															
14H200	14	2.228	2.174	2.50	-	JA	E1F	1-13/16	1	15/32	-	-	1/2	1-1/4	1.7
16H200	16	2.546	2.492	2.75	1.88	JA	E1F	1-13/16	1	15/32	-	-	1/2	1-1/4	1.7
18H200	18	2.865	2.811	3.12	2.00	SH	E1F	1-21/32	1-1/4	9/16	-	-	1/2	1-5/8	2.6
19H200	19	3.024	2.970	3.25	...	*	MPB1F	11/16	3-1/32	-	-	2-3/8	3/4*	1-9/16	4.6
20H200	20	3.183	3.129	3.42	-	SH	E1F	1-21/32	1-1/4	9/16	-	-	1/2	1-5/8	3.1
21H200	21	3.342	3.288	3.58	-	*	MPB1F	13/16	3-5/32	-	-	2-5/8	1*	1-11/16	5.6
22H200	22	3.501	3.447	3.75	-	SD	E1F	1-5/32	1-13/16	5/8	-	-	1/2	1-15/16	4.1
24H200	24	3.820	3.766	4.06	3.00	SD	E1F	1-5/32	1-13/16	5/8	-	-	1/2	1-15/16	4.7
26H200	26	4.138	4.084	4.38	3.31	SD	A1F	0	1-13/16	17/32	5/8	-	1/2	1-15/16	5.0
28H200	28	4.456	4.402	4.69	3.50	SD	A1F	0	1-13/16	17/32	5/8	-	1/2	1-15/16	6.2
30H200	30	4.775	4.721	5.00	3.75	SD	D1F	1/16	1-13/16	19/32	9/16	-	1/2	1-15/16	7.1
32H200	32	5.093	5.039	5.31	4.12	SK	D1F	1/32	1-7/8	11/16	11/16	-	1/2	2-1/2	8.1
36H200	36	5.730	5.676	5.95	4.62	SK	D1F	7/32	1-7/8	11/16	1/2	-	1/2	2-1/2	10.3
40H200	40	6.366	6.312	6.60	4.88	SK	D1F	7/32	1-7/8	11/16	11/16	-	1/2	2-1/2	12.2
44H200	44	7.003	6.949	7.25	5.88	SK	D1F	7/32	1-7/8	11/16	1/2	-	1/2	2-1/2	15.0
48H200	48	7.639	7.585	8.00	6.50	SF	D1F	1/8	2	15/32	9/16	-	1/2	2-3/4	18.1
60H200	60	9.549	9.495	-	8.50	SF	D3	3/16	2	17/32	1/2	-	1/2	2-3/4	19.8
72H200	72	11.459	11.405	-	10.38	SF	D3	3/16	2	17/32	1/2	-	1/2	2-3/4	24.8
84H200	84	13.369	13.315	-	12.25	SF	D3	3/16	2	17/32	1/2	-	1/2	2-3/4	29.7
96H200	96	15.279	15.225	-	14.12	E	D3	13/32	2-5/8	1/8	1/2	-	7/8	3-7/16	42.3
120H200	120	19.099	19.045	-	17.88	E	D3	13/32	2-5/8	1/8	1/2	-	7/8	3-7/16	53.8
156H200	156	24.828	24.774	-	23.50	E	D3	9/32	2-5/8	5/32	5/8	-	7/8	3-7/16	74.5
<b>For belts 3 inch wide • 1/2-inch pitch (H300) Face Width (F) = 3-3/8 • 156 H300 F = 3-1/2</b>															
16H300	16	2.546	2.492	2.78	-	*	MPB1F	11/16	4-1/16	-	-	1-7/8	3/4*	1-1/4	4.1
18H300	18	2.865	2.811	3.12	-	*	MPB1F	11/16	4-1/16	-	-	2-1/4	3/4*	1-3/8	5.4
19H300	19	3.024	2.970	3.25	-	*	MPB1F	11/16	4-1/16	-	-	2-3/8	3/4*	1-5/8	6.2
20H300	20	3.183	3.129	3.42	-	*	MPB1F	13/16	4-3/16	-	-	2-1/2	3/4*	1-7/8	7.0
21H300	21	3.342	3.288	3.58	-	*	MPB1F	13/16	4-3/16	-	...	2-5/8	1*	1-11/16	7.5
22H300	22	3.501	3.447	3.75	-	SD	E1F	2-3/16	1-13/16	5/8	-	-	1/2	1-15/16	5.1
24H300	24	3.820	3.766	4.06	3.00	SD	E1F	2-3/16	1-13/16	5/8	-	-	1/2	1-15/16	5.8
26H300	26	4.138	4.084	4.38	3.31	SD	A1F	0	1-13/16	1-9/16	5/8	-	1/2	1-15/16	6.2
28H300	28	4.456	4.402	4.69	3.50	SD	A1F	0	1-13/16	1-9/16	5/8	-	1/2	1-15/16	7.5
30H300	30	4.775	4.721	5.00	3.75	SD	A1F	7/16	1-13/16	1-1/8	1-1/16	-	1/2	1-15/16	8.7
32H300	32	5.093	5.039	5.31	4.12	SK	A1F	11/32	1-7/8	1-5/32	1-1/16	-	1/2	2-1/2	9.6
36H300	36	5.730	5.676	5.95	4.50	SK	A1F	11/32	1-7/8	1-5/32	1-1/16	-	1/2	2-1/2	12.4
40H300	40	6.366	6.312	6.60	4.88	SK	A1F	11/32	1-7/8	1-5/32	1-1/16	-	1/2	2-1/2	14.3
44H300	44	7.003	6.949	7.25	5.88	SK	A1F	9/32	1-7/8	1-7/32	1	-	1/2	2-1/2	17.6
48H300	48	7.639	7.585	7.88	6.50	SF	A1F	5/16	2	1-1/16	1	-	1/2	2-3/4	21.1
60H300	60	9.549	9.495	-	8.50	SF	A2	5/16	2	1-1/16	1	-	1/2	2-3/4	24.2
72H300	72	11.459	11.405	-	10.38	SF	A3	5/16	2	1-1/16	1	-	1/2	2-3/4	28.5
84H300	84	13.369	13.315	-	12.25	SF	A3	5/16	2	1-1/16	1	-	1/2	2-3/4	34.9
96H300	96	15.279	15.225	-	14.12	E	D3	5/32	2-5/8	29/32	3/4	-	7/8	3-7/16	48.6
120H300	120	19.099	19.045	-	17.88	E	D3	5/32	2-5/8	29/32	3/4	-	7/8	3-7/16	62.2
156H300	156	24.828	24.774	-	23.50	E	D3	5/32	2-5/8	1-1/32	3/4	-	7/8	3-7/16	86.3

\* Bored-to-suit construction, minimum plain bore, no setscrews.

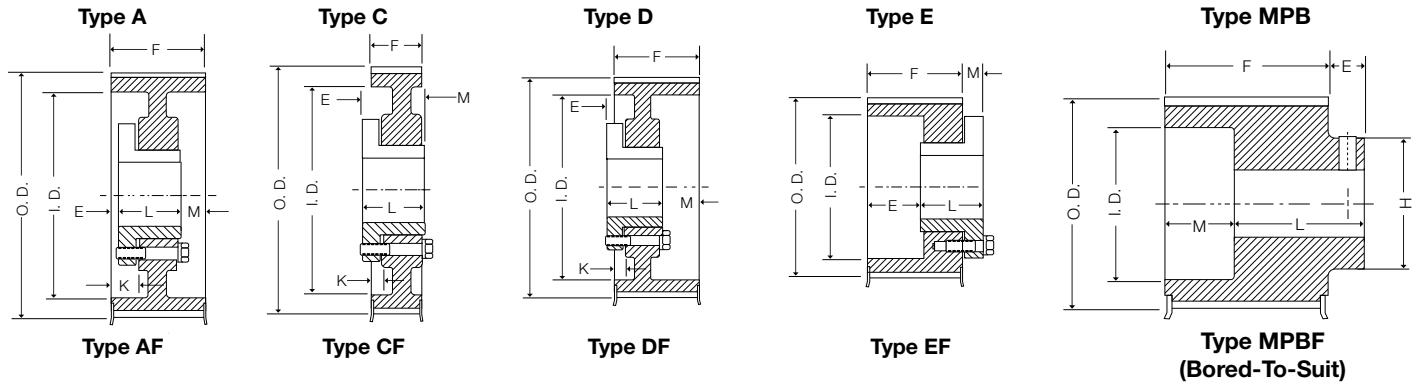
Weights for all Sure-Grip bushed items are approximate and include the bushing.

Refer to page C1—18 for balancing standards.

# Timing Sprocket XH

## Dimensions

The Timing Sprockets listed below and on the following pages are all stock sizes. The dimensions given are with the Sure-Grip bushings in place. The figure following the type sketch letter in the "type" column indicates the construction: (1—Solid, 2—Web, 3—Arms), and the letter F indicates the sprocket has flanges.



PRODUCT NUMBER	NUMBER OF GROOVES	PITCH DIAM.	O.D.		I.D.	BUSH.	TYPE	DIMENSIONS, INCHES					BORE RANGE		WT.
			Sprocket	Flange				E	L	M	K	H	Min.	Max.	
<b>For belts 2 inch wide • 7/8-inch pitch (XH200) Face Width (F) = 2-9/16</b>															
18XH200	18	5.013	4.903	5.56	-	SK	E1F	1-13/32	1-7/8	23/32	0	...	1/2	2-1/2	8.8
20XH200	20	5.570	5.460	6.09	4.00	SK	D1F	1/16	1-7/8	3/4	21/32	-	1/2	2-1/2	9.9
22XH200	22	6.127	6.017	6.47	4.38	SK	D1F	1/16	1-7/8	3/4	21/32	-	1/2	2-1/2	12.6
24XH200	24	6.685	6.575	7.18	4.94	SF	D1F	1/32	2	19/32	21/32	-	1/2	2-3/4	15.3
26XH200	26	7.241	7.131	7.78	5.50	SF	D1F	1/32	2	19/32	21/32	-	1/2	2-3/4	17.7
28XH200	28	7.799	7.689	8.38	6.25	E	D1F	7/16	2-5/8	3/8	15/32	-	7/8	3-7/16	23.8
30XH200	30	8.356	8.246	8.91	6.47	E	D1F	7/16	2-5/8	3/8	15/32	-	7/8	3-7/16	27.7
32XH200	32	8.913	8.803	9.44	7.00	E	D1F	7/16	2-5/8	3/8	15/32	-	7/8	3-7/16	31.2
36XH200	36	10.027	9.917	10.62	8.12	E	D2F	7/16	2-5/8	3/8	15/32	-	7/8	3-7/16	33.4
40XH200	40	11.141	11.031	11.71	9.25	F	C2F	1-1/32	3-5/8	1/32	1/32	-	1	3-15/16	50.5
48XH200	48	13.369	13.259	-	11.75	F	C2	1-1/32	3-5/8	1/32	1/32	-	1	3-15/16	58.0
60XH200	60	16.711	16.601	-	15.06	F	C3	1-1/32	3-5/8	1/32	1/32	-	1	3-15/16	58.6
72XH200	72	20.054	19.944	-	18.38	F	C3	1-1/32	3-5/8	1/32	1/32	-	1	3-15/16	70.1
84XH200	84	23.369	23.286	-	21.75	F	C3	1-1/32	3-5/8	1/32	1/32	-	1	3-13/16	79.0
96XH200	96	26.738	26.628	-	25.06	F	C3	1-1/32	3-5/8	1/32	1/32	-	1	3-13/16	94.1
120XH200	120	33.423	33.313	-	31.75	F	C3	1-1/32	3-5/8	1/32	1/32	-	1	3-13/16	118.3

Weights for all Sure-Grip bushed items are approximate and include the bushing.

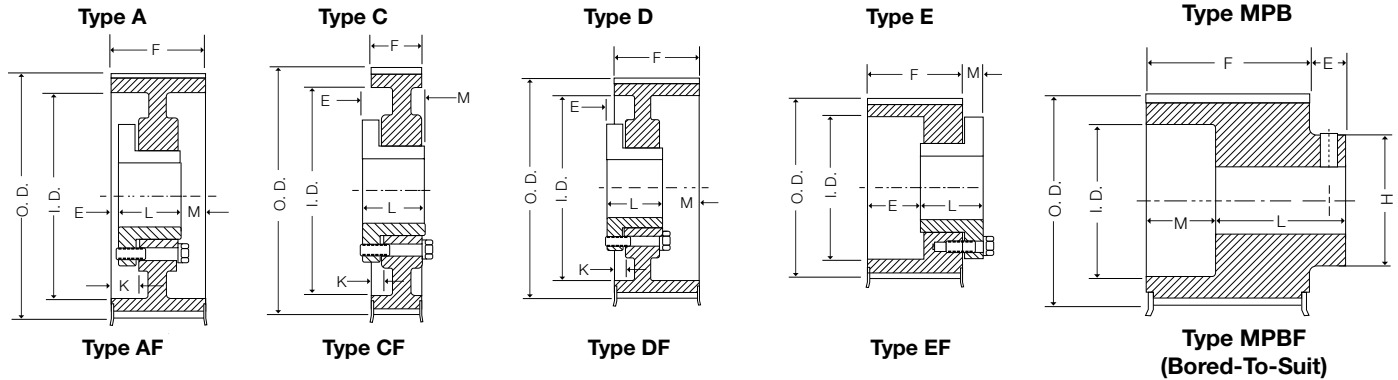
Refer to page C1—18 for balancing standards.



# Timing Sprocket XH

## Dimensions

The Timing Sprockets listed below and on the following pages are all stock sizes. The dimensions given are with the Sure-Grip bushings in place. The figure following the type sketch letter in the "type" column indicates the construction: (1—Solid, 2—Web, 3—Arms), and the letter F indicates the sprocket has flanges.



PRODUCT NUMBER	NUMBER OF GROOVES	PITCH DIAM.	O.D.		I.D.	BUSH.	TYPE	DIMENSIONS, INCHES					BORE RANGE		WT.
			Sprocket	Flange				E	L	M	K	H	Min.	Max.	
<b>For belts 3 inch wide • 7/8-inch pitch (XH300) Face Width (F) = 3-5/8</b>															
18XH300	18	5.013	4.903	5.56	-	SK	E1F	2-15/32	1-7/8	23/32	0	-	1/2	2-1/2	11.4
20XH300	20	5.570	5.460	6.09	4.00	SK	A1F	15/32	1-7/8	1-9/32	1-3/16	-	1/2	2-1/2	12.2
22XH300	22	6.127	6.017	6.47	4.38	SK	A1F	15/32	1-7/8	1-9/32	1-3/16	-	1/2	2-1/2	15.9
24XH300	24	6.685	6.575	7.18	4.94	SF	A1F	1/2	2	1-1/8	1-3/16	-	1/2	2-3/4	19.0
26XH300	26	7.241	7.131	7.78	5.50	SF	A1F	1/2	2	1-1/8	1-3/16	-	1/2	2-3/4	21.7
28XH300	28	7.799	7.689	8.31	5.94	E	A1F	3/32	2-5/8	29/32	1	-	7/8	3-7/16	27.3
30XH300	30	8.356	8.246	8.91	6.47	E	A1F	3/32	2-5/8	29/32	1	-	7/8	3-7/16	32.5
32XH300	32	8.913	8.803	9.44	7.00	E	A1F	3/32	2-5/8	29/32	1	-	7/8	3-7/16	36.4
36XH300	36	10.027	9.917	10.62	8.12	E	A2F	3/32	2-5/8	29/32	1	-	7/8	3-7/16	39.7
40XH300	40	11.141	11.031	11.71	9.25	F	D2F	1/2	3-5/8	1/2	9/16	-	1	3-15/16	63.1
48XH300	48	13.369	13.259	-	11.75	F	D2	1/2	3-5/8	1/2	9/16	-	1	3-15/16	64.8
60XH300	60	16.711	16.601	-	15.06	F	D3	1/2	3-5/8	1/2	9/16	-	1	3-15/16	70.3
72XH300	72	20.054	19.944	-	18.38	J	D3	1-1/32	4-1/2	5/32	7/32	-	1-7/16	4-7/16	94.8
84XH300	84	23.369	23.286	-	21.75	J	D3	1-1/32	4-1/2	5/32	7/32	-	1-7/16	4-7/16	118.0
96XH300	96	26.738	26.628	-	25.06	J	D3	1-1/32	4-1/2	5/32	7/32	-	1-7/16	4-7/16	122.4
120XH300	120	33.423	33.313	-	31.75	J	D3	1-1/32	4-1/2	5/32	7/32	-	1-7/16	4-7/16	158.8
<b>For belts 4 inch wide • 7/8-inch pitch (XH400) Face Width (F) = 4-11/16</b>															
18XH400	18	5.013	4.903	5.56	-	*	MPB1F	7/8	5.56	-	-	3-11/16	1	2-1/4	18.9
20XH400	20	5.570	5.460	6.09	4.00	SK	A1F	15/32	1-7/8	2-11/32	1-3/16	-	1/2	2-1/2	14.5
22XH400	22	6.127	6.017	6.47	4.38	SK	A1F	15/32	1-7/8	2-11/32	1-3/16	-	1/2	2-1/2	18.5
24XH400	24	6.685	6.575	7.18	4.94	SF	A1F	1/2	2	2-3/16	1-3/16	-	1/2	2-3/4	22.2
26XH400	26	7.241	7.131	7.78	5.50	SF	A1F	1/2	2	2-3/16	1-3/16	-	1/2	2-3/4	25.7
28XH400	28	7.799	7.689	8.31	5.94	E	A1F	5/8	2-5/8	1-7/16	1-17/32	-	7/8	3-7/16	30.8
30XH400	30	8.356	8.246	8.91	6.47	E	A1F	5/8	2-5/8	1-7/16	1-17/32	-	7/8	3-7/16	37.3
32XH400	32	8.913	8.803	9.44	7.00	E	A1F	5/8	2-5/8	1-7/16	1-17/32	-	7/8	3-7/16	41.7
36XH400	36	10.027	9.917	10.62	8.12	E	A2F	5/8	2-5/8	1-7/16	1-17/32	-	7/8	3-7/16	45.9
40XH400	40	11.141	11.031	11.71	9.25	F	A2F	1/32	3-5/8	1-1/32	1-3/32	-	1	3-15/16	68.2
48XH400	48	13.369	13.259	-	11.75	J	D2	1/2	4-1/2	11/16	3/4	-	1-7/16	4-7/16	84.9
60XH400	60	16.711	16.601	-	15.06	J	D3	1/2	4-1/2	11/16	3/4	-	1-7/16	4-7/16	93.8
72XH400	72	20.054	19.944	-	18.38	J	D3	1/2	4-1/2	11/16	3/4	-	1-7/16	4-7/16	109.1
84XH400	84	23.369	23.286	-	21.75	J	D3	1/2	4-1/2	11/16	3/4	-	1-7/16	4-7/16	123.0
96XH400	96	26.738	26.628	-	25.06	J	D3	1/2	4-1/2	11/16	3/4	-	1-7/16	4-7/16	145.8
120XH400	120	33.423	33.313	-	31.75	J	D3	1/2	4-1/2	11/16	3/4	-	1-7/16	4-7/16	181.4

Weights for all Sure-Grip bushed items are approximate and include the bushing.

\* Bored to suit construction, minimum plain bore, no setscrews

Refer to page C1—18 for balancing standards.

# Timing Sprocket XXH

## Dimensions

PRODUCT NUMBER	NUMBER OF GROOVES	PITCH DIAM.	O.D.		I.D.	BUSH.	TYPE	DIMENSIONS, INCHES					BORE RANGE		WT.
			Sprocket	Flange				E	L	M	K	H	Min.	Max.	
<b>For belts 2 inch wide • 1-1/4-inch pitch (XXH200) Face Width (F) = 2-5/8</b>															
18XXH200	18	7.162	7.042	7.88	4.50	SK	D1F	1/32	1-7/8	25/32	11/16	-	1/2	2-1/2	18.1
20XXH200	20	7.958	7.838	8.69	5.31	SK	D1F	1/32	1-7/8	25/32	11/16	-	1/2	2-1/2	21.8
22XXH200	22	8.753	8.633	9.50	6.25	E	D1F	13/32	2-5/8	13/32	1/2	-	7/8	3-7/16	30.7
24XXH200	24	9.549	9.429	10.31	6.89	E	D1F	13/32	2-5/8	13/32	1/2	-	7/8	3-7/16	36.4
26XXH200	26	10.345	10.225	11.06	7.68	E	D2F	13/32	2-5/8	13/32	1/2	-	7/8	3-7/16	42.0
30XXH200	30	11.937	11.817	12.69	9.25	F	C2F	1	3-5/8	0	1/16	-	1	3-15/16	58.5
34XXH200	34	13.528	13.408	14.25	10.88	F	C2F	1	3-5/8	0	1/16	-	1	3-15/16	67.6
40XXH200	40	15.915	15.795	16.62	13.25	F	C3F	1	3-5/8	0	1/16	-	1	3-15/16	70.6
48XXH200	48	19.099	18.979	-	16.81	J	C3	1-17/32	4-1/2	11/32	-9/32	-	1-7/16	4-7/16	88.5
60XXH200	60	23.873	23.753	-	21.56	J	C3	1-17/32	4-1/2	11/32	-9/32	-	1-7/16	4-7/16	108.6
72XXH200	72	28.648	28.528	-	26.31	J	C3	1-17/32	4-1/2	11/32	-9/32	-	1-7/16	4-7/16	127.5
90XXH200	90	35.810	35.690	-	33.44	J	C3	1-17/32	4-1/2	11/32	-9/32	-	1-7/16	4-7/16	156.9
<b>For belts 3 inch wide • 1-1/4-inch pitch (XXH300) Face Width (F) = 3-11/16</b>															
18XXH300	18	7.162	7.042	7.88	4.75	SF	A1F	11/16	2	1	1-3/8	-	1/2	2-3/4	22.6
20XXH300	20	7.958	7.838	8.69	5.31	SF	A1F	11/16	2	1	1-3/8	-	1/2	2-3/4	28.2
22XXH300	22	8.753	8.633	9.50	6.25	E	A1F	1/8	2-5/8	15/16	1-1/32	-	7/8	3-7/16	36.9
24XXH300	24	9.549	9.429	10.31	6.89	E	A1F	1/8	2-5/8	15/16	1-1/32	-	7/8	3-7/16	43.8
26XXH300	26	10.345	10.225	11.06	7.68	E	A2F	1/8	2-5/8	15/16	1-1/32	-	7/8	3-7/16	50.2
30XXH300	30	11.937	11.817	12.69	9.25	F	D2F	15/32	3-5/8	17/32	19/32	-	1	3-15/16	75.0
34XXH300	34	13.528	13.408	14.25	10.88	F	D2F	15/32	3-5/8	17/32	19/32	-	1	3-15/16	78.7
40XXH300	40	15.915	15.795	16.62	13.25	F	D3F	15/32	3-5/8	17/32	19/32	-	1	3-15/16	86.2
48XXH300	48	19.099	18.979	-	16.81	J	D3	1	4-1/2	3/16	1/4	-	1-7/16	4-7/16	105.6
60XXH300	60	23.873	23.753	-	21.56	J	D3	1	4-1/2	3/16	1/4	-	1-7/16	4-7/16	128.3
72XXH300	72	28.648	28.528	-	26.31	J	D3	1	4-1/2	3/16	1/4	-	1-7/16	4-7/16	158.4
90XXH300	90	35.810	35.690	-	33.44	J	D3	1	4-1/2	3/16	1/4	-	1-7/16	4-7/16	208.8
<b>For belts 4 inch wide • 1-1/4-inch pitch (XXH400) Face Width (F) = 4-3/4</b>															
18XXH400	18	7.162	7.042	7.88	4.75	SF	A1F	11/16	2	2-1/16	1-3/8	-	1/2	2-3/4	27.3
20XXH400	20	7.958	7.838	8.69	5.31	SF	A1F	11/16	2	2-1/16	1-3/8	-	1/2	2-3/4	34.1
22XXH400	22	8.753	8.633	9.50	6.25	E	A1F	21/32	2-5/8	1-15/32	1-9/16	-	7/8	3-7/16	43.1
24XXH400	24	9.549	9.429	10.31	6.89	E	A1F	21/32	2-5/8	1-15/32	1-9/16	-	7/8	3-7/16	51.3
26XXH400	26	10.345	10.225	11.06	7.68	F	A1F	1/16	3-5/8	1-1/16	1-1/8	-	1	3-15/16	67.6
30XXH400	30	11.937	11.817	12.69	9.25	F	A2F	1/16	3-5/8	1-1/16	1-1/8	-	1	3-15/16	77.9
34XXH400	34	13.528	13.408	14.25	10.88	J	D2F	15/32	4-1/2	23/32	25/32	-	1-7/16	4-7/16	102.5
40XXH400	40	15.915	15.795	16.62	13.25	J	D3F	15/32	4-1/2	23/32	25/32	-	1-7/16	4-7/16	112.2
48XXH400	48	19.099	18.979	-	16.81	J	D3	15/32	4-1/2	23/32	25/32	-	1-7/16	4-7/16	119.9
60XXH400	60	23.873	23.753	-	21.56	M	C3	1-11/16	6-3/4	5/16	-7/32	-	2	5-1/2	203.3
72XXH400	72	28.648	28.528	-	26.31	M	C3	1-11/16	6-3/4	5/16	-7/32	-	2	5-1/2	258.3
90XXH400	90	35.810	35.690	-	33.44	M	C3	1-11/16	6-3/4	5/16	-7/32	-	2	5-1/2	293.9
<b>For belts 5 inch wide • 1-1/4-inch pitch (XXH500) Face Width (F) = 5-13/16</b>															
18XXH500	18	7.162	7.042	7.88	4.50	*	MPB1F	1-1/4	5	2-1/16	-	5	1-1/4*	3-1/4	48.6
20XXH500	20	7.958	7.838	8.69	5.31	*	MPB1F	1-1/4	5	2-1/16	-	5-7/8	1-1/4*	3-1/4	61.0
22XXH500	22	8.753	8.633	9.50	6.25	E	A1F	1-3/16	2-5/8	2	2-3/32	-	7/8	3-7/16	49.4
24XXH500	24	9.549	9.429	10.31	6.89	F	A1F	19/32	3-5/8	1-19/32	1-21/32	-	1	3-15/16	65.9
26XXH500	26	10.345	10.225	11.06	7.68	F	A1F	19/32	3-5/8	1-19/32	1-21/32	-	1	3-15/16	75.7
30XXH500	30	11.937	11.817	12.69	9.25	J	A1F	1/16	4-1/2	1-1/4	1-5/16	-	1-7/16	4-7/16	109.1
34XXH500	34	13.528	13.408	14.25	10.88	J	A2F	1/16	4-1/2	1-1/4	1-5/16	-	1-7/16	4-7/16	113.6
40XXH500	40	15.915	15.795	16.62	13.25	J	A3F	1/16	4-1/2	1-1/4	1-5/16	-	1-7/16	4-7/16	125.9
48XXH500	48	19.099	18.979	-	16.81	M	D3	1-5/32	6-3/4	7/32	5/16	-	2	5-1/2	188.7
60XXH500	60	23.873	23.753	-	21.56	M	D3	1-5/32	6-3/4	7/32	5/16	-	2	5-1/2	229.3
72XXH500	72	28.648	28.528	-	26.31	M	D3	1-5/32	6-3/4	7/32	5/16	-	2	5-1/2	266.5
90XXH500	90	35.810	35.690	-	33.44	M	D3	1-5/32	6-3/4	7/32	5/16	-	2	5-1/2	363.1

\* Bored-to-suit construction, minimum plain bore, no setscrews.

Weights for all Sure-Grip bushed items are approximate and include the bushing.

Refer to page C1—18 for balancing standards.

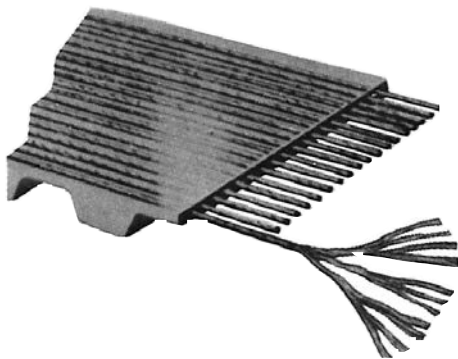
## Construction

Timing belt drives are built on a revolutionary tooth-grip principle. The molded teeth of the belt are designed to make positive engagement with the mating axial grooves on the pulleys. These teeth enter and leave the grooves in a smooth, rolling manner—with negligible friction; they function in much the same manner as the teeth on a gear. The tooth profile is the result of years of engineering research and development.

Timing belts, unlike most other types of belts, do not derive their great tensile strength from their thickness. Instead, these belts are built extremely *thin* with teeth; yet they are all “muscle”—with tension members that give them inherent power to *grip* and to *pull*.

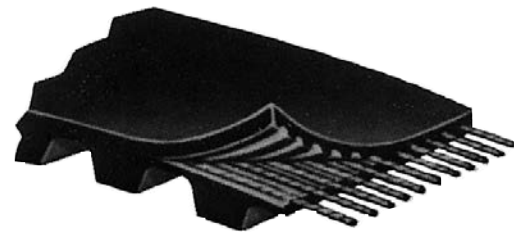
In many respects both the engineering and the nomenclature of these timing belts parallel those of chain and gear drives. The relationship between a synchronous belt and its matching grooved pulley is similar to that between an internal ring gear and its pinion.

The construction of the timing belt is not complex. It consists of only four components.



### 1. The Tension Member

Continuous, helically wound fiberglass cords—the pulling or load-carrying element, the very heart of the belt. This tension member is the secret of the belt’s enormous tensile strength, its excellent flex life, its high resistance to elongation.



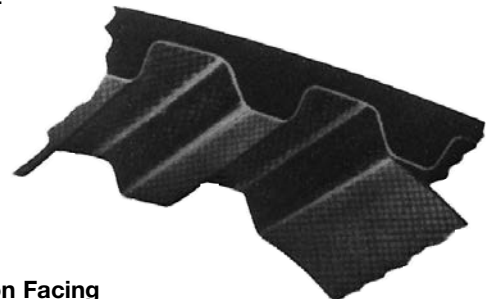
### 2. The Neoprene Backing

The durable, flexible backing that encases the load-carrying tension member. Made of strong, wear-resisting neoprene, bonded to the tension member—and built thin. It protects the cords from grime, oil, moisture—also from frictional wear if power is transmitted from back of belt. It is highly resistant to action of machine oils (but not to vegetable and water-soluble coolant oils). For severe oil conditions, belts can be made of special oil-resisting compounds.



### 3. The Neoprene Teeth

Molded integral with the neoprene backing that protects the fiberglass cords. Made of a shear-resistant, moderately hard neoprene compound. These teeth—to assure correct engagement with the pulley grooves—are precisely formed and accurately spaced. They are so located that the tooth root line lies substantially on the pitch line; thus the tooth spacing (circular pitch) of the belt is not altered by flexing. The belt tooth strength actually exceeds the tensile strength when 6 or more teeth are in mesh.



### 4. The Nylon Facing

The tough, wear-resistant fabric that covers the belt’s wearing surfaces. Made of tough nylon duck with low coefficient of friction, this facing protects the tooth surfaces in much the same way that case-hardening protects the wearing surfaces of steel. This facing, after long service, becomes highly polished; it normally outlasts the other components of the belt.

# Timing Belts

## Dimensions

### XL (1/5-inch Pitch)

PRODUCT NO.	PITCH LENGTH	NO. OF TEETH	WT./WIDTH (LBS)		PRODUCT NO.	PITCH LENGTH	NO. OF TEETH	WT./WIDTH (LBS)	
			025	037				025	037
50XL	5.00	25	.01	.01	250XL	25.00	125	.03	.04
60XL	6.00	30	.01	.01	260XL	26.00	130	.03	.04
70XL	7.00	35	.01	.01	280XL	28.00	140	.03	.04
80XL	8.00	40	.01	.01	290XL	29.00	145	.04	.04
90XL	9.00	45	.01	.01	300XL	30.00	150	.04	.04
100XL	10.00	50	.01	.01	310XL	31.00	155	.04	.05
110XL	11.00	55	.01	.02	330XL	33.00	165	.04	.05
120XL	12.00	60	.01	.02	340XL	34.00	170	.04	.05
130XL	13.00	65	.01	.02	350XL	35.00	175	.04	.06
140XL	14.00	70	.01	.02	370XL	37.00	185	.04	.06
150XL	15.00	75	.02	.02	380XL	38.00	190	.04	.06
160XL	16.00	80	.02	.02	390XL	39.00	195	.04	.06
170XL	17.00	85	.02	.03	400XL	40.00	200	.04	.06
180XL	18.00	90	.02	.03	420XL	42.00	210	.04	.06
190XL	19.00	95	.02	.03	450XL	45.00	225	.04	.06
200XL	20.00	100	.02	.03	460XL	46.00	230	.04	.06
210XL	21.00	105	.02	.03	480XL	48.00	240	.04	.08
220XL	22.00	110	.02	.03	500XL	50.00	250	.06	.08
230XL	23.00	115	.02	.03	570XL	57.00	285	.06	.08
240XL	24.00	120	.02	.04	630XL	63.00	315	.08	.10
					770XL	77.00	385	.08	.12

### L (3/8-inch Pitch)

PRODUCT NO.	PITCH LENGTH	NO. OF TEETH	WT./WIDTH (LBS)		
			050	075	100
124L	12.38	33	.02	.05	.07
135L	13.50	36	.02	.05	.07
150L	15.00	40	.03	.06	.08
165L	16.50	44	.03	.06	.08
187L	18.75	50	.04	.07	.09
195L	19.50	52	.04	.08	.10
210L	21.00	56	.04	.08	.10
225L	22.50	60	.05	.08	.11
240L	24.00	64	.06	.09	.12
255L	25.50	68	.06	.09	.13
270L	27.00	72	.06	.10	.13
285L	28.50	76	.07	.10	.14
300L	30.00	80	.07	.11	.15
322L	32.25	86	.08	.12	.16
345L	34.50	92	.08	.13	.17
367L	36.75	98	.09	.13	.18
390L	39.00	104	.09	.14	.19
420L	42.00	112	.10	.15	.21
450L	45.00	120	.11	.16	.22
480L	48.00	128	.12	.17	.24
510L	51.00	136	.12	.18	.25
540L	54.00	144	.13	.20	.26
600L	60.00	160	.13	.21	.27
660L	66.00	176	.16	.24	.32
817L	81.75	218	.20	.30	.42
900L	90.00	240	.22	.32	.44

### H (1/2-inch Pitch)

PRODUCT NO.	PITCH LENGTH	NO. OF TEETH	WT./WIDTH (LBS)				
			075	100	150	200	300
210H	21.00	42	.12	.16	.25	.33	.49
220H	22.00	44	.13	.17	.27	.35	.52
230H	23.00	46	.13	.19	.28	.38	.56
240H	24.00	48	.13	.20	.28	.41	.56
270H	27.00	54	.15	.21	.31	.44	.63
300H	30.00	60	.17	.23	.35	.47	.70
320H	32.00	64	.18	.24	.36	.49	.73
330H	33.00	66	.19	.25	.38	.51	.77
340H	34.00	68	.19	.26	.40	.53	.79
350H	35.00	70	.20	.27	.41	.55	.81
360H	36.00	72	.20	.28	.42	.56	.84
370H	37.00	74	.21	.29	.42	.58	.87
390H	39.00	78	.22	.30	.45	.61	.91
400H	40.00	80	.23	.31	.47	.63	.93
410H	41.00	82	.23	.31	.48	.64	.95
420H	42.00	84	.24	.32	.49	.65	.98
450H	45.00	90	.25	.35	.52	.70	1.05
480H	48.00	96	.27	.37	.56	.75	1.12
490H	49.00	98	.28	.38	.57	.77	1.15
510H	51.00	102	.29	.39	.59	.79	1.19
540H	54.00	108	.30	.41	.63	.84	1.26
560H	56.00	112	.31	.42	.65	.86	1.28
570H	57.00	114	.32	.44	.66	.89	1.33
585H	58.50	117	.33	.45	.68	.91	1.37
600H	60.00	120	.34	.46	.70	.93	1.40

PRODUCT NO.	PITCH LENGTH	NO. OF TEETH	WT./WIDTH (LBS)				
			075	100	150	200	300
630H	63.00	126	.35	.48	.73	.98	1.47
645H	64.50	129	.36	.49	.75	1.00	1.50
660H	66.00	132	.37	.51	.77	1.02	1.54
700H	70.00	140	.39	.54	.81	1.09	1.64
730H	73.00	146	.41	.56	.83	1.12	1.69
750H	75.00	150	.42	.58	.87	1.16	1.75
780H	78.00	156	.43	.59	.89	1.20	1.80
800H	80.00	160	.45	.61	.93	1.24	1.87
820H	82.00	164	.40	.63	.95	1.27	1.93
840H	84.00	168	.47	.64	.97	1.29	1.95
850H	85.00	170	.48	.68	.99	1.32	1.99
900H	90.00	180	.51	.69	1.04	1.40	2.10
960H	96.00	192	.54	.73	1.10	1.47	2.22
1000H	100.00	200	.56	.77	1.16	1.55	2.35
1100H	110.00	220	.62	.84	1.27	1.71	2.57
1140H	114.00	228	.66	.90	1.36	1.83	2.74
1250H	125.00	250	.70	.96	1.45	1.94	2.92
1400H	140.00	280	.79	1.07	1.62	2.17	3.27
1550H	155.00	310	.88	1.19	1.79	2.40	3.62
1700H	170.00	340	.96	1.30	1.95	2.63	3.97

Note: For complete product number, add width to belt length given in Product No. column.

Examples: 50XL025 or 310XL037.

### XH (7/8-inch Pitch)

PRODUCT NO.	PITCH LENGTH	NO. OF TEETH	WT./WIDTH (LBS)		
			200	300	400
507XH	50.75	58	2.11	3.16	4.22
560XH	56.00	64	2.33	3.49	4.66
630XH	63.00	72	2.62	3.93	5.24
700XH	70.00	80	2.91	4.37	5.82
770XH	77.00	88	3.20	4.81	6.41
840XH	84.00	96	3.49	5.24	6.99
980XH	98.00	112	4.08	6.12	8.15
1120XH	112.00	128	4.66	6.99	9.32
1260XH	126.00	144	5.24	7.86	10.48
1400XH	140.00	160	5.82	8.74	11.65
1540XH	154.00	176	6.41	9.61	12.81
1750XH	175.00	200	7.28	10.92	14.56

### XXH (1-1/4-inch Pitch)

PRODUCT NO.	PITCH LENGTH	NO. OF TEETH	WT./WIDTH (LBS)			
			200	300	400	500
700XXH	70.00	56	4.09	6.13	8.18	10.22
800XXH	80.00	64	4.67	7.01	9.34	11.68
900XXH	90.00	72	5.26	7.88	10.51	13.14
1000XXH	100.00	80	5.84	8.76	11.68	14.50
1200XXH	120.00	96	7.01	10.51	14.60	17.52
1400XXH	140.00	112	8.18	12.26	16.35	20.44
1600XXH	160.00	128	9.34	14.02	18.69	23.36
1800XXH	180.00	144	10.57	15.77	21.02	26.28

Note: For complete product number, add width to belt length given in Product No. column.

Examples: 700XH300 or 1200XXH200.

## STOCK BELT TOLERANCES

### LENGTH TOLERANCES

on center distance\*

BELT LENGTH, INCHES	TOLERANCE
5 to 10	± .008
over 10 to 15	± .009
over 15 to 20	± .010
over 20 to 30	± .012
over 30 to 40	± .013
over 40 to 50	± .015
over 50 to 60	± .016
over 60 to 70	± .017
over 70	add .001" for each 10.0" increase in belt length

\* These tolerances are for reference only. For fixed center drive applications, consult the factory.

Tolerances on special belts on application.

### WIDTH TOLERANCES

for 1/2-in. pitch belts and under\*\*

BELT WIDTH, INCHES	BELT LENGTH, INCHES		
	0 TO 33	33 TO 66	OVER 66
1/8 to 7/16	+ 1/64 - 1/32	+ 1/64 - 1/32	-
over 7/16 to 1-1/2	+ 1/32 - 1/32	+ 1/32 - 3/64	+ 1/32 - 3/64
over 1-1/2 to 2	+ 1/32 - 3/64	+ 3/64 - 3/64	+ 3/64 - 1/16
over 2 to 2-1/2	+ 3/64 - 3/64	+ 3/64 - 1/16	+ 1/16 - 1/16
over 2-1/2 to 3	+ 3/64 - 1/16	+ 1/16 - 1/16	+ 1/16 - 1/16
over 3 to 4	+ 1/16 - 1/16	+ 1/16 - 5/64	+ 5/64 - 5/64
over 4	+ 3/32 - 3/32	+ 3/32 - 7/64	+ 3/32 - 1/8

\*\* For other pitch belts up to and including 4 inches wide tolerance = ± 3/16 in. For belts over 4 inches wide tolerance = +3/16 - 1/4".

# Twin Power

Twin Power Timing Belts have fully molded and jacketed teeth on both sides. Twin Power Timing Belts can transmit 100% of their maximum rated load from either side of the belt or in any combination where the sum of loading exerted on both sides does not exceed the maximum rating of the belt.

Prior to the development of fully-molded construction, conventional timing belts were manufactured with extra rubber on the backside of the belts. This extra rubber was then ground to provide the tooth profile on the second side of the belt. The disadvantage of

this method was that the ground tooth could only transmit 35% of the load of a conventional molded tooth. Further disadvantages were that it is virtually impossible to adhere nylon fabric to the ground tooth surface to retard wear and reduce friction. The advent of fully-molded construction has eliminated these load capacity and wear problems.

While Twin Power Timing Belts provide unique solutions to difficult design problems, their construction similarities to conventional timing belts allow essentially the same design parameters.

## TWIN POWER SPECIFICATION

The prefix “TP” precedes the standard code to differentiate Twin Power from regular one-sided timing belts. For example, a 26” long, 1/5” pitch, 3/8” wide Twin Power Timing Belt is specified: TP260XL037.

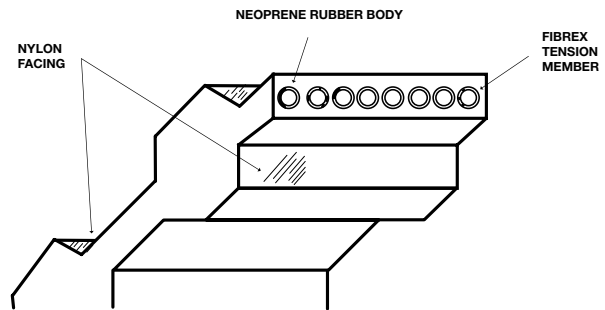
## TWIN POWER CONSTRUCTION

Twin Power Timing Belts have the identical basic components as our standard timing belts, namely:

- Tension Member – Fibrex (fiberglass) cords, helically wound, provide the same load-carrying elements as in the standard timing belt.
- Neoprene Body – Standard Neoprene compound provides tooth material and support for fibrex cords.
- Nylon Facing – Specially treated nylon fabric adhered through patented process provides tough wear-resistant tooth surface with minimal friction.

## TWIN POWER HORSEPOWER RATINGS

Twin Power Timing Belts are rated at the same horsepower capacity as a standard timing belt of identical pitch and width. Maximum rated load can be transmitted by either side of the belt or in any combination where the sum of loads on both sides does not exceed the maximum rating. For example, a Twin Power Belt rated as 12 HP could be utilized with 50% of the maximum rating exerted on one side and 50% on the other.



## TWIN POWER SIZES AVAILABLE

### XL (1/5-inch Pitch)

PITCH LENGTH CODES				STANDARD WIDTH CODES	
TP140XL	TP190XL	TP240XL	TP300XL		
TP150XL	TP200XL	TP250XL	TP310XL		
TP160XL	TP210XL	TP260XL	TP330XL	1/4"	- 025
TP170XL	TP220XL	TP280XL		3/8"	- 037
TP180XL	TP230XL	TP290XL			

### L (3/8-inch Pitch)

PITCH LENGTH CODES				STANDARD WIDTH CODES	
TP210L	TP285L	TP390L	TP540L		
TP225L	TP300L	TP420L	TP600L	1/2"	- 050
TP240L	TP322L	TP450L	TP660L	3/4"	- 075
TP255L	TP345L	TP480L		1"	- 100
TP270L	TP367L	TP510L			

### H (1/2-inch Pitch)

PITCH LENGTH CODES				STANDARD WIDTH CODES	
TP360H	TP510H	TP660H	TP900H	3/4"	- 075
TP390H	TP540H	TP700H	TP1000H	1"	- 100
TP420H	TP570H	TP750H	TP1100H	1-1/2"	- 150
TP450H	TP600H	TP800H		2"	- 200
TP480H	TP630H	TP850H		3"	- 300

There are many special Timing belts in use today. These special belts are necessary for one reason or another. The belt may be of special pitch, length, and/or construction. When replacement belts are required, complete information on the original belts must be given. A typical special belt number would be No. 9108 x 3-V8N2. This information is necessary at all times when requesting price or when ordering belts. The omission of any

section of this number makes it impossible to furnish. The mold for making Special Timing Belts is normally 15 inches wide and will make a slab this wide which will then be cut into the desired widths. Special belts must always be purchased in the minimum and multiple quantities as shown in the table below.

## MINIMUM AND MULTIPLE QUANTITIES PER ORDER BASED ON 15" MOLD

MADE-TO-ORDER belts must be ordered in minimum quantities. Consult factory for minimum quantity.

NOMINAL BELT WIDTH, INCHES	NO. OF BELTS	NOMINAL BELT WIDTH, INCHES	NO. OF BELTS	NOMINAL BELT WIDTH INCHES	NO. OF BELTS	NOMINAL BELT WIDTH, INCHES	NO. OF BELTS	NOMINAL BELT WIDTH, INCHES	NO. OF BELTS
1/8	116	13/32	34	7/8	16	1-7/8	7	4	3
5/32	90	7/16	33	15/16	15	2	7	4-1/2	3
3/16	80	15/32	30	1	14	2-1/4	6	5	2
7/32	64	1/2	29	1-1/8	13	2-1/2	5	5-1/2	2
1/4	60	9/16	26	1-1/4	11	2-3/4	5	6	2
9/32	50	5/8	23	1-3/8	10	3	4	6-1/2	2
5/16	48	11/16	21	1-1/2	9	3-1/4	4	7	2
11/32	42	3/4	20	1-5/8	9	3-1/2	4	8	1
3/8	40	13/16	17	1-3/4	8	3-3/4	3	-	-

**Example:** For MADE-TO-ORDER belts 2 inches wide, the minimum quantity is 7 belts. Minimum quantity for belts 3 inches wide is 4 belts. Minimum quantity for 1/2-inch wide belts is 29 belts.

Orders must also specify the exact number of belts desired by the customer. This exact number may differ from the minimum quantity required on the order. Possible rejects can reduce the total number furnished.

**Example:** Customer requires 5 MADE-TO-ORDER belts 2 inches wide. Minimum quantity order is for 7 belts. However, due to factory reject of 1 belt, customers will be shipped 6 belts.

**NOTE:** New molds may be 30" wide. Consult factory for information.

## MINIMUM AND MAXIMUM BELT WIDTHS AND LENGTHS

BELT	BELT LENGTH, INCHES	WIDTH, INCHES	
		MINIMUM	MAXIMUM
XL 1/5 in.	Under 30	3/16	14-1/2
	30 to 60	1/4	14-1/2
	60 to 180	1/2	14-1/2
L 3/8 in.	8 to 60	1/4	14-1/2
	60 to 180	1/2	14-1/2
H 1/2 in.	20 to 180	1/2	14-1/2
XH 7/8 in.	50 to 180	2	14
XXH 1-1/4 in.	70 to 180	2	14

## SPECIAL CONSTRUCTION

### Static Dissipating—

Resistivity of 6 megohms or less

### Low Temperature—

For dry operating temperature range of -65°F. to +180°F. (-54°C. to + 82°C.)

### High Temperature—

For dry operating temperature range of -40°F. to +230°F. (Stock belt temperature range: -30°F. to +185°F.) (-40°C. to +110°C.)

### Oil Resistant—

For excessive oil atmosphere, including immersion in commercial motor oil; temperature range of -20°F. to +240°F. in oil. (Dry: -20°F. to +210°F.) (-29°C. to +99°C.)

### Non-Marking—

For conveyors, food handling, etc. Light grey neoprene 50 to 60 shore durometer.

### Ground Backing—

Special applications involving vibration or outside idlers. Class I ± .005 – Class II ± .010".

### Extra Backing Rubber Thickness—

For functional and special applications.



# Cotton Cleaner Drives

---

**Greatly Increases Output** — The positive action of Wood's Cotton Cleaner Drives maintains accurate driven speeds . . . delivers full power to the cylinder train . . . minimizes choke-ups . . . provides much greater output than conventional V-belt drives. Molded, nylon-faced, neoprene teeth engage grooved, gear-like pulleys, completely eliminating slippage.

**No Belt Stretch, No Idlers** — Wood's Cotton Cleaner Drive belts have amazing strength, are reinforced with continuous, helically wound steel cables. There is no stretch . . . no need for idlers or retensioning to take up belt slack. Thin, readily flexible construction eliminates heat build-up, maintains high operating efficiency. These belts are unaffected by dirt, oil or grease. They have been proved in thousands of applications.

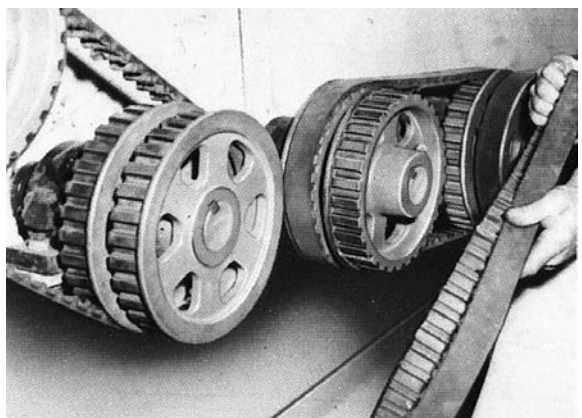
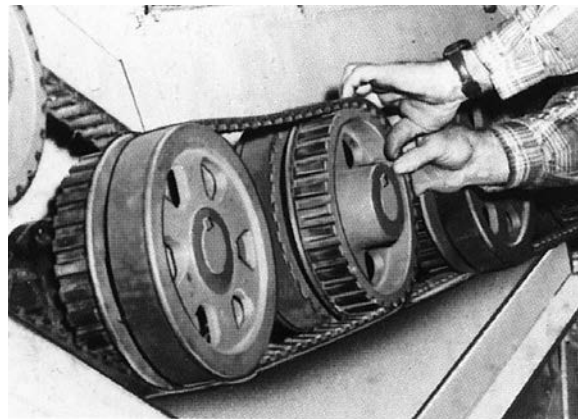
**Longer Life, Less Maintenance** — Because Wood's Cotton Cleaner Drives do not rely upon friction, there is no need for high drive tension. Bearing and drive life are lengthened considerably through elimination of this constant, destructive load. There is no metal-to-metal contact . . . no need for lubrication or maintenance. Belt throwoff is eliminated. And, these drives are almost entirely self-cleaning.

**Save Substantially** in belt replacement time. Gear-like construction and absence of high tension enable you to remove belts from inside or outside pulleys, simply and easily, without spreader or pull-off tools.

**Easy to Install** — Wood's Cotton Cleaner Drives are easy to install and remove. You can install them in less than half the time required for conventional V-belt types. No special tools are required. No costly equipment changes are necessary.

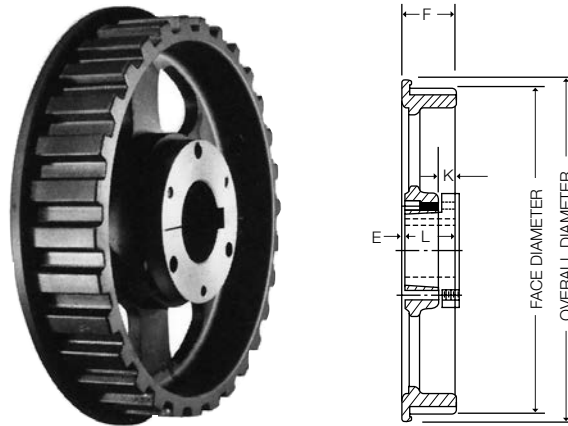
**No Inventory Problems** — One pulley size is used for all cotton cleaner cylinder drives. Pulleys are statically balanced and supplied bored to size or to accommodate Sure-Grip, tapered, QD-type interchangeable bushings. Belts are available in sizes for 14-1/4, 16-1/2, 17 and 17-1/2-inch fixed centers.

Wood's Cotton Cleaner Drives consist of two pulleys, one belt and, when indicated, two bushings. When ordering, please specify whether bushed or bored-to-size, shaft size and whether drive is to be used on 14-1/4, 16-1/2, 17 or 17-1/2-inch center.



**No spreader or pull-off tools are needed to replace belts.**

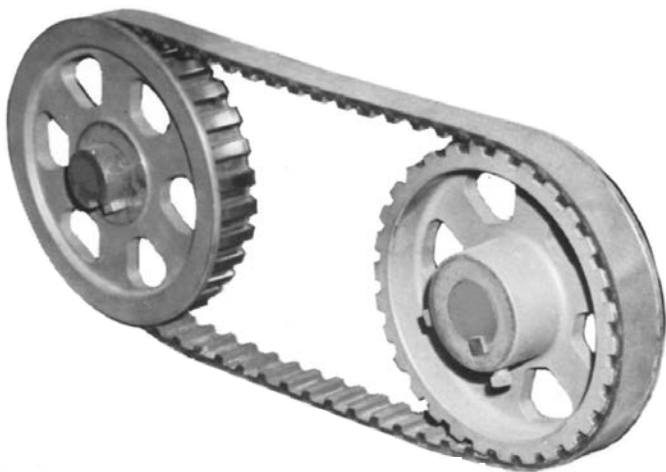
## SPROCKETS



## DIMENSIONS

PRODUCT NUMBER	NO. GROOVES	FACE DIAMETER	O.A. DIAMETER	TYPE	BUSHING	E	F	K	L	WT.
21CCP	21	6.594	7-3/16	Bushed	SK	1/16	1-15/16	5/8	1-7/8	11.5
30CCP	30	9.459	10	Bushed	SK	1/16	1-15/16	5/8	1-7/8	16.5
32CCP	32	10.278	10-13/16	Bushed	SK	1/16	1-15/16	5/8	1-7/8	18.5
38CCP	38	12.006	12-5/8	Bushed	SK	1/16	1-15/16	5/8	1-7/8	23.5

## BELTS



## DIMENSIONS

PRODUCT NUMBER	PITCH LENGTH (IN.)	CENTER DISTANCE (IN.)
60CCB150	60.0	15.0
61CCB142	61.0	14.25*
63CCB165	63.0	16.5**
64CCB170	64.0	17.0**
65CCB175	65.0	17.5**

\*When used with 32-groove sprockets.

\*\*When used with 30-groove sprockets.

**NOTE:** The 32-groove pulleys must be used with the 61CCB142 belt and are not interchangeable with other size sprockets and belts.



# General Engineering Information

**CES**

- **Drive Installation & Alignment**
- **Sprocket Diameter Calculation**
- **Materials**
- **Use of Flanged Sprockets**
- **Fixed Centers Drives**
- **Teeth In Mesh**
- **Belt Pull & Bearing Loads**
- **Idler Use**
- **Troubleshooting Guide**

Below are some terms and abbreviations used on the following pages.

**HP** = Horsepower  
**DHP** = Design Horsepower  
**RPM** = Revolutions Per Minute  
**D** = Large Diameter Wheel

**Ac** = Arc Correction Factor  
**Lc** = Length Correction Factor  
**C** = Center Distance  
**d** = Small Diameter Wheel

# Synchronous Belt

## Installation

### Align Sprockets

Sprocket alignment and parallelism of the shafts is very important. Proper alignment helps to equalize the load across the entire belt width, thereby reducing wear and extending belt life. The sketches below show how to align a Synchronous drive properly. **PLACE A STRAIGHTEDGE** against the outside edge of the sprockets as shown in Figure 6; Figure 7 shows the four points where the straightedge should touch the sprockets.

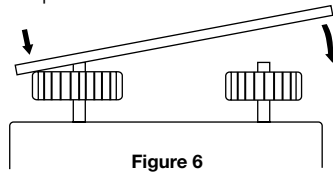


Figure 6

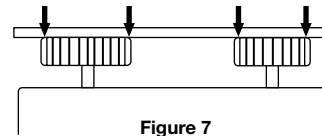


Figure 7

The straightedge should cross the sprockets at the widest possible part. (See Figure 8.) **OR USE A STRING.** Tie a string around either shaft (Figure 9) and pull it around and across the outer edge of both sprockets. Figure 10 shows how the string should touch four points when the drive is properly aligned. After aligning the sprockets, check the rigidity of the supporting framework. Shafts should be well supported to prevent distortion and a resulting change in the center distance under load. Do not use spring-loaded or weighted idlers. Idler sprockets or pulleys must be locked into position after adjusting belt tension. **Please note: At least one sprocket must have a flange.**

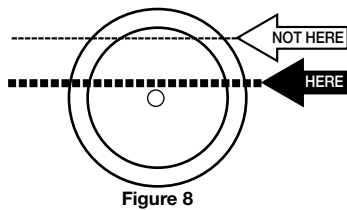


Figure 8

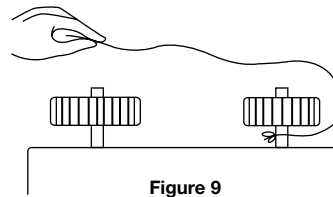


Figure 9

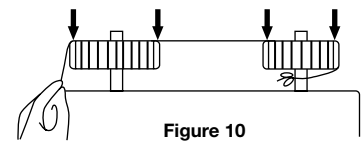


Figure 10

### Install Belt

Do not pry or otherwise force the belt onto the sprockets, as this can result in permanent damage to the belt. Either remove the sprocket's outside flange or reduce the center distance between the sprockets so that the belt can be easily installed.

### Belt Tensioning – General Method

This method of tensioning Synchronous belts should satisfy most drive requirements.

- Step 1. Reduce the center distance so that the belt can be placed onto the sprockets without forcing or prying it over the flanges.
- Step 2. Increase the belt tension until the belt feels snug or taut. Avoid over-tensioning the belt.
- Step 3. Start the drive and apply the most severe load condition. This may be either the motor starting torque or during the work cycle. A belt that is too loose will "jump teeth" under the most severe load condition. When this occurs, gradually increase the belt tension until satisfactory operation is achieved.

### Belt Tensioning – Force Deflection Method

A numerical method can be used to properly tension the belt on a Synchronous drive. This procedure, commonly referred to as the Force Deflection Method, consists of measuring the pounds of force required to deflect the belt a given amount.

- Step 1. Install the belt as per Steps 1 and 2 of the General Method. Measure the span length (in inches) as illustrated in Figure 11.
- Step 2. From Figure 11 determine the deflection height required for the drive. The deflection height is always 1/64" per inch of span length. For example, a 32" span length requires a deflection of 32/64" or 1/2". To measure the deflection height place a straightedge from sprocket to sprocket on top of the belt or wrap a string or steel tape around the sprockets on top of the belt. This will serve as a reference line to measure deflection inches.
- Step 3. Using the formula at right, calculate the minimum and maximum force values (lbs.).

- Step 4. Using a spring scale, apply a perpendicular force to the belt at the mid-point of the span as illustrated in Figure 1. NOTE: For belts wider than 2 inches, it is suggested that a rigid piece of keystone or something similar be placed across the belt between the point of force and the belt to prevent belt distortion. Compare this deflection force value to that found in Step 3. Adjust belt tension accordingly.

Actual belt installation tension required depends on peak loads, system rigidity, teeth in mesh, etc. In some instances it may be necessary to gradually increase the belt tension to achieve proper operation of the drive.

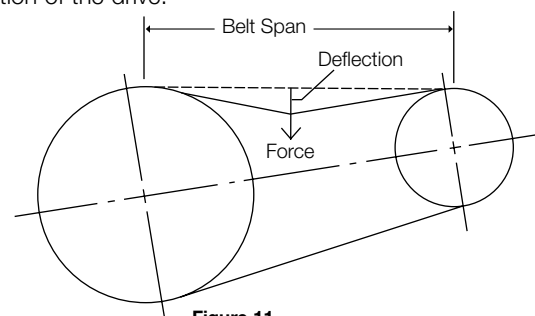


Figure 11

$$\text{Maximum Force} = \frac{4000 \times \text{DHP}}{\text{RPM} \times \text{Pitch Diameter}}$$

$$\text{Minimum Force} = \frac{5000 \times \text{BHP}}{\text{RPM} \times \text{Pitch Diameter}}$$

$$\text{DHP} = \frac{\text{Belt Horsepower or Motor Horsepower}}{\text{Recommended Service Factor}}$$

$$\text{BHP} = \text{Brake Horsepower or Motor Horsepower}$$

$$\text{RPM} = \text{Speed of Fastest Shaft}$$

$$\text{Pitch Diameter} = \text{Diameter of Smallest Sprocket}$$

To determine the diameter of MTO sprockets with a number of teeth other than those listed in our stock offering.

Outside Diameter (mm) 5M RPP Plus =  $(1.5915 \times \text{NGR}) - 1.140$   
Outside Diameter (mm) 8M RPP Plus =  $(2.5565 \times \text{NGR}) - 1.372$   
Outside Diameter (mm) 14M RPP Plus =  $(4.4563 \times \text{NGR}) - 2.794$   
Outside Diameter (mm) 20M RPP Plus =  $(6.3662 \times \text{NGR}) - 4.320$

Outside Diameter (mm) 8M QT Powerchain =  $(2.5433 \times \text{NGR}) - 1.2427$   
Outside Diameter (mm) 14M QT Powerchain =  $(4.4541 \times \text{NGR}) - 2.6627$

NGR = Number of Grooves

To convert (mm) to Inches multiply by .03937

### Materials

Cast Iron Maximum FPM = 6500  
Ductile Iron Maximum FPM = 10,000

### Flanged Sprockets

Due to the tracking characteristics, even on the best aligned drives, all synchronous belts have a tendency to move axially and will ride off the edge of the sprockets.

In order to keep the belt on the sprocket, side flanges are needed.

On all synchronous drives the following conditions should be considered when selecting flanged sprockets.

1. Two Sprocket Drives: One sprocket must have flanges on both sides or both sprockets must have one flange but on opposite sides.
2. Long Center Drives: When the center distance is greater than or equal to eight times the small sprocket diameter, both sprockets should be flanged.
3. Vertical Shaft Drives: One sprocket should be flanged on both sides, all other sprockets in the drive system should have one flange on the bottom side.
4. Multiple Sprocket Drives: Every other sprocket should be flanged on both sides, one flange on each sprocket on alternating sides around the entire system.

Most smaller stock sprockets are flanged (80 tooth and smaller)

## Fixed Centers (No Adjustment)

True fixed center applications are those where no provision for adjustment of driver or driven shaft exist. Fixed centers are not recommended for any synchronous belt drive other than motion transfer (low or no torque) drives. Fixed center drives imply need for exact tolerances. Although length tolerances for synchronous belts are considerably less than those for other belts, no belt can be manufactured without some tolerance. Sprocket manufacturing tolerances also contribute to the fixed center drive problem.

Fixed center applications prevent proper belt installation and tensioning procedures, reduced belt performance can result. The use of an idler can solve the problems associated with fixed center drives. See the page in this section concerning the use of idlers.

## Teeth In Mesh

For a synchronous drive to transmit the full capacity of the belt, it is necessary to have a minimum of 6 teeth in mesh on the driver and all driven wheels in the drive. The two-wheel drives selected from our pre-engineered selection area of our catalog meet this requirement. For drives having less than 6 teeth in mesh, the horsepower of the drive should be multiplied by the proper correction factor.

Teeth in Mesh	Correction Factor
6	1.00
5	0.80
4	0.60
3	0.40
2	0.20

## BELT PULL

The drive designer is often asked by the machine designer for the necessary information to calculate bearing loads. The portion of the bearing load induced by the belt drive is a combination of the sprocket weights and the belt pull. The weights can be found in the dimensional tables for the sprockets. To calculate the approximate belt pull, you will need the following:

1. FPM of the Drive  
$$\text{FPM} = \text{Pitch Diameter} \times \text{RPM} \times .262$$

2. Design Horsepower  
(Driver horsepower X Service factor)

3. Effective Pull = (Design HP x 33000) / FPM

Min. Belt Pull = 1.5 x Effective Belt Pull

Max. Belt Pull = 2.25 x Effective Belt Pull



## Bearing Load Calculations

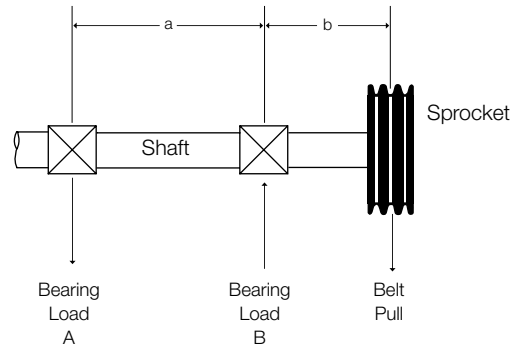
In order to find actual bearing loads, it is necessary to know weights of machine components and the value of all other forces contributing to the load. However, it is sometimes desired to know the bearing load contributed by the belt drive alone. You can find bearing load due to the drive if you know your bearing spacing with respect to the sheave center, and the belt pull as calculated above. To do this use the following formulas:

### A. OVERHUNG SPROCKET

$$\text{Load at B, pounds} = \frac{\text{Belt Pull} \times (a + b)}{a}$$

$$\text{Load at A, pounds} = \text{Belt Pull} \times \frac{b}{a}$$

where: a and b = spacing, inches, per drawing at right



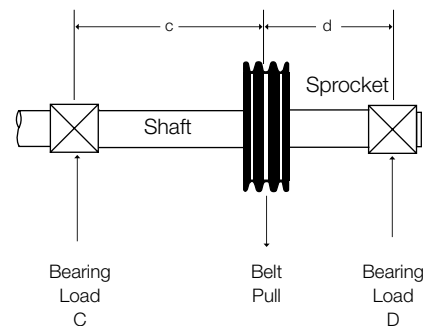
**OVERHUNG SPROCKET**

### B. SPROCKET BETWEEN BEARINGS

$$\text{Load at D, pounds} = \frac{\text{Belt Pull} \times c}{(c + d)}$$

$$\text{Load at C, pounds} = \frac{\text{Belt Pull} \times d}{(c + d)}$$

where: c and d = spacing, inches, per drawing at right



**SPROCKET BETWEEN BEARINGS**

## Use Of Idlers - Synchronous & Timing Drives

Idlers are occasionally used in the design of synchronous belt drives for various reasons:

1. To provide take-up for fixed center drives.
2. To clear obstructions.
3. To subdue belt whip on long center drives.

**NOTE: Do not use spring loaded or weighted idlers on synchronous drives.**

Idlers should be avoided where possible because they either reduce the horsepower rating or shorten belt life. Idlers may be placed either outside or inside the drive. A common serious fault in designing drives is the use of idlers, which are too small. The use of such idlers introduces severe reverse ending stresses in the belt, resulting in drastically reduced belt life.

### OUTSIDE IDLERS

An outside idler increases the number of teeth in mesh, but the amount of take-up, in the case of take-up idlers, will be limited by the belt on the opposite side of the drive. Outside idlers are always flat because they contact the top of the belt. Idlers should be located, if at all possible, on the slack side of the drive. A flat idler pulley, outside, should be located as close as possible to the preceding sprockets. This is because belts move back and forth slightly on a flat pulley and locating it as far away from the next sprocket minimizes the possibility of the belt entering that sprocket in a misaligned condition. Outside flat idlers should be one third larger than the smallest loaded synchronous sprocket. It should be remembered that the smallest loaded synchronous sprocket should not be smaller than the minimum pitch diameter recommended.

### INSIDE IDLERS

An inside idler decreases the number of teeth in mesh on the adjacent sprockets. Inside idlers are usually synchronous sprockets. An inside idler sprocket may be located at any point along the span, preferably so that it gives nearly equal arcs of contact on the two adjacent sprockets. Inside idlers should be at least as large in diameter as the smallest loaded synchronous sprocket. Flat idlers may be used on the inside of a synchronous belt drive if the diameter of the flat pulley is as large as a sprocket which has 40 grooves or more.

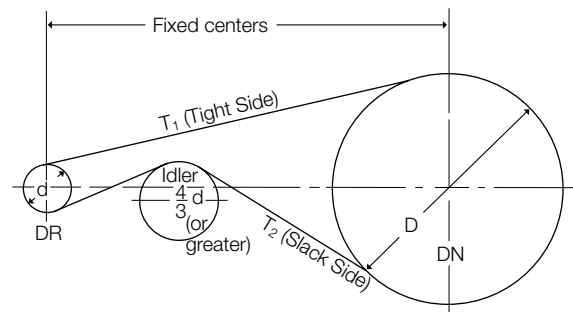
### IDLER MOUNTING

Mounting brackets for idlers should be sturdily constructed and meticulously aligned. It is frequently found that drive problems described as "belt stretch," "belt instability," "short belt life," "belt roughness," "belt vibration," and many others are traceable to flimsy idler brackets, bearings, etc. the idler mounting must be designed to be capable of withstanding forces imposed by the operating belt tensions.

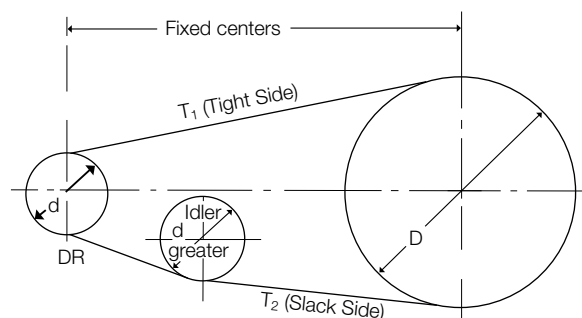
### SERVICE FACTOR

If the necessary recommendations are followed, it is possible to design satisfactory Synchronous drives using idlers. However, idlers always impose an additional bending stress on the belt. This reduces the belt horsepower rating. This is reflected by an addition (**.2 for each idler**) to the service factor when designing. If the horsepower ratings are not reduced to account for the use of an idler, belt life will be reduced. The rating of a drive or its life expectancy is drastically reduced when idlers below the minimum recommended diameter are used. The bending stress induced in the belt becomes greater as the idler diameter becomes smaller.

### CENTER DISTANCES MUST BE FIXED AND RIGID



Typical Outside Flat Idler Arrangement



Typical Inside Idler Arrangement

## Synchronous Drives

Type of Failure	Cause of Failure	Corrective Action
excessive edge wear (exposed tensile member)	misalignment or non-rigid centers	<i>check alignment and/or reinforce mounting</i>
	belt flange	<i>straighten flange</i>
jacket wear on pressure-face side of belt tooth	excessive overload and/or excessive belt tightness	<i>reduce installation tension and/or increase drive load- carrying capacity</i>
excessive jacket wear between belt teeth (exposed tension members)	excessive installation tension	<i>reduce installation tension</i>
cracks in neoprene backing	exposure to excessive low temp (below – 30°F)	<i>eliminate low temperature condition or consult factory for proper belt construction</i>
softening of neoprene backing	exposure to excessive heat (+ 200°F) and/or oil	<i>eliminate high temperature and oil condition or consult factory for proper belt construction</i>
excessive pulley tooth wear (on pressure-face and/or OD)	excessive overload and/or excessive belt tightness	<i>reduce installation tension and/or increase drive load- carrying capacity</i>
	insufficient hardness of pulley material	<i>surface-harden pulley or use harder material</i>
unmounting of flange	incorrect flange installation	<i>reinstall flange correctly</i>
	misalignment	<i>correct alignment</i>
excessive drive noise *	misalignment	<i>correct alignment</i>
	excessive installation tension	<i>reduce tension</i>
	excessive load	<i>increase drive load-carrying capacity</i>
	sub-minimum pulley diameter	<i>increase pulley diameters</i>
tooth shear	less than 6 teeth in mesh (TIM)	<i>increase TIM or use next smaller pitch</i>
	excessive load	<i>increase drive load-carrying capacity</i>
apparent belt stretch	reduction of center distance or non-rigid mounting	<i>retension drive and/or reinforce mounting</i>
cracks or premature wear at belt tooth root	improper pulley groove top radius	<i>regroove or install new pulleys</i>
tensile break	excessive load	<i>increase load-carrying capacity of drive</i>
	sub-minimum pulley diameter	<i>increase pulley diameters</i>

**\*NOTE:** Effective noise reduction for power transmission drives can be accomplished by incorporating a flexible noise absorbing material with the protective guard. The guard design must allow a cooling air passage on the top and bottom to prevent overheating the drive.



# Variable And Wide Range Adjustable Drives

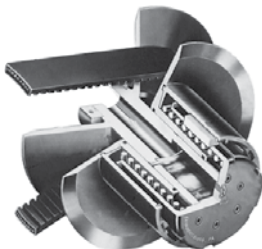
**D1**



## **TWO FLANGE MOVEABLE VARIABLE - TWO SPRING**

**ALL-PRO** 1 - 30 HP @ 1750 RPM - Dry (no) Lubrication.....D1-2 thru D1-7

**MCS** 15 - 125 HP @ 1750 RPM - Oil Lubricated.....D1-8 thru D1-13



## **ONE FLANGE MOVEABLE VARIABLE**

**MS** 1/2 - 25 HP @ 1750 rpm - Oil Lubricated.....D1-14 thru D1-22

**VAR-A-CONE** 1/3 - 1-1/2 HP @ 1750 RPM - Dry (no) Lubrication.....D1-32 thru D1-39



## **TWO FLANGE MOVEABLE**

**ROTO-CONE** 1/2 - 30 HP @ 1750 rpm - Grease Lubrication.....D1-24 thru D1-31



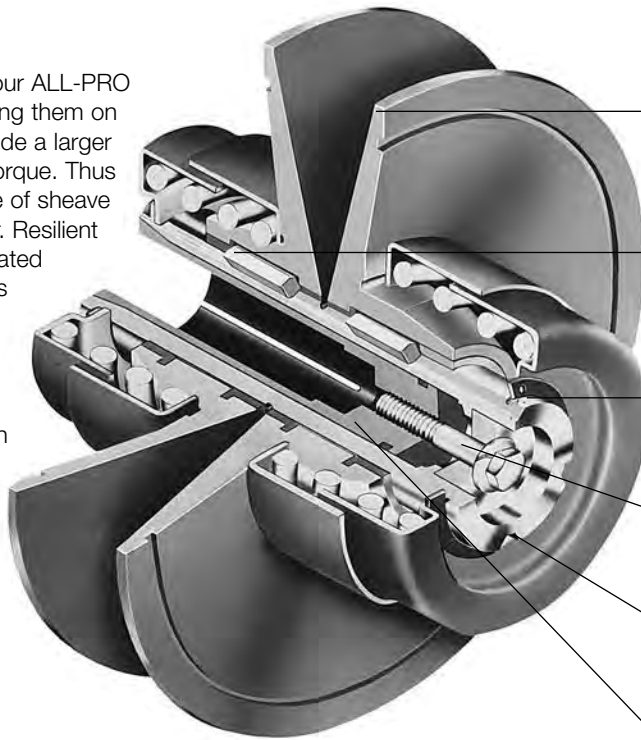
## **WIDE RANGE ADJUSTABLE DRIVES**

**VPS** 7-1/2 - 40 HP @ 1750 RPM - No Lubrication.....D1-44 thru D1-48

# All-Pro Sheave

## Features\*

We rotated the keys 45° in our ALL-PRO variable speed sheave, placing them on edge rather than flat to provide a larger shear area for transmitting torque. Thus we eliminated another cause of sheave failure. Then we went further. Resilient keys and permanently lubricated precision machined bushings eliminate fretting corrosion that leads to seizing. Dynamically-balanced, hard-coated aluminum discs reduce inertia, vibration and wear. A keyless collet provides full 360° gripping action and simplifies installation and removal. The ALL-PRO variable speed sheave is designed to operate in the toughest motion-control application.



Anodized aluminum disks.

Resilient keys transmit torque from hub to disc. No fretting or corrosion. No maintenance.

Precision machined permanently lubricated metallic bushings provide long maintenance-free life.

Quick change operation—just tighten bolt to secure, loosen and tap to remove sheave.

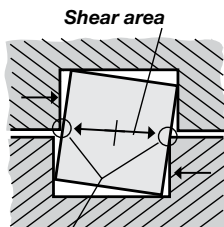
Push out hole provides easy sheave removal, even after years of use.

Interchangeable collet requires no setscrews or keys.

### See the difference . . .

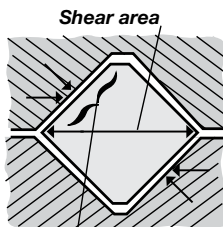
The unique ALL-PRO design provides larger shear area for transmitting torque and dramatically reduces sheave failure.

#### Conventional



High unit loads due to cocking

#### Quadra-Key



Uniform load

## Features

- **Maintenance Free Design**

Resilient keys eliminate need for periodic lubrication and cycling thru speed range.

- **Lightweight Aluminum Construction**

Discs are of aluminum, hard coat anodized to prevent wear. Lightweight construction reduces inertia. Dynamic balancing assures smooth operation.

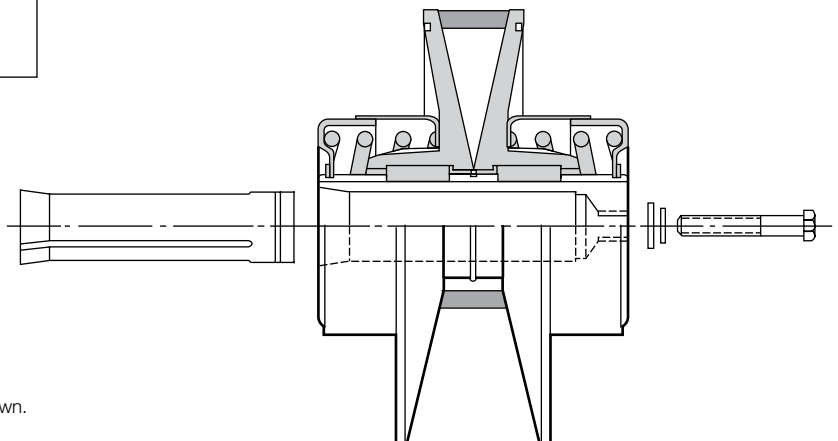
- **Collet Mounting (excludes AP160M & AP200N)**

Interchangeable collets provide positive, vibration-free sheave to shaft fit and simplify installation and removal.

- **1 thru 30 Horsepower**

### Easy on—Easy off

ALL-PRO's easy-on/easy-off collet mounting with 360° gripping action prevents vibration that leads to shaft fretting and burring.



\* Note: AP160M & AP200N ALL-PRO sheaves differ from design shown.

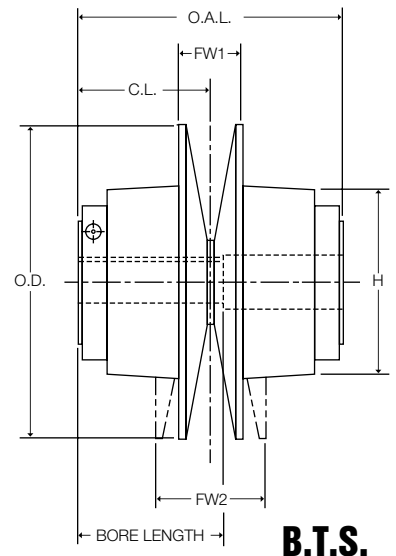
## Selection

MODEL	HP RATING @			BELT	PITCH DIA.		DRIVE CHART PAGE NO.
	3600	1750	1160		MIN.	MAX.	
AP160M	1-1/2 - 3	1 - 1-1/2	3/4 - 1	1422V	2.05	6.25	D1-4
AP160M	1-1/2 - 3	1 - 1-1/2	3/4 - 1	1922V	2.10	6.30	D1-4
AP200N	-	2 - 5	1 - 3	1922V	2.62	7.87	D1-5
AP225P	-	2 - 5	1 - 3	2322V	2.93	8.80	D1-5
AP260T	-	5 - 10	3 - 7-1/2	2926V	3.42	10.20	D1-6
AP260U	-	5 - 10	3 - 7-1/2	3226V	4.23	10.20	-
AP255W	-	7-1/2 - 15	5 - 10	4430V	4.00	10.00	D1-6
AP255S	-	10 - 20	5 - 10	3230HV	4.00	10.00	D1-7
AP321W	-	7-1/2 - 10	5	4430V	4.25	12.75	D1-7
AP322W	-	10 - 20	5 - 10	4430V	4.25	12.75	D1-7
AP323W	-	15 - 30	10 - 20	4430V	4.25	12.75	D1-7

Horsepower ratings are based on constant torque and are shown for maximum pitch diameters. Horsepower ratings at other pitch diameters reduce in proportion to the driven speed.

### STOCK BORES SIZES

MODEL	COLLET NUMBER	BORE LENGTH	STOCK BORES					MAX. BORE
			7/8	1-1/8	1-3/8	1-5/8	1-7/8	
AP160M*	B.T.S.	2-7/8	X					7/8
AP200N*	B.T.S.	3-1/4	X	X				1-1/8
AP225P	AP1C	3-5/16	X	X				1-3/16
AP260T	AP2C	3-1/2	X	X	X			1-1/2
AP260U	AP2C	3-1/2	X	X	X			1-1/2
AP255W	AP3C	4-3/4			X	X	X	1-15/16
AP255S	AP3C	4-3/4			X	X	X	1-15/16
AP321W	AP3C	4-3/4			X	X	X	1-15/16
AP322W	AP3C	4-3/4			X	X	X	1-15/16
AP323W	AP3C	4-3/4			X	X	X	1-15/16

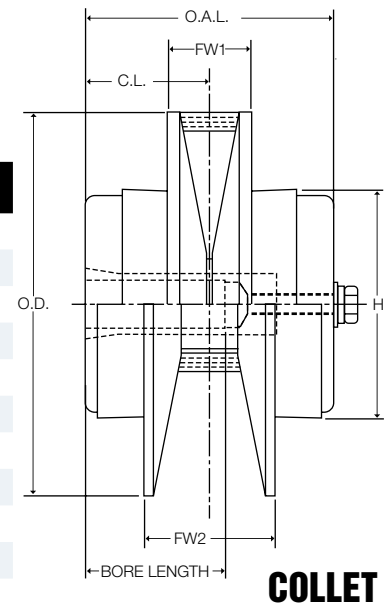


\*Can be used in thru bore applications.

ORDERING EXAMPLE: AP200N x 1-1/8  
AP225P & AP1C x 1-1/8

### ALL-PRO SHEAVE DIMENSIONS

MODEL	O.D.	H	O.A.L.	C.L.	F.W. 1	F.W. 2	WT. LBS.
AP160M	6.50	4.00	5.50	2.75	1.46	2.26	7
AP200N	8.10	5.20	6.13	3.07	1.46	2.47	8.5
AP225P	9.05	5.40	5.75	2.88	1.94	3.00	15.5
AP260T	10.50	5.40	7.48	3.74	2.31	3.81	22.8
AP260U	10.50	5.40	7.48	3.74	2.31	3.81	22.8
AP255W	10.40	6.67	9.60	4.80	3.38	5.00	35.8
AP255S	10.40	6.67	9.60	4.80	2.62	4.25	35.8
AP321W	13.00	6.67	9.60	4.80	3.31	5.56	38.8
AP322W	13.00	6.67	9.60	4.80	3.31	5.56	38.8
AP323W	13.00	6.67	9.60	4.80	3.31	5.56	38.8



Weight includes collet where used.



## Selection Charts

### AP160M (1422V BELT)

DRIVEN SPEEDS			PRODUCT NUMBER	GROOVED COMPANION SHEAVE	CENTER DISTANCE IN INCHES AT MAXIMUM AND MINIMUM SPEEDS							
3500 RPM Motor	1750 RPM Motor	1160 RPM Motor			VARIABLE SPEED V-BELT PART NUMBER							
					1422V 360	1422V 420	1422V 480	1422V 540	1422V 600	1422V 660	1422V 720	1422V 780
4167	2083	1381	<b>531M</b>	5.3 x 1M-SH	8.95	11.96	14.96	17.96	20.96	23.96	26.96	29.96
1367	683	453			12.15	15.17	18.19	21.20	24.21	27.21	30.22	33.22
3804	1902	1261	<b>581M</b>	5.8 x 1M-SH	8.57	11.57	14.56	17.57	20.57	23.57	26.57	29.57
1248	624	414			11.72	14.75	17.77	20.78	23.79	26.80	29.81	32.82
3241	1620	1074	<b>681M</b>	6.8 x 1M-SH	7.78	10.79	13.79	16.79	19.79	22.79	25.79	28.79
1063	531	352			10.82	13.87	16.91	19.94	22.96	25.97	28.98	31.99
2833	1411	935	<b>781M</b>	7.8 x 1M-SH	-	9.97	12.98	15.98	18.99	21.99	24.99	27.99
926	463	307			-	12.97	16.03	19.07	22.10	25.13	28.15	31.16
2500	1250	829	<b>881M</b>	8.8 x 1M-SH	-	9.13	12.15	15.16	18.17	21.18	24.18	27.19
820	410	272			-	12.03	15.12	18.19	21.23	24.27	27.29	30.32
2244	1122	744	<b>981M</b>	†9.8 x 1M-SH	-	-	11.29	14.32	17.34	20.35	23.36	26.37
736	368	244			-	-	14.18	17.28	20.34	23.39	26.43	29.46
2035	1017	674	<b>1081M</b>	†10.8 x 1M-SH	-	-	10.39	13.44	16.48	19.51	22.52	25.54
667	334	221			-	-	13.21	16.34	19.43	22.50	25.55	28.59
1862	931	617	<b>1181M</b>	†11.8 x 1M-SH	-	-	-	12.54	15.60	18.64	21.67	24.70
611	305	202			-	-	-	15.37	18.49	21.58	24.65	27.70
1591	795	527	<b>1381M</b>	†13.8 x 1M-SH	-	-	-	-	13.75	16.84	19.91	22.96
522	261	173			-	-	-	-	16.53	19.68	22.80	25.89

### AP160M (1922V BELT)

DRIVEN SPEED			PRODUCT NUMBER	GROOVED COMPANION SHEAVE	CENTER DISTANCE IN INCHES AT MAXIMUM AND MINIMUM SPEEDS											
3500 RPM Motor	1750 RPM Motor	1160 RPM Motor			VARIABLE SPEED V-BELT PART NUMBER											
					1922V 443	1922V 460	1922V 526	1922V 604	1922V 646	1922V 686	1922V 721	1922V 751	1922V 806	1922V 891	1922V 1006	1922V 1146
3340	1670	1107	<b>661N</b>	6.6 x 1N-SK	12.0	12.9	16.2	20.1	22.2	24.2	25.9	27.4	30.2	34.4	40.2	47.2
1114	557	369			15.2	16.0	19.4	23.3	25.4	27.4	29.1	30.6	33.4	37.7	43.4	50.4
2900	1450	962	<b>761N</b>	7.6 x 1N-SK	11.2	12.1	15.4	19.3	21.4	23.4	25.1	26.6	29.4	33.6	39.4	46.4
968	484	321			14.3	15.1	18.5	22.4	24.5	26.5	28.3	29.8	32.6	36.8	42.6	49.6
2564	1282	849	<b>861N</b>	8.6 x 1N-SK	10.4	11.3	14.6	18.5	20.6	22.6	24.3	25.8	28.6	32.8	38.6	45.6
854	427	283			13.4	14.2	17.6	21.6	23.7	25.7	27.5	29.0	31.7	36.0	41.8	48.8
2296	1148	761	<b>961N</b>	9.6 x 1N-SK	9.5	10.4	13.7	17.6	19.8	21.8	23.5	25.0	27.8	32.0	37.8	44.8
766	383	254			12.4	13.3	16.7	20.7	22.8	24.8	26.6	28.1	30.9	35.2	41.0	48.0
2080	1040	689	<b>1061N</b>	10.6 x 1N-SK	-	9.5	12.8	16.8	18.9	20.9	22.7	24.2	26.9	31.2	37.0	44.0
694	347	230			-	12.3	15.8	19.8	21.9	24.0	25.7	27.2	30.0	34.3	40.1	47.1
1900	950	630	<b>1161N</b>	11.6 x 1N-SK	-	-	11.9	15.9	18.0	20.1	21.8	23.3	26.1	30.4	36.1	43.1
634	317	210			-	-	14.8	18.8	21.0	23.0	24.8	26.4	29.1	33.4	39.2	46.3
1622	811	537	<b>1361N</b>	13.6 x 1N-SK	-	-	-	14.1	16.3	18.3	20.1	21.6	24.4	28.7	34.5	41.5
540	270	179			-	-	-	16.9	19.1	21.2	23.0	24.6	27.4	31.7	37.5	44.6
1412	706	468	<b>1561N</b>	15.6 x 1N-SK	-	-	-	12.1	14.4	16.4	18.3	19.8	22.6	27.0	32.8	39.8
472	236	156			-	-	-	14.7	17.1	19.2	21.2	22.6	25.5	29.9	35.8	42.9
1252	626	415	<b>1761N</b>	17.6 x 1N-SK	-	-	-	-	-	14.4	16.3	17.9	20.8	25.1	31.0	38.1
418	209	138			-	-	-	-	-	-	17.0	19.0	20.6	23.5	28.0	33.9

Refer to table on page D1—52 for additional belts available.

†Check with factory for availability.

## Selection Charts

### AP200N (1922V BELT)

DRIVEN SPEED		PRODUCT NUMBER	GROOVED COMPANION SHEAVE	CENTER DISTANCE IN INCHES AT MAXIMUM AND MINIMUM SPEEDS											
1750 RPM Motor	1160 RPM Motor			VARIABLE SPEED V-BELT PART NUMBER											
				1922V 443	1922V 460	1922V 526	1922V 604	1922V 646	1922V 686	1922V 721	1922V 751	1922V 806	1922V 891	1922V 1006	1922V 1146
2086	1383	<b>661N</b>	6.6 x 1N-SK	10.8	11.6	15.0	18.9	21.0	23.0	24.7	26.2	29.0	33.2	39.0	45.9
695	461			14.8	15.6	19.0	22.9	25.0	27.0	28.8	30.3	33.0	37.3	43.0	50.1
1812	1201	<b>761N</b>	7.6 x 1N-SK	10.0	10.9	14.2	18.1	20.2	22.2	23.9	25.4	28.2	32.4	38.2	45.2
604	400			13.9	14.8	18.1	22.0	24.2	26.2	27.9	29.4	32.2	36.4	42.2	49.2
1601	1061	<b>861N</b>	8.6 x 1N-SK	-	10.1	13.4	17.3	19.4	21.4	23.1	24.6	27.4	31.6	37.4	44.4
534	354			-	13.9	17.2	21.2	23.3	25.3	27.1	28.6	31.3	35.6	41.4	48.4
1435	951	<b>961N</b>	9.6 x 1N-SK	-	-	12.5	16.5	18.6	20.6	22.3	23.8	26.6	30.8	36.6	43.6
478	317			-	-	16.3	20.3	22.4	24.5	26.2	27.8	30.5	34.8	40.6	47.6
1299	861	<b>1061N</b>	10.6 x 1N-SK	-	-	11.7	15.7	17.8	19.8	21.5	23.0	25.8	30.0	35.8	42.8
433	287			-	-	15.4	19.4	21.6	23.6	25.4	26.9	29.7	33.9	39.7	46.8
1187	787	<b>1161N</b>	11.6 x 1N-SK	-	-	10.9	14.8	16.9	18.9	20.7	22.2	25.0	29.2	35.0	42.0
396	262			-	-	14.4	18.5	20.6	22.7	24.5	26.0	28.8	33.1	38.9	45.9
1012	671	<b>1361N</b>	13.6 x 1N-SK	-	-	-	13.0	15.2	17.2	19.0	20.5	23.3	27.6	33.3	40.4
337	224			-	-	-	16.6	18.8	20.9	22.7	24.2	27.0	31.3	37.2	44.2
883	585	<b>1561N</b>	15.6 x 1N-SK	-	-	-	-	13.3	15.4	17.2	18.7	21.5	25.8	31.6	38.7
294	195			-	-	-	-	16.7	18.9	20.7	22.3	25.2	29.4	35.4	42.5
782	518	<b>1761N</b>	17.6 x 1N-SK	-	-	-	-	-	-	15.3	16.9	19.7	24.1	29.9	37.0
261	173			-	-	-	-	-	-	-	18.6	20.3	23.2	27.7	33.6

### AP225P (2322V BELT)

DRIVEN SPEED		PRODUCT NUMBER	GROOVE COMPANION SHEAVE	CENTER DISTANCE IN INCHES AT MAXIMUM AND MINIMUM SPEEDS										
1750 RPM Motor	1160 RPM Motor			BELT PART NUMBER										
				2322V 441	2322V 481	2322V 521	2322V 541	2322V 601	2322V 661	2322V 681	2322V 721	2322V 801	2322V 1001	2322V 1061
2333	1547	<b>661P</b>	6.6 x 1P-SK	9.89	11.90	13.91	14.91	17.92	20.92	21.92	23.93	27.93	37.94	40.94
777	515			14.44	16.45	18.47	19.47	22.48	25.49	26.50	28.50	32.51	42.52	45.52
2026	1343	<b>761P</b>	7.6 x 1P-SK	-	11.15	13.15	14.15	17.16	20.16	21.16	23.16	27.16	37.16	40.16
675	447			-	15.59	17.61	18.62	21.64	24.66	25.66	27.67	31.69	41.71	44.71
1791	1187	<b>861P</b>	8.6 x 1P-SK	-	10.38	12.38	13.38	16.38	19.38	20.38	22.38	26.38	36.38	39.38
596	395			-	14.70	16.74	17.75	20.78	23.81	24.82	26.83	30.85	40.89	43.89
1604	1063	<b>961P</b>	9.6 x 1P-SK	-	-	11.59	12.59	15.59	18.59	19.59	21.59	25.59	35.59	38.59
534	354			-	-	15.83	16.86	19.91	22.95	23.96	25.98	30.01	40.06	43.07
1433	950	<b>1081P</b>	10.8 x 1P-SK	-	-	-	11.65	14.66	17.66	18.67	20.67	24.67	34.68	37.68
477	316			-	-	-	15.79	18.87	21.93	22.95	24.98	29.02	39.09	42.11
1311	869	<b>1181P</b>	11.8 x 1P-SK	-	-	-	-	13.82	16.84	17.84	19.85	23.86	33.87	36.88
436	289			-	-	-	-	17.95	21.03	22.05	24.09	28.15	38.24	41.26
1120	742	<b>1381P</b>	13.8 x 1P-SK	-	-	-	-	-	15.12	16.13	18.15	22.19	32.23	35.24
373	247			-	-	-	-	-	-	19.15	20.19	22.25	26.36	36.52
978	648	<b>1581P</b>	15.8 x 1P-SK	-	-	-	-	-	-	14.32	16.37	20.45	30.55	33.57
326	216			-	-	-	-	-	-	18.22	20.33	24.99	34.74	37.79
868	575	<b>1781P</b>	17.8 x 1P-SK	-	-	-	-	-	-	-	-	18.63	28.82	31.86
289	191			-	-	-	-	-	-	-	-	-	22.55	32.92

Refer to table on page D1-52 and D1-53 for additional belts available.

## Selection Charts

### AP260T (2926V BELT)

DRIVEN SPEED		PRODUCT NUMBER	GROOVED COMPANION SHEAVE	CENTER DISTANCE IN INCHES AT MAXIMUM AND MINIMUM SPEEDS							
1750 RPM Motor	1160 RPM Motor			BELT PART NUMBER							
				2926V 574	2926V 606	2926V 646	2926V 686	2926V 726	2926V 834	2926V 906	2926V 1006
2360	1567	<b>761T</b>	7.6 x 1T-SK	14.61	16.22	18.23	20.23	22.24	27.64	31.25	36.25
788	522			19.93	21.53	23.54	25.55	27.56	32.97	36.58	41.59
2086	1383	<b>861T</b>	8.6 x 1T-SK	13.87	15.47	17.47	19.47	21.48	26.88	30.48	35.48
696	461			19.07	20.68	22.70	24.71	26.72	32.14	35.76	40.77
1868	1239	<b>961T</b>	9.6 x 1T-SK	13.10	14.70	16.70	18.70	20.71	26.11	29.71	34.71
623	413			18.19	19.81	21.84	23.86	25.87	31.31	34.92	39.94
1692	1122	<b>1061T</b>	10.6 x 1T-SK	12.32	13.92	15.92	17.92	19.92	25.32	28.92	33.92
565	374			17.29	18.92	20.96	22.99	25.01	30.46	34.08	39.11
1546	1025	<b>1161T</b>	11.6 x 1T-SK	-	13.12	15.12	17.12	19.12	24.53	28.13	33.13
516	342			-	18.01	20.06	22.10	24.13	29.60	33.23	38.27
1319	874	<b>1361T</b>	13.6 x 1T-SK	-	-	13.45	15.47	17.48	22.90	26.51	31.52
440	292			-	-	18.18	20.26	22.32	27.83	31.49	36.55
1150	762	<b>1561T</b>	15.6 x 1T-SK	-	-	-	-	15.75	21.21	24.84	29.86
384	254			-	-	-	-	20.41	26.00	29.69	34.79
1019	676	<b>1761T</b>	17.6 x 1T-SK	-	-	-	-	-	19.45	23.11	28.16
340	225			-	-	-	-	-	24.10	27.84	32.98
915	607	<b>1961T</b>	19.6 x 1T-SK	-	-	-	-	-	17.60	21.31	26.41
305	202			-	-	-	-	-	22.11	25.91	31.11

### AP255W (4430V BELT)

DRIVEN SPEED		PRODUCT NUMBER	GROOVED COMPANION SHEAVE	CENTER DISTANCE IN INCHES AT MAXIMUM AND MINIMUM SPEEDS								
1750 RPM Motor	1160 RPM Motor			BELT PART NUMBER								
				4430V 730	4430V 790	4430V 850	4430V 910	4430V 970	4430V 1030	4430V 1090	4430V 1150	4430V 1320
1750	1160	<b>1001W</b>	10.0 x 1W-SF	20.79	23.79	26.79	29.79	32.79	35.79	38.79	41.79	50.29
744	493			25.13	28.15	31.16	34.18	37.19	40.19	43.20	46.21	54.72
1591	1055	<b>1101W</b>	11.0 x 1W-SF	20.00	23.00	26.00	29.00	32.00	35.00	38.00	41.00	49.50
676	448			24.27	27.30	30.32	33.34	36.35	39.36	42.38	45.38	53.91
1458	967	<b>1201W</b>	12.0 x 1W-SF	19.19	22.19	25.20	28.20	31.20	34.20	37.20	40.21	48.71
620	411			23.39	26.43	29.46	32.49	35.51	38.52	41.54	44.45	53.08
1346	892	<b>1301W</b>	13.0 x 1W-SF	18.37	21.38	24.38	27.39	30.39	33.40	36.40	39.40	47.91
572	379			22.50	25.55	28.59	31.62	34.65	37.68	40.70	43.71	52.25
1250	829	<b>1401W</b>	14.0 x 1W-SF	17.52	20.54	23.56	26.57	29.57	32.58	35.59	38.59	47.10
531	352			21.58	24.65	27.70	30.75	33.79	36.82	39.84	42.86	51.41
1167	773	<b>1501W</b>	15.0 x 1W-SF	16.66	19.69	22.71	25.73	28.74	31.76	34.76	37.77	46.29
496	329			20.64	23.73	26.80	29.86	32.91	35.95	38.98	42.01	50.57
1094	725	<b>1601W</b>	16.0 x 1W-SF	15.77	18.82	21.85	24.88	27.90	30.92	33.93	36.94	45.47
465	308			19.68	22.80	25.89	28.96	32.02	35.07	38.11	41.14	49.72
972	644	<b>1801W</b>	18.0 x 1W-SF	-	17.01	20.08	23.14	26.18	29.21	32.24	35.26	43.81
413	274			-	20.85	23.99	27.10	30.19	33.27	36.33	39.38	47.99
875	580	<b>2001W</b>	20.0 x 1W-SF	-	-	18.22	21.31	24.39	27.45	30.49	33.53	42.11
372	247			-	-	22.01	25.17	28.30	31.41	34.50	37.57	46.23
795	527	<b>2201W</b>	22.0 x 1W-SF	-	-	-	19.40	22.52	25.62	28.70	31.76	40.38
338	224			-	-	-	23.16	26.34	29.49	32.61	35.72	44.43
729	483	<b>2201W</b>	22.0 x 1W-SF	-	-	-	-	20.57	23.72	26.83	29.93	38.61
310	205			-	-	-	-	24.29	27.50	30.66	33.80	42.60
625	414	<b>2801W</b>	28.0 x 1W-E	-	-	-	-	-	-	22.86	26.05	34.93
266	176			-	-	-	-	-	-	-	26.53	29.78

Refer to table on page D1-53 for additional belts available.

## AP255S (3230HV BELT)

## Selection Charts

DRIVEN SPEED		PRODUCT NUMBER	GROOVED COMPANION SHEAVE	CENTER DISTANCE IN INCHES AT MAXIMUM AND MINIMUM SPEEDS									
1750 RPM Motor	1160 RPM Motor			VARIABLE SPEED V-BELT PART NUMBER									
				3230 HV 603	3230 HV 613	3230 HV 626	3230 HV 644	3230 HV 685	3230 HV 702	3230 HV 723	3230 HV 856	3230 HV 960	3230 HV 1060
1842	1221	<b>951S</b>	9.5 x 1S-SF	14.83	15.33	15.98	16.88	18.93	19.78	20.83	27.48	32.68	37.68
783	519			19.16	19.66	20.32	21.22	23.29	24.14	25.20	31.88	37.10	42.11
1750	1160	<b>1001S</b>	10.0 x 1S-SF	14.44	14.94	15.59	16.49	18.54	19.39	20.44	27.09	32.29	37.29
744	493			18.72	19.23	19.88	20.79	22.86	23.72	24.78	31.46	36.68	41.70
1591	1055	<b>1101S</b>	11.0 x 1S-SF	13.64	14.14	14.80	15.70	17.75	18.60	19.65	26.30	31.50	36.50
676	448			17.83	18.34	19.00	19.91	21.99	22.85	23.91	30.62	35.85	40.87
1458	967	<b>1201S</b>	12.0 x 1S-SF	12.83	13.33	13.98	14.88	16.94	17.79	18.84	25.50	30.70	35.70
620	411			16.91	17.43	18.09	19.01	21.10	21.97	23.04	29.76	35.00	40.03
1346	892	<b>1301S</b>	13.0 x 1S-SF	-	12.49	13.14	14.05	16.11	16.96	18.02	24.68	29.89	34.70
572	379			-	16.49	17.16	18.09	20.20	21.07	22.14	28.89	34.15	39.19
1250	829	<b>1401S</b>	14.0 x 1S-SF	-	-	-	13.18	15.26	16.11	17.17	23.86	29.07	34.08
531	352			-	-	-	17.14	19.26	20.14	21.22	28.01	33.28	38.33
1167	773	<b>1501S</b>	15.0 x 1S-SF	-	-	-	-	14.38	15.24	16.31	23.02	28.24	33.26
496	329			-	-	-	-	18.31	19.19	20.28	27.11	32.40	37.46
1094	725	<b>1601S</b>	16.0 x 1S-SF	-	-	-	-	-	14.34	15.42	22.16	27.40	32.43
465	308			-	-	-	-	-	18.21	19.31	26.19	31.51	36.59
972	644	<b>1801S</b>	18.0 x 1S-SF	-	-	-	-	-	-	-	20.39	25.67	30.72
413	274			-	-	-	-	-	-	-	24.31	29.68	34.80
875	580	<b>2001S</b>	20.0 x 1S-SF	-	-	-	-	-	-	-	18.53	23.88	28.97
372	247			-	-	-	-	-	-	-	22.33	27.78	32.96

## AP321W, AP322W, & AP323W (4430V BELT)

DRIVEN SPEED		PRODUCT NUMBER	GROOVED COMPANION SHEAVE	CENTER DISTANCE IN INCHES AT MAXIMUM AND MINIMUM SPEEDS									
1750 RPM Motor	1160 RPM Motor			BELT PART NUMBER									
				4430V 730	4430V 790	4430V 850	4430V 910	4430V 970	4430V 1030	4430V 1090	4430V 1150	4430V 1320	
2231	1479	<b>1001W</b>	10.0 x 1W-SF	18.57	21.58	24.59	27.59	30.60	33.60	36.60	39.60	48.11	
744	493			25.13	28.15	31.16	34.18	37.19	40.19	43.20	46.21	54.72	
2028	1345	<b>1101W</b>	11.0 x 1W-SF	17.87	20.82	23.83	26.83	29.83	32.83	35.83	38.83	47.34	
676	448			24.27	27.30	30.32	33.34	36.35	39.36	42.38	45.38	53.91	
1859	1233	<b>1201W</b>	12.0 x 1W-SF	17.05	20.06	23.06	26.06	29.06	32.06	35.06	38.06	46.56	
620	411			23.39	26.43	29.46	32.49	35.51	38.52	41.54	44.55	53.08	
1716	1138	<b>1301W</b>	13.0 x 1W-SF	16.27	19.27	22.27	25.27	28.27	31.27	34.27	37.27	45.77	
572	379			22.50	25.55	28.59	31.62	34.65	37.68	40.70	43.71	52.25	
1594	1056	<b>1401W</b>	14.0 x 1W-SF	15.47	18.48	21.48	24.48	27.48	30.48	33.48	36.48	44.98	
531	352			21.58	24.65	27.70	30.75	33.79	36.82	39.84	42.86	51.41	
1488	986	<b>1501W</b>	15.0 x 1W-SF	-	17.66	20.67	23.67	26.68	29.68	32.68	35.68	44.19	
496	329			-	23.73	26.80	29.86	32.91	35.95	38.98	42.01	50.57	
1395	924	<b>1601W</b>	16.0 x 1W-SF	-	16.83	19.84	22.85	25.86	28.87	31.87	34.88	43.38	
465	308			-	22.80	25.89	28.96	32.02	35.07	38.11	41.14	49.72	
1240	822	<b>1801W</b>	18.0 x 1W-SF	-	-	18.14	21.17	24.19	27.21	30.22	33.23	41.76	
413	274			-	-	23.99	27.10	30.19	33.27	36.33	39.38	47.99	
1116	740	<b>2001W</b>	20.0 x 1W-SF	-	-	-	19.41	22.46	25.50	28.53	31.55	40.10	
372	247			-	-	-	25.17	28.30	31.41	34.50	37.57	46.23	
1014	672	<b>2201W</b>	22.0 x 1W-SF	-	-	-	-	20.65	23.72	26.78	29.82	38.40	
338	224			-	-	-	-	26.34	29.49	32.61	35.72	44.43	
930	616	<b>2401W</b>	24.0 x 1W-SF	-	-	-	-	-	21.87	24.96	28.03	36.67	
310	205			-	-	-	-	-	-	27.50	30.66	33.80	42.60
797	528	<b>2801W</b>	28.0 x 1W-E	-	-	-	-	-	-	-	24.25	33.06	
266	176			-	-	-	-	-	-	-	-	29.78	38.78

Refer to table on page D1-53 for additional belts available.

# MCS Sheave

---

## Features



Wood's MCS sheaves incorporate a proven lubrication system that eliminates fretting corrosion, freezing, and sticking. Wood's exclusive cam followers exert side wall pressure on the belt in proportion to the torque required to carry the load. As the load increases, so does the grip on the belt. Thus, constant pitch diameter and constant speed are maintained under varying torque loads. Heavy thrust springs are not constantly squeezing the flanges against the belt and cam pressure is exerted only when the load requires it, greatly prolonging belt life.

- **15 thru 125 HP @ 1750 RPM**
- **Rugged Cast Iron Construction**
- **Dynamically Balanced**
- **V to V Operation**
- **Exclusive Oil Lube Design**
- **Cam Assisted Operation**
- **Proven Reliability**

**NOTE:** MCS sheaves are not recommended for vertical shaft applications or on applications involving the use of plug reversing or plug stop motors.

## Selection Charts

PRODUCT NO.	HP RATING @		BELT	PITCH DIA.		DRIVE CHART PAGE NO.
	1750	1160		MIN.	MAX.	
<b>MCS-10W-HD</b>	15	7-1/2 - 10	4430V	5.00	10.00	D1-10
<b>MCS-12W-HD</b>	15 - 20	7-1/2 - 15	4430V	6.00	12.00	D1-10
<b>MCS-12S</b>	15 - 25	7-1/2 - 15	3230HV	6.00	12.00	D1-11
<b>MCS-13S</b>	*25 - 30	15 - 20	3230HV	6.38	12.75	D1-11
<b>MCS-13-Y</b>	*25 - 40	15 - 30	4836V	6.38	12.75	D1-12
<b>MCS-14-Y</b>	*40 - 60	25 - 40	4836V	7.00	14.00	D1-12
<b>MCS-15-Y</b>	*60 - 125	40 - 75	4836V	10.00	15.00	D1-13

Horsepower ratings are based on constant torque and are shown for maximum pitch diameters.

Horsepower ratings at other pitch diameters reduce in proportion the driven speed.

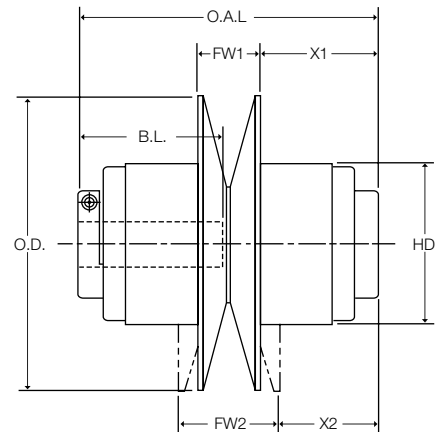
\* Use MBA motor base only.

### STOCK BORE SIZES

PRODUCT NO.	1-5/8	1-7/8	2-1/8	2-3/8	2-7/8	MAX. BORE
<b>MCS-10W-HD</b>	X	X	-	-	-	1-7/8
<b>MCS-12W-HD</b>	X	X	-	-	-	1-7/8
<b>MCS-12S</b> ▲	X	X	-	-	-	1-7/8
<b>MCS-13S</b> ▲	-	X	-	-	-	1-7/8
<b>MCS-13-Y</b> ▲	-	X	X	-	-	2-1/8
<b>MCS-14-Y</b> ▲	-	-	X	X	-	2-7/8
<b>MCS-15-Y</b> ▲	-	-	-	X	X	2-7/8

▲ Clamp hub style.

ORDERING EXAMPLE: MCS12S x 1-5/8



### MCS SHEAVE DIMENSIONS

PRODUCT NO.	O.D.	HD	O.A.L.	B.L.	FW 1	X1	FW2	X2	WT. LBS.
<b>MCS-10W-HD</b>	10.40	6-3/4	9-3/4	5-13/16	3-1/4	3.09	4-9/16	2-7/16	57
<b>MCS-12W-HD</b>	12-1/4	6-3/4	9-3/4	5-3/4	3-1/4	3.09	4-13/16	2-5/16	63
<b>MCS-12S</b>	12-1/4	6-3/4	9-9/16	6	2-1/2	3-3/16	4-1/16	2-3/8	69
<b>MCS-13S</b>	13	6-3/4	9-9/16	6	2-1/2	3-3/16	4-3/16	2-5/16	67
<b>MCS-13-Y</b>	13	6-5/8	10-15/16	6	3.40	3-3/8	5-1/2	2.34	72
<b>MCS-14-Y</b>	14.45	9.26	14	7-1/2	3-3/4	4.53	6.02	3.4	200
<b>MCS-15Y</b>	15.45	9.26	14	7-1/2	3-3/4	4.53	5.37	3.72	200

For optional Sight-Lube lubrication system, refer to D1-23.

## Selection Charts

### MCS-10W-HD (4430V BELT)

DRIVEN SPEED		PRODUCT NUMBER	GROOVED COMPANION SHEAVE	CENTER DISTANCE IN INCHES AT MAXIMUM AND MINIMUM SPEEDS												
1750 RPM Motor	1160 RPM Motor			VARIABLE SPEED V-BELT NUMBER												
				4430V 555	4430V 576	4430V 610	4430V 630	4430V 660	4430V 690	4430V 730	4430V 790	4430V 850	4430V 910	4430V 970	4430V 1090	4430V 1320
2188	1450	801W	8.0 x 1W-SF	13.5	14.7	16.2	17.2	18.7	20.2	22.2	25.2	31.2	34.2	40.2	51.7	
1094	725			17.4	18.6	20.1	21.2	22.6	24.1	26.1	29.1	32.1	35.1	38.1	44.1	55.6
2059	1365	851W	8.5 x 1W-SF	13.1	14.3	15.8	16.8	18.3	19.8	21.8	24.8	27.8	30.8	33.8	39.8	51.3
1029	682			16.9	18.2	19.7	20.7	22.2	23.7	25.7	28.7	31.7	34.7	37.7	43.7	55.2
1944	1299	901W	9.0 x 1W-SF	12.7	13.9	15.4	16.4	17.9	19.4	21.4	24.4	27.4	30.4	33.5	39.5	51.0
972	644			16.5	17.8	19.3	20.3	21.8	23.3	25.3	28.3	31.3	34.3	37.3	43.3	54.8
1842	1221	951W	9.5 x 1W-SF	12.3	13.6	15.1	16.1	17.6	19.1	21.0	24.0	27.0	30.1	33.1	39.1	50.6
921	611			16.1	17.3	18.9	19.9	21.4	22.9	24.9	27.9	30.9	33.9	36.9	42.9	54.4
1750	1160	1001W	10.0 x 1W-SF	11.9	13.2	14.7	15.7	17.2	18.7	20.7	23.7	26.7	29.7	32.7	38.7	50.2
875	580			15.6	16.9	18.4	19.4	20.9	22.5	24.5	27.5	30.5	33.5	36.5	42.5	54.0
1591	1054	1101W	11.0 x 1W-SF	11.0	12.4	13.9	14.9	16.4	17.9	19.9	22.9	25.9	28.9	31.9	37.9	49.4
795	527			14.7	16.0	17.6	18.6	20.1	21.6	23.6	26.6	29.7	32.7	35.7	41.7	53.2
1458	967	1201W	12.0 x 1W-SF	-	11.6	13.1	14.1	15.6	17.1	19.1	22.1	25.1	28.1	31.1	37.1	48.6
729	483			-	15.1	16.7	17.7	19.2	20.7	22.7	25.8	28.8	31.8	34.8	40.9	52.4
1346	892	1301W	13.0 x 1W-SF	-	-	12.4	13.2	14.7	16.2	18.2	21.2	24.3	27.3	30.3	36.3	47.8
673	446			-	-	15.9	16.8	18.3	19.8	21.9	24.9	28.0	31.0	34.0	40.0	51.6
1250	828	1401W	14.0 x 1W-SF	-	-	-	12.5	13.9	15.4	17.4	20.4	23.4	26.5	29.5	35.5	47.0
625	414			-	-	-	16.0	17.3	18.9	21.0	24.0	27.1	30.1	33.2	39.2	50.8
1167	773	1501W	15.0 x 1W-SF	-	-	-	-	13.2	14.5	16.5	19.6	22.6	25.6	28.6	34.7	46.2
583	387			-	-	-	-	16.5	18.0	20.0	23.1	26.2	29.2	32.3	38.3	49.9
1094	725	1601W	16.0 x 1W-SF	-	-	-	-	-	13.8	15.7	18.7	21.7	24.8	27.8	33.8	45.4
547	363			-	-	-	-	-	17.1	19.1	22.2	25.3	28.3	31.4	37.5	49.1
972	644	1801W	18.0 x 1W-SF	-	-	-	-	-	-	-	16.9	20.0	23.0	26.1	32.1	43.7
486	322			-	-	-	-	-	-	-	-	19.2	24.4	26.5	29.6	35.7
875	580	2001W	20.0 x 1W-SF	-	-	-	-	-	-	-	-	18.1	21.2	24.3	30.4	42.0
438	290			-	-	-	-	-	-	-	-	-	21.4	24.6	22.7	33.9
795	527	2201W	22.0 x 1W-SF	-	-	-	-	-	-	-	-	-	19.3	22.4	28.6	40.3
398	264			-	-	-	-	-	-	-	-	-	22.6	25.8	32.0	43.9
729	483	2401W	24.0 x 1W-SF	-	-	-	-	-	-	-	-	-	-	20.5	26.8	38.5
365	242			-	-	-	-	-	-	-	-	-	-	-	23.7	30.1
625	414	2801W	28.0 x 1W-E	-	-	-	-	-	-	-	-	-	-	-	22.9	35.0
312	207			-	-	-	-	-	-	-	-	-	-	-	-	26.1

### MCS-12W-HD (4430V BELT)

DRIVEN SPEED		PRODUCT NUMBER	GROOVED COMPANION SHEAVE	CENTER DISTANCE IN INCHES AT MAXIMUM AND MINIMUM SPEEDS												
1750 RPM Motor	1160 RPM Motor			VARIABLE SPEED V-BELT NUMBER												
				4430V 555	4430V 578	4430V 610	4430V 630	4430V 660	4430V 690	4430V 730	4430V 790	4430V 850	4430V 910	4430V 970	4430V 1090	4430V 1320
2625	1740	801W	8.0 x 1W-SF	11.8	13.0	14.5	15.5	17.1	18.6	20.6	23.6	26.6	29.6	32.6	38.6	50.1
1313	870			16.6	17.9	19.4	20.4	21.9	23.4	25.3	28.3	31.3	34.4	37.4	43.4	54.9
2470	1638	851W	8.5 x 1W-SF	11.4	12.7	14.2	15.2	16.7	18.2	20.2	23.2	26.2	29.2	32.2	38.2	49.7
1235	819			16.2	17.4	18.9	19.9	21.5	23.0	24.9	27.9	30.9	34.0	37.0	43.0	54.5
2333	1547	901W	9.0 x 1W-SF	10.7	12.3	13.8	14.8	16.3	17.8	19.8	22.8	25.8	28.8	31.9	37.9	49.4
1167	773			15.9	17.0	18.5	19.5	21.0	22.5	24.5	27.5	30.5	33.6	36.6	42.6	54.1
2210	1465	951W	9.5 x 1W-SF	-	11.9	13.4	14.4	15.9	17.4	19.4	22.4	25.5	28.5	31.5	37.5	49.0
1105	733			-	16.6	18.1	19.1	20.6	22.1	24.1	27.1	30.1	33.2	36.2	42.2	53.7
2100	1392	1001W	10.0 x 1W-SF	-	11.6	13.1	14.1	15.6	17.1	19.1	22.1	25.1	28.1	31.1	37.1	48.6
1050	696			-	16.2	17.7	18.7	20.2	21.7	23.7	26.7	29.7	32.8	35.8	41.8	53.3
1909	1265	1101W	11.0 x 1W-SF	-	-	12.4	13.3	14.7	16.3	18.3	21.3	24.3	27.3	30.3	36.3	47.8
954	633			-	-	17.0	17.9	19.3	20.9	22.9	25.9	28.9	31.9	34.9	40.9	52.5
1750	1160	1201W	12.0 x 1W-SF	-	-	-	12.7	14.0	15.5	17.5	20.5	23.5	26.5	29.5	35.5	47.0
875	580			-	-	-	17.2	18.5	20.0	22.0	25.0	28.1	31.1	34.1	40.1	51.7
1615	1071	1301W	13.0 x 1W-SF	-	-	-	-	13.4	14.7	16.7	19.7	22.7	25.7	28.7	34.7	46.2
808	535			-	-	-	-	17.7	19.1	21.2	24.2	27.2	30.3	33.3	39.3	50.8
1500	994	1401W	14.0 x 1W-SF	-	-	-	-	-	14.1	15.9	18.9	21.9	24.9	27.9	33.9	45.4
750	497			-	-	-	-	-	-	18.4	20.3	23.3	26.4	29.4	32.4	38.5
1400	928	1501W	15.0 x 1W-SF	-	-	-	-	-	-	15.1	18.1	21.1	24.1	27.1	33.1	44.7
700	464			-	-	-	-	-	-	19.3	21.4	25.5	28.5	31.6	37.6	49.2
1313	870	1601W	16.0 x 1W-SF	-	-	-	-	-	-	-	17.3	20.3	23.3	26.3	32.3	43.8
656	435			-	-	-	-	-	-	-	-	21.5	24.6	27.6	30.7	36.8
1167	773	1801W	18.0 x 1W-SF	-	-	-	-	-	-	-	-	18.6	21.6	24.6	30.7	42.2
583	387			-	-	-	-	-	-	-	-	-	22.7	25.8	28.9	35.0
1050	696	2001W	20.0 x 1W-SF	-	-	-	-	-	-	-	-	16.8	19.8	22.9	29.0	40.6
525	348			-	-	-	-	-	-	-	-	-	20.8	23.9	27.1	33.2
954	633	2201W	22.0 x 1W-SF	-	-	-	-	-	-	-	-	-	18.1	21.1	27.2	38.9
477	316			-	-	-	-	-	-	-	-	-	22.0	25.1	31.4	43.2
875	580	2401W	24.0 x 1W-SF	-	-	-	-	-	-	-	-	-	19.2	25.4	37.1	48.6
438	290			-	-	-	-	-	-	-	-	-	-	23.1	29.4	41.3
750	497	2801W	28.0 x 1W-E	-	-	-	-	-	-	-	-	-	-	-	33.6	45.1
375	248			-	-	-	-	-	-	-	-	-	-	-	-	-

Refer to table on page D1-53 for additional belts available.



### MCS-12S (3230HV BELT)

DRIVEN SPEED		PRODUCT NUMBER	GROOVED COMPANION SHEAVE	CENTER DISTANCE IN INCHES AT MAXIMUM AND MINIMUM SPEEDS													
1750 RPM Motor	1160 RPM Motor			VARIABLE SPEED V-BELT NUMBER													
				3230 HV 585	3230 HV 603	3230 HV 613	3230 HV 620	3230 HV 626	3230 HV 644	3230 HV 670	3230 HV 685	3230 HV 702	3230 HV 723	3230 HV 821	3230 HV 931	3230 HV 960	3230 HV 1060
2210	1465	951S	9.5 x 1S-SF	12.3	13.2	13.7	14.1	14.4	15.3	16.6	17.3	18.2	19.2	24.3	25.9	31.1	36.1
1105	733			17.0	17.9	18.4	18.7	19.0	20.0	21.3	22.0	22.9	23.9	28.8	30.6	35.8	40.8
2100	1392	1001S	10.0 x 1S-SF	11.9	12.8	13.3	13.7	14.0	14.9	16.2	16.9	17.8	18.9	23.9	25.6	30.7	35.7
1050	696			16.6	17.5	18.0	18.3	18.6	19.5	20.8	21.6	22.5	23.5	28.4	30.2	35.5	40.4
1909	1265	1101S	11.0 x 1S-SF	-	12.1	12.6	12.9	13.2	14.1	15.4	16.2	17.0	18.1	23.0	24.3	29.9	34.9
955	633			-	16.8	17.1	17.5	17.8	18.7	20.0	20.8	21.6	22.7	27.6	29.4	34.6	39.6
1750	1160	1201S	12.0 x 1S-SF	-	-	-	-	12.4	13.4	14.7	15.4	16.3	17.3	22.3	24.0	29.2	34.2
875	580			-	-	-	-	16.9	17.8	19.1	19.9	20.7	21.8	26.8	28.5	33.7	38.8
1615	1071	1301S	13.0 x 1S-SF	-	-	-	-	-	12.5	13.9	14.6	15.5	16.5	21.4	23.2	28.3	33.4
807	535			-	-	-	-	-	16.9	18.2	19.0	19.9	20.9	25.9	27.7	32.9	37.9
1500	994	1401S	14.0 x 1S-SF	-	-	-	-	-	-	-	13.8	14.6	15.7	20.7	22.4	27.6	32.6
750	497			-	-	-	-	-	-	-	-	18.1	19.0	20.0	25.0	26.8	32.1
1400	928	1501S	15.0 x 1S-SF	-	-	-	-	-	-	-	-	13.8	14.9	20.0	21.6	26.8	31.3
700	464			-	-	-	-	-	-	-	-	-	18.1	19.1	24.6	26.0	31.2
1312	870	1601S	16.0 x 1S-SF	-	-	-	-	-	-	-	-	-	-	19.1	20.8	25.9	30.9
656	435			-	-	-	-	-	-	-	-	-	-	-	23.2	25.1	30.3
1166	733	1801S	18.0 x 1S-SF	-	-	-	-	-	-	-	-	-	-	17.3	19.0	24.3	29.3
583	386			-	-	-	-	-	-	-	-	-	-	-	21.4	23.2	28.5
1050	696	2001S	20.0 x 1S-SF	-	-	-	-	-	-	-	-	-	-	-	17.2	22.5	27.6
525	348			-	-	-	-	-	-	-	-	-	-	-	-	21.2	26.7

### MCS-13S (3230HV BELT)

DRIVEN SPEED		PRODUCT NUMBER	GROOVED COMPANION SHEAVE	CENTER DISTANCE IN INCHES AT MAXIMUM AND MINIMUM SPEEDS													
1750 RPM Motor	1160 RPM Motor			VARIABLE SPEED V-BELT NUMBER													
				3230 HV 585	3230 HV 603	3230 HV 613	3230 HV 620	3230 HV 626	3230 HV 644	3230 HV 670	3230 HV 685	3230 HV 702	3230 HV 723	3230 HV 821	3230 HV 931	3230 HV 960	3230 HV 1060
2348	1557	951S	9.5 x 1S-SF	11.7	12.6	13.1	13.4	13.7	14.6	15.9	16.7	17.5	18.6	23.6	29.1	30.5	35.5
1175	779			16.7	17.6	18.1	18.5	18.8	19.7	21.0	21.7	22.6	23.6	28.6	34.1	35.5	40.5
2231	1479	1001S	10.0 x 1S-SF	-	12.0	12.7	13.1	13.4	14.3	15.6	16.3	17.2	18.2	23.3	28.7	30.1	35.1
1116	740			-	17.2	17.7	18.0	18.3	19.2	20.6	21.3	22.2	23.2	28.2	33.7	35.1	40.1
2028	1344	1101S	11.0 x 1S-SF	-	-	-	12.3	12.6	13.5	14.8	15.6	16.4	17.5	22.5	27.9	29.3	34.3
1015	673			-	-	-	17.2	17.5	18.4	19.7	20.5	21.3	22.4	27.4	33.0	34.3	39.3
1859	1232	1201S	12.0 x 1S-SF	-	-	-	-	-	12.8	14.0	14.8	15.7	16.7	21.7	27.1	28.6	33.6
930	617			-	-	-	-	-	17.5	18.9	19.6	20.5	21.5	26.5	32.0	33.4	38.5
1784	1183	1301S	13.0 x 1S-SF	-	-	-	-	-	-	13.3	14.0	14.9	15.9	20.9	26.4	27.8	32.8
858	569			-	-	-	-	-	-	18.0	18.7	19.6	20.7	25.7	31.2	32.6	37.6
1593	1056	1401S	14.0 x 1S-SF	-	-	-	-	-	-	-	-	14.1	15.1	20.2	25.5	27.0	32.0
737	488			-	-	-	-	-	-	-	-	-	18.7	19.8	24.8	30.4	31.8
1487	986	1501S	15.0 x 1S-SF	-	-	-	-	-	-	-	-	-	14.3	19.3	24.8	26.2	31.2
744	493			-	-	-	-	-	-	-	-	-	-	18.9	23.9	29.5	30.9
1394	924	1601S	16.0 x 1S-SF	-	-	-	-	-	-	-	-	-	-	18.6	24.0	25.4	30.4
697	463			-	-	-	-	-	-	-	-	-	-	-	23.0	28.6	30.1
1240	822	1801S	18.0 x 1S-SF	-	-	-	-	-	-	-	-	-	-	16.8	22.3	23.7	28.8
620	411			-	-	-	-	-	-	-	-	-	-	-	21.1	27.4	28.3
1115	740	2001S	20.0 x 1S-SF	-	-	-	-	-	-	-	-	-	-	-	20.5	22.0	27.0
558	370			-	-	-	-	-	-	-	-	-	-	-	-	24.9	26.4

Refer to table on page D1-53 for additional belts available.

## Selection Charts

### MCS-13-Y (4836V BELT)

DRIVEN SPEED		PRODUCT NUMBER	GROOVED COMPANION SHEAVE	CENTER DISTANCE IN INCHES AT MAXIMUM AND MINIMUM SPEEDS										
1750 RPM Motor	1160 RPM Motor			VARIABLE SPEED V-BELT PART NUMBER										
				4836V 670	4836V 710	4836V 800	4836V 850	4836V 900	4836V 950	4836V 1000	4836V 1060	4836V 1120	4836V 1180	4836V 1250
2231	1479	<b>1001Y</b>	†10.0 x 1Y-F	15.6	17.6	22.1	24.6	27.1	29.6	32.1	35.1	38.1	41.1	44.6
1117	740			20.6	22.6	27.1	29.6	32.1	34.6	37.1	40.1	43.1	46.1	49.6
2028	1345	<b>1101Y</b>	†11.0 x 1Y-F	14.8	16.8	21.3	23.8	26.3	28.8	31.3	34.3	37.3	40.3	43.8
1015	673			19.7	21.7	26.3	28.8	31.3	33.8	36.3	39.3	42.3	45.3	48.8
1859	1233	<b>1201Y</b>	12.0 x 1Y-F	14.1	16.1	20.6	23.1	25.6	28.1	30.6	33.6	36.6	39.6	43.1
930	617			18.9	20.9	25.4	27.9	30.4	33.0	35.5	38.5	41.5	44.5	48.0
1594	1056	<b>1401Y</b>	14.0 x 1Y-F	-	14.5	19.0	21.5	24.0	26.5	29.0	32.0	35.0	38.0	41.5
798	529			-	19.1	23.7	26.2	28.7	31.3	33.8	36.8	39.8	42.8	46.3
1395	924	<b>1601Y</b>	16.0 x 1Y-F	-	-	17.3	19.9	22.4	24.9	27.4	30.4	33.4	36.4	39.9
698	463			-	-	21.9	24.5	27.0	29.5	32.1	35.1	38.1	41.1	44.7
1240	822	<b>1801Y</b>	18.0 x 1Y-F	-	-	-	18.2	20.7	23.2	25.7	28.7	31.8	34.8	38.3
620	411			-	-	-	22.6	25.2	27.8	30.3	33.4	36.4	39.4	43.0
1116	740	<b>2001Y</b>	20.0 x 1Y-F	-	-	-	-	18.9	21.5	24.0	27.0	30.1	33.1	36.6
558	370			-	-	-	-	23.3	25.9	28.5	31.5	34.6	37.7	41.2
930	616	<b>2401Y</b>	24.0 x 1Y-F	-	-	-	-	-	-	20.4	23.5	26.6	29.6	33.2
465	308			-	-	-	-	-	-	24.6	27.7	30.9	34.0	37.6
744	493	<b>3001Y</b>	30.0 x 1Y-F	-	-	-	-	-	-	-	-	-	23.9	27.6
372	247			-	-	-	-	-	-	-	-	-	-	28.0

† This companion sheave only recommended for 30 HP @ 1750 RPM & 20 HP @ 1160 RPM.

### MCS-14-Y (4836V BELT)

DRIVEN SPEED		PRODUCT NUMBER	GROOVED COMPANION SHEAVE	CENTER DISTANCE IN INCHES AT MAXIMUM AND MINIMUM SPEEDS										
1750 RPM Motor	1160 RPM Motor			VARIABLE SPEED V-BELT PART NUMBER										
				4836V 670	4836V 710	4836V 750	4836V 850	4836V 900	4836V 950	4836V 1000	4836V 1060	4836V 1120	4836V 1180	4836V 1250
2450	1624	<b>1001Y</b>	†10.0 x 1Y-F	14.5	16.5	18.6	23.6	26.1	28.6	31.1	34.1	37.1	40.1	43.6
1225	812			20.1	22.1	24.1	29.1	31.6	34.1	36.6	39.6	42.6	45.6	49.1
2227	1476	<b>1101Y</b>	†11.0 x 1Y-F	13.8	15.8	17.8	22.8	25.3	27.8	30.3	33.3	36.3	39.3	42.8
1114	738			19.3	21.3	23.3	28.3	30.8	33.3	35.8	38.8	41.8	44.8	48.3
2042	1353	<b>1201Y</b>	†12.0 x 1Y-F	-	15.0	17.0	22.1	24.6	27.1	29.6	32.6	35.6	38.6	42.1
1021	677			-	20.4	22.4	27.5	30.0	32.5	35.0	38.0	41.0	44.0	47.5
1750	1160	<b>1401Y</b>	14.0 x 1Y-F	-	-	15.5	20.5	23.0	25.5	28.0	31.0	34.0	37.0	40.5
875	580			-	-	20.7	25.8	28.3	30.8	33.3	36.4	39.4	42.4	45.9
1531	1015	<b>1601Y</b>	16.0 x 1Y-F	-	-	-	18.9	21.4	23.9	26.4	29.4	32.4	35.4	38.9
766	508			-	-	-	24.0	26.5	29.1	31.6	34.6	37.7	40.7	44.2
1361	902	<b>1801Y</b>	18.0 x 1Y-F	-	-	-	17.3	19.8	22.3	24.8	27.8	30.8	33.8	37.3
681	451			-	-	-	22.2	24.8	27.3	29.9	32.9	36.0	39.0	42.5
1225	812	<b>2001Y</b>	20.0 x 1Y-F	-	-	-	-	18.1	20.6	23.1	26.1	29.2	32.2	35.7
613	406			-	-	-	-	22.9	25.5	28.1	31.1	34.2	37.2	40.8
1021	677	<b>2401Y</b>	24.0 x 1Y-F	-	-	-	-	-	-	-	22.6	25.7	28.7	32.3
510	338			-	-	-	-	-	-	-	27.3	30.5	33.6	37.2
816	541	<b>3001Y</b>	30.0 x 1Y-F	-	-	-	-	-	-	-	-	-	23.1	26.8
408	270			-	-	-	-	-	-	-	-	-	-	27.6

† This companion sheave only recommended for 50 HP @ 1750 RPM & 30 HP @ 1160 RPM.

Refer to table on page D1—53 for additional belts available.

## Selection Charts

### MCS-15-Y (4836V BELT)

DRIVEN SPEED		PRODUCT NUMBER	GROOVED COMPANION SHEAVE	CENTER DISTANCE IN INCHES AT MAXIMUM AND MINIMUM SPEEDS									
1750 RPM Motor	1160 RPM Motor			VARIABLE SPEED V-BELT PART NUMBER									
				4836V 710	4836V 750	4836V 850	4836V 900	4836V 950	4836V 1000	4836V 1060	4836V 1120	4836V 1180	4836V 1250
2625	1740	<b>1001Y</b>	†10.0 x 1Y-F	15.7	17.7	22.7	25.2	27.8	30.3	33.3	36.3	39.3	42.8
1750	1160			19.8	21.8	26.8	29.3	31.8	34.3	37.3	40.3	43.3	46.8
2386	1582	<b>1101Y</b>	†11.0 x 1Y-F	14.94	17.0	22.0	24.5	27.0	29.5	32.5	35.5	38.5	42.0
1590	1054			19.0	21.0	26.0	28.5	31.0	33.5	36.5	39.5	42.5	46.0
2188	1450	<b>1201Y</b>	†12.0 x 1Y-F	-	16.2	21.2	23.8	26.3	28.8	31.8	34.8	37.8	41.3
1458	967			-	20.2	25.2	27.7	30.2	32.7	35.7	38.7	41.7	45.2
1875	1242	<b>1401Y</b>	14.0 x 1Y-F	-	-	19.7	22.2	24.7	27.2	30.2	33.2	36.2	39.7
1250	828			-	-	23.6	26.1	28.6	31.1	34.1	37.1	40.1	43.6
1640	1088	<b>1601Y</b>	16.0 x 1Y-F	-	-	18.2	20.6	23.2	25.6	28.6	31.7	34.6	38.2
1094	725			-	-	21.9	24.4	26.9	29.4	32.4	35.4	38.5	42.0
1458	967	<b>1801Y</b>	18.0 x 1Y-F	-	-	-	19.0	21.5	24.0	27.0	30.0	33.0	36.5
972	644			-	-	-	22.7	25.2	27.7	30.8	33.8	36.8	40.3
1313	870	<b>2001Y</b>	20.0 x 1Y-F	-	-	-	-	19.9	22.4	25.4	28.4	31.4	34.9
875	580			-	-	-	-	23.4	26.0	29.0	32.1	35.1	38.6
1094	725	<b>2401Y</b>	24.0 x 1Y-F	-	-	-	-	-	-	21.9	25.0	28.0	31.5
729	483			-	-	-	-	-	-	25.3	28.4	31.5	35.1
875	580	<b>3001Y</b>	30.0 x 1Y-F	-	-	-	-	-	-	-	-	-	26.1
583	386			-	-	-	-	-	-	-	-	-	-

† This companion sheave only recommended for 75 HP @ 1750 RPM & 50 HP @ 1160 RPM.

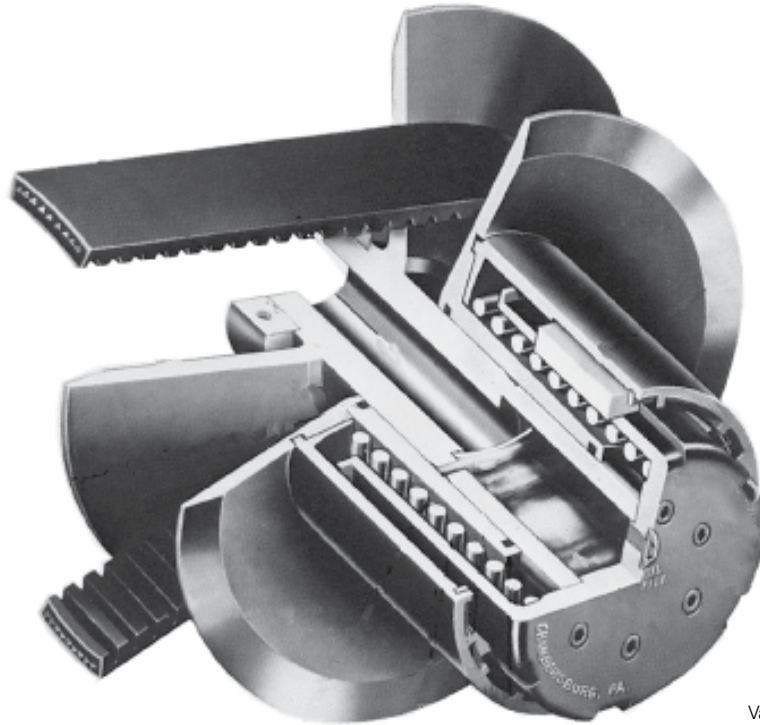
Refer to table on page D1—53 for additional belts available.

# MS Sheave

---

## Features

Wood's MS variable speed drives allow smooth, infinitely variable speed changes without stopping the drive. MS oil lube sheaves employ a revolutionary design that assures continuous, positive lubrication of all moving parts. Single flange moving, they are designed for use with either a flat companion pulley or grooved companion sheave. Capacities from 1/2 to 25 HP @ 1750 RPM. Precision balanced, proven reliability.



MS  
Motion Control  
Variable Speed Pulley  
U.S. Pat. 2.952.161

Wood's exclusive oil lubrication system is shown in this view of a MS sheave. From a built-in reservoir, oil is continually pumped onto the surface of the sleeve, where it spreads to form an oil film that covers the entire bearing surface. The result: no freezing or sticking from fretting corrosion, so speeds can be changed quickly and easily at any time . . . regardless of the time lapse between changes. Maintenance is kept to a minimum and speed-range run through is eliminated.

- **1/2 thru 25 HP @ 1750 RPM**
- **Rugged Cast Iron Construction**
- **Precision Balanced**
- **Revolutionary Oil Lubrication Design**
- **Proven Reliability**

## Selection

MODEL		HP RATING @			BELT	PITCH DIAMETER		DRIVE CHART PAGE NO.
		3500	1750	1160		MIN.	MAX.	
<b>GENERAL PURPOSE</b>								
MS-58	V-F	3/4 - 1-1/2	1/2 - 3/4	1/3 - 1/2	1422V	2.10	5.75	D1-16
MS-72	V-F	1-1/2 - 2	1 - 1-1/2	1/2 - 1	1922V	2.41	7.25	D1-16
MS-77	V-F	1-1/2 - 3	1-1/2 - 3	1 - 2	2322V	2.58	7.75	D1-17
MS-77	V-V *	-	1-1/2 - 3	1 - 2	2322V	2.58	7.75	D1-17
MS-97	V-F	-	5 - 7-1/2	3 - 5	2926V	3.25	9.75	D1-18
MS-97	V-V *	-	5 - 10	3 - 5	2926V	3.25	9.75	D1-18
MS-127	V-F	-	7-1/2 - 15	5 - 10	4430V	4.25	12.75	D1-19
MS-127	V-V *	-	15 - 25	7-1/2 - 15	4430V	4.25	12.75	D1-19
<b>OTHERS</b>								
MS-975-S	V-V *	-	15 - 20	7-1/2 - 10	3230HV	4.70	9.40	D1-20
MS-100W	V-V *	-	15	7-1/2 - 10	4430V	5.00	10.00	D1-20
• MS-127W-HD	V-V *	-	15 - 20	7-1/2 - 10	4430V	4.25	12.75	D1-19

Horsepower ratings are based on constant torque and are shown for maximum pitch diameters.

Horsepower ratings at other pitch diameters reduce in proportion to the driven speed.

\* Angled motor base required (ref. page D1-22).

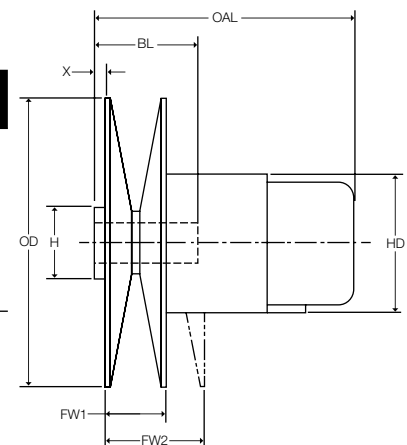
• For heavy duty reversing application.

## STOCK BORE SIZES

MODEL	5/8	3/4	7/8	1	1-1/8	1-1/4	1-3/8	1-5/8	1-7/8	28MM	MAX. BORE
MS-58	X	X	-	-	-	-	-	-	-	-	1-1/8
MS-72	X	X	X	X	-	-	-	-	-	-	1-1/8
MS-77	-	X	X	X	X	-	-	-	-	-	1-1/8
*MS-97	-	-	-	X	X	X	X	-	-	X	1-3/8
*MS-127	-	-	-	-	-	-	X	X	X	-	1-7/8
MS-975-S	-	-	-	-	-	-	-	X	-	-	1-7/8
MS-100W	-	-	-	-	-	-	-	X	-	-	1-7/8
*MS-127W-HD	-	-	-	-	-	-	-	X	-	-	1-7/8

\* Clamp hub style.

ORDERING EXAMPLE: MS-58 x 5/8



## MS SHEAVE DIMENSIONS

MODEL	O.D.	H	HD	O.A.L.	B.L.	X	F.W.1	F.W.2	WT. LBS.
MS-58	6	1-7/8	3-7/8	5-1/16	2-5/8	5/16	1-1/16	1-13/16	10
MS-72	7-1/2	1-7/8	3-7/8	5-1/4	2-3/4	5/16	1-7/16	2-3/8	12
MS-77	8	2	3-7/8	5-7/16	2-7/8	5/16	1-11/16	2-3/4	13
MS-97	10	4	4-3/4	7-15/16	4-1/8	5/8	2-1/16	3-9/16	28
MS-127	13	4	6	9-3/16	5-1/4	1/2	3	5-1/4	53
MS-975-S	9-3/4	0	6	7-5/16	3-13/16	0	2-1/4	3-1/2	36
MS-100W	10-1/4	0	6	7-15/16	4	-9/16	3	4-5/16	37
MS-127W-HD	13	4	6	9-3/16	5-1/4	1/2	3	5-1/4	58

For optional Sight-Lube lubrication system, refer to D1-23.

## Selection Charts

### MS-58 V-FLAT OPERATION

DRIVEN SPEEDS			PRODUCT NUMBER	STRAIGHT FACE COMPANION PULLEY	CENTER DISTANCE IN INCHES AT MAXIMUM AND MINIMUM SPEED								
3500 RPM Motor	1750 RPM Motor	1160 RPM Motor			VARIABLE SPEED V-BELT NUMBER								
					1422V 330	1422V 360	1422V 420	1422V 480	1422V 540	1422V 600	1422V 660	1422V 720	1422V 780
3135	1567	1039	<b>62S</b>	6 x 2-SH	6.9	8.4	11.4	14.4	17.4	20.4	23.4	26.4	29.4
1145	572	379			9.7	11.2	14.3	17.3	20.3	23.3	26.3	29.4	32.4
2712	1356	899	<b>72S</b>	7 x 2-SH	-	7.6	10.6	13.6	16.6	19.6	22.6	25.6	28.6
991	495	328			-	10.3	13.4	16.4	19.5	22.5	25.5	28.5	31.5
2390	1195	792	<b>82S</b>	8 x 2-SH	-	-	9.7	12.8	15.8	18.8	21.8	24.8	27.8
873	436	289			-	-	12.4	15.5	18.6	21.6	24.7	27.7	30.7
2136	1068	708	<b>92S</b>	9 x 2-SH	-	-	8.9	11.9	14.9	17.9	21.0	24.0	27.0
780	390	259			-	-	11.5	14.6	17.7	20.7	23.8	26.8	29.8
1931	966	640	<b>102S</b>	10 x 2-SH	-	-	-	11.0	14.1	17.1	20.1	23.1	26.2
705	353	234			-	-	-	13.6	16.8	19.8	22.9	25.9	29.0
1620	810	537	<b>122S</b>	12 x 2-SH	-	-	-	-	12.2	15.3	18.4	21.4	24.5
592	296	196			-	-	-	-	14.8	18.0	21.1	24.2	27.2
1396	698	463	<b>142S</b>	14 x 2-SDS	-	-	-	-	10.2	13.4	16.6	19.6	22.7
510	255	169			-	-	-	-	12.6	15.9	19.1	22.3	25.4
1226	613	406	<b>162S</b>	16 x 2-SDS	-	-	-	-	-	11.3	14.6	17.7	20.9
448	224	148			-	-	-	-	-	-	13.6	17.0	20.3

### MS-72 V-FLAT OPERATION

DRIVEN SPEEDS			PRODUCT NUMBER	STRAIGHT FACE COMPANION PULLEY	CENTER DISTANCE IN INCHES AT MAXIMUM AND MINIMUM SPEEDS									
3500 RPM Motor	1750 RPM Motor	1160 RPM Motor			VARIABLE SPEED V-BELT NUMBER									
					1922V 363	1922V 403	1922V 426	1922V 454	1922V 484	1922V 544	1922V 604	1922V 666	1922V 726	1922V 756
3893	1947	1290	<b>62S</b>	6 x 2-SH	7.3	9.3	10.5	11.9	13.4	16.4	19.4	22.5	25.5	27.0
1298	649	430			10.9	13.0	14.1	15.5	17.1	20.1	23.1	26.2	29.2	30.7
3375	1688	1119	<b>72S</b>	7 x 2-SH	-	8.5	9.7	11.1	12.6	15.6	18.6	21.7	24.7	26.2
1125	563	373			-	12.1	13.2	14.7	16.2	19.2	22.2	25.4	28.4	29.9
2979	1489	987	<b>82S</b>	8 x 2-SH	-	-	8.9	10.3	11.8	14.8	17.8	20.9	23.9	25.4
993	496	329			-	-	12.3	13.8	15.3	18.3	21.4	24.5	27.5	29.0
2666	1333	884	<b>92S</b>	9 x 2-SH	-	-	-	9.5	11.0	14.0	17.0	20.1	23.1	24.6
889	444	295			-	-	-	12.8	14.4	17.5	20.5	23.7	26.7	28.2
2413	1206	800	<b>102S</b>	10 x 2-SH	-	-	-	-	10.1	13.1	16.2	19.3	22.3	23.8
804	402	267			-	-	-	-	13.4	16.5	19.6	22.8	25.8	27.3
2027	1014	672	<b>122S</b>	12 x 2-SH	-	-	-	-	-	11.4	14.4	17.6	20.6	22.1
676	338	224			-	-	-	-	-	-	14.6	17.7	20.9	24.0
1748	874	579	<b>142S</b>	14 x 2-SDS	-	-	-	-	-	-	12.6	15.8	18.9	20.3
583	291	193			-	-	-	-	-	-	-	15.7	19.0	22.2
1536	768	509	<b>162S</b>	16 x 2-SDS	-	-	-	-	-	-	-	13.9	17.0	18.5
512	256	170			-	-	-	-	-	-	-	-	16.9	20.2

Refer to table on page D1-52 for additional belts available.

## Selection Charts

### MS-77 V-FLAT OPERATION

DRIVEN SPEEDS			PRODUCT NUMBER	STRAIGHT FACE COMPANION PULLEY	CENTER DISTANCE IN INCHES AT MAXIMUM AND MINIMUM SPEEDS									
3500 RPM Motor	1750 RPM Motor	1160 RPM Motor			VARIABLE SPEED V-BELT NUMBER									
					2322V 421	2322V 441	2322V 481	2322V 521	2322V 541	2322V 601	2322V 661	2322V 721	2322V 801	2322V 1001
3145	1572	1042	<b>8234S</b>	8 x 2-3/4-SD	8.2	9.3	11.4	13.2	14.4	17.3	20.3	23.4	27.4	37.4
1048	524	347			11.9	13.0	15.1	16.9	18.2	21.2	24.2	27.2	31.2	41.3
2818	1409	934	<b>9234S</b>	9 x 2-3/4-SD	-	-	10.6	12.4	13.6	16.6	19.6	22.6	26.6	36.7
939	470	311			-	-	14.3	16.0	17.4	20.4	23.4	26.4	30.4	40.5
2553	1276	846	<b>10234S</b>	10 x 2-3/4-SD	-	-	9.7	11.5	12.7	15.7	18.6	21.7	25.6	35.7
851	425	282			-	-	13.3	15.1	16.4	19.5	22.5	25.6	29.5	39.6
2333	1167	773	<b>11234S</b>	11 x 2-3/4-SD	-	-	-	10.6	11.8	14.8	17.8	20.9	24.9	35.0
778	389	258			-	-	-	14.2	15.5	18.5	21.6	24.6	28.7	38.8
2148	1074	712	<b>12234S</b>	12 x 2-3/4-SD	-	-	-	-	10.9	14.0	17.0	20.1	24.2	34.2
716	358	237			-	-	-	-	14.5	17.5	20.6	23.8	27.8	37.9
1855	927	615	<b>14234S</b>	14 x 2-3/4-SF	-	-	-	-	-	12.2	15.3	18.4	22.4	32.5
618	309	205			-	-	-	-	-	15.6	18.9	21.9	26.0	36.2
1631	816	541	<b>16234S</b>	16 x 2-3/4-SF	-	-	-	-	-	-	13.5	16.6	20.6	30.8
544	272	180			-	-	-	-	-	-	16.6	19.9	24.0	34.4
1456	728	483	<b>18234S</b>	18 x 2-3/4-SF	-	-	-	-	-	-	-	14.5	18.6	29.0
485	243	161			-	-	-	-	-	-	-	17.7	22.1	32.6
1315	658	436	<b>20234S</b>	20 x 2-3/4-SF	-	-	-	-	-	-	-	-	16.7	27.2
438	219	145			-	-	-	-	-	-	-	-	19.9	30.7

### MS-77 V-V OPERATION

DRIVEN SPEEDS		PRODUCT NUMBER	GROOVED COMPANION PULLEY	CENTER DISTANCE IN INCHES AT MAXIMUM AND MINIMUM SPEEDS									
1750 RPM Motor	1160 RPM Motor			VARIABLE SPEED V-BELT NUMBER									
				2322V 421	2322V 441	2322V 481	2322V 521	2322V 541	2322V 601	2322V 661	2322V 721	2322V 801	2322V 1001
2055	1362	<b>661P</b>	6.6 x 1P-SK	9.7	10.7	12.7	14.7	15.7	18.7	21.7	24.7	28.7	38.7
685	454			13.6	14.6	15.6	18.6	19.6	22.6	25.6	28.6	32.7	42.7
1785	1183	<b>761P</b>	7.6 x 1P-SK	8.9	9.9	11.9	13.9	14.9	17.9	20.9	23.9	27.9	37.9
595	394			12.7	13.7	15.7	17.8	18.8	21.8	24.8	27.8	31.8	41.9
1577	1045	<b>861P</b>	8.6 x 1P-SK	-	9.1	11.1	13.1	14.1	17.1	20.1	23.1	27.1	37.1
526	348			-	12.8	14.9	16.9	17.9	20.9	24.0	27.0	31.0	41.0
1413	936	<b>961P</b>	9.6 x 1P-SK	-	-	10.3	12.3	13.3	16.3	19.3	22.3	26.3	36.3
471	312			-	-	13.9	16.0	17.0	20.1	23.1	26.3	30.2	40.2
1262	836	<b>1081P</b>	10.8 x 1P-SK	-	-	-	11.4	12.4	15.4	18.5	21.5	25.5	35.5
420	278			-	-	-	15.0	16.0	19.1	22.2	25.2	29.3	39.4
1154	765	<b>1181P</b>	11.8 x 1P-SK	-	-	-	10.5	11.6	14.6	17.6	20.6	24.6	34.7
384	255			-	-	-	14.0	15.0	18.2	21.3	24.3	28.4	38.5
986	654	<b>1381P</b>	13.8 x 1P-SK	-	-	-	-	-	12.8	15.9	18.9	23.0	33.0
328	218			-	-	-	-	-	16.2	19.4	22.5	26.6	36.8
861	571	<b>1581P</b>	15.8 x 1P-SK	-	-	-	-	-	-	14.0	17.1	21.2	31.3
287	190			-	-	-	-	-	-	17.4	20.6	24.7	35.0
764	506	<b>1781P</b>	17.8 x 1P-SK	-	-	-	-	-	-	-	15.2	19.3	29.6
254	169			-	-	-	-	-	-	-	18.5	22.8	33.2

Refer to table on page D1-53 for additional belts available.



## Selection Charts

### MS-97 V-FLAT OPERATION

DRIVEN SPEEDS		PRODUCT NUMBER	STRAIGHT FACE COMPANION PULLEY	CENTER DISTANCE IN INCHES AT MAXIMUM AND MINIMUM SPEEDS							
1750 RPM Motor	1160 RPM Motor			VARIABLE SPEED V-BELT NUMBER							
				2926V 574	2926V 606	2926V 646	2926V 686	2926V 726	2926V 834	2926V 906	2926V 1006
1595	1057	<b>10234S</b>	†10 x 2-3/4-SD	12.5	14.3	16.3	18.4	20.3	25.6	29.4	34.3
532	352			17.2	19.0	21.0	23.0	25.0	30.4	34.2	39.2
1458	967	<b>11234S</b>	†11 x 2-3/4-SD	11.3	13.3	15.3	17.4	19.4	24.6	28.4	33.4
486	322			16.3	18.0	20.1	22.2	24.2	29.6	33.3	38.3
1344	841	<b>12234S</b>	12 x 2-3/4-SD	-	12.5	14.5	16.6	18.6	23.9	27.6	32.6
448	297			-	17.2	19.2	21.3	23.3	28.8	32.4	37.5
1161	769	<b>14234S</b>	14 x 2-3/4-SD	-	-	12.9	14.9	16.9	22.2	26.0	31.0
387	256			-	-	17.3	19.4	21.4	27.0	30.7	35.7
1022	677	<b>16234S</b>	16 x 2-3/4-SF	-	-	-	-	15.2	20.6	24.3	29.4
341	226			-	-	-	-	19.4	25.0	28.9	34.0
912	605	<b>18234S</b>	18 x 2-3/4-SF	-	-	-	-	-	18.8	22.7	27.7
304	202			-	-	-	-	-	23.2	27.0	32.0
824	546	<b>20234S</b>	20 x 2-3/4-SF	-	-	-	-	-	16.7	20.7	25.7
275	182			-	-	-	-	-	20.9	24.9	30.2
691	458	<b>24414S</b>	24 x 4-1/4-SF	-	-	-	-	-	-	-	22.1
230	153			-	-	-	-	-	-	-	26.2

† This companion pulley not recommended for 7-1/2 HP at 1750 RPM or 5 HP at 1160 RPM applications.

### MS-97 V-V OPERATION

DRIVEN SPEEDS		PRODUCT NUMBER	GROOVED COMPANION PULLEY	CENTER DISTANCE IN INCHES AT MAXIMUM AND MINIMUM SPEEDS							
1750 RPM Motor	1160 RPM Motor			VARIABLE SPEED V-BELT NUMBER							
				2926V 574	2926V 606	2926V 646	2926V 686	2926V 726	2926V 834	2926V 906	2926V 1006
2245	1488	<b>761T</b>	7.6 x 1T-SK	15.03	16.63	18.63	20.66	22.66	28.07	31.67	36.67
748	496			20.07	21.68	23.68	25.68	27.68	33.12	36.73	41.73
1984	1315	<b>861T</b>	8.6 x 1T-SK	14.29	15.89	17.89	19.89	21.89	27.29	30.89	35.89
661	438			19.20	20.83	22.85	24.85	26.85	32.29	35.90	40.90
1777	1178	<b>961T</b>	9.6 x 1T-SK	13.51	15.11	17.11	19.11	21.11	26.51	30.11	35.11
592	392			18.34	19.96	21.96	24.01	26.01	31.46	35.06	40.09
1609	1067	<b>1061T</b>	10.6 x 1T-SK	12.72	14.32	16.32	18.32	20.32	25.72	29.32	34.32
536	355			17.43	19.08	21.11	23.13	25.17	30.61	34.23	39.26
1470	975	<b>1161T</b>	11.6 x 1T-SK	11.89	13.49	15.49	17.52	19.52	24.93	28.53	33.53
490	325			16.49	18.14	20.19	22.24	24.29	29.74	33.39	38.42
1254	831	<b>1361T</b>	13.6 x 1T-SK	-	-	13.82	15.86	17.87	23.27	26.91	31.92
418	277			-	-	18.32	20.42	22.47	27.97	31.65	36.71
1094	725	<b>1561T</b>	15.6 x 1T-SK	-	-	-	14.10	16.14	21.60	25.24	30.25
364	242			-	-	-	18.45	20.55	26.15	29.85	34.95
969	642	<b>1761T</b>	17.6 X 1T-SK	-	-	-	-	-	19.83	23.48	28.56
323	214			-	-	-	-	-	24.27	28.01	33.13
870	577	<b>1961T</b>	19.6 x 1T-SK	-	-	-	-	-	17.96	21.70	26.81
290	192			-	-	-	-	-	22.25	26.06	31.29

Refer to table on page D1-53 for additional belts available.

### MS-127 V-FLAT OPERATION

DRIVEN SPEEDS		PRODUCT NUMBER	STRAIGHT FACE COMPANION PULLEY	CENTER DISTANCE IN INCHES AT MAXIMUM AND MINIMUM SPEEDS													
1750 RPM Motor	1160 RPM Motor			VARIABLE SPEED V-BELT NUMBER													
				4430V 690	4430V 700	4430V 730	4430V 740	4430V 790	4430V 850	4430V 910	4430V 970	4430V 1030	4430V 1090	4430V 1150	4430V 1320	4430V 1460	4430V 1610
1728	1145	12414S	†12 x 4-1/4-SF	14.3	14.7	16.3	16.8	19.2	22.3	25.3	28.4	31.4	34.2	37.4	45.7	52.3	60.6
576	382			20.6	21.2	22.7	23.2	25.7	28.8	31.7	34.8	37.8	40.8	43.9	52.4	58.8	67.3
1496	992	14414S	†14 x 4-1/4-SF	-	-	14.9	15.4	17.8	20.7	23.8	26.9	29.8	32.8	35.7	44.5	50.7	59.2
499	331			-	-	20.9	21.4	23.9	27.0	30.0	33.2	36.0	39.2	42.2	50.8	57.0	65.5
1319	875	16414S	†16 x 4-1/4-SF	-	-	-	-	16.2	19.2	22.2	25.4	28.4	31.2	34.1	42.8	49.2	57.9
440	292			-	-	-	-	22.0	25.1	28.3	31.3	34.4	37.4	40.4	49.1	55.3	63.9
1180	782	18414S	18 x 4-1/4-SF	-	-	-	-	-	17.2	20.3	23.3	26.5	29.3	32.4	41.0	47.3	56.0
393	261			-	-	-	-	-	23.1	26.3	29.4	32.5	35.6	38.6	47.2	53.6	61.9
1067	707	20414S	20 x 4-1/4-SF	-	-	-	-	-	-	18.6	21.7	24.8	27.7	30.6	39.4	45.7	54.3
356	236			-	-	-	-	-	-	24.7	27.7	30.8	33.6	36.9	45.5	51.8	60.5
896	594	24414S	24 x 4-1/4-SF	-	-	-	-	-	-	-	-	21.4	24.2	27.3	36.0	42.4	51.1
299	198			-	-	-	-	-	-	-	-	-	26.4	29.7	33.0	41.8	48.1

† This companion pulley not recommended for 15 HP at 1750 RPM or 10 HP at 1160 RPM applications.

### MS-127 & MS-127W-HD V-V OPERATION

DRIVEN SPEEDS		PRODUCT NUMBER	GROOVED COMPANION PULLEY	CENTER DISTANCE IN INCHES AT MAXIMUM AND MINIMUM SPEEDS													
1750 RPM Motor	1160 RPM Motor			VARIABLE SPEED V-BELT NUMBER													
				4430V 690	4430V 700	4430V 730	4430V 740	4430V 790	4430V 850	4430V 910	4430V 970	4430V 1030	4430V 1090	4430V 1150	4430V 1320	4430V 1460	4430V 1610
2231	1479	1001W	10.0 x 1W-SF	16.5	17.0	18.5	19.0	21.5	24.5	27.5	30.5	33.5	36.5	39.5	48.0	55.3	62.7
744	493			23.0	23.5	25.0	25.5	28.0	31.0	34.1	37.1	40.1	43.1	46.1	54.6	61.8	69.2
2028	1344	1101W	11.0 x 1W-SF	15.7	16.2	17.7	18.2	20.7	23.7	26.7	29.7	32.7	35.7	38.7	47.2	54.6	62.0
676	448			22.1	22.6	24.1	24.7	27.2	30.2	33.2	36.2	39.2	42.3	45.3	53.8	60.9	68.4
1859	1233	1201W	12.0 x 1W-SF	14.9	15.4	16.9	17.4	19.9	22.9	25.9	28.4	31.9	34.9	37.9	46.4	53.7	61.2
620	411			20.9	21.4	22.9	23.4	25.9	30.0	32.0	35.0	38.0	41.1	44.1	52.6	60.2	67.8
1716	1138	1301W	13.0 x 1W-SF	14.2	14.7	16.1	16.7	19.1	22.1	25.2	28.2	31.1	34.2	37.2	45.7	53.0	60.5
572	379			20.4	20.9	22.4	22.9	25.4	28.5	31.5	34.6	37.6	40.6	43.6	52.1	59.3	66.8
1594	1056	1401W	14.0 x 1W-SF	-	-	15.3	15.9	18.3	21.3	24.4	27.4	30.4	33.4	36.4	44.9	52.0	59.6
531	352			-	-	21.5	22.0	24.5	27.6	30.7	33.7	36.7	39.7	42.8	51.3	58.5	66.0
1488	986	1501W	15.0 x 1W-SF	-	-	-	15.0	17.5	20.5	23.6	26.6	29.6	32.6	35.6	44.1	51.3	58.8
496	329			-	-	-	21.1	23.6	26.7	29.8	32.8	35.8	38.9	41.9	50.5	57.5	65.0
1394	924	1601W	16.0 x 1W-SF	-	-	-	-	16.7	19.7	22.7	25.8	28.7	31.8	34.8	43.3	50.8	58.0
465	308			-	-	-	-	22.7	25.8	28.9	31.9	35.0	38.0	41.1	49.6	56.8	64.4
1240	822	1801W	18.0 x 1W-SF	-	-	-	-	-	18.0	21.1	24.1	27.1	30.1	33.1	41.6	48.9	56.5
413	274			-	-	-	-	-	23.9	27.0	30.1	33.2	36.3	39.3	47.9	54.9	62.5
1116	740	2001W	20.0 x 1W-SF	-	-	-	-	-	-	19.3	22.4	25.4	28.4	31.5	40.0	47.5	54.9
372	247			-	-	-	-	-	-	25.1	28.2	31.3	34.4	37.5	46.2	53.4	60.9
1014	672	2201W	22.0 x 1W-SF	-	-	-	-	-	-	-	20.6	23.6	26.7	29.7	38.3	45.5	53.0
338	224			-	-	-	-	-	-	-	-	26.3	29.4	32.6	35.7	44.4	51.5
930	616	2401W	24.0 x 1W-SF	-	-	-	-	-	-	-	-	21.8	24.9	28.0	36.6	43.7	51.2
310	205			-	-	-	-	-	-	-	-	-	27.4	30.6	33.7	42.5	49.8
796	528	2801W	28.0 x 1W-E	-	-	-	-	-	-	-	-	-	-	24.3	33.2	40.3	47.9
265	176			-	-	-	-	-	-	-	-	-	-	-	29.8	38.9	46.2

Refer to table on page D1-53 for additional belts available.

## Selection Charts

### MS-975-S V-V OPERATION

DRIVEN SPEEDS		PRODUCT NUMBER	GROOVED COMPANION PULLEY	CENTER DISTANCE IN INCHES AT MAXIMUM AND MINIMUM SPEEDS																
1750 RPM Motor	1160 RPM Motor			VARIABLE SPEED V-BELT NUMBER																
				3230 HV 528	3230 HV 546	3230 HV 553	3230 HV 570	3230 HV 585	3230 HV 603	3230 HV 613	3230 HV 626	3230 HV 644	3230 HV 670	3230 HV 685	3230 HV 723	3230 HV 821	3230 HV 856	3230 HV 931	3230 HV 960	3230 HV 1060
1731	1147	<b>951S</b>	9.5 x 1S-SF	11.6	12.5	12.8	13.7	14.4	15.3	15.8	16.5	17.4	18.7	19.4	21.3	26.2	28.0	31.7	33.2	38.2
866	574			15.1	16.0	16.3	17.2	17.9	18.8	19.3	20.0	20.9	22.2	23.0	24.9	29.8	31.6	35.3	36.8	41.8
1645	1090	<b>1001S</b>	10.0 x 1S-SF	11.2	12.1	12.4	13.3	14.0	14.9	15.4	16.1	17.0	18.3	19.0	20.9	25.8	27.6	31.3	32.8	37.8
823	546			14.6	15.5	15.9	16.7	17.5	18.4	18.9	19.6	20.5	21.8	22.5	24.5	29.4	31.1	34.9	36.4	41.4
1495	991	<b>1101S</b>	11.0 x 1S-SF	-	11.3	11.6	12.5	13.2	14.1	14.6	15.3	16.2	17.5	18.2	20.1	25.0	26.8	30.5	32.0	37.0
748	496			-	14.6	15.0	15.9	16.6	17.5	18.0	18.7	19.6	20.9	21.7	23.6	28.5	30.3	34.1	35.5	40.1
1370	908	<b>1201S</b>	12.0 x 1S-SF	-	-	-	11.6	12.4	13.3	13.8	14.4	15.4	16.6	17.4	19.3	24.2	26.0	29.7	31.2	36.2
686	455			-	-	-	14.9	15.7	16.6	17.1	17.8	18.7	20.1	28.0	22.7	27.7	29.5	33.2	34.7	39.7
1265	838	<b>1301S</b>	13.0 x 1S-SF	-	-	-	-	-	12.4	12.9	13.6	14.5	15.8	16.6	18.5	23.4	25.1	28.9	30.4	35.4
633	420			-	-	-	-	-	15.7	16.2	16.9	17.8	19.1	19.9	21.9	26.8	28.6	32.4	33.8	38.9
1175	778	<b>1401S</b>	14.0 x 1S-SF	-	-	-	-	-	-	12.1	12.7	13.6	14.9	15.7	17.6	22.6	24.3	28.1	29.5	34.5
588	390			-	-	-	-	-	-	-	15.3	15.9	16.9	18.2	19.0	20.9	25.9	27.7	31.5	33.0
1096	726	<b>1501S</b>	15.0 x 1S-SF	-	-	-	-	-	-	-	-	12.7	14.1	14.8	16.8	21.7	23.5	27.2	28.7	33.7
549	364			-	-	-	-	-	-	-	-	-	15.9	17.3	18.0	20.0	25.0	26.8	30.6	32.1
1028	682	<b>1601S</b>	16.0 x 1S-SF	-	-	-	-	-	-	-	-	-	-	13.9	15.9	20.8	22.6	26.4	27.9	32.9
514	341			-	-	-	-	-	-	-	-	-	-	-	17.1	19.1	24.1	25.9	29.8	31.2
914	606	<b>1801S</b>	18.0 x 1S-SF	-	-	-	-	-	-	-	-	-	-	-	13.9	19.0	20.8	24.7	26.1	31.2
457	303			-	-	-	-	-	-	-	-	-	-	-	-	17.0	22.2	24.0	27.9	29.4
822	546	<b>2001S</b>	20.0 x 1S-SF	-	-	-	-	-	-	-	-	-	-	-	...	17.1	19.0	22.8	24.3	29.4
411	273			-	-	-	-	-	-	-	-	-	-	-	-	...	20.2	22.0	26.0	27.5

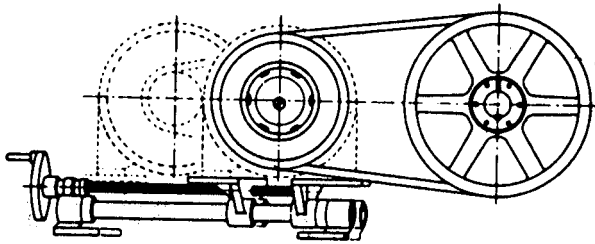
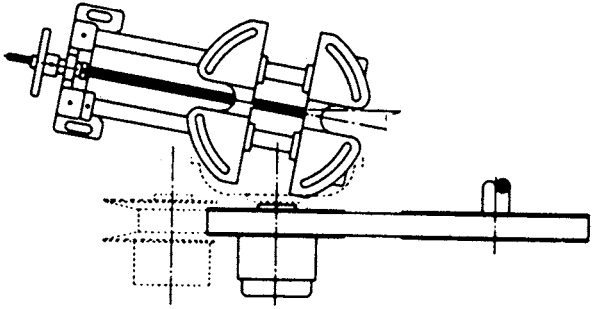
### MS100W V-V OPERATION

DRIVEN SPEEDS		PRODUCT NUMBER	GROOVED COMPANION PULLEY	CENTER DISTANCE IN INCHES AT MAXIMUM AND MINIMUM SPEEDS															
1750 RPM Motor	1160 RPM Motor			VARIABLE SPEED V-BELT NUMBER															
				4430V 530	4430V 555	4430V 578	4430V 610	4430V 630	4430V 660	4430V 690	4430V 730	4430V 790	4430V 850	4430V 910	4430V 970	4430V 1090	4430V 1320	4430V 1610	
2188	1450	<b>801W</b>	8.0 x 1W-SF	12.1	13.5	14.7	16.2	17.2	18.7	20.2	22.2	25.2	28.2	31.2	34.2	40.2	51.7	66.8	
1094	725			16.0	17.4	18.6	20.1	21.1	22.6	24.1	26.1	29.1	32.1	35.1	38.1	44.1	55.6	70.7	
2059	1365	<b>851W</b>	8.5 x 1W-SF	11.7	13.1	14.3	15.8	16.8	18.3	19.8	21.8	24.8	27.8	30.8	33.8	39.8	51.3	66.5	
1029	682			15.6	16.9	18.2	19.7	20.7	22.2	23.7	25.7	28.7	31.7	34.7	37.7	43.7	55.2	70.3	
1944	1289	<b>901W</b>	9.0 x 1W-SF	11.3	12.7	13.9	15.4	16.4	17.9	19.4	21.4	24.4	27.4	30.4	33.5	39.5	51.0	66.1	
972	644			15.1	16.5	17.8	19.3	20.3	21.8	23.3	25.3	28.3	31.3	34.3	37.3	43.3	54.8	69.9	
1842	1221	<b>951W</b>	9.5 x 1W-SF	11.0	12.3	13.6	15.1	16.1	17.6	19.1	21.0	24.0	27.0	30.1	33.1	39.1	50.6	65.6	
921	611			14.7	16.1	17.3	18.9	19.9	21.4	22.9	24.9	27.9	30.9	33.9	36.9	42.9	54.4	69.5	
1750	1160	<b>1001W</b>	10.0 x 1W-SF	10.6	11.9	13.2	14.7	15.7	17.2	18.7	20.7	23.7	26.7	29.7	32.7	38.7	50.2	65.2	
875	580			14.3	15.6	16.9	18.4	19.4	20.9	22.5	24.5	27.5	30.5	33.5	36.5	42.5	54.0	69.0	
1591	1054	<b>1101W</b>	11.0 x 1W-SF	-	11.0	12.4	13.9	14.9	16.4	17.9	19.9	22.9	25.9	28.9	31.9	37.9	49.4	64.2	
795	527			-	14.7	16.0	17.6	18.6	20.1	21.6	23.6	26.6	29.7	32.7	35.7	41.7	53.2	68.2	
1458	967	<b>1201W</b>	12.0 x 1W-SF	-	-	11.6	13.1	14.1	15.6	17.1	19.1	22.1	25.1	28.1	31.1	37.1	48.6	63.5	
729	483			-	-	15.1	16.7	17.7	19.2	20.7	22.7	25.8	28.8	31.8	34.8	40.9	52.4	67.4	
1346	892	<b>1301W</b>	13.0 x 1W-SF	-	-	-	12.4	13.2	14.7	16.2	18.2	21.2	24.3	27.3	30.3	36.3	47.8	62.7	
673	446			-	-	-	15.9	16.8	18.3	19.8	21.9	24.9	28.0	31.0	34.0	40.0	51.6	66.6	
1250	828	<b>1401W</b>	14.0 x 1W-SF	-	-	-	-	12.5	13.9	15.4	17.4	20.4	23.4	26.5	29.5	35.5	47.0	62.1	
625	414			-	-	-	-	16.0	17.3	18.9	21.0	24.0	27.1	30.1	33.2	39.2	50.8	65.8	
1167	773	<b>1501W</b>	15.0 x 1W-SF	-	-	-	-	-	13.2	14.5	16.5	19.6	22.6	25.6	28.6	34.7	46.2	61.3	
583	387			-	-	-	-	-	-	16.5	18.0	20.0	23.1	26.2	29.2	32.3	38.3	49.9	65.0
1094	725	<b>1601W</b>	16.0 x 1W-SF	-	-	-	-	-	-	13.8	15.7	18.7	21.7	24.8	27.8	33.8	45.4	60.5	
547	363			-	-	-	-	-	-	-	17.1	19.1	22.2	25.3	28.3	31.4	37.5	49.1	64.0
972	644	<b>1801W</b>	18.0 x 1W-SF	-	-	-	-	-	-	-	-	-	16.9	20.0	23.0	26.1	32.1	48.7	58.9
486	322			-	-	-	-	-	-	-	-	-	-	-	19.2	24.4	26.5	29.6	35.7
875	580	<b>2001W</b>	20.0 x 1W-SF	-	-	-	-	-	-	-	-	-	-	18.1	21.2	24.3	30.4	42.0	57.1
438	290			-	-	-	-	-	-	-	-	-	-	-	21.4	24.6	27.7	33.9	45.6
795	527	<b>2201W</b>	22.0 x 1W-SF	-	-	-	-	-	-	-	-	-	-	17.2	19.3	22.4	28.6	40.3	55.5
398	264			-	-	-	-	-	-	-	-	-	-	-	19.3	22.6	25.8	32.0	43.9
729	483	<b>2401W</b>	24.0 x 1W-SF	-	-	-	-	-	-	-	-	-	-	-	-	20.5	26.8	38.5	53.7
365	242			-	-	-	-	-	-	-	-	-	-	...	-	-	23.7	30.1	42.0
625	414	<b>2801W</b>	28.0 x 1W-E	-	-	-	-	-	-	-	-	-	-	-	-	-	22.9	35.0	49.9
312	207			-	-	-	-	-	-	-	...	-	-	-	-	-	...	26.1	38.4

Refer to table on page D1-53 for additional belts available.

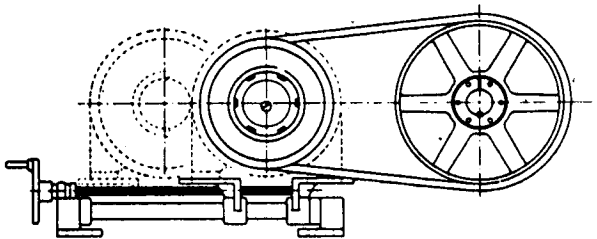
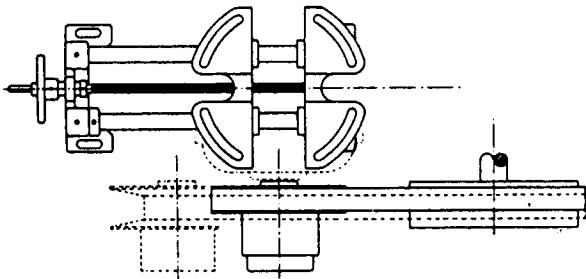
### V-V Drive Set-up

On a v-groove to v-groove drive using a single flange moving sheave, it is necessary to angle mount the motor in order to keep the belt aligned. This is due to the fact that the belt is not only moving from max. to min. pitch it is also moving axially as it is being adjusted. The angle mount base compensates for this axial movement of the belt.



### V-Flat Drive Set-up

On a v-groove to flat pulley drive using a single flange moving sheave, the movement of the base is perfectly perpendicular to the shafts. As the belt moves from max. to min. pitch on the variable it is also moving axially across the face of the flat pulley. In most cases the drive hp capacity is less on a v-flat than a v-v drive using the same spring-loaded sheave.



# Angled Motor Case

## Calculations

Because of the unique lubricating principle employed in the Wood's MS sheaves, they are constructed so that only a single flange is adjustable. When a straight face pulley is used as a companion, the belt will traverse across the face of the pulley as the pitch diameter of the MS is changed. However, in order to maintain correct belt alignment when running the MS sheave to a V-groove companion, the motor must be mounted on an angled base to compensate for the belt movement.

When an MC base is furnished, the motor mount holes are drilled in the sliding plate at the angle required by each specific application. When using an MBA motor base, slots are provided for offsetting the motor to any angle.

### Angle to Offset Motor Base

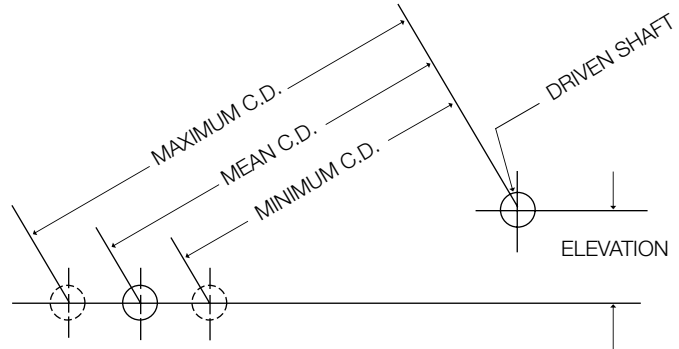
To Find Offset Angle:

- Determine mean center distance.

$$\text{Mean C.D.} = \frac{\text{Max.} + \text{Min.}}{2}$$

- Find difference in center line elevation.
- Using appropriate table below with required elevation, read across until mean center is located; then read at bottom of table the offset angle. Interpolate for elevations or center distances not shown.

Example:  
 Sheave MS-100-W  
 C.D. Min. 18.0, Max. 22.0  
 Elevation 7"  
 Offset Angle – 9-1/2°



		MS-77															
Elevation – inches	3	Mean Center Distance – inches								9*							
	4	Offset angle 7-1/2° for less than								9	12*						
	5	3" elevation; all center								9	10	15*					
	6	distances.								9	10	12	18*				
	7									9	10	11	12	15	21*		
	8									9	10	10	11	12	14	17	24*
	10									12	12	13	14	15	17	21	29*
	12									14	14	15	16	18	21	25	35*
14									16	17	18	19	21	24	29	41*	
16									18	19	20	22	24	27	33	47*	
Offset Angle	4°		4-1/2°	5°	5-1/2°	6°	6-1/2°	7°	7-1/2°								

		MS-97															
Elevation – inches	3	Mean Center Distance – inches								10*							
	4	Offset angle 9° for less than								13*							
	5	3" elevation; all center								11	16*						
	6	distances.								11	13	19*					
	7									11	13	16	22*				
	8									11	12	13	15	18	25*		
	10									12	13	14	15	16	18	22	32*
	12									15	15	16	18	20	22	27	38*
14									17	18	19	21	23	26	31	44*	
16									20	21	22	24	26	30	36	50*	
Offset Angle	5-1/2°		6°	6-1/2°	7°	7-1/2°	8	8-1/2°	9°								

		MS-100W MS-127 MS-975-S																				
Elevation – inches	3	Mean Center Distance – inches										11*	19*									
	4	Offset angle 10° for less than										12	15*	23*								
	5	3" elevation; all center										11	14	19*	29*							
	6	distances.										11	13	17	22*	35*						
	7											11	13	15	20	26*	41*					
	8											11	12	13	15	17	23	30*	47*			
	10											12	12	13	14	15	16	18	21	28	37*	58*
	12											14	15	16	17	18	19	22	26	34	44*	
14											17	17	18	19	21	23	25	30	40	50*		
16											19	20	21	22	24	26	29	34	46	57*		
Offset Angle	5-1/2°		6°	6-1/2°	7°	7-1/2°	8°	8-1/2°	9°	9-1/2°	9-3/4°	10°										

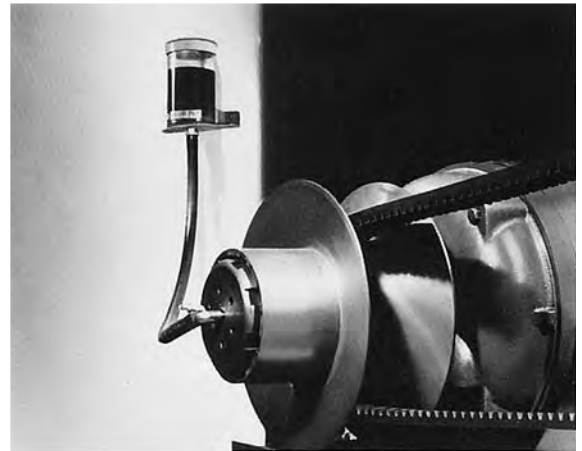
\* Mean center distances and larger.

## Lubrication System

The Sight-Lube lubrication system is available for Wood's MS and MCS motion control variable speed sheaves.

This system permits split-second checking of the oil level in the sheave's reservoir. The sight gauge can be mounted at any convenient location above the drive.

The advantages that the Sight-Lube lubrication offers combined with the unique features of Wood's exclusive motion control sheave oil lubrication system provide outstanding user benefits. While lubrication checks are required only infrequently with Wood's motion control variable speed drives, downtime for such routine maintenance is nonexistent.



**Reservoir Kit**

The ADAPTER KIT, shown at right, consisting of the sheave adapter, gasket and three cap screws is available to fit most existing Wood's oil lubricated variable speed sheaves, and can also be supplied for new units.

The RESERVOIR KIT, at left, is included with all Sight-Lube systems unless specified otherwise. The reservoir is of clear polycarbonate plastic permanently attached to a durable plastic bracket with holes for mounting to any vertical or horizontal surface. This kit also includes a 36-inch section of hose with the necessary clamps for connecting to the rotating joint on the sheave.



**Sheave Adapter Kit**

## How to Order the Sight-Lube Lubrication System

Sight-Lube Kits for installation on existing Wood's motion control variable speed sheaves are available as listed in chart below. Determine the part number of the sheave and from the chart select the proper Sight-Lube Kit number. Example: If the Sight-Lube System is required for an existing MS-97 sheave, order one SL2K Adapter Kit and one SR2K Reservoir Kit.

### Kits Available

For Use With Variable Sheave No.	Adapter Kit Kit No.	Reservoir Kit Kit No.
MS-97	SL2K	SR2K
MS-127, MS-100W, MS-975-S	SL3K	SR2K
MCS-All sizes except 14Y & 15Y	SL3K	SR2K
MCS 14Y & 15Y	SL4K	SR2K

## Features

Roto-Cone® variable speed sheaves and drives allow smooth, infinitely-variable speed changes without stopping the drive motor. Positive rack and pinion design provides equal and opposite lateral movement of both discs, so belts always travel on a fixed center line. Ratings to 30 HP at 1750 RPM. Needs only periodic lubrication. Positive pulling power, precision balanced, proven reliability.



## Features

- **V to V Operating Principle**  
The exclusive rack and gear arrangement incorporated into the design of the ROTO-CONE® Motor Sheave imparts a positive and equal linear movement to each pulley disc. The movement of one disc is opposite to that of the other, thereby causing the belt to travel on a fixed center line. This fixed center line allows driving to a “V” groove companion sheave which need be only slightly wider than the belt. The “V” to “V” principle makes for more efficient power transmission, straight line adjustment of the motor and sheave, longer belt life, vibrationless drive, and eliminates twisting and curling of the belt when changing speeds.
- **Lubrication**  
Close-Grooving grease groove in the bore of the inner disc distributes grease throughout the entire hub length. Sheaves, from RC80 through RC1330 have additional grease fittings and passages to assure thorough lubrication throughout the pulley length. These features combine to practically eliminate fretting corrosion and sticking discs.
- **Bores**  
To ensure a true shaft mounting, all ROTO-CONE® Sheave shafts are precision bored with overall tolerances of .0005.”
- **1/2 thru 30 HP**
- **V-to-V Drive**
- **Operates in Vertical or Horizontal Position**
- **Exclusive Rack and Pinion Design**
- **Proven Reliability**
- **Conventional and Compound Drives**
- **Rugged Cast Iron Construction**



## Selection

MODEL	HP RATING @			BELT	PITCH DIA.		DRIVE CHART PAGE NO.
	3500	1750	1160		MIN.	MAX.	
RC55	1	1/2	1/3	1422V	1.75	5.25	D1-26
RC60	1-1/2	3/4	1/2	1922V	1.92	5.75	D1-26
RC75	-	1 - 1-1/2	7/8 - 1	1922V	2.42	7.25	D1-27
RC80	-	1-1/2 - 3	1 - 2	2322V	2.58	7.75	D1-27
RC105	-	1-1/2 - 3	1 - 2	2926V	2.58	10.38	D1-28
RC100	-	3 - 5	1-1/2 - 3	2926V	3.25	9.75	D1-28
RC1315	-	7-1/2 - 15	5 - 10	4430V	4.25	12.75	D1-29
RC1330	-	15-30	10 - 20	4430V	4.63	12.75	D1-29

Horsepower ratings are based on constant torque and are shown for maximum pitch diameter.  
Horsepower ratings at other pitch diameters reduce in proportion to the driven speed.

### STOCK BORE SIZES AND BORE LENGTHS (BL)

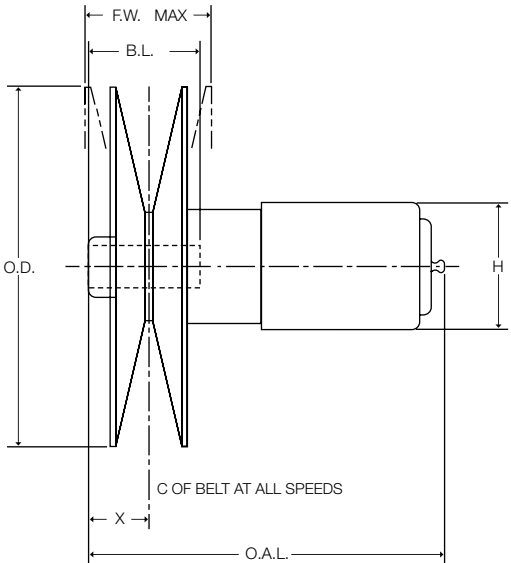
MODEL	BORE SIZE IN INCHES										MAX. BORE
	1/2	5/8	3/4	7/8	1	1-1/8	1-1/4	1-3/8	1-5/8	1-7/8	
	BORE LENGTH IN INCHES										
RC55	1-3/4 *	1-3/4	-	-	-	-	-	-	-	-	5/8
RC60	-	1-7/8	1-7/8	-	-	-	-	-	-	-	3/4
RC75	-	1-7/8	2-1/4	2-5/16	-	-	-	-	-	-	7/8
RC80	-	-	2-1/4	2-5/8	3	3-3/8	-	-	-	-	1-1/8
RC105	-	-	2-1/4	2-5/8	3	3-3/8	-	-	-	-	1-1/8
RC100	-	-	-	-	3	3-3/8	3-3/4	-	-	-	1-1/4
RC1315	-	-	-	-	-	3-3/8	3-3/4	4-1/8	4-7/8	-	1-15/16
RC1330	-	-	-	-	-	-	3-3/4	4-1/8	4-7/8	5-3/8	1-15/16

\* No keyseat.

ORDERING EXAMPLE: RC60 x 5/8

### ROTO-CONE SHEAVE DIMENSIONS

MODEL	O.D.	H	O.A.L.	X	F.W. MAX	WT. LBS.
RC55	5-1/2	2-1/8	5-1/8	1	1-13/16	6
RC60	6	2-1/8	6-1/16	15/16	2-1/4	7
RC75	7-1/2	2-1/2	7-1/2	1-1/4	2-5/8	13.5
RC80	8	3	8-1/2	1-7/16	2-3/4	17
RC105	10-5/8	3	8-1/2	1-13/16	3-1/4	24
RC100	10	3-7/8	10-13/16	2-1/16	3-7/8	34
RC1315	13	5	12-7/8	2-1/4	5-3/8	59
RC1330	13	6-1/4	12-3/8	2-1/2	5-5/8	70



## Selection Charts

### RC55 (1422V BELT)

DRIVEN SPEEDS			PRODUCT NUMBER	GROOVED COMPANION SHEAVE	CENTER DISTANCE IN INCHES AT MAXIMUM AND MINIMUM SPEEDS							
3500 RPM Motor	1750 RPM Motor	1160 RPM Motor			BELT PART NUMBER							
					1422V 360	1422V 420	1422V 480	1422V 540	1422V 600	1422V 660	1422V 720	1422V 780
3500	1750	1160	<b>531M</b>	5.3 x 1M-SH	9.75	12.75	15.75	18.75	21.75	24.75	27.75	30.75
1166	583	387			12.37	15.39	18.41	21.42	24.43	27.44	30.45	33.45
3196	1598	1159	<b>581M</b>	5.8 x 1M-SH	9.36	12.36	15.36	18.36	21.36	24.36	27.36	30.36
1066	533	353			11.93	14.96	17.99	21.01	24.02	27.03	30.04	33.04
2722	1361	902	<b>681M</b>	6.8 x 1M-SH	8.54	11.55	14.55	17.56	20.56	23.56	26.56	29.56
908	454	301			11.02	14.09	17.13	20.16	23.18	26.19	29.21	32.22
2370	1185	785	<b>781M</b>	7.8 x 1M-SH	7.68	10.71	13.73	16.74	19.75	22.75	25.76	28.76
790	395	262			10.07	13.18	16.24	19.29	22.32	25.35	28.37	31.38
2100	1050	696	<b>881M</b>	8.8 x 1M-SH	-	9.84	12.87	15.90	18.92	21.93	24.94	27.94
700	350	232			-	12.23	15.33	18.40	21.45	24.48	27.51	30.54
1884	942	625	<b>981M</b>	*9.8 x 1M-SH	-	8.92	11.99	15.40	18.07	21.09	24.10	27.12
628	314	208			-	11.24	14.38	17.48	20.55	23.60	26.64	29.68
1710	855	567	<b>1081M</b>	*10.8 x 1M-SH	-	-	11.07	14.15	17.20	20.23	23.26	26.28
570	285	189			-	-	13.40	16.54	19.63	22.71	25.76	28.80
1564	782	518	<b>1181M</b>	*11.8 x 1M-SH	-	-	10.11	13.22	16.30	19.35	22.39	25.42
522	261	172			-	-	12.38	15.56	18.69	21.79	24.86	27.92
1376	668	442	<b>1381M</b>	*13.8 x 1M-SDS	-	-	-	11.26	14.42	17.53	20.61	23.67
446	223	148			-	-	-	13.50	16.72	19.88	23.00	26.09

\*Consult factory for availability.

### RC60 (1922V BELT)

DRIVEN SPEEDS			PRODUCT NUMBER	GROOVED COMPANION SHEAVE	CENTER DISTANCE IN INCHES AT MAXIMUM AND MINIMUM SPEEDS									
3500 RPM Motor	1750 RPM Motor	1160 RPM Motor			BELT PART NUMBER									
					1922V 363	1922V 403	1922V 426	1922V 454	1922V 484	1922V 544	1922V 604	1922V 666	1922V 726	1922V 756
3594	1797	1191	<b>561N</b>	5.6 x 1N-SK	9.23	11.23	12.38	13.78	15.28	18.28	21.28	24.38	27.38	28.88
1200	600	398			12.09	14.11	15.27	16.68	18.19	21.21	24.22	27.33	30.33	31.84
3050	1525	1011	<b>661N</b>	6.6 x 1N-SK	8.44	10.44	11.59	12.99	14.49	17.49	20.49	23.59	26.60	28.10
1018	509	337			11.20	13.24	14.40	15.82	17.34	20.36	23.38	26.50	29.51	31.01
2648	1324	878	<b>761N</b>	7.6 x 1N-SK	-	9.62	10.77	12.18	13.68	16.69	19.69	22.79	25.80	27.30
884	442	293			-	12.33	13.50	14.93	16.46	19.50	22.53	25.65	28.67	30.18
2340	1170	776	<b>861N</b>	8.6 x 1N-SK	-	8.75	9.92	11.33	12.84	15.86	18.87	21.98	24.98	26.49
782	391	259			-	11.38	12.57	14.02	15.56	18.62	21.66	24.79	27.82	29.33
2096	1048	695	<b>961N</b>	9.6 x 1N-SK	-	-	9.02	10.45	11.98	15.01	18.03	21.15	24.16	25.66
760	350	232			-	-	11.60	13.06	14.62	17.71	20.77	23.92	26.96	28.47
1898	949	629	<b>1061N</b>	10.6 x 1N-SK	-	-	-	9.53	11.07	14.13	17.17	20.30	23.32	24.83
634	317	210			-	-	-	12.07	13.65	16.77	19.86	23.03	26.08	27.60
1734	867	575	<b>1161N</b>	11.6 x 1N-SK	-	-	-	-	10.13	13.23	16.29	19.43	22.47	23.98
580	290	192			-	-	-	-	12.64	15.81	18.93	22.12	25.18	26.71
1480	740	490	<b>1361N</b>	13.6 x 1N-SK	-	-	-	-	-	11.30	14.44	17.64	20.70	22.23
494	247	164			-	-	-	-	-	13.77	16.98	20.23	23.34	24.88
1290	645	428	<b>1561N</b>	15.6 x 1N-SK	-	-	-	-	-	-	12.45	15.73	18.85	20.40
430	215	143			-	-	-	-	-	-	14.89	18.23	21.41	22.98
1194	572	379	<b>1761N</b>	17.6 x 1N-SK	-	-	-	-	-	-	-	13.68	16.89	18.48
382	191	127			-	-	-	-	-	-	-	-	16.10	19.37

Refer to table on page D1—52 for additional belts available.

## Selection Charts

### RC75 (1922V BELT)

DRIVEN SPEED		PRODUCT NUMBER	GROOVED COMPANION SHEAVE	CENTER DISTANCE IN INCHES AT MAXIMUM AND MINIMUM SPEEDS									
1750 RPM Motor	1160 RPM Motor			BELT PART NUMBER									
				1922V	1922V	1922V	1922V	1922V	1922V	1922V	1922V	1922V	1922V
				363	403	426	454	484	544	604	666	726	756
2266	1502	<b>561N</b>	5.6 x 1N-SK	8.01	10.02	11.17	12.58	14.08	17.08	20.09	23.19	26.19	27.69
756	501			11.73	13.75	14.91	16.32	17.82	20.83	23.84	26.95	29.95	31.46
1922	1274	<b>661N</b>	6.6 x 1N-SK	-	9.26	10.42	11.82	13.32	16.32	19.32	22.42	25.42	26.92
642	425			-	12.88	14.05	15.46	16.98	20.00	23.01	26.12	29.13	30.64
1669	1107	<b>761N</b>	7.6 x 1N-SK	-	-	9.63	11.03	12.53	15.53	18.53	21.63	24.63	26.13
557	369			-	-	13.16	14.58	16.11	19.14	22.17	25.29	28.30	29.81
1475	978	<b>861N</b>	8.6 x 1N-SK	-	-	-	10.23	11.73	14.73	17.74	20.84	23.84	25.34
492	326			-	-	-	13.67	15.21	18.26	21.30	24.43	27.46	28.97
1322	876	<b>961N</b>	9.6 x 1N-SK	-	-	-	-	10.90	13.91	16.92	20.03	23.03	24.53
441	292			-	-	-	-	14.28	17.36	20.42	23.56	26.60	28.11
1197	793	<b>1061N</b>	10.6 x 1N-SK	-	-	-	-	-	13.06	16.08	19.20	22.21	23.71
400	265			-	-	-	-	-	-	16.44	19.52	22.68	25.72
1094	725	<b>1161N</b>	11.6 x 1N-SK	-	-	-	-	-	12.19	15.23	18.35	21.37	22.88
365	242			-	-	-	-	-	-	15.48	18.59	21.77	24.83
933	618	<b>1361N</b>	13.6 x 1N-SK	-	-	-	-	-	-	13.42	16.60	19.65	21.17
311	206			-	-	-	-	-	-	-	16.65	19.89	23.00
813	539	<b>1561N</b>	15.6 x 1N-SK	-	-	-	-	-	-	-	14.73	17.83	19.37
271	180			-	-	-	-	-	-	-	-	17.91	21.08
721	478	<b>1761N</b>	17.6 x 1N-SK	-	-	-	-	-	-	-	-	15.91	17.48
241	160			-	-	-	-	-	-	-	-	-	19.05

### RC80 (2322V BELT)

DRIVEN SPEED		PRODUCT NUMBER	GROOVED COMPANION SHEAVE	CENTER DISTANCE IN INCHES AT MAXIMUM AND MINIMUM SPEEDS									
1750 RPM Motor	1160 RPM Motor			BELT PART NUMBER									
				2322V	2322V	2322V	2322V	2322V	2322V	2322V	2322V	2322V	2322V
				421	441	481	521	541	601	661	721	801	1001
2055	1362	<b>661P</b>	6.6 x 1P-SK	9.76	10.76	12.76	14.77	15.77	18.77	21.77	24.77	28.77	38.77
684	453			13.68	14.69	16.71	18.72	19.73	22.74	25.75	28.76	32.77	42.79
1785	1183	<b>761P</b>	7.6 x 1P-SK	8.99	9.99	11.99	13.99	14.99	17.99	20.99	23.99	27.99	37.99
594	394			12.79	13.81	15.84	17.86	18.87	21.90	24.92	27.93	31.95	41.97
1577	1045	<b>861P</b>	8.6 x 1P-SK	-	9.20	11.20	13.20	14.20	17.20	20.20	23.20	27.20	37.20
525	348			-	12.90	14.94	16.98	18.00	21.04	24.06	27.09	31.11	41.15
1413	936	<b>961P</b>	9.6 x 1P-SK	-	-	10.38	12.38	13.39	16.39	19.40	22.40	26.40	36.41
470	312			-	-	14.02	16.08	17.10	20.15	23.20	26.23	30.26	40.32
1262	836	<b>1081P</b>	10.8 x 1P-SK	-	-	-	11.41	12.42	15.44	18.45	21.46	25.47	35.48
420	278			-	-	-	15.00	16.03	19.11	22.18	25.22	29.27	39.35
1154	765	<b>1181P</b>	11.8 x 1P-SK	-	-	-	-	11.55	14.58	17.61	20.63	24.64	34.67
384	255			-	-	-	-	15.07	18.18	21.27	24.33	28.40	38.50
986	654	<b>1381P</b>	13.8 x 1P-SK	-	-	-	-	-	12.79	15.86	18.91	22.95	33.01
328	218			-	-	-	-	-	-	16.24	19.38	22.49	26.60
861	571	<b>1581P</b>	15.8 x 1P-SK	-	-	-	-	-	-	13.99	17.10	21.19	31.31
287	190			-	-	-	-	-	-	-	17.38	20.56	24.73
764	506	<b>1781P</b>	17.8 x 1P-SK	-	-	-	-	-	-	-	15.17	19.34	29.57
254	169			-	-	-	-	-	-	-	-	18.52	22.78

Refer to table on page D1—53 for additional belts available.

## Selection Charts

### RC105 (2926V BELT)

DRIVEN SPEED		PRODUCT NUMBER	GROOVED COMPANION SHEAVE	CENTER DISTANCE IN INCHES AT MAXIMUM AND MINIMUM SPEEDS								
1750 RPM Motor	1160 RPM Motor			BELT PART NUMBER								
				2926V 574	2926V 606	2926V 646	2926V 686	2926V 726	2926V 834	2926V 906	2926V 1006	
2390 594	1584 394	761T	7.6 x 1T-SK	14.50	16.11	18.12	20.12	22.13	27.54	31.14	36.15	
				20.54	22.15	24.16	26.17	28.18	33.60	37.21	42.22	
2112 525	1400 348	861T	8.6 x 1T-SK	13.76	15.36	17.37	19.37	21.37	26.78	30.38	35.38	
				19.67	21.29	23.31	25.32	27.34	32.77	36.38	41.40	
1892 470	1254 312	961T	9.6 x 1T-SK	13.00	14.60	16.60	18.60	20.60	26.00	29.60	34.60	
				18.78	20.41	22.44	24.46	26.48	31.92	35.54	40.57	
1714 426	1136 282	1061T	10.6 x 1T-SK	12.22	13.82	15.82	17.82	19.82	25.22	28.82	33.82	
				17.87	19.51	21.55	23.58	25.61	31.07	34.70	39.73	
1566 389	1038 258	1161T	11.6 x 1T-SK	-	13.02	15.02	17.02	19.02	24.43	28.03	38.03	
				-	18.58	20.64	22.68	24.72	30.20	33.84	38.88	
1336 332	885 220	1361T	13.6 x 1T-SK	-	-	13.36	15.37	17.38	22.80	26.41	31.42	
				-	-	18.75	20.82	22.89	28.42	32.08	37.15	
1164 289	772 192	1561T	15.6 x 1T-SK	-	-	-	-	15.66	21.12	24.74	29.77	
				-	-	-	-	20.97	26.58	30.28	35.38	
1032 257	684 170	1761T	17.6 x 1T-SK	-	-	-	-	-	19.36	23.02	28.07	
				-	-	-	-	-	24.66	28.40	33.56	
927 230	614 153	1961T	19.6 x 1T-SK	-	-	-	-	-	17.51	21.22	26.32	
				-	-	-	-	-	22.65	26.46	31.68	

### RC100 (2926V BELT)

DRIVEN SPEED		PRODUCT NUMBER	GROOVED COMPANION SHEAVE	CENTER DISTANCE IN INCHES AT MAXIMUM AND MINIMUM SPEEDS								
1750 RPM Motor	1160 RPM Motor			BELT PART NUMBER								
				2926V 574	2926V 606	2926V 646	2926V 686	2926V 726	2926V 834	2926V 906	2926V 1006	
2245 748	1488 496	761T	7.6 x 1T-SK	15.03	16.63	18.43	20.64	22.64	28.05	31.65	36.65	
				20.05	21.66	23.67	25.68	27.68	33.10	36.71	41.72	
1984 661	1315 438	861T	8.6 x 1T-SK	14.27	15.87	17.88	19.88	21.88	27.28	30.88	35.88	
				19.19	20.81	22.82	24.84	26.85	32.27	35.88	40.90	
1777 592	1178 393	961T	9.6 x 1T-SK	13.50	15.10	17.10	19.10	21.10	26.50	30.10	35.10	
				18.31	19.93	21.96	23.98	26.00	31.43	35.05	40.07	
1610 537	1067 356	1061T	10.6 x 1T-SK	12.71	14.31	16.31	18.31	20.31	25.71	29.31	34.31	
				17.41	19.04	21.08	23.11	25.13	30.58	34.21	39.23	
1471 490	975 325	1161T	11.6 x 1T-SK	-	13.50	15.50	17.50	19.51	24.91	28.51	33.52	
				-	18.13	20.17	22.22	24.25	29.72	33.35	38.39	
1255 418	832 277	1361T	13.6 x 1T-SK	-	-	13.81	15.83	17.85	23.27	26.88	31.90	
				-	-	18.30	20.37	22.43	27.95	31.61	36.67	
1294 365	725 242	1561T	15.6 x 1T-SK	-	-	-	14.06	16.10	21.57	25.20	30.23	
				-	-	-	18.93	20.53	26.12	29.81	34.91	
969 323	643 214	1761T	17.6 x 1T-SK	-	-	-	-	-	19.80	23.46	28.53	
				-	-	-	-	-	24.21	27.85	33.10	
871 290	577 192	1961T	19.6 x 1T-SK	-	-	-	-	-	17.94	21.65	26.76	
				-	-	-	-	-	22.22	26.02	31.23	

Refer to table on page D1—53 for additional belts available.

## Selection Charts

### RC1315 (4430V BELT)

DRIVEN SPEED		PRODUCT NUMBER	GROOVED COMPANION SHEAVE	CENTER DISTANCE IN INCHES AT MAXIMUM AND MINIMUM SPEEDS							
1750 RPM Motor	1160 RPM Motor			BELT PART NUMBER							
				4430V 730	4430V 790	4430V 850	4430V 910	4430V 970	4430V 1090	4430V 1320	4430V 1610
2028 676	1345 448	<b>1101W</b>	11.0 x 1W-SF	17.82	20.82	23.83	26.83	29.83	35.83	47.34	61.84
				24.27	27.30	30.32	33.34	36.35	42.38	53.91	68.43
1859 620	1233 411	<b>1201W</b>	12.0 x 1W-SF	17.05	20.06	23.06	26.06	29.06	35.06	46.56	61.06
				23.39	26.43	29.46	32.49	35.51	41.54	53.08	67.61
1716 572	1138 379	<b>1301W</b>	13.0 x 1W-SF	16.27	19.27	22.27	25.27	28.27	34.27	45.77	60.27
				22.50	25.55	28.59	31.62	34.65	40.70	52.25	66.79
1594 531	1056 352	<b>1401W</b>	14.0 x 1W-SF	15.47	18.48	21.48	24.48	27.48	33.48	44.98	59.48
				21.58	24.65	27.70	30.75	33.79	39.84	51.41	65.97
1488 496	986 329	<b>1501W</b>	15.0 x 1W-SF	-	17.66	20.67	23.67	26.68	32.68	44.19	58.69
				-	23.73	26.80	29.86	32.91	38.98	50.57	65.14
1395 465	924 308	<b>1601W</b>	16.0 x 1W-SF	-	16.83	19.84	22.85	25.86	31.87	43.38	57.89
				-	22.80	25.89	28.96	32.02	38.11	49.72	64.30
1240 413	822 274	<b>1801W</b>	18.0 x 1W-SF	-	-	18.14	21.17	24.19	30.22	41.76	56.28
				-	-	23.99	27.10	30.19	36.33	47.99	62.61
1116 372	740 247	<b>2001W</b>	20.0 x 1W-SF	-	-	-	19.41	22.46	28.53	40.10	54.64
				-	-	-	25.17	28.30	34.50	46.23	60.90
1014 338	672 224	<b>2201W</b>	22.0 x 1W-SF	-	-	-	-	20.65	26.78	38.40	52.98
				-	-	-	-	26.34	32.61	44.43	59.16
930 310	616 205	<b>2401W</b>	24.0 x 1W-SF	-	-	-	-	-	24.96	36.67	51.30
				-	-	-	-	-	30.66	42.60	57.40
797 266	528 176	<b>2801W</b>	28.0 x 1W-E	-	-	-	-	-	-	33.06	47.84
				-	-	-	-	-	-	38.78	53.77

### RC1330 (4430V BELT)

DRIVEN SPEED		PRODUCT NUMBER	GROOVED COMPANION SHEAVE	CENTER DISTANCE IN INCHES AT MAXIMUM AND MINIMUM SPEEDS							
1750 RPM Motor	1160 RPM Motor			BELT PART NUMBER							
				4430V 730	4430V 790	4430V 850	4430V 910	4430V 970	4430V 1090	4430V 1320	4430V 1610
2028 737	1345 488	<b>1101W</b>	11.0 x 1W-SF	17.82	20.82	23.83	26.83	29.83	35.83	47.34	61.84
				23.99	27.02	30.04	33.06	36.07	42.09	53.62	68.14
1859 675	1233 448	<b>1201W</b>	12.0 x 1W-SF	17.05	20.06	23.06	26.06	29.06	35.06	46.56	61.06
				23.12	26.16	29.19	32.21	35.23	41.26	52.80	67.33
1716 623	1138 413	<b>1301W</b>	13.0 x 1W-SF	16.27	19.27	22.27	25.27	28.27	34.27	45.77	60.27
				22.23	25.28	28.32	31.35	34.38	40.42	51.97	66.51
1594 579	1056 384	<b>1401W</b>	14.0 x 1W-SF	15.47	18.48	21.48	24.48	27.48	33.48	44.98	59.48
				21.32	24.39	27.44	30.48	33.51	39.57	51.13	65.68
1488 540	986 358	<b>1501W</b>	15.0 x 1W-SF	-	17.66	20.67	23.67	26.68	32.68	44.19	58.69
				-	23.47	26.54	29.59	32.64	38.71	50.29	64.86
1395 506	924 336	<b>1601W</b>	16.0 x 1W-SF	-	16.83	19.84	22.85	25.86	31.87	43.38	57.89
				-	22.54	25.63	28.69	31.75	37.84	49.44	64.02
1240 450	822 298	<b>1801W</b>	18.0 x 1W-SF	-	-	18.14	21.17	24.19	30.22	41.76	56.28
				-	-	23.74	26.85	29.93	36.06	47.72	62.34
1116 405	740 269	<b>2001W</b>	20.0 x 1W-SF	-	-	-	19.41	22.46	28.53	40.10	54.64
				-	-	-	24.92	28.05	34.24	45.96	60.63
1014 368	672 244	<b>2201W</b>	22.0 x 1W-SF	-	-	-	-	20.65	26.78	38.40	52.98
				-	-	-	-	26.09	32.36	44.17	58.89
930 338	616 224	<b>2401W</b>	24.0 x 1W-SF	-	-	-	-	-	24.96	36.67	51.30
				-	-	-	-	-	30.41	42.34	57.13
797 289	528 192	<b>2801W</b>	28.0 x 1W-E	-	-	-	-	-	-	33.06	47.84
				-	-	-	-	-	-	38.53	53.51

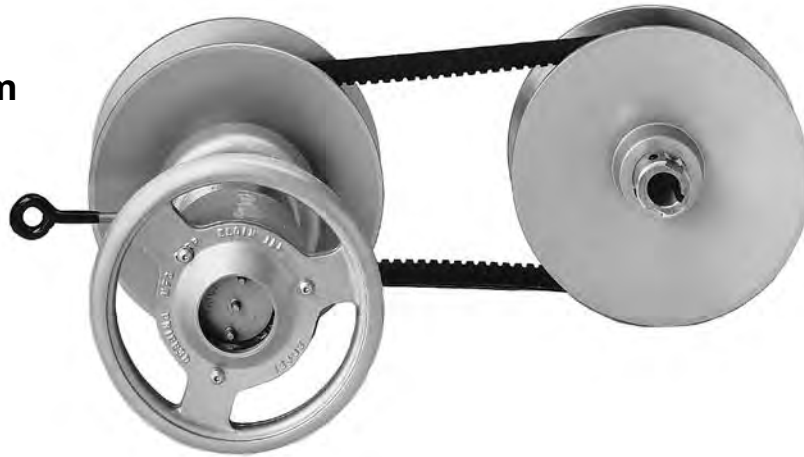
Refer to table on page D1-53 for additional belts available.

# Roto-Cone® Type W

## Dimensions

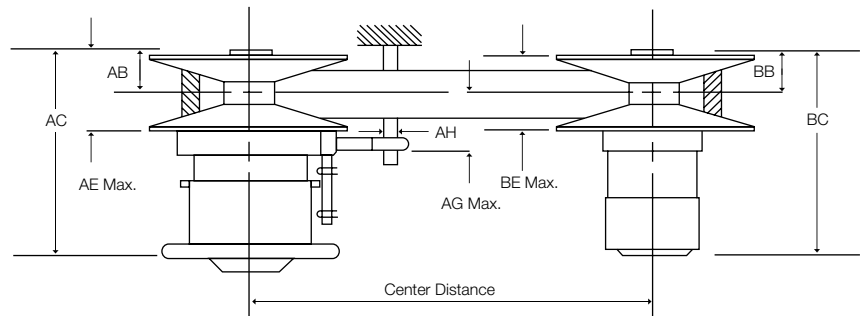
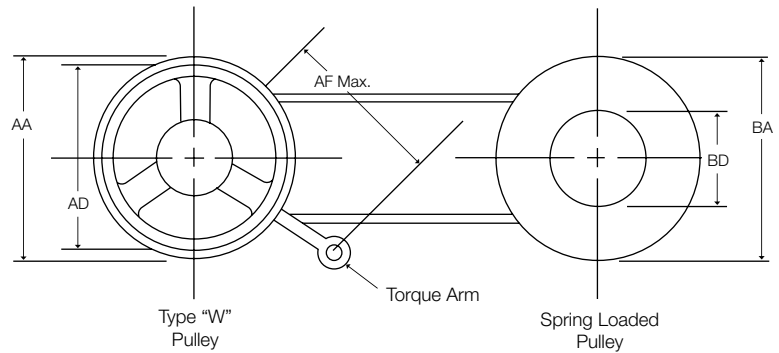
### Fixed Center Drive

1/4 - 25 HP @ 1750 rpm



### Standard Bores

Model	Standard Bores
RC55W	1/2, 5/8
RC60W	5/8, 3/4
RC75W	5/8, 3/4, 7/8
RC80W	3/4, 7/8, 1, 1-1/8
RC105W	3/4, 7/8, 1-1/8
RC100W	1-1/8, 1-1/4
RC1315W	1-3/8, 1-5/8
RC1330W	1-1/4, 1-5/8, 1-7/8



### Roto-Cone Type W Dimensions

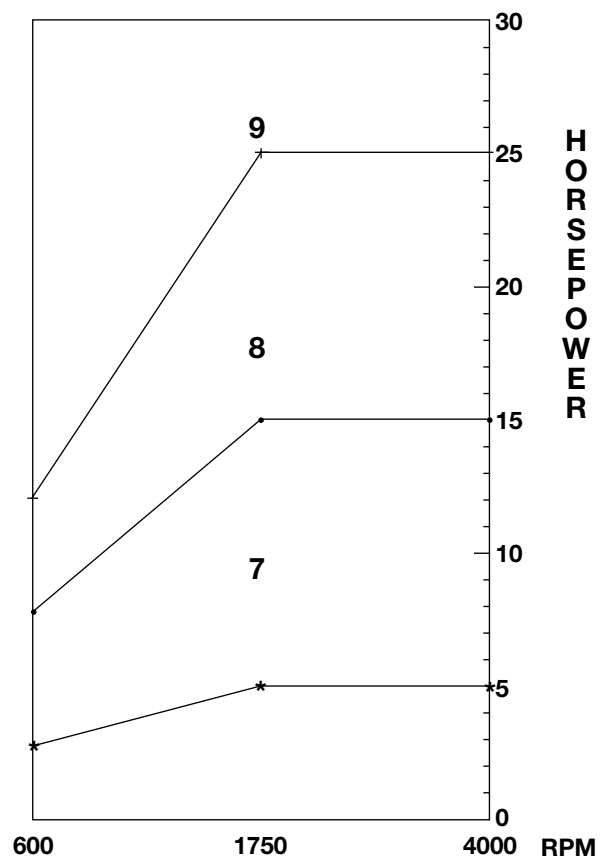
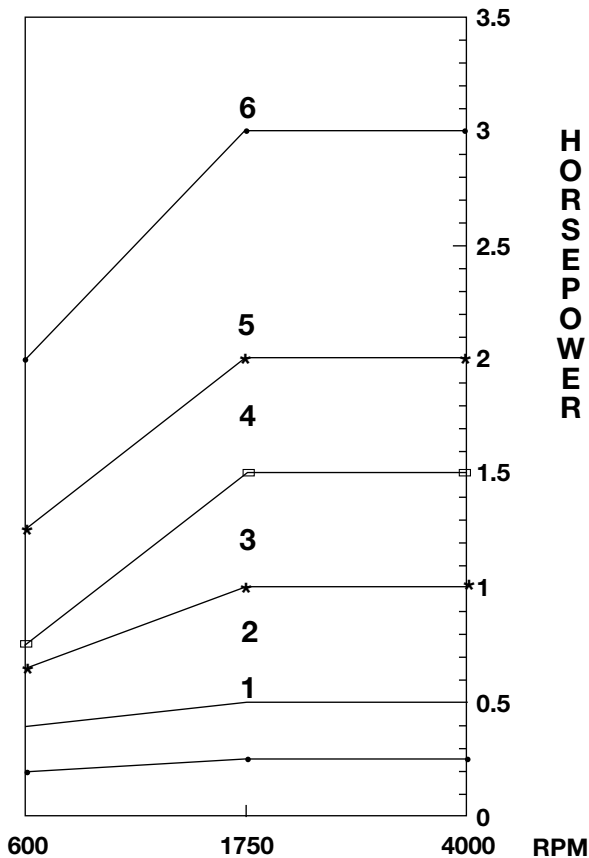
Driver Model	Driven Model	AA	AB	AC	AD	AE Max.	AF Max.	AG Max.	AH	BA	BB	BC	BD	BE Max.
RC55W	RC55	5.50	1.00	6.31	5.50	1.81	4.00	1.81	.50	5.50	1.00	4.75	2.06	1.18
RC60W	RC60	6.00	.94	6.75	5.50	2.25	4.00	2.38	.50	6.00	.94	5.75	2.25	2.25
RC75W	RC75	7.50	1.25	8.31	7.50	2.63	6.25	2.13	.63	7.50	1.25	7.13	2.63	2.63
RC80W	RC80	8.00	1.44	9.19	7.50	2.75	6.25	2.88	.63	8.00	1.44	8.00	2.88	2.75
RC105W	RC105	10.63	1.81	9.19	7.50	3.00	6.25	2.19	.63	10.63	1.81	8.00	2.88	3.25
RC100W	RC100	10.00	2.06	11.88	9.00	3.88	6.25	3.69	.63	10.00	2.06	10.19	3.63	3.88
RC1315W	RC1315	13.00	2.25	15.44	12.00	5.38	9.50	5.06	.63	13.00	2.25	12.56	4.50	5.38
RC1330W	RC1330	13.00	2.50	14.25	12.00	5.38	9.50	3.75	.88	13.00	2.50	12.00	6.25	5.63

## Dimensions

### 1/4 - 25 HP @ 1750 rpm

LINE NUMBER	HP RATING @1750	PULLEY MODELS		DRIVEN SPEEDS 1750 RPM DRIVER		CENTER DISTANCE (IN.)								
						1422V BELT								
						360	420	480	540	600	660	720	780	
1	0.25	RC55W	RC55	5000	600	12.45	15.45	18.45	21.45	24.45	27.45	30.45	33.45	
						1922V BELT								
						363	403	426	454	484	544	604	666	726
2	0.5	RC60W	RC60	5000	600	12.05	14.05	15.2	16.6	18.1	21.1	24.1	27.2	30.2
3	1	RC60W	RC75	2700	490	10.79	12.79	13.94	15.34	16.84	19.84	22.84	25.94	28.94
4	1.5	RC75W	RC75	4800	600	10.47	12.47	13.62	15.02	16.52	19.52	22.52	25.62	28.62
						2322V BELT								
						441	481	521	541	601	661	721	801	1001
5	2	RC80W	RC80	4400	600	13.7	15.7	17.7	18.7	21.7	24.7	27.7	31.7	41.7
						2926V BELT								
						574	606	646	686	726	834	906	1006	
6	3	RC105W	RC105	3600	450	18.2	19.8	21.8	23.8	25.8	31.2	34.8	39.8	
7	5	RC100W	RC100	3820	600	18.1	19.7	21.7	23.7	25.7	31.1	34.7	39.7	
						4430V BELT								
						730	790	850	910	970	1030	1090	1150	1320
8	15	RC1315W	RC1315	3000	600	22.7	25.7	28.7	31.7	34.7	37.7	40.7	43.7	52.2

The following charts are based around a 1750 rpm motor. All other motor speeds will be proportional.



Graphs show horsepower rating for line number indicated.



## Selection Charts

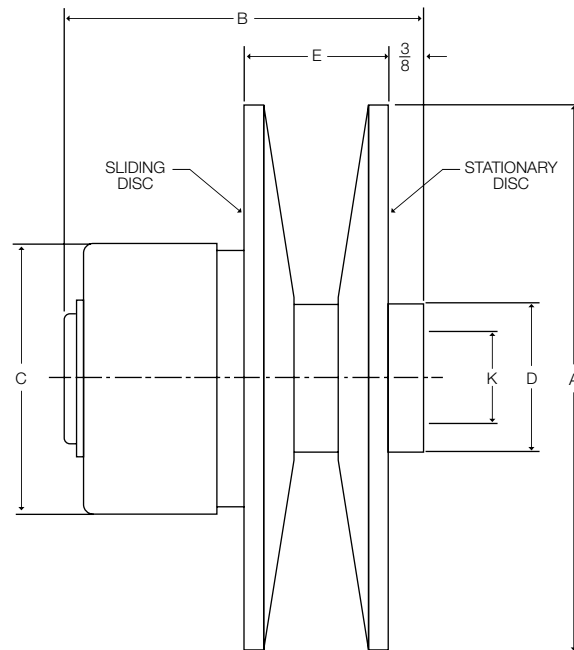
MODEL NO.	HP @ RPM		SPEED RATIO	BELT SECTION	PITCH DIA.		DRIVE CHART PAGE NO.
	1750	1160			MAX.	MIN.	
VC30	1/3	1/4	1.7:1	A	3.4	2.0	D1-33
VC40	1/2	1/3	2.0:1	A	4.0	2.0	D1-33
VC51	1	1/2	1.7:1	B	5.1	3.0	D1-34
VC57	2	1	2.2:1	B	5.8	2.7	D1-34

Horsepower ratings are based on constant torque and are shown for maximum pitch diameters.  
Horsepower ratings at other pitch diameters reduce in proportion to the speed.



## FEATURES

- Cast Iron Construction
- No Lubrication
- Thru Shaft Mounting
- Economical, Compact Design
- 1/2 HP thru 2 HP @ 1750 rpm



### Dimensions

MODEL NO.	DIMENSIONS IN INCHES					MAX.	WEIGHT BORE	LBS.
	A	B	C	D	E*	STOCK BORE		
VC30	3.38	2.77	2.13	1.38	1.09	1/2, 5/8, 3/4	3/4	1.8
VC40	4.00	2.88	2.13	1.38	1.25	1/2, 5/8, 3/4	3/4	2.5
VC51	5.25	3.69	2.95	1.63	1.46	5/8, 3/4, 7/8, 1	1-1/8	4.5
VC57	6.00	3.94	2.95	1.63	1.59	5/8, 3/4, 7/8, 1	1-1/8	6.8

\* Maximum Dimension

ORDERING EXAMPLE: VC40 X 5/8

### Bores and Keyseats

BORE	KEYSEAT
1/2	NONE
5/8 - 3/4 - 7/8	3/16 x 3/32
1"	1/4 x 1/8

**Selection Charts**

**VC30 (A and 4L BELTS)**

DRIVEN SPEEDS				FHP COMPANION SHEAVE PRODUCT NUMBER	MINIMUM CENTER DISTANCE (ADD 1" FOR MAXIMUM)								
1750 RPM		1160 RPM			BELT NUMBER								
MAX. SPEED	MIN. SPEED	MAX. SPEED	MIN. SPEED		AP25	AP30	AP35	AP40	AP45	AP55	AP65	AP75	AP80
1777	1034	1178	685	<b>AK32</b>	7.93	10.43	12.93	15.43	17.93	22.93	27.93	32.93	35.43
1543	898	1023	595	<b>AK39</b>	7.53	10.03	12.53	15.03	17.53	22.53	27.53	32.53	35.03
1466	853	972	566	<b>AK41</b>	7.37	9.87	12.37	14.87	17.37	22.37	27.37	32.37	34.87
1363	794	904	526	<b>AK44</b>	7.12	9.63	12.13	14.63	17.13	22.14	27.14	32.14	34.64
1106	644	733	427	<b>AK54</b>	6.27	8.80	11.31	13.82	16.32	21.33	26.34	31.34	33.84
1011	588	670	390	<b>AK59</b>	5.83	8.37	10.89	13.40	15.91	20.92	25.93	30.94	33.44
931	542	617	359	<b>AK64</b>	-	7.92	10.46	12.98	15.49	20.51	25.52	30.53	33.03
803	467	532	310	<b>AK74</b>	-	6.99	9.57	12.11	14.64	19.68	24.70	29.71	32.22
706	411	468	273	<b>AK84</b>	-	-	8.63	11.21	13.76	18.82	23.86	28.88	31.39
630	367	418	243	<b>AK94</b>	-	-	7.63	10.26	12.85	17.95	23.01	28.04	30.56
543	316	360	209	<b>AK109</b>	-	-	-	8.74	11.41	16.59	21.69	26.76	29.28
477	277	316	184	<b>AK124</b>	-	-	-	-	9.85	15.17	20.33	25.43	27.97
383	223	254	148	<b>AK154</b>	-	-	-	-	-	12.06	17.45	22.67	25.25

**VC40 (A and 4L BELTS)**

DRIVEN SPEEDS				FHP COMPANION SHEAVE PRODUCT NUMBER	MINIMUM CENTER DISTANCE (ADD 1.12" FOR MAXIMUM)								
1750 RPM		1160 RPM			BELT NUMBER								
MAX. SPEED	MIN. SPEED	MAX. SPEED	MIN. SPEED		AP25	AP30	AP35	AP40	AP45	AP55	AP65	AP75	AP80
2121	1034	1406	685	<b>AK32</b>	7.41	9.91	12.41	14.91	17.41	22.41	27.41	32.41	34.91
1842	898	1221	595	<b>AK39</b>	7.02	9.51	12.02	14.52	17.02	22.02	27.02	32.02	34.52
1750	853	1160	566	<b>AK41</b>	6.87	9.37	11.87	14.37	16.87	21.87	26.87	31.87	34.37
1628	794	1079	526	<b>AK44</b>	6.63	9.13	11.63	14.13	16.63	21.63	26.63	31.63	34.13
1321	644	875	427	<b>AK54</b>	5.81	8.32	10.82	13.33	15.83	20.83	25.84	30.84	33.34
1207	588	800	390	<b>AK59</b>	-	7.90	10.41	12.92	15.42	20.43	25.43	30.44	32.94
1111	542	737	359	<b>AK64</b>	-	7.46	9.99	12.50	15.01	20.02	25.03	30.04	32.54
959	467	636	310	<b>AK74</b>	-	6.55	9.11	11.65	14.17	19.20	24.21	29.22	31.73
843	411	559	273	<b>AK84</b>	-	-	8.19	10.76	13.30	18.35	23.38	28.40	30.91
753	367	499	243	<b>AK94</b>	-	-	-	9.83	12.40	17.49	22.53	27.56	30.08
648	316	430	209	<b>AK109</b>	-	-	-	8.33	10.98	16.14	21.23	26.29	28.81
569	277	377	184	<b>AK124</b>	-	-	-	-	9.44	14.73	19.89	24.98	27.51
458	223	303	148	<b>AK154</b>	-	-	-	-	-	11.65	17.02	22.23	24.81

Refer to table on page D1—35 for additional companions available.  
 Refer to table on page D1—40 for additional belts available.

## Selection Charts

### VC51 (B and 5L BELTS)

DRIVEN SPEEDS				FHP COMPANION SHEAVE PRODUCT NUMBER	MINIMUM CENTER DISTANCE (ADD 1.75" FOR MAXIMUM)									
1750 RPM		1160 RPM			BELT NUMBER									
MAX. SPEED	MIN. SPEED	MAX. SPEED	MIN. SPEED		BP25	BP30	BP35	BP40	BP45	BP55	BP65	BP75	BP80	
2047	1184	1357	785	<b>BK46</b>	6.46	8.46	10.96	13.46	15.96	20.97	25.97	30.97	33.47	
1697	981	1125	651	<b>BK55</b>	-	7.76	10.26	12.76	15.26	20.26	25.26	30.26	32.76	
1635	946	1084	627	<b>BK57</b>	-	7.60	10.10	12.60	15.10	20.10	25.10	30.10	32.60	
1497	866	993	574	<b>BK62</b>	-	7.20	9.70	12.20	14.71	19.71	24.71	29.71	32.21	
1382	799	916	530	<b>BK67</b>	-	6.78	9.29	11.80	14.30	19.31	24.31	29.31	31.81	
1320	764	875	506	<b>BK72</b>	-	-	9.04	11.55	14.06	19.06	24.07	29.07	31.57	
1196	692	793	459	<b>BK77</b>	-	-	8.45	10.97	13.48	18.49	23.50	28.51	31.01	
1019	589	675	391	<b>BK90</b>	-	-	-	9.83	12.37	17.41	22.43	27.45	29.95	
914	529	606	351	<b>BK100</b>	-	-	-	8.91	11.48	16.55	21.59	26.62	29.13	
793	458	525	304	<b>BK115</b>	-	-	-	-	10.06	15.22	20.30	25.35	27.86	
759	439	503	291	<b>BK120</b>	-	-	-	-	9.56	14.76	19.86	24.92	27.44	
699	405	464	268	<b>BK130</b>	-	-	-	-	-	13.81	18.96	24.04	26.57	
566	328	375	217	<b>BK160</b>	-	-	-	-	-	-	16.10	21.31	23.88	

### VC57 (B and 5L BELTS)

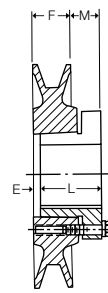
DRIVEN SPEEDS				FHP COMPANION SHEAVE PRODUCT NUMBER	MINIMUM CENTER DISTANCE (ADD 2.6" FOR MAXIMUM)									
1750 RPM		1160 RPM			BELT NUMBER									
MAX. SPEED	MIN. SPEED	MAX. SPEED	MIN. SPEED		BP25	BP30	BP35	BP40	BP45	BP55	BP65	BP75	BP80	
2308	1064	1530	705	<b>BK46</b>	5.91	7.93	10.43	12.94	15.44	20.45	25.45	30.45	32.95	
1913	882	1268	584	<b>BK55</b>	-	7.25	9.75	12.25	14.75	19.75	24.75	29.75	32.25	
1843	849	1222	563	<b>BK57</b>	-	7.09	9.59	12.09	14.59	19.59	24.59	29.59	32.09	
1688	778	1119	516	<b>BK62</b>	-	-	9.20	11.70	14.20	19.20	24.20	29.20	31.70	
1558	718	1033	476	<b>BK67</b>	-	-	8.80	11.30	13.80	18.81	23.81	28.81	31.31	
1489	686	987	455	<b>BK72</b>	-	-	8.56	11.06	13.56	18.57	23.57	28.57	31.07	
1349	622	894	412	<b>BK77</b>	-	-	7.97	10.49	12.99	18.00	23.01	28.01	30.51	
1149	529	761	351	<b>BK90</b>	-	-	-	9.37	11.90	16.93	21.95	26.96	29.46	
1031	475	683	315	<b>BK100</b>	-	-	-	-	11.02	16.08	21.11	26.13	28.64	
894	412	592	273	<b>BK115</b>	-	-	-	-	9.63	14.76	19.83	24.87	27.39	
856	394	567	261	<b>BK120</b>	-	-	-	-	-	14.31	19.40	24.45	26.96	
789	363	523	241	<b>BK130</b>	-	-	-	-	-	13.38	18.51	23.58	26.11	
638	294	423	195	<b>BK160</b>	-	-	-	-	-	-	15.68	20.87	23.44	

Refer to table on page D1-35 for additional companions available.  
 Refer to table on page D1-40 for additional belts available.

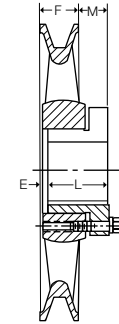
## Light Duty Sheaves

### AK QT SHEAVES

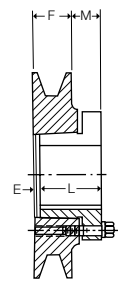
DATUM DIA.	O.D. ♦	SINGLE-GROOVE						
		PRODUCT NO.	TYPE	DIMENSIONS				Wt. (lbs.)
A (4L) Belts	E			F	L	M		
2.8	3.0	AK30	E1	3/8	3/4	1-1/4	7/8	1.7
3.0	3.2	AK32	E1	3/8	3/4	1-1/4	7/8	1.8
3.2	3.4	AK34	C2	1/16	3/4	1-1/4	9/16	1.6
3.5	3.7	AK39	C2	1/16	3/4	1-1/4	9/16	2.0
3.7	3.9	AK41	C2	1/16	3/4	1-1/4	9/16	2.2
4.0	4.2	AK44	C2	1/16	3/4	1-1/4	9/16	2.5
4.2	4.4	AK46	C2	1/16	3/4	1-1/4	9/16	2.5
4.5	4.7	AK49	C2	1/16	3/4	1-1/4	9/16	2.6
4.7	4.9	AK51	C2	1/16	3/4	1-1/4	9/16	2.9
5.0	5.2	AK54	C2	1/16	3/4	1-1/4	9/16	2.6
5.2	5.4	AK56	C2	1/16	3/4	1-1/4	9/16	2.9
5.5	5.7	AK59	C2	1/16	3/4	1-1/4	9/16	3.0
5.7	5.9	AK61	D3	1/16	3/4	1-1/4	9/16	3.1
6.0	6.2	AK64	D3	1/16	3/4	1-1/4	9/16	3.3
6.2	6.4	AK66	D3	1/16	3/4	1-1/4	9/16	3.4
6.5	6.7	AK69	D3	1/16	3/4	1-1/4	9/16	3.8
6.7	6.9	AK71	D3	1/16	3/4	1-1/4	9/16	3.6
7.0	7.2	AK74	D3	1/16	3/4	1-1/4	9/16	3.9
7.5	7.7	AK79	D3	1/16	3/4	1-1/4	9/16	4.1
8.0	8.2	AK84	D3	1/16	3/4	1-1/4	9/16	4.2
8.5	8.7	AK89	D3	1/16	3/4	1-1/4	9/16	4.6
9.0	9.2	AK94	D3	1/16	3/4	1-1/4	9/16	5.0
9.5	9.7	AK99	D3	1/16	3/4	1-1/4	9/16	5.0
10.0	10.2	AK104	D3	1/16	3/4	1-1/4	9/16	5.1
10.5	10.7	AK109	D3	1/16	3/4	1-1/4	9/16	5.6
11.0	11.2	AK114	D3	1/16	3/4	1-1/4	9/16	6.1
12.0	12.2	AK124	D3	1/16	3/4	1-1/4	9/16	6.6
13.0	13.2	AK134	D3	1/16	3/4	1-1/4	9/16	8.0
14.0	14.2	AK144	D3	1/16	3/4	1-1/4	9/16	8.4
15.0	15.2	AK154	D3	1/16	3/4	1-1/4	9/16	9.4
18.0	18.2	AK184	D3	1/16	3/4	1-1/4	9/16	11.9



Type C2



Type D3



Type E1

### BK QT SHEAVES

DATUM DIA.	O.D. ♦	SINGLE-GROOVE							Wt. (lbs.)
		PRODUCT NO.	TYPE	DIMENSIONS					
A (4L) Belts	B (5L) Belts			E	F	L	M		
2.4	2.8	3.1	BK30	E1	1/2	7/8	1-1/4	7/8	1.8
2.6	3.0	3.3	BK32	E1	1/2	7/8	1-1/4	7/8	2.0
2.8	3.2	3.5	BK34	E1	1/2	7/8	1-1/4	7/8	2.2
3.0	3.4	3.7	BK36	C2	1/16	7/8	1-1/4	7/16	1.6
3.2	3.6	3.9	BK40	C2	1/16	7/8	1-1/4	7/16	2.0
3.5	3.9	4.2	BK45	C2	1/16	7/8	1-1/4	7/16	2.4
3.7	4.1	4.4	BK47	C2	1/16	7/8	1-1/4	7/16	2.8
4.0	4.4	4.7	BK50	C2	1/16	7/8	1-1/4	7/16	2.6
4.2	4.6	4.9	BK52	C2	1/16	7/8	1-1/4	7/16	2.7
4.5	4.9	5.2	BK55	C2	1/16	7/8	1-1/4	7/16	3.2
4.7	5.1	5.4	BK57	D3	1/16	7/8	1-1/4	7/16	3.3
5.0	5.4	5.7	BK60	D3	1/16	7/8	1-1/4	7/16	3.1
5.2	5.6	5.9	BK62	D3	1/16	7/8	1-1/4	7/16	3.2
5.5	5.9	6.2	BK65	D3	1/16	7/8	1-1/4	7/16	3.4
5.7	6.1	6.4	BK67	D3	1/16	7/8	1-1/4	7/16	3.5
6.0	6.4	6.7	BK70	D3	1/8	7/8	1-1/4	1/2	3.4
6.2	6.6	6.9	BK72	D3	1/8	7/8	1-1/4	1/2	3.7
6.5	6.9	7.2	BK75	D3	1/8	7/8	1-1/4	1/2	3.9
6.7	7.1	7.4	BK77	D3	1/8	7/8	1-1/4	1/2	4.4
7.0	7.4	7.7	BK80	D3	1/8	7/8	1-1/4	1/2	4.0
7.5	7.9	8.2	BK85	D3	1/8	7/8	1-1/4	1/2	4.4
8.0	8.4	8.7	BK90	D3	1/8	7/8	1-1/4	1/2	4.9
8.5	8.9	9.2	BK95	D3	1/8	7/8	1-1/4	1/2	5.6
9.0	9.4	9.7	BK100	D3	1/8	7/8	1-1/4	1/2	5.8
9.5	9.9	10.2	BK105	D3	1/8	7/8	1-1/4	1/2	6.1
10.0	10.4	10.7	BK110	D3	1/8	7/8	1-1/4	1/2	6.6
10.5	10.9	11.2	BK115	D3	1/8	7/8	1-1/4	1/2	7.0
11.0	11.4	11.7	BK120	D3	1/8	7/8	1-1/4	1/2	7.5
12.0	12.4	12.7	BK130	D3	1/8	7/8	1-1/4	1/2	7.5
13.0	13.4	13.7	BK140	D3	1/8	7/8	1-1/4	1/2	9.1
14.0	14.4	14.7	BK150	D3	1/8	7/8	1-1/4	1/2	9.2
15.0	15.4	15.7	BK160	D3	1/8	7/8	1-1/4	1/2	10.4
18.0	18.4	18.7	BK190	D3	1/8	7/8	1-1/4	1/2	13.4

Weights for all Sure-Grip bushed items are approximate and include the bushing.

♦ P.D. same as O.D.

### QT BUSHINGS

Product No.	Bore	Key Seat	Wt. (")	Product No.	Bore (mm)	Key ■	Wt. (")
QTMPB	7/16	No KS	.6	QT14MM	14	5 x 5	.6
QT12	1/2	1/8 x 1/16	.6	QT15MM	15	5 x 5	.6
QT9/16	9/16	1/8 x 1/16	.6	QT16MM	16	5 x 5	.6
QT58	5/8	3/16 x 3/32	.6	QT18MM	18	6 x 6	.6
QT11/16	11/16	3/16 x 3/32	.6	QT19MM	19	6 x 6	.6
QT34	3/4	3/16 x 3/32	.6	QT20MM	20	6 x 6	.6
QT13/16	13/16	3/16 x 3/32	.6	QT22MM	22	6 x 6	.6
QT78	7/8	3/16 x 3/32	.6	QT24MM	24	8 x 7	.6
QT15/16	15/16	1/4 x 1/8	.6	QT25MM	25	8 x 7	.6
QT1	1	1/4 x 1/8	.6	QT28MM	28	8 x 7	.6
QT1116	1-1/16	1/4 x 1/8	.6	QT30MM	30	8 x 7	.6
QT118	1-1/8	1/4 x 1/8	.6	QT32MM	32	10 x 6	.6
QT1316	1-3/16	1/4 x 1/8	.6	QT35MM	35	10 x 6	.6
QT114	1-1/4	1/4 x 1/8	.6	QT38MM	38	10 x 6	.6
QT1516	1-5/16	5/16 x 1/16	.6				
QT138	1-3/8	5/16 x 1/16	.6				
QT1716	1-7/16	3/8 x 1/16	.6				
QT112	1-1/2	3/8 x 1/16	.6				

\* Approximate weight in lbs.

■ The metric system does not refer to keyseat or keyway dimensions as does the English system; instead, dimensions are given for the key itself, which is rectangular in shape and not square as in the English system. This meets ISO standards.

Weights for all Sure-Grip bushed items are approximate and include the bushing.

♦ P.D. for A belts = Datum Dia. + .38

P.D. for B belts = Datum Dia. + .36

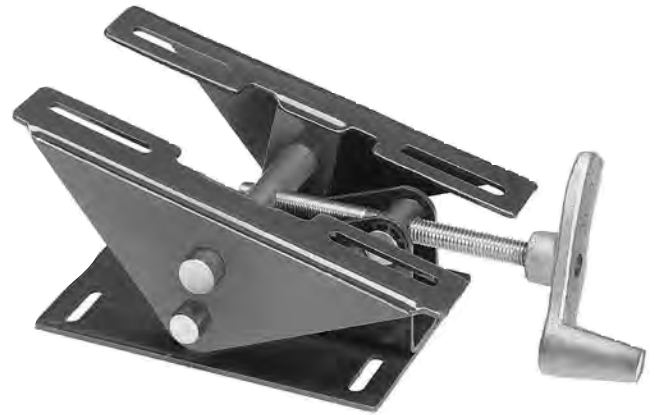
# Model 'A' Tilting

## Motor Base

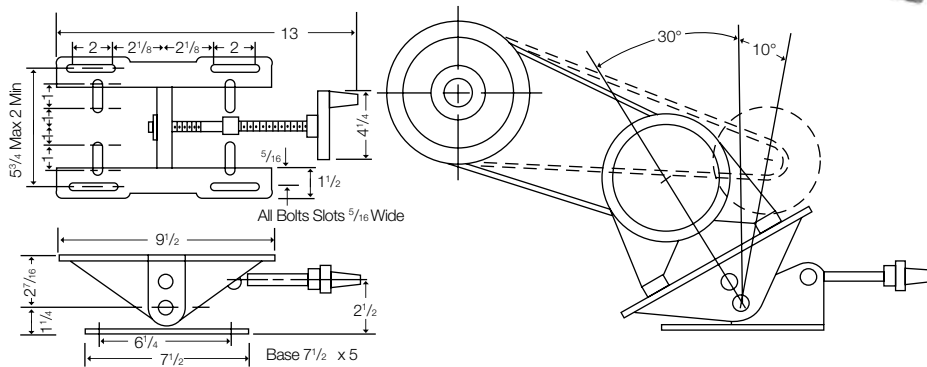
The Fractional Horsepower Tilting Motor Base is designed to accommodate up to and including a light duty 3/4 H.P. motor. The Tilting Motor Base is ideal for variable speed drives where the amount of space necessary for adjustment must be held to a minimum.

- Affords ample adjustment in the minimum space.
- Motor mounts are reversed for smaller motor frames.
- Can be used as a belt tightener or with step cone pulleys.

Weight ..... 7 lbs.



**Product No.:**  
**ABASE**



## FIXED CENTER DRIVE DUAL-GROOVE VAR-A-CONE®

Fractional thru 1 HP

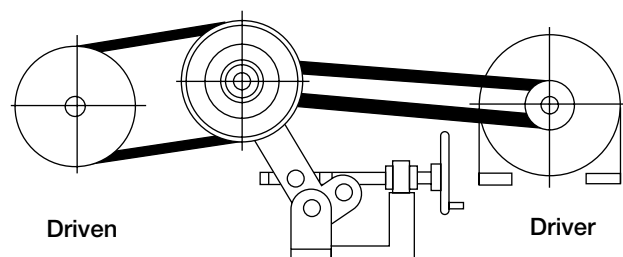
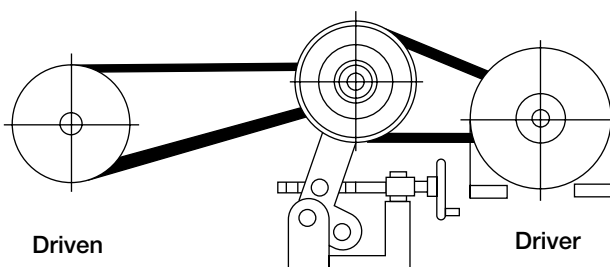


### Selection

1. Determine desired maximum and minimum driven speed.
2. Select suitable DUAL-GROOVE pulley model dependent on required horsepower and speed ratio.
3. Divide maximum desired speed by the square root of the DUAL-GROOVE pulley speed ratio to obtain mean driven speed.

$$\text{Mean driven speed} = \frac{\text{Max. driven speed}}{\sqrt{\text{Speed ratio}}}$$

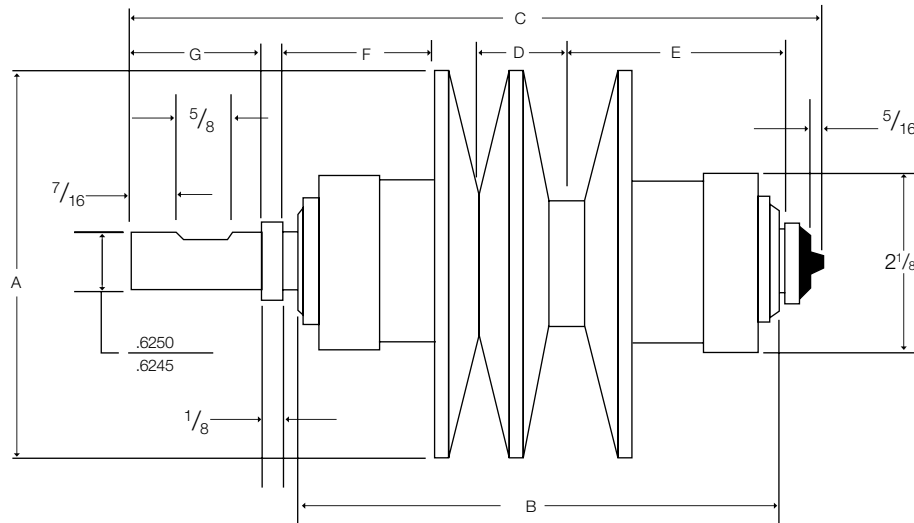
4. Determine required driver and driven pulley diameters to obtain the mean driven speed.



# Fixed Center Drive Dual-Groove Var-A-Cone®

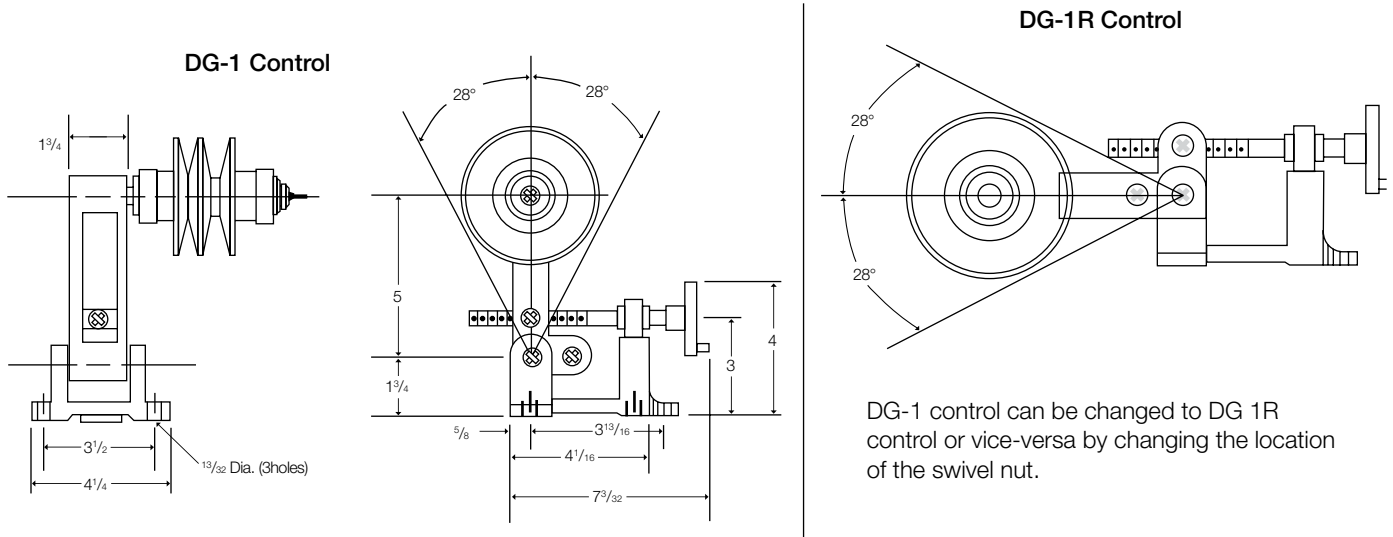
## Dimensions

### Pulley Specifications



Product No.	Speed Ratio	Belt Size	Driver* Pulley P.D.	Horsepower			Dimensions in Inches							Pitch Dia.	
				Low Speed	Mean Speed	High Speed	A	B	C	D	E	F	G	Max.	Min.
VC4040	6:1	4L	2.5	.14	.34	.51	4	4-7/8	7-1/2	15/16	2-1/8	2-5/16	1-1/2	3.75	1.53
VC4040	4:1	5L	3.0	.20	.40	.60	4	4-7/8	7-1/2	1-1/16	2-1/16	2-1/4	1-1/2	3.75	1.88
VC5151	7.8:1	4L	3.2	.18	.50	.75	5	6-1/4	9-1/8	1-1/8	2-11/16	2-15/16	1-3/4	4.70	1.58
VC5151	5:1	5L	4.2	.30	.67	1.01	5	6-1/4	9-1/8	1-3/32	2-23/32	2-15/16	1-3/4	4.70	2.10

\* Recommended Minimum



DG-1 control can be changed to DG 1R control or vice-versa by changing the location of the swivel nut.

## Fixed Center Drives

### Fractional Thru 2 HP

- Maintenance Free
- For use with 'A' (4L) and 'B' (5L) Belts



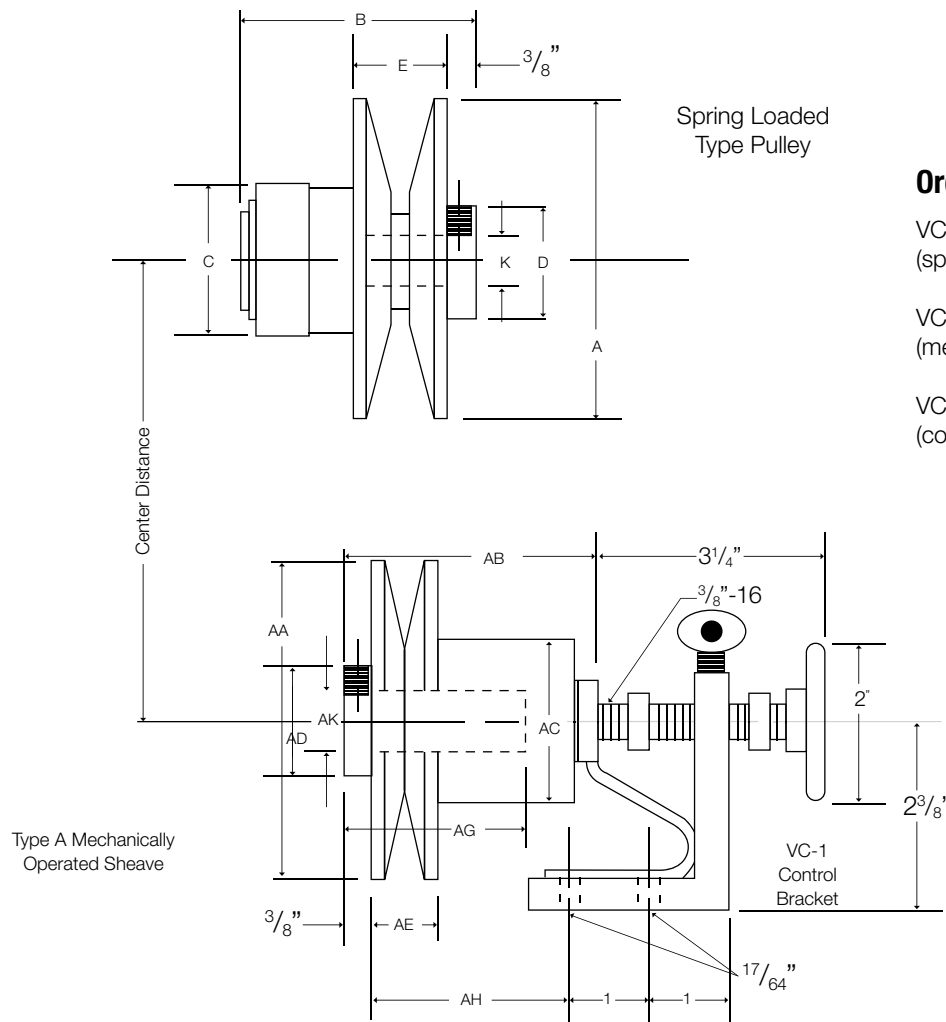
Drive should be installed as shown in the illustration above.

**Selection chart for Type A fixed center Var-A-Cone drives**

HP @ 1750	HP @ 1160	DRIVER	DRIVEN	1750 RPM		1160 RPM		CENTER DISTANCE (IN.)							
				MAX	MIN	MAX	MIN	BELT NUMBER							
								AP40	AP46	AP49	AP53	AP57	AP65	AP75	AP85
1/3	1/4	VC57A	VC30	4397	1254	2914	831	16.1	19.1	20.6	22.6	24.6	28.6	33.6	38.6
		VC51A	VC30	4083	1254	2706	831	16.1	19.1	20.6	22.6	24.6	28.6	33.6	38.6
		VC40A	VC30	3590	1019	2379	675	16.5	19.5	21.0	23.0	25.0	29.0	34.0	39.0
		VC30A	VC30	3006	1019	1993	675	16.5	19.5	21.0	23.0	25.0	29.0	34.0	39.0
		VC30A	VC40	2229	853	1477	565	15.9	18.9	20.4	22.5	24.5	28.5	33.5	38.5
		VC30A	VC51	1826	750	1210	497	15.5	18.5	20.0	22.0	24.0	28.0	33.0	38.0
		VC30A	VC57	1859	696	1232	461	15.2	18.2	19.7	21.7	23.7	27.7	32.7	37.7
1/2	1/3	VC57A	VC40	4397	1050	2915	696	15.6	18.6	20.1	22.1	24.1	28.1	33.1	38.1
		VC51A	VC40	4083	1050	2706	696	15.6	18.6	20.1	22.1	24.1	28.1	33.1	38.1
		VC40A	VC40	3590	853	2326	565	15.9	18.9	20.4	22.5	24.5	28.5	33.5	38.5
		VC40A	VC51	2756	750	1826	497	15.5	18.5	20.0	22.0	24.0	28.0	33.0	38.0
		VC40A	VC57	2405	696	1594	461	15.2	18.2	19.7	21.7	23.7	27.7	32.7	37.7
HP @ 1750	HP @ 1160	DRIVER	DRIVEN	1750 RPM		1160 RPM		CENTER DISTANCE (IN.)							
				MAX	MIN	MAX	MIN	BELT NUMBER							
								BP40	BP46	BP49	BP53	BP57	BP65	BP75	BP85
1	1/2	VC57A	VC51	3411	909	2261	603	14.8	17.8	19.3	21.3	23.3	27.3	32.3	37.3
		VC51A	VC51	3025	1012	2005	671	15.4	18.4	19.9	21.9	23.9	27.9	32.9	37.9
		VC51A	VC57	2445	897	1620	595	14.0	17.0	18.5	20.5	22.5	26.5	31.5	36.5
2	1	VC57A	VC57	3797	807	2517	535	14.2	17.2	18.7	20.7	22.8	26.8	31.8	36.8



## Fixed Center Drives



### Ordering Examples:

VC30 x 5/8  
(spring loaded sheave)

VC40A x 5/8  
(mechanically operated sheave)

VC-1  
(control bracket)

MODEL NO.	DIMENSIONS IN INCHES					
	A	B	C	D	E*	K
VC30	3.38	2.77	2.13	1.38	1.09	1/2, 5/8, 3/4
VC40	4.00	2.88	2.13	1.38	1.25	1/2, 5/8, 3/4
VC51	5.25	3.69	2.95	1.63	1.46	5/8, 3/4, 7/8, 1
VC57	6.00	3.94	2.95	1.63	1.59	5/8, 3/4, 7/8, 1
	AA	AB*	AC	AD	AE*	AK
VC30A	3.38	4.23	2.00	1.38	1.20	1/2, 5/8, 3/4
VC40A	4.00	4.35	2.00	1.38	1.32	1/2, 5/8, 3/4
VC51A	5.25	5.31	2.75	1.63	1.46	5/8, 3/4, 7/8, 1
VC57A	6.00	5.45	2.75	1.63	1.59	5/8, 3/4, 7/8, 1

BORE	KEYSEAT
1/2	NONE
5/8 - 7/8	3/16 x 3/32
1"	1/4 x 1/8

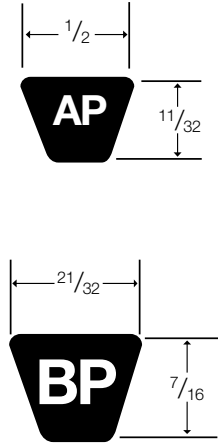
Furnished with one setscrew.

\* Maximum dimension.

## Premium V-Belts

### AP Belts

Belt Number	Datum Length	Weight	Belt Number	Datum Length	Weight	Belt Number	Datum Length	Weight
AP20	21.3	.2	AP50	51.3	.3	AP81	82.3	.6
AP21	22.3	.2	AP51	52.3	.3	AP82	83.3	.6
AP22	23.3	.2	AP52	53.3	.3	AP83	84.3	.6
AP23	24.3	.2	AP53	54.3	.3	AP84	85.3	.6
AP24	25.3	.2	AP54	55.3	.4	AP85	86.3	.6
AP25	26.3	.2	AP55	56.3	.4	AP86	87.3	.6
AP26	27.3	.2	AP56	57.3	.4	AP87	88.3	.6
AP27	28.3	.2	AP57	58.3	.4	AP88	89.3	.6
AP28	29.3	.2	AP58	59.3	.4	AP89	90.3	.6
AP29	30.3	.2	AP59	60.3	.4	AP90	91.3	.6
AP30	31.3	.2	AP60	61.3	.4	AP91	92.3	.6
AP31	32.3	.2	AP61	62.3	.4	AP92	93.3	.6
AP32	33.3	.2	AP62	63.3	.4	AP93	94.3	.6
AP33	34.3	.2	AP63	64.3	.4	AP94	95.3	.7
AP34	35.3	.2	AP64	65.3	.4	AP95	96.3	.7
AP35	36.3	.2	AP65	66.3	.4	AP96	97.3	.7
AP36	37.3	.2	AP66	67.3	.5	AP97	98.3	.7
AP37	38.3	.2	AP67	68.3	.5	AP98	99.3	.7
AP38	39.3	.2	AP68	69.3	.5	AP100	101.3	.7
AP39	40.3	.3	AP69	70.3	.5	AP103	104.3	.7
AP40	41.3	.3	AP70	71.3	.5	AP105	106.3	.7
AP41	42.3	.3	AP71	72.3	.5	AP110	111.3	.7
AP42	43.3	.3	AP72	73.3	.5	AP112	113.3	.8
AP43	44.3	.3	AP73	74.3	.5	AP116	117.3	.8
AP44	45.3	.3	AP74	75.3	.5	AP120	121.3	.8
AP45	46.3	.3	AP75	76.3	.5	AP128	129.3	.9
AP46	47.3	.3	AP76	77.3	.5	AP136	137.3	1.0
AP47	48.3	.3	AP77	78.3	.5	AP144	145.3	1.0
AP48	49.3	.3	AP78	79.3	.6	AP158	159.3	1.1
AP49	50.3	.3	AP79	80.3	.6	AP173	174.3	1.2
			AP80	81.3	.6	AP180	181.3	1.3



### BP Belts

Belt Number	Datum Length	Weight	Belt Number	Datum Length	Weight	Belt Number	Datum Length	Weight	Belt Number	Datum Length	Weight
BP26	27.8	.3	BP55	56.8	.6	BP82	83.8	.9	BP123	124.8	1.3
BP28	29.8	.3	BP56	57.8	.6	BP83	84.8	.9	BP124	125.8	1.3
BP29	30.8	.3	BP57	58.8	.6	BP84	85.8	.9	BP126	127.8	1.4
BP30	31.8	.3	BP58	59.8	.6	BP85	86.8	.9	BP128	129.8	1.4
BP32	33.8	.3	BP59	60.8	.6	BP86	87.8	.9	BP130	131.8	1.4
BP33	34.8	.3	BP60	61.8	.6	BP87	88.8	.9	BP133	134.8	1.4
BP34	35.8	.4	BP61	62.8	.6	BP88	89.8	1.0	BP136	137.8	1.5
BP35	36.8	.4	BP62	63.8	.6	BP89	90.8	1.0	BP140	141.8	1.5
BP36	37.8	.4	BP63	64.8	.7	BP90	91.8	1.0	BP144	145.8	1.6
BP37	38.8	.4	BP64	65.8	.7	BP91	92.8	1.0	BP148	149.8	1.6
BP38	39.8	.4	BP65	66.8	.7	BP92	93.8	1.0	BP150	151.8	1.6
BP39	40.8	.4	BP66	67.8	.7	BP93	93.8	1.0	BP154	155.8	1.7
BP40	41.8	.4	BP67	68.8	.7	BP94	94.8	1.0	BP158	159.8	1.7
BP41	42.8	.4	BP68	69.8	.7	BP95	96.8	1.0	BP162	163.8	1.8
BP42	43.8	.4	BP69	70.8	.7	BP96	97.8	1.0	BP173	174.8	1.9
BP43	44.8	.4	BP70	71.8	.7	BP97	98.8	1.1	BP180	181.8	2.0
BP44	45.8	.5	BP71	72.8	.7	BP98	99.8	1.1	BP191	192.8	2.1
BP45	46.8	.5	BP72	73.8	.8	BP99	100.8	1.1	BP195	196.8	2.1
BP46	47.8	.5	BP73	74.8	.8	BP100	101.8	1.1	BP210	211.8	2.3
BP47	48.8	.5	BP74	75.8	.8	BP103	104.8	1.1	BP225	225.3	2.4
BP48	49.8	.5	BP75	76.8	.8	BP105	106.8	1.1	BP240	240.3	2.6
BP49	50.8	.5	BP76	77.8	.8	BP106	107.8	1.1	BP255	255.3	2.8
BP50	51.8	.5	BP77	78.8	.8	BP108	109.8	1.2	BP270	270.3	2.9
BP51	52.8	.5	BP78	79.8	.9	BP112	113.8	1.2	BP285	285.3	3.1
BP52	53.8	.5	BP79	80.8	.9	BP116	117.8	1.3	BP300	300.3	3.2
BP53	54.8	.6	BP80	81.8	.9	BP118	119.8	1.3	BP315	315.3	3.4
BP54	55.8	.6	BP81	82.8	.9	BP120	121.8	1.3	BP360	360.3	3.9

AP & BP Belts — Outside Length Equals Datum Length + 1".

## Interchange

Current Design		Old Designs				Competitors					
Wood's All-Pro		Wood's Pro		Gerbing Quadra-key		Speed Selector		Lovejoy		Hi-Lo	
Model	Max Pitch	Model	Max Pitch	Model	Max Pitch	Model	Max Pitch	Model	Max Pitch	Model	Max Pitch
AP160M	6.25					8816	6.30	2-010	5.80		
AP160M (1922V Belt)	6.30	160N	6.30					21401	5.80		
AP200N	7.87	200N	7.87			7707	6.90				
AP225P	8.80			2303	8.80	8827	7.53	2-030	8.00		
AP260T	10.20			2305	8.80			21903	8.03		
AP260U	10.20	240T	9.45	2905	10.25	7709	8.80			1590	8.62
AP255W	10.00			2907	10.25	8859	9.25				
AP255S	10.00			2910	10.25			2-050	9.70	1711	10.65
AP321W	12.75							22905	9.70		
AP322W	12.75	250W	10.00			7710	10.20	2-075	9.70		
AP323W	12.75	250S	10.00			8810	10.20	22907	9.70		
						7711-2.75	10.10				
				4410	12.75	7711-2	10.10	2-1532	10.37	2011	10.65
				4411	12.75	8811-2	10.10	2-3215	10.35		
								23220	10.35		
								2-2032	10.37		
				4415	12.75	8813	12.60	24407	12.10		
				4416	12.75			2-100	12.10		
				4420	12.75			24410	12.10		
				4421	12.75						
						8823	12.60	2-150	12.10		
								2-4415	12.10		
								24420	12.10		
								2-200	12.10		
				4425	12.75						
				4426	12.75	8833	12.60	2-250	12.10	2513	12.60
				4430	12.75			2-4425	12.10		
				4431	12.75			24430	12.10		
								2-300	12.10		
								24430HD	12.10		
								24433HD	12.10		

## Interchange

WOOD'S		EATON (WORTHINGTON)		LOVEJOY		RELIANCE (REEVES)		RELIANCE (DODGE)		SPEED SELECTOR	
Model No.	Max. Pitch	Model No.	Max. Pitch	Model No.	Max. Pitch	Model No.	Max. Pitch	Model No.	Max. Pitch	Model No.	Max. Pitch
MS-58	5.75	-	-	1-007 11407 2600	5.80 5.80 5.80	5675	5.11	14SL	5.63	816	6.30
MS-72	7.25	219S	6.75	1-015 11901	8.00 8.03	7202 97	6.72 7.25	19SL	7.38	707 827	6.90 7.53
MS-77	7.75	20 523S	7.75 9.00	-	-	98	7.75	23SL	9.00	709 859	8.75 9.25
MS-97	9.75	1029S	9.95	1-050 12905 1-075 12907	9.70 9.70 9.70 9.70	9205	9.00	-	-	-	-
MS-127 & MS-127W-HD	12.75	2044S 150	12.60 11.75	1-150 1-4415 3215 1-200 14420 3220 1-250 1-4425 14430 3225	12.10 12.10 11.50 12.10 12.10 11.50 12.10 12.10 12.10 11.50	1320 912-15 1330	12.46 11.75 12.46	44SLN 44SLU	12.36 12.36	711 821 833	10.90 11.60 12.60
MS-975-S	9.40	-	-	1-2032 13220	10.37 10.35	-	-	-	-	-	-
MS-100W	10.00	100	11.75	1-100 14410 3210	12.10 12.10 11.50	1110 912 77	10.77 11.75 13.75	44SLK	12.36	-	-

## Interchange

WOOD'S			LOVEJOY			MAUREY			HI-LO		
Model No.	Belt	Max. Pitch	Model No.	Belt	Max. Pitch	Model No.	Belt	Max. Pitch	Model No.	Belt	Max. Pitch
VC30	A	3.35	3403	A	3.13	6325	A or B	3.00	-	-	-
VC40	A	4.00	4005	A	3.75	6400	A or B	3.90	-	-	-
			3405	A	3.13						
			5005A	A	4.75						
VC51	B	5.10	5010	B	4.65	6500	A or B	4.84	30TBR 40TBR	A A	3.13 4.00
			5010A	A	4.75						
			3407	A	3.13						
			4007	A	3.75						
VC57	B	5.75	6010 6020	B	5.65	6600	B	5.84	50TBR 57-20TBR	B B	3.06 3.06
				B	5.65	66150	B	5.84			
				B	5.65	66200	B	5.84			

## ROTO-CONE SHEAVE INTERCHANGE

WOOD'S		LEWELLEN		LOVEJOY	
Model No.	Max. Pitch	Model No.	Max. Pitch	Model No.	Max. Pitch
RC55	5.25	-	-	245	5.80
RC60	5.75	-	-	-	-
RC75	7.25	408	7.50	301	7.28
RC80	7.75	409	8.75	3030	8.12
RC105	10.38	411	10.75	401	10.60
				402	10.40
				403	10.60
				303	9.60
RC100	9.75			3050	9.60
RC1315	12.75	412 412/15	11.68 11.68	3075	12.50
				3100	12.50
				3150	12.50
RC1330	12.75	-	-	-	-

# VPS Sheave

## Features

Wood's VPS stationary control adjustable speed sheaves have patented features which eliminate the need for lubrication and assure quick, easy speed adjustment. Exclusive, positive locking collar construction completely eliminates freezing and sticking caused by fretting corrosion.

These drives provide infinite, accurate speed adjustment within their pitch diameter ranges and are accurately balanced for smooth operation and long life.



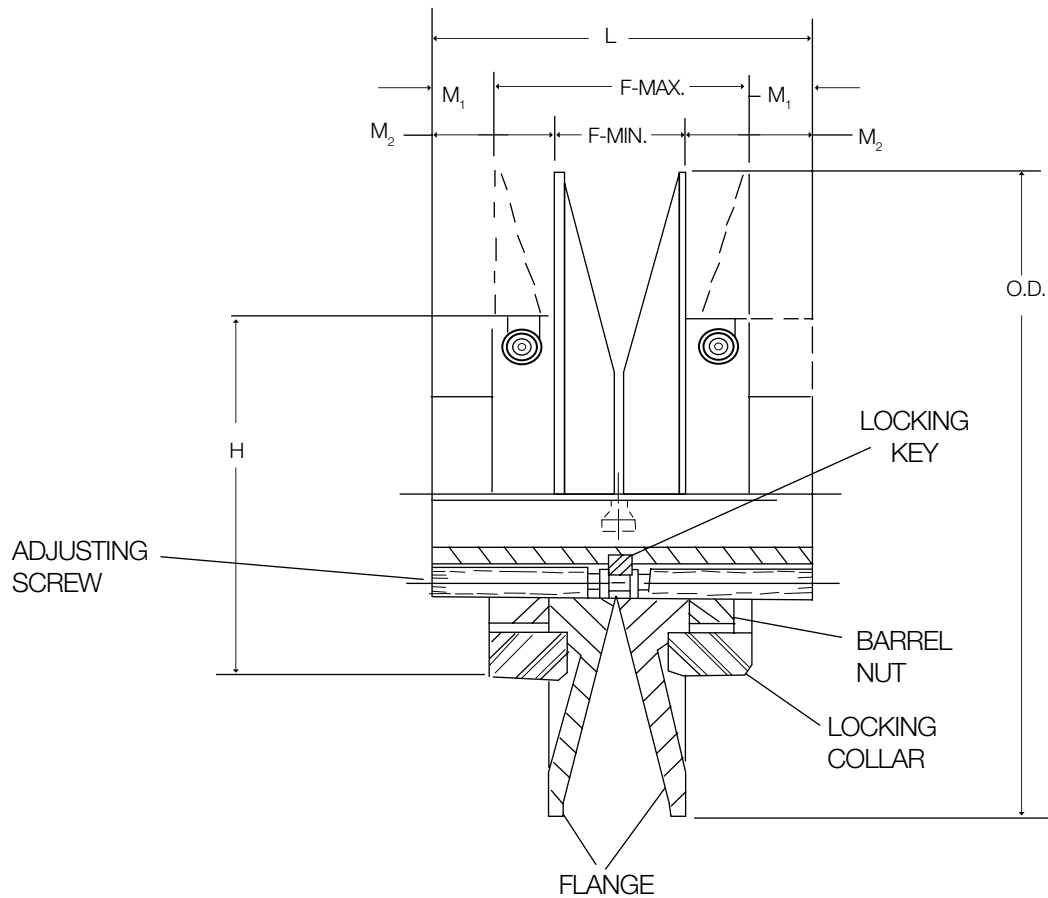
All VPS sheaves can be easily adjusted by loosening the clamping screws and turning a single adjusting screw.

The table below lists the sizes of VPS sheaves available.

### VPS SHEAVES AVAILABLE

Product No.	HP @ 1160	HP @ 1750	Drive Chart	Pitch Diameter		Pitch Ratio	Belt Size	Stock Bores	Approx. Wt. (lbs.)
				Min.	Max.				
VPS7Q	5	7-1/2	NA	3.5	7.0	2:1	1930V	1-1/8	12.5
VPS9R	7-1/2	10	D1-46	4.25	9.0	2.1:1	2530V	1-3/8, 1-5/8	23.5
VPS10R	10	15	D1-46	5.25	10.0	1.9:1	2530V	1-1/4, 1-3/8, 1-5/8	27.5
VPS10W	15	20	D1-47	5.0	10.0	2:1	4430V	1-1/4, 1-3/8, 1-1/2, 1-5/8, 1-7/8	30.0
VPS129W	20	25	D1-48	4.3	12.9	3:1	4430V	1-5/8, 1-7/8	39.0
VPS13Y	30	40	D1-48	6.38	12.75	2:1	4836V	1-7/8, 2-1/8	51.0

Product No. Example: VPS9R sheave with 1-3/8 bore = VPS9R138 (Product No.)



Product No.	O.D.	Max. Bore	F Min.	F Max.	M <sub>1</sub>	M <sub>2</sub>	L	H
VPS7Q	7.25	1-3/8	1-7/16	2-3/8	13/16	1-9/32	4	4-1/8
VPS9R	9.25	1-7/8	1-13/16	3-3/32	57/64	1-17/32	4-7/8	5
VPS10R	10.25	1-7/8	1-13/16	3-3/32	57/64	1-17/32	4-7/8	5
VPS10W	10.25	1-7/8	3	4-11/32	53/64	1-1/2	6	5
VPS129W	13.00	1-7/8	2-31/32	5-1/4	7/8	2-1/64	7	5
VPS13Y	13.00	2-3/8	3.34	5.40	.80	1.83	7	5-1/2



## Selection Charts

### VPS-9-R DRIVE SELECTION Using 2530V Belt

DRIVEN SPEED		Product Number	Companion Sheave	CENTER DISTANCE IN INCHES AT MAXIMUM AND MINIMUM SPEEDS												
1750 RPM Motor	1160 RPM Motor			VARIABLE SPEED V-BELT NUMBER												
				2530V 531	2530V 550	2530V 595	2530V 630	2530V 670	2530V 690	2530V 730	2530V 750	2530V 790	2530V 890	2530V 990	2530V 1090	2530V 1190
1969	1305	801R	8.0 x 1R-SF	11.2	14.2	16.5	18.3	20.3	21.2	23.3	24.3	26.2	31.2	36.2	41.2	45.0
930	616			14.8	17.8	20.2	21.9	23.9	24.8	26.9	27.9	29.9	34.9	39.9	44.9	48.7
1575	1044	1001R	10.0 x 1R-SF	-	12.6	15.0	16.7	18.7	19.6	21.7	22.7	24.6	29.6	34.6	39.6	43.5
744	493			-	16.1	18.5	20.2	22.3	23.2	25.3	26.3	28.2	33.2	38.2	43.2	47.1
1313	870	1201R	12.0 x 1R-SF	-	-	13.3	15.1	17.1	18.0	20.1	21.1	23.0	28.0	33.0	38.0	41.9
620	411			-	-	16.7	18.5	20.5	21.4	23.6	24.6	26.5	31.5	36.6	41.6	45.5
1212	803	1301R	13.0 x 1R-SF	-	-	12.4	14.2	16.2	17.1	19.3	20.3	22.2	27.2	32.2	37.2	41.1
572	379			-	-	15.7	17.5	19.6	20.5	22.7	23.7	25.6	30.7	35.7	40.8	44.6
1125	746	1401R	14.0 x 1R-SF	-	-	-	13.3	15.4	16.3	18.4	19.4	21.3	26.4	31.4	36.4	40.2
531	352			-	-	-	16.6	18.7	19.6	21.8	22.8	24.7	29.8	34.9	39.9	43.8
984	653	1601R	16.0 x 1R-SF	-	-	-	-	13.5	14.5	16.6	17.7	19.6	24.7	29.7	34.7	38.6
465	308			-	-	-	-	16.7	17.7	19.9	20.9	22.9	28.0	33.1	38.2	42.1

### VPS-10-R DRIVE SELECTION Using 2530V Belt

DRIVEN SPEED		Product Number	Companion Sheave	CENTER DISTANCE IN INCHES AT MAXIMUM AND MINIMUM SPEEDS												
1750 RPM Motor	1160 RPM Motor			VARIABLE SPEED V-BELT NUMBER												
				2530V 531	2530V 550	2530V 595	2530V 630	2530V 670	2530V 690	2530V 730	2530V 750	2530V 790	2530V 890	2530V 990	2530V 1090	2530V 1190
2188	1450	801R	8.0 x 1R-SF	10.4	13.4	15.7	17.5	19.5	20.4	22.5	23.5	25.4	30.4	35.4	40.4	44.2
1148	761			14.1	17.1	19.4	21.2	23.2	24.1	26.2	27.2	29.1	34.1	39.1	44.1	48.0
1750	1160	1001R	10.0 x 1R-SF	-	11.8	14.2	15.9	17.9	18.8	20.9	21.9	23.8	28.8	33.8	38.8	42.7
919	609			-	15.4	17.7	19.5	21.5	22.4	24.5	25.5	27.5	32.5	37.5	42.5	46.3
1458	967	1201R	12.0 x 1R-SF	-	-	12.6	14.3	16.3	17.2	19.3	20.3	22.2	27.2	32.2	37.2	41.1
766	508			-	-	16.0	17.8	19.8	20.7	22.8	23.8	25.8	30.8	35.8	40.9	44.7
1346	892	1301R	13.0 x 1R-SF	-	-	-	13.5	15.5	16.4	18.5	19.5	21.4	26.4	31.4	36.4	40.3
707	468			-	-	-	16.9	18.9	19.8	22.0	23.0	24.9	30.0	35.0	40.0	43.9
1250	828	1401R	14.0x 1R-SF	-	-	-	-	14.6	15.6	17.7	18.7	20.6	25.6	30.6	35.6	39.5
656	435			-	-	-	-	18.0	18.9	21.1	22.1	24.0	29.1	34.1	39.2	43.0
1094	725	1601R	16.0 x 1R-SF	-	-	-	-	-	-	15.9	17.0	18.9	23.9	29.0	34.0	37.8
574	381			-	-	-	-	-	-	19.2	20.2	22.2	27.3	32.4	37.5	41.3

Refer to Table on page D1-53 for additional belts.

### VPS-10-W DRIVE SELECTION Using 4430V Belt

DRIVEN SPEED		Product Number	Companion Sheave	CENTER DISTANCE IN INCHES AT MAXIMUM AND MINIMUM SPEEDS													
1750 RPM Motor	1160 RPM Motor			VARIABLE SPEED V-BELT NUMBER													
				4430V 555	4430V 578	4430V 610	4430V 630	4430V 660	4430V 690	4430V 730	4430V 790	4430V 850	4430V 910	4430V 970	4430V 1090	4430V 1320	4430V 1610
2188	1450	<b>801W</b>	8.0 x 1W-SF	13.5	14.7	16.2	17.2	18.7	20.2	22.2	25.2	28.2	31.2	34.2	40.2	51.7	65.5
1094	725			17.4	18.6	20.1	21.1	22.6	24.1	26.1	29.1	32.1	35.1	38.1	44.1	55.6	69.5
2059	1365	<b>851W</b>	8.5 x 1W-SF	13.1	14.3	15.8	16.8	18.3	19.8	21.8	24.8	27.8	30.8	33.8	39.8	51.3	65.2
1029	682			16.9	18.2	19.7	20.7	22.2	23.7	25.7	28.7	31.7	34.7	37.7	43.7	55.2	69.1
1944	1289	<b>901W</b>	9.0 x 1W-SF	12.7	13.9	15.4	16.4	17.9	19.4	21.4	24.4	27.4	30.4	33.5	39.5	51.0	65.0
972	644			16.5	17.8	19.3	20.3	21.8	23.3	25.3	28.3	31.3	34.3	37.3	43.3	54.8	68.7
1842	1221	<b>951W</b>	9.5 x 1W-SF	12.3	13.6	15.1	16.1	17.6	19.1	21.0	24.0	27.0	30.1	33.1	39.1	50.6	64.5
921	611			16.1	17.3	18.9	19.9	21.4	22.9	24.9	27.9	30.9	33.9	36.9	42.9	54.4	68.2
1750	1160	<b>1001W</b>	10.0 x 1W-SF	11.9	13.2	14.7	15.7	17.2	18.7	20.7	23.7	26.7	29.7	32.7	38.7	50.2	64.0
875	580			15.6	16.9	18.4	19.4	20.9	22.5	24.5	27.5	30.5	33.5	36.5	42.5	54.0	67.8
1591	1054	<b>1101W</b>	11.0 x 1W-SF	-	12.4	13.9	14.9	16.4	17.9	19.9	22.9	25.9	28.9	31.9	37.9	49.4	63.2
795	527			-	16.0	17.6	18.6	20.1	21.6	23.6	26.6	29.7	32.7	35.7	41.7	53.2	66.9
1458	967	<b>1201W</b>	12.0 x 1W-SF	-	-	13.1	14.1	15.6	17.1	19.1	22.1	25.1	28.1	31.1	37.1	48.6	62.4
729	483			-	-	16.7	17.7	19.2	20.7	22.7	25.8	28.8	31.8	34.8	40.9	52.4	66.2
1346	892	<b>1301W</b>	13.0 x 1W-SF	-	-	-	13.2	14.7	16.2	18.2	21.2	24.3	27.3	30.3	36.3	47.8	61.6
673	446			-	-	-	16.8	18.3	19.8	21.9	24.9	28.0	31.0	34.0	40.0	51.6	65.4
1250	828	<b>1401W</b>	14.0 x 1W-SF	-	-	-	-	13.9	15.4	17.4	20.4	23.4	26.5	29.5	35.5	47.0	60.8
625	414			-	-	-	-	17.3	18.9	21.0	24.0	27.1	30.1	33.2	39.2	50.8	64.6
1167	773	<b>1501W</b>	15.0 x 1W-SF	-	-	-	-	-	14.5	16.5	19.6	22.6	25.6	28.6	34.7	46.2	60.0
583	387			-	-	-	-	-	18.0	20.0	23.1	26.2	29.2	32.3	38.3	49.9	63.8
1094	725	<b>1601W</b>	16.0 x 1W-SF	-	-	-	-	-	-	15.7	18.7	21.7	24.8	27.8	33.8	45.4	59.2
547	363			-	-	-	-	-	-	19.1	22.2	25.3	28.3	31.4	37.5	49.1	63.0
972	644	<b>1801W</b>	18.0 x 1W-SF	-	-	-	-	-	-	-	16.9	20.0	23.0	26.1	32.1	43.7	57.7
486	322			-	-	-	-	-	-	-	-	19.2	24.4	26.5	29.6	35.7	47.4
875	580	<b>2001W</b>	20.0 x 1W-SF	-	-	-	-	-	-	-	-	18.1	21.2	24.3	30.4	42.0	55.7
438	290			-	-	-	-	-	-	-	-	-	21.4	24.6	27.7	33.9	45.6
795	527	<b>2201W</b>	22.0 x 1W-SF	-	-	-	-	-	-	-	-	17.2	19.3	22.4	28.6	40.3	53.6
398	264			-	-	-	-	-	-	-	-	-	19.3	22.6	25.8	32.0	43.9
729	483	<b>2401W</b>	24.0 x 1W-SF	-	-	-	-	-	-	-	-	-	-	20.5	26.8	38.5	52.5
365	242			-	-	-	-	-	-	-	-	-	-	-	23.7	30.1	42.0

Refer to Table on page D1-53 for additional belts.

## Selection Charts

### VPS-129-W DRIVE SELECTION Using 4430V Belt

DRIVEN SPEED		Product Number	Companion Sheave	CENTER DISTANCE IN INCHES AT MAXIMUM AND MINIMUM SPEEDS															
1750 RPM Motor	1160 RPM Motor			VARIABLE SPEED V-BELT NUMBER															
				4430V 478	4430V 610	4430V 630	4430V 660	4430V 670	4430V 690	4430V 700	4430V 730	4430V 740	4430V 790	4430V 850	4430V 910	4430V 970	4430V 1090	4430V 1320	4430V 1610
2822	1871	<b>801W</b>	8.0 x 1W-SF	13.1	14.1	15.0	16.6	17.1	18.1	18.7	20.2	20.6	23.2	26.2	29.2	32.3	38.4	50.0	63.5
942	624			19.4	20.9	21.9	23.5	23.9	24.9	25.4	26.9	27.5	30.0	33.0	36.0	39.0	45.0	56.5	70.0
2652	1759	<b>851W</b>	8.5 x 1W-SF	12.1	13.8	14.6	16.1	16.8	17.8	18.3	19.8	20.4	22.8	25.8	28.8	31.9	37.9	49.5	63.0
884	586			18.8	20.4	21.4	22.8	23.4	24.4	24.9	26.4	26.9	29.5	32.5	35.5	38.6	44.6	56.0	69.6
2500	1658	<b>901W</b>	9.0 x 1W-SF	11.6	13.5	14.3	15.8	16.4	17.4	17.8	19.3	19.9	22.4	25.4	28.4	31.5	37.5	49.0	62.5
838	555			18.5	19.9	21.0	22.5	23.0	24.1	24.5	26.0	26.5	29.0	32.0	35.0	38.1	44.1	55.6	69.1
2364	1568	<b>951W</b>	9.5 x 1W-SF	-	13.0	14.0	15.5	16.0	17.0	17.4	18.9	19.6	21.9	25.0	28.0	31.0	37.0	48.5	62.0
792	525			-	19.5	20.6	22.1	22.6	23.6	24.1	25.6	26.1	28.7	31.7	34.7	37.7	43.7	55.2	68.7
2243	1488	<b>1001W</b>	10.0 x 1W-SF	-	12.5	13.5	15.0	15.5	16.5	17.0	18.6	19.0	21.6	24.6	27.6	30.6	36.6	48.2	61.7
752	498			-	19.2	20.2	21.7	22.2	23.2	23.7	25.3	25.6	28.3	31.3	34.3	37.3	43.3	54.8	68.3
2060	1365	<b>1101W</b>	11.0 x 1W-SF	-	-	12.8	14.2	14.8	15.7	16.4	17.9	18.3	20.9	24.0	27.0	30.0	35.9	47.4	60.9
684	453			-	19.3	20.8	21.4	22.4	22.9	24.4	25.0	27.4	30.4	33.4	36.4	42.4	54.0	67.5	
1882	1249	<b>1201W</b>	12.0 x 1W-SF	-	-	-	13.5	14.1	15.0	15.6	17.1	17.4	20.1	23.1	26.1	29.1	35.2	46.7	60.2
628	416			-	-	-	19.9	20.5	21.4	22.0	23.6	24.0	26.6	29.6	32.8	35.6	41.6	53.2	66.7
1733	1149	<b>1301W</b>	13.0 x 1W-SF	-	-	-	-	-	14.4	14.8	16.3	16.8	19.3	22.3	25.3	28.3	34.4	45.9	59.4
578	383			-	-	-	-	-	20.6	21.1	22.6	23.2	25.6	28.6	31.7	34.7	40.8	52.4	65.9
1607	1065	<b>1401W</b>	14.0 x 1W-SF	-	-	-	-	-	-	15.6	15.7	18.6	21.6	24.6	27.6	33.6	45.2	58.7	
537	356			-	-	-	-	-	-	-	21.7	22.3	24.8	27.8	30.8	33.8	40.0	51.6	65.2
1509	1000	<b>1501W</b>	15.0 x 1W-SF	-	-	-	-	-	-	-	15.3	17.7	20.7	23.7	26.7	32.7	44.2	57.7	
502	332			-	-	-	-	-	-	-	21.3	23.9	26.9	29.9	32.9	39.1	50.7	64.3	
1411	935	<b>1601W</b>	16.0 x 1W-SF	-	-	-	-	-	-	-	-	16.8	19.8	22.8	25.8	31.8	43.3	56.6	
470	312			-	-	-	-	-	-	-	-	-	22.9	26.0	29.1	32.2	38.3	49.9	63.4
1259	835	<b>1801W</b>	18.0 x 1W-SF	-	-	-	-	-	-	-	-	-	18.1	21.1	24.2	30.2	41.8	55.3	
419	277			-	-	-	-	-	-	-	-	-	24.2	27.2	30.3	36.5	48.2	61.8	
1129	748	<b>2001W</b>	20.0 x 1W-SF	-	-	-	-	-	-	-	-	-	-	19.4	22.4	28.5	40.7	53.7	
376	250			-	-	-	-	-	-	-	-	-	-	-	25.4	28.4	34.6	46.4	60.0
1030	683	<b>2201W</b>	22.0 x 1W-SF	-	-	-	-	-	-	-	-	-	-	-	20.8	26.9	38.6	52.2	
342	227			-	-	-	-	-	-	-	-	-	-	-	26.5	32.8	44.6	58.2	
941	624	<b>2401W</b>	24.0 x 1W-SF	-	-	-	-	-	-	-	-	-	-	-	-	25.1	36.9	50.5	
314	208			-	-	-	-	-	-	-	-	-	-	-	-	31.2	42.8	56.4	
806	534	<b>2801W</b>	28.0 x 1W-SE	-	-	-	-	-	-	-	-	-	-	-	-	-	33.0	47.8	
269	178			-	-	-	-	-	-	-	-	-	-	-	-	-	-	38.9	53.8

### VPS-13-Y DRIVE SELECTION Using 4836V Belt

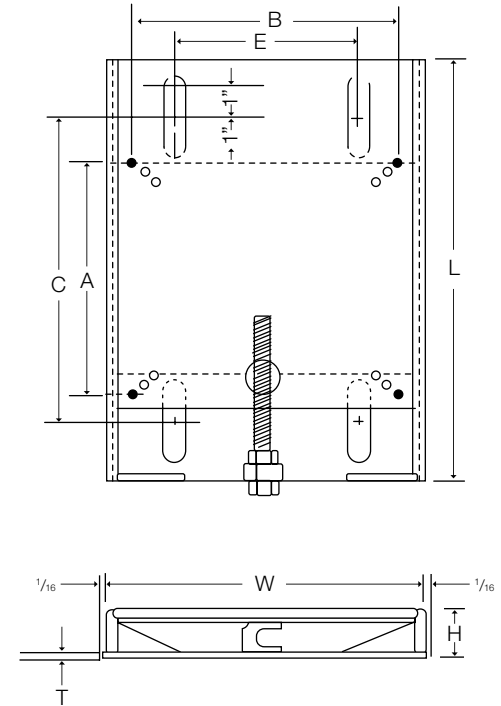
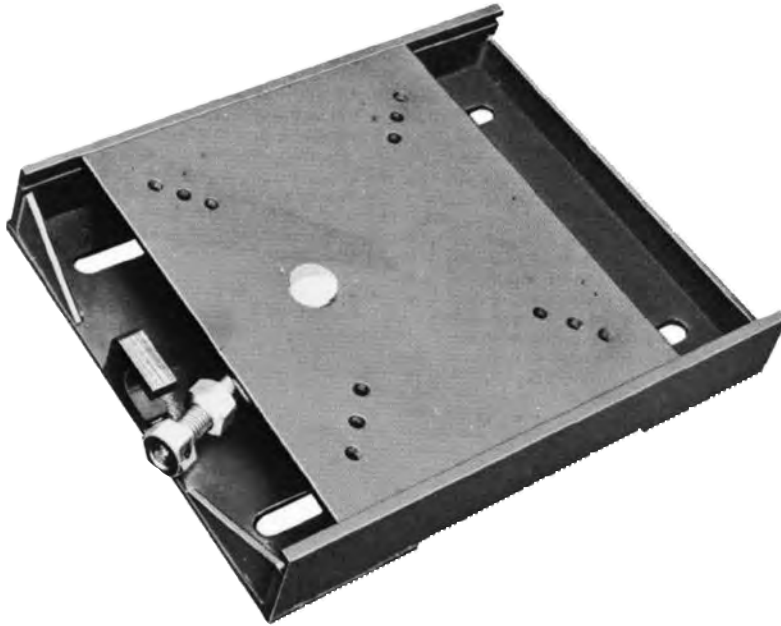
DRIVEN SPEED		Product Number	Companion Sheave	CENTER DISTANCE IN INCHES AT MAXIMUM AND MINIMUM SPEEDS										
1750 RPM Motor	1160 RPM Motor			VARIABLE SPEED V-BELT NUMBER										
				4836V 670	4836V 710	4836V 800	4836V 850	4836V 900	4836V 950	4836V 1000	4836V 1060	4836V 1120	4836V 1180	4836V 1250
2231	1479	<b>1001Y</b>	10.0 x 1Y-F	15.6	17.6	22.1	24.6	27.1	29.6	32.1	35.1	38.1	41.1	44.6
1117	740			20.6	22.6	27.1	29.6	32.1	34.6	37.1	40.1	43.1	46.1	49.6
2028	1345	<b>1101Y</b>	11.0 x 1Y-F	14.8	16.8	21.3	23.8	26.3	28.8	31.3	34.3	37.3	40.3	43.8
1015	673			19.7	21.7	26.3	28.8	31.3	33.8	36.3	39.3	42.3	45.3	48.8
1859	1233	<b>1201Y</b>	12.0 x 1Y-F	14.1	16.1	20.6	23.1	25.6	28.1	30.6	33.6	36.6	39.6	43.1
930	617			18.9	20.9	25.4	27.9	30.4	33.0	35.5	38.5	41.5	44.5	48.0
1594	1056	<b>1401Y</b>	14.0 x 1Y-F	-	14.5	19.0	21.5	24.0	26.5	29.0	32.0	35.0	38.0	41.5
798	529			-	19.1	23.7	26.2	28.7	31.3	33.8	36.8	39.8	42.8	46.3
1395	924	<b>1601Y</b>	16.0 x 1Y-F	-	-	17.3	19.9	22.4	24.9	27.4	30.4	33.4	36.4	39.9
698	463			-	-	21.9	24.5	27.0	29.5	32.1	35.1	38.1	41.1	44.7
1240	822	<b>1801Y</b>	18.0 x 1Y-F	-	-	-	18.2	20.7	23.2	25.7	28.7	31.8	34.8	38.3
620	411			-	-	-	22.6	25.2	27.8	30.3	33.4	36.4	39.4	43.0
1116	740	<b>2001Y</b>	20.0 x 1Y-F	-	-	-	-	18.9	21.5	24.0	27.0	30.1	33.1	36.6
558	370			-	-	-	-	23.3	25.9	28.5	31.5	34.6	37.7	41.2
930	616	<b>2401Y</b>	24.0 x 1Y-F	-	-	-	-	-	-	20.4	23.5	26.6	29.6	33.2
465	308			-	-	-	-	-	-	24.6	27.7	30.9	34.0	37.6
744	493	<b>3001Y</b>	30.0 x 1Y-F	-	-	-	-	-	-	-	-	-	23.9	27.6
372	247			-	-	-	-	-	-	-	-	-	-	28.0

Refer to Table on page D1-53 for additional belts.

## Dimensions

Wood's QS "Quick-Slide" Motor Bases are of heavy-duty welded steel construction. A unique feature of the QS Motor Base is the provision for releasing the adjusting screw, permitting the motor to be moved freely and quickly. Its slender construction makes it suitable for applications where space is at a premium.

For ceiling mounting, use MBA base, page D1-50.



Product No.	NEMA Motor Frame Number	DIMENSIONS—INCHES								Amount of Movement, inches	No. & Size of Cap Screws for Motor, inches	No. & Size of Floor Bolts,* inches	Wt. Lbs.
		A	B	C	E	H	L	T	W				
QS1A	143	5-1/2	4	9-5/8	6-1/8	1-5/8	14	1/4	10-3/8	4-1/2	4-5/16	4-5/8	17.5
QS1B	145	5-1/2	5	9-5/8	6-1/8	1-5/8	14	1/4	10-3/8	4-1/2	4-5/16	4-5/8	17.5
QS1A	182	7-1/2	4-1/2	9-5/8	6-1/8	1-5/8	14	1/4	10-3/8	4-1/2	4-3/8	4-5/8	17.5
QS1B	184	7-1/2	5-1/2	9-5/8	6-1/8	1-5/8	14	1/4	10-3/8	4-1/2	4-3/8	4-5/8	17.5
QS1A	213	8-1/2	5-1/2	9-5/8	6-1/8	1-5/8	14	1/4	10-3/8	4-1/2	4-3/8	4-5/8	17.5
QS1B	215	8-1/2	7	9-5/8	6-1/8	1-5/8	14	1/4	10-3/8	4-1/2	4-3/8	4-5/8	17.5
QS2A	254	10	8-1/4	12-3/8	9	1-21/32	16-3/4	1/4	13-1/4	6	4-1/2	4-5/8	30.5
QS2A	256	10	10	12-3/8	9	1-21/32	16-3/4	1/4	13-1/4	6	4-1/2	4-5/8	30.5
QS2A	284	11	9-1/2	12-3/8	9	1-21/32	16-3/4	1/4	13-1/4	6	4-1/2	4-5/8	30.5
QS3A	286	11	11	15-1/8	12	1-21/32	19-1/2	1/4	16-1/4	6	4-1/2	4-5/8	42.0
QS3A	324	12-1/2	10-1/2	15-1/8	12	1-21/32	19-1/2	1/4	16-1/4	6	4-5/8	4-5/8	42.0
QS3B	326	12-1/2	12	15-1/8	12	1-21/32	19-1/2	1/4	16-1/4	6	4-5/8	4-5/8	43.5
QS3B	364	14	11-1/4	15-1/8	12	1-21/32	19-1/2	1/4	16-1/4	6	4-5/8	4-5/8	43.5
QS3A	365	14	12-1/4	15-1/8	12	1-21/32	19-1/2	1/4	16-1/4	6	4-5/8	4-5/8	42.0

\*Floor bolts not furnished

# MBA Motor Bases

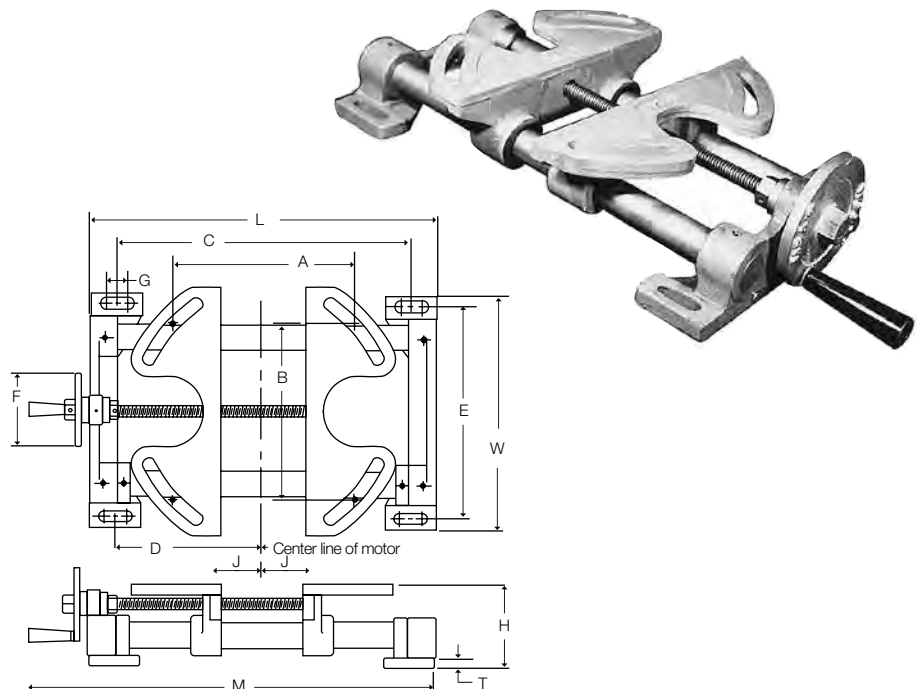
## Dimensions

Wood's MBA Motor Bases feature heavy-duty cast iron construction for use with all types of variable speed drives. The base can be mounted in any position, and will accommodate NEMA motor frames 48 through 405. For applications requiring an angled motor base, the MBA base is designed to permit up to a 12° angle.

### MBA MOTOR BASE DIMENSIONS

PRODUCT NO.	NEMA MOTOR FRAME NO.	A	B	ALL DIMENSIONS - INCHES			F	G	H	L	M	T	W	J TRAVEL EACH WAY
				C	D	E								
MB5*	48	4-1/4	2-3/4	16	8	7-5/8	2-13/16	13/16	3-3/8	18	20-1/2	9/16	9-1/2	4-15/16
	56	4-7/8	3	16	8	7-5/8	2-13/16	13/16	3-3/8	18	20-1/2	9/16	9-1/2	4-5/8
	143	5-1/2	4	16	8	7-5/8	2-13/16	13/16	3-3/8	18	20-1/2	9/16	9-1/2	4-5/16
	145	5-1/2	5	16	8	7-5/8	2-13/16	13/16	3-3/8	18	20-1/2	9/16	9-1/2	4-5/16
MBA15	143	5-1/2	4	15	7-1/2	9-5/16	2-13/16	1-1/4	3-3/8	17-1/2	21	7/16	10-1/2	5-3/4
	145	5-1/2	5	15	7-1/2	9-5/16	2-13/16	1-1/4	3-3/8	17-1/2	21	7/16	10-1/2	5-1/2
	182	7-1/2	4-1/2	15	7-1/2	9-5/16	2-13/16	1-1/4	3-3/8	17-1/2	21	7/16	10-1/2	4-5/8
	184	7-1/2	5-1/2	15	7-1/2	9-5/16	2-13/16	1-1/4	3-3/8	17-1/2	21	7/16	10-1/2	4-3/8
	213	8-1/2	5-1/2	15	7-1/2	9-5/16	2-13/16	1-1/4	3-3/8	17-1/2	21	7/16	10-1/2	3-7/8
	215	8-1/2	7	15	7-1/2	9-5/16	2-13/16	1-1/4	3-3/8	17-1/2	21	7/16	10-1/2	3-1/4
MBA25	254	10	8-1/4	18-3/8	9-3/16	13-9/16	5	1-1/2	5	25	30-5/16	7/8	15	6-1/4
	256	10	10	18-3/8	9-3/16	13-9/16	5	1-1/2	5	25	30-5/16	7/8	15	5-9/16
	284	11	9-1/2	18-3/8	9-3/16	13-9/16	5	1-1/2	5	25	30-5/16	7/8	15	5-1/4
	286	11	11	18-3/8	9-3/16	13-9/16	5	1-1/2	5	25	30-5/16	7/8	15	4-9/16
MBA30	324	12-1/2	10-1/2	20-1/4	10-1/8	14-1/2	5	1-1/2	5-11/16	23-7/8	28-5/8	3/4	16	4-9/16
	326	12-1/2	12	20-1/4	10-1/8	14-1/2	5	1-1/2	5-11/16	23-7/8	28-5/8	3/4	16	4
	364	14	11-1/4	20-1/4	10-1/8	14-1/2	5	1-1/2	5-11/16	23-7/8	28-5/8	3/4	16	3-1/2
	365	14	12-1/4	20-1/4	10-1/8	14-1/2	5	1-1/2	5-11/16	23-7/8	28-5/8	3/4	16	3-1/16
MB40*	404	16	12-1/4	24-1/2	12-1/4	17-1/2	6-3/4	1-1/2	6-1/2	28	33	7/8	19-3/16	4-5/16
	405	16	13-3/4	24-1/2	12-1/4	17-1/2	6-3/4	1-1/2	6-1/2	28	33	7/8	19-3/16	4-5/16

PRODUCT NO.	NEMA MOTOR FRAME NO.	SIZE OF 4 MOTOR CAPSCR.†	SIZE OF 4 FLOOR BOLTS†	WT. (LBS.)
MB5*	48	5/16	3/8	30
	56	5/16	3/8	30
	143	5/16	3/8	30
	145	5/16	3/8	30
MBA15	143	5/16	3/8	32
	145	5/16	3/8	32
	182	3/8	3/8	32
	184	3/8	3/8	32
	213	3/8	3/8	32
MBA25	254	1/2	5/8	105
	256	1/2	5/8	105
	284	1/2	5/8	105
	286	1/2	5/8	105
MBA30	324	5/8	5/8	115
	326	5/8	5/8	115
	364	5/8	5/8	115
	365	5/8	5/8	115
MB40*	404	3/4	5/8	200
	405	3/4	5/8	200



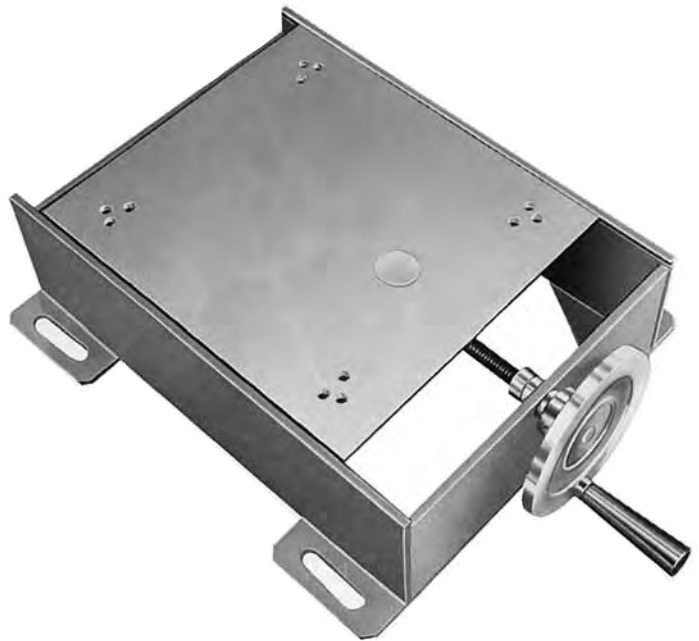
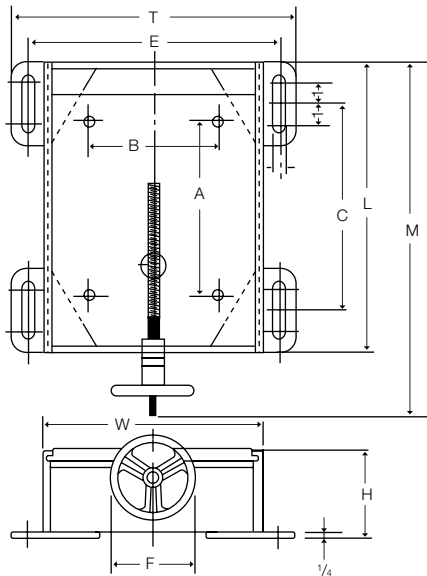
† Cap screw & bolts not furnished.

\* The MB5 & MB40 are not designed for angle mounting.

## Dimensions

Wood's MC Motor Bases are of heavy duty welded steel construction. This base is equipped with a hand-wheel for maximum ease of adjustment. For applications requiring an angled Motor Base, the motor base must be ordered with the drilling at the proper angle. Refer to page D1—22 for information on how to determine the proper angle for mounting the Motor Base.

This base is designed for floor mounting only. For ceiling mounting, use MBA base, page D1—50.



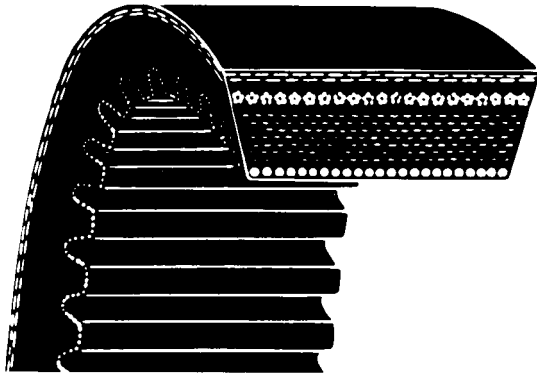
**DO NOT use the MC-3 motor base for applications with MCS sheaves. For these applications use MBA motor base.**

Motion Control Base Number	NEMA Motor Frame Number	DIMENSIONS - INCHES										Amount of Movement, Inches	No. & Size of Cap Screws for Motor, Inches	No. & Size of Floor Bolts,* Inches	Wt. Lbs.
		A	B	C	E	F	H	L	M	T	W				
MC-1A	143	5-1/2	4	9-1/2	12	4	4-1/4	14	17-5/8	13-1/2	10-3/8	6	4-5/16	4-5/8	25
MC-1B	145	5-1/2	5	9-1/2	12	4	4-1/4	14	17-5/8	13-1/2	10-3/8	6	4-5/16	4-5/8	25
MC-1A	182	7-1/2	4-1/2	9-1/2	12	4	4-1/4	14	17-5/8	13-1/2	10-3/8	6	4-3/8	4-5/8	25
MC-1B	184	7-1/2	5-1/2	9-1/2	12	4	4-1/4	14	17-5/8	13-1/2	10-3/8	6	4-3/8	4-5/8	25
MC-1A	213	8-1/2	5-1/2	9-1/2	12	4	4-1/4	14	17-5/8	13-1/2	10-3/8	6	4-3/8	4-5/8	25
MC-1B	215	8-1/2	7	9-1/2	12	4	4-1/4	14	17-5/8	13-1/2	10-3/8	6	4-3/8	4-5/8	25
MC-2A	254	10	8-1/4	13-3/4	15-1/8	6	5-9/32	18-1/4	24	16-5/8	13-1/4	8	4-1/2	4-5/8	50
MC-2A	256	10	10	13-3/4	15-1/8	6	5-9/32	18-1/4	24	16-5/8	13-1/4	8	4-1/2	4-5/8	50
MC-2A	284	11	9-1/2	13-3/4	15-1/8	6	5-9/32	18-1/4	24	16-5/8	13-1/4	8	4-1/2	4-5/8	50
MC-3A	286	11	11	20	18-1/8	6	5-9/32	24-1/2	30-1/4	19-5/8	16-1/4	10	4-1/2	4-5/8	66
MC-3A	324	12-1/2	10-1/2	20	18-1/8	6	5-9/32	24-1/2	30-1/4	19-5/8	16-1/4	10	4-5/8	4-5/8	66
MC-3B	326	12-1/2	12	20	18-1/8	6	5-9/32	24-1/2	30-1/4	19-5/8	16-1/4	10	4-5/8	4-5/8	66
MC-3B	364	14	11-1/4	20	18-1/8	6	5-9/32	24-1/2	30-1/4	19-5/8	16-1/4	10	4-5/8	4-5/8	66
MC-3A	365	14	12-1/4	20	18-1/8	6	5-9/32	24-1/2	30-1/4	19-5/8	16-1/4	10	4-5/8	4-5/8	66

\*Floor bolts not furnished.

# Variable Speed Belts

## Dimensions

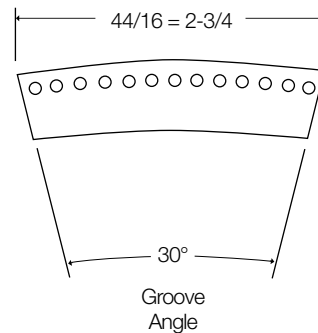
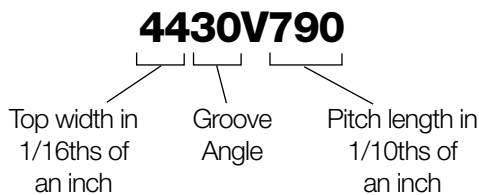


All Wood's Variable Speed Belts are precision molded to assure a completely uniform cross section. This allows even tracking and smooth running, without any vibration problems, extending the life of the belt, bearings, sheaves and other drive components.

These belts are built thin with precision, uniform notches on the underside for maximum lengthwise flexibility. Therefore, they can be used on small pulley drives without sacrificing any gripping action or cross-rigidity. Because of their arched construction, Variable Speed Belts have amazing crosswise rigidity that resists distortion under speed change tensions.

The aramid fiber tensile members of the Variable Speed Belts are dimensionally stable, therefore extending belt life. The rubber used in these belts is especially compounded for a strong resistance to the harmful, belt-damaging effects of heat and oil. Also, they are static conducting.

### BELT CODE EXPLANATION



### 1422 V Belts [M]

Belt No.	Pitch Length	Wt.
*1422V235	23.5	.29
*1422V240	24.0	.29
*1422V270	27.0	.32
*1422V290	29.0	.35
*1422V300	30.0	.36
*1422V330	33.0	.39
*1422V340	34.0	.40
*1422V360	36.0	.43
*1422V400	40.0	.47
*1422V420	42.0	.50
*1422V440	44.0	.52
*1422V460	46.0	.55
*1422V466	46.6	.55
*1422V470	47.0	.55
*1422V480	48.0	.57
*1422V540	54.0	.64
*1422V600	60.0	.72
*1422V660	66.0	.75
*1422V720	72.0	.82
*1422V780	78.0	.89

### 1922 V Belts [N]

Belt No.	Pitch Length	Wt.
1922V256	25.6	.48
1922V277	27.7	.52
1922V282	28.2	.53
1922V298	29.8	.56
1922V302	30.2	.57
1922V321	32.1	.60
1922V332	33.2	.62
1922V338	33.8	.63
1922V363	36.3	.68
1922V381	38.1	.71
1922V386	38.6	.72
1922V403	40.3	.75
1922V417	41.7	.78
1922V426	42.6	.79
1922V443	44.3	.83
1922V454	45.4	.85
1922V460	46.0	.86
1922V484	48.4	.90
1922V526	52.6	.98
*1922V544	54.4	1.01

### 1922 V Belts [N]

Belt No.	Pitch Length	Wt.
*1922V604	60.4	1.12
*1922V630	63.0	1.17
*1922V646	64.6	1.20
*1922V666	66.6	1.23
*1922V686	68.6	1.37
*1922V706	70.6	1.40
*1922V721	72.1	1.33
*1922V726	72.6	1.44
*1922V751	75.1	1.39
*1922V756	75.6	1.40
*1922V806	80.6	1.60
*1922V846	84.6	1.68
*1922V891	89.1	1.77
*1922V966	96.6	1.92
*1922V1146	114.6	2.27

\*These sizes are machine cut notch with envelope construction.  
All others are molded notch, rubber edge construction.

# Variable Speed Belts

## Dimensions

### 1930 V Belts [Q]

Product No.	Pitch Length	Weight
1930V366	36.6	.86
1930V400	40.0	.93
1930V425	42.5	.99
1930V431	43.1	1.00
1930V450	45.0	1.05
1930V491	49.1	1.14
1930V500	50.0	1.16
1930V541	54.1	1.25
1930V560	56.0	1.30
1930V591	59.1	1.37
1930V600	60.0	1.39
1930V641	64.1	1.48
1930V691	69.1	1.60
1930V991	99.1	2.28
1930V1091	109.1	2.51

### 2322 V Belts [P]

Product No.	Pitch Length	Weight
2322V329	32.9	1.08
2322V347	34.7	1.14
2322V364	36.4	1.08
2322V384	38.4	1.14
2322V396	39.6	1.17
2322V421	42.1	1.24
2322V434	43.4	1.28
2322V441	44.1	1.30
2322V461	46.1	1.36
2322V481	48.1	1.42
2322V521	52.1	1.53
2322V541	54.1	1.59
2322V601	60.1	1.76
2322V621	62.1	1.82
2322V661	66.1	1.94
2322V681	68.1	2.00
2322V701	70.1	2.05
2322V721	72.1	2.11
2322V801	80.1	2.34
2322V826	82.6	2.42
2322V846	84.6	2.47
2322V886	88.6	2.59
*2322V921	92.1	2.71
*2322V1001	100.1	2.94
*2322V1061	106.1	3.12

\*These sizes are machine cut notch with envelope construction. All others are molded notch, rubber edge construction.

### 2530 V Belts [R]

Product No.	Pitch Length	Weight
2530V300	30.0	.84
2530V335	33.5	1.24
2530V490	49.0	2.01
2530V500	50.0	2.07
2530V530	53.0	2.17
2530V550	55.0	2.25
2530V575	57.5	2.35
2530V595	59.5	2.43
2530V600	60.0	2.45

### 2530 V Belts [R]

#### (Continued)

Product No.	Pitch Length	Weight
2530V610	61.0	2.49
2530V630	63.0	2.57
2530V660	66.0	2.67
2530V670	67.0	2.73
2530V690	69.0	2.82
2530V700	70.0	2.86
2530V730	73.0	2.98
2530V750	75.0	3.06
2530V790	79.0	3.22
2530V840	84.0	3.42
2530V850	85.0	3.46
2530V890	89.0	3.62
2530V934	93.4	3.81
2530V990	99.0	4.02
2530V1090	109.0	4.42
2530V1190	119.0	4.83

### 2926 V Belts [T]

Product No.	Pitch Length	Weight
2926V366	36.6	1.47
2926V400	40.0	1.60
2926V426	42.6	1.70
2926V471	47.1	1.88
2926V477	47.7	1.90
2926V486	48.6	1.93
2926V491	49.1	1.95
2926V521	52.1	2.07
2926V534	53.4	2.12
2926V546	54.6	2.17
2926V574	57.4	2.28
2926V586	58.6	2.32
2926V606	60.6	2.40
2926V616	61.6	2.44
2926V636	63.6	2.52
2926V646	64.6	2.56
2926V666	66.6	2.64
2926V686	68.6	2.72
2926V706	70.6	2.80
2926V726	72.6	2.87
2926V776	77.6	3.07
2926V786	78.6	3.11
2926V834	83.4	3.29
2926V856	85.6	3.38
2926V891	89.1	3.52
2926V906	90.6	3.58
2926V921	92.1	3.64
2926V966	96.6	3.81
2926V1006	100.6	3.97
2926V1026	102.6	3.57
2926V1086	108.6	3.78
2926V1106	110.6	3.84
2926V1146	114.6	3.98

### 3230 HV Belts [S]

Product No.	Pitch Length	Weight
3230HV528	52.8	3.13
3230HV546	54.6	3.22
3230HV553	55.3	3.28
3230HV570	57.0	3.38
3230HV585	58.5	3.47
3230HV603	60.3	3.57
3230HV613	61.3	3.63
3230HV620	62.0	3.67
3230HV626	62.6	3.69
3230HV644	64.4	3.81
3230HV685	68.5	4.05
3230HV702	70.2	4.15
3230HV723	72.3	4.27
3230HV821	82.1	4.85
3230HV856	85.6	5.05
3230HV931	93.1	5.49
3230HV960	96.0	5.66
3230HV1060	106.0	6.25

### 4430 V Belts [W]

Product No.	Pitch Length	Weight
4430V510	51.0	4.05
4430V530	53.0	4.20
4430V548	54.8	4.35
4430V555	55.5	4.40
4430V560	56.0	4.44
4430V570	57.0	4.51
4430V578	57.8	4.58
4430V600	60.0	4.75
4430V610	61.0	4.82
4430V630	63.0	4.98
4430V652	65.2	5.10
4430V660	66.0	5.21
4430V670	67.0	5.29
4430V690	69.0	5.44
4430V700	70.0	5.52
4430V710	71.0	5.60
4430V718	71.8	5.66
4430V730	73.0	5.76
4430V740	74.0	5.84
4430V750	75.0	5.91
4430V760	76.0	5.99
4430V780	78.0	6.10
4430V790	79.0	6.23
4430V800	80.0	6.30
4430V850	85.0	6.69
4430V900	90.0	7.08
4430V910	91.0	7.16
4430V930	93.0	7.31
4430V950	95.0	7.47
4430V970	97.0	7.63
4430V1000	100.0	7.86
4430V1030	103.0	8.09
4430V1060	106.0	8.33
4430V1090	109.0	8.56
4430V1120	112.0	8.79
4430V1150	115.0	9.03
4430V1180	118.0	9.26
4430V1250	125.0	9.90
4430V1320	132.0	10.35

### 4430 V Belts [W]

#### (Continued)

Product No.	Pitch Length	Weight
4430V1410	141.0	10.55
4430V1460	146.0	10.93
4430V1610	161.0	12.04

### 4836 V Belts [Y]

Product No.	Pitch Length	Weight
4836V608	60.8	5.12
4836V618	61.8	5.54
4836V655	65.5	5.82
4836V670	67.0	5.99
4836V710	71.0	6.35
4836V800	80.0	7.16
4836V850	85.0	7.68
4836V900	90.0	8.04
4836V950	95.0	8.50
4836V1000	100.0	9.75
4836V1060	106.0	10.34
4836V1120	112.0	10.93
4836V1180	118.0	11.52
4836V1250	125.0	12.20

Note: Longer 4836 V belts are available on special order. Contact factory for availability.

Note: The Variable Speed Belts listed on these pages are only those used with Wood's stock Variable Speed Drives. For other available belts, refer to catalog WLP or consult the factory.



# Wide Range Companion Sheaves

## Dimensions

The companion sheaves for the motion control variable speed driver sheaves are made to accommodate Sure-Grip Bushings for ease of installation. The tables below list the dimensions for each.

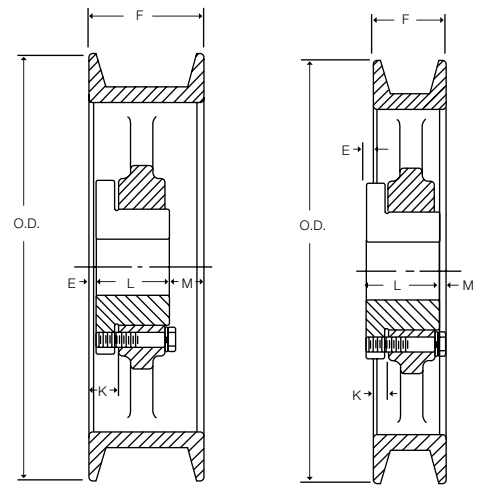
PRODUCT NO.	Pitch Dia.	O.D.	BUSHING	TYPE	E	K	L	M	WT.
<b>SINGLE "M" GROOVE FOR 1422V BELT F = 1-1/8 GROOVE TOP WIDTH = 7/8</b>									
531M	5.3	5.45	SH	D1	9/32	9/32	1-1/4	5/32	4.4
581M	5.8	5.95	SH	D1	9/32	9/32	1-1/4	5/32	5.3
681M	6.8	6.95	SH	D2	9/32	9/32	1-1/4	5/32	5.3
781M	7.8	7.95	SH	D2	9/32	9/32	1-1/4	5/32	6.5
881M	8.8	8.95	SH	D2	9/32	9/32	1-1/4	5/32	7.8

<b>SINGLE "N" GROOVE FOR 1922V BELT F = 1-7/16 GROOVE TOP WIDTH = 1-3/16</b>									
561N	5.6	5.82	SK	D1	19/32	1/8	1-7/8	5/32	6.8
661N	6.6	6.82	SK	D1	19/32	1/8	1-7/8	5/32	9.7
761N	7.6	7.82	SK	D2	19/32	1/8	1-7/8	5/32	10.4
861N	8.6	8.82	SK	D2	19/32	1/8	1-7/8	5/32	12.0
961N	9.6	9.82	SK	D2	19/32	1/8	1-7/8	5/32	13.8
1061N	10.6	10.82	SK	D2	19/32	1/8	1-7/8	5/32	14.8
1161N	11.6	11.82	SK	D2	19/32	1/8	1-7/8	5/32	12.5
1361N	13.6	13.82	SK	D3	19/32	1/8	1-7/8	5/32	19.4
1561N	15.6	15.82	SK	D3	19/32	1/8	1-7/8	5/32	22.1
1761N	17.6	17.82	SK	D3	19/32	1/8	1-7/8	5/32	25.2

<b>SINGLE "P" GROOVE FOR 2322V BELT F = 1-11/16 GROOVE TOP WIDTH = 1-7/16</b>									
661P	6.6	6.85	SK	D1	1/2	7/32	1-7/8	5/16	6.8
731P	7.3	7.50	SK	D1	1/2	7/32	1-7/8	5/16	9.7
761P	7.6	7.85	SK	D1	1/2	7/32	1-7/8	5/16	9.9
861P	8.6	8.85	SK	D2	1/2	7/32	1-7/8	5/16	13.3
961P	9.6	9.85	SK	D2	1/2	7/32	1-7/8	5/16	12.8
1081P	10.8	11.05	SK	D2	1/2	7/32	1-7/8	5/16	15.0
1181P	11.8	12.00	SK	D3	1/2	7/32	1-7/8	5/16	15.7
1381P	13.8	14.00	SK	D3	1/2	7/32	1-7/8	5/16	19.4
1581P	15.8	16.00	SK	D3	1/2	7/32	1-7/8	5/16	22.1
1781P	17.8	18.00	SK	D3	1/2	7/32	1-7/8	5/16	25.2

<b>SINGLE "R" GROOVE FOR 2530V BELT F = 1-15/16 GROOVE TOP WIDTH = 1-9/16</b>									
801R	8.0	8.30	SF	D1	5/16	3/8	2	1/4	16.1
1001R	10.0	10.30	SF	D2	5/16	3/8	2	1/4	20.4
1201R	12.0	12.30	SF	D3	5/16	3/8	2	1/4	24.5
1301R	13.0	13.30	SF	D3	5/16	3/8	2	1/4	26.9
1401R	14.0	14.30	SF	D3	5/16	3/8	2	1/4	28.9
1601R	16.0	16.30	SF	D3	5/16	3/8	2	1/4	34.8

<b>SINGLE "S" GROOVE FOR 3230HV BELT F = 2-3/8 GROOVE TOP WIDTH = 2</b>									
801S	8.0	8.4	SF	D1	1/16	5/8	2	7/16	17.3
901S	9.0	9.4	SF	D1	1/16	5/8	2	7/16	21.8
951S	9.5	9.9	SF	D2	1/16	5/8	2	7/16	19.4
1001S	10.0	10.4	SF	D2	1/16	5/8	2	7/16	21.6
1101S	11.0	11.4	SF	D3	1/16	5/8	2	7/16	22.8
1201S	12.0	12.4	SF	D3	1/16	5/8	2	7/16	25.5
1301S	13.0	13.4	SF	D3	1/16	5/8	2	7/16	28.1
1401S	14.0	14.4	SF	D3	1/16	5/8	2	7/16	32.5
1501S	15.0	15.4	SF	D3	1/16	5/8	2	7/16	35.1
1601S	16.0	16.4	SF	D3	1/16	5/8	2	7/16	40.4
1801S	18.0	18.4	SF	D3	1/16	5/8	2	7/16	44.2
2001S	20.0	20.4	SF	D3	1/16	5/8	2	7/16	51.2



Type A

Type D

Weights for all Sure-Grip items are approximate and include the bushing.

All dimensions in inches.

Figures following letter in column headed "Type" in tables on these pages indicate sheave constructions.  
1 - Solid, No Web / 2 - Web / 3 - Arms

## SURE GRIP BUSHINGS

Bush- ing	Fig. Dia.	Length	Stock Bore Range		Wt. (lbs.)
			Inches	MM	
SH	2-11/16	1-1/4	1/2 - 1-11/16	24-35	.9
SDS	3-3/16	1-5/16	1/2 - 2	24-42	1.3
SD	3-3/16	1-13/16	1/2 - 2	24-42	1.6
SK	3-7/8	1-7/8	1/2 - 2-5/8	24-55	2.8
SF	4-5/8	2	1/2 - 2-15/16	28-65	3.9
E	6	2-5/8	7/8 - 3-1/2	35-80	8.5
F	6-5/8	3-5/8	1 - 4	45-90	13.9

For more detailed information see A1 section of catalog WGC.

# Wide Range Companion Sheaves

## Dimensions

The companion sheaves for the motion control variable speed-driver sheaves are made to accommodate Sure-Grip Bushings for ease of installation. The tables below list the dimensions for each.

Product No.	Pitch Dia.	O.D.	Bushing	Type	E	K	L	M	Weight
<b>SINGLE "T" GROOVE FOR 2926V BELT F = 2-1/8</b>					<b>GROOVE TOP WIDTH = 1-13/16</b>				
761T	7.6	7.90	SK	D1	9/32	7/16	1-7/8	15/32	13.6
861T	8.6	8.90	SK	D2	9/32	7/16	1-7/8	15/32	12.8
961T	9.6	9.90	SK	D2	9/32	7/16	1-7/8	15/32	14.8
1061T	10.6	10.90	SK	D2	9/32	7/16	1-7/8	15/32	18.2
1161T	11.6	11.90	SK	D2	9/32	7/16	1-7/8	15/32	20.0
1361T	13.6	13.90	SK	D3	9/32	7/16	1-7/8	15/32	21.2
1561T	15.6	15.90	SK	D3	9/32	7/16	1-7/8	15/32	24.2
1761T	17.6	17.90	SK	D3	9/32	7/16	1-7/8	15/32	30.0
1961T	19.6	19.90	SK	D3	9/32	7/16	1-7/8	15/32	34.1
<b>SINGLE "W" GROOVE FOR 4430V BELT F = 3-1/8</b>					<b>GROOVE TOP WIDTH = 2-3/4</b>				
801W	8.0	8.4	SF	A1	1/8	13/16	2	1	18.6
851W	8.5	8.9	SF	A1	1/8	13/16	2	1	20.9
901W	9.0	9.4	SF	A1	1/8	13/16	2	1	23.3
951W	9.5	9.9	SF	A2	1/8	13/16	2	1	21.2
1001W	10.0	10.4	SF	A2	1/8	13/16	2	1	24.0
1101W	11.0	11.4	SF	A2	1/8	13/16	2	1	25.7
1201W	12.0	12.4	SF	A3	1/8	13/16	2	1	28.3
1301W	13.0	13.4	SF	A3	1/8	13/16	2	1	31.1
1401W	14.0	14.4	SF	A3	1/8	13/16	2	1	33.6
1501W	15.0	15.4	SF	A3	1/8	13/16	2	1	38.4
1601W	16.0	16.4	SF	A3	1/8	13/16	2	1	41.0
1801W	18.0	18.4	SF	A3	1/8	13/16	2	1	46.6
2001W	20.0	20.4	SF	A3	1/8	13/16	2	1	57.0
2201W	22.0	22.4	SF	A3	1/8	13/16	2	1	63.8
2401W	24.0	24.4	SF	A3	1/8	13/16	2	1	73.7
2801W	28.0	28.4	E	A3	1/32	15/16	2-5/8	19/32	106.0
<b>SINGLE "Y" GROOVE FOR 4836V BELT F = 3-3/8</b>					<b>GROOVE TOP WIDTH = 3</b>				
1001Y	10.0	10.45	F	D1	9/16	7/16	3-5/8	5/16	44.8
1101Y	11.0	11.45	F	D1	9/16	7/16	3-5/8	5/16	54.7
1201Y	12.0	12.45	F	D1	9/16	7/16	3-5/8	5/16	66.4
1401Y	14.0	14.45	F	D2	9/16	7/16	3-5/8	5/16	56.7
1601Y	16.0	16.45	F	D3	9/16	7/16	3-5/8	5/16	65.8
1801Y	18.0	18.45	F	D3	9/16	7/16	3-5/8	5/16	72.8
2001Y	20.0	20.45	F	D3	9/16	7/16	3-5/8	5/16	80.0
2401Y	24.0	24.45	F	D3	9/16	7/16	3-5/8	5/16	101.1
3001Y	30.0	30.45	F	D3	9/16	7/16	3-5/8	5/16	135.6

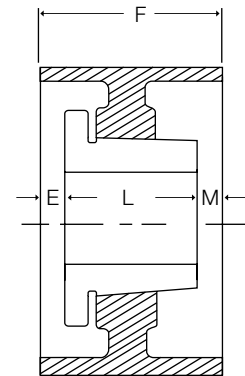
# Wide Range Companion Pulleys

## Dimensions

The companion pulleys for the motion control variable speed-driver sheaves are made to accommodate Sure-Grip Bushings for ease of installation. The tables below list the dimensions for each.

### COMPANION PULLEYS

PRODUCT NO.	BUSH	TYPE	E	L	M	WT.
<b>2" STRAIGHT FACE COMPANION PULLEYS</b>						
62S	SH	A3	1/16	1-1/4	11/16	4
72S	SH	A3	1/16	1-1/4	11/16	5
82S	SH	A3	1/16	1-1/4	11/16	6
92S	SH	A3	1/16	1-1/4	11/16	6
102S	SH	A3	1/16	1-1/4	11/16	7
112S	SH	A3	1/16	1-1/4	11/16	9
122S	SH	A3	1/16	1-1/4	11/16	11
142S	SDS	A3	0	1-5/16	11/16	14
162S	SDS	A3	0	1-5/16	11/16	16
<b>2-3/4" STRAIGHT FACE COMPANION PULLEYS</b>						
4234S	SD	A1	1/2	1-13/16	7/16	4
5234S	SD	A2	1/2	1-13/16	7/16	5
6234S	SD	A3	1/2	1-13/16	7/16	6
7234S	SD	A3	1/2	1-13/16	7/16	7
8234S	SD	A3	1/2	1-13/16	7/16	9
9234S	SD	A3	1/2	1-13/16	7/16	9
10234S	SD	A3	1/2	1-13/16	7/16	12
11234S	SD	A3	1/2	1-13/16	7/16	12
12234S	SD	A3	1/2	1-13/16	7/16	16
14234S	SF	A3	7/16	2	5/16	20
16234S	SF	A3	7/16	2	5/16	22
18234S	SF	A3	0	2	3/4	27
20234S	SF	A3	0	2	3/4	30
<b>4-1/4" STRAIGHT FACE COMPANION PULLEYS</b>						
4414S	SD	A1	1/2	1-13/16	1-15/16	5
5414S	SD	A2	1/2	1-13/16	1-15/16	6
6414S	SD	A3	5/8	1-13/16	1-13/16	8
7414S	SD	A3	5/8	1-13/16	1-13/16	8
8414S	SD	A3	5/8	1-13/16	1-13/16	11
9414S	SD	A3	13/16	1-13/16	1-5/8	14
10414S	SD	A3	13/16	1-13/16	1-5/8	14
11414S	SD	A3	13/16	1-13/16	1-5/8	16
12414S	SF	A3	1-3/16	2	1-1/16	21
14414S	SF	A3	1-3/16	2	1-1/16	25
16414S	SF	A3	1-3/16	2	1-1/16	28
18414S	SF	A3	3/4	2	1-1/2	34
20414S	SF	A3	3/4	2	1-1/2	35
24414S	SF	A3	3/4	2	1-1/2	50



#### Part no. explanation:

Example: 62S

6 = Outside Diameter

2 = Face Width

STR = Designates straight face  
(Necessary to be used as companion.)

# V-Belt Adjustable Pitch Sheaves

**D2**



**FHP**



**JVS**



**5VS-8VS**



**SVS**

# Light-Duty (FHP) Adjustable Sheave

## Dimensions

The one and two groove adjustable sheaves are machined from annealed cast iron and are designed for 3L, 4L (A), 5L (B) or 5V V-belts. The datum diameter of the sheaves is adjusted by loosening the setscrews in the hubs and turning the threaded flange to the desired setting and then the setscrews are retightened. The sheaves will give 30% change in datum diameter.



One Groove



Two Groove

## VP Series

Pitch Diameter and Turns

### One Groove

Product Number	3L or O				4L or A				5L or B				5V			
	Max. Pitch	Turns Open	Min. Pitch	Turns Open	Max. Pitch	Turns Open	Min. Pitch	Turns Open	Max. Pitch	Turns Open	Min. Pitch	Turns Open	Max. Pitch	Turns Open	Min. Pitch	Turns Open
1VP25	2.44	0	1.79	3.5	na	na	na	na	na	na	na	na	na	na	na	na
1VP30	2.69	0	1.87	4	na	na	na	na	na	na	na	na	na	na	na	na
*1VP34	2.90	0	2.08	4	3.04	1.5	2.32	5	3.19	3.5	2.78	5.5	na	na	na	na
1VP40	3.18	0	2.26	4.5	3.62	0	2.39	6	3.77	2	2.95	6	na	na	na	na
1VP44	3.58	0	2.66	4.5	4.02	0	2.79	6	4.17	2	3.35	6	na	na	na	na
1VP50	4.18	0	3.26	4.5	4.62	0	3.39	6	4.77	2	3.95	6	na	na	na	na
1VP56	4.78	0	3.86	4.5	5.22	0	3.49	6	5.37	2	4.55	6	na	na	na	na
1VP60	na	na	na	na	5.85	0	4.12	6	5.91	0	4.68	6	na	na	na	na
1VP62	5.38	0	4.46	4.5	5.82	0	4.59	6	5.97	2	5.15	6	5.87	2	5.07	6
1VP65	na	na	na	na	5.85	0	4.62	6	6.41	0	5.18	6	6.33	0	5.10	6
1VP68	5.98	0	5.06	4.5	6.42	0	5.19	6	6.57	2	5.75	6	6.49	2	5.67	6
1VP71	na	na	na	na	6.45	0	5.22	6	7.01	0	5.78	6	6.93	0	5.70	6
1VP75	na	na	na	na	6.85	0	5.62	6	7.41	0	6.18	6	7.33	0	6.10	6

### Two Groove

Product Number	3L or O				4L or A				5L or B				5V			
	Max. Pitch	Turns Open	Min. Pitch	Turns Open	Max. Pitch	Turns Open	Min. Pitch	Turns Open	Max. Pitch	Turns Open	Min. Pitch	Turns Open	Max. Pitch	Turns Open	Min. Pitch	Turns Open
*2VP36	2.78	0	2.27	2.5	3.22	0	2.50	3.5	3.37	2	2.76	5	na	na	na	na
2VP42	3.38	0	2.46	4.5	3.82	0	2.70	5.5	3.97	2	3.15	6	na	na	na	na
2VP50	4.18	0	3.26	4.5	4.62	0	3.37	6	4.77	2	3.95	6	na	na	na	na
2VP56	4.78	0	3.86	4.5	5.22	0	3.99	6	5.37	2	4.55	6	na	na	na	na
2VP60	na	0	na	na	5.35	0	4.12	6	5.91	0	4.68	6	na	na	na	na
2VP62	4.46	0	4.46	4.5	5.82	0	4.59	6	5.97	2	5.15	6	5.89	2	5.07	6
2VP65	na	0	na	na	5.85	0	4.62	6	6.41	0	5.18	6	6.33	0	5.10	6
2VP68	5.06	0	5.06	4.5	6.42	0	5.19	6	6.57	2	5.75	6	6.48	2	5.67	6
2VP71	na	0	na	na	6.45	0	5.22	6	7.01	0	5.78	6	6.93	0	5.70	6
2VP75	na	0	na	na	6.85	0	5.62	6	7.41	0	6.18	6	7.33	0	6.10	6

\*Max. Adjustment varies with Bore Size

# Light-Duty (FHP) Adjustable Sheave

## Dimensions

### VP SERIES

#### One Groove

Product Number	Outside Diameter	Overall Length	Weight Lbs.	Stock Bores									Max Bore	
				1/2	5/8	3/4	7/8	1	1-1/8	1-1/4	1-3/8	1-5/8		
1VP25	2.58	1.59	0.7	x	x	x								3/4
1VP30	2.87	1.66	1.1	x	x	x								3/4
1VP34	3.15	1.88	1.4	x	x	x	x	x	x					1-1/8
1VP40	3.75	1.88	1.9	x	x	x	x	x	x					1-1/8
1VP44	4.15	1.88	2.4	x	x	x	x	x	x					1-1/8
1VP50	4.75	2.00	3.6	x	x	x	x	x	x					1-1/8
1VP56	5.35	1.88	4.4	x	x	x	x	x	x					1-1/8
1VP60	6.00	1.66	6.5		x	x	x		x		x	x		1-5/8
1VP62	5.95	1.91	6.1		x	x	x	x	x	x	x			1-5/8
1VP65	6.50	1.66	6.8			x	x		x		x	x		1-5/8
1VP68	6.55	1.91	7.3		x	x	x	x	x	x	x			1-5/8
1VP71	7.10	1.66	8.5			x	x		x		x	x		1-5/8
1VP75	7.50	1.66	9.2			x	x	x	x		x	x		1-5/8

#### Two Groove

Product Number	Outside Diameter	Overall Length	Weight Lbs.	Stock Bores									Max Bore	
				1/2	5/8	3/4	7/8	1	1-1/8	1-1/4	1-3/8	1-5/8		
2VP36	3.35	3	3.4	x	x	x	x	x	x					1 1/8
2VP42	3.95	3	4.4		x	x	x	x	x					1-1/8
2VP50	4.75	3	6.3		x	x	x	x	x					1-1/8
2VP56	5.35	3	7.8		x	x	x	x	x		x	x		1-5/8
2VP60	6.00	3.25	10.6			x	x	x	x		x	x		1-5/8
2VP62	5.95	3	10			x	x	x	x	x	x			1-5/8
2VP65	6.50	3.25	12.3			x	x		x		x	x		1-5/8
2VP68	6.55	3	11.7			x	x	x	x	x	x	x		1-5/8
2VP71	7.10	3.25	14.6			x	x		x		x	x		1-5/8
2VP75	7.50	3.25	16.5			x	x	x	x		x	x		1-5/8

Product No. Example: 1VP40 Sheave with 5/8" Bore = 1VP4058 (Product No.)

Bore	Keyseat
1/2	NONE
5/8 to 7/8	3/16 x 3/32
1 to 1-1/4	1/4 x 1/8
1-5/16 x 1-3/8	5/16 x 5/32
1-7/16 x 1-5/8	3/8 x 3/16

# JVS Adjustable Speed Sheaves

---

## Features

- **For A-B or 5V Belts**
- **Up to 40 HP @ 1750 rpm**
- **Needs No Lubrication**
- **Won't Freeze or Stick**
- **Wider Speed Range**



Wood's JVS stationary control, adjustable speed sheaves offer several significant advantages. This sheave is available in 6 sizes from 5.118 inches (130 mm) to 9.055 inches (230 mm) in diameter. It uses Classical A and B belts and Narrow 5V belts. Capacities range up to 40 hp at 1750 rpm. Its speed is infinitely variable, and because one screw controls both moveable flanges, accurate groove spacing is assured at all times. It uses a clamping collar design with no threads on either the sleeve or the flanges, so there is no chance of fretting corrosion and sticking. No lubrication is needed.

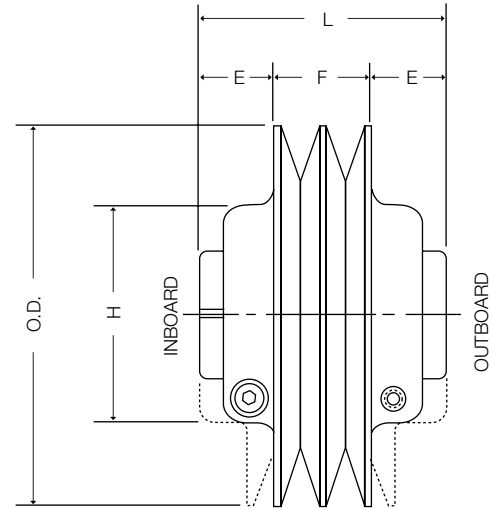
# JVS Adjustable Speed Sheaves

## Dimensions

Product No.	Stock Bores	Max. Bore
JVS1302	1-1/8, 1-3/8	1.3750
JVS1502	1-1/8, 1-3/8, 1-5/8	1.6875
JVS1702	1-1/8, 1-3/8, 1-5/8	1.6875
JVS1902	1-3/8, 1-5/8, 1-7/8	2.4375
JVS2102	1-3/8, 1-5/8, 1-7/8, 2-1/8	2.4375
JVS2302	1-3/8, 1-5/8, 1-7/8, 2-1/8	2.4375

**Product No. Example:**

JVS1302 with 1-3/8" Bore = JVS1302138 (Product No.)



Product No.	PITCH DIA. RANGE			O.D.	DIMENSIONS						WT. (Lbs.)
	A Belts	B Belts	5V Belts		L	F		E		H	
						Min.	Max.	Min.	Max.		
JVS1302	3.86 - 4.58	4.22 - 5.14	-	5.12	3.77	1.73	2.27	.75	1.02	3.19	8.0
JVS1502	4.44 - 5.36	4.49 - 5.92	4.41 - 5.84 †	5.90	4.13	1.73	2.59	.77	1.20	3.62	11.0
JVS1702	5.13 - 6.15	5.5 - 5.28	5.2 - 6.63 †	6.69	4.13	1.73	2.59	.77	1.20	3.62	13.5
JVS1902	5.92 - 6.94	5.5 - 6.07	5.99 - 7.42	7.48	4.13	1.73	2.59	.77	1.20	5.09	20.0
JVS2102	6.71 - 7.73	5.5 - 6.87	6.78 - 8.21	8.27	4.13	1.73	2.59	.77	1.20	5.09	23.0
JVS2302	7.15 - 8.52	5.5 - 7.65	7.57 - 9.00	9.06	4.13	1.73	2.59	.77	1.20	5.09	26.0

**Note:** JVS sheaves use standard 2 Groove "B" or "5V" sheaves as companions.

† Recommended for use with Narrow Cog Belts only.

**Note:** One turn of the adjusting screw varies the pitch .2". Maximum to minimum adjustment requires seven turns.



# 5VS And 8VS Ultra-V Adjustable Sheave

## Features

- For the 5V & 8V Narrow Belt
- More hp per inch Face Width
- Capacities to 500 hp @ 1750 rpm
- Interchangeable Bushings
- Needs No Lubrication
- Won't Freeze or Stick



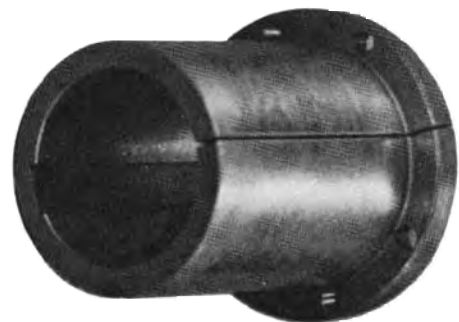
The narrow stationary control adjustable speed sheaves feature a design which uses a tapered bushing to lock all moveable parts and clamp the sheave to the shaft, thus eliminating fretting corrosion and minimizing unbalance. The 5VS sheaves are available in five basic sizes—5VS240, 5VS265, 5VS290, 5VS315 and 5VS355. The 5VS240 and 5VS265 sheaves are available with 2 through 6 grooves; and the 5VS290 through 5VS355 with 2 through 8 grooves. The 8VS sheaves are available in two basic sizes—8VS355 and 8VS-405, which are available with 4 through 8 grooves.

These sheaves are fitted with a split interchangeable bushing which is carried in stock with the popular bores. See chart on following pages for bores available from stock.

Companion sheave selection depends upon the number of grooves in the 5VS sheave.

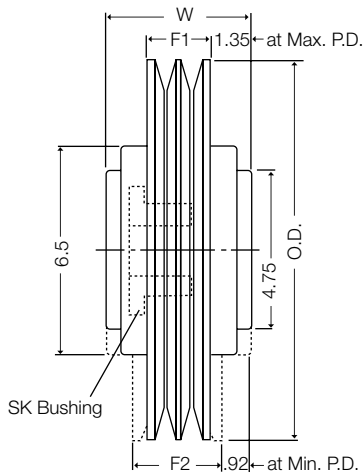
5VS SHEAVE	USE COMPANION
2 Groove	2 Groove – Stock 5V
3 Groove	5 Groove – Stock 5V
4 Groove	7 Groove – Stock 5V
5 Groove	9 Groove – Stock 5V
6 Groove	Stock 6 Groove Wide Space Companion
8 Groove	MTO 8 Groove Wide Spaced Companion

**NOTE:** 8VS Sheaves use MTO 8V Wide Groove Companions

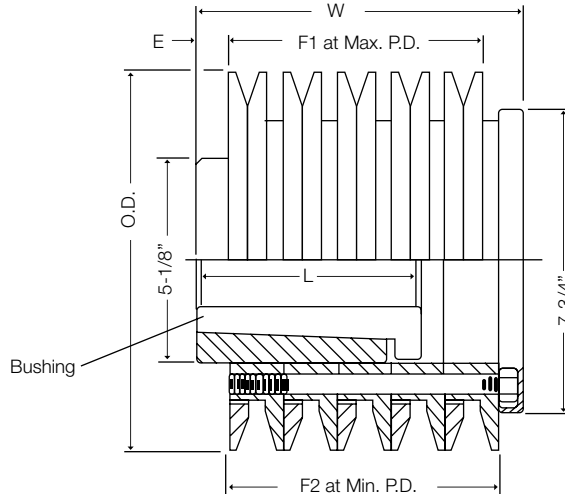


# 5VS Adjustable Sheaves

## Dimensions



2 Groove Only  
Max. to min. pitch 7-1/2 turns.  
Each turn varies pitch .18".



3 Thru 8 Grooves  
Max. to min. pitch 5.5 turns.  
Each turn varies pitch .25".

# 5VS SHEAVES

2, 3, 4, 5, 6 & 8  
GROOVES

Product No.	P.D.		O.D.	Bushing Product No	DIMENSIONS					WT. Lbs.
	Min.	Max.			F1	F2	W	E	L	
5VS2402	8.20	9.57	9.56	SK	1.89	2.75	4.59	-	-	34
5VS2403	8.20	9.57	9.56	5VSSB	3.70	4.13	5.30	.43	5.27	52
5VS2404	8.20	9.57	9.56	5VSSB	5.07	5.50	6.67	.43	5.27	64
5VS2405	8.20	9.57	9.56	5VSSB	6.45	6.88	8.05	.43	5.27	76
5VS2406	8.20	9.57	9.56	5VSLB	7.80	8.26	9.43	.43	8.46	100
5VS2652	9.19	10.57	10.56	SK	1.89	2.75	4.59	-	-	40
5VS2653	9.19	10.57	10.56	5VSSB	3.70	4.13	5.30	.43	5.27	62
5VS2654	9.19	10.57	10.56	5VSSB	5.07	5.50	6.67	.43	5.27	78
5VS2655	9.19	10.57	10.56	5VSSB	6.45	6.88	8.05	.43	5.27	92
5VS2656	9.19	10.57	10.56	5VSLB	7.80	8.26	9.43	.43	8.46	118
5VS2902	10.17	11.55	11.54	SK	1.89	2.75	4.59	-	-	46
5VS2903	10.17	11.55	11.54	5VSSB	3.70	4.13	5.30	.43	5.27	74
5VS2904	10.17	11.55	11.54	5VSSB	5.07	5.50	6.67	.43	5.27	92
5VS2905	10.17	11.55	11.54	5VSSB	6.45	6.88	8.05	.43	5.27	110
5VS2906	10.17	11.55	11.54	5VSLB	7.80	8.26	9.43	.43	8.46	140
5VS2908	10.17	11.55	11.54	5VSLB	10.56	11.00	12.18	.43	8.46	178
5VS3152	11.15	12.53	12.52	SK	1.89	2.75	4.59	-	-	52
5VS3153	11.15	12.53	12.52	5VSSB	3.70	4.13	5.30	.43	5.27	84
5VS3154	11.15	12.53	12.52	5VSSB	5.07	5.50	6.67	.43	5.27	106
5VS3155	11.15	12.53	12.52	5VSSB	6.45	6.88	8.05	.43	5.27	130
5VS3156	11.15	12.53	12.52	5VSLB	7.80	8.26	9.43	.43	8.46	162
5VS3158	11.15	12.53	12.52	5VSLB	10.56	11.00	12.18	.43	8.46	210
5VS3552	12.72	14.10	14.09	SK	1.89	2.75	4.59	-	-	52
5VS3553	12.72	14.10	14.09	5VSSB	3.70	4.13	5.30	.43	5.27	104
5VS3554	12.72	14.10	14.09	5VSSB	5.07	5.50	6.67	.43	5.27	133
5VS3555	12.72	14.10	14.09	5VSSB	6.45	6.88	8.05	.43	5.27	164
5VS3556	12.72	14.10	14.09	5VSLB	7.80	8.26	9.43	.43	8.46	202
5VS3558	12.72	14.10	14.09	5VSLB	10.56	11.00	12.18	.43	8.46	264

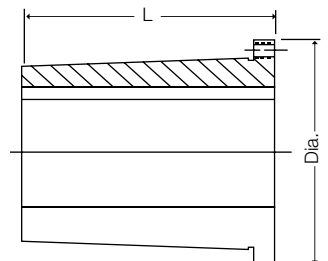
**Note:** All dimensions in the above tables are in inches.  
Maximum speed of all 5VS sheaves is 1800 RPM.

## BUSHING DIMENSIONS

Prod. No.	Stock Bores	Diameter	Length	Wt. (Lbs.)
5VSSB	1-7/8, 2-1/8, 2-3/8, 2-7/8, 3-3/8	5.10	5.27	11.5
5VSLB	2-3/8, 2-7/8, 3-3/8*	5.10	8.46*	9.0

\* 3-3/8 Bore only; Length = 7.0

**Product No. Example:** 5VSSB Bushing with a 2-3/8" Bore = 5VSSB238 (Product No.)



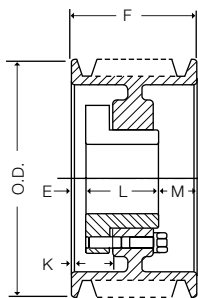
# Companion Sheaves For 5VS Adjustables

## Dimensions

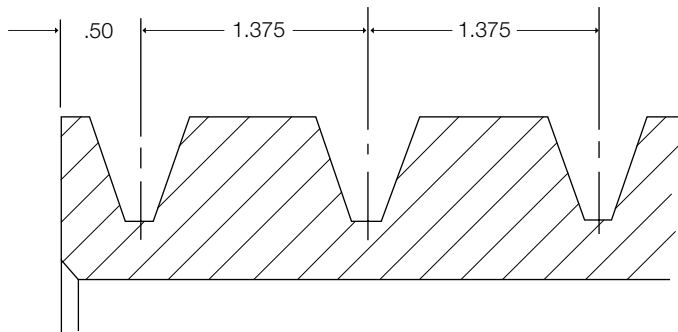
O.D. ◆	6 GROOVES (WIDE GROOVE SPACING)								8 GROOVES (WIDE GROOVE SPACING)*					
	Product No.	F = 7.88							F = 10.62					
		Bush.	Type	E	K	L	M	Wt.	Bush.	Type	E	K	L	M
8.0	-	-	-	-	-	-	-	-	E	A	3.38	4.25	2.62	4.62
8.5	-	-	-	-	-	-	-	-	E	A	3.38	4.25	2.62	4.62
9.0	-	-	-	-	-	-	-	-	F	A	2.38	3.38	3.62	4.62
9.25	-	-	-	-	-	-	-	-	F	A	2.38	3.38	3.62	4.62
9.75	-	-	-	-	-	-	-	-	F	A	2.38	3.38	3.62	4.62
10.3	5V1036W	F	A1	2-1/8	3-1/8	3-5/8	2-1/8	81.4	F	A	2.38	3.38	3.62	4.62
10.9	5V1096W	F	A1	2-1/8	3-1/8	3-5/8	2-1/8	89.2	J	A	2.5	3.68	4.5	3.62
11.3	5V1136W	F	A1	2-1/8	3-1/8	3-5/8	2-1/8	97.7	J	A	2.5	3.68	4.5	3.62
11.8	5V1186W	F	A1	2-1/8	3-1/8	3-5/8	2-1/8	103.9	J	A	2.5	3.68	4.5	3.62
12.5	5V1256W	F	A2	2-1/8	3-1/8	3-5/8	2-1/8	95.7	J	A	2.5	3.68	4.5	3.62
13.2	5V1326W	F	A2	2-1/8	3-1/8	3-5/8	2-1/8	102.3	J	A	2.5	3.68	4.5	3.62
14.0	5V1406W	F	A2	2-1/8	3-1/8	3-5/8	2-1/8	111.6	J	A	2.5	3.68	4.5	3.62
15.0	5V1506W	F	A3	2-1/8	3-1/8	3-5/8	2-1/8	110.9	M	A	2.5	3.68	4.5	3.62
16.0	5V1606W	F	A3	2-1/8	3-1/8	3-5/8	2-1/8	119.4	M	A	1.25	2.68	6.75	2.62
18.7	5V1876W	J	A3	3/4	1-15/16	4-1/2	2-5/8	160.8	M	A	1.25	2.68	6.75	2.62
20.0	-	-	-	-	-	-	-	-	M	A	1.25	2.68	6.75	2.62
21.2	5V2126W	J	A3	3/4	1-15/16	4-1/2	2-5/8	186.3	M	A	1.25	2.68	6.75	2.62
23.6	5V2366W	J	A3	3/4	1-15/16	4-1/2	2-5/8	218.3	M	A	1.25	2.68	6.75	2.62
25.0	-	-	-	-	-	-	-	-	M	A	1.25	2.68	6.75	2.62
28.0	5V2806W	J	A3	3/4	1-15/16	4-1/2	2-5/8	235.8	M	A	1.25	2.68	6.75	2.62
30.0	-	-	-	-	-	-	-	-	M	A	1.25	2.68	6.75	2.62
31.5	5V3156W	J	A3	3/4	1-15/16	4-1/2	2-5/8	272.4	M	A	1.25	2.68	6.75	2.62
35.5	-	-	-	-	-	-	-	..	N	A	0	1.75	8.12	2.5
37.5	5V3756W	J	A3	3/4	1-15/16	4-1/2	2-5/8	357.9	N	A	0	1.75	8.12	2.5
42.5	-	-	-	-	-	-	-	-	N	A	0	1.75	8.12	2.5
46.0	-	-	-	-	-	-	-	-	N	A	0	1.75	8.12	2.5
50.0	5V5006W	M	A3	15/32	1-15/16	6-3/4	21/32	648.0	N	A	0	1.75	8.12	2.5
53.0	-	-	-	-	-	-	-	-	N	A	0	1.75	8.12	2.5
58.0	-	-	-	-	-	-	-	-	N	A	0	1.75	8.12	2.5
64.0	-	-	-	-	-	-	-	-	P	A	0	2.0	9.38	1.24
72.0	-	-	-	-	-	-	-	-	P	A	0	2.0	9.38	1.24

◆ P.D. = O.D.

\* 8 Groove companions are MTO.



Type A



5V Wide-Groove Spaced Companions

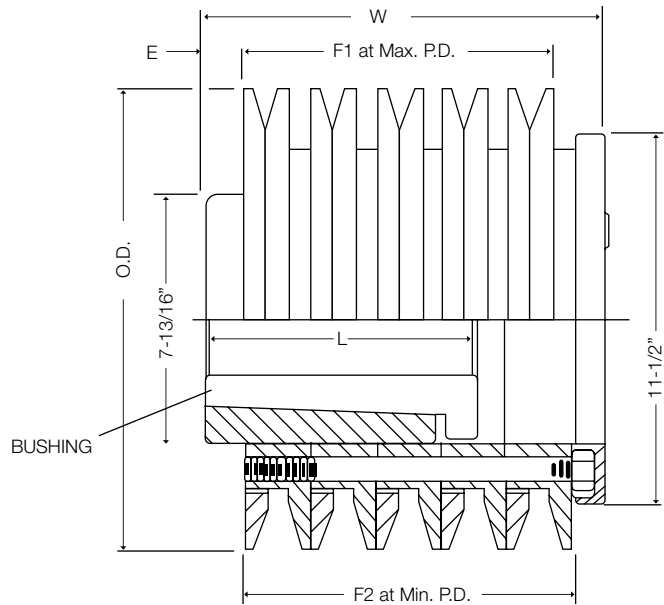
# 8VS Adjustable Speed Sheaves

## Dimensions

## 8VS SHEAVES

### 4, 5, 6 & 8 GROOVE

Max. to min. adjustment requires 8 turns. Pitch varies .24" per turn.



Product No.	P.D.		O.D.	Bushing	DIMENSIONS					WT.* Lbs.
	Min.	Max.			F1	F2	W	E	L	
8VS3554	12.48	14.37	14.17	8VS-SB	7.22	7.87	9.70	.65	9.33	187
8VS3555	12.48	14.37	14.17	8VS-SB	9.18	9.84	11.67	.65	9.33	220
8VS3556	12.48	14.37	14.17	8VS-SB	11.15	11.81	13.64	.65	9.33	256
8VS3558	12.48	14.37	14.17	8VS-LB	15.09	15.75	17.58	.65	12.36	340
8VS4054	14.45	16.34	16.14	8VS-SB	7.22	7.87	9.70	.65	9.33	215
8VS4055	14.45	16.34	16.14	8VS-SB	9.18	9.84	11.67	.65	9.33	250
8VS4056	14.45	16.34	16.14	8VS-SB	11.15	11.81	13.64	.65	9.33	290
8VS4058	14.45	16.34	16.14	8VS-LB	15.09	15.75	17.58	.65	12.36	388

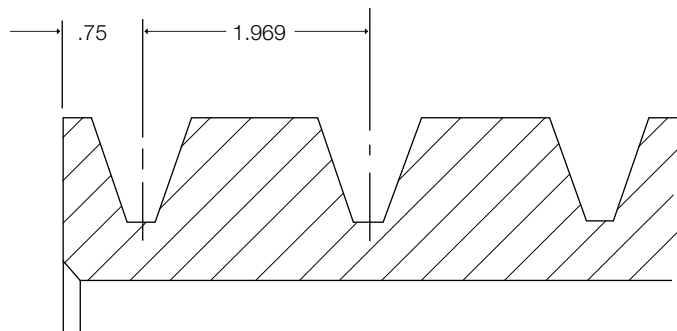
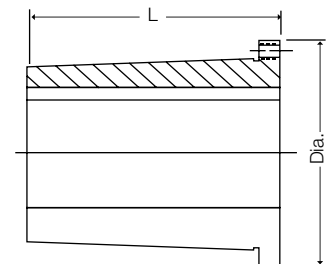
\* Weight does not include bushing.

**Note:** Max. RPM of 8VS-355 is 1800 and for 8VS-405 the max. RPM is 1500.

## BUSHING DIMENSIONS

Prod. No.	Stock Bores	Diameter	Length	Wt. (Lbs.)
8VSSB	3-3/8, 3-7/8	7.75	9.33	34.0
8VSLB	3-3/8, 3-7/8, 4-3/8	7.75	12.36	40.0

**Product No. Example:** 8VSLB Bushing with 3-7/8" Bore = 8VSLB378 (Product No.)



# Companion Sheaves For 8VS Adjustables

## Dimensions

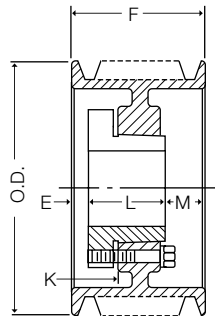
The companion sheaves for 8VS Adjustables have wide groove spacing and are made-to-order. The diameters can vary from those shown. However, the drives in the pre-engineered drive tables use the diameters listed here.

O.D. ◆	4 GROOVES (wide groove spacing)						5 GROOVES (wide groove spacing)						6 GROOVES (wide groove spacing)						8 GROOVES (wide groove spacing)					
	F = 7.41						F = 9.38						F = 11.34						F = 15.28					
	Bush.	Type	E	K	L	M	Bush.	Type	E	K	L	M	Bush.	Type	E	K	L	M	Bush.	Type	E	K	L	M
12.5	F	A	1.38	2.38	3.62	2.40	F	A	2.38	3.38	3.62	3.37	J	A	2.38	3.56	4.5	4.46	J	A	4.25	5.44	4.5	6.53
13.2	F	A	1.38	2.38	3.62	2.40	F	A	2.38	3.38	3.62	3.37	J	A	2.38	3.56	4.5	4.46	J	A	4.25	5.44	4.5	6.53
14.0	F	A	1.38	2.38	3.62	2.40	F	A	2.38	3.38	3.62	3.37	J	A	2.38	3.56	4.5	4.46	J	A	4.25	5.44	4.5	6.53
15.0	F	A	1.38	2.38	3.62	2.40	F	A	2.38	3.38	3.62	3.37	J	A	2.38	3.56	4.5	4.46	J	A	4.25	5.44	4.5	6.53
16.0	F	A	1.38	2.38	3.62	2.40	J	A	1.5	2.68	4.5	3.37	J	A	2.38	3.56	4.5	4.46	J	A	4.25	5.44	4.5	6.53
17.0	J	A	1.38	2.38	3.62	2.40	J	A	1.5	2.68	4.5	3.37	J	A	2.38	3.56	4.5	4.46	M	A	2.75	4.18	6.75	5.78
18.0	J	A	.94	2.12	4.5	1.96	J	A	1.5	2.68	4.5	3.37	J	A	2.38	3.56	4.5	4.46	M	A	2.75	4.18	6.75	5.78
19.0	J	A	.94	2.12	4.5	1.96	J	A	1.5	2.68	4.5	3.37	J	A	2.38	3.56	4.5	4.46	M	A	2.75	4.18	6.75	5.78
20.0	J	A	.94	2.12	4.5	1.96	J	A	1.5	2.68	4.5	3.37	M	A	.75	2.18	6.75	3.84	M	A	2.75	4.18	6.75	5.78
21.2	J	A	.94	2.12	4.5	1.96	J	A	1.5	2.68	4.5	3.37	M	A	.75	2.18	6.75	3.84	M	A	2.75	4.18	6.75	5.78
22.4	J	A	.94	2.12	4.5	1.96	M	A	.25	1.68	6.75	2.37	M	A	.75	2.18	6.75	3.84	M	A	2.75	4.18	6.75	5.78
23.6	J	A	.94	2.12	4.5	1.96	M	A	.25	1.68	6.75	2.37	M	A	.75	2.18	6.75	3.84	M	A	2.75	4.18	6.75	5.78
24.8	M	A	0	1.44	6.75	.65	M	A	.25	1.68	6.75	2.37	M	A	.75	2.18	6.75	3.84	M	A	2.75	4.18	6.75	5.78
28.0	M	A	0	1.44	6.75	.65	M	A	.25	1.68	6.75	2.37	M	A	.75	2.18	6.75	3.84	M	A	2.75	4.18	6.75	5.78
30.0	M	A	0	1.44	6.75	.65	M	A	.25	1.68	6.75	2.37	M	A	.75	2.18	6.75	3.84	N	A	2.75	4.5	8.12	4.41
35.5	M	A	0	1.44	6.75	.65	M	A	.25	1.68	6.75	2.37	M	A	.75	2.18	6.75	3.84	N	A	2.75	4.5	8.12	4.41
40.0	M	A	0	1.44	6.75	.65	M	A	.25	1.68	6.75	2.37	N	A	.75	2.5	8.12	2.47	N	A	2.75	4.5	8.12	4.41
42.5	M	A	0	1.44	6.75	.65	N	A	0	1.75	8.12	1.25	N	A	.75	2.5	8.12	2.47	N	A	2.75	4.5	8.12	4.41
44.5	M	A	0	1.44	6.75	.65	N	A	0	1.75	8.12	1.25	N	A	.75	2.5	8.12	2.47	P	A	2.75	4.5	8.12	4.41
48.0	M	A	0	1.44	6.75	.65	N	A	0	1.75	8.12	1.25	N	A	.75	2.5	8.12	2.47	P	A	2.0	4.0	9.38	3.90
53.0	N	B	.25	1.5	8.12	.47	N	A	0	1.75	8.12	1.25	N	A	.75	2.5	8.12	2.47	P	A	2.0	4.0	9.38	3.90
58.0	N	B	.25	1.5	8.12	.47	N	A	0	1.75	8.12	1.25	N	A	.75	2.5	8.12	2.47	P	A	2.0	4.0	9.38	3.90
63.0	N	B	.25	1.5	8.12	.47	N	A	0	1.75	8.12	1.25	P	A	0	2.0	9.38	1.96	P	A	2.0	4.0	9.38	3.90
71.0	N	B	.25	1.5	8.12	.47	P	A	0	2.0	9.37	0	P	A	0	2.0	9.38	1.96	P	A	2.0	4.0	9.38	3.90
78.0	N	B	.25	1.5	8.12	.47	P	A	0	2.0	9.37	0	P	A	0	2.0	9.38	1.96	P	A	2.0	4.0	9.38	3.90

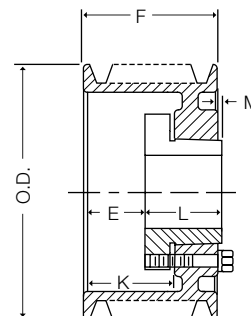
◆ P.D. = O.D.

To order specify "8V" + O.D. + "X" + Number of Grooves + "W"

Example: 8V22.4 x 6W



Type A



Type B

## Features

Wood's SVS standard V-belt adjustable speed sheave is a stationary control, multiple groove unit which provides accurate and infinite speed control within the datum diameter range of each sheave. There is no sticking or freezing. No lubrication is required. This sheave is easily installed, simply adjusted and accurately balanced to assure smooth operation and long drive life. It is of simple, highly efficient design and sturdy construction.



**Type 1**

U.S. Patent 2,753,723-2,907,597

All SVS sheaves are designed to provide easy datum diameter variation through a single adjusting screw. Positive locking collars clamp the adjustable flanges to the sleeve, thereby eliminating relative motion between sheave parts during operation. This prevents the fretting corrosion and freezing that could cause the unit to become non-adjustable.

SVS standard adjustable sheaves provide infinite speed variation within the range of the datum diameter variation. B Sheaves require 10.25 turns of the adjusting screw from max. to min., and C Sheaves require 14 turns. One turn changes the pitch dia. .14 (B) and .16 (C).

Wood's Type 1 for 2, 3 and 4 groove SVS sheaves are designed to operate with standard conventional fixed pitch companion sheaves having the industry standard groove spacing.

# B SVS Adjustable Sheaves

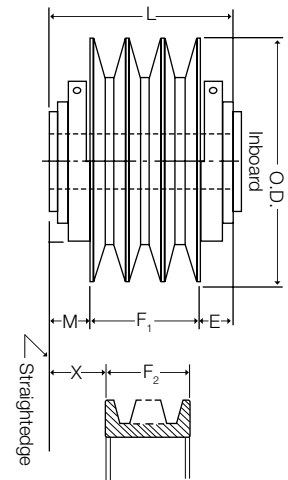
## Dimensions

Wood's B-section SVS stationary control adjustable speed sheaves are available in 2, 3 and 4 groove sizes. When the center distance exceeds 12 inches for 2 groove drives and 16 inches for 3 and 4 groove drives, sheaves with standard groove spacing can be used as the companion sheave.

The B-SVS sheaves are also designed to accept A V-belts. The table below lists the P.D. Range for both A and B V-belts.

Product No.	Pitch Diameter		O.D.	Stock Bores	Max. Bore	Wt.
	A	B				
SVS49B2	3.62-4.75	3.91-5.31	5.25	7/8, 1-1/8, 1-3/8	1-3/8	14.3
SVS49B3	3.62-4.75	3.91-5.31	5.25	1-1/8, 1-3/8	1-3/8	17.5
SVS49B4	3.62-4.75	3.91-5.31	5.25	1-1/8, 1-3/8	1-3/8	20.0
SVS54B2	4.15-5.25	4.41-5.81	5.75	7/8, 1-1/8, 1-3/8	1-3/8	15.5
SVS54B3	4.15-5.25	4.41-5.81	5.75	1-1/8, 1-3/8	1-3/8	19.0
SVS54B4	4.15-5.25	4.41-5.81	5.75	1-1/8, 1-3/8	1-3/8	22.5
SVS59B2	4.62-5.75	4.91-6.31	6.25	1-1/8, 1-3/8, 1-5/8	1-7/8	18.8
SVS59B3	4.62-5.75	4.91-6.31	6.25	1-1/8, 1-3/8, 1-5/8	1-7/8	23.5
SVS59B4	4.62-5.75	4.91-6.31	6.25	1-3/8, 1-5/8, 1-7/8	1-7/8	27.0
SVS64B2	5.15-6.25	5.41-6.81	6.75	1-1/8, 1-3/8, 1-5/8	1-7/8	20.8
SVS64B3	5.15-6.25	5.41-6.81	6.75	1-3/8, 1-5/8, 1-7/8	1-7/8	24.8
SVS64B4	5.15-6.25	5.41-6.81	6.75	1-5/8, 1-7/8	1-7/8	27.3
SVS69B2	5.65-6.75	5.91-7.31	7.25	1-1/8, 1-3/8, 1-5/8	1-7/8	22.3
SVS69B3	5.65-6.75	5.91-7.31	7.25	1-3/8, 1-5/8, 1-7/8	1-7/8	27.0
SVS69B4	5.65-6.75	5.91-7.31	7.25	1-5/8, 1-7/8	1-7/8	30.5
SVS74B2	6.15-7.25	6.41-7.81	7.75	1-1/8, 1-3/8, 1-5/8	2-3/8	26.3
SVS74B3	6.15-7.25	6.41-7.81	7.75	1-5/8, 1-7/8	2-3/8	32.0
SVS74B4	6.15-7.25	6.41-7.81	7.75	1-5/8, 1-7/8, 2-1/8	2-3/8	37.3
SVS84B2	7.15-8.25	7.41-8.81	8.75	1-3/8, 1-5/8	2-3/8	29.0
SVS84B3	7.15-8.25	7.41-8.81	8.75	1-3/8, 1-5/8, 1-7/8	2-3/8	32.0
SVS84B4	7.15-8.25	7.41-8.81	8.75	1-5/8, 1-7/8, 2-1/8	2-3/8	43.0
SVS94B2	8.15-9.25	8.41-9.81	9.75	1-3/8, 1-5/8	2-3/8	32.5
SVS94B3	8.15-9.25	8.41-9.81	9.75	1-5/8, 1-7/8	2-3/8	42.0
SVS94B4	8.15-9.25	8.41-9.81	9.75	1-5/8, 1-7/8, 2-1/8	2-3/8	50.3

## B SVS SHEAVES 2, 3 & 4 GROOVE



Type 1

Product No. Example: SVS64B3 with 1-3/8" Bore = SVS64B3138 (Product No.)

## DIMENSIONS

No. of Grooves	L	F <sub>1</sub>		E		M		F <sub>2</sub>	X	F <sub>2</sub>	X
		Min.	Max.	Min.	Max.	Min.	Max.				
2	4-3/16	1-9/16	2-7/16	7/8	1-5/16	7/8	1-5/16	1-3/4	1-7/32	1-15/16	1-1/8
3	5-5/16	2-1/4	3-9/16	7/8	1-5/16	7/8	1-3/4	2-1/2	1-27/32	2-7/8	1-11/32
4	6-7/16	3	4-11/16	7/8	1-23/32	7/8	1-23/32	3-1/4	1-19/32	3-13/16	1-5/16

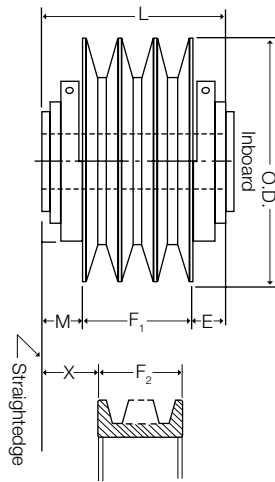
These dimensions would apply if Companion Sheaves having wide groove spacing are used.

# C SVS Adjustable Sheaves

## Dimensions

Wood's C-section stationary control adjustable speed sheaves are available in 2, 3 & 4 groove sizes. When the center distance exceeds 19 inches for 2 groove drives and 25 inches for 3 and 4 groove drives, sheaves with standard groove spacing can be used as the companion sheave.

## C SVS SHEAVES 2, 3 & 4 GROOVE



Type 1

Product No.	Pitch Diameter	O.D.	Stock Bores	Max. Bore	Wt.
SVS92C2	7.50-9.70	9.56	1-5/8, 1-7/8	2-1/2	40.5
SVS92C3	7.50-9.70	9.56	1-5/8, 1-7/8, 2-1/8	2-1/2	54.0
SVS92C4	7.50-9.70	9.56	2-1/8, 2-3/8	2-1/2	63.0
SVS102C2	8.50-10.70	10.56	1-5/8, 1-7/8, 2-1/8	2-1/2	44.3
SVS102C3	8.50-10.70	10.56	1-7/8, 2-1/8, 2-3/8	2-1/2	59.0
SVS102C4	8.50-10.70	10.56	2-1/8, 2-3/8	2-1/2	71.8
SVS107C2	9.00-11.20	11.06	1-5/8, 1-7/8, 2-1/8	2-1/2	49.3
SVS107C3	9.00-11.20	11.06	1-7/8, 2-1/8, 2-3/8	2-1/2	62.8
SVS107C4	9.00-11.20	11.06	2-1/8, 2-3/8	2-1/2	76.0
SVS112C2	9.50-11.70	11.56	1-5/8, 1-7/8, 2-1/8	2-1/2	50.5
SVS112C3	9.50-11.70	11.56	1-7/8, 2-1/8, 2-3/8	2-1/2	68.3
SVS112C4	9.50-11.70	11.56	2-1/8, 2-3/8	2-1/2	82.5
SVS117C2	10.00-12.20	12.06	1-5/8, 1-7/8, 2-1/8	2-1/2	55.0
SVS117C3	10.00-12.20	12.06	1-7/8, 2-1/8, 2-3/8	2-1/2	69.5
SVS117C4	10.00-12.20	12.06	2-1/8, 2-3/8	2-1/2	85.5
SVS127C2	11.00-13.20	13.06	1-5/8, 1-7/8, 2-1/8	2-1/2	59.8
SVS127C3	11.00-13.20	13.06	1-7/8, 2-1/8, 2-3/8	2-1/2	76.0
SVS127C4	11.00-13.20	13.06	2-1/8, 2-3/8	2-1/2	91.0

Product No. Example: SVS92C2 with 1-5/8" Bore = SVS92C2158 (Product No.)

## DIMENSIONS

No. of Grooves	L	F <sub>1</sub>		E		M		F <sub>1</sub>	X	F <sub>2</sub>	X
		Min.	Max.	Min.	Max.	Min.	Max.				
2	5-1/4	2-1/16	3-1/4	1	1-19/32	1	1-19/32	2-3/8	1-7/16	2-3/8	1-5/16
3	6-7/8	3	4-3/4	1	1-9/16	1-1/8	2-5/16	3-3/8	2-13/32	3-7/8	1-23/32
4	8-9/16	3-15/16	6-5/16	1-1/8	2-5/16	1-1/8	2-5/16	4-3/8	2-3/32	5-1/8	1-23/32

These dimensions would apply if Companion Sheaves having wide groove spacing are used.









# Sure-Flex Plus® Elastomeric Couplings

**F1**



- **30% Higher Rating**
- **Quick, Easy Installation**
- **Clean, Quiet Performance**
- **No Lubrication, No Maintenance**

# Table of Contents

## Sure-Flex Plus® Table of Contents

Selection Guide .....	3-7
Components .....	3
Sleeve Selection .....	4
Sleeve Dimensions .....	5
Load/Service Factor .....	6
Coupling Ratings .....	7
Type J BTS Couplings .....	9
Type S BTS Couplings .....	10-11
Type B QD Bushed Couplings .....	11
Type SC BTS Spacer Couplings .....	12-15
Type C Clamp Hub Couplings .....	16
Installation Instructions .....	17

## Sure-Flex Plus couplings are a TB Wood's original!



## New! Sure-Flex® PLUS+

For over 50 years, TB Wood's has led the coupling industry with the original TB Wood's Sure-Flex design. And we haven't stopped innovating: this industry favorite just got even better. Our new Sure-Flex Plus EPDM and Neoprene sleeves are best-in-class for coupling performance and value. Here's why:

### High Torque Rating

- **30% Increased Torque Rating**

Sure-Flex Plus sleeves provide longer service life in demanding applications, reducing required maintenance and associated replacement cost.

### Longer Life

- **Sure-Flex Plus Lasts Over 3X Longer than the Competition**

Extensive testing shows our sleeves outlast the imitators. More uptime means less costly downtime.

### Better Value

- **Save Money Using a Smaller Coupling**

Over 50% of common applications can now use a smaller coupling, lowering the cost of both coupling purchase and sleeve replacement.

### Interchangeable

- **Retrofits to Existing Flanges**

No need to replace the full coupling – the Sure-Flex Plus sleeve design is 100% compatible with the current industry standard created by TB Wood's over 50 years ago.

Sure-Flex Plus couplings utilize EPDM, Neoprene, Hytrel™ and Urethane flexible elastomer sleeves to transmit torque and accommodate shaft misalignment. Sure-Flex Plus couplings have exceptional torsional flexibility, with the 4-way flexing action absorbing virtually all types of shock, vibration, misalignment and end float. Sure-Flex Plus couplings are an excellent choice when low cost, high flexibility, low vibration and easy installation are important.

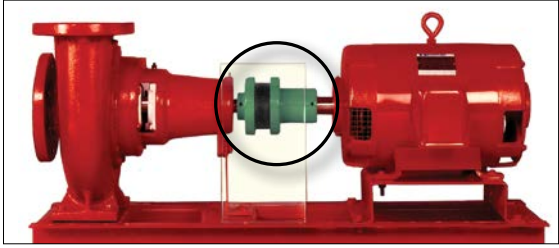
### Easy, Quick Installation

Sure-Flex Plus can be installed quickly and easily, thanks to its simple design with no bolts, gaskets, covers or seals. Alignment can be checked on the precision-machined flanges using only a straightedge and calipers. No special tools are needed for installation, alignment or removal.



### Features

- Up to 72,480 in.lbs.; 8.20 kNm
- Quick and easy installation
- Spacer, bushed hub, and clamping hub designs in stock
- Flexible design accommodates misalignment and protects equipment
- 7° to 21° torsional wind up
- Needs no lubrication, no maintenance



### No Lubrication, Trouble-Free Operation

The teeth of the sleeve lock into the teeth of the flanges without clamps or screws, tightening under torque to provide smooth transmission of power. Couplings are not affected by abrasives, dirt or moisture, eliminating the need for lubrication or maintenance and providing clean, dependable, quiet performance.

### Applications

Sure-Flex Plus couplings can be found hard at work in many industries. These couplings are ideal for a wide variety of applications including:

- Pumps
- Fans/Blowers
- Compressors
- Mixers
- Electric Motors
- Conveyors



## Sure-Flex Plus 4-Way flexing action absorbs all types of shock, vibration and misalignment



### Torsional

Sure-Flex Plus coupling sleeves have an exceptional ability to absorb torsional shock and dampen torsional vibrations. The EPDM and Neoprene sleeves wind up approximately 21° torsionally at their rated torque. Hytrel sleeves will wind up about 7°.



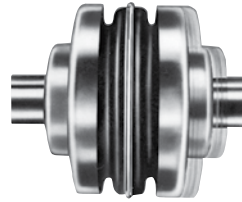
### Angular

The unique design of the Sure-Flex Plus coupling's teeth allows for the absorption of angular misalignment without wear. Refer to page F1-18 for misalignment limits. Angular alignment can be achieved using only a scale and calipers.



### Parallel

Parallel misalignment is absorbed without wear or appreciable energy loss. The lateral flexibility of the coupling sleeve minimizes radial bearing loads normally associated with parallel misalignment. This feature also allows for easier installation by the use of components bored for slip fits without fretting corrosion occurring at the shaft. Refer to page F1-18 for parallel misalignment limits. Only a straight-edge and feeler gage are required for parallel alignment.



### Axial

Sure-Flex Plus couplings may be used in applications with limited axial shaft movements. The axial compressibility of the EPDM and Neoprene sleeves allows for shaft end-float without the absolute transfer of thrust loads.

## Sure-Flex Plus SELECTION GUIDE

Use the Coupling Selector Program on [www.TBWoods.com/Select](http://www.TBWoods.com/Select)

Or follow these steps:

### Sure-Flex Plus couplings are selected as component parts.

1. Determine SLEEVE material and type.  
Refer to pages F1—4 & 5
2. Determine coupling SIZE.  
Refer to pages F1—6, 7, & 8
3. Determine FLANGES to be used.  
Refer to pages F1—9 thru 16

### Specify coupling components.

- Example #1 - Close coupled  
Size 6, Type S flange w 1-3/8 bore  
Size 6, Type S flange w 1" bore  
Size 6, Split EPDM sleeve
- Example #2 - 5" Between shaft spacer  
Size 9, Type SC flange for #11 hub  
Size 9, Type SC flange for #9 hub  
Size 11 Hub w 2-3/8 bore  
Size 9 Short hub w 1-1/8 bore  
Size 9 Solid Hytrel sleeve

PROD. NUMBER	PROD. DESCRIPTION
6S138	6Sx1-3/8
6S1	6Sx1
6JS	6JES
9SC5011	9SC50-11
9SC50	9SC50
11SCH238	11SCH x 2-3/8
9SCHS118	9SCHS x 1-1/8
9H	9H

# Sure-Flex Plus® Sleeve

## Selection

Sure-Flex Plus Sleeves are available in four materials and various shape configurations.

**New! Sure-Flex Plus EPDM and Neoprene sleeves have a 30% higher torque capacity.**

	EPDM	Neoprene	Hytrel	Urethane
<b>CONSTRUCTIONS AVAILABLE</b>				
1 pc, unsplit	JE	JN	H	U
1 pc, split	JES	JNS	-	-
2 pc, E/N w/ring	E	N	HS	-
<b>TYPICAL USE</b>	General Purpose	Oil Resist Non-flame	General Purpose	Stiffness
<b>REL. RATING</b>	1X	1X	3X	3X
<b>WIND-UP ANGULAR</b>	21°	21°	7°	3°
<b>MISALIGN</b>	1°	1°	1/4°	1/4°
<b>TEMPERATURE</b>				
maximum	+275°F/+135°C	+200°F/+93°C	+250°F/+121°C	+200°F/+93°C
minimum	-30°F/-34°C	-0°F/-18°C	-65°F/-54°C	-80°F/-62°C

## SURE-FLEX PLUS SLEEVES

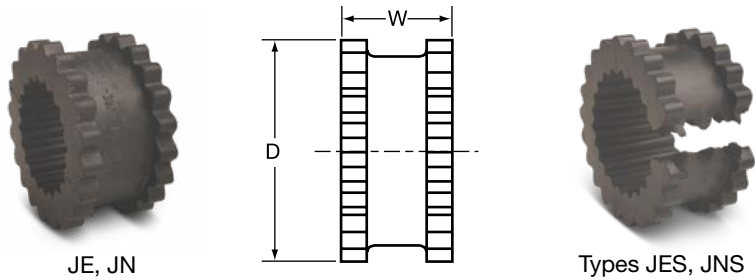
Part No.	Product Description
3J	3JE EPDM
4J	4JE EPDM
5J	5JE EPDM
6J	6JE EPDM
7J	7JE EPDM
8J	8JE EPDM
9J	9JE EPDM
10J	10JE EPDM
3JS	3JES EPDM Split
4JS	4JES EPDM Split
5JS	5JES EPDM Split
6JS	6JES EPDM Split
7JS	7JES EPDM Split
8JS	8JES EPDM Split
9JS	9JES EPDM Split
10JS	10JES EPDM Split
3JN	3JN Neoprene
4JN	4JN Neoprene
5JN	5JN Neoprene
6JN	6JN Neoprene
7JN	7JN Neoprene
8JN	8JN Neoprene
3JNS	3JNS Neoprene Split
4JNS	4JNS Neoprene Split
5JNS	5JNS Neoprene Split
6JNS	6JNS Neoprene Split
7JNS	7JNS Neoprene Split
8JNS	8JNS Neoprene Split

Part No.	Product Description
4	4E EPDM
5	5E EPDM
6	6E EPDM
7	7E EPDM
8	8E EPDM
9	9E EPDM
10	10E EPDM
11	11E EPDM
12	12E EPDM
13	13E EPDM
14	14E EPDM
16	16E EPDM
4N	4N Neoprene
5N	5N Neoprene
6N	6N Neoprene
7N	7N Neoprene
8N	8N Neoprene
9N	9N Neoprene
10N	10N Neoprene
11N	11N Neoprene
12N	12N Neoprene
13N	13N Neoprene
14N	14N Neoprene

Part No.	Product Description
6H	6H Hytrel
7H	7H Hytrel
8H	8H Hytrel
9H	9H Hytrel
10H	10H Hytrel
11H	11H Hytrel
12H	12H Hytrel
6HS	6HS Split Hytrel
7HS	7HS Split Hytrel
8HS	8HS Split Hytrel
9HS	9HS Split Hytrel
10HS	10HS Split Hytrel
11HS	11HS Split Hytrel
12HS	12HS Split Hytrel
13HS	13HS Split Hytrel
14HS	14HS Split Hytrel
10U	10U Urethane
11U	11U Urethane
12U	12U Urethane

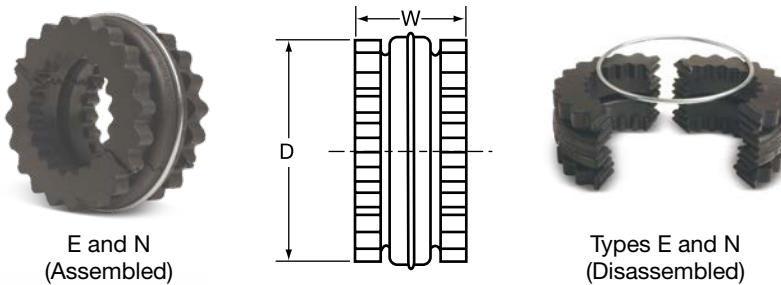
## Selection

Flexible sleeves for Wood's Sure-Flex Plus couplings are available in four materials (EPDM, Neoprene, HytreI and Urethane) and in three basic constructions. Characteristics of the materials are given on page F1—4 and the various types are shown and described here.



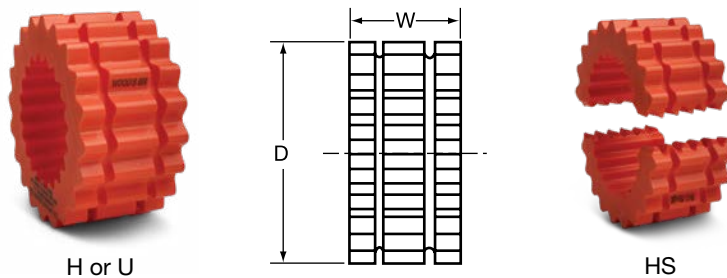
### JE-JES-JN-JNS

J sleeves are molded EPDM rubber (E) or Neoprene (N). They are available in one-piece solid construction (JE, JN) or one-piece split construction (JES, JNS). These sleeves may be used in any Sure-Flex Plus flange within a given size.



### E-N

These sleeves are of two-piece design with a retaining ring. They are available in either EPDM (E) or Neoprene (N). They may be used with any flange within a given size. Sleeves are shown here assembled and disassembled.



### H-HS-U

H (HytreI) and U (Urethane) sleeves, designed for high-torque applications, transmit four times as much power as an equivalent EPDM or Neoprene sleeve. Available in one-piece solid construction (H or U) or two-piece split construction (HS), these can be used only with S, C and SC flanges. They cannot be used with J or B flanges or as direct replacements for EPDM or Neoprene sleeves.

## DIMENSIONS (in.)

Coupling Size	JE, JES, JN & JNS Sleeves EPDM & Neoprene			E and N Sleeves EPDM & Neoprene			H, U & HS Sleeves HytreI & Urethane		
	D	W	Weight (lbs.)	D	W	Weight (lbs.)	D	W	Weight (lbs.)
3	1-7/8	1	.06						
4	2-5/16	1-1/4	.10	2-5/16	1-1/4	.11			
5	2-15/16	1-9/16	.20	2-15/16	1-9/16	.25			
6	3-3/4	1-7/8	.40	3-3/4	1-7/8	.49	3-3/4	1-7/8	.44
7	4-11/32	2-3/16	.62	4-11/32	2-3/16	.77	4-11/32	2-3/16	.69
8	5-1/16	2-1/2	1.13	5-1/16	2-1/2	1.4	5-1/16	2-1/2	1.4
9*	6	3	1.46	6	3	2.0	6	3	1.8
10*	7-1/16	3-7/16	2.32	7-1/16	3-7/16	3.2	7-1/16	3-7/16	2.9
11				8-3/16	4	5.1	8-3/16	4	4.5
12				9-9/16	4-11/16	8.1	9-9/16	4-11/16	7.3
13				11-3/16	5-1/2	13.0	11-3/16	5-1/2	11.8
14				13-3/32	6-1/2	21.1	13-3/32	6-1/2	19.3
16				17-29/32	8-3/4	45.3			

Sizes 13 and 14 HytreI available with HS sleeves only.

\*All 9J and 10J sleeves available in EPDM only.   Only sizes available in Urethane.



## Selection

### A. Select Load Symbol based on your driven machine.

Application	Load Symbol	Application	Load Symbol	Application	Load Symbol
AGITATORS—Paddle, Propeller, Screw . . . . .	L	DEWATERING SCREEN (sewage) . . . . .	M	MILLS	
BAND RESAW (lumber) . . . . .	M	DISC FEEDER . . . . .	L	Ball, Pebble, Rod, Tube, Rubber Tumbling . . .H	
BARGE HAUL PULLER . . . . .	H	DOUGH MIXER . . . . .	M	Dryer and Cooler . . . . .	M
BARKING (lumber) . . . . .	H	DRAW BENCH CONVEYOR and MAIN DRIVE . . . . .	H	MIXERS	
BAR SCREEN (sewage) . . . . .	L	DREDGES		Concrete, Muller . . . . .	M
BATCHES (textile) . . . . .	L	Cable Reel, Pumps . . . . .	M	Banbury . . . . .	H
BEATER AND PULPER (paper) . . . . .	M	Cutter Head Drive, Jig Drive, Screen Drive . .H		ORE CRUSHER . . . . .	H
BENDING ROLL (metal) . . . . .	M	Maneuvering and Utility Winch, Stacker . . .M		OVEN CONVEYOR . . . . .	L
BLEACHER (paper) . . . . .	L	DYNAMOMETER . . . . .	L	PLANER (metal or wood) . . . . .	M
BLOWERS		DRYERS (rotary) . . . . .	M	PRESSES	
Centrifugal, Vane . . . . .	L	EDGER (lumber) . . . . .	H	Brick, Briquette Machine . . . . .	H
Lobe . . . . .	M	ELEVATOR		Notching, Paper, Punch, Printing . . . . .	M
BOTTLING MACHINERY . . . . .	L	Bucket . . . . .	M	PUG MILL . . . . .	M
BREW KETTLES (distilling) . . . . .	L	Escalator . . . . .	L	PULP GRINDER (paper) . . . . .	H
BUCKET ELEVATOR OR CONVEYOR . . . . .	M	Freight, Passenger, Service, Man Lift . . . . .H		PULVERIZERS	
CALENDERS		ESCALATORS . . . . .	L	Hammermill—light duty, Roller . . . . .	M
Calendar (paper) . . . . .	M	EXTRUDER (metal) . . . . .	H	Hammermill—heavy duty, Hog . . . . .	H
Calendar-super (paper), Calender (rubber) . .H		FANS		PUMPS	
CANE KNIVES (sugar) . . . . .	M	Centrifugal . . . . .	L	Centrifugal, Axial . . . . .	L
CARD MACHINE (textile) . . . . .	H	Cooling Tower . . . . .	H	Gear, Lobe, Screw, Vane . . . . .	M
CAR DUMPERS . . . . .	H	Forced Draft, Large Industrial or Mine . . . .M		Reciprocating—sgl. or dbl. acting, cylinder . . . . .	*
CAR PULLERS . . . . .	M	FEEDERS		REEL, REWINDER (paper) CABLE . . . . .	M
CEMENT KILN . . . . .	H	Apron, Belt, Disc . . . . .	L	ROD MILL . . . . .	H
CENTRIFUGAL EQUIPMENT		Reciprocating . . . . .	H	SAWDUST CONVEYOR . . . . .	L
Blowers, Compressors, Fans, Pumps . . . . .L		Screw . . . . .	M	SCREENS	
CHEMICAL FEEDERS (sewage) . . . . .	L	FILTER, PRESS-OIL . . . . .	M	Air Washing, Water . . . . .	L
CHILLER (oil) . . . . .	M	GENERATORS		Rotary for coal or sand . . . . .	M
CHIPPER (paper) . . . . .	H	Uniform load . . . . .	L	Vibrating . . . . .	H
CIRCULAR RESAW (lumber) . . . . .	M	Varying load, Hoist . . . . .	M	SCREW CONVEYOR . . . . .	L
CLARIFIER or CLASSIFIER . . . . .	L	Welders . . . . .	H	SLAB CONVEYOR (lumber) . . . . .	M
CLAY WORKING MACHINERY . . . . .	M	GRIT COLLECTOR (sewage) . . . . .	L	SLITTERS (metal) . . . . .	M
COLLECTORS (sewage) . . . . .	L	GRIZZLY . . . . .	H	SOAPERS (textile) . . . . .	L
COMPRESSORS		HAMMERMILL		SORTING TABLE (lumber) . . . . .	M
Centrifugal, Gear, Lobe, Screw . . . . .	L	Light Duty, Intermittent . . . . .	M	SPINNER (textile) . . . . .	M
Reciprocating . . . . .	*	Heavy Duty, Continuous . . . . .	H	STOKER . . . . .	L
CONCRETE MIXERS . . . . .	M	HOISTS		SUCTION ROLL (paper) . . . . .	M
CONVERTING MACHINE (paper) . . . . .	M	Heavy Duty . . . . .	H	TENTER FRAMES (textile) . . . . .	M
CONVEYORS		Medium Duty . . . . .	M	TIRE BUILDING MACHINES . . . . .	H
Apron, Assembly Belt, Flight, Oven, Screw . .L		JORDAN (paper) . . . . .	H	TIRE & TUBE PRESS OPENER . . . . .	L
Bucket . . . . .	M	KILN, ROTARY . . . . .	H	TUMBLING BARRELS . . . . .	H
COOKERS—Brewing, Distilling, Food . . . . .L		LAUNDRY WASHER or TUMBLER . . . . .	H	WASHER and THICKENER (paper) . . . . .	M
COOLING TOWER FANS . . . . .	H	LINE SHAFTS . . . . .	L	WINCHES . . . . .	M
COUCH (paper) . . . . .	M	LOG HAUL (lumber) . . . . .	H	WINDERS, Paper, Textile, Wire . . . . .	M
CRANES and HOISTS . . . . .	M	LOOM (textile) . . . . .	M	WINDLASS . . . . .	M
Heavy Duty Mine . . . . .	H	MACHINE TOOLS, MAIN DRIVE . . . . .	M	WIRE	
CRUSHERS—Cane (sugar), Stone or Ore . . . .H		MANGLE (textile) . . . . .	L	Drawing . . . . .	H
CUTTER—Paper . . . . .	H	MASH TUBS (distilling) . . . . .	L	Winding . . . . .	M
CYLINDER (paper) . . . . .	H	MEAT GRINDER . . . . .	M	WOODWORKING MACHINERY . . . . .	L
		METAL FORMING MACHINES . . . . .	M		

\*Consult Factory

### B. Determine Service Factor using Load Symbol and driveR.

Load Symbol	L Light	M Medium	H Heavy
Standard AC Motor			
DC Shunt Motor	1.25	1.5	2.0
Engine, 8 or more cylinders			
High Torque AC Motor			
DC Series & Comp.	1.5	2.0	2.5
Engine, 4-6 cylinders			
Engine, 3 cylinders or less	2.0	2.5	3.0
Turbine	1.0	1.25	1.5

On applications involving varying torque loads, design around the maximum load. Then determine the resulting service factor at minimum load. If this value is greater than 5.2 for EPDM or Neoprene sleeves, or 4.0 for Hytrel sleeves, special coupling alignment will be required (see page F1—18).

**Caution:** Applications involving reciprocating engines and reciprocating driven devices are subject to rotational vibrational critical speeds which may destroy the coupling.

### C. Determine Size using Coupling Rating Tables

- For 860, 1160, 1750 or 3500 RPM, use table on page F1-8.
- For other speeds, find the coupling size by calculating HP rating @100 RPM:

$$\text{HP @ 100 RPM} = \text{HP} \times \text{Service Factor} \times 100 / \text{coupling RPM}$$

In the table below, choose a coupling with a HP@100 rating greater than calculated above.

Example:

For 4 HP @ 55 RPM and 1.25 Service Factor:

$$\text{HP @ 100} = 4 \times 1.25 \times 100 / 55 = 9.1$$

Use #11 EPDM or Neoprene or #9 Hytrel

Do not exceed a 5.2 Service Factor for EPDM or Neoprene sleeves, or 4.0 for Hytrel sleeves.

#### Online Selection Tools

Coupling selection program, 3-D CAD models, e-catalog, and interchange guide make selecting the right coupling simple!

[www.TBWoods.com/Couplings](http://www.TBWoods.com/Couplings)

**New! Sure-Flex Plus EPDM and Neoprene sleeves have a 30% higher torque capacity.**

### COUPLING RATINGS

Size	EPDM Sleeves	Neoprene Sleeves	HP @ RPM				Torque (in. lbs.)	Stiffness (in. lbs./rad)	Max RPM
			100	1160	1750	3500			
3	JE,JES	JN,JNS	0.1	1.4	2.2	4.3	78	229	9200
4	E,JE,JES	N,JN,JNS	0.2	2.9	4.3	8.7	156	458	7600
5	E,JE,JES	N,JN,JNS	0.5	5.7	8.7	17	312	916	7600
6	E,JE,JES	N,JN,JNS	0.9	11	16	32	585	1718	6000
7	E,JE,JES	N,JN,JNS	1.5	17	26	52	940	2769	5250
8	E,JE,JES	N,JN,JNS	2.3	27	41	82	1475	4335	4500
9	E,JE,JES	N	3.7	43	65	130	2340	6875	3750
10	E,JE,JES	N	5.9	69	104	208	3735	10980	3600
11	E	N	9.3	108	164	327	5890	17300	3600
12	E	N	15	172	260	-	9360	27500	2800
13	E	N	23	272	410	-	14750	43350	2400
14	E	N	37	431	650	-	23400	68755	2200
16	E	-	75	870	-	-	47250	180480	1500
Size	Hytrel Sleeves	Urethane Sleeves	HP @ RPM				Torque (in. lbs.)	Stiffness (in. lbs./rad)	Max RPM
			100	1160	1750	3500			
6	H, HS		2.9	33	50	100	1800	10000	6000
7	H, HS		4.6	53	80	160	2875	20000	5250
8	H, HS		7.2	84	126	252	4530	30000	4500
9	H, HS		11	132	200	400	7200	47500	3750
10	H, HS	U	18	209	315	630	11350	100000*	3600
11	H, HS	U	29	331	500	1000	18000	125000*	3600
12	H, HS	U	50	580	875		31500	225000*	2800
13	HS		75	870	1312		47268	368900	2400
14	HS		115	1334	2013		72480	593250	2200

\* Urethane values are 220000, 350000, and 600000.

# Sure-Flex Plus® Coupling

## Selection

### EPDM or NEOPRENE SLEEVES

860 RPM MOTORS						1160 RPM MOTORS						1750 RPM MOTORS						3500 RPM MOTORS					
HP	Service Factors					HP	Service Factors					HP	Service Factors					HP	Service Factors				
	1.0	1.25	1.5	2.0	2.5		1.0	1.25	1.5	2.0	2.5		1.0	1.25	1.5	2.0	2.5		1.0	1.25	1.5	2.0	2.5
0.5	3	3	3	3	4	0.5	3	3	3	3	3	0.5	3	3	3	3	3	0.5	3	3	3	3	3
0.75	3	3	3	4	4	0.75	3	3	3	4	4	0.75	3	3	3	3	3	0.75	3	3	3	3	3
1	3	4	4	4	5	1	3	3	4	4	4	1	3	3	3	3	4	1	3	3	3	3	3
1.5	4	4	5	5	5	1.5	4	4	4	5	5	1.5	3	3	4	4	4	1.5	3	3	3	3	3
2	4	5	5	5	6	2	4	4	5	5	5	2	3	4	4	4	5	2	3	3	3	3	4
3	5	5	6	6	6	3	5	5	5	6	6	3	4	4	5	5	5	3	3	3	4	4	4
5	6	6	6	7	7	5	5	6	6	6	7	5	5	5	5	6	6	5	4	4	4	5	5
7.5	6	7	7	8	8	7.5	6	6	7	7	8	7.5	5	6	6	6	7	7.5	4	5	5	5	6
10	7	7	8	8	9	10	6	7	7	8	8	10	6	6	6	7	7	10	5	5	5	6	6
15	8	8	9	9	10	15	7	8	8	9	9	15	6	7	7	8	8	15	5	6	6	6	7
20	8	9	9	10	10	20	8	8	9	9	10	20	7	7	8	8	9	20	6	6	6	7	7
25	9	9	10	10	11	25	8	9	9	10	10	25	7	8	8	9	9	25	6	6	7	7	8
30	9	10	10	11	11	30	9	9	10	10	11	30	8	8	9	9	10	30	6	7	7	8	8
40	10	10	11	11	12	40	9	10	10	11	11	40	8	9	9	10	10	40	7	7	8	8	9
50	10	11	11	12	12	50	10	10	11	11	12	50	9	9	10	10	11	50	7	8	8	9	9
60	11	11	12	12	13	60	10	11	11	12	12	60	9	10	10	11	11	60	8	8	9	9	10
75	11	12	12	13	13	75	11	11	12	12	13	75	10	10	11	11	12	75	8	9	9	10	10
100	12	12	13	13	14	100	11	12	12	13	13	100	10	11	11	12	12	100	9	9	10	10	11
125	12	13	13	14	14	125	12	12	13	13	14	125	11	11	12	12	13	125	9	10	10	11	11
150	13	13	14	14	16	150	12	13	13	14	14	150	11	12	12	13	13	150	10	10	11	11	-
200	13	14	14	16	16	200	13	13	14	14	16	200	12	12	13	13	14	200	10	11	11	-	-
250	14	14	16	16	16	250	13	14	14	16	16	250	12	13	13	14	14	250	11	11	-	-	-
300	14	16	16	16	16	300	14	14	16	16	16	300	13	13	14	14		300	11	-	-	-	-
350	16	16	16	16	-	350	14	16	16	16	16	350	13	14	14	-	-	350	-	-	-	-	-
400	16	16	16	-	-	400	14	16	16	16	16	400	13	14	14	-	-	400	-	-	-	-	-
450	16	16	-	-	-	450	16	16	-	-	-	450	14	-	-	-	-	450	-	-	-	-	-
500	16	16	-	-	-	500	16	16	-	-	-	500	14	-	-	-	-	500	-	-	-	-	-
600	16	-	-	-	-	600	16	-	-	-	-	600	-	-	-	-	-	600	-	-	-	-	-
700	-	-	-	-	-	700	-	-	-	-	-	700	-	-	-	-	-	700	-	-	-	-	-
800	-	-	-	-	-	800	-	-	-	-	-	800	-	-	-	-	-	800	-	-	-	-	-

### HYTREL or URETHANE SLEEVES

860 RPM MOTORS						1160 RPM MOTORS						1750 RPM MOTORS						3500 RPM MOTORS					
HP	Service Factors					HP	Service Factors					HP	Service Factors					HP	Service Factors				
	1.0	1.25	1.5	2.0	2.5		1.0	1.25	1.5	2.0	2.5		1.0	1.25	1.5	2.0	2.5		1.0	1.25	1.5	2.0	2.5
7-1/2	6	6	6	6	6	7-1/2	-	-	-	-	-	7-1/2	-	-	-	-	-	7-1/2	-	-	-	-	-
10	6	6	6	6	6	10	6	6	6	6	6	10	-	-	-	-	-	10	-	-	-	-	-
15	6	6	6	7	7	15	6	6	6	6	7	15	6	6	6	6	6	15	-	-	-	-	-
20	6	6	7	7	8	20	6	6	6	7	7	20	6	6	6	6	6	20	-	-	-	-	-
25	6	7	7	8	8	25	6	6	7	7	8	25	6	6	6	6	7	25	-	-	-	-	-
30	7	7	8	8	9	30	6	7	7	8	8	30	6	6	6	7	7	30	6	6	6	6	6
40	7	8	8	9	9	40	7	7	8	8	9	40	6	6	7	7	8	40	6	6	6	6	6
50	8	8	9	9	10	50	7	8	8	9	9	50	6	7	7	8	8	50	6	6	6	6	7
60	8	9	9	10	10	60	8	8	9	9	10	60	7	7	8	8	9	60	6	6	6	7	7
75	9	9	10	10	11	75	8	9	9	10	10	75	7	8	8	9	9	75	6	6	7	7	8
100	9	10	10	11	11	100	9	9	10	10	11	100	8	8	9	9	10	100	6	7	7	8	8
125	10	10	11	11	12	125	9	10	10	11	11	125	8	9	9	10	10	125	7	7	8	8	9
150	10	11	11	12	12	150	10	10	11	11	12	150	9	9	10	10	11	150	7	8	8	9	9
200	11	11	12	12	13	200	10	11	11	12	12	200	9	10	10	11	11	200	8	8	9	9	10
250	11	12	12	13	13	250	11	11	12	12	13	250	10	10	11	11	12	250	8	9	9	10	10
300	12	12	13	13	14	300	11	12	12	13	13	300	10	11	11	12	12	300	9	9	10	10	11
350	12	12	13	14	14	350	12	12	12	13	14	350	11	11	12	12	12	350	9	10	10	11	11
400	12	13	13	14	14	400	12	12	13	13	14	400	11	11	12	12	13	400	9	10	10	11	11
500	13	13	14	14	-	500	12	13	13	14	14	500	11	12	12	13	13	500	10	10	11	11	-
600	13	14	14	-	-	600	13	13	13	14	-	600	12	12	13	13	14	600	10	11	11	-	-
700	14	14	-	-	-	700	13	13	14	14	-	700	12	12	13	14	14	700	11	11	-	-	-
800	14	14	-	-	-	800	13	14	14	-	-	800	12	13	13	14	14	800	11	11	-	-	-
900	14	-	-	-	-	900	14	14	14	-	-	900	13	13	14	14	-	900	11	-	-	-	-
1000	-	-	-	-	-	1000	14	14	-	-	-	1000	13	13	14	14	-	1000	11	-	-	-	-

NOTE: Flange Bore capacity should be verified for selected coupling based on equipment shaft size

# Type J Sure-Flex Plus® BTS

## Selection For Close Coupled Applications

### FLANGES

Type J flanges sizes 3, 4 and 5 are manufactured of sintered carbon steel. The powdered metal manufacturing process provides high dimensional accuracy and uniform material properties for high strength. Size 6 is made of high strength cast iron.

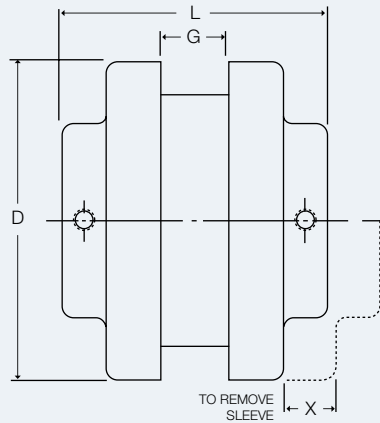
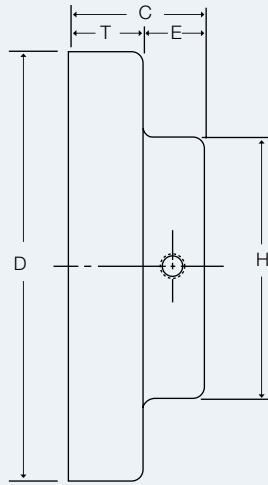
Flanges are bored-to-size for a slip fit on standard shafts. The outside face of the flange is precision machined, allowing the surface to be used to align the coupling without special tools.

Type J flanges can be used with EPDM and Neoprene sleeves. Each flange has a standard keyway, one setscrew over the keyway and one setscrew at 90° from the keyway.

### COUPLINGS

Spacing between internal flange hubs equals G. Spacing between shafts should be greater than 1/8 in. and less than L minus .85 times the sum of the two bore diameters.

To order couplings, refer to the part number examples on page F1-3. When specifying Type J flanges, the coupling and bore sizes accompany the flange symbol "J". For example, 3J x 1/2 is 3J12.



### DIMENSIONS (in.)

Size	Dimensions									Wt. (lbs.)	STOCK BORES*																					
	C	D	E	G	H	L	T	X	Inches											Max Bore	Millimeters											
									3/8		1/2	5/8	3/4	7/8	15/16	1	1-1/8	1-3/16	1-1/4		1-3/8	9	11	12	14	15	16	19	20	24	25	
3J	51/64	2.062	13/32	3/8	1-1/2	1-31/32	25/64	5/8	0.3	X	X	X	X	X								7/8	-	X	X	X	X	X	X	-	-	-
4J	55/64	2.500	27/64	43/64	1-5/8	2-25/64	7/16	5/8	0.4		X	X	X	X	X	X						1	-	-	-	X	X	X	X	X	X	X
5J	1-3/64	3.250	29/64	3/4	1-7/8	2-27/32	19/32	59/64	0.9		X	X	X	X	X	X	X					1-1/8	-	-	-	-	-	-	-	-	-	-
6J	1-5/16	4.000	9/16	7/8	2-1/2	3-1/2	3/4	1-3/32	1.2			X	X	X	X	X	X	X	X	X		1-3/8	-	-	-	-	-	-	-	-	-	-

■ Approximate weight for each flange.

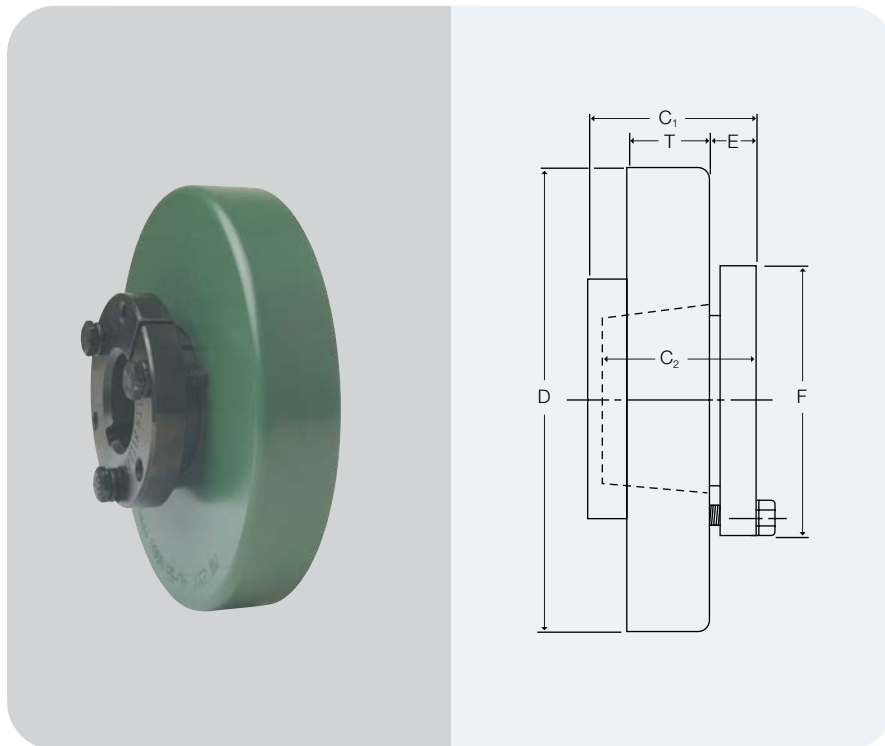
\* See page F1-10 for bore tolerances and page F1-13 for standard keyway dimensions.





# Type B Sure-Flex Plus® QD Bushed

## Selection For Close Coupled Applications



### FLANGES

Type B flanges are made of high-strength cast iron and are designed to accommodate Wood's Sure-Grip Bushings for easy installation and removal.

### BUSHINGS

Sure-Grip Bushings offer convenient mounting of the flange to the shaft securely without setscrews. They are tapered and are split through both the bushing flange and taper to provide a clamp fit, eliminating wobble, vibration and fretting corrosion. This is the same bushing used in Wood's sheaves and pulleys and is readily available everywhere.

### Dimensions (in.)

Size	Bushing Required	Dimensions									Max Bore*	Weight (lbs.) ■	
		C <sub>1</sub>	C <sub>2</sub>	D	E	F	G	L	T	X		Flange	Bushing
6B	JA	1-7/32	1	4.000	15/32	2	7/8	3-3/8	25/32	1-3/32	1-1/4	1.4	.8
7B	JA	1-5/8	1	4.625	15/32	2	1	3-1/2	25/32	1-5/16	1-1/4	1.9	.8
8B	SH	1-29/32	1-1/4	5.450	9/16	2-11/16	1-1/8	4-1/16	29/32	1-1/2	1-5/8	2.9	1.0
9B	SD	2-1/4	1-13/16	6.350	5/8	3-3/16	1-7/16	4-3/4	1-1/32	1-3/4	1-15/16	4.8	1.5
10B	SK	1-15/16	1-7/8	7.500	23/32	3-7/8	1-5/8	5-1/2	1-7/32	2	2-1/2	7.8	2.0
11B	SF	2-3/16	2	8.625	11/16	4-5/8	1-7/8	6-1/4	1-1/2	2-3/8	2-15/16	12.0	3.5
12B	E	2-23/32	2-5/8	10.000	29/32	6	2-5/16	7-1/2	1-11/16	2-11/16	3-1/2	18.0	9.0
13B	F	3-3/4	3-5/8	11.750	1-1/16	6-5/8	2-11/16	8-3/4	1-31/32	3	3-15/16	31.2	14.0
14B	F	3-3/4	3-5/8	13.875	1-1/16	6-5/8	3-1/4	9-7/8	2-1/4	3-1/2	3-15/16	51.4	14.0
16B	J	4-13/16	4-1/2	18.875	1-1/4	7-1/4	4-3/4	12-3/4	2-3/4	4-1/4	4-1/2	120.0	22.0

\* Maximum bore with keyseat.

■ Approximate weight for each flange.

# Type B Sure-Flex Plus® QD Bushed

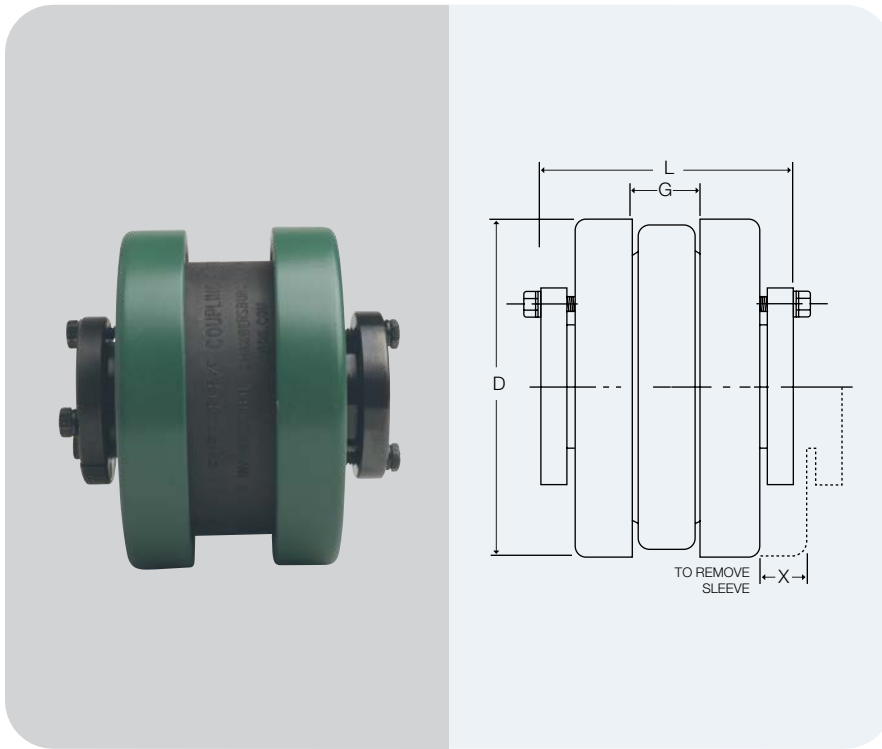
## Selection For Close Coupled Applications

### COUPLINGS

Type B Sure-Flex Plus Couplings can use EPDM or Neoprene sleeves. **Do not use Hytrel sleeves with Type B couplings.**

Spacing between internal flange hubs equals L minus 2 times C<sub>2</sub>. Spacing between shafts should be greater than 1/8 in. and less than G.

To order complete couplings, specify coupling size with flange symbol (B) and bushing. Refer to page F1-3 to order the required coupling. Refer to charts below for bushings.



### SURE-GRIP® BUSHING KEYSEAT DIMENSIONS (in.)

Bushing	Bores	Keyseat
<b>JA</b>	1/2 – 1	Standard ①
	1-1/16 – 1-3/16	1/4 x 1/16
	1-1/4	1/4 x 1/32
<b>SH</b>	1/2 – 1 3/8	Standard ①
	1-7/16 – 1 5/8	3/8 x 1/16
	1-11/16	No K.S.
<b>SD</b>	1/2 – 1-11/16	Standard ①
	1-3/4	3/8 x 1/8
	1-13/16	1/2 x 1/8
	1-7/8 – 1-15/16	1/2 x 1/16
<b>SK</b>	2	No K.S.
	1/2 – 2-1/8	Standard ①
	2-3/16 – 2-1/4	1/2 x 1/8
<b>J</b>	2-5/16 – 2 1/2	5/8 x 1/16
	2-9/16 – 2 5/8	No K.S.

Bushing	Bores	Keyseat
<b>SF</b>	1/2 – 2-1/4	Standard ①
	2-5/16 – 2-1/2	5/8 x 3/16
	2-9/16 – 2-3/4	5/8 x 1/16
	2-13/16 – 2-7/8	3/4 x 1/16
	2-15/16	3/4 x 1/32
<b>E</b>	7/8 – 2-7/8	Standard ①
	2-5/16 – 3-1/4	3/4 x 1/8
	3-5/16 – 3-1/2	7/8 x 1/16
<b>F</b>	1 – 3-1/4	Standard ①
	3-5/16 – 3-3/4	7/8 x 3/16
	3-13/16 – 3-15/16	1 x 1/8
	4	No K.S.
<b>J</b>	1-7/16 – 3-13/16	Standard ①
	3-7/8 – 3-15/16	1 x 3/8
	4 – 4-1/2	1 x 1/8

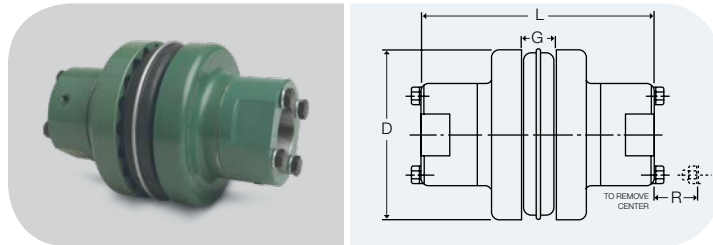
### ① Standard Keyseat Dimension

Shaft Dia.	Width	Depth
1/2 – 9/16	1/8	1/16
5/8 – 7/8	3/16	3/32
15/16 – 1-1/4	1/4	1/8
1-5/16 – 1-3/8	5/16	5/32
1-7/16 – 1-3/4	3/8	3/16
1-13/16 – 2-1/4	1/2	1/4
2-5/16 – 2-3/4	5/8	5/16
2-13/16 – 3-1/4	3/4	3/8
3-5/16 – 3-3/4	7/8	7/16
3-13/16 – 4-1/2	1	1/2
4-9/16 – 5-1/2	1-1/4	5/8
5-9/16 – 6-1/2	1-1/2	3/4



# Type SC Spacer Couplings BTS

## Selection Conventional Spacer Design



For other distances between shaft ends not shown here, please see page F1-16 or use the Coupling Selection Program at [www.TBWoods.com/Select](http://www.TBWoods.com/Select).

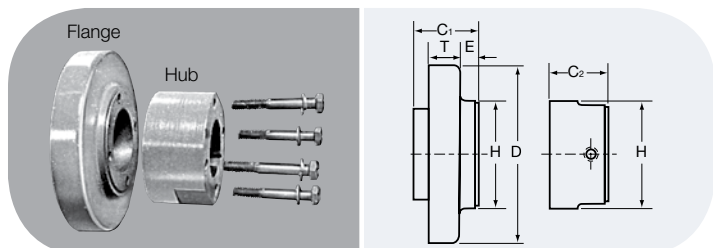
For dimensions of separate Type SC Spacer components, refer to page F1-15.

Coupling Size	Required Distance Between Shafts	Use Flange Number	Use Hub Number	Max Bore Std. KS	Dimensions				Weight (lbs.) ■
					D	L <sup>(2)</sup>	G	R	
4JSC	3-1/2	4JSC35	-	1-1/8 <sup>(1)</sup>	2.460	5-5/8	5/8	-	2.7
5SC	3-1/2	5SC35	5SCH	1-1/8	3.250	5-5/8	3/4	9/16	4.5
6SC	3-1/2	6SC35	6SCH-6SCHS	1-3/8	4.000	5-7/8	7/8	3/4	7.3
	4-3/8	6SC44	6SCH-6SCHS	1-3/8	4.000	6-3/4	7/8	3/4	8.1
7SC	5	6SC50	6SCH-6SCHS	1-3/8	4.000	7-3/8	7/8	3/4	8.7
	3-1/2	7SC35	7SCH-7SCHS	1-5/8	4.625	6-3/8	1	5/8	9.9
	4-3/8	7SC44	7SCH-7SCHS	1-5/8	4.625	7-1/4	1	5/8	10.8
8SC	5	7SC50	7SCH-7SCHS	1-5/8	4.625	7-7/8	1	5/8	11.4
	3-1/2	8SC35	8SCH-8SCHS	1-7/8	5.450	6-7/8	1-1/8	13/16	15.2
	4-3/8	8SC44	8SCH-8SCHS	1-7/8	5.450	7-3/4	1-1/8	13/16	16.4
	5	8SC50	8SCH-8SCHS	1-7/8	5.450	8-3/8	1-1/8	1-3/16	17.4
9SC	5	8SC50-10	10SCH-10SCHS	2-3/8	5.450	9-5/8	1-1/8	1-3/16	27.2
	3-1/2	9SC35	9SCH-9SCHS	2-1/8	6.350	7-1/2	1-7/16	1-1/16	18.6
	4-3/8	9SC44	9SCH-9SCHS	2-1/8	6.350	8-1/4	1-7/16	1-1/16	22.2
	5	9SC50	9SCH-9SCHS	2-1/8	6.350	8-7/8	1-7/16	1-1/16	23.2
	7	9SC50-11	11SCH-11SCHS	2-7/8	6.350	10-3/8	1-7/16	1-3/16	40.4
10SC	7-3/4	9SC70-11	11SCH-11SCHS	2-7/8	6.350	12-3/8	1-7/16	1-3/16	48.2
	5	10SC48	10SCH-10SCHS	2-3/8	7.500	9-3/8	1-5/8	1-3/16	37.6
	7	10SC50	10SCH-10SCHS	2-3/8	7.500	9-5/8	1-5/8	1-3/16	38.4
	7-3/4	10SC70-13	13SCH-13SCHS	3-3/8	7.500	13-5/8	1-5/8	1-7/8	72.0
	7-3/4	10SC78-13	13SCH-13SCHS	3-3/8	7.500	14-3/8	1-5/8	1-7/8	76.0
	10	10SC100-13	13SCH-13SCHS	3-3/8	7.500	16-5/8	1-5/8	1-7/8	88.0
11SC	4-3/4	11SC48	11SCH-11SCHS	2-7/8	8.625	10-5/16	1-7/8	1-3/16	54.5
	5	11SC50	11SCH-11SCHS	2-7/8	8.625	10-3/8	1-7/8	1-3/16	54.7
	7	11SC70-14	14SCH	3-7/8	8.625	14-5/8	1-7/8	2	86.1
	7-3/4	11SC78-14	14SCH	3-7/8	8.625	15-3/8	1-7/8	2	90.3
	10	11SC100-14	14SCH	3-7/8	8.625	17-5/8	1-7/8	2	102.7
12SC	7	12SC70	12SCH-12SCHS	2-7/8	10.000	12-7/8	2-5/16	1-1/2	88.1
	7-3/4	12SC70-14	14SCH	3-7/8	10.000	14-5/8	2-5/16	2	99.1
	7-3/4	12SC78	12SCH-12SCHS	2-7/8	10.000	13-5/8	2-5/16	1-1/2	91.9
	7-3/4	12SC78-14	14SCH	3-7/8	10.000	15-3/8	2-5/16	2	103.3
	10	12SC100-14	14SCH	3-7/8	10.000	17-5/8	2-5/16	2	115.7
13SC	7-3/4	13SC78	13SCH-13SCHS	3-3/8	11.750	14-3/8	2-11/16	1-7/8	129.6
14SC	7-3/4	14SC78	14SCH	3-7/8	13.875	15-3/8	3-1/4	2	179.9

■ Approximate weight for completely assembled spacer coupling.

<sup>(1)</sup> 4JSC35 x 1-1/8 has shallow keyseat. <sup>(2)</sup> "L" dimension and weight will change if one or two short (HS) hubs used.

Note: Refer to page F1-15 to order — specify components separately.



## TYPE SC FLANGES AND HUBS

Tables on page F1-15 provide dimensional information for flanges and hubs used for Spacer Couplings. For assembled dimensions, see table above. Any of the sleeves shown on page F1-5 may be used.

# Type SC Flanges And Hubs BTS

## Selection

## Conventional Spacer Design

ILLUSTRATION AND DIMENSIONAL DRAWINGS SHOWN AT BOTTOM OF PAGE F1 – 14.

Coupling Size	Flange Number	For Distance Between Shafts*	For Hub	Dimensions					Weight (lbs.) ■
				D	E	H	C <sub>1</sub>	T	
<b>4JSC</b>	4JSC35	3-1/8	①	2.460	2-1/16	2	2-1/2	7/16	1.3
<b>5SC</b>	5SC35	3-1/2	5SCH	3.250	51/64	2	1-11/16	19/32	1.3
<b>6SC</b>	6SC35	3-1/2	6SCH-6SCHS	4.000	19/32	2-1/2	1-5/8	23/32	2.0
	6SC44	4-3/8	6SCH-6SCHS	4.000	1-1/32	2-1/2	2-1/16	23/32	2.4
	6SC50	5	6SCH-6SCHS	4.000	1-11/32	2-1/2	2-3/8	23/32	2.7
<b>7SC</b>	7SC35	3-1/2	7SCH-7SCHS	4.625	15/32	2-13/16	1-5/8	25/32	2.5
	7SC44	4-3/8	7SCH-7SCHS	4.625	29/32	2-13/16	2-1/16	25/32	3.0
	7SC50	5	7SCH-7SCHS	4.625	1-7/32	2-13/16	2-3/8	25/32	3.3
<b>8SC</b>	8SC35	3-1/2	8SCH-8SCHS	5.450	9/32	3-1/4	1-5/8	29/32	3.7
	8SC35-10	3-1/2	10SCH-10SCHS	5.450	9/32	4-3/8	1-5/8	29/32	3.5
	8SC44	4-3/8	8SCH-8SCHS	5.450	23/32	3-1/4	2-1/16	29/32	4.3
	8SC50	5	8SCH-8SCHS	5.450	1-1/32	3-1/4	2-3/8	29/32	4.8
	8SC50-10	5	10SCH-10SCHS	5.450	1-1/32	4-3/8	2-3/8	29/32	5.5
<b>9SC</b>	9SC35	3-1/2	9SCH-9SCHS	6.350	1/16	3-5/8	1-11/16	1-1/32	4.1
	9SC44	4-3/8	9SCH-9SCHS	6.350	7/16	3-5/8	2-1/16	1-1/32	5.9
	9SC50	5	9SCH-9SCHS	6.350	3/4	3-5/8	2-3/8	1-1/32	6.4
	9SC50-11	5	11SCH-11SCHS	6.350	3/4	5-1/4	2-3/8	1-1/32	7.0
	9SC70-11	7	11SCH-11SCHS	6.350	1-3/4	5-1/4	3-3/8	1-1/32	10.9
	9SC78-11	7-3/4	11SCH-11SCHS	6.350	2-1/8	5-1/4	3-3/4	1-1/32	12.3
<b>10SC</b>	10SC48	4-3/4	10SCH-10SCHS	7.500	11/32	4-3/8	2-1/4	1-7/32	9.8
	10SC50	5	10SCH-10SCHS	7.500	15/32	4-3/8	2-3/8	1-7/32	10.2
	10SC70-13	7	13SCH-13SCHS	7.500	1-15/32	6-1/8	3-3/8	1-7/32	14.5
	10SC78-13	7-3/4	13SCH-13SCHS	7.500	1-27/32	6-1/8	3-3/4	1-7/32	16.5
	10SC100-13	10	13SCH-13SCHS	7.500	2-31/32	6-1/8	4-7/8	1-7/32	22.5
<b>11SC</b>	11SC48	4-3/4	11SCH-11SCHS	8.625	1/32	5-1/4	1-1/2	1-1/2	12.5
	11SC50	5	11SCH-11SCHS	8.625	1/16	5-1/4	1-9/16	1-1/2	12.6
	11SC70-14	7	14SCH	8.625	1-1/16	6-1/2	2-9/16	1-1/2	16.3
	11SC78-14	7-3/4	14SCH	8.625	1-7/16	6-1/2	2-15/16	1-1/2	18.4
	11SC100-14	10	14SCH	8.625	2-9/16	6-1/2	4-1/16	1-1/2	24.6
<b>12SC</b>	12SC70	7	12SCH-12SCHS	10.000	21/32	5-3/4	2-15/32	1-11/16	23.4
	12SC70-14	7	14SCH	10.000	21/32	6-1/2	2-15/32	1-11/16	21.3
	12SC78	7-3/4	12SCH-12SCHS	10.000	1-1/32	5-3/4	2-27/32	1-11/16	25.3
	12SC78-14	7-3/4	14SCH	10.000	1-1/32	6-1/2	2-27/32	1-11/16	23.4
	12SC100-14	10	14SCH	10.000	2-5/32	6-1/2	3-31/32	1-11/16	29.6
<b>13SC</b>	13SC78	7-3/4	13SCH-13SCHS	11.750	9/16	6-1/8	3-1/4	1-31/32	38.4
<b>14SC</b>	14SC78	7-3/4	14SCH	13.875	1/32	6-1/2	2-23/32	2-1/4	55.2

\* Flanges can be mixed to form different Between-Shaft Dimensions. See chart page F1 – 16. ■ Approximate weight for each flange.

Coupling Size	Hub Number	Max Bore	STOCK BORES *		Dimensions			Weight (lbs.) ■
			Plain Bore	Bore with Standard Keyseat & Set Screw	C <sub>2</sub>	H	Cap Screws Furnished	
<b>4JSC</b>	①	1-1/8	-	5/8 – 7/8 – 1 – 1-1/8* ①	1-1/16	2	-	-
<b>5SC</b>	<b>5SCH</b>	1-1/8	1/2	5/8 – 3/4 – 7/8 – 1 – 1-1/8	1-3/32	2	4 – 10 x 1-1/2	.8
<b>6SC</b>	<b>6SCH</b>	1-3/8	5/8	3/4 – 7/8 – 1 – 1-1/8 – 1-1/4 – 1-3/8	1-7/32	2-1/2	4 – 1/4 x 1-3/4	1.4
	<b>6SCHS</b>	7/8	-	7/8	31/32	2-1/2	4 – 1/4 x 1-1/2	1.1
<b>7SC</b>	<b>7SCH</b>	1-5/8	5/8	7/8 – 1 – 1-1/8 – 1-3/8 – 1-1/2 – 1-5/8	1-15/32	2-13/16	4 – 1/4 x 1-7/8	2.0
	<b>7SCHS</b>	7/8	-	7/8	1-3/32	2-13/16	4 – 1/4 x 1-1/2	1.5
<b>8SC</b>	<b>8SCH</b>	1-7/8	3/4	7/8 – 1 – 1-1/8 – 1-3/8 – 1-1/2 – 1-5/8 – 1-3/4 – 1-7/8	1-23/32	3-1/4	4 – 5/16 x 2-1/4	3.2
	<b>8SCHS</b>	7/8	-	7/8	1-7/32	3-1/4	4 – 5/16 x 1-3/4	2.0
<b>9SC</b>	<b>9SCH</b>	2-1/8	7/8	1 – 1-1/8 – 1-3/8 – 1-1/2 – 1-5/8 – 1-3/4 – 1-7/8 – 2-1/8	1-31/32	3-5/8	4 – 3/8 x 2-3/4	4.2
	<b>9SCHS</b>	1-1/2	-	1-1/8	1-17/32	3-5/8	4 – 3/8 x 2-1/4	3.7
<b>10SC</b>	<b>10SCH</b>	2-3/8	1-1/8	1-5/8 – 1-7/8 – 2-1/8 – 2-3/8	2-11/32	4-3/8	4 – 7/16 x 3-1/4	7.4
	<b>10SCHS</b>	1-5/8	-	1-1/8	1-21/32	4-3/8	4 – 7/16 x 2-1/2	5.5
<b>11SC</b>	<b>11SCH</b>	2-7/8	1-1/8	1-7/8 – 2-1/8 – 2-3/8 – 2-7/8	2-23/32	5-1/4	4 – 1/2 x 3-1/2	12.2
	<b>11SCHS</b>	1-7/8	-	1-1/8 – 1-5/8	1-29/32	5-1/4	4 – 1/2 x 2-3/4	9.3
<b>12SC</b>	<b>12SCH</b>	2-7/8	1-3/8	2-1/8 – 2-3/8 – 2-7/8	2-31/32	5-3/4	4 – 5/8 x 4	16.6
	<b>12SCHS</b>	2-1/2	-	2-3/8	2-17/32	5-3/4	4 – 5/8 x 3-1/2	14.1
<b>13SC</b>	<b>13SCH</b>	3-3/8	1-3/8	2-3/8 – 2-7/8 – 3-3/8	3-11/32	6-1/8	4 – 5/8 x 4-1/2	19.9
	<b>13SCHS</b>	2-1/2	-	2-1/8 – 2-3/8	2-15/32	6-1/8	4 – 5/8 x 3-1/2	16.0
<b>14SC</b>	<b>14SCH</b>	3-7/8	1-5/8	2-3/8 – 2-7/8 – 3-3/8 – 3-7/8	3-27/32	6-1/2	4 – 5/8 x 5	24.2

① FOR 4JSC the hub is an integral part of the flange. 4JSC x 1-1/8 has 1/4 x 1/16 shallow keyseat.

\* See page F1 – 10 for bore tolerances and page F1 – 13 for standard keyseat dimensions.

② If using 10SCHS hub, 7/16-14NC x 2-1/4 long capscrew needed (not furnished).

■ Approximate weight for each hub.

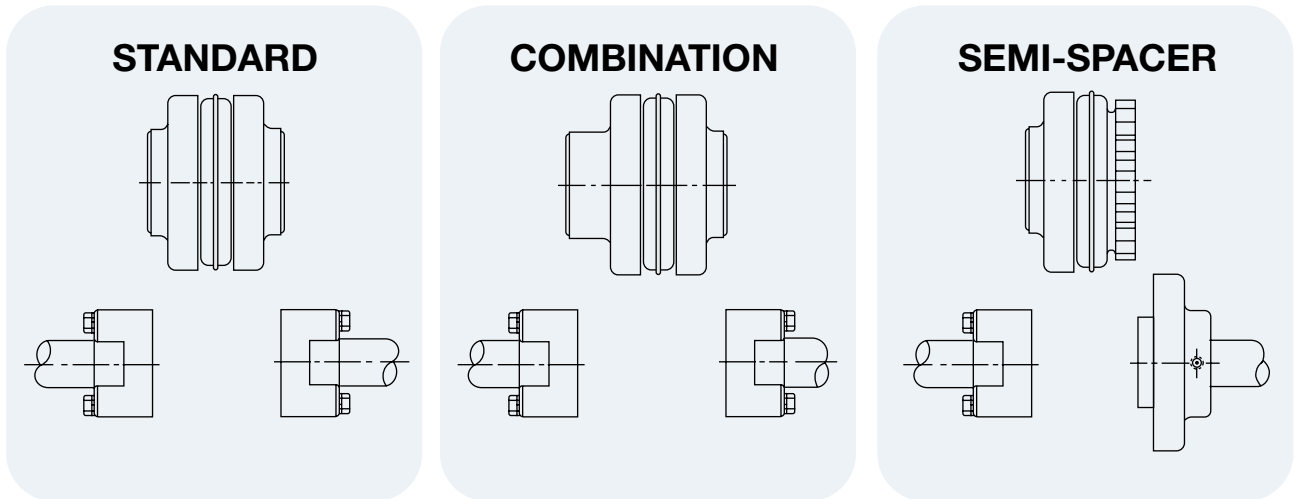
# Between Shaft Spacings

## Selection

Spacer couplings are available for most popular Distance Between Shaft Ends (DBSE) dimensions. Other spacings can be achieved by mixing flanges.

The “Standard” column provides spacings using identical flanges; the “Combination” column mixes flanges; the column headed “Semi-Spacer” uses one flange that is not made for spacer coupling applications and thus does not have a detachable hub.

To select couplings for various DBSEs, please see our Coupling Selector Program at [www.TBWoods.com/Select](http://www.TBWoods.com/Select)



STANDARD	
Spacing	Use Flanges*
3-1/2	2(-) SC35
4-3/8	2(-) SC44
5	2(-) SC50
7	2(-) SC70
7-3/4	2(-) SC78
10	2(-) SC100

COMBINATION	
Spacing	Use Flanges*
3-15/16	SC35 & SC44
4-1/4	SC35 & SC50
4-11/16	SC44 & SC50
5-1/4	SC35 & SC70
5-5/8	SC35 & SC78
5-11/16	SC44 & SC70
6	SC50 & SC70
6-1/16	SC44 & SC78
6-3/8	SC50 & SC78
6-3/4	SC35 & SC100**
7-3/16	SC44 & SC100**
7-3/8	SC70 & SC78
7-1/2	SC50 & SC100
8-1/2	SC70 & SC100
8-7/8	SC78 & SC100

SEMI-SPACER	
Spacing	Use Flanges*
1-7/8	S & SC35
2-5/16	S & SC44
2-5/8	S & SC50
3-5/8	S & SC70
4	S & SC78
5-1/8	S & SC100

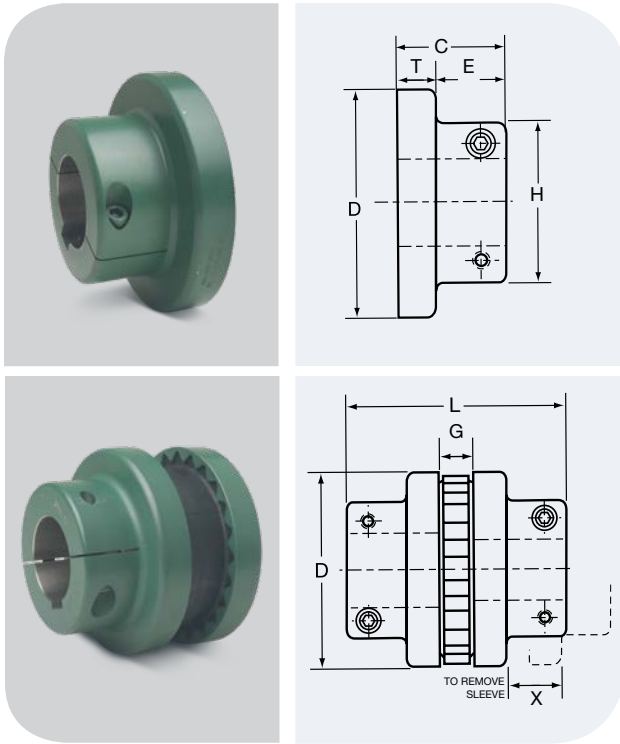
\* Check individual coupling size for flange availability.

\*\* Non-Stock

Note: Other combinations available — consult factory or see [www.TBWoods.com/Select](http://www.TBWoods.com/Select)

## Selection Dimensions

### CLAMP HUB – SPACER DESIGN



### FLANGES

Sure-Flex Plus® Type C Clamp Hub flanges employ integral locking collars and screws to assure a secure shaft connection without marring the shaft surface. One setscrew is furnished over the key. The clamp hub flange is often used in applications that require easy seal replacement on equipment using face seals, as the clamp hub eliminates the need for a second set screw at 90 degrees from the key.

### COUPLINGS

Type C Clamp Hub Couplings can use all sleeve types shown on page F1-5. Type C couplings may often be used where spacer couplings are required.

Spacing between internal flange hubs equals G.

To order complete couplings, specify coupling size with flange symbol (C), giving bore required. Refer to page F1-3 to order the required coupling.

### DIMENSIONS (in.)

Flange Size	Stock Bores	Min Bore	Maximum Bore		Distance Between Shafts		Dimensions							Weight (lbs.)*
			Standard Keyseat	Shallow Keyseat	Min	Max	C	D	E	G	H	L	X	
6C	1-1/8, 1-7/8, 40mm	7/8	1-5/8	1-7/8	2	2 -3/4	1-15/16	4.000	1.16	7/8	3	4-3/4	1	2.6
7C	1-3/8, 1-7/8, 35mm, 40mm	1-1/8	1-7/8		2-5/16	3-7/16	2-3/16	4.625	1.41	1-1/16	3-1/4	5-7/16	1-3/16	3.6
8C	1-3/8, 1-5/8, 1-3/4, 1-7/8, 2-1/8, 2-1/4, 2-3/8, 40mm	1-3/8	2-1/4	2-3/8	2-9/16	4	2-1/2	5.450	1.59	1-1/8	3-7/8	6-1/8	1-3/8	6.5
9C	1-5/8, 1-3/4, 1-7/8, 2, 2-1/8, 2-1/4, 2-3/8, 2-1/2	1-5/8	2-1/2	2-11/16	3-1/16	4-5/8	3	6.350	1.97	1-7/16	4-1/4	7-7/16	1-9/16	9.8
10C	1-5/8, 1-7/8, 2-1/4, 2-3/8, 2-1/2	1-5/8	2-7/8		3-9/16	5-1/4	3-1/2	7.500	2.28	1-11/16	5	8-11/16	1-13/16	16.6
11C	2-1/8, 2-3/8, 2-1/2	1-7/8	3-3/8		4-1/8	5-7/8	4	8.625	2.5	1-7/8	5-3/8	9-7/8	2-1/8	26.0
12C	2-1/8	1-7/8	3-3/8		4-7/8	6-1/2	4-3/8	10.000	2.69	2-3/8	6	11-1/8	2-3/8	38.3

For Standard keyseat dimensions, see chart page F1 – 13. \* Approximate weight of one flange.

### Bore Tolerances for Type C Flanges

These bores provide a slip fit.

Bore (in.)	Tolerance (in.)
Up to and including 2"	+0.0005 to +0.0015
Over 2"	+0.0005 to +0.0020

### Shallow Keyseat Dimensions

Some large bore Type C flanges are supplied with shallow keyseats. In these cases, a rectangular key is furnished. The flanges and bores involved are as follows:

Size	Bore Range	KS	Key Furnished
6C	1- 11 /16 to 1 -7/8	1/2 X 1/16	1/2 x 5/16 x 1-7/8
8C	2-5/16 to 2 -3/8	5/8 x 1/16	5/8 x 3/8 x 2-1/ 2
9C	2-7/16 to 2-11/16	5/8 x 3/16	5/8 x 1/2 x 3

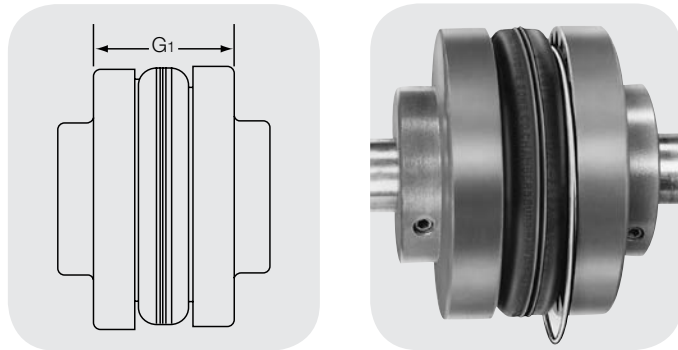
# Sure-Flex Plus® Couplings

## Installation Instructions

### Installation Instructions

Sure-Flex Plus flanges (outer metallic parts) and sleeves (inner elastomeric elements) come in many sizes and types. First, determine the size and type of components being used. Check maximum RPM values in the table below against operating speed. Remove all components from their boxes, and loosely assemble the coupling on any convenient surface. ((If using a two-piece E or N sleeve, do not install the wire ring at this time.)

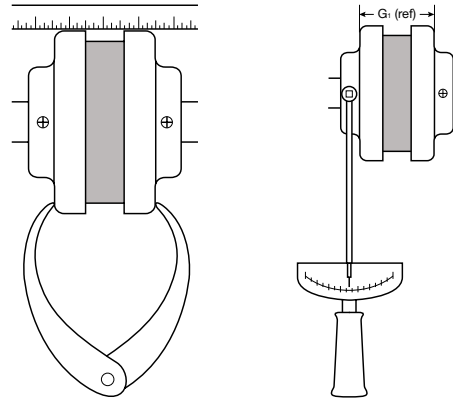
- 1 Inspect all coupling components and remove any protective coatings or lubricants from bores, mating surfaces and fasteners. Remove any existing burrs, etc. from the shafts.
- 2 Slide one coupling flange onto each shaft using keys where required. When using Type B flanges, follow the instructions furnished with the Sure-Grip bushings.
- 3 Position the flanges on the shafts to approximately achieve the  $G_1$  dimension shown in the table. It is usually best to have an equal length of shaft extending into each flange. Move one flange to its final position. Torque fasteners to proper values. Slide the other flange far enough away to install the sleeve. With a two-piece sleeve, do not move the wire ring to its final position; allow it to hang loosely in the groove adjacent to the teeth.



4 Slide the loose flange on the shaft until the sleeve is completely seated in the teeth of each flange. (The " $G_1$ " dimension is for reference and not critical.) Secure the flange to the shaft. Different coupling sleeves require different degrees of alignment precision. Locate the alignment values for your sleeve size and type in the table.

5 Check parallel alignment by placing a straight-edge across the two coupling flanges and measuring the maximum offset at various points around the periphery of the coupling without rotating the coupling. If the maximum offset exceeds the figure shown under "Parallel" in the table, realign the shafts.

6 Check angular alignment with a caliper. Measure from the outside of one flange to the outside of the other at intervals around the periphery of the coupling. Determine the maximum and minimum dimensions without rotating the coupling. The difference between the maximum and minimum must not exceed the figure given under "Angular" in the table. If a correction is necessary, be sure to recheck the parallel alignment.



### MAXIMUM RPM AND ALLOWABLE MISALIGNMENT

(Dimensions in inches)

Sleeve Size	Maximum RPM	$G_1$ (ref)	Types JE, JN, JES, JNS, E & N		*Type H, HS, Urethane	
			Parallel	Angular	Parallel	Angular
3	9200	1.2	.010	.035		
4	7600	1.5	.010	.043		
5	7600	1.9	.015	.056		
6	6000	2.4	.015	.070	.010	.016
7	5250	2.6	.020	.081	.012	.020
8	4500	2.9	.020	.094	.015	.025
9	3750	3.5	.025	.109	.017	.028
10	3600	4.1	.025	.128	.020	.032
11	3600	4.9	.032	.151	.022	.037
12	2800	5.7	.032	.175	.025	.042
13	2400	6.7	.040	.195	.030	.050
14	2200	7.8	.045	.242	.035	.060
16	1500	10.3	.062	.330		

**Note:** When using a VFD with a centrifugal pump or fan, reduce the above values by 1/2.

**\*Type H and HS sleeves should never be used as direct replacements for EPDM or Neoprene sleeves.**

7 If the coupling employs the two-piece sleeve with wire ring, move the ring into its groove in the center of the sleeve. If necessary, use soapy water and lever the ring with a blunt tool.

8 Install coupling guards per OSHA requirements.

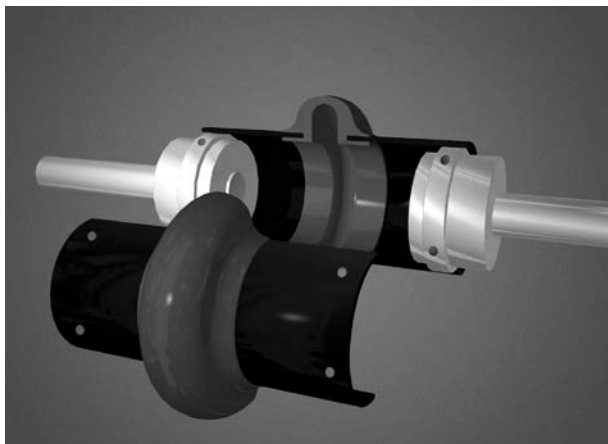
**CAUTION:** Coupling sleeves may be thrown from the coupling assembly with substantial force if subjected to a severe shock load.

# Dura-Flex® Couplings

## F2



Patent No. 5,611,732



The specially designed split-in-half element can be easily replaced without moving any connected equipment.

## FEATURES

- Designed from the ground up using finite element analysis to maximize flex life.
- Easy two piece element installation. No need to move the hubs during replacement.
- One spacer size to handle most different between shaft spacings.
- Light weight element absorbs shock loading and torsional vibration.
- Same hubs used on both spacer and standard elements.
- No lubrication.
- Good chemical resistance.
- Stock bore-to-size (BTS), Sure-Grip bushed (QD) and Taper-Lock® bushed (TL) Hubs.

® Taper-Lock is a registered trade name of Rockwell Automation-Dodge.

# Dura-Flex® Coupling

## Selection

### A. Determine the Prime Mover Classification

Prime Mover	Class
• Electric Motors (Standard duty), Hydraulic Motors, Turbines	A
• Gasoline or Steam Engines (4 or more cylinders)	B
• Diesel or Gas Engines, High Torque Electric Motors	C

### B. Determine the Load Characteristics and the Service Factor

Typical Applications	Load	Characteristics	Prime Mover Class		
			A	B	C
Agitators (pure liquids), Blowers (centrifugal), Can and Bottle Filling Machines, Conveyors - uniformly loaded or fed (belt, chain, screw), Fans (centrifugal), Generators (uniform load), Pumps (centrifugal), Screens (air washing, water), Stokers (uniform load), Woodworking Machines (planers, routers, saws)	Uniform	Even loads - no shock - non reversing - infrequent starts (up to 10 per hour) - low starting torques	1.0	1.5	2.0
Beaters, Blowers (lobe, vane), Compressors (centrifugal, rotary), Conveyors - non uniformly loaded or fed (belt, bucket, chain, screw), Dredge Pumps, Fans (forced draft, propeller), Kilns, Paper Mills (calendars, converting machines, conveyors, dryers, mixers, winders), Printing Presses, Pumps (gear, rotary), Shredders, Textile Machinery (dryers, dyers)	Moderate shock	Uneven loads – moderate shock – infrequent reversing – moderate torques	1.5	2.0	2.5
Cranes (bridge, hoist, trolley), Fans (cooling tower), Generators (welding), Hammer Mills, Mills (ball, pebble, rolling, tube, tumbling), Pumps (oil well), Wire Drawing Machines	Heavy shock	Uneven loads - heavy shock - frequent starts and stops - high starting torques -high inertia peak loads	2.0	2.5	3.0

**Note:** The above applications depict the generally accepted conditions encountered in industry. Conditions subject to extreme temperatures, abrasive dusts, corrosive liquids, excessively high starting torques, etc., must be considered as extra heavy shock loads. These conditions will increase service factors. Consult TB Wood's for these selections.

### C. Calculate Design Horsepower or Design Torque

- If Prime Mover is a 1160, 1750, or 3500 rpm motor.  
Design Hp = Prime Mover HP x Service Factor  
Go to page F2—3 and reference the corresponding motor rpm column.
- If Prime Mover is not one of the three speeds listed above.  
Design HP @ 100 rpm = (Primer Mover Hp x Service Factor x 100) / Coupling RPM  
Go to page F2—3 and reference HP @ 100 RPM column.
- If Using Prime Mover Torque  
Design Torque = Prime Mover Torque x Service Factor  
Go to page F2—3 and reference Torque column.

### D. Select Coupling (DURA-FLEX Couplings are sold by component)

A DURA-FLEX Assembly consists of one element (STD or Spacer) and two hubs (BTS or QD). Optional high speed rings may also be ordered for spacer elements. Below is an ordering example for Dura-Flex Couplings.

	Part #	Description	Size 20 Example
Element (1)	WE2 - WE80	Standard element, sizes 2 through 80	WE20
	WES2 - WES80	Spacer element, sizes 2 through 80	WES20
Hubs (2)	WE[2-80] x Bore	BTS hubs - stock bore (specify bore size)	WE20H138
	WE[4-80] - Bushing	QD hubs (sizes 4 through 80, bushing not included)	WE20H
	WE[3-80] - TL Bushing	TL hubs (sizes 3 through 80, bushing not included)	WE20HTL
HS Rings (1)	WE[20-80]R	High speed rings - sizes 20-80 (standard for sizes 2-10)	WE20R



### COUPLING RATINGS (STD & SPACER)

Coupling Size	HP@RPM				Torque (IN LBS)	Stiffness in lbs/Radian	Maximum RPM		Max. Misalignment	
	100	1160	1750	3500			Standard	Spacer	Parallel	Angular
<b>WE2</b>	.30	3.5	5.3	11	190	3170	7500	7500	1/16	4°
<b>WE3</b>	.58	6.7	10	20	365	4710	7500	7500	1/16	4°
<b>WE4</b>	.88	10	15	31	550	5370	7500	7500	1/16	4°
<b>WE5</b>	1.5	17	26	51	925	9820	7500	7500	1/16	4°
<b>WE10</b>	2.3	27	40	81	1450	15800	7500	7500	1/16	4°
<b>WE20</b>	3.7	42	64	128	2300	27600	6600	4800	3/32	3°
<b>WE30</b>	5.8	67	101	203	3650	42200	5800	4200	3-32	3°
<b>WE40</b>	8.9	101	153	305	5500	65200	5000	3600	3/32	3°
<b>WE50</b>	12	141	212	425	7650	123000	4200	3100	3-32	3°
<b>WE60</b>	20	230	347	694	12500	167000	3800	2800	1/8	2°
<b>WE70</b>	35	407	615	1229	22125	205000	3600	2600	1/8	2°
<b>WE80</b>	63	727	1097	2195	39500	305000	2000	1800	1/8	2°

\*Maximum spacer RPM = Maximum standard RPM if using optional high speed rings. Operating temperature range is -40 F to 200 F.

### BTS HUBS - STOCK BORES

Bore Size	Bore Designation*	WE2H	WE3H	WE4H	WE5H	WE10H	WE20H	WE30H	WE40H	WE50H	WE60H	WE70H	WE80H
1/2	<b>12</b>	OS	OS										
5/8	<b>58</b>	X	X	OSX									
3/4	<b>34</b>	XS	XS		OS								
7/8	<b>78</b>	XS	XS	XS	X	OS	OS						
15/16	<b>15/16</b>			X									
1	<b>1</b>	XS	XS	XS	X	X	X	OS	OS				
1-1/16	<b>1116</b>				X								
1-1/8	<b>118</b>	XS	XS	XS	XS	XS	XS	X		O	O		
1-3/16	<b>1316</b>			X	X								
1-1/4	<b>114</b>		XS	X	X	X	XS						
1-5/16	<b>1516</b>			X	X								
1-3/8	<b>138</b>		XS	XS	XS	XS	XS	XS				O	
1-7/16	<b>1716</b>			X	X	X							
1-1/2	<b>112</b>			X	X	X	XS	XS	XS				
1-9/16	<b>1916</b>			X									
1-5/8	<b>158</b>			XS	XS	XS	XS	XS	XS				
1-11/16	<b>11116</b>			X	X	X	X	X					
1-3/4	<b>134</b>				X	X	XS	XS	XS	X			
1-7/8	<b>178</b>				XS	XS	XS	XS	XS	X			O
1-15/16	<b>11516</b>					X	X						
2	<b>2</b>					S	X	XS					
2-1/8	<b>218</b>					X	XS	XS	X	X	X		
2-3/16	<b>2316</b>						X						
2-1/4	<b>214</b>						XS	XS	X	X			
2-3/8	<b>238</b>						XS	XS	XS	X	X	X	
2-1/2	<b>212</b>							XS	X				
2-5/8	<b>258</b>											X	
2-3/4	<b>234</b>							XS	XS				
2-7/8	<b>278</b>							XS	XS	X	X	X	X
3-3/8	<b>338</b>								XS	X	X	X	X
3-3/4	<b>334</b>												X
3-7/8	<b>378</b>										X	X	X
4	<b>4</b>										X		
4-3/8	<b>438</b>											X	
4-7/8	<b>478</b>												X
<b>MAX BORE</b>		1-1/8	1-3/8	1-11/16	1-7/8	2-1/8	2-3/8	2-7/8	3-3/8	3-5/8	4	4-1/2	6

O NO KEYSEAT

X STANDARD KEYSEAT

S STEEL HUB OPTION

MAX. BORE INCLUDES STANDARD KEYSEAT

\* **PRODUCT NUMBER EXAMPLE** → WE5H114 for WE5 x 1-1/4 HUB  
WE5HS118 for WE5 x 1-1/8 STEEL HUB

### BORE TOLERANCES (BTS)

BORE SIZE	TOLERANCE
UP TO AND INCLUDING 2"	+ .0005 to + .0015
OVER 2"	+ .0005 to + .0020



# Dura-Flex® BTS Couplings

## Dimensions

### Assembly Dimensions for BTS Couplings.

(All dimensions in inches) Minimum Shaft Spacing = .25"

### Dimensions Common to BTS Standard and Spacer Assemblies

SIZE	A	B	C	Max. Bore
WE2 & WES2	3.70	1.85	0.94	1-1/8
WE3 & WES3	4.24	2.32	1.50	1-3/8
WE4 & WES4	4.52	2.60	1.69	1-11/16
WE5 & WES5	5.40	3.13	1.75	1-7/8
WE10 & WES10	6.48	3.65	1.88	2-1/8
WE20 & WES20	7.36	4.48	2.06	2-3/8
WE30 & WES30	8.41	5.42	2.31	2-7/8
WE40 & WES40	9.71	6.63	2.50	3-3/8
WE50 & WES50	11.34	8.13	2.75	3-5/8
WE60 & WES60	12.53	8.75	3.25	4
WE70 & WES70	14.00	9.25	3.62	4-1/2
WE80 & WES80	16.00	11.30	4.98	6

### Standard Element Assembly

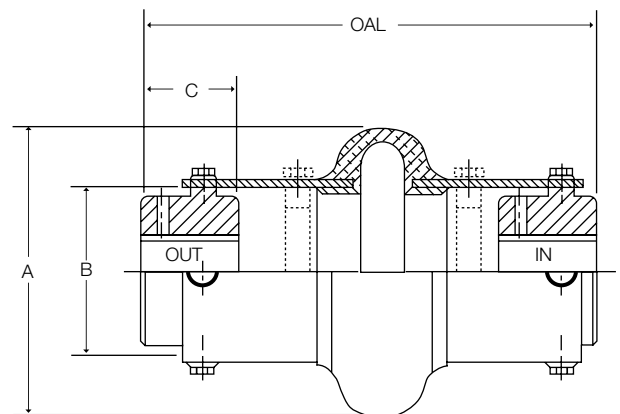
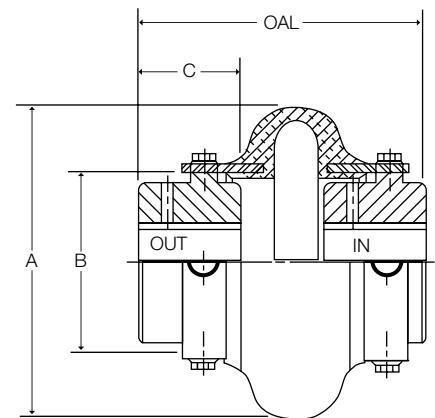
Product No.*	OAL MAX	OAL MIN	Maximum DBSE	Weight lbs.
WE2	3.78	3.22	1.90	1.5
WE3	4.32	3.80	1.32	3.3
WE4	4.68	3.82	1.30	4.4
WE5	5.30	4.32	1.80	7.4
WE10	5.57	4.33	1.81	11.2
WE20	6.82	4.62	2.70	16.3
WE30	7.61	5.19	2.99	27.7
WE40	8.16	5.56	3.16	45.4
WE50	9.21	6.13	3.71	59.0
WE60	10.70	7.20	4.20	82.6
WE70	11.88	8.24	4.64	109
WE80	16.60	10.48	6.64	242

\* Product number is element only.

### Spacer Element Assembly

Product No.*	OAL MAX	OAL MIN	Maximum DBSE	Weight lbs.
WES2	5.92	5.72	4.04	2.5
WES3	8.02	7.50	5.02	4.8
WES4	8.38	7.52	5.00	6.1
WES5	8.50	7.52	5.00	9.4
WES10	8.76	7.52	5.00	13.6
WES20	11.17	9.35	7.05	19.2
WES30	11.65	9.35	7.03	31.0
WES40	11.89	9.35	6.89	48.9
WES50	12.31	9.35	6.81	63.5
WES60	16.28	12.78	9.78	91.0
WES70	16.81	13.17	9.57	128
WES80	19.73	13.61	9.77	258

\* Product number is element only.



Sizes WES2 through WES10 are furnished with high speed rings. All larger sizes, rings can be ordered as an option.

All weights shown are with MPB style hubs.

Shaft Spacing from 1/4" up to the MAX DBSE can be accommodated by positioning hubs IN or OUT or by using various existing hole patterns.  
OAL - Over All Length does not include bolt heads

# Dura-Flex® QD Bushed Couplings

## Dimensions

### Assembly Dimensions for QD Bushed Couplings.

(All dimensions in inches) Minimum Shaft Spacing = .25"

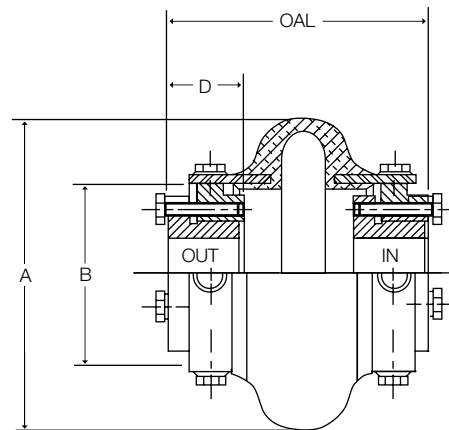
#### Dimensions Common to QD Bushed Standard and Spacer Assemblies

SIZE	A	B	D	Bushing	Max. Bore
WE4 & WES4	4.52	2.60	1.00	JA	1-1/4
WE5 & WES5	5.40	3.13	1.25	SH	1-11/16
WE10 & WES10	6.48	3.65	1.31	SDS	2
WE20 & WES20	7.36	4.48	1.88	SK	2-5/8
WE30 & WES30	8.41	5.42	2.00	SF	2-15/16
WE40 & WES40	9.71	6.63	2.63	E	3-1/2
WE50 & WES50	11.34	8.13	2.63	E	3-1/2
WE60 & WES60	12.53	8.75	3.63	F	4
WE70 & WES70	14.00	9.25	4.50	J	4-1/2
WE80 & WES80	16.00	11.3	6.75	M	5-1/2

#### Standard Element Assembly

Product No.*	OAL MAX	OAL MIN	Maximum DBSE	Weight lbs.
WE4	3.88	3.24	1.88	3.8
WE5	4.50	4.24	2.00	6.0
WE10	5.07	3.83	2.45	8.8
WE20	6.62	4.38	2.86	15.9
WE30	6.19	5.43	2.19	25.1
WE40	7.00	6.50	1.74	47.0
WE50	8.13	6.61	2.87	48.0
WE60	9.00	8.68	1.74	79.4
WE70	10.86	10.12	1.86	124
WE80	15.10	13.97	1.60	268

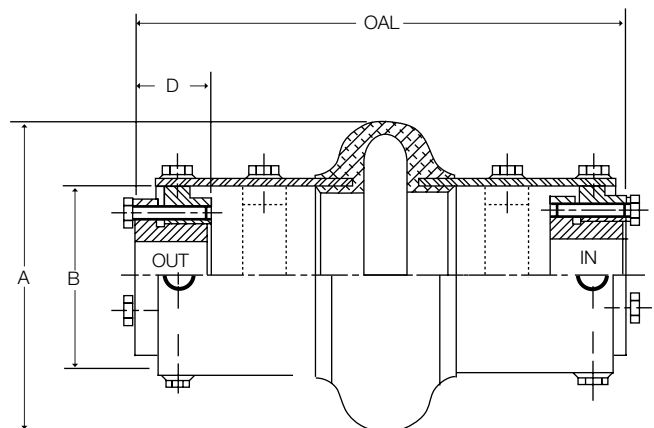
\* Product number is element only.



#### Spacer Element Assembly

Product No.*	OAL MAX	OAL MIN	Maximum DBSE	Weight lbs.
WES4	7.58	7.28	5.58	5.5
WES5	7.70	7.44	5.20	8.0
WES10	8.26	7.28	5.64	11.2
WES20	10.97	9.35	7.21	18.8
WES30	10.23	9.47	6.23	28.4
WES40	10.73	10.23	5.47	50.5
WES50	11.23	9.71	5.99	52.5
WES60	14.58	14.34	7.32	107
WES70	15.79	15.05	6.79	143
WES80	18.23	17.11	4.73	284

\* Product number is element only.



Sizes WES4 through WES10 are furnished with high speed rings. All larger sizes, rings can be ordered as an option.

All weights shown are with MPB bushings.

Shaft Spacing from 1/4" up to the MAX DBSE can be accommodated by positioning hubs IN or OUT or by using various existing hole patterns.

OAL - Over All Length does not include bolt heads

# Dura-Flex® Taper-Lock® Bushed Couplings

## Dimensions

### Assembly Dimensions for Taper-Lock® Bushed Couplings.

(All dimensions in inches) Minimum Shaft Spacing = .25"

### Dimensions Common to Taper-Lock® Bushed Standard and Spacer Assemblies

SIZE	A	B	H	Bushing	Max. Bore
WE3 & WES3	4.24	2.32	0.88	TL1008	1
WE4 & WES4	4.52	2.60	0.88	TL1008	1
WE5 & WES5	5.40	3.13	0.88	TL1108	1-1/8
WE10 & WES10	6.48	3.65	1.00	TL1310	1-7/16
WE20 & WES20	7.36	4.48	1.00	TL1610	1-11/16
WE30 & WES30	8.41	5.42	1.25	TL2012	2-1/8
WE40 & WES40	9.71	6.63	1.75	TL2517	2-11/16
WE50 & WES50	11.34	8.13	1.75	TL2517	2-11/16
WE60 & WES60	12.53	8.75	2.00	TL3020	3-1/4
WE70 & WES70	14.00	9.25	3.50	TL3535	3-15/16
WE80 & WES80	16.00	11.3	4.00	TL4040	4-7/16

### Standard Element Assembly

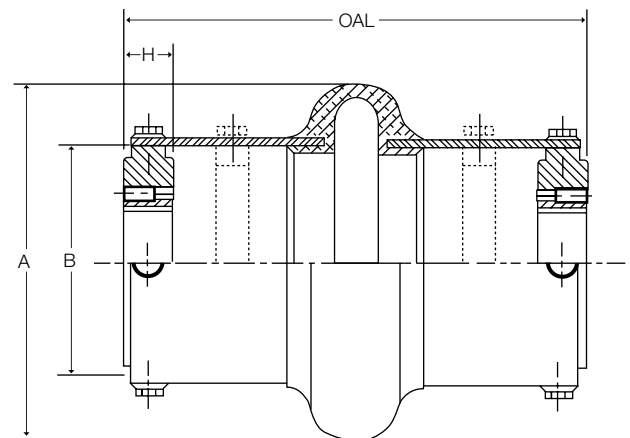
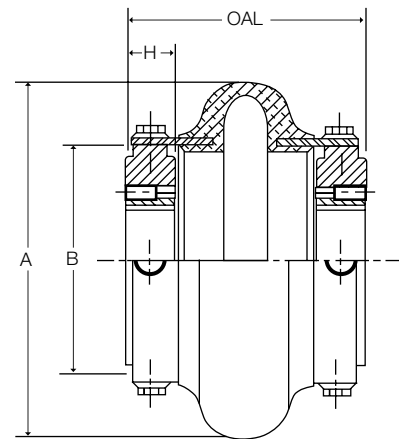
Product No.*	OAL	Maximum DBSE	Weight lbs.
WE3	3.44	1.68	1.8
WE4	3.44	1.68	2.6
WE5	3.94	2.18	4.0
WE10	4.07	2.07	6.0
WE20	4.50	2.50	9.0
WE30	5.07	2.57	13.6
WE40	5.88	2.38	21.8
WE50	6.51	3.01	31.5
WE60	7.32	3.32	46.6
WE70	9.42	2.42	66.7
WE80	11.72	3.72	82.0

\* Product number is element only.

### Spacer Element Assembly

Product No.*	OAL MAX	OAL MIN	Maximum DBSE	Weight lbs.
WES3	7.14	7.28	5.38	3.2
WES4	7.14	7.28	5.38	4.2
WES5	7.14	7.28	5.38	6.0
WES10	7.26	7.28	5.26	7.9
WES20	8.85	9.35	6.85	11.9
WES30	9.11	9.35	6.61	18.0
WES40	9.61	9.61	6.11	26.8
WES50	9.61	9.61	6.11	37.4
WES60	12.90	12.90	8.90	60.7
WES70	14.35	14.35	7.35	81.4
WES80	14.85	14.35	6.85	93.2

\* Product number is element only.



Sizes WES3 through WES10 are furnished with high speed rings. All larger sizes, rings can be ordered as an option.

All weights shown are with MPB bushings.

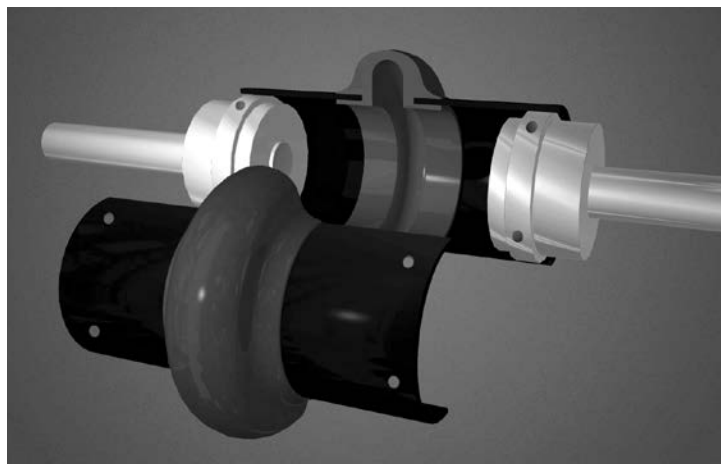
©Taper-Lock is a registered trade name of Rockwell Automation-Dodge.



Patent No. 5,611,732

## FEATURES

- **Metric Hardware**
- **Designed from the ground up using finite element analysis to maximize flex life.**
- **Easy two piece element installation. No need to move the hubs during replacement.**
- **One spacer size to handle most different between shaft spacings.**
- **Light weight element absorbs shock loading and torsional vibration.**
- **Same hubs used on both spacer and standard elements.**
- **No lubrication.**
- **Good chemical resistance.**



The specially designed split-in-half element can be easily replaced without moving any connected equipment.

# Dura-Flex® Metric Couplings

## Dimensions

### A. Determine the Prime Mover Classification

Prime Mover	Class
• Electric Motors (Standard duty), Hydraulic Motors, Turbines	A
• Gasoline or Steam Engines (4 or more cylinders)	B
• Diesel or Gas Engines, High Torque Electric Motors	C

### B. Determine the Load Characteristics and the Service Factor

Typical Applications	Load	Characteristics	Prime Mover Class		
			A	B	C
Agitators (pure liquids), Blowers (centrifugal, Can and Bottle Filling Machines, Conveyors - uniformly loaded or fed (belt, chain, screw), Fans (centrifugal), Generators (uniform load), Pumps (centrifugal), Screens (air washing, water), Stokers (uniform load), Woodworking Machines (planers, routers, saws)	Uniform	Even loads - no shock - non reversing - infrequent starts (up to 10 per hour) - low starting torques	1.0	1.5	2.0
Beaters, Blowers (lobe, vane), Compressors (centrifugal, rotary), Conveyors - non uniformly loaded or fed (belt, bucket, chain, screw), Dredge Pumps, Fans (forced draft, propeller), Kilns, Paper Mills (calendars, converting machines, conveyors, dryers, mixers, winders), Printing Presses, Pumps (gear, rotary), Shredders, Textile Machinery (dryers, dyers)	Moderate shock	Uneven loads - moderate shock Infrequent reversing-moderate torques	1.5	2.0	2.5
Cranes (bridge, hoist, trolley), Fans (cooling tower), Generators (welding), Hammer Mills, Mills (ball, pebble, rolling, tube, tumbling), Pumps (oil well), Wire Drawing Machines	Heavy shock	Uneven loads - heavy shock - frequent starts and stops - high starting torques - high inertia peak loads	2.0	2.5	3.0

**Note:** The above applications depict the generally accepted conditions encountered in industry. Conditions subject to extreme temperatures, abrasive dusts, corrosive liquids, excessively high starting torques, etc., must be considered as extra heavy shock loads. These conditions will increase service factors. Consult TB Wood's for these selections.

### C. Calculate Design Horsepower or Design Torque

- If Prime Mover is a 970, 1450, or 3000 rpm motor.  
Design KW = Prime Mover KW x Service Factor  
Go to page F2—9 and reference the corresponding motor rpm column.
- If Prime Mover is not one of the three speeds listed above.  
Design KW @ 100 rpm = (Prime Mover KW x Service Factor x 100) / Coupling RPM  
Go to page F2—9 and reference KW @ 100 RPM column.
- If Using Prime Mover Torque  
Design Torque = Prime Mover Torque x Service Factor  
Go to page F2—9 and reference Torque column.

## Dimensions

### D. DURA-FLEX Couplings are sold by component

A DURA-FLEX Assembly consists of one element (STD or Spacer) and two hubs (BTS or QD). Optional high speed rings may also be ordered for spacer elements. Below is an ordering example for Dura-Flex Couplings.

	Part #	Description	Size 20 Example
Element (1)	WE2M – WE80M	Standard Metric Element, sizes 2 through 80	WE20M
	WES2M – WES80M	Spacer Metric Element, sizes 2 through 80	WES20M
Hubs (2)	WE[2-80] HMPB	BTS Hubs – MPB suitable to rebore	WE20HMPB
	WE[3-80] HMTL Bushing	TL Hubs (sizes 3 through 80, bushing not included)	WE20HMTL
*HS Rings (1)	WE[20-80]RM	High speed rings – sizes 20-80 (standard for sizes 2-10)	WE20RM

\*Spacer element only

### COUPLING RATINGS (STD & SPACER)

Coupling Size	KW @ RPM				Torque (Nm)	Stiffness NM/RAD	Maximum Rpm		Max. Misalignment	
	100	970	1450	3000			Standard	Spacer *	Parallel (MM)	Angular
<b>WE2M</b>	0.22	2.2	3.2	6.7	22	358	7500	7500	1.6	4°
<b>WE3M</b>	0.43	4.2	6.3	13	41	532	7500	7500	1.6	4°
<b>WE4M</b>	0.66	6.4	9.5	20	62	607	7500	7500	1.6	4°
<b>WE5M</b>	1.1	11	16	33	105	1110	7500	7500	1.6	4°
<b>WE10M</b>	1.7	17	25	51	164	1790	7500	7500	1.6	4°
<b>WE20M</b>	2.7	26	39	82	260	3120	6600	4800	2.4	3°
<b>WE30M</b>	4.3	42	63	130	412	4770	5800	4200	2.4	3°
<b>WE40M</b>	6.6	64	96	198	621	7370	5000	3600	2.4	3°
<b>WE50M</b>	9.1	88	131	272	864	13900	4200	3100	2.4	3°
<b>WE60M</b>	15	144	215	444	1412	18900	3800	2800	3.2	2°
<b>WE70M</b>	26	254	380	786	2500	23200	3600	2600	3.2	2°
<b>WE80M</b>	47	454	678	1403	4463	34500	2000	1800	3.2	2°

\*Maximum spacer RPM = Maximum standard RPM if using optional high speed rings

# Dura-Flex® Metric BTS Couplings

## Dimensions

### Assembly Dimensions for BTS Couplings.

(All dimensions in millimeters) Minimum Shaft Spacing = 6.35mm

### Dimensions Common to BTS Standard and Spacer Assemblies

SIZE	A	B	C	Max Bore
WE2M & WES2M	94	47	24	29
WE3M & WES3M	108	59	38	35
WE4M & WES4M	115	66	43	42
WE5M & WES5M	137	80	44	48
WE10M & WES10M	165	93	48	54
WE20M & WES20M	187	114	52	60
WE30M & WES30M	214	138	59	73
WE40M & WES40M	247	168	64	86
WE50M & WES50M	288	207	70	92
WE60M & WES60M	318	222	83	102
WE70M & WES70M	356	235	92	114
WE80M & WES80M	406	287	124	152

### Standard Element Assembly

Product No.	OAL MAX	OAL MIN	Maximum DBSE	Weight kg
WE2M	96	82	48	.68
WE3M	110	97	34	1.5
WE4M	119	97	33	2.0
WE5M	135	110	46	3.4
WE10M	141	105	46	5.1
WE20M	173	109	69	7.4
WE30M	193	118	76	12.6
WE40M	207	129	80	20.6
WE50M	234	147	94	26.8
WE60M	272	164	107	37.5
WE70M	279	183	123	49.4
WE80M	375	236	169	110

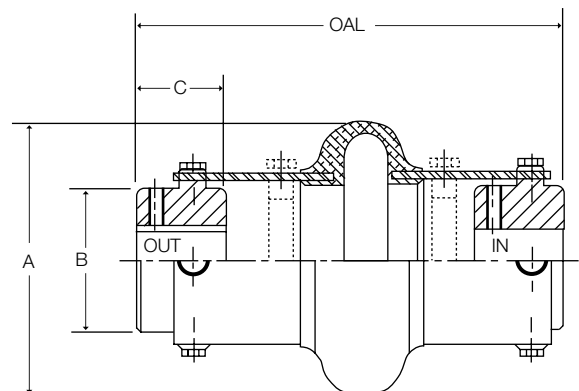
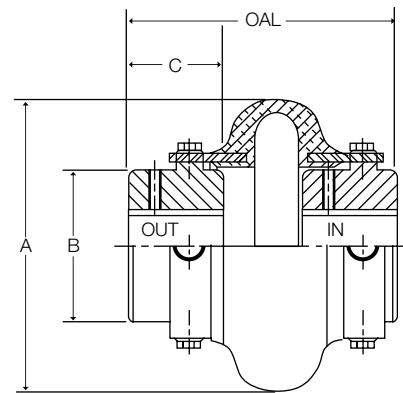
Product number is element only.

### Spacer Element Assembly

Product No.	OAL MAX	OAL MIN	Maximum DBSE	Weight kg
WES2M	145	145	103	1.1
WES3M	204	185	128	2.2
WES4M	213	185	127	2.8
WES5M	216	185	127	4.3
WES10M	223	185	127	6.2
WES20M	284	237	180	8.7
WES30M	296	237	180	14.1
WES40M	302	237	175	22.2
WES50M	313	237	173	28.8
WES60M	414	315	248	41.3
WES70M	427	318	243	58.1
WES80M	501	318	248	117.0

Product number is element only.

Shaft Spacing from 6.35 mm up to the MAX DBSE can be accommodated by positioning hubs IN or OUT or by using various existing hole patterns. OAL — Over All Length does not include bolt heads.



Sizes WES2M through WES10M are furnished with high speed rings. All larger sizes, rings can be ordered as an option.

All weights shown are with MPB style hubs.

# Dura-Flex® Metric Taper-Lock® Bushed Couplings

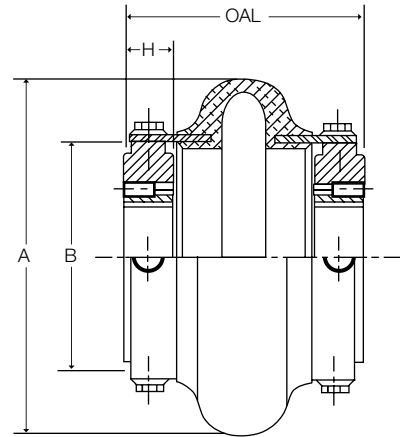
## Dimensions

### Assembly Dimensions for TAPER-LOCK® Bushed Couplings.

(All dimensions in millimeters) Minimum Shaft Spacing = 6.35 mm

### Dimensions Common to TAPER-LOCK® Bushed Standard and Spacer Assemblies

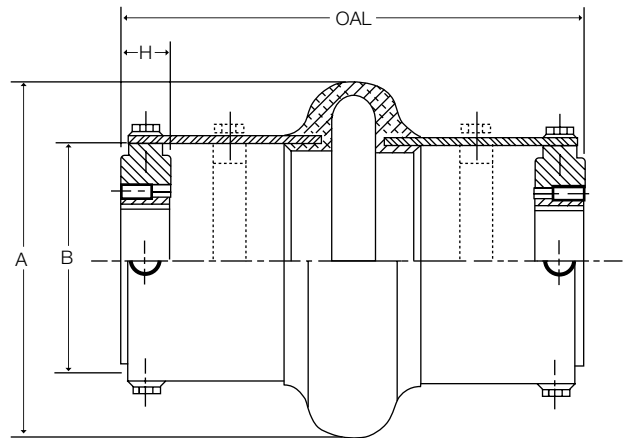
SIZE	A	B	H	Bushing	Max Bore
WE3M & WES3M	108	59	22	TL1008	26
WE4M & WES4M	115	66	22	TL1008	26
WE5M & WES5M	137	80	22	TL1210	32
WE10M & WES10M	165	93	25	TL1610	44
WE20M & WES20M	187	114	25	TL1610	44
WE30M & WES30M	214	138	32	TL2012	55
WE40M & WES40M	247	168	44	TL2517	68
WE50M & WES50M	288	207	44	TL2517	68
WE60M & WES60M	318	222	51	TL3020	82
WE70M & WES70M	356	235	89	TL3535	100
WE80M & WES80M	406	287	102	TL4040	113



### Standard Element Assembly

Product No.	OAL	Maximum DBSE	Weight kg
WE3M	87	43	0.8
WE4M	87	43	1.2
WE5M	100	56	1.8
WE10M	103	52	2.7
WE20M	114	64	4.1
WE30M	129	65	6.2
WE40M	149	60	9.9
WE50M	165	76	14.3
WE60M	186	84	21.1
WE70M	238	60	30.3
WE80M	298	95	37.2

Product number is element only.



### Spacer Element Assembly

Product No.	OAL MAX	OAL MIN	Maximum DBSE	Weight kg
WES3M	185	185	137	1.5
WES4M	185	185	137	1.9
WES5M	185	185	137	2.7
WES10M	185	185	133	3.6
WES20M	237	237	174	5.4
WES30M	237	237	168	8.2
WES40M	244	237	155	12.2
WES50M	244	237	155	17.0
WES60M	328	315	226	27.5
WES70M	364	318	186	36.9
WES80M	377	318	174	42.3

Product number is element only.

© TAPER-LOCK: J.H. Fenner & Co. Limited, England.

Shaft Spacing from 6.35 mm up to the MAX DBSE can be accommodated by positioning hubs IN or OUT or by using various existing hole patterns.  
OAL — Over All Length does not include bolt heads.

Sizes WES3M through WES10M are furnished with high speed rings. All larger sizes, rings can be ordered as an option.

All weights shown are with MPB bushings.



# We Have A Product For All Your Coupling Needs

---

Besides the full line of stock DURA-FLEX couplings —  
Wood's has other stock coupling lines that may fill your application.

---



## Sure-Flex Plus®

- Operates in shear
- No lubrication
- Four-way flexibility
- Easy installation

**Up to 115 HP  
@ 100 rpm**

---

## Gear Couplings

- High Torque Capacity
- Torsionally Stiff
- Good Inherent Balance
- Rated for Higher Speeds
- Many Types and Configurations

**Up to 2714 HP  
@ 100 rpm**



## Jaw Couplings

- Economical
- No maintenance
- Industry standard
- Large inventories

**Up to 30 HP  
@ 100 rpm**

---

## Form-Flex®

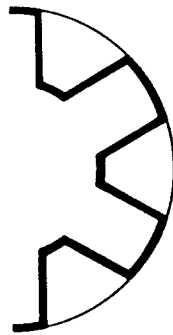
- All metal construction
- No lubrication
- Wide temperature range
- Zero backlash
- API offering

**Up to 3175 HP  
@ 100 rpm**



# L-Jaw Elastomeric Couplings

**F3**



- 100% interchangeable with industry standard
- 3 Insert materials available
- 3 Hub materials available
- Large selection of sizes

# Jaw Couplings

## Selection

### Determine the Prime Mover Classification

Prime Mover	Class
• Electric Motors (Standard duty), Hydraulic Motors, Turbines	A
• Gasoline or Steam Engines (4 or more cylinders)	B
• Diesel or Gas Engines, High Torque Electric Motors	C

### Determine the Load Characteristics and the Service Factor

Typical Applications	Load	Characteristics	Prime Mover Class		
			A	B	C
Agitators (pure liquids), Blowers (centrifugal), Can and Bottle Filling Machines, Conveyors - uniformly loaded or fed (belt, chain, screw), Fans (centrifugal), Generators (uniform load), Pumps (centrifugal), Screens (air washing, water), Stokers (uniform load), Woodworking Machines (planers, routers, saws)	Uniform	Even loads – no shock – non reversing – infrequent starts (up to 10 per hour) – low starting torques – Up to 8 hours per day – Over 8 hours per day	1.0 1.5	1.5 2.0	2.0 2.5
Beaters, Blowers (lobe, vane), Compressors (centrifugal, rotary), Conveyors - non uniformly loaded or fed (belt, bucket, chain, screw), Dredge Pumps, Fans (forced draft, propeller), Kilns, Paper Mills (calendars, converting machines, conveyors, dryers, mixers, winders), Printing Presses, Pumps (gear, rotary), Shredders, Textile Machinery (dryers, dyers)	Moderate shock	Uneven loads – moderate shock – Infrequent reversing – moderate torques – Up to 8 hours per day – Over 8 hours per day	1.5 2.0	2.0 2.5	2.5 3.0
Cranes (bridge, hoist, trolley), Fans (cooling tower), Generators (welding), Hammer Mills, Mills (ball, pebble, rolling, tube, tumbling), Pumps (oil well), Wire Drawing Machines	Heavy shock	Uneven loads – heavy shock – frequent starts and stops – high starting torques – high inertia peak loads – Up to 8 hours per day – Over 8 hours per day	2.0 2.5	2.5 3.0	3.0 3.5

**Note:** The above applications depict generally accepted conditions encountered in industry. Extreme temperatures, abrasive dusts, corrosive liquids/dusts, excessively high starting torques, etc., must be considered as extra heavy shock loads. These conditions will increase service factors. Consult factory for these selections.

### Calculate Design Horsepower or Design Torque

- If Prime Mover is a 1200, 1800, or 3600 RPM motor  
Design HP = Prime Mover HP x Service Factor  
Go to page F3—3 and reference the corresponding motor RPM column
- If Prime Mover is not one of the three speeds listed above  
Design Hp @ 100 RPM = (Prime Mover HP x Service Factor x 100) / Coupling RPM  
Go to page F3—3 and reference HP @ 100 RPM column
- If Using Prime Mover Torque  
Design Torque = Prime Mover Torque x Service Factor  
Go to page F3—3 and reference Torque column

### Coupling Ratings

Hub	Max Bore	Max RPM	Buna-N Spider			Urethane Spider			Hytre Spider		
			Spider	Torque (in. lbs)	HP @ 100 RPM	Spider	Torque (in. lbs)	HP @ 100 RPM	Spider	Torque (in. lbs)	HP @ 100 RPM
L035	3/8	31000	L035N	3.5	0.006						
L050, AL050	5/8	18000	L050N	26	0.042	L050U	39	0.06	L050H	50	0.08
L070, AL070	3/4	14000	L070N	43	0.069	L070U	65	0.10	L070H	114	0.18
L075, AL075, SS075	7/8	11000	L075N	90	0.14	L075U	135	0.21	L075H	227	0.36
L090, AL090	1	9000	L090N	144	0.23	L090U	216	0.35	L090H	401	0.64
L095, AL095, SS095 ①	1-1/8	9000	L090N	194	0.31	L090U	291	0.47	L090H	561	0.89
L099	1-3/16	7000	L099N	318	0.51	L099U	477	0.77	L099H	792	1.3
L100, AL100, SS100 ②	1-7/16 ④	7000	L099N	417	0.66	L099U	626	1.0	L099H	1134	1.8
L110, AL110, SS110	1-5/8	5000	L110N	792	1.3	L110U	1188	2.0	L110H	2268	3.6
L150, AL150, SS150 ③	1-7/8	5000	L150N	1240	2.0	L150U	1860	3.0	L150H	3708	5.9
L190	2-1/8	5000	L190N	1726	2.7	L190U	2589	4.1	L190H	4680	7.4
L225	2-5/8	4600	L225N	2340	3.7	L225U	3510	5.6	L225H	6228	9.9
L276	2-7/8	4200	L276N	4716	7.5						

① Uses L090 spiders ② Uses L099 spiders ③ AL150 - Use Buna-N spiders only ④ 1-3/8 for AL and SS hubs

### Coupling HP @ RPM

Hub	Spider	Buna-N Spider			Spider	Urethane Spider			Spider	Hytre Spider		
		HP @ RPM				HP @ RPM				HP @ RPM		
		1200	1800	3600		1200	1800	3600		1200	1800	3600
L035	L035N	0.07	0.10	0.20								
L050, AL050	L050N	0.50	0.75	1.5	L050U	0.75	1.1	2.3	L050H	0.95	1.4	2.9
L070, AL070	L070N	0.8	1.2	2.5	L070U	1.2	1.8	3.8	L070H	2.2	3.3	6.5
L075, AL075, SS075	L075N	1.7	2.6	5.1	L075U	2.6	3.9	7.7	L075H	4.3	6.5	13
L090, AL090	L090N	2.7	4.1	8.2	L090U	4.0	6.2	12	L090H	7.6	11	23
L095, AL095, SS095 ①	L090N	3.7	5.5	11	L090U	5.6	8.3	17	L090H	11	16	32
L099	L099N	6.0	9.1	18	L099U	9.0	14	27	L099H	15	23	45
L100, AL100, SS100 ②	L099N	7.9	12	24	L099U	12	18	36	L099H	22	32	65
L110, AL110, SS110	L110N	15	23	45	L110U	23	35	68	L110H	43	65	130
L150, AL150, SS150 ③	L150N	24	35	71	L150U	36	53	107	L150H	71	106	212
L190	L190N	33	49	99	L190U	50	74	149	L190H	89	134	267
L225	L225N	45	67	134	L225U	68	101	201	L225H	119	178	356
L276	L276N	90	135	269								

### Spider Characteristics

Characteristics	Buna-N	Urethane	Hytre
Oil Resistance	Good	Good	Excellent
Chemical Resistance	Poor	Good	Excellent
Flexibility	Excellent	Good	Fair
Temperature Range	<b>F</b> -40 to +212 <b>C</b> -40 to +100	-30 to +160 -35 to +71	-60 to +250 -51 to +121
Torsional Stiffness	Full Soft	Medium Soft	Hard
Avg Shore Hardness	<b>80A</b>	<b>90A</b>	<b>55D</b>
Max. Misalignment			
• Angular	1°	1°	1/2°
• Parallel	.015"	.015"	.015"
Color	Black	Blue	White

### Order By Component – Example

	Part Number	Description
<b>Driver Hub</b>	<b>L09958</b>	L099 x 5/8
<b>Driven Hub</b>	<b>L09912NK</b>	L099 x 1/2 No Keyseat
<b>Spider</b>	<b>L099N</b>	L099 Buna-N

# Stock Bores

## Dimensions

### Stock L-Jaw Inch Hubs

Bore Size	Bore Designation	L035	L050	L070	L075	L090	L095	L099	L100	L110	L150	L190	L225	L276
1/8	<b>18</b>	0												
3/16	<b>3/16</b>	0												
1/4	<b>14</b>	X	X	X	X	X								
5/16	<b>5/16</b>	0	0	X	0	X								
3/8	<b>38</b>	X	X	X	X	X								
7/16	<b>7/16</b>		X	X	X	X	X	X	X					
1/2	<b>12</b>		X	X	X	X	X	X	X					
9/16	<b>9/16</b>		1	1	X	1	1	1	X					
5/8	<b>58</b>		X	X	1	1	1	1	1	X	X			
11/16	<b>11/16</b>			1	1	1	1	1	1					
3/4	<b>34</b>			1	1	X	1	1	1	1	1	X	X	
7/8	<b>78</b>				1	1	1	1	1	1	1	1	1	0
15/16	<b>15/16</b>					1	1	1	1	1	1	1	1	
1	<b>1</b>					1	1	1	1	1	1	1	1	
1-1/16	<b>1116</b>						1	1	1	1	1	1	1	
1-1/8	<b>118</b>						1	1	1	1	1	1	1	1
1-3/16	<b>1316</b>							1	1	1	1	1	1	
1-1/4	<b>114</b>								1	1	1	1	1	1
1-5/16	<b>1516</b>								1	1	1	1	1	
1-3/8	<b>138</b>								1	1	1	1	1	1
1-7/16	<b>1716</b>								1	1	1	1	1	
1-1/2	<b>112</b>									1	1	1	1	
1-9/16	<b>1916</b>									1	1	1	1	
1-5/8	<b>158</b>									1	1	1	1	
1-11/16	<b>11116</b>										1	1	1	
1-3/4	<b>134</b>										1	1	1	1
1-13/16	<b>11316</b>										1			
1-7/8	<b>178</b>										1	1	1	
1-15/16	<b>11516</b>											1	1	
2	<b>2</b>											1	1	1
2-1/8	<b>218</b>											1	1	1
2-3/16	<b>2316</b>												1	
2-1/4	<b>214</b>												1	1
2-3/8	<b>238</b>												1	
2-1/2	<b>212</b>												1	1
2-5/8	<b>258</b>												1	
2-7/8	<b>278</b>													1

0 No Keyseat      1 Standard Keyseat      X No Keyseat or Standard Keyseat

#### Part Number Examples

L095118      L095 x 1-1/8" Hub  
 L07512NK      L075 x 1/2" No Keyseat Hub  
 L09515/16      L095 x 15/16" Hub

#### Bore Tolerances

Bore Size	Tolerance
Up to and including 2"	+ .0005"
	+ .0015"
Over 2"	+ .0005"
	+ .0020"

#### Standard Keyseat Dimensions

Shaft Diameter	Width	Depth
1/2 to 9/16	1/8	1/16
5/8 to 7/8	3/16	3/32
15/16 to 1-1/4	1/4	1/8
1-5/16 to 1-3/8	5/16	5/32
1-7/16 to 1-3/4	3/8	3/16
1-13/16 to 2-1/4	1/2	1/4
2-5/16 to 2-3/4	5/8	5/16
2-13/16 to 3-1/4	3/4	3/8
3-5/16 to 3-3/4	7/8	7/16
3-13/16 to 4-1/2	1	1/2
4-9/16 to 5-1/2	1-1/4	5/8
5-9/16 to 6-1/2	1-1/2	3/4

## Dimensions

### Stock L-Jaw Metric Bore Hubs

Bore (mm)	Bore Designation	L035	L050	L070	L075	L090	L095	L099	L100	L110	L150	L190	L225
5	5MM	0											
6	6MM	0											
7	7MM		0										
8	8MM	0	0	0									
9	9MM		1										
10	10MM		X	1									
11	11MM		1		1								
12	12MM		1	1	1	1	1						
14	14MM		X	1	1	1	1	1	1				
15	15MM		1	1	1	1	1	1	1				
16	16MM		1	1	1	1	1	1	1				
17	17MM				1		1						
18	18MM				1	1	1	1	1	1			
19	19MM			1	1	1	1	1	1	1			
20	20MM				1	1	1	1	1	1	1		
22	22MM				1	1	1	1	1	1			
24	24MM					1	1	1	1	1	1		
25	25MM					1	1	1	1	1	1	1	
28	28MM						1	1	1	1	1	1	
30	30MM							1	1	1	1	1	
32	32MM								1	1	1	1	1
35	35MM								1	1	1	1	
38	38MM									1	1	1	1
40	40MM									1	1	1	1
42	42MM									1	1	1	1
45	45MM										1	1	1
48	48MM										1	1	1
50	50MM											1	1
55	55MM												1
60	60MM												1
65	65MM												1

0 No Keyseat    1 Standard Keyseat    X No Keyseat or Standard Keyseat

### Metric Bore Tolerances

Bore Size	Tolerance (mm)
5 to 6mm	+0.010 +0.022
7 to 10mm	+0.013 +0.028
11 to 18mm	0.016 +0.034
19 to 30mm	+0.020 +0.041
32 to 50mm	+0.025 +0.050
55 to 65mm	+0.030 +0.060

### Metric Keyseat Dimensions

Shaft Diameter	Width (mm)	Depth (mm)
6mm	2	1.0
9 to 10mm	3	1.4
11 to 12mm	4	1.8
13 to 17mm	5	2.3
18 to 22mm	6	2.8
23 to 30mm	8	3.3
31 to 38mm	10	3.3
39 to 44mm	12	3.3
45 to 50mm	14	3.8
51 to 58mm	16	4.3
59 to 65mm	18	4.4

### Stock Aluminum L-Jaw Hubs

Bore Size	Bore Designation	AL050	AL070	AL075	AL090	AL095	AL100	AL110	AL150
1/4	14	0							
5/16	5/16	0							
3/8	38	0							
7/16	7/16	0	0						
1/2	12	0	0	X	0	0			
5/8	58	0	1	1	1	1			
3/4	34		1	1	1	1	1		
7/8	78			1	1	1	1		
1	1				1	1	1	1	
1-1/8	118					1	1	1	1
1-1/4	114						1	1	1
1-3/8	138						1	1	1
1-1/2	112							1	1
1-5/8	158							1	1
1-3/4	134								1
1-7/8	178								1

0 No Keyseat    1 Standard Keyseat    X No Keyseat or Standard Keyseat

### Stock Stainless Steel L-Jaw Hubs

Bore Size	Bore Designation	SS075	SS095	SS100	SS110	SS150
1/4	14	0				
1/2	12	1	1			
5/8	58	1	1			
3/4	34	1	1	1		
7/8	78	1	1	1		
1	1		1	1	1	1
1-1/8	118		1	1	1	1
1-3/8	138			1	1	1
1-1/2	112				1	1
1-5/8	158				1	1
1-3/4	134					1
1-7/8	178					1

### Part Number Examples

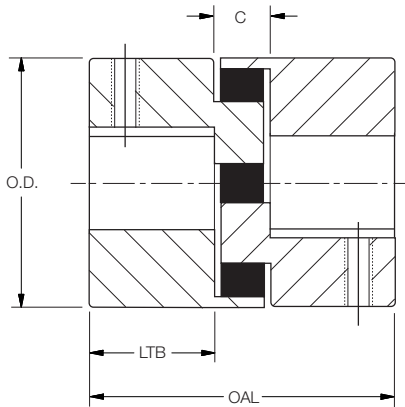
L09924MM    L099 x 24mm Hub  
 AL09512NK    AL095 x 1/2" No Keyseat Hub  
 SS150178    SS150 x 1-7/8" Hub

0 No Keyseat  
 1 Standard Keyseat

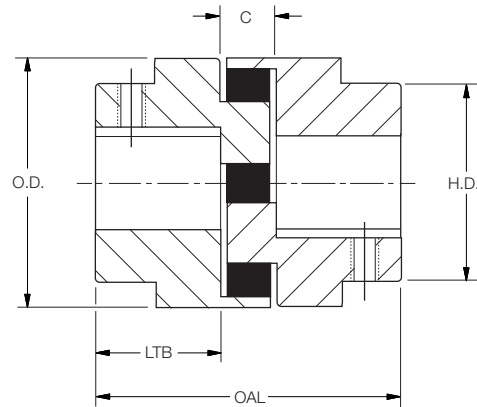
# L-Jaw Couplings

## Dimensions

AL, SS, L035 - L150



L190 - L276



## L-Jaw Dimensions

Coupling Size	Hub Material	Dimensions					Weight (Lbs)*		
		OD	HD	LTB	OAL	C	S.I.	AL	S.S.
L035	S.I.	0.63		0.27	0.81	0.28	0.1		
L050, AL050	S.I., AL	1.08		0.63	1.72	0.47	0.3	0.1	
L070, AL070	S.I., AL	1.36		0.75	2.00	0.50	0.6	0.2	
L075, AL075, SS075	S.I., AL, S.S.	1.75		0.81	2.13	0.50	1.0	0.4	1.2
L090, AL090	S.I., AL	2.11		0.81	2.13	0.50	1.5	0.6	
L095, AL095, SS095	S.I., AL, S.S.	2.11		1.00	2.50	0.50	1.8	0.7	2.2
L099	S.I.	2.53		1.06	2.88	0.75	2.5		
L100, AL100, SS100	S.I., AL, S.S.	2.53		1.38	3.50	0.75	3.5	1.4	4.1
L110, AL110, SS110	S.I., AL, S.S.	3.33		1.69	4.23	0.85	6.6	3.0	8.6
L150, AL150, SS150	S.I., AL, S.S.	3.75		1.75	4.50	1.00	9.1	4.2	12
L190	C.I.	4.50	4.00	1.94	4.88	1.00	17		
L225	C.I.	5.00	4.25	2.19	5.38	1.00	23		
L276	C.I.	6.19	5.00	3.13	7.88	1.63	47		

S.I. = Powdered metal • C.I. = Cast Iron • AL = Aluminum • S.S. = Stainless Steel

\*Weight of coupling with minimum bore hubs

# G-Flex Grid Couplings

The Original Bibby  
Grid Coupling

**F4**



- Long Life
- Low Maintenance
- Design Flexibility



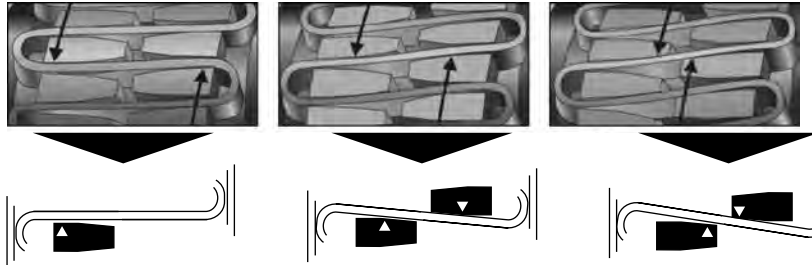
# G-Flex Grid Couplings

## Features

### Principal of Operation

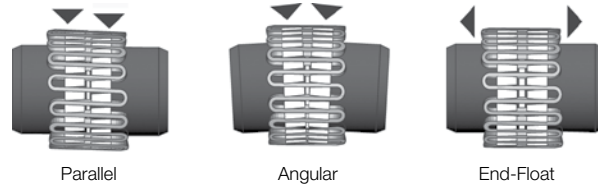
Positive protection against the damaging effects of shock loads, impact loads and vibration.

The grid is torsionally flexible. The circumferential flexibility is progressive due to the curved profile of the grooves – ‘state-of-the-art’ in resilient coupling design.



### Accommodating Shaft Misalignment and End-Float

The grid will accommodate combinations of misalignments present at set-up or occurring during machine displacement, settlement, etc.

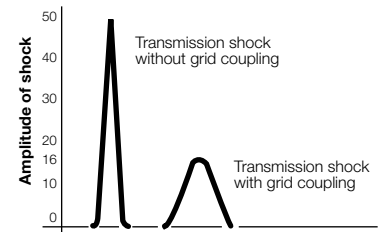


Limited End-Float kits are available on request.

### Effectiveness of Torsional Damping

As the grid coupling transmits torque, the flexing of the tapered grid spring damps vibrations and cushions shock loads.

This unique characteristic is due to the torsional flexibility of the coupling being proportionate to the unsupported length of each flexible grid rung. The resultant reduction in peak loading protects and extends the life of the transmission equipment.



### Versatile Design

Both 1000T10 and 1000T20 couplings feature identical hubs and grid springs, the different cover styles provide great versatility – one is horizontally split “T10”, the other is vertically split “T20”.

All coupling components are designed to be interchangeable with other taper grid couplings. The stock coupling can be used vertically or horizontally without modification.

### Easy Installation and Maintenance

The grid springs are easily installed by hand or with a soft mallet. The cover fasteners can be tightened with standard wrenches. Every TB Wood’s coupling is delivered with detailed installation instructions. Periodic Lubrication of the coupling is required and each cover half is supplied with standard plugs which can be easily removed for re-lubrication.

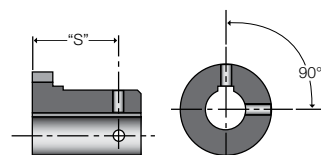
### Recommended Fits between Shafts and Hubs

Coupling bore tolerances for sizes up to and including 1090T can be specified to suit a clearance fit with the shaft. In these instances the hub is provided with set screws. Relative positions are given in the following table.

#### “S” Position from Hub Faces

1020 = 1.2”	1060 = 2.0”
1030 = 1.3”	1070 = 2.1”
1040 = 1.5”	1080 = 2.5”
1050 = 1.7”	1090 = 2.8”

For sizes above 1090T or where interference fits are preferred for smaller coupling sizes, bore tolerances will be consistent with AGMA standards.



# Taper Grid Resilient Couplings

## Series 1000T10 And Series 1000T20

Dr. James Bibby originally invented the Resilient Coupling in 1917 and the 1000 Series is the latest level of this well accepted product. This Bibby Turboflex product has become universally accepted where reliable protection against shaft misalignment and vibration is desirable.

Since those early days refinements in design and material specifications have kept pace with advancing technology, achieving significant improvements in power/weight ratios.

TB Woods is proud to offer this proven product.



### 1000T10

- Horizontally Split Cover
- General Purpose
- Easy access to grid minimizes downtime
- Ideal for limited space applications
- Stop lug in cover prevents spinning during reversing service



### 1000T20

- Vertically Split Cover
- General purpose
- Ideal for higher running speeds

### High Performance

The TB Wood's Taper Grid Coupling continues that tradition. The tapered grid is made from high tensile alloy steel which is carefully formed to the grid shape before hardening and tempering under controlled conditions. The grid surface is then shot-peened. This process leaves the grid spring with a residually stressed surface layer which is in compression and which impedes the propagation of cracks. Since nearly all fatigue and stress corrosion failures originate at the surface of a part, the layer of compressive stress induced by shot-peening produces a dramatic increase in the working life and fatigue strength of the grid. This technological improvement in manufacturing process coupled with precise monitoring of raw material specification and control of trapezoidal shape, permits TB Wood's to offer state of the art grid springs of high performance and reliability.

### Scientific Design

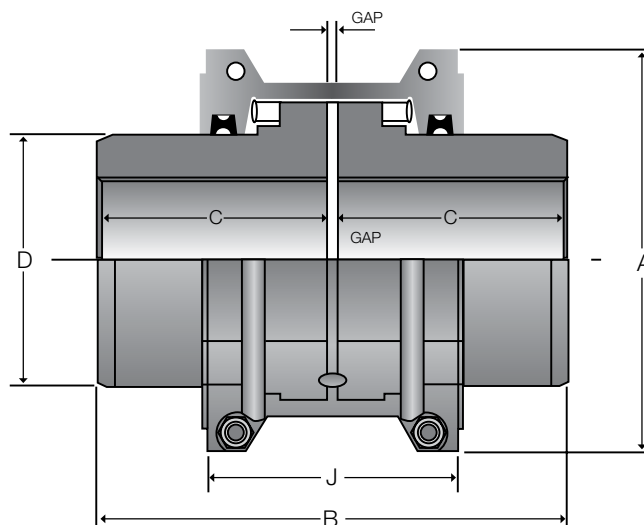
The hub is precision manufactured from high quality materials, with the hub tooth profile scientifically designed to permit progressive loading under torsional shock conditions. The combination of tapered grid and precision manufactured hub provides easy assembly. The excellent shock absorption characteristics, and the ability to accommodate misalignment protects the connected equipment.

### Long Life

While the coupling is designed for long life under tough conditions, maintenance and taper grid replacement can be performed quickly and easily without the need to move and realign connected equipment. Two cover design options are available in the TB Wood's range of couplings. Both designs have been carefully engineered to provide a shaft coupling which is highly reliable and easy to install.

# Horizontally Split Cover Couplings

## Series 1000T10



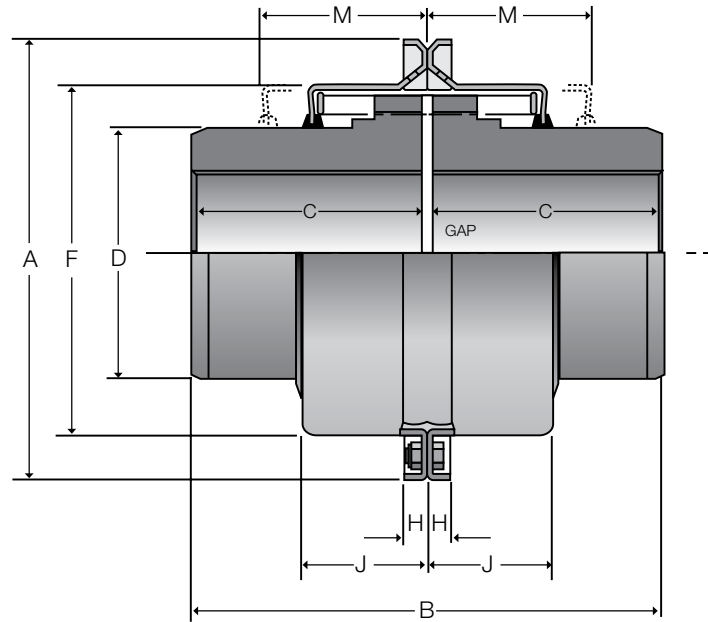
SIZE	COUPLING RATING (IN-LBS)	MAX SPEED	MIN BORE (IN)	MAX BORE (IN)**	CPLG WT (LBS)*	WR <sup>2</sup> / (LB/FT <sup>2</sup> )*	DIMENSIONS IN INCHES					
							A	B	C	D	J	GAP
1020	460	4500	0.50	1.13	4.0	4.8	4.02	3.86	1.87	1.56	2.64	0.13
1030	1,319	4500	0.50	1.38	5.3	7.5	4.37	3.86	1.87	1.94	2.68	0.13
1040	2,204	4500	0.50	1.63	7.1	11	4.65	4.13	2.00	2.25	2.76	0.13
1050	3,850	4500	0.50	1.88	12	24	5.43	4.88	2.37	2.63	3.11	0.13
1060	6,054	4350	0.75	2.13	16	41	5.94	5.12	2.50	3.00	3.62	0.13
1070	8,798	4125	0.75	2.50	22	62	6.38	6.14	3.00	3.44	3.74	0.13
1080	18,144	3600	1.06	3.00	39	154	7.64	7.13	3.50	4.13	4.57	0.13
1090	33,013	3600	1.06	3.50	54	269	8.39	7.87	3.87	4.87	4.80	0.13
1100	55,582	2440	1.63	4.00	91	615	9.88	9.69	4.75	5.59	6.14	0.19
1110	82,489	2250	1.63	4.50	118	923	10.63	10.20	5.00	6.31	6.42	0.19
1120	121,255	2025	2.38	5.00	174	1743	12.13	12.01	5.87	7.06	7.56	0.25
1130	176,129	1800	2.63	6.00	260	3383	13.66	12.99	6.37	8.56	7.68	0.25
1140	253,130	1650	2.63	7.25	388	6322	15.12	14.76	7.25	10.00	7.91	0.25

\* Coupling weight and WR<sup>2</sup> with no bore

\*\* Max bore is for hub with keyway for rectangular key

# Vertically Split Cover Couplings

## Series 1000T20



SIZE	COUPLING RATING (IN-LBS)	MAX RPM	MIN BORE (IN)	MAX BORE (IN)**	CPLG WT (LBS)*	WR2/ (LB/ FT2)*	DIMENSIONS IN INCHES								
							A	B	C	D	F	H	J	M	GAP
1020	460	6000	0.50	1.13	3.5	3.8	4.37	3.86	1.87	1.56	2.48	0.37	0.96	1.89	0.13
1030	1,319	6000	0.50	1.38	4.9	6.2	4.76	3.86	1.87	1.94	2.83	0.37	0.99	1.89	0.13
1040	2,204	6000	0.50	1.63	6.6	9.2	5.08	4.13	2.00	2.25	3.15	0.37	1.02	2.01	0.13
1050	3,850	6000	0.50	1.88	11	22	5.83	4.88	2.37	2.63	3.82	0.51	1.24	2.40	0.13
1060	6,054	6000	0.75	2.13	15	34	6.38	5.12	2.50	3.00	4.33	0.51	1.27	2.52	0.13
1070	8,798	5500	0.75	2.50	21	55	6.81	6.14	3.00	3.44	4.76	0.51	1.33	2.64	0.13
1080	18,144	4750	1.06	3.00	37	133	7.87	7.13	3.50	4.13	5.87	0.51	1.74	3.50	0.13
1090	33,013	4000	1.06	3.50	52	246	9.13	7.87	3.87	4.87	6.61	0.51	1.86	3.78	0.13
1100	55,582	3250	1.63	4.00	87	588	10.51	9.69	4.75	5.59	7.80	0.63	2.37	4.76	0.19
1110	82,489	3000	1.63	4.50	114	892	11.26	10.20	5.00	6.31	8.50	0.63	2.49	4.88	0.19
1120	121,255	2700	2.38	5.00	167	1709	12.56	12.01	5.87	7.06	9.69	0.63	2.91	5.63	0.25
1130	176,129	2400	2.63	6.00	254	3691	14.88	12.99	6.37	8.56	11.18	0.87	2.97	5.79	0.25
1140	253,130	2200	2.63	7.25	381	6475	16.38	14.76	7.25	10.00	12.68	0.87	3.09	6.14	0.25

\* Coupling weight and WR<sup>2</sup> with no bore

\*\* Max bore is for hub with keyway for rectangular key

# Coupling Selection

---

## Procedure

Use the Application Service Factor table, Torque Rating and Maximum Coupling Bore Sizes tables to assist you in the selection procedure for products listed in this catalog. Contact TB Wood's technical staff to discuss any special requirements.

1. Select Service Factor (SF).  
From Table 1 (see page F4-8) and  
Table 1A (see page F4-9)

2. Calculate required minimum  
basic rating:

**a) Normal Service (Nominal Torque)**

$$\text{Basic Rating (in.lb.)} = \frac{\text{Transmitted Power (HP)} \times 63025 \times \text{SF}}{\text{RPM}}$$

**b) Repetitive High Peak Torque Applications** – See \*Note

**c) Non Reversing Duty**

$$\text{Selection Torque (in.lb.)} = \text{Nominal Torque (from a. above)}$$

$$\text{Selection Torque (in.lb.)} = 2 \times \text{Nominal Torque (from a. above)}$$

3. Select coupling having a basic rating equal to or exceeding the calculated value.
4. Check that speed does not exceed the coupling maximum speed.
5. Use Maximum Coupling Bore Sizes Table to determine Maximum Coupling Bore suitable for respective driving and driven shafts.

**\*Note:**

- The system peak torque is the maximum load created by the driving or driven equipment.
- Occasional peak torques of twice the catalog rating can be accommodated providing they occur less than 1000 times during the life of the coupling.

**Recommended fit between shafts and hubs**

Stock bore hubs are supplied with a clearance fit on sizes VP to and including 1090. Larger sizes are supplied with an interference fit.

# How To Select A Grid Coupling

The standard selection method can be used for most motor or engine driven applications. The following information is required to make a selection.

- 1 Power to be handled (HP) - P
- 2 (Alternative to Power is Torque (in.lb.) - T
- 3 Speed of operation (rpm) - N
- 4 Distance between the Shaft Ends - DBSE
- 5 Shaft Diameters for Driver & Driven Machines - D1 & D2

Select style of coupling deemed most favorable for the application. (Horizontal T10 or Vertical T20)

Select an appropriate service factor (SF) from Application Service Factors table.

Calculate the required rating as  $SF \times T$ .

From technical details on pages F4-4 and F4-5 select coupling with suitable rating.

Do the shafts (D1 & D2) fit in the selected coupling?

no

**A** Consult TB Wood's.  
**B** Select alternative coupling size or style.

yes

Will the selected coupling handle the required speed?

no

yes

Is misalignment capacity of the coupling OK for the application?

no

yes

Does coupling fit in the overall space envelope (DBSE, ect.) & is mass, ect. OK?

no

yes

Selected coupling may be used for preliminary information. TB Wood's HIGHLY RECOMMENDS that all selections be clarified at time of order or before any critical decisions are made.

# Application Service Factors

**Table 1**

Application	Service Factor	Application	Service Factor	Application	Service Factor
<b>Agitators</b> .....	1.0	<b>Laundry Machines</b> .....	2.0	<b>Rubber Industry</b>	
<b>Blowers</b>		<b>Machine Tools</b>		Extruder .....	1.75
Centrifugal .....	1.0	Main drives .....	1.5	Calender .....	2.0
Lobe/Vane .....	1.25	Notching press/Planer/Punch .....	1.75	Bunbury mixer/Cracker/Mixing .....	
<b>Clay Working Machines</b>		Auxiliary and traverse drives .....	2.0	mill/Plasticator/Refiner .....	2.5
Brick press, Pug mill, Briquette machine ..	1.75	<b>Metalworking</b>		<b>Steel Industry</b>	
<b>Compressors</b>		Presses .....	2.0	Soaking pit/Cover drive:	
Centrifugal .....	1.0	Hammers .....	2.0	Lift .....	1.0
Lobe/Rotary .....	1.25	Straighteners .....	2.0	Travel .....	2.0
<b>Reciprocating</b>		Bending .....	1.5	Coilers (up or down) cold mills only .....	1.5
1 to 3 cylinders .....	3.0	Shears .....	1.5	Coilers (up or down) hot mills only .....	2.0
4 or more cylinders .....	1.75	Punching .....	2.0	<b>Coke Plants</b>	
<b>Conveyors</b>		<b>Mills (Rotary type)</b>		Pusher rain drive .....	2.5
<b>Uniformly fed horizontal:</b>		Ball or pebble .....	2.0	Door opener .....	2.0
Screw, Apron, Assembly, Belt, Chain,		Rod or tube .....	2.0	Pusher and Lorry car traction drive .....	3.0
Flight, Oven .....	1.0	Dryer and cooler .....	1.75	Cold mills – Strip and temper mills .....	2.0
<b>Heavy Duty:</b>		<b>Mixers</b>		Hot mills – Strip and sheet mills .....	3.0
Dredge, Inclined belt and screw .....	1.5	Drum .....	1.5	Reversing, blooming or slabbing mills .....	
Reciprocating .....	3.0	Concrete (continuous or intermittent) .....	1.75	Refer to TB Wood's	
<b>Cranes and Hoists</b>		Grizzly .....	2.0	Edging mills .....	
Main hoist – medium duty/mine haulage .....	2.5	<b>Oil Industry</b>		Refer to TB Wood's	
Main hoist – heavy duty .....	3.0	Chiller .....	1.25	Cooling beds .....	1.5
Long or cross travel/Slew or luff skip		Oil well pumping		Wire drawing/Slitters, steel mills only .....	1.75
hoist/slope .....	1.75	(<than 150% peak torque) .....	2.0	Drawbench/Furnace pusher/hot	
<b>Crushers</b> .....	2.5	<b>Paper Mills</b>		and cold saws/Ingot curs/Reelers/	
<b>Dredgers</b> .....	2.0	Bleacher .....	1.0	Straighteners .....	2.0
<b>Elevators</b>		Felt stretcher .....	1.25	Seamless tube mills piercer/	
Centrifugal and gravity discharge .....	1.25	Stock chest/stock pump – rotary/winder .....	1.5	Rod mills/mill tables/Manipulators/ Feed	
<b>Fans</b>		Bleacher and pulper/Calender/Couch/		rolls-blooming mills .....	3.0
Centrifugal .....	1.0	Dryer/Fourdrinier/ Press/Pulp grinder/		<b>Sugar Industry</b>	
Forced draft .....	1.5	Suction roll .....	1.75	Cane carrier and leveller .....	1.75
Induced draft with damper .....	1.5	Jordan/Stock pump-reciprocating .....	2.0	Cane knife and crusher .....	2.0
Mine/Cooling tower .....	2.0	Barking drum/Chipper .....	2.5	Mill stands Turbine driven-Helical	
Induced draught without control .....	2.0	<b>Plastic</b>		or Herringbone gears .....	1.5
<b>Food</b>		Calenders/Crushers/Extruders/Mixers .....	1.5	Electric drive or steam driven with	
Beet slicer .....	1.75	<b>Pulverizers</b>		all Helical or Herringbone or spur	
Cereal cooker .....	1.25	Roller/Hammer mill, light duty .....	1.5	gears with any prime mover .....	1.75
Dough mixer .....	1.75	Hog/Hummer mill, heavy duty .....	1.75	<b>Textiles</b>	
Meat grinder .....	1.75	<b>Pumps</b>		Batcher .....	1.25
Bottling, can filling .....	1.00	Centrifugal .....	1.0	Dyeing machinery .....	1.25
<b>Generators</b>		Descaling with accumulators/ Rotary gear,		Calender/Card machine/Dry can/Loom .....	1.5
Even load .....	1.0	Lobe and Vane .....	1.25	<b>Tobacco and Cigarette Machinery</b> .....	1.5
Hoist and Railway service .....	1.5	<b>Reciprocating</b>		<b>Water Waste Treatment</b>	
Welder load .....	2.0	1 cylinder, single or double acting .....	3.0	Aerators .....	1.5
<b>Kiln</b> .....	2.0	2 cylinder, single acting .....	2.0	Screw pumps .....	1.5
		2 cylinders, double acting .....	1.75	Screens .....	1.5
		3 cylinders or more .....	1.5	<b>Wind Turbines</b> .....	1.25
				<b>Wood Working Machinery</b>	
				Trimmers, haulage, barkers, planes, saws .....	2.0

The above service factors are for general guidance only and should be considered as a minimum. They are complimentary to customers specialist knowledge for their own equipment.

## Reciprocating Engines

**Table 1A**

Number of Cylinders	Service Factor
6 and over	0.5 + S.F. Table 1
4 or less	1.0 + S.F. Table 1
Less than 4	Refer to TB Wood's

For drives where the operation is near or actually passes through a major torsional natural frequency, a mass elastic analysis of the system is advised. When the Service Factor in Table 1 is greater than 2.0, consult your supplier or TB Wood's.

**Rating** – To determine the torque rating, calculate using the procedures given on page F4-6. Information may also be found on the nameplate of the motor, etc.

**Service Factor** – When selecting a coupling it is important to consider the characteristics of the drive and driven equipment. A figure known as the Service Factor has been calculated based on an average of a wide range of applications. This can be used as a guide in the selection process and is displayed in Table 1 on page F4-8.

**Size** – In making the decision from the following product groups which is most suited to the application, select a size equal to or higher than the rating calculated. Particular attention should be made to bore sizes, and guidance for this is in the Table related to Max Bore Sizes.

**Speed** – Ensure that the speed is compatible.

**Should full information not be supplied to TB Wood's at the time of ordering, it will be the responsibility of the customer to ensure that the coupling has been correctly selected.**

**As our policy is one of continual improvement, this specification is not to be regarded as binding in any way, and is subject to alteration without notice. Certified drawings are available on request.**



# Stock Bores

## Stock Grid Inch Hubs

BORE (IN.)	PRODUCT NO.	1020T	1030T	1040T	1050T	1060T	1070T	1080T	1090T	1100T	1110T	1120T	1130T	1140T
Solid-No bore	<b>RB</b>	X	X	X	X	X	X	X	X	X	X	X	X	X
1/2	<b>12</b>	X												
9/16	<b>9/16</b>	X												
5/8	<b>58</b>	X	X											
3/4	<b>34</b>	X	X	X	X									
7/8	<b>78</b>	X	X	X	X	X								
15/16	<b>15/16</b>	X	X	X	X									
1	<b>1</b>	X	X	X	X	X	X							
1-1/16	<b>1116</b>	X	X	X	X	X								
1-1/8	<b>118</b>	X	X	X	X	X	X							
1-3/16	<b>1316</b>		X	X										
1-1/4	<b>114</b>		X	X	X	X	X	X						
1-3/8	<b>138</b>		X	X	X	X	X	X	X					
1-7/16	<b>1716</b>			X	X	X	X	X	X					
1-1/2	<b>112</b>			X	X	X	X	X	X					
1-9/16	<b>1916</b>			X	X	X	X							
1-5/8	<b>158</b>			X	X	X	X	X	X					
1-11/16	<b>11116</b>				X		X	X						
1-3/4	<b>134</b>				X	X	X	X	X					
1-13/16	<b>11316</b>				X	X	X							
1-7/8	<b>178</b>				X	X	X	X	X					
1-15/16	<b>11516</b>					X	X	X	X					
2	<b>2</b>					X	X	X	X	X				
2-1/8	<b>218</b>					X	X	X	X	X				
2-3/16	<b>2316</b>						X	X						
2-1/4	<b>214</b>						X	X	X	X				
2-3/8	<b>238</b>						X	X	X	X				
2-7/16	<b>2716</b>						X	X	X	X				
2-1/2	<b>212</b>						X	X	X	X	X			
2-5/8	<b>258</b>							X	X	X				
2-11/16	<b>21116</b>							X						
2-3/4	<b>234</b>							X	X	X	X			
2-7/8	<b>278</b>							X	X	X	X			
2-15/16	<b>21516</b>							X	X	X				
3	<b>3</b>							X	X	X	X	X		
3-1/8	<b>318</b>								X	X				
3-1/4	<b>314</b>								X	X	X	X		
3-3/8	<b>338</b>								X	X	X			
3-7/16	<b>3716</b>								X	X	X			
3-1/2	<b>312</b>								X	X	X	X		
3-5/8	<b>358</b>								X	X	X			
3-3/4	<b>334</b>										X			
3-7/8	<b>378</b>									X	X	X		
3-15/16	<b>31516</b>									X	X	X		
4	<b>4</b>									X	X	X		
4-1/8	<b>418</b>										X			
4-3/16	<b>4316</b>										X			
4-7/16	<b>4716</b>										X			
4-1/2	<b>412</b>										X	X	X	
4-15/16	<b>41516</b>											X	X	
5	<b>5</b>											X		
5-7/16	<b>5716</b>												X	
Max Bore		1-1/8	1-3/8	1-5/8	1-7/8	2-1/8	2-1/2	3	3-5/8	4	4-1/2	5	6	7-1/4

Max bore is for hub w/ keyway for rectangular key

Example: Size 1020 coupling hub with 1-1/8" bore = 1020T118  
 Size 1040 coupling hub with NO bore - for rebore = 1040TRB

# Form-Flex® & Torsiflex-i Flexible Disc Couplings

**F5**



# Table of Contents

---

## Introduction

Product Features and Options .....	Page F5-3
Disc Coupling Advantages .....	Page F5-3
Typical Applications .....	Page F5-3
Coupling Application Types .....	Page F5-4
Coupling Selection Process .....	Page F5-5
Coupling Selection Guide .....	Page F5-6
Standard Bore Tolerances .....	Page F5-7
Industry Standard Reference .....	Page F5-8
Dynamic Balance Recommendations .....	Page F5-8
Disc Coupling Misalignment Discussion .....	Page F5-8
Product Differentiation .....	Page F5-9

### Spacer Couplings

AP Series - Form-Flex® .....	Page F5-11
GP Series - Form-Flex® .....	Page F5-12, F5-13
TFI Series- Torsiflex-i - API610 .....	Page F5-14, F5-15
TFI Series - Torsiflex-i - API610 with Torsi-Lock.....	Page F5-16, F5-17

### Floating Shaft Couplings

A5 Series - Form-Flex® .....	Page F5-19
G5 Series - Form-Flex® .....	Page F5-20, F5-21
A5C Series (Composite) - Form-Flex® .....	Page F5-22, F5-23

### Closed Coupled Couplings

AX Series - Form-Flex® .....	Page F5-25
AA Series - Form-Flex® .....	Page F5-26
AY Series - Form-Flex® .....	Page F5-27

### Single Flex Couplings

AR Series - Form-Flex® .....	Page F5-29
GR Series - Form-Flex® .....	Page F5-30, F5-31

### Heavy Duty Spacer Couplings

GCH Series - Form-Flex® .....	Page F5-33
GCF Series - Form-Flex® .....	Page F5-34
HSH Series - Form-Flex® .....	Page F5-35
FSH Series - Form-Flex® .....	Page F5-36
Coupling Repair Parts and Kits .....	Page F5-38, F5-39
Hub Options .....	Page F5-40, F5-41
Design Options .....	Page F5-42, F5-43
Bolt Thread Size .....	Page F5-44
Bolt/Nut Tightening Torque .....	Page F5-44
Application Data Sheet .....	Page F5-45, F5-46

# Product Features and Options

Features	Form-Flex®						Torsiflex-i
	A-Series		G-Series				TFI
	AR, AP AX, AY, AA	A5, A6, A7	GP	G5	GR	GCH, GCF, HSH, FSH	
<b>Standard Bore Fit:</b>	Clearance		Interference				
<b>Set Screws:</b>	Standard		Optional				
<b>Puller Holes:</b>	Optional						Standard
<b>Standard Flex Disc:</b>	300 Series Stainless Steel <sup>(1)</sup>					Alloy Steel <sup>(2)</sup>	300 Series SS
<b>Balance Class:</b>	AGMA 7	N/A	AGMA 8	N/A	AGMA 8	N/A	AGMA 9
<b>Dynamic Balance:</b>	Optional	Per TBW Commercial Standard	Optional	Per TBW Commercial Standard	Optional	N/A	Optional

(1) Stainless Steel is standard. Alloy Steel is optional.

(2) Alloy Steel is standard. Stainless Steel is optional.

## Form-Flex® Disc Coupling Advantages

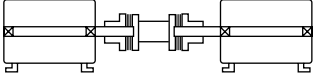
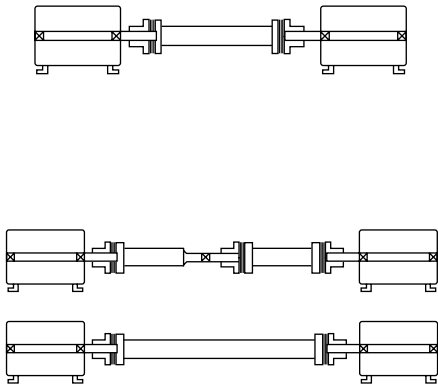
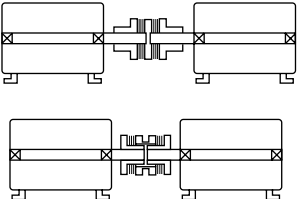
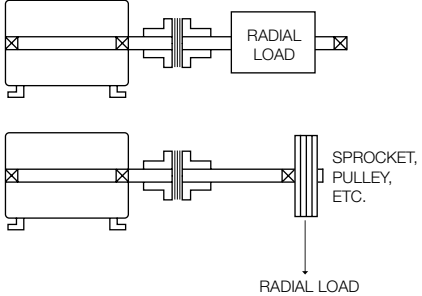
- Over 40 years experience in flexible disc couplings
- All metal Construction
- No Lubrication
- No Moving Parts
- Long Life
- High Torsional Stiffness
- Precise Positioning - Zero Backlash

## Applications

Flexible Disc couplings can be used in a wide variety of applications from general industrial equipment to high speed precision machines. They are one of the most versatile coupling designs and can be customized to meet the demands of almost every application. Some of the applications in which Flexible Disc couplings can be used are:

- General Purpose & API610 Pumps
- Centrifugal & Screw Compressors
- Reciprocating Compressors
- Fans & Blowers
- Food Processing
- Machine Tools
- Cooling Towers
- Printing Presses
- Engine & Electric Motor Driven Applications
- Power Generation

# Coupling Application Types Table

Coupling Type	Typical Applications	Series
<p><b>Spacer Couplings Double Flex</b></p>	<p>Spacer couplings are used to connect fully supported shafts with wider separations than can be reached with a close couple design. Spacer couplings allow room for installation and maintenance without moving the connected equipment. Shaft separations are generally in the range of 3 to 12 inches. These couplings accommodate angular, parallel and axial misalignment.</p>	 <p><b>AP, GP, TFI, GCF, GCH, FSH, HSH</b></p>
<p><b>Floating Shaft Coupling</b></p>	<p>Floating shaft couplings are spacer style couplings which are designed to connect widely separated shafts. The coupling spacers are fabricated. Both steel and TrueTube composite tubing options are available.</p> <p>Semi-floating shaft couplings are a special single flex version of the floating shaft coupling. These may be used alone for some applications or in combination with floating shaft couplings and pillow block bearings to span long distances.</p> <p>Composite floating shaft couplings should be considered as an alternative to multiple span applications with center bearings.</p>	 <p><b>A5, A5C, G5, B5C</b></p>
<p><b>Close Couple Double Flex</b></p>	<p>Close couple designs accommodate angular, parallel and axial misalignment types where two fully supported shafts are located very close together. Close shaft separations are generally in the range of 1/8 to 2 inches.</p>	 <p><b>AA, AX, AY</b></p>
<p><b>Single Flex</b></p>	<p>Single flexing couplings compensate for angular and axial misalignment only. Single couplings should only be used in a three bearing system with a self-aligning bearing as shown in the illustration. Single couplings may also be used in pairs to support a clutch, transducer or other system component. These arrangements are double flexing and must be used with two fully supported shafts as described below.</p>	 <p><b>AR, GR</b></p>

# Coupling Selection Process

1) Select correct Service Factor (S.F.) from the chart below.

2) Calculate HP/100 RPM or Design Torque (lb-in).

$$\text{HP/100 RPM} = \frac{\text{HP} \times \text{S.F.} \times 100}{\text{coupling RPM}}$$

OR

$$\text{Design Torque (lb-in)} = \frac{63025 \times \text{HP} \times \text{S.F.}}{\text{coupling RPM}}$$

OR

$$\text{Design Torque} = \text{Torque (lb-in)} \times \text{S.F.}$$

Calculate kW/100 RPM or Design Torque (Nm)

$$\text{kW/100RPM} = \frac{\text{kW} \times \text{S.F.} \times 100}{\text{coupling RPM}}$$

$$\text{Design Torque (Nm)} = \frac{9550 \times \text{kW} \times \text{S.F.}}{\text{coupling RPM}}$$

$$\text{Design Torque} = \text{Torque (Nm)} \times \text{S.F.}$$

3) Compare this to the HP/100 RPM (kW/100 RPM) column or the Rated Torque column.

4) Check other limiting factors such as max bores, minimum DBSE, max speed and overall dimensions.

Unit Conversions: HP x .746 = kW or kW x 1.34 = HP

Nm x 8.851 = lb-in or lb-in x .113 = Nm

## SERVICE FACTOR TABLE

These service factors assume a smooth motor or turbine type driver. The adders listed for other driver types must be added to the service factor shown for the driven equipment.

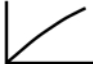

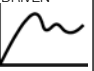
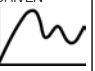
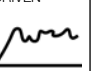
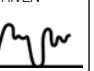
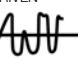
Adders For Driver Type		Driven Equipment	S.F.	Driven Equipment	S.F.	Driven Equipment	S.F.
DRIVER	ADD	CONVEYORS-Uniform load (Cont.)		FANS		PAPER MILLS-(Cont.)	
TURBINE	0	Flight	1.25	Centrifugal	1.00	Couch	1.75
AC MOTORS		Oven	1.50	Cooling Tower	2.00	Cutters, Platers	2.00
With Soft Start	0	Screw	1.25	FEEDERS		Cylinders	1.75
NEMA A or B, IEC N	0	CONVEYORS-Non-Uniform Load		Apron	1.25	Dryers	1.75
NEMA C or D, IEC H	1	Apron	1.50	Belt	1.25	Felt Stretchers	1.25
DC MOTORS		Assembly	1.25	Disc	1.25	Felt Whipper	2.00
Shunt Type	0	Belt	1.25	Reciprocating	2.50	Presses	2.00
Series or Compound	1	Bucket	1.50	Screw	1.25	Reel	1.50
I/C ENGINES		Chain	1.50	FOOD INDUSTRY		Stock Chests	1.50
8 or More Cylinders	1	Flight	1.50	Cereal Cookers	1.25	Suction Roll	1.75
4-6 Cylinders	1.5	Oven	1.50	Dough Mixers	1.75	Washers and Thickeners	1.50
1-3 Cylinders	2	Reciprocating	2.50	Meat Grinders	1.75	Winders	1.50
<b>Driven Equipment</b>	<b>S.F.</b>	Screw	1.50	Slicers	1.75	PRINTING PRESSES	1.50
AGITATORS		Shaker	2.50	LUMBER INDUSTRY		PUMPS	
Pure Liquids	1.00	CRANES AND HOISTS		Barkers-Drum Type	2.00	Centrifugal	1.00
Liquids and Solids	1.25	Main Cranes	2.00	Edger Feeders	2.00	Reciprocating	
Liquids-Variable Density	1.25	Reversing	2.00	Live Rolls	2.00	Double Acting	2.00
BLOWERS		Skip Hoists	1.75	Log Haul	2.00	Single Acting 1-2 Cylinders	2.25
Centrifugal	1.00	Trolley Drive	1.75	Off Bearing Rolls	2.00	Single Acting 3+ Cylinders	1.75
Lobe	1.50	Bridge Drive	1.75	Planers	1.75	Rotary-Gear, Lobe, Vane	1.50
Vane	1.25	Slope	1.50	Slab Conveyors	1.50	TEXTILE INDUSTRY	
BRIQUETTER MACHINE	1.00	DREDGES		Sorting Table	1.50	Batchers	1.25
CAN FILLING MACHINE	1.00	Cable Reels	1.75	Trimmer Feed	1.75	Calenders	1.75
COMPRESSORS		Conveyors	1.50	MACHINE TOOLS		Card Machines	1.50
Centrifugal	1.25	Maneuvering Winches	1.75	Bending Roll	2.00	Cloth Finishing Machines	1.50
Lobe	1.50	Pumps	1.75	Plate Planer	1.50	Dry Cans	1.75
Reciprocating	C/F	Screen Drives	1.75	Spindle Drives	1.50	Dryers	1.50
CONVEYORS-Uniform Load		Stracers	1.75	Table/Axis Drives	1.25	Dyeing Machinery	1.25
Apron	1.25	Utility Winches	1.50	Tapping Machines	2.50	Looms	1.50
Assembly	1.00	ELEVATORS		PAPER MILLS		Mangles	1.25
Belt	1.00	Bucket	1.75	Beater & Pulper	1.75	Nappers	1.25
Bucket	1.25	Centrifugal Discharge	1.50	Bleacher	1.00	Soapers	1.25
Chain	1.25	Freight	2.00	Calendars	2.00	Spinners	1.50
		Gravity Discharge	1.50	Converting Machines	1.50	Tinter Frames	1.50

# Coupling Selection Guide

- 1) Consult factory for applications in shaded areas.
- 2) Torque ratings may vary by coupling series.
- 3) Use the 1.0 service factor column if a service factor was used in the HP/100 RPM calculation.

**Consult Altra Couplings Engineering**

**Not Recommended for these Applications**

Typical Application Conditions						
SMOOTH MOTOR OR TURBINE DRIVEN 	STEADY MOTOR OR TURBINE DRIVEN 	MODERATE MOTOR OR TURBINE DRIVEN 	MEDIUM MOTOR OR TURBINE DRIVEN 	HEAVY-HIGH TQ. MOTOR OR ENGINE DRIVEN 	EXTRA HEAVY ENGINE DRIVEN 	EXTREMELY HEAVY ENGINE DRIVEN 
SOFT START WITH STEADY LOAD	AVERAGE STARTING LOADS AND SLIGHT TORQUE VARIATIONS	ABOVE AVERAGE STARTING LOADS AND MODERATE LOAD VARIATIONS	HIGH STARTING TORQUES AND MEDIUM TO HEAVY LOAD VARIATIONS	MILD SHOCK LOADING ENGINES. DRIVING SMOOTH LOADS. EXTREME RELIABILITY	HEAVY SHOCK LOADING OR LIGHT REVERSING	EXTREME SHOCK LOADING. FREQUENT WIDE TORQUE VARIATIONS

Type/Size	Torque Rating				O.D. (in)	Service Factor						# of Bolts		
	HP / 100 RPM	Max Continuous (lb-in)	Peak Overload (lb-in)	Rated HP/100 RPM at Service Factor Shown										
				1.0		1.5	2.0	2.5	3.0	3.25	4.0			
Form-Flex® A-Series	05	0.48	300	600	2.65	0.48	0.32	0.24	0.19				4	
	10	1.27	800	1,600	3.19	1.27	0.85	0.63	0.51					
	15	2.50	1,575	3,150	3.65	2.50	1.67	1.25	1.00					
	20	3.49	2,200	4,400	4.08	3.49	2.33	1.75	1.40					
	25	6.03	3,800	7,600	4.95	6.03	4.02	3.01	2.41					
	30	11.00	6,930	13,860	5.63	11.00	7.33	5.50	4.40					
Form-Flex® G-Series	35	18.00	11,340	22,680	6.63	17.99	12.00	9.00	7.20				6	
	311	17.5	11,000	22,000	5.88	17.45	11.64	8.73	6.98	5.8	5.4			
	321	32.5	20,500	41,000	6.38	32.53	21.68	16.3	13.0	10.8	10			
	332	50.8	32,000	64,000	7.20	50.8	33.8	25	20	17	16			
	346	73.0	46,000	92,000	8.20	73.0	48.7	36	29	24	22			
	380	127	80,000	160,000	9.36	127	85	63	51	42	39			
	Form-Flex® G-Series	340	63.5	40,000	80,000	8.38	63.5	42.3	32	25	21	20	16	8
		412	190	120,000	240,000	11.00	190	127	95	76	63	59	48	
		419	301	190,000	380,000	12.50	301	201	151	121	100	93	75	
		424	476	300,000	600,000	15.00	476	317	238	190	159	146	119	
		444	690	435,000	870,000	16.38	690	460	345	276	230	212	173	
		456	889	560,000	1,120,000	18.00	889	592	444	355	296	273	222	
		483	1317	830,000	1,660,000	19.44	1317	878	658	527	439	405	329	
		511	1745	1,100,000	2,200,000	22.00	1745	1164	873	698	582	537	436	
520		3173	2,000,000	4,000,000	24.88	3173	2116	1587	1269	1058	976	793		
525		3967	2,500,000	5,000,000	26.75	3967	2644	1983	1587	1322	1221	992		
530		4760	3,000,000	6,000,000	28.00	4760	3173	2380	1904	1587	1465	1190		
540		6347	4,000,000	8,000,000	33.50	6347	4231	3173	2539	2116	1953	1587		
Torsiflex-i TFI		17	2.4	1,504	2,632	2.87	2.39	1.59	1.19	0.95	0.80	0.73		6
		27	3.8	2,390	4,183	3.35	3.79	2.53	1.90	1.52	1.26	1.17		
	38	5.3	3,363	5,885	4.21	5.34	3.56	2.67	2.13	1.78	1.64			
	140	19.7	12,391	21,684	5.00	19.66	13.1	9.83	7.86	6.6	6.0			
	260	36.5	23,031	40,304	6.06	36.54	24	18.3	14.6	12	11			
	400	56.2	35,404	61,957	6.93	56.2	37	28	22	19	17			
	Torsiflex-i TFI	750	105	66,383	116,170	7.99	105	70	53	42	35	32		8
		1310	184	115,948	202,909	9.49	184	123	92	74	61	57		
		1900	267	168,169	294,296	10.98	267	178	133	107	89	82		
		2500	351	221,275	387,231	11.65	351	234	176	140	117	108		
		3300	463	292,083	511,145	12.84	463	309	232	185	154	143		
		6000	843	531,060	929,355	15.55	843	562	421	337	281	259		
Form-Flex® (HSH/FSH)	8500	1194	752,335	1,316,586	17.44	1194	796	597	477	398	367		8	
	12000	1685	1,062,120	1,858,710	19.45	1685	1123	843	674	562	519			
	22	15.1	9,500	14,250	6.00	15.07	10.05	7.54	6.03	5.02	4.64	3.8		
	26	25.4	16,000	24,000	6.87	25.39	16.9	12.7	10.2	8.5	7.8	6		
	31	38.1	24,000	36,000	8.12	38.08	25	19.0	15.2	13	12	10		
	35	69.8	44,000	66,000	9.12	69.8	47	35	28	23	21	17		
	37	95.2	60,000	90,000	10.06	95.2	63	48	38	32	29	24		
	42	116	73,000	109,500	11.00	116	77	58	46	39	36	29		
	45	157	99,000	148,500	11.44	157	105	79	63	52	48	39		
	50	203	128,000	192,000	13.00	203	135	102	81	68	62	51		
	55	300	189,000	283,500	15.00	300	200	150	120	100	92	75		
	60	414	261,000	391,500	16.00	414	276	207	166	138	127	104		
	70	658	415,000	622,500	18.50	658	439	329	263	219	203	165		
	75	846	533,000	799,500	20.00	846	564	423	338	282	260	211		
80	1087	685,000	1,027,500	22.00	1087	725	543	435	362	334	272			
85	1315	829,000	1,243,500	23.75	1315	877	658	526	438	405	329			
92	1650	1,040,000	1,560,000	25.75	1650	1100	825	660	550	508	413			
92HT	2221	1,400,000	2,100,000	25.75	2221	1481	1111	889	740	683	555			

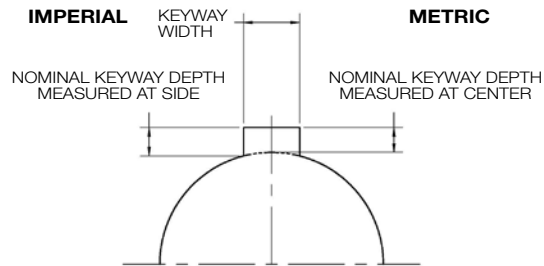
# Standard Bore Tolerances

## Imperial Standard Bore and Keyway Info

### Recommended Bore Tolerance for Imperial Shafts (Inches)

Nominal Shaft Range		Shaft Tol.	Interference Fit Bore Tol.	Clearance Fit Bore Tol.
Over	To (Incl.)			
.4375	1.5	+.0000 / -.0010	-.0005 / -.0010	+0.0010 / -.0000
1.5	2		-.0010 / -.0020	+0.0010 / -.0000
2	3		-.0010 / -.0020	+0.0015 / -.0000
3	4		-.0015 / -.0030	
4	5		-.0020 / -.0035	
5	7		-.0025 / -.0040	
7	8		-.0030 / -.0050	N/A
8	9		-.0035 / -.0055	N/A
9	10		-.0040 / -.0060	N/A

Reference AGMA 9002-B04



### Recommended Hub Keyway Dimensions (Inches)

Nominal Bore Range		Key Dims.		
Over	To (Incl.)	Width	Depth Square Key	Depth Reduced Key
0.312	0.438	0.094	0.047	-
0.438	0.562	0.125	0.063	0.047
0.562	0.875	0.188	0.094	0.062
0.875	1.250	0.25	0.125	0.094
1.250	1.375	0.312	0.156	0.125
1.375	1.750	0.375	0.188	0.125
1.750	2.250	0.500	0.250	0.188
2.250	2.750	0.625	0.313	0.219
2.750	3.250	0.750	0.375	0.250
3.250	3.750	0.875	0.438	0.313
3.750	4.500	1.000	0.500	0.375
4.500	5.500	1.250	0.625	0.438
5.500	6.500	1.500	0.750	0.500
6.500	7.500	1.750	0.875	0.750
7.500	9.000	2.000	1.000	0.750
9.000	11.000	2.500	1.250	0.875

Standard keyway fit is Commercial Class per AGMA 9002-B04

## Metric Standard Bore and Keyway Info

### Recommended Bore Tolerance for Metric Shafts (mm)

Nominal Shaft Range		Shaft Tol.	Shaft Des.	Clearance Fit		Interference Fit	
Over	To (Incl.)			Bore Tol.	Bore Des.	Bore Tol.	Bore Des.
12	18	+.008 / -.003	j6	+0.016 / +0.034	F7	-.015 / -.004	M6
19	30			+.020 / +0.041	F7	-.017 / -.004	M6
32	50	+.018 / +0.002	k6	+0.025 / +0.050	F7	-.013 / +0.003	K6
55	80			+0.030 / +0.060	F7	-.021 / +0.009	K7
85	100	+.035 / +0.013	m6	+.036 / +0.071	F7	-.035 / +0.000	M7
110	120					+.035 / +0.013	-.059 / -.024
125	180	+.040 / +0.015		+0.043 / +0.083	F7	-.068 / -.028	P7
190	200			+.046 / +0.017	+.050 / +0.096	F7	-.079 / -.033
210	225	-.109 / -.063					R7
230	250	-.113 / -.067					R7
260	280	+.052 / +0.020		+.056 / +0.108	F7	-.126 / -.074	R7

Reference AGMA 9112-A04

### Recommended Hub Keyway Dimensions (mm)

Nominal Bore Range		Nominal Key Size	Hub Keyway	
Over	To (Incl.)		Width	Depth
Over	To (Incl.)	Nominal	Nominal	Nominal
10	12	4X4	4	1.8
12	17	5X5	5	2.3
17	22	6X6	6	2.8
22	30	8X7	8	3.3
30	38	10X8	10	3.3
38	44	12X8	12	3.3
44	50	14X9	14	3.8
50	58	16X10	16	4.3
58	65	18X11	18	4.4
65	75	20X12	20	4.9
75	85	22X14	22	5.4
85	95	25X15	25	5.4
95	110	28X16	28	6.4
110	130	32X18	32	7.4
130	150	36X20	36	8.4
150	170	40X22	40	9.4
170	200	45X25	45	10.4
200	230	50X28	50	11.4
230	260	56X32	56	12.4
260	290	63X32	63	12.4

Standard metric keyway width tolerance per Js9



# Engineering Standards

## INDUSTRY STANDARDS REFERENCED

AGMA 9002-B04 - BORES AND KEYWAYS FOR FLEXIBLE COUPLINGS (INCH SERIES)  
 AGMA 9112-A04 - BORES AND KEYWAYS FOR FLEXIBLE COUPLINGS (METRIC SERIES)  
 AGMA 922-A96 - LOAD CLASSIFICATION AND SERVICE FACTORS FOR FLEXIBLE COUPLINGS  
 API610 / ISO 13709 - CENTRIFUGAL PUMPS FOR PETROLEUM, PETROCHEMICAL AND NATURAL GAS INDUSTRY, 11th Edition - Torsiflex-i meets the requirements of API610, 11th Edition when supplied with interference fit bores.  
 API671 / ISO 10441 - SPECIAL PURPOSE COUPLINGS FOR PETROLEUM, CHEMICAL AND GAS INDUSTRY SERVICES, 4th Edition  
 NEMA MG1 14.38, MG1 20.81 AND MG1 21.82 - All Form-Flex® & Torsiflex-i flexible disc couplings meet these standards without the addition of a limited end float device.

Certain tables and data in this catalog were extracted from the reference AGMA standards with the permission of the publisher, the American Gear Manufacturers Associations, 1901 North Meyer Drive, Arlington, VA 22209.

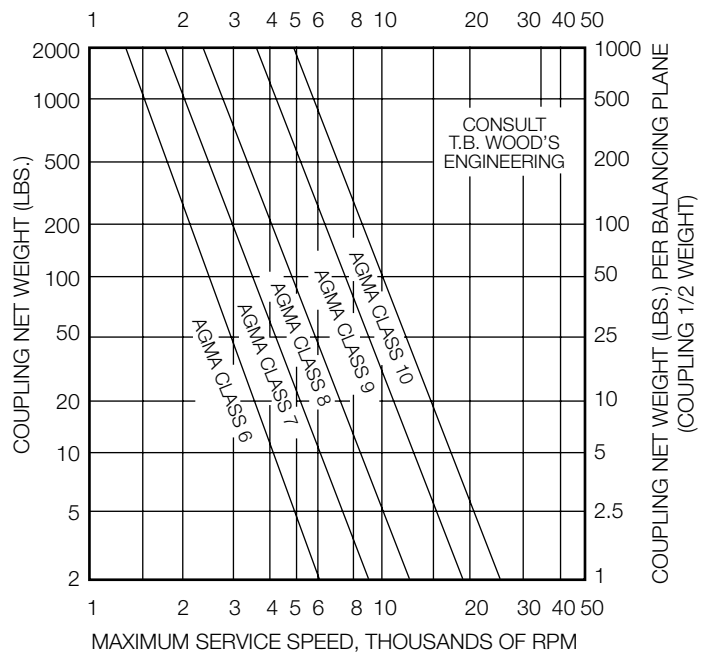
## DYNAMIC BALANCING RECOMMENDATIONS

Use this graph to determine the appropriate balance class based on coupling weight and operating speed. The balance classes listed on the graph are for equipment with average sensitivity to coupling unbalance. The user should determine how sensitive the equipment train is to coupling unbalance. Use one balance class higher if your system has higher than average sensitivity to unbalance. Use one balance class lower if your system has lower than average sensitivity to unbalance. Use this guide to check your coupling selection against the recommended balance class for your operating conditions.

The following factors should be considered when determining a machine's sensitivity to coupling unbalance.

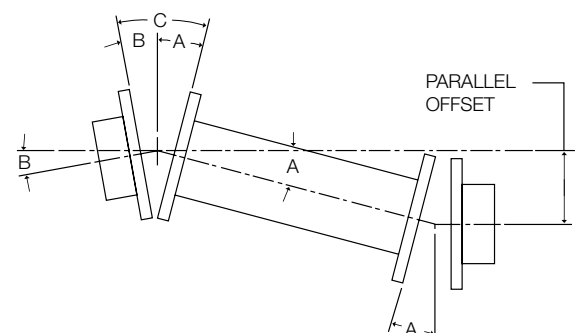
- 1) Shaft End Deflection: Machines having flexible shaft extensions are relatively sensitive to coupling unbalance.
- 2) Bearing Load Due to Coupling Weight Relative to Total Bearing Load: Machines having lightly loaded bearings, bearings that are primarily loaded by the weight of the coupling or other overhung weight are relatively sensitive to coupling unbalance.
- 3) Bearing, Bearing Support and Foundation Flexibility: Machines or systems with flexible foundations for supports for the rotating elements are relatively sensitive to coupling unbalance.
- 4) System Natural Frequencies: Machines operating at or near natural frequencies are sensitive to coupling unbalance.
- 5) Machine Separation: System having widely separated machines are relatively sensitive to coupling unbalance.
- 6) Shaft Extension Relative to Bearing Span: Machines having a short bearing span relative to their shaft extensions are sensitive to static unbalance.

BALANCE CLASS SELECTION CHART



## HOW FLEXIBLE DISC COUPLINGS ACCOMMODATE MISALIGNMENT

Double flexing metal disc couplings may be used to accommodate angular, parallel and axial misalignment. Single flexing couplings may only be used to accommodate angular and axial misalignment. A metal disc type coupling uses a double hinge effect through two flexible discs and the spacer to compensate for parallel offset misalignment between shafts. Parallel misalignment imposes the same angular deflection (A) on each flex disc. Angular misalignment of either connected shaft, (B), creates additional angular deflections which are added to the angular offset due to parallel misalignment. The total misalignment angle, (C), at the flex disc is equal to the angular offset due to parallel misalignment (A) plus the angular offset due to angular misalignment (B). The maximum misalignment angle (C) should never exceed the rated misalignment capacity of the coupling type being used. Machinery equipment changes in actual operation and over the life of the equipment. We recommend that the machinery misalignment be set as close to zero as possible when a coupling is installed. We recommend keeping the measured misalignment below 25% of the rated misalignment capacity of the coupling type used when the machinery is installed and aligned. The remaining coupling misalignment capacity will then be available to accommodate additional misalignment caused by foundation shifts, vibrations, thermal growth or other causes.

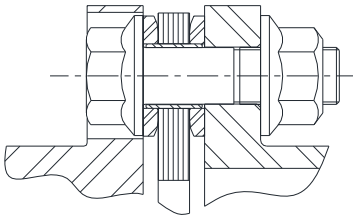


# Product Differentiation

Form-Flex® A - Series	Form-Flex® G - Series	Torsiflex-i TFI - Series
Higher bore capacity in low torque range	Higher Torque Density	Higher Torque Density and large bore capacity
1 ° Misalignment	.3 - .5 ° Misalignment	.3 - .5 ° Misalignment
Clearance Fit is standard	Interference Fit is standard	Interference Fit is standard
AGMA 7 balance class	AGMA 8 balance class	AGMA 9 balance class
Non-Unitized Flex Pack	Unitized Flex Pack	Factory assembled Transmission Unit
ATEX Group II/ Cat 3	ATEX Group II/ Cat 3	ATEX Group II/ Cat 2 Anti-Sparking design is standard
Low to Moderate Speeds	Low to Moderate Speeds	High to Moderate speeds

## DISC PACK DESIGN COMPARISON

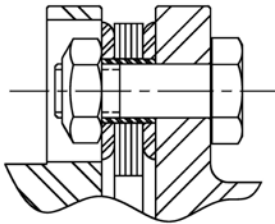
**Form-Flex® G-Series  
Sizes 311-380**



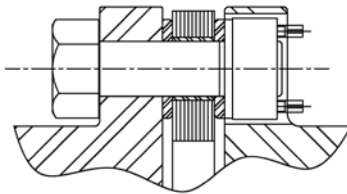
**UNITIZED**

- Disc pack force transferred to washer & hub interface
- Low bolt bending stress
- All torque transmitted through friction
- Higher torque capacity

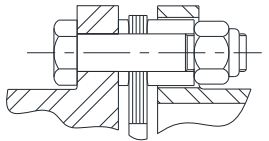
**Form-Flex® G-Series  
Sizes 340 & 412-511**



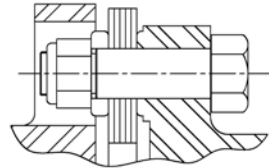
**Form-Flex® G-Series  
Sizes 517-540**



**Form-Flex®  
A-Series  
Sizes 5-35**



**Form-Flex®  
HSH/FSH**

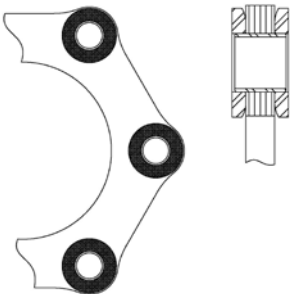


**NON-UNITIZED**

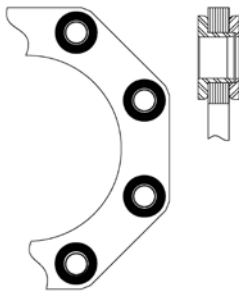
- Disc pack creates a bending moment on bolt
- High bolt bending stress
- Torque transmitted through shear and friction
- Lower torque capacity

## UNITIZED DISC DESIGNS

**Form-Flex®  
G-Series, Sizes 311-380  
(excluding 340)**

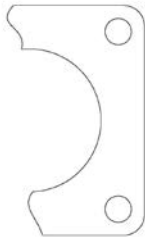


**Form-Flex®  
G-Series, Sizes 340 & 412-540**

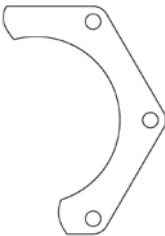


## NON-UNITIZED DISC DESIGNS

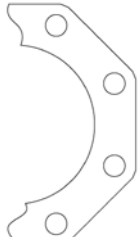
**Form-Flex®  
A-Series sizes 5-35**



**Torsiflex-i  
Sizes 27-1310**



**Torsiflex-i  
Sizes 1900-1200**



**Form-Flex®  
HSH/FSH**



# Spacer Couplings

---

## PRODUCT DESCRIPTION

- Designed for moderate to higher speed applications
- Construction includes:
  - Two fully machined steel hubs
  - One fully machined steel spool spacer
  - Standard hardware and stainless steel disc packs
- Form-Flex® A-Series designs use non-unitized disc packs
- Form-Flex® G-Series designs use unitized disc packs
- Torsiflex-i designs use a drop out transmission unit with non-unitized disc packs
- Custom length spacer up to max DBSE
- Balancing and other modifications to suit your special system requirements
- Can be bored for any shaft configuration (F5-40 for hub design options)



## TYPICAL APPLICATIONS

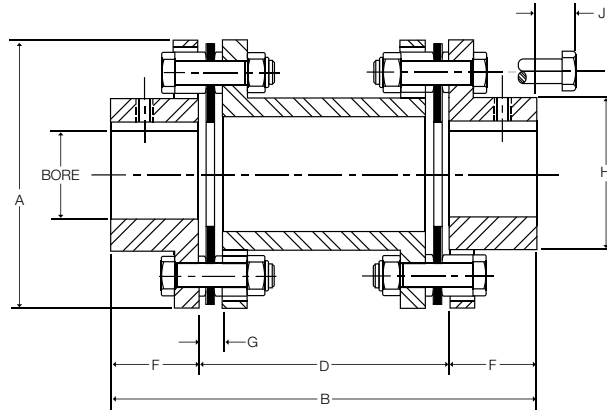
- Pumps
- Centrifugal and Screw Compressors
- Fans and Blowers
- Mixers
- Turbo Compressors

## SPECIAL APPLICATIONS

- Test Stands
- Machine Tools / Positioning Systems
- Electrical Insulation

# Spacer Coupling AP Series - Form-Flex®

## Double Flex Spacer



COUPLING CAN BE SUPPLIED TO API610 11TH EDITION

Size	Max Bore				Dimensions (in)								
	AJ		AZ		A	B		D DBSE		F	G	H	J
	(in)	(mm)	(in)	(mm)		Min	Max	Min	Max				
5	0.875	22	1.19	30	2.65	3.72	6.94	1.72	4.94	1.00	0.24	1.30	0.54
10	1.250	33	1.63	43	3.19	4.06	7.00	2.06	5.00	1.00	0.27	1.80	0.56
15	1.375	36	1.75	48	3.65	4.67	8.89	2.41	6.63	1.13	0.32	2.00	0.88
20	1.688	46	2.13	58	4.08	5.02	9.27	2.38	6.63	1.32	0.34	2.40	0.79
25	2.000	53	2.56	68	4.95	6.16	13.12	2.92	9.88	1.62	0.45	2.80	1.00
30	2.380	63	2.88	79	5.63	7.57	13.70	3.81	9.94	1.88	0.47	3.30	1.14
35	2.938	80	3.75	101	6.63	8.81	17.56	4.31	13.06	2.25	0.55	4.15	0.97

Dimensions are shown for standard AJ hubs unless otherwise specified.

Size	HP/100 RPM	Rated Torque (lb-in)	Peak O/L Torque (lb-in)	AGMA 7 Max RPM	Weight (lbs) (1)		WR <sup>2</sup> (lb-in <sup>2</sup> ) (1)		Misalignment Capacity	
					at D Min	Add Per Inch of D	at D Min	Add Per Inch of D	Axial (+/-in)	Angular (Degrees/Disc Pack)
5	0.48	300	600	8,500	2.32	0.14	1.87	0.05	0.030	1°
10	1.27	800	1,600	7,500	3.62	0.22	4.48	0.11	0.040	
15	2.5	1,575	3,150	6,700	5.44	0.26	8.86	0.19	0.042	
20	3.49	2,200	4,400	6,200	6.96	0.32	13.8	0.34	0.055	
25	6.03	3,800	7,600	5,500	12.7	0.41	38.8	0.62	0.060	
30	11	6,930	13,860	5,000	19	0.46	77.7	0.92	0.065	
35	18	11,340	22,680	4,400	27.6	0.63	156	2.29	0.085	

1) Weight and WR<sup>2</sup> values shown are for AJ hubs at max inch bore and spacer length at D Min

### STANDARD MATERIALS (CLASS A)

HUBS - CARBON STEEL

SPACER - CARBON STEEL

HARDWARE - ALLOY STEEL

DISC PACK - STAINLESS STEEL

### MATERIAL / FINISH OPTIONS

CLASS A - Steel hubs and spacer, alloy steel hardware, 300 series stainless steel disc pack

CLASS B - Zinc plated steel hubs, and spacer, alloy steel hardware, 300 series stainless steel disc pack

CLASS C - Zinc plated steel hubs, and spacer, stainless steel hardware, 300 series stainless steel disc pack

CLASS E - 300 series stainless steel hubs and spacer, stainless steel hardware, 300 series stainless steel disc pack

(Only available for sizes 15 thru 35)

### ORDERING

AP SERIES COUPLINGS ARE SOLD AS COMPONENTS

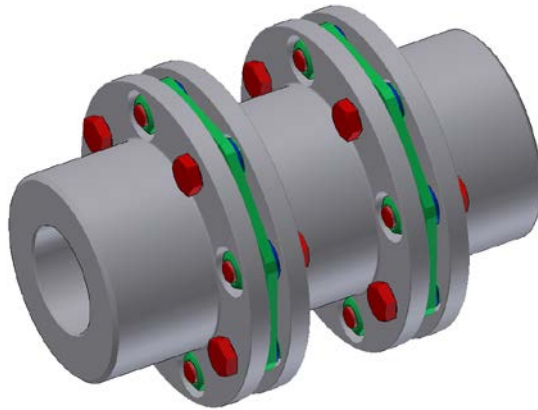
COUPLINGS CONSIST OF:

2 - HUBS - Example (AJ25A x 1-3/4")

1 - SPACER SUB-ASSEMBLY - Example for DBSE = 5.00" (AP25A500)

# Spacer Coupling GP Series - Form-Flex®

## Double Flex Spacer



Size	Torque Rating			Max Speed (RPM)		Weight (lbs) (1)		WR <sup>2</sup> (lb-in <sup>2</sup> ) (1)		Misalign-ment Capacity	
	HP / 100 (RPM)	Max Continuous (lb-in)	Peak Overload (lb-in)	AGMA 8	ABS. Max	at D Min	Add Per Inch of D	at D Min	Add Per Inch of D	Axial (+/- in)	Angular (Degrees/ Disc Pack)
311	17	11,000	22,000	5,400	13,000	16.20	0.62	66.70	2.09	0.028	0.5°
321	33	20,500	41,000	4,900	12,000	25.75	0.66	123.01	2.54	0.029	
332	51	32,000	64,000	4,400	11,500	40.27	0.94	242.39	4.27	0.030	
346	73	46,000	92,000	4,100	9,000	54.42	1.03	429.27	6.94	0.050	
380	127	80,000	160,000	3,800	7,000	79.30	1.20	792.67	8.75	0.080	
412	190	120,000	240,000	3,500	6,000	110.1	1.45	1607.6	13.29	0.080	0.33°
419	301	190,000	380,000	3,000	5,000	197.8	2.32	3660.0	27.92	0.100	
424	476	300,000	600,000	2,750	5,000	287.6	3.08	8127.6	62.49	0.100	
444	690	435,000	870,000	2,500	4,000	413.3	3.38	13587	87.03	0.110	
456	1015	640,000	1,280,000	2,350	3,500	539	4.73	21896	133.5	0.120	
483	1317	830,000	1,660,000	2,200	3,500	727	5.36	33653	195.1	0.130	
511	1904	1,200,000	2,400,000	2,050	3,000	978	6.75	60082	310.3	0.140	
520	3173	2,000,000	4,000,000	1,750	2,500	1752	10.14	114979	586.5	0.180	
525	3967	2,500,000	5,000,000	1,700	2,500	2113	11.07	185975	762.5	0.200	
530	4760	3,000,000	6,000,000	1,600	2,500	2533	15.43	243383	1160.9	0.200	
540	6347	4,000,000	8,000,000	1,450	2,000	3831	19.23	557906	2247.7	0.240	

1) Weight and WR<sup>2</sup> values shown are for standard hubs at max inch bore and spacer length at D Min

### STANDARD MATERIALS

HUBS - CARBON STEEL

SPACER - CARBON STEEL

HARDWARE - ALLOY STEEL

DISC PACK - STAINLESS STEEL

### MATERIAL / FINISH OPTIONS

DISC PACK - ALLOY STEEL (For cost reduction, available for sizes 412 to 540)

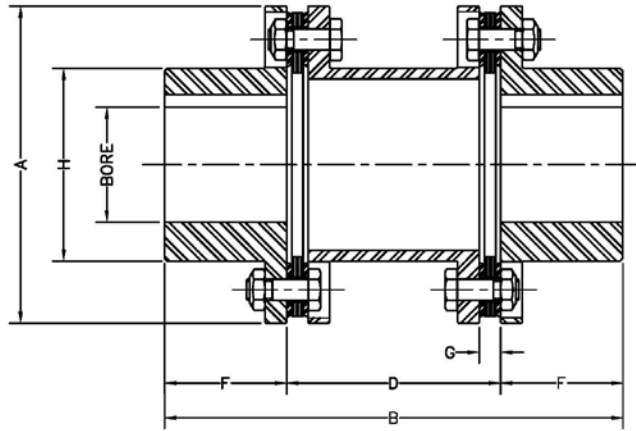
ZINC ELECTRO PLATING

ZINC PHOSPHATE COATING

ALLOY STEEL HUBS

# Spacer Coupling GP Series - Form-Flex®

## Double Flex Spacer



COUPLING CAN BE SUPPLIED TO API610 11TH EDITION

Size	Max Bore						Common Coupling Dimensions (in)								
	Standard Hub			Oversized/Large Hub			A	B		D DBSE		F	G	H	
	Square Key (in)	Rect. Key (in)	Rect. Key (mm)	Square Key (in)	Rect. Key (in)	Rect. Key (mm)		Min	Max	Min	Max			Std Hub	O/S Hub
311	2.813	3.063	78	3.125	3.313	86	5.88	8.06	17.75	3.06	12.75	2.50	0.40	3.91	4.30
321	3.000	3.250	83	3.250	3.438	90	6.38	10.13	19.06	4.13	13.06	3.00	0.55	4.25	4.57
332	3.188	3.313	87	3.438	3.688	95	7.20	11.00	19.19	5.00	13.19	3.50	0.61	4.50	4.95
346	3.750	4.000	107	4.250	4.500	117	8.20	11.00	25.19	5.00	19.19	3.75	0.62	5.42	5.95
380	3.750	4.000	105	4.250	4.500	118	9.36	15.00	28.00	6.75	19.75	4.13	0.89	5.65	6.30
412	4.500	4.500	120	4.750	5.125	135	11.00	14.19	27.94	5.69	19.44	4.25	0.75	6.51	7.20
419	4.500	4.875	130	5.500	5.625	150	12.50	17.69	29.94	7.69	19.94	5.00	0.98	7.32	8.07
424	6.625	6.880	190				15.00	20.19	32.44	7.69	19.94	6.25	0.98	9.57	
444	7.000	7.375	200				16.38	22.75	34.13	8.75	20.13	7.00	1.09	10.52	
456	8.000	8.000	220				18.00	24.31	35.13	9.81	20.63	7.25	1.32	11.63	
483	8.250	8.875	234				19.44	27.69	37.75	10.69	20.75	8.50	1.39	12.56	
511	10.000	10.125	280				22.00	29.69	39.06	11.69	21.06	9.00	1.56	14.50	
520	10.375	11.000	297				24.88	38.50	45.50	14.75	21.75	11.88	1.89	16.10	
525	11.000	12.000	322				26.75	39.38	45.88	15.38	21.88	12.00	1.95	17.35	
530	11.500	12.750	338				28.00	41.88	47.75	16.38	22.25	12.75	2.14	18.35	
540	15.750	17.000	448				33.50	49.00	54.13	19.00	24.13	15.00	2.58	22.63	

### ORDERING

GP SERIES COUPLINGS ARE SOLD AS COMPLETE ASSEMBLIES  
 PLEASE SPECIFY BORE SIZES, DISC PACK MATERIAL AND DBSE.  
 A COUPLING WILL BE CONFIGURED TO MEET YOUR SPECIFICATIONS.

# Pump Spacer Coupling TFI Series - Torsiflex-i

## API610/ISO13709 | Double Flex Spacer

### Torsiflex-i Disc Couplings Specifically designed for the process pump and general industrial markets.

The TFI coupling is specifically designed for the process pump and general industrial applications. It is comprised of two fully machined steel hubs, and a factory assembled drop out transmission unit. Standard spacer lengths are stock or it can be ordered for any custom spacing. This coupling is suitable for moderate to high speed operation on a wide range of general purpose motor and turbine driven equipment, including pumps, compressors and fans.



#### Advantages

- Standard coupling is fully compliant with the requirements of API610/ISO13709 & ISO14691
- Max bores matched to NEMA motor shafts, resulting in up to 60% weight savings per application
- Smaller diameter and lower weight per HP provide better inherent balance
- Plug-in spacer design allows installation and removal without disturbing the hubs
- Robust disc pack design allows for greater torque load in a smaller coupling, resulting in lower weight
- Large bolts for high clamp load, increasing frictional torque load, and reduced bolt bending stress
- ATEX compliance is standard — ExII 2GDc135degC(T4)
- Built-in Anti-Flail Feature
- Large hubs available on first three sizes
- Compliance with API 671/ISO 10441 is available

#### Standard Materials

Hubs - Carbon Steel  
Adapters - Carbon Steel  
Spacer - Carbon Steel  
Disc Pack - Stainless Steel  
Hardware - Alloy Steel  
O/L Washers - High Strength  
“Non-Sparking” Material

#### Standard Finish

Zinc phosphate coating on hubs, spacers and adapters.

#### Features

- Torsiflex-i couplings consist of 2 hubs and a factory assembled transmission unit. Installation involves fitting the hubs to the machinery shaft ends, introducing the transmission unit, then securing with the attachment screws
- MAXIMUM SPEEDS shown are for standard materials. When higher speeds are required please consult TB Woods Engineering.
- AGMA 9 BALANCE CLASS is met when hubs are bored for interference fit.
- PEAK TORQUE of 1.75 and MOMENTARY TORQUE of 2.7 times the stated ratings are accepted
- SPARK FREE overload protection is provided as a standard feature on all Torsiflex-i couplings, making them suitable for GAS ZONE environments
- STANDARD COUPLINGS are designed for general purpose applications and are suitable for the majority of process pump, fan, and compressors applications
- SPECIAL COUPLING versions available include:
  - Torque overload protection
  - Limited end float
  - Electrical Insulation
  - Bolted adapters suitable for high cyclic torques

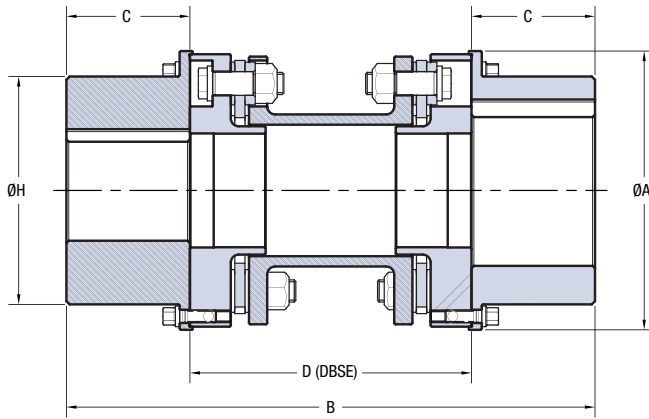
#### Material / Finish Options

Disc Pack - Inconel  
Zinc Electro Plating  
Alloy Steel Hubs  
Welded Tube Spacer for Longer Spans

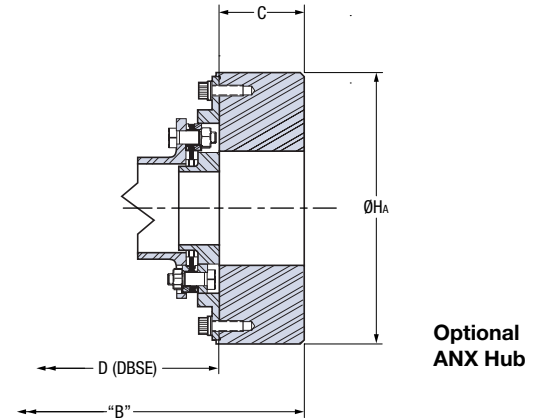


# Pump Spacer Coupling TFI Series - Torsiflex-i

## API610/ISO13709 | Double Flex Spacer



Standard Torsiflex-i Coupling



Optional ANX Hub

Size	Coupling Dimensions (in)						Max Bore						Stock Spacer Length (in) <sup>(2)</sup>							
	A	B	C	H	HA	Min DBSE <sup>(1)</sup>	Square Key			Reduced Key			3.50	4.38	5.00	5.50	7.00	7.50	8.00	9.00
							Standard Hub (in)	Large Hub (in)	ANX Hub (in)	Standard Hub (in / [mm])	Large Hub (in / [mm])	ANX HUB (mm)								
27	3.35	5.91	1.57	2.143	4.776	2.76	1.56	2.25	3.00	1.69 [42]	2.25 [57]	82	S	S	S	S	S	O	O	O
38	4.21	6.30	1.77	2.891	5.647	2.76	2.19	3.00	3.75	2.25 [58]	3.00 [76]	104	S	S	S	S	S	O	O	O
140	5.00	9.84	2.95	3.757	6.526	3.94	2.75	-	4.50	2.94 [75]	-	121		S	S	S	S	O	O	O
260	6.06	11.42	3.35	4.662	7.589	4.72	3.44	-	5.25	3.69 [95]	-	145			S	S	S	O	O	O
400	6.93	13.78	4.13	5.568	8.874	5.51	4.19	-	6.00	4.50 [116]	-	165					S	S	S	O
750	7.99	16.14	4.72	6.46	10.09	6.69	4.63	-	6.50	5.00 [132]	-	192					S	S	S	O
1310	9.49	19.29	5.71	7.76	11.567	7.87	5.63	-	7.50	6.13 [162]	-	226							S	S
1900	10.98	19.69	5.91	9.17	13.064	7.87	6.75	-	9.00	7.00 [192]	-	260							S	S
2500	11.65	21.57	6.46	9.45	13.733	8.66	6.88	-	9.50	7.13 [197]	-	276								S
3300	12.84	23.78	7.17	10.63	-	9.45	7.63	-	-	8.25 [220]	-	-								
6000	15.55	28.35	9.06	12.68	-	10.24	9.00	-	-	9.88 [265]	-	-								
8500	17.44	33.07	10.24	14.37	-	12.60	10.63	-	-	11.25 [302]	-	-								
12000	19.45	36.38	11.50	16.02	-	13.39	11.50	-	-	12.75 [337]	-	-								

\* For Large Hub H = A

(1) The inclusion of additional features such as packing rings, shims and/or electrical insulation will increase the minimum DBSE (Distance Between Shaft Ends)

(2) S = Stocked length ; O = Optional length

Size	Torque Rating		Max Speed RPM	Weight Transmission Unit (lb)			Weight Unbored Hub (lb) (3)			Angular Misalignment	Axial Deflection (in)
	HP / 100 RPM	(lb-in)		Mass @ Min DBSE	ANX Adder Per End	Extra Per (inch)	Standard	Large	ANX		
27	3.79	2,390	20,000	3.0	0.443	0.17	1.9	3.80	7.5	.5°	0.019
38	5.34	3,363	16,500	4.3	0.497	0.25	3.81	6.75	12		0.019
140	19.7	12,391	12,000	10.1	0.638	0.39	9.76	-	32.9		0.019
260	36.5	23,013	10,000	17.2	0.724	0.57	16.94	-	56.8		0.024
400	56.2	35,404	8,500	28.4	1.73	0.80	29.63	-	91.5		0.055
750	105	66,383	7,500	46.7	3.821	1.26	46.1	-	140.3		0.071
1310	184	115,948	6,500	80.7	3.948	1.49	80.2	-	213.7		0.087
1900	267	168,169	5,600	100	-5.178	1.84	109	-	310	.33°	0.059
2500	351	221,275	5,200	132	-6.983	2.24	133	-	375.5		0.067
3300	463	292,083	4,900	179	-	2.73	186	-	-		0.071
6000	843	531,060	4,000	273	-	4.10	333	-	-		0.094
8500	1194	752,335	3,600	439	-	5.39	485	-	-		0.11
12000	1685	1,062,120	3,000	569	-	6.64	686	-	-		0.118

(3) For Finish Bore Hub weight = Weight Unbored hub - .222 \* Hub Length \* Bore Dia.^2

### ORDERING

TF SERIES COUPLINGS ARE SOLD AS COMPONENTS

COUPLINGS CONSIST OF:

2 - HUBS - Example (TFI0038 x 2.00 mm)

1 - TRANSMISSION UNIT - Example for DBSE = 5.00" (TFI0038SA500MM)



# Pump Spacer Coupling TFI Series w/ Torsi-Lock - Torsiflex-i

## API610/ISO13709 | Double Flex Spacer

- All Torsi-Lock devices must be sized to transmit the actual application Peak Torque. The data table shows a comparison of the Torsi-Lock torque transmissibility to the coupling Peak Torque Rating as a reference. The table below does not show all possible Torsi-Lock sizes and ranges. For any Torsi-Lock requirement beyond those detailed here, please consult TB Woods Engineering (see the catalog back cover for contact information).



- To determine the actual transmissible torque, as well as the actual combined hub plus Torsi-Lock device weight, from the data table, linearly interpolate between the range of values given for min and max shaft diameter. See the example interpolation calculation to the right.

- The data table is applicable to keyless shaft applications only. For keyed shaft applications, either:
  - Use a half key in the shaft and deduct the transmissible torque value of the Torsi-Lock by 10%
  - Use a full height key and the overkey dimension as the Shaft Size (dw) to determine the correct Torsi-Lock size.

Torsi-Lock Size				20	22	24	30	36	40	44	48	50	55	62	68	75	80	90	100																																												
Shaft Size Range	DW	Min (over)	in	0.630	0.709	0.787	0.827	1.024	1.220	1.339	1.417	1.575	1.654	1.890	2.047	2.362	2.559	2.756	2.953																																												
			mm	16	18	20	21	26	31	34	36	40	42	48	52	60	65	70	75																																												
		Max (incl)	in	0.709	0.787	0.827	1.024	1.220	1.339	1.417	1.575	1.654	1.890	2.047	2.362	2.559	2.756	2.953	3.150																																												
			mm	18	20	21	26	31	34	36	40	42	48	52	60	65	70	75	80																																												
Transmissible Torque (x1000)		TMin	lb-in	1.15	1.50	1.86	1.71	3.45	4.96	6.28	6.46	9.29	10.3	15.5	17.7	22.1	28.3	42.0	61.1																																												
		TMax	lb-in	1.59	2.04	2.21	3.36	5.58	7.08	7.61	9.82	12.2	16.6	19.9	27.9	35.0	40.7	64.2	79.7																																												
Torsi-Lock Device Dims	O.A.L.	L1	in	0.89	0.89	0.91	0.98	1.07	1.11	1.18	1.18	1.26	1.36	1.38	1.38	1.50	1.50	1.75	1.95																																												
	O.D.	Ht	in	1.89	1.89	1.97	2.36	2.83	2.95	3.15	3.15	3.54	3.94	4.33	4.53	5.43	5.71	6.10	6.69																																												
	Weight	Wt	lb	0.44	0.44	0.44	0.66	1.10	1.10	1.32	1.21	1.76	2.43	2.87	3.09	5.29	5.51	7.28	10.4																																												
Coupling Size	TFI0027			1.48	1.47	1.46	1.77	2.24	2.19	2.44	2.40	2.87	3.69																																																		
				1.44	1.43	1.44	1.64	2.07	2.08	2.36	2.21	2.76	3.33																																																		
				1.47	1.47	1.49	1.57	1.65	1.69	1.76	1.76	1.84	1.94																																																		
	TFI0038				2.57	2.56	2.87	3.32	3.25	3.49	3.44	3.89	4.70	5.14	5.43	7.53																																															
					2.53	2.53	2.72	3.13	3.12	3.40	3.23	3.77	4.30	4.84	4.76	7.04																																															
					1.65	1.67	1.75	1.83	1.87	1.94	1.94	2.02	2.12	2.14	2.14	2.26																																															
	TFI0140								3.79	4.04	3.99	4.46	5.29	5.76	6.08	8.23	8.40	10.8	14.8																																												
									3.67	3.95	3.80	4.35	4.92	5.48	5.47	7.78	7.91	10.2	14.1																																												
									1.69	1.76	1.76	1.84	1.94	1.96	1.96	2.08	2.08	2.33	2.53																																												
	TFI0260												6.29	6.74	7.55	7.99	8.28	10.4	10.5	12.9	16.8																																										
													6.08	6.62	7.16	7.69	7.62	9.89	9.98	12.3	16.1																																										
													1.94	2.02	2.12	2.14	2.26	2.26	2.51	2.71	2.71																																										
	TFI0400														9.69	9.99	12.1	12.2	14.6	18.5																																											
															9.40	9.32	11.6	11.7	14.0	17.8																																											
														2.14	2.14	2.26	2.26	2.51	2.71	2.71																																											
TFI0750																	15.8	18.2	22.1																																												
																	15.3	17.5	21.3																																												
																	2.38	2.63	2.83																																												
TFI1310																		25.4	29.2																																												
																		24.7	28.4																																												
																		2.80	2.99																																												
TFI1900			<b>Example (Coupling Size 1310):</b> <table border="1" style="width: 100%; text-align: center;"> <thead> <tr> <th>90</th><th>100</th><th>110</th><th>115</th><th>125</th><th>140</th><th>155</th><th>165</th><th>175</th><th>185</th><th>195</th> </tr> </thead> <tbody> <tr> <td>25.4</td><td>29.2</td><td>33.1</td><td>33.5</td><td>33.2</td><td>38.4</td><td>41.0</td><td>48.9</td><td>54.7</td><td>63.0</td><td>79.3</td> </tr> <tr> <td>24.7</td><td>28.4</td><td>32.1</td><td>31.4</td><td>30.8</td><td>33.1</td><td>36.4</td><td>47.1</td><td>50.8</td><td>58.8</td><td>74.3</td> </tr> <tr> <td>2.80</td><td>2.99</td><td>3.29</td><td>3.45</td><td>3.35</td><td>3.35</td><td>3.35</td><td>3.80</td><td>3.80</td><td>3.80</td><td>4.19</td> </tr> </tbody> </table> <p>Transmits less than Peak Starting Torque Rating of the Coupling. Therefore the actual Transmissible Torque must be compared against the Application Peak Torque.</p> <p>Transmits more than Peak Starting Torque Rating of the Coupling.</p>																	90	100	110	115	125	140	155	165	175	185	195	25.4	29.2	33.1	33.5	33.2	38.4	41.0	48.9	54.7	63.0	79.3	24.7	28.4	32.1	31.4	30.8	33.1	36.4	47.1	50.8	58.8	74.3	2.80	2.99	3.29	3.45	3.35	3.35	3.35	3.80	3.80	3.80	4.19
90	100	110	115	125	140	155	165	175	185	195																																																					
25.4	29.2	33.1	33.5	33.2	38.4	41.0	48.9	54.7	63.0	79.3																																																					
24.7	28.4	32.1	31.4	30.8	33.1	36.4	47.1	50.8	58.8	74.3																																																					
2.80	2.99	3.29	3.45	3.35	3.35	3.35	3.80	3.80	3.80	4.19																																																					
TFI2500																																																															
TFI3300																																																															
TFI6000																																																															
TFI8500																																																															
TFI12000																																																															

# Pump Spacer Coupling TFI Series w/ Torsi-Lock - Torsiflex-i

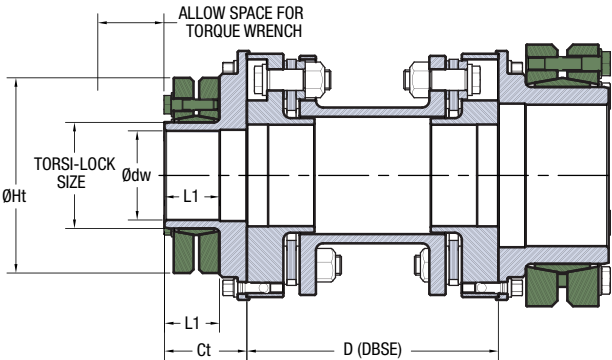
## API610/ISO13709 | Double Flex Spacer

### Example Interpolation Calculation

To interpolate Torsi-Lock table data for a TF 0260 with a size 115 Torsi-Lock for a bore of 3.625":

Y	Z	3.346	dw MIN (Min. Bore)	Target Weight $w = w1 + \frac{Z}{Y} (X)$
		3.625	B (Target Bore)	
		3.740	dw MAX (Max. Bore)	
X	W	21.3	w1 (Wt. @ dw MIN)	Where: Z = B - dw MIN Y = dw MAX - dw MIN X = w2 - w1
		19.3	w2 (Wt. @ dw MAX)	
			(Target Wt.)	

Note that the same method can be used to determine actual Torsiloc transmissible torque ratings for bores that are in between the min and max.



110	115	125	140	155	165	175	185	195	200	220	240	260	280	300	320	340	350	360	380	390
3.150	3.346	3.740	4.134	4.921	5.512	5.709	6.102	6.496	6.890	7.283	7.874	8.465	9.252	9.843	10.630	11.417	12.008	12.205	12.598	12.992
80	85	95	105	120	140	145	155	165	175	185	200	215	235	250	270	290	305	310	320	330
3.346	3.740	4.134	4.921	5.512	5.709	6.102	6.496	6.890	7.283	7.874	8.465	9.252	9.843	10.630	11.417	12.008	12.205	12.598	12.992	13.780
85	95	105	125	140	145	155	165	175	185	200	215	235	250	270	290	305	310	320	330	350
63.7	81.4	93.4	124	99	283	345	412	558	655	733	1,000	1,204	1,513	1,885	2,301	2,655	3,292	3,186	3,850	4,470
95.6	133	122	181	257	341	407	478	642	748	929	1,190	1,478	1,841	2,257	2,664	2,983	3,540	3,673	4,133	5,098
2.24	2.40	2.31	2.31	2.31	2.76	2.76	2.76	3.15	3.15	3.71	3.71	4.03	4.50	4.50	4.58	4.58	5.31	5.31	5.87	5.87
7.28	7.28	7.28	8.66	9.65	10.24	10.83	11.61	12.40	12.99	13.58	14.57	15.55	16.73	18.11	19.49	21.06	21.46	21.85	23.03	23.43
13.0	13.2	13.2	17.6	22.1	30.9	35.3	44.1	59.5	66.2	77.2	97.0	106	132	165	185	221	265	276	331	344
20.7	21.3																			
19.9	19.3																			
3.01	3.16																			
22.4	23.0	22.8	28.2																	
21.6	21.0	20.7	23.3																	
3.01	3.16	3.07	3.07																	
26.0	26.5	26.2	31.6	34.4																
25.1	24.4	24.0	26.5	30.0																
3.13	3.28	3.19	3.19	3.19																
33.1	33.5	33.2	38.4	41.0	48.9	54.7	63.0	79.3												
32.1	31.4	30.8	33.1	36.4	47.1	50.8	58.8	74.3												
3.29	3.45	3.35	3.35	3.35	3.80	3.80	3.80	4.19												
41.5	42.0	41.6	46.8	49.2	57.1	62.8	71.0	87.2	91.0	109										
40.6	39.8	39.2	41.3	44.5	55.1	58.8	66.7	82.2	85.7	98.9										
3.37	3.52	3.43	3.43	3.43	3.88	3.88	3.88	4.27	4.27	4.84										
	50.0	49.4	54.5	56.7	64.3	69.9	78.0	94.0	97.5	115	137									
	47.7	46.9	48.8	51.7	62.3	65.7	7.5	88.8	92.0	105	126									
	3.70	3.60	3.60	3.60	4.05	4.05	4.05	4.44	4.44	5.01	5.01									
			62.0	64.2	71.7	77.4	85.4	101	105	122	144	157								
			56.2	59.2	69.7	73.2	80.9	96.2	99.5	112	133	141								
			3.60	3.60	4.05	4.05	4.05	4.44	4.44	5.01	5.01	5.32								
				87.6	95.0	101	108	124	128	148	166	179	207	244	262					
				82.5	93.0	96.3	104	119	122	135	155	162	192	222	239					
				3.75	4.19	4.19	4.19	4.59	4.59	5.15	5.15	5.47	5.94	5.94	6.02					
					132	140	155	158	175	196	208	236	271	289	321	364	381			
					127	135	150	152	164	184	191	220	249	265	302	357	366			
					4.43	4.43	4.82	4.82	5.39	5.39	5.70	6.17	6.17	6.25	6.25	6.99	6.99			
								191	193	210	231	243	270	305	322	353	396	413	487	499
								185	187	199	219	225	254	282	297	334	389	397	470	463
								4.98	4.98	5.55	5.55	5.86	6.33	6.33	6.41	6.41	7.15	7.15	7.70	7.70

79.3 — Combined weight of the hub and Torsi-Lock device at the MIN shaft diameter.

74.4 — Combined weight of the hub and Torsi-Lock device at the MAX shaft diameter.

4.19 — Ct: Overall hub length thru bore (not including pilot lip)

# Floating Shaft Couplings

---

## PRODUCT DESCRIPTION

- Used for coupling spans that are greater than max catalog length for fully machined spacer designs
- Designed for moderate speed applications
- Construction includes:
  - Two fully machined steel hubs
  - One dynamically balanced welded or composite tube spacer
  - Standard hardware and stainless steel disc packs
- Form-Flex® A-Series designs use non-unitized disc packs
- Form-Flex® G-Series designs use unitized disc packs
- Spacers are configured for any custom length up to D-max shown per operating speed
- Can be bored for any shaft configuration (see page F5-40 for hub design options)

## TYPICAL APPLICATIONS

- Fans
- Turbo Compressors
- Vertical Pumping
- Cooling Tower
- Printing Press
- Paper Machines

## SPECIAL APPLICATIONS

- Mine Ventilation
- Dynamometers
- Test Stands
- Dredging Equipment
- Lift Tables

## DESIGN VARIATIONS

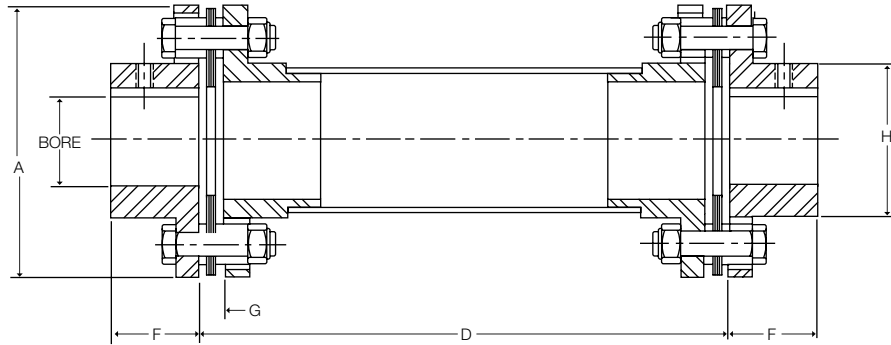
- A5/G5 - Welded Steel Tube
- A6/G6 - Welded Steel Tube - Vertical
- A7/G7 - Welded Steel Tube - Semi-Floating Spacer
- A5C/G5C - Composite Tube
- A6C/G6C - Composite Tube - Vertical
- A7C/G7C - Composite Tube - Semi-Floating

Large tube designs are available for speeds greater than catalog limits or for torsional tuning. Consult TB Wood's engineering for more info.



# Floating Shaft Spacer Coupling A5 Series - Form-Flex®

## Double Flex Floating Shaft



Size	Max Bore				Dimensions (in)					Max D (in) for RPM Shown					
	AJ		AZ		A	D Min	F	G	H	1800	1500	1200	900	750	600
	(in)	(mm)	(in)	(mm)											
5	0.875	22	1.19	30	2.65	4.94	1.00	0.24	1.30	51	56	62	71	78	87
10	1.250	33	1.63	43	3.19	5.00	1.00	0.27	1.80	62	69	76	88	96	107
15	1.375	36	1.75	48	3.65	6.63	1.13	0.32	2.00	64	71	79	91	99	111
20	1.688	46	2.13	58	4.08	6.63	1.32	0.34	2.40	73	81	90	103	113	126
25	2.000	53	2.56	68	4.95	9.88	1.62	0.45	2.80	79	87	97	112	122	137
30	2.380	63	2.88	79	5.63	9.94	1.88	0.47	3.30	85	94	102	120	132	147
35	2.938	80	3.75	101	6.63	13.06	2.25	0.55	4.15	97	107	119	137	150	168

Dimensions are shown for standard AJ hubs unless otherwise specified.

Size	HP/100 RPM	Rated Torque (lb-in)	Peak O/L Torque (lb-in)	Weight (lbs) (1)		WR <sup>2</sup> (lb-in <sup>2</sup> ) (1)		Misalignment Capacity	
				at D min	Add Per Inch of D	at D min	Add Per Inch of D	Axial (+/-in)	Angular (Degrees/Disc Pack)
5	0.48	300	600	2.71	0.11	1.93	0.03	0.030	1°
10	1.27	800	1,600	4.14	0.10	4.83	0.07	0.040	
15	2.5	1,575	3,150	6.14	0.10	9.36	0.07	0.042	
20	3.49	2,200	4,400	8.69	0.21	15.36	0.22	0.055	
25	6.03	3,800	7,600	14.98	0.20	42.07	0.29	0.060	
30	11	6,930	13,860	22.78	0.29	84.97	0.56	0.065	
35	18	11,340	22,680	32.02	0.40	170.84	1.32	0.085	

1) Weight and WR<sup>2</sup> values shown are for AJ hubs at max inch bore and spacer length at D Min

### STANDARD MATERIALS (CLASS A)

HUBS - CARBON STEEL

SPACER - CARBON STEEL

HARDWARE - ALLOY STEEL

DISC PACK - STAINLESS STEEL

### ORDERING

A5 Series couplings are sold as complete assemblies. Please specify hub types and bore sizes, DBSE (D) dimension, speed for dynamic balancing, and material class. A coupling will be configured to meet your specifications.

### MATERIAL / FINISH OPTIONS

CLASS A - Steel hubs and spacer, alloy steel hardware, 300 series stainless steel disc pack

CLASS B - Zinc plated steel hubs, and spacer, alloy steel hardware, 300 series stainless steel disc pack

CLASS C - Zinc plated steel hubs, and spacer, stainless steel hardware, 300 series stainless steel disc pack

CLASS E - 300 series stainless steel hubs and spacer, stainless steel hardware, 300 series stainless steel disc pack

(Only available for sizes 15 thru 35)

# Floating Shaft Spacer Coupling G5 Series - Form-Flex®

## Double Flex Floating Shaft



Size	Torque Rating			Weight (1) (lb)		WR <sup>2</sup> (1) (lb-in <sup>2</sup> )		Misalignment Capacity	
	HP / 100 (RPM)	Max Continuous (lb-in)	Peak Overload (lb-in)	at D Min	Add Per Inch	at D Min	Add Per Inch	Axial (+/- in)	Angular (Degrees/ Disc Pack)
311	17	11,000	22,000	22.67	0.39	86.75	1.28	0.028	0.5°
321	33	20,500	41,000	32.24	0.44	148.2	1.88	0.029	
332	51	32,000	64,000	47.06	0.47	271.2	2.24	0.030	
346	73	46,000	92,000	77.73	1.11	568.7	6.95	0.050	
380	127	80,000	160,000	102.5	1.17	944.6	8.04	0.080	
412	190	120,000	240,000	151.5	2.04	1,972.6	19.15	0.080	0.33°
419	301	190,000	380,000	248.2	2.21	4,137	24.24	0.100	
424	476	300,000	600,000	358.3	3.04	9,456	63.33	0.100	
444	690	435,000	870,000	502.2	3.38	15,621	86.52	0.110	
456	1015	640,000	1,280,000	633.6	4.89	24,595	147.92	0.120	
483	1317	830,000	1,660,000	880.0	5.11	37,972	169.02	0.130	
511	1904	1,200,000	2,400,000	1132	5.11	64,246	169.02	0.140	
520	3173	2,000,000	4,000,000	CONSULT TB WOOD'S				0.180	
525	3967	2,500,000	5,000,000					0.200	
530	4760	3,000,000	6,000,000					0.200	
540	6347	4,000,000	8,000,000					0.240	

1) Weight and WR<sup>2</sup> values shown are for standard at max inch bore and spacer length at D Min

### STANDARD MATERIALS

HUBS - CARBON STEEL

SPACER - CARBON STEEL

HARDWARE - ALLOY STEEL

DISC PACK - STAINLESS STEEL

### MATERIAL OPTIONS

DISC PACK - ALLOY STEEL (for cost reduction, only available on sizes 412 to 540)

ZINC ELECTRO PLATING

ZINC PHOSPHATE COATING

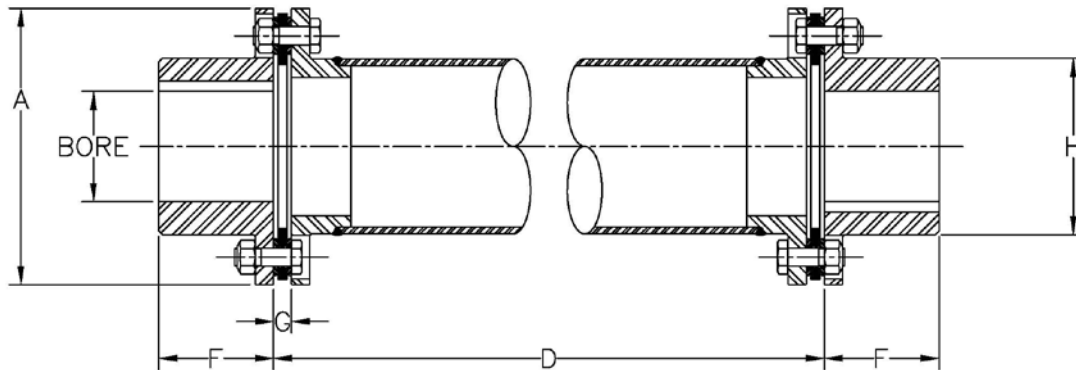
ALLOY STEEL HUBS

### DESIGN VARIATIONS

- G5 - Welded Steel Tube
- G6 - Welded Steel Tube—Vertical
- G7 - Welded Steel Tube—Semi-Floating Spacer
- G5C - Composite Tube
- G6C - Composite Tube—Vertical
- G7C - Composite Tube— Semi-Floating

# Floating Shaft Spacer Coupling G5 Series - Form-Flex®

## Double Flex Floating Shaft



Size	Max Bore						Common Coupling Dimensions (in)								Max D (in) for RPM Shown					
	Standard Hub			Oversized/Large Hub			A	D Min	F	G	H		Tube		1800	1500	1200	900	750	600
	Square Key (in)	Rect. Key (in)	Rect. Key (mm)	Square Key (in)	Rect. Key (in)	Rect. Key (mm)					Std Hub	O/S Hub	OD	ID						
311	2.813	3.063	78	3.125	3.313	86	5.88	12.750	2.50	0.40	3.91	4.30	3.63	3.39	94	103	116	134	146	164
321	3.000	3.250	83	3.250	3.438	90	6.38	13.063	3.00	0.55	4.25	4.57	4.00	3.76	101	110	124	143	156	175
332	3.188	3.313	87	3.438	3.688	95	7.20	13.188	3.50	0.61	4.50	4.95	4.25	4.01	104	114	127	147	161	180
346	3.750	4.000	107	4.250	4.500	117	8.20	19.188	3.75	0.62	5.42	5.95	5.25	4.75	111	122	136	157	172	192
380	3.750	4.000	105	4.250	4.500	118	9.42	19.750	4.13	0.89	5.65	6.30	5.50	5.00	114	125	140	161	177	197
412	4.500	4.500	120	4.750	5.125	135	11.00	19.438	4.25	0.75	6.51	7.20	6.50	5.75	123	135	151	174	191	213
419	4.500	4.875	130	5.500	5.625	150	12.50	19.938	5.00	0.98	7.32	8.07	7.00	6.25	128	140	157	181	198	222
424	6.625	6.880	190				15.00	19.938	6.25	0.98	9.57		9.50	8.75	150	164	184	212	233	260
444	7.000	7.375	200				16.38	20.125	7.00	1.09	10.52		10.50	9.75	158	173	194	224	245	274
456	8.000	8.000	220				18.00	20.625	7.25	1.32	11.63		11.50	10.50	165	181	202	233	256	286
483	8.250	8.875	234				19.44	20.750	8.50	1.39	12.56		12.00	11.00	168	184	206	238	261	292
511	10.000	10.125	280				22.00	21.063	9.00	1.56	14.50		12.00	11.00	168	184	206	238	261	292
520	10.375	11.000	297				24.88	21.750	11.88	1.89	16.10									
525	11.000	12.000	322				26.75	21.875	12.00	1.95	17.35									
530	11.500	12.750	338				28.00	22.250	12.75	2.14	18.35									
540	15.750	17.000	448				33.50	24.125	15.00	2.58	22.63									

CONSULT TB WOOD'S

### ORDERING

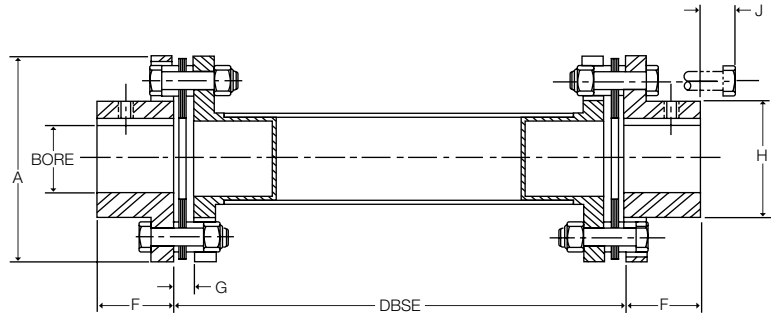
G5 SERIES COUPLINGS ARE SOLD AS COMPLETE ASSEMBLIES  
 PLEASE SPECIFY BORE SIZES, DISC PACK MATERIAL AND DBSE.  
 A COUPLING WILL BE CONFIGURED TO MEET YOUR SPECIFICATIONS.



# Floating Shaft Spacer Coupling A5C/B5C Composite Series - Form-Flex®

## Double Flex Spacer

Form-Flex® flexible couplings may be mated to composite tubes for use as long floating shaft couplings. All types and most sizes of Form-Flex® couplings can be mated to composite tubes. Common combinations are shown below.



Type	Rated Torque*** lb-in	HP/ 100 RPM	Coupling Product No.	Maximum DBSE (in)			Maximum Bore			
				Max	@1800 RPM	@1500 RPM	Std Hub		AZ Hub	
							Square Key (in)	Reduced Key (in[mm])	Square Key (in)	Reduced Key (in[mm])
A5C20	2,200	3.49	A5C20_2G	84	72	79	1.625	1.75 [45]	2.125	2.188 [57]
			A5C20_2R	84	84*	84*				
A5C25	3,800	6.03	A5C25_2G	83	71	78	2.00	2.063 [52]	2.500	2.750 [68]
			A5C25_2R	83	83*	83*				
A5C30	6,930	11	A5C30_3R	130	107	117	2.375	2.438 [61]	2.875	3.063 [78]
			A5C30_3B	130	122	130*				
A5C35	11,340	18	A5C35_4R	147	123	135	2.875	3.125 [80]	3.750	3.75 [100]
			A5C35_4B	147	140	147*				
			A5C35_6R	152	149	152*				
			A5C35_6B	181	170	181*				
			A5C35_6BL	196	-	187				
			A5C35_8R	196	184	196*				
			A5C35_8B	196	196	196*				
			A5C35_8BL	236	-	215				
A5C40	18,270	29	A5C40_4R	147	123	135	3.250	3.375 [88]	4.000	4.375 [113]
			A5C40_4B	147	140	147*				
B5C58	34,000	54	B5C58_6R	181	149	151	4.000	4.250 [110]	5.000	5.500 [143]
			B5C58_6B	181	170	181*				
			B5C58_6BL	196	-	187				
			B5C58_6X	196	174	190				
			B5C58_8R	197	184	197*				
			B5C58_8B	197	196	197*				
			B5C58_8BL	237	-	215				
			B5C58_10B**	237	213	237*				
			B5C58_12B**	237	237*	237*				

Type	Coupling Product No.	Dimensions (in) (1)					Misalignment Capacity	
		A	F	G	H	J	Axial (+/- in)	Angular (Degrees/ Disc Pack)
A5C20	A5C20_2G	4.08	1.32	0.34	2.40	2.30	0.055	1°
	A5C20_2R					2.30		
A5C25	A5C25_2G	4.95	1.62	0.45	2.80	2.30	0.060	1°
	A5C25_2R					2.30		
A5C30	A5C30_3R	5.63	1.88	0.47	3.30	3.25	0.065	1°
	A5C30_3B					3.25		
A5C35	A5C35_4R	6.63	2.25	0.55	4.15	4.25	0.085	1°
	A5C35_4B					4.25		
	A5C35_6R					6.30		
	A5C35_6B					6.30		
	A5C35_6BL					6.30		
	A5C35_8R					8.31		
	A5C35_8B					8.31		
	A5C35_8BL					8.31		
A5C40	A5C40_4R	7.63	2.50	0.60	4.65	4.25	0.100	1°
	A5C40_4B					4.25		
B5C58	B5C58_6R	8.98	2.75	0.56	5.81	6.30	0.118	0.7°
	B5C58_6B					6.30		
	B5C58_6BL					6.30		
	B5C58_6X					6.30		
	B5C58_6XL					6.30		
	B5C58_8R					8.31		
	B5C58_8B					8.31		
	B5C58_8BL					8.31		
	B5C58_10B**					10.31		
	B5C58_12B**					12.31		

\* Length is restricted by available mandrels for winding composite tubes. Consult factory for longer lengths.

\*\* Tube diameter is larger than coupling "A" diameter. Consult factory for coupling drawing.

\*\*\* Peak Overload Torque Rating is 1.5 times Rated Torque

1) Dimensions are shown with standard hubs

# Floating Shaft Spacer Coupling A5C/B5C Composite Series - Form-Flex®

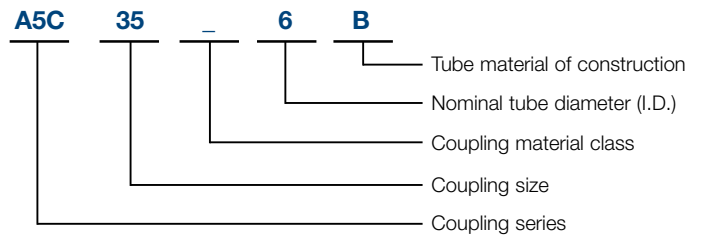
## QUICK SELECTION GUIDE FOR COOLING TOWER APPLICATIONS

1800 RPM				Coupling Model	1500 RPM			
DBSE		Max Power			Max Power		Max DBSE	
mm	in	Kw	HP		Kw	HP	mm	in
1828	72	23	31	A5C20_2G	20	26	2004	79
1802	71	40	54	A5C25_2G	34	45	1980	78
2133*	84*	23	31	A5C20_2R	20	26	2133*	84*
2108*	83*	40	54	A5C25_2R	34	45	2108*	83*
2723	107	74	99	A5C30_3R	62	82	2985	117
3101	122	74	99	A5C30_3B	62	82	3302*	130*
3130	123	121	161	A5C35_4R	100	134	3431	135
3129	123	194	260	A5C40_4R	162	217	3431	135
3564	140	121	161	A5C35_4B	100	134	3734*	147*
3563	140	194	260	A5C40_4B	162	217	3734*	147*
3799	149	121	161	A5C35_6R	100	134	3862*	152*
3807	149	362	485	B5C58_6R	302	404	3854	151
4327	170	121	161	A5C35_6B	100	134	4597*	181*
4337	170	362	485	B5C58_6B	302	404	4592*	181*
-	-	121	161	A5C35_6BL	100	134	4746	187
-	-	362	485	B5C58_6BL	302	404	4754	187
4423	174	362	485	B5C58_6X	302	404	4849	190
4671	184	121	161	A5C35_8R	100	134	4975*	196*
4682	184	362	485	B5C58_8R	302	404	5004*	197*
4975*	196*	121	161	A5C35_8B	100	134	4975	196
4974	196	362	485	B5C58_8B	302	404	5004*	197*
-	-	121	161	A5C35_8BL	100	134	5459	215
-	-	362	485	B5C58_8BL	302	404	5456	215
5414	213	362	485	B5C58_10B	302	404	6020*	237*
6020*	237*	362	485	B5C58_12B	302	404	6020*	237*

All sections use a 2.0 service factor

## ORDER CODE

### A5C35\_6B



## COMPOSITE TUBE CONSTRUCTION

Model Code	Tube Material of Construction
G	GLASS
R	CARBON/GLASS HYBRID
B	STANDARD CARBON
X,Z	HIGH MODULUS CARBON

Material Class	Material Used		
	Hub	Hardware	Spacer Flanges
A	STEEL	STEEL	COMPOSITE OR STEEL
B	STEEL, ZINC PLATE	STEEL	COMPOSITE OR ZINC PLATED STEEL
C		304SS	
E	304SS	304SS	COMPOSITE OR 304SS

Metal spacer flanges used if composite is not available.

\* Length is restricted by available mandrels for winding composite tubes. Consult factory for longer lengths.

\*\* Tube diameter is larger than coupling "A" diameter. Consult factory for coupling drawing.



# Close Coupled Couplings

---

## PRODUCT DESCRIPTION

- Used for close shaft spacing where traditional spacer couplings cannot be used
- Designed for moderate speed applications
- Construction includes:
  - Two fully machined steel hubs
  - One flat bar or machined block style spacer
  - Standard hardware and stainless steel disc packs
- Form-Flex® designs use non-unitized disc packs

Spacers are configured for minimal shaft separation. Shorter shaft separation is possible by allowing the shafts to extend through the disc packs into the center of the coupling. The shaft diameter must be less than the flex pack I.D. listed in the dimensional table.



## TYPICAL APPLICATIONS

- Machine Tools
- Ball Screws
- Pumps
- Printing Machines

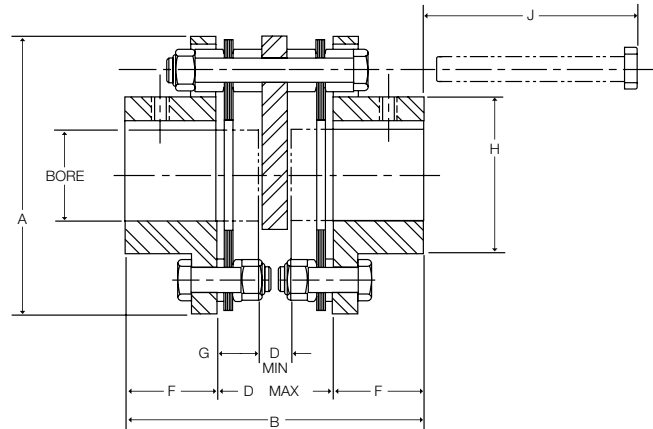
## SPECIAL APPLICATIONS

- Elastomeric Coupling Replacement
- Cranes
- Gear Coupling Replacement

# Close Coupled Coupling AX Series - Form-Flex®

## General Use - Double Flex Short Spacer

The AX series close coupling is made up of two hubs, a steel spacer block, two stainless steel disc packs and AX hardware. A special bolting arrangement supports the spacer between the flex discs. The AX is an economical design that is well suited to many general purpose applications. The AX accommodates close shaft separations when it is installed with the shafts extending through the flex discs into the center of the coupling. The shaft diameter must be less than the disc pack I.D. listed in the dimensional table.



Size	Max Bore				Dimensions (in)*								
	AJ		AZ		A	B	DBSE		F	G	H	J	DISC PACK I.D.**
	(in)	(mm)	(in)	(mm)			D** Min	D Max					
5	0.875	22	1.19	30	2.65	3.34	0.38	1.34	1.00	0.48	1.30	1.68	1.00
10	1.250	33	1.63	43	3.19	3.40	0.44	1.40	1.00	0.48	1.30	1.79	1.17
15	1.375	36	1.75	48	3.65	3.80	0.63	1.54	1.13	0.44	2.00	1.85	1.28
20	1.688	46	2.13	58	4.08	4.22	0.63	1.58	1.32	0.48	2.40	1.66	1.65
25	2.000	53	2.56	68	4.95	5.36	0.75	2.12	1.62	0.69	2.80	2.39	1.78
30	2.380	63	2.88	79	5.63	6.30	1.00	2.54	1.88	0.77	3.30	3.18	2.01
35	2.938	80	3.75	101	6.63	7.17	1.13	2.67	2.25	0.77	4.15	2.81	2.71

\* Dimension shown are for AJ hubs unless otherwise specified.

\*\* Shaft O.D. must be less than Disc Pack I.D. in order to extend shafts into the coupling to meet D Min dimensions.

Size	HP/100 RPM	Rated Torque (lb-in)	Peak O/L Torque (lb-in)	Max RPM	Weight (lbs) (1)	WR <sup>2</sup> (lb-in <sup>2</sup> ) (1)	Misalignment Capacity	
							Axial (+/-in)	Angular (Degrees/Disc Pack)
5	0.48	300	450	8,500	1.63	1.26	0.030	1°
10	1.27	800	1,200	7,500	2.48	2.9	0.040	
15	2.5	1,575	2,363	6,700	3.84	5.8	0.042	
20	3.49	2,200	3,300	6,200	5.1	9.16	0.055	
25	6.03	3,800	5,700	5,500	9.13	26.1	0.060	
30	11	6,930	10,395	5,000	13.8	51.7	0.065	
35	18	11,340	17,010	4,400	21.1	108	0.085	

1) Weight and WR<sup>2</sup> values shown are for AJ hubs at max inch bore.

### STANDARD MATERIALS (CLASS A)

HUBS - CARBON STEEL

SPACER - CARBON STEEL

HARDWARE - ALLOY STEEL

DISC PACKS - STAINLESS STEEL

### ORDERING

AX SERIES COUPLINGS ARE SOLD AS COMPONENTS  
COUPLINGS CONSIST OF:

2 - HUBS - Example (AJ25A x 1-3/4")

1 - SPACER SUB-ASSEMBLY - Example (AX25SAA)

### STANDARD MATERIALS (CLASS B)

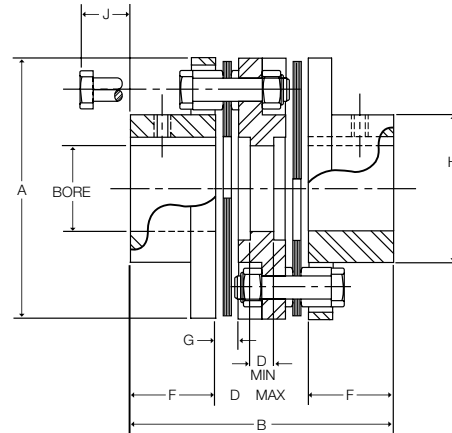
CLASS A - Mild steel hubs and spacer, alloy steel hardware, 300 series stainless steel disc packs

CLASS B - Zinc plated steel hubs, and spacer, alloy steel hardware, 300 series stainless steel disc packs

# Close Coupled Coupling AA Series - Form-Flex®

## General Use with Shorter Bolt Removal - Double Flex

The AA series close coupling is made up of two hubs, a cast iron block type spacer and two sets of standard hardware. Stainless steel disc packs are standard. The AA accommodates close shaft separations when it is installed with the shafts extending through the disc pack into the center of the coupling. The shaft diameter must be less than the disc pack I.D. listed in the dimensional table. This coupling is recommended when the bolt removal length (J) makes the AX coupling impractical.



Size	Max Bore				Dimensions (in)*									Disc Pack I.D.**
	AJ		AZ		A	B	DBSE		F	G	H	J		
	(in)	(mm)	(in)	(mm)			D** Min	D Max						
5	0.875	22	1.19	30	2.65	3.23	0.25	1.23	1.00	0.24	1.30	0.54	1.00	
10	1.250	33	1.63	43	3.19	3.73	0.25	1.73	1.00	0.27	1.80	0.56	1.17	
15	1.375	36	1.75	48	3.65	3.82	0.31	1.56	1.13	0.32	2.00	0.88	1.28	
20	1.688	46	2.13	58	4.08	4.38	0.41	1.74	1.32	0.34	2.40	0.79	1.65	
25	2.000	53	2.56	68	4.95	5.26	0.41	2.02	1.62	0.45	2.80	1.00	1.78	
30	2.380	63	2.88	79	5.63	6.24	0.56	2.48	1.88	0.47	3.30	1.14	2.01	
35	2.938	80	3.75	101	6.63	6.91	0.66	2.41	2.25	0.55	4.15	0.97	2.71	

\* Dimension shown are for AJ hubs unless otherwise specified.

\*\* Shaft O.D. must be less than Disc Pack I.D. in order to extend shafts into the coupling to meet D Min dimensions.

Size	HP/100 RPM	Rated Torque (lb-in)	Peak O/L Torque (lb-in)	Max RPM	Weight (lbs) (1)	WR <sup>2</sup> (lb-in <sup>2</sup> ) (1)	Misalignment Capacity	
							Axial (+/-in)	Angular (Degrees/Disc Pack)
5	0.48	300	450	3,600	1.76	1.4	0.030	1°
10	1.27	800	1,200	3,500	2.77	3.35	0.040	
15	2.5	1,575	2,363	3,450	4.24	6.66	0.042	
20	3.49	2,200	3,300	3,350	5.48	10.2	0.055	
25	6.03	3,800	5,700	3,200	9.81	29.4	0.060	
30	11	6,930	10,395	3,000	15.0	59.0	0.065	
35	18	11,340	17,010	2,800	22.4	121	0.085	

1) Weight and WR<sup>2</sup> values shown are for AJ hubs at max inch bore.

### STANDARD MATERIALS (CLASS A)

HUBS - CARBON STEEL

SPACER - CARBON STEEL

HARDWARE - ALLOY STEEL

DISC PACK - STAINLESS STEEL

### ORDERING

AA SERIES COUPLINGS ARE SOLD AS COMPONENTS

COUPLINGS CONSIST OF:

2 - HUBS - Example (AJ25A x 1-3/4")

1 - SPACER SUB-ASSEMBLY - Example (AA25SAA)

### MATERIAL / FINISH OPTIONS

CLASS A - Steel hubs and spacer, alloy steel hardware, 300 series stainless steel disc pack

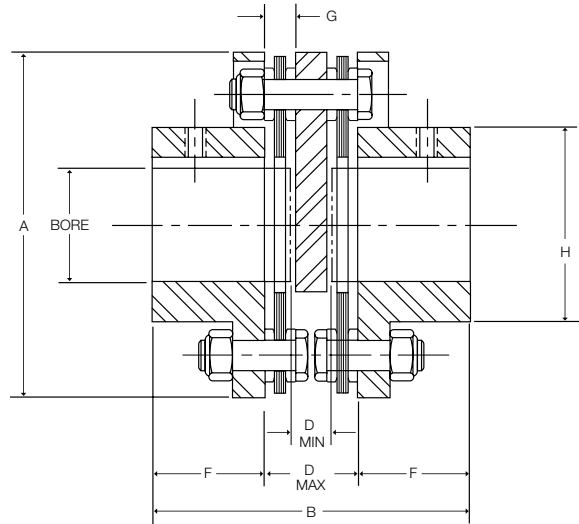
CLASS B - Zinc plated steel hubs, and spacer, alloy steel hardware, 300 series stainless steel disc pack

CLASS C - Zinc plated steel hubs, and spacer, stainless steel hardware, 300 series stainless steel disc pack

# Close Coupled Coupling AY Series - Form-Flex®

## Positioning Applications - Double Flex Short Spacer

The AY series is specifically designed for positioning applications where a servo or stepper drive is C flange mounted and connects to a ball screw. The AY accommodates the small amounts of angular and parallel misalignment with an absolute minimum size package, zero backlash and high torsional stiffness. The AY is made up of two hubs, a steel spacer block, two stainless steel disc packs and AY hardware. The coupling must be installed as an assembled unit. The spacer is not service removable.



Size	Max Bore				Dimensions (in)*							
	AJ		AZ		A	B	DBSE		F	G	H	Disc Pack I.D.**
	(in)	(mm)	(in)	(mm)			D** Min	D Max				
5	0.875	22	1.19	30	2.65	2.85	0.49	0.85	1.00	0.24	1.30	1.00
10	1.250	33	1.63	43	3.19	2.91	0.50	0.91	1.00	0.27	1.80	1.17
15	1.375	36	1.75	48	3.65	3.33	0.56	1.07	1.13	0.32	2.00	1.28
20	1.688	46	2.13	58	4.08	3.76	0.56	1.12	1.32	0.34	2.40	1.65
25	2.000	53	2.56	68	4.95	4.77	0.87	1.53	1.62	0.45	2.80	1.78

\* Dimension shown are for AJ hubs unless otherwise specified.

\*\* Shaft O.D. must be less than Disc Pack I.D. in order to extend shafts into the coupling to meet D Min dimensions.

Size	HP/100 RPM	Rated Torque (lb-in)	Peak O/L Torque (lb-in)	Max RPM	Weight (lbs) (1)	WR <sup>2</sup> (lb-in <sup>2</sup> ) (1)	Misalignment Capacity	
							Axial (+/-in)	Angular (Degrees/Disc Pack)
5	0.48	300	600	8,500	1.64	1.24	0.030	1°
10	1.27	800	1,600	7,500	2.68	3.08	0.040	
15	2.5	1,575	3,150	6,700	4.23	6.41	0.042	
20	3.49	2,200	4,400	6,200	5.49	9.92	0.055	
25	6.03	3,800	7,600	5,500	9.78	27.6	0.060	

1) Weight and WR2 values shown are for AJ hubs at max inch bore.

### STANDARD MATERIALS (CLASS A)

HUBS - CARBON STEEL

SPACER - CARBON STEEL

HARDWARE - ALLOY STEEL

DISC PACK - STAINLESS STEEL

### ORDERING

AY SERIES COUPLINGS ARE SOLD AS COMPONENTS  
COUPLINGS CONSIST OF:

2 - HUBS - Example (AJ25A x 1-3/4")

1 - SPACER SUB-ASSEMBLY - Example (AY25SAA)

### MATERIAL / FINISH OPTIONS

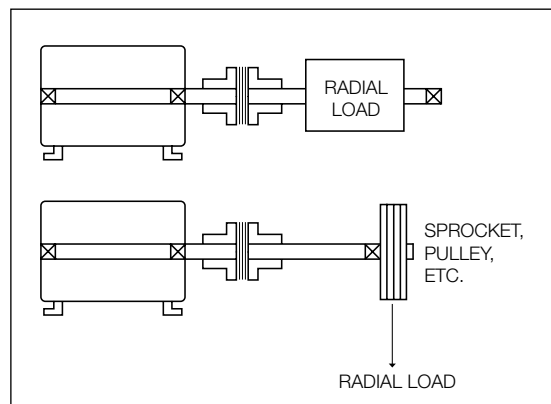
CLASS A - Mild steel hubs and spacer, alloy steel hardware, 300 series stainless steel disc pack

CLASS B - Zinc plated steel hubs, and spacer, alloy steel hardware, 300 series stainless steel disc pack

# Single Flex Couplings

## PRODUCT DESCRIPTION

- Single Flex Couplings accommodate angular and axial misalignment only
- Construction includes:
  - Two fully machined steel hubs
  - Standard hardware and stainless steel disc packs
- Form-Flex® A-Series designs use non-unitized disc packs
- Form-Flex® G-Series designs use unitized disc packs
- Not intended for elastomeric coupling replacement
- Hubs can be single plane balanced for higher speed applications
- Can be bored for any shaft configuration (see page F5-40 for hub design options)



## TYPICAL APPLICATIONS

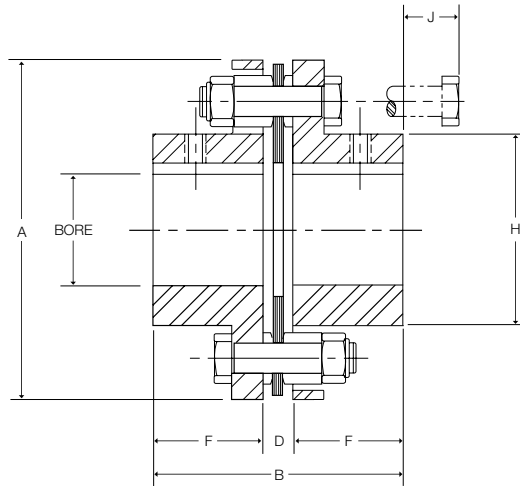
- Should only be used in three bearing system
- Used in pairs for floating shaft arrangement
- Can be used in pairs to support other components
  - Clutches
  - Brakes
  - Sheaves
- Mixers
- Single coupling can be used to support a component when a self-aligning bearing is used

## SPECIAL APPLICATIONS

- Torque Monitoring Equipment

# Single Flex Coupling AR Series - Form-Flex®

## Single Flex Short Spacing



Size	Max Bore				Dimensions (in)*					
	AJ		AZ		A	B	D	F	H	J
	(in)	(mm)	(in)	(mm)			DBSE			
5	0.875	22	1.19	30	2.65	2.24	0.24	1.00	1.30	0.54
10	1.250	33	1.63	43	3.19	2.27	0.27	1.00	1.80	0.59
15	1.375	36	1.75	48	3.65	2.58	0.32	1.13	2.00	0.88
20	1.688	46	2.13	58	4.08	2.98	0.34	1.32	2.40	0.79
25	2.000	53	2.56	68	4.95	3.69	0.45	1.62	2.80	1.00
30	2.380	63	2.88	79	5.63	4.23	0.47	1.88	3.30	1.14
35	2.938	80	3.75	101	6.63	5.05	0.55	2.25	4.15	0.97

\* Dimension shown are for AJ hubs unless otherwise specified.

Size	HP/100 RPM	Rated Torque (lb-in)	Peak O/L Torque (lb-in)	AGMA 7 Max RPM	Max Radial Load (lbs)	Weight (1) (lbs)	WR <sup>2</sup> (1) (lb-in <sup>2</sup> )	Misalignment Capacity	
								Axial (+/-in)	Angular (Degrees/Disc Pack)
5	0.48	300	600	8,500	34	1.24	0.96	0.015	1°
10	1.27	800	1,600	7,500	56	1.96	2.35	0.020	
15	2.5	1,575	3,150	6,700	125	2.98	4.62	0.021	
20	3.49	2,200	4,400	6,200	183	4.07	7.48	0.027	
25	6.03	3,800	7,600	5,500	275	7.01	20.4	0.030	
30	11	6,930	13,860	5,000	400	10.8	41.5	0.032	
35	18	11,340	22,680	4,400	600	17.2	88.3	0.042	

1) Weight and WR<sup>2</sup> values shown are for AJ hubs at max inch bore.

### STANDARD MATERIALS (CLASS A)

HUBS - CARBON STEEL

SPACER - CARBON STEEL

HARDWARE - ALLOY STEEL

DISC PACKS - STAINLESS STEEL

### ORDERING

AR SERIES COUPLINGS ARE SOLD AS COMPONENTS

COUPLINGS CONSIST OF:

2 - HUBS - Example (AJ25A x 1-3/4")

1 - REPAIR KIT - Example (A25RKA)

### MATERIAL / FINISH OPTIONS

CLASS A - Steel hubs, alloy steel hardware, 300 series stainless steel disc packs

CLASS B - Zinc plated steel hubs and spacer, alloy steel hardware, 300 series stainless steel disc pack

CLASS C - Zinc plated steel hubs, stainless steel hardware, 300 series stainless steel disc packs

CLASS E - 300 series stainless steel hubs, stainless steel hardware, 300 series stainless steel disc packs

# Single Flex Coupling GR Series - Form-Flex®

## Single Flex Short Spacing



Size	Torque Rating			Max Speed (RPM)		Max Radial Load (lbs)	Weight (lbs) (1)	WR <sup>2</sup> (lb-in <sup>2</sup> ) (1)	Misalignment Capacity	
	HP / 100 (RPM)	Max Continuous (lb-in)	Peak Overload (lb-in)	AGMA 8	ABS. Max				Axial (+/- in)	Angular (Degrees/ Disc Pack)
311	17	11,000	22,000	8,000	13,000	360	11.0	41.5	0.014	0.5°
321	33	20,500	41,000	7,400	12,000	800	17.8	77.6	0.0145	
332	51	32,000	64,000	6,600	11,500	1,300	26.2	143	0.015	
346	73	46,000	92,000	6,100	9,000	1,300	38.1	271	0.025	
380	127	80,000	160,000	5,500	7,000	2,400	53.1	469	0.040	
412	190	120,000	240,000	5,200	6,000	2,400	72.5	935	0.040	0.33°
419	301	190,000	380,000	4,600	5,000	4,200	129.3	2092	0.050	
424	476	300,000	600,000	4,200	5,000	4,200	195.8	4936	0.050	
444	690	435,000	870,000	3,800	4,000	5,300	291.5	8422	0.055	
456	1015	640,000	1,280,000	3,600	3,500	6,700	364.0	13226	0.060	
483	1317	830,000	1,660,000	3,300	3,500	8,200	512.0	20843	0.065	
511	1904	1,200,000	2,400,000	3,100	3,000	9,800	677.2	37076	0.070	
520	3173	2,000,000	4,000,000	2,800	2,500	15,700	1208	71849	0.090	
525	3967	2,500,000	5,000,000	2,700	2,500	17,900	1473	113939	0.100	
530	4760	3,000,000	6,000,000	2,500	2,500	21,000	1752	148626	0.100	
540	6347	4,000,000	8,000,000	2,300	2,000	23,000	2662	346946	0.120	

1) Weight and WR<sup>2</sup> values shown are for standard hubs at max inch bore.

### STANDARD MATERIALS

HUBS - CARBON STEEL

SPACER - CARBON STEEL

HARDWARE - ALLOY STEEL

DISC PACKS - STAINLESS STEEL

### MATERIAL / FINISH OPTIONS

DISC PACKS - ALLOY STEEL (For cost reduction, available for sizes 412 to 540)

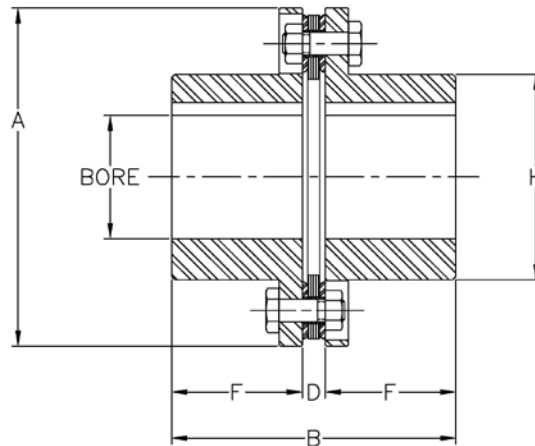
ZINC ELECTRO PLATING

ZINC PHOSPHATE COATING

ALLOY STEEL HUBS

# Single Flex Coupling GR Series - Form-Flex®

## Single Flex Short Spacing



Size	Max Bore						Dimensions (in)					
	Standard Hub			Oversized/Large Hub			A	B	D DBSE	F	H	
	Square Key (in)	Rect. Key (in)	Rect. Key (mm)	Square Key (in)	Rect. Key (in)	Rect. Key (mm)					Std Hub	O/S Hub
311	2.813	3.063	78	3.125	3.313	86	5.88	5.40	0.40	2.50	3.91	4.30
321	3.000	3.250	83	3.250	3.438	90	6.38	6.55	0.55	3.00	4.25	4.57
332	3.188	3.313	87	3.438	3.688	95	7.20	6.62	0.62	3.50	4.50	4.95
346	3.750	4.000	107	4.250	4.500	117	8.20	6.62	0.62	3.75	5.42	5.95
380	3.750	4.000	105	4.250	4.500	118	9.42	9.14	0.89	4.13	5.65	6.30
412	4.500	4.500	120	4.750	5.125	135	11.00	9.25	0.75	4.25	6.51	7.20
419	4.500	4.875	130	5.500	5.625	150	12.50	10.98	0.98	5.00	7.32	8.07
424	6.625	6.880	190				15.00	13.48	0.98	6.25	9.57	
444	7.000	7.375	200				16.38	15.09	1.09	7.00	10.52	
456	8.000	8.000	220				18.00	15.82	1.32	7.25	11.63	
483	8.250	8.875	234				19.44	18.39	1.39	8.50	12.56	
511	10.000	10.125	280				22.00	19.56	1.56	9.00	14.50	
520	10.375	11.000	297				24.88	25.64	1.89	11.88	16.10	
525	11.000	12.000	322				26.75	25.95	1.95	12.00	17.35	
530	11.500	12.750	338				28.00	27.64	2.14	12.75	18.35	
540	15.750	17.000	448				33.50	32.58	2.58	15.00	22.63	

### ORDERING

GR SERIES COUPLINGS ARE SOLD AS COMPONENTS

COUPLINGS CONSIST OF:

2 - HUBS - Example (GH346 x 2-1/2")

1 - REPAIR KIT - Example (G346SF)



# Heavy Duty Spacer Coupling

## PRODUCT FEATURES

- Designed for low to medium speed equipment
- Standard designs for applications requiring shaft-to-shaft or shaft to flywheel connection.
- Construction
  - Fully machined steel hubs are standard
  - Ductile Iron or Class 30 Grey Iron spacer/spyder
  - Ductile Iron or Class 30 Grey Iron flywheel adapter
  - Alloy steel hardware and High Carbon steel disc packs
- Form-Flex® HSH/FSH Series designs use non-unitized disc packs
- Form-Flex® GCH/GCF Series designs use unitized disc packs
- Industry standard length spacer
- Can be bored for any shaft configuration (see page F5-41 for hub design options)
- Special flange mountings are also available to bolt custom flanges on any equipment.



## TYPICAL APPLICATIONS

- Reciprocating Compressors
- Metal Shredders
- Rock Crushers
- Engine Driven Equipment
- Mixer

## SPECIAL APPLICATIONS

- Can be modified for API671 with exceptions
- Added inertia to torsionally tune system
- Altered stiffness for torsional tuning
- Custom designs for demanding applications

## SPECIAL APPLICATIONS

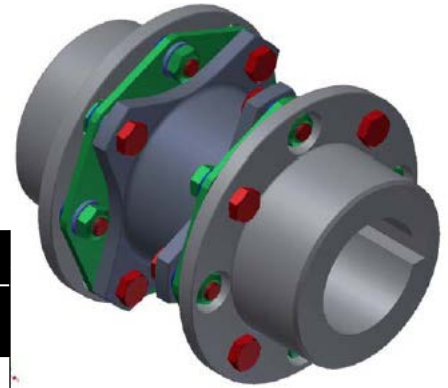
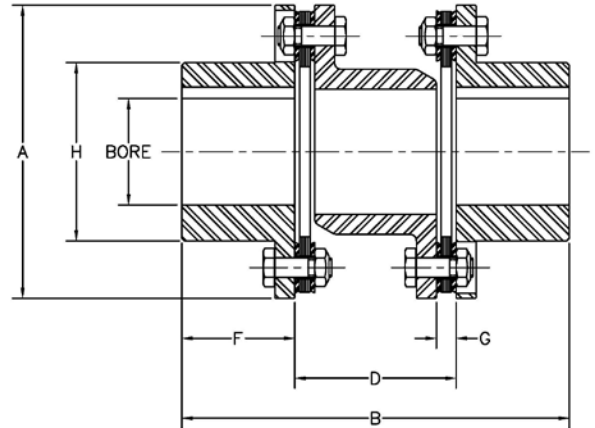
Example: Coupling shown was specially designed for a high torque, low speed (10000HP @ 290RPM) application to torsionally tune the system. This is a 10 bolt disc pack design and the coupling is rated for 10,000,000 lb-in with an OD measuring 44.50". Flange mounted on both ends with a custom adapter hub on the motor's keyless shaft.



# Heavy Duty Spacer Coupling GCH Series - Form-Flex®

## Double Flex Spacer

Size	Spacer	Max Bore		Dimensions (in)					
		(in)	(mm)	A	B	D	F	G	H
340	31	3.75	100	8.38	9.89	4.14	2.88	0.57	5.44
	35				10.46	4.71			
412	42	4.50	120	11.00	14.07	5.57	4.25	0.75	6.51
	45				14.57	6.07			
	50				15.69	7.19			
424	55	6.88	190	15.00	19.95	7.45	6.25	0.98	9.57
	60				20.95	8.45			
456	70	8.00	220	18.00	24.13	9.63	7.25	1.32	11.63
	75				25.20	10.70			
511	80	10.00	280	22.00	29.39	11.39	9.00	1.56	14.50
	85				30.39	12.39			
	92				31.89	13.89			



Size	Spacer	Rated Torque		Peak Overload (lb-in)	Max RPM	Weight (1) (lbs)	WR <sup>2</sup> (1) (lb-in <sup>2</sup> )	Misalignment Capacity	
		HP/100 RPM	(lb-in)					Axial +/- in	Angular (Degrees/Disc Pack)
340	31	64	40,000	60,000	3,400	43	344	0.06	0.33°
	35					44	349		
412	42	190	120,000	180,000	2,500	106	1,371	0.08	
	45					108	1,385		
	50					112	1,416		
424	55	380	240,000	360,000	1,800	278	7,141	0.10	
	60					284	7,259		
456	70	889	560,000	840,000	1,500	527	19,517	0.12	
	75					538	19,793		
511	80	1,746	1,100,000	1,650,000	1,200	964	54,373	0.14	
	85					980	55,013		
	92					1,108	64,414		

Note: Couplings available for torque capacity up to 1129815 Nm. Contact Altra Couplings engineering with application details for coupling selection.

### STANDARD MATERIALS

HUBS - CARBON STEEL

SPACER - DUCTILE IRON

HARDWARE - ALLOY STEEL

DISC PACKS - HIGH CARBON STEEL

### MATERIAL / FINISH OPTIONS

DISC PACKS - STAINLESS STEEL

ZINC PHOSPHATE COATING

ALLOY STEEL HUBS

STEEL SPACER

### NOTES:

- 1) Weight and WR<sup>2</sup> are calculated with hubs at maximum inch bore size.
- 2) Consult factory for torsional stiffness and alternating torque limits.

### ORDERING

GCH SERIES COUPLINGS ARE SOLD AS COMPLETE ASSEMBLIES

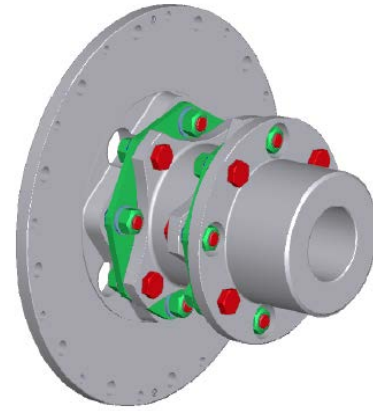
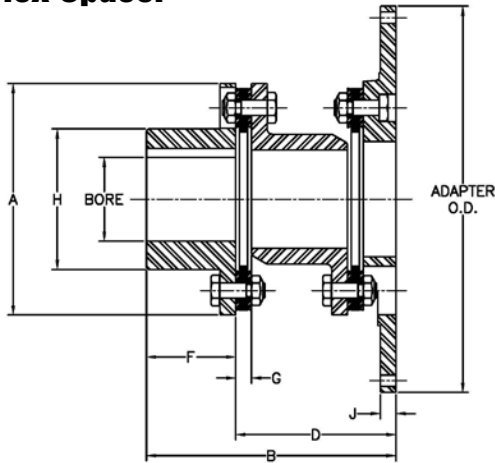
- 1) Specify coupling size and spacer option

Example: GCH424-60 5" x 6-1/4"

- 2) Specify hub bore size and tolerance, keyway size or keyless, special hub length, etc. Please specify for each hub.

# Heavy Duty Spacer Coupling GCF Series - Form-Flex®

## Double Flex Spacer



Size	Spacer	Max Bore		Dimensions (in)							Adapter O.D. / Standard Bolt Pattern											
		(in)	(mm)	A	B	D	F	G	H	J	Size	12.375	13.875	18.375	20.375	22.500	26.500	28.875				
340	31	3.75	100	8.38	8.19	5.31	2.88	0.57	5.44	0.5	12	14	18	20	22	26	28					
	8.76				5.88	Order												SAE	SAE	Order	SAE	
412	42	4.50	120	11.00	11.39	7.14	4.25	0.75	6.51	0.57	18	20	22	26	28	SAE/HD	SAE/HD					
	45				11.89	7.64												SAE	Order	SAE	SAE/HD	SAE/HD
	50				13.01	8.76												SAE/HD	Order	SAE/HD	SAE/HD	SAE/HD
424	55	6.88	190	15.00	16.14	9.89	6.25	0.98	9.57	1.00	20	22	26	28	SAE/HD	SAE/HD						
	60				17.14	10.89											SAE/HD	Order	SAE/HD	SAE/HD	SAE/HD	
456	70	8.00	220	18.00	19.69	12.44	7.25	1.32	11.63	1.13	22	26	28	SAE/HD	SAE/HD							
	75				20.76	13.51										SAE/HD	SAE/HD	SAE/HD				
511	80	10.00	280	22.00	23.76	14.76	9.00	1.56	14.5	1.38	26	28	SAE/HD	SAE/HD								
	85				24.76	15.76									SAE/HD	SAE/HD						
	92				26.26	17.26									SAE/HD	SAE/HD						
<b>SAE Bolting</b>																						
BC	11.625	13.125	17.25	19.25	21.375	25.25	27.25															
Hole Qty	8	8	8	8	6	12	12															
Hole Dia	0.41	0.41	0.53	0.53	0.65	0.65	0.78															
<b>HD Bolting</b>																						
BC	11.5	12.5	16.75	18.5	20.5	24.5	26.875															
Hole Qty	8	8	8	8	8	12	12															
Hole Dia	0.53	0.65	0.78	0.91	1.03	1.03	1.03															
<b>Speed Limit by Adapter O.D. (2b)</b>																						
RPM	3,400	3,400	2,900	2,600	2,400	2,000	1,800															

Size	Spacer	Rated Torque		Peak Overload	Max RPM (2a)	Weight (1)	WR <sup>2</sup> (1)	Misalignment Capacity			
		HP/100 RPM	(lb-in)					(lb-in)	Axial (+/- in)	Angular (Degrees/Disc Pack)	
340	31	64	40,000	60,000	3,400	46	567	0.06	0.33°		
	35									47	572
412	42	190	120,000	180,000	2,500	127	3,267	0.08			
	45									129	3,281
	50									132	3,312
424	55	380	240,000	360,000	1,800	261	8,346	0.10			
	60									268	8,464
456	70	889	560,000	840,000	1,500	491	22,549	0.12			
	75									502	22,825
511	80	1,746	1,100,000	1,650,000	1,200	870	58,863	0.14			
	85								885	59,503	
	92								1014	68,905	

- 1) Weight and WR2 calculated with hub at maximum inch bore size and minimum available adapter size.
- 2) a) Max RPM shown for smallest available adapter size, do not exceed this speed for any given coupling size.  
b) Verify that adapter speed limit is adequate for application speed, do not exceed coupling MAX RPM (See note 2a).
- 3) Flywheel mounting hardware is not supplied with coupling.
- 4) Consult factory for torsional stiffness and alternating torque limits.

### ORDERING

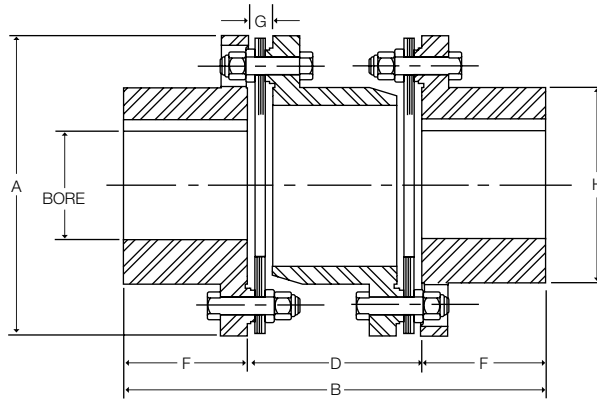
- 1) Specify coupling size and spacer option  
Example: GCF424-60
- 2) Specify adapter size code. Specify bolting pattern for items noted as drilled per order.  
Example: GCF424-60-26 or GCF424-60-22HD
- 3) Specify hub bore size and tolerance, keyway size or keyless, special hub length, etc.

### STANDARD MATERIALS

HUB - CARBON STEEL  
 SPACER - DUCTILE IRON  
 FLYWHEEL ADAPTER - DUCTILE IRON  
 HARDWARE - ALLOY STEEL  
 DISC PACKS - HIGH CARBON STEEL

# Heavy Duty Spacer Coupling HSH Series - Form-Flex®

## Double Flex Spacer



### STANDARD MATERIALS

HUBS - CARBON STEEL  
 SPACER - GREY OR DUCTILE IRON  
 HARDWARE - ALLOY STEEL  
 DISC PACKS - HIGH CARBON STEEL

### MATERIAL / FINISH OPTIONS

DISC PACKS - STAINLESS STEEL  
 ZINC PHOSPHATE COATING  
 ALLOY STEEL HUBS  
 CAST IRON HUBS  
 (Sizes 31-45)

Size	Dimensions (in)									
	Max Bore				A (2)	B	D DBSE	F	G	H
	Iron		Steel							
(in)	(mm)	(in)	(mm)							
22	-	-	2.75	79	5.88	8.02	3.02	2.50	0.43	3.87
26	-	-	3.25	92	6.88	9.25	3.50	2.88	0.55	4.50
31	3.12	82	4.13	113	8.12	10.87	4.12	3.37	0.62	5.50
35	3.62	97	4.50	125	9.12	12.06	4.57	3.75	0.66	6.12
37	3.75	100	4.63	130	10.06	13.12	5.14	4.00	0.81	6.50
42	4.25	114	5.00	142	11.00	13.93	5.43	4.25	0.81	7.00
45	4.50	120	5.50	150	11.87	14.75	5.75	4.50	0.87	7.43
50	-	-	6.13	170	12.90	16.81	6.81	5.00	1.06	8.37
55	-	-	6.88	193	15.00	18.68	7.68	5.50	1.25	9.50
60	-	-	7.50	212	16.00	20.93	8.43	6.25	1.34	10.50
70	-	-	8.50	233	18.50	23.62	9.56	7.00	1.50	11.75
75	-	-	9.00	261	20.00	25.00	10.50	7.25	1.53	13.00
80	-	-	9.12	275	22.00	26.87	11.37	7.75	1.56	13.75
85	-	-	10.38	290	23.75	28.62	12.12	8.25	1.62	14.50
92	-	-	11.00	320	25.75	31.00	13.01	9.00	1.75	15.87
92HT	-	-	10.50	307	25.75	31.00	13.01	9.00	1.75	15.87

Size	HP/ 100 RPM	Rated Torque (lb-in)	Peak O/L Torque (lb-in)	Max RPM	Weight (lbs) (1)	WR <sup>2</sup> (lb-in <sup>2</sup> ) (1)	Misalignment Capacity	
							Axial (+/- in)	Angular (Degrees/ Discpack)
22	15.1	9,500	14,250	3,800	19.7	75.6	0.036	0.33°
26	25.4	16,000	24,000	3,300	28.8	152	0.044	
31	38.1	24,000	36,000	2,800	51.4	390	0.052	
35	69.8	44,000	66,000	2,600	76.7	738	0.056	
37	95.2	60,000	90,000	2,500	92.4	1,090	0.062	
42	116	73,000	109,500	2,400	125	1,710	0.067	
45	157	99,000	148,500	2,250	154	2,510	0.072	
50	203	128,000	192,000	2,000	218	4,570	0.082	
55	300	189,000	283,500	1,800	288	7,400	0.092	
60	414	261,000	391,500	1,600	403	13,100	0.102	
70	659	415,000	622,500	1,400	624	25,800	0.115	
75	846	533,000	799,500	1,300	788	37,900	0.125	
80	1,087	685,000	1,027,500	1,200	1,030	58,700	0.136	
85	1,316	829,000	1,243,500	1,100	1,230	79,000	0.140	
92	1,651	1,040,000	1,560,000	1,000	1,630	129,000	0.156	
92HT	2,221	1,400,000	2,100,000	1,000	1,680	137,000	0.156	

- 1) Weight and WR<sup>2</sup> are calculated with steel hubs at maximum inch bore size.
- 2) Consult factory for torsional stiffness and alternating torque limits.

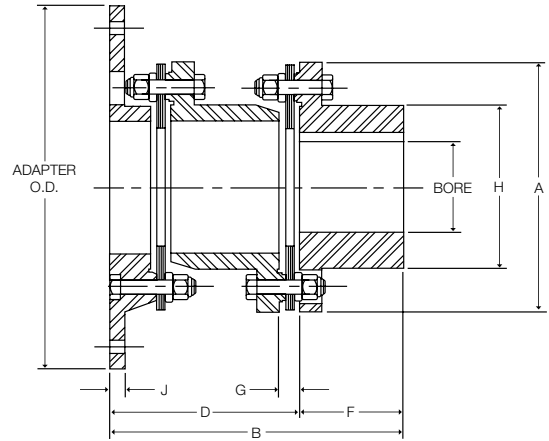
### ORDERING

HSH SERIES COUPLINGS ARE SOLD AS COMPLETE ASSEMBLIES (Components and repair kits are available for repairs)

- 1) Specify coupling
- 2) Specify hub bore size and tolerance, keyway size or specify for each hub.
- 3) Specify disc pack material

# Heavy Duty Spacer Coupling FSH Series - Form-Flex®

## Double Flex Spacer



Adapter O.D. / Standard Bolt Pattern

	12.375	13.875	18.375	20.375	22.500	26.500	28.875
	12	14	18	20	22	26	28
<b>SAE Bolting</b>							
BC	11.625	13.125	17.25	19.25	21.375	25.25	27.25
Hole Qty	8	8	8	8	6	12	12
Hole Dia	0.41	0.41	0.53	0.53	0.65	0.65	0.78
<b>HD Bolting</b>							
BC	11.50	12.50	16.75	18.50	20.50	24.50	26.875
Hole Qty	8	8	8	8	8	12	12
Hole Dia	0.53	0.65	0.78	0.91	1.03	1.03	1.03

### STANDARD MATERIALS

HUBS - CARBON STEEL  
 SPACER - DUCTILE IRON OR CAST IRON  
 FLYWHEEL ADAPTER - DUCTILE IRON OR CAST IRON  
 HARDWARE - ALLOY STEEL  
 DISC PACKS - HIGH CARBON STEEL

Size	Max Bore				Dimensions (in)							Available Adapter Sizes							
	Iron		Steel		A	B	D DBSE	F	G	H	J	X = Stock Size 0 = MTO							
	(in)	(mm)	(in)	(mm)								10	12	14	18	20	22	26	28
31	3.12	82	4.13	113	8.12	8.68	5.31	3.37	0.62	5.50	0.50	0	0	X	X	0	0		
35	3.62	97	4.50	125	9.12	9.62	5.87	3.75	0.66	6.12	0.50	0	0	X	X	0	0		
37	3.75	100	4.63	130	10.06	10.62	6.62	4.00	0.81	6.50	0.56			0	0	0	0		
42	4.25	114	5.00	142	11.00	11.37	7.12	4.25	0.81	7.00	0.63			0	X	0	X	X	0
45	4.50	120	5.50	150	11.87	12.00	7.50	4.50	0.87	7.43	0.69			0	X	0	X	X	0
50	-	-	6.13	170	12.90	13.75	8.75	5.00	1.06	8.37	0.75				X	0	X	X	X
55	-	-	6.88	193	15.00	15.31	9.81	5.50	1.25	9.50	0.88				X	0	X	X	X
60	-	-	7.50	212	16.00	17.12	10.87	6.25	1.34	10.50	1.00				X	0	X	X	X
70	-	-	8.50	233	18.50	19.43	12.43	7.00	1.50	11.75	1.00					X	X	X	X
75	-	-	9.00	261	20.00	20.75	13.50	7.25	1.53	13.00	1.13					0	0	0	X
80	-	-	9.12	275	22.00	22.50	14.75	7.75	1.56	13.75	1.25							0	X
85	-	-	10.38	290	23.75	24.00	15.75	8.25	1.62	14.50	1.25								X
92	-	-	11.00	320	25.75	26.25	17.27	9.00	1.75	15.87	1.38								X
92HT	-	-	10.50	307	25.75	26.25	17.26	9.00	1.75	15.87	1.38								X

Size	HP/ 100 RPM	Rated Torque (lb-in)	Peak O/L Torque (lb-in)	Max RPM (2)	Weight (lbs) (1)	WR <sup>2</sup> (lb-in <sup>2</sup> ) (1)	Misalignment Capacity	
							Axial +/- in	Angular (Degrees/ Disc Pack)
31	38.1	24,000	36,000	2,800	41	399	0.052	0.33°
35	69.8	44,000	66,000	2,600	59	643	0.056	
37	95.2	60,000	90,000	2,500	82	1,280	0.062	
42	116	73,000	109,500	2,400	107	1,770	0.067	
45	157	99,000	148,500	2,250	127	2,370	0.072	
50	203	128,000	192,000	2,000	189	5,320	0.082	
55	300	189,000	283,500	1,800	241	7,590	0.092	
60	414	261,000	391,500	1,600	325	11,800	0.102	
70	659	415,000	622,500	1,400	523	25,000	0.115	
75	846	533,000	799,500	1,300	675	35,000	0.125	
80	1,087	685,000	1,027,500	1,200	905	58,400	0.136	
85	1,316	829,000	1,243,500	1,100	1060	79,400	0.140	
92	1,651	1,040,000	1,560,000	1,000	1,400	120,000	0.156	
92HT	2,221	1,400,000	2,100,000	1,000	1,450	129,000	0.156	

- 1) Weight and WR<sup>2</sup> calculated with steel hubs at maximum inch bore size and minimum available adapter size.
- 2) a) Max RPM shown for smallest available adapter size, do not exceed this speed for any given coupling size.  
 b) Verify that adapter speed limit is adequate for application speed, do not exceed coupling MAX RPM (See note 2a).
- 3) Flywheel mounting hardware is not supplied with coupling.
- 4) Consult factory for torsional stiffness and alternating torque limits.

### ORDERING

FSH SERIES COUPLINGS ARE SOLD AS COMPLETE ASSEMBLIES (Components and repair kits are for repairs)

- 1) Specify coupling size and adapter size
- 2) Specify hub bore size and tolerance, keyway keyless, special hub length, etc.
- 3) Specify disc pack material



# Coupling Repair Parts and Kits

**Notes:**

- 1) Single Repair Kits include 1 disc pack and all bolts, nuts and washers for use with 1 disc pack
- 2) Single hardware Kits include all bolts, nuts and washers for use with 1 disc pack
- 3) Double Repair Kits include 2 disc packs and all hardware for one coupling
- 4) Double hardware kits include all bolt, nuts and washers for one coupling

## Form-Flex® (A Series)

Kit Type	Repair				Hardware				Disc Pack	Rough Bore Hub									
SGL/DBL	Single								Double		Double		AJ (Std)			AZ (O/S)			
Used On	AA, AP, AR, A5, A6, A7								AX		AY		All	All	All	All	All	All	All
Mat'l Class	A,B	C,E	A,B	C,E	A,B	A,B	A,B	A,B	A,B	All	A	B,C	E	A	B,C	E			
5	A05RKA	***	A05HKA	***	AX05RKA	AX05HKA	AY05RKA	AY05HKA	A005-4101	AJ05RBA	AJ05RBB	***	AZ05RBA	AZ05RBB	***				
10	A10RKA	***	A10HKA	***	AX10RKA	AX10HKA	AY10RKA	AY10HKA	A010-4101	AJ10RBA	AJ10RBB	***	AZ10RBA	AZ10RBB	***				
15	A15RKA	A15RKE	A15HKA	A15HKE	AX15RKA	AX15HKA	AY15RKA	AY15HKA	A015-4101	AJ15RBA	AJ15RBB	AJ15RBE	AZ15RBA	AZ15RBB	AZ15RBE				
20	A20RKA	A20RKE	A20HKA	A20HKE	AX20RKA	AX20HKA	AY20RKA	AY20HKA	A020-4101	AJ20RBA	AJ20RBB	AJ20RBE	AZ20RBA	AZ20RBB	AZ20RBE				
25	A25RKA	A25RKE	A25HKA	A25HKE	AX25RKA	AX25HKA	AY25RKA	AY25HKA	A025-4101	AJ25RBA	AJ25RBB	AJ25RBE	AZ25RBA	AZ25RBB	AZ25RBE				
30	A30RKA	A30RKE	A30HKA	A30HKE	AX30RKA	AX30HKA	***	***	A030-4101	AJ30RBA	AJ30RBB	AJ30RBE	AZ30RBA	AZ30RBB	AZ30RBE				
35	A35RKA	A35RKE	A35HKA	A35HKE	AX35RKA	AX35HKA	***	***	A035-4101	AJ35RBA	AJ35RBB	AJ35RBE	AZ35RBA	AZ35RBB	AZ35RBE				

## Form-Flex® (A5C/B5C Series)

Kit Type	Repair				Hardware				Disc Pack
SGL/DBL	Single								Double
Used On	A5C, B5C								All
Mat'l Class	A,B	C,E	A,B	C,E	A,B	C,E	A,B	C,E	All
15	A5C15RKA	A5C15RKE	A5C15HKA	A5C15HKE	A5C15RKA-DF	A5C15RKE-DF	A5C15HKA-DF	A5C15HKE-DF	A015-4101
20	A5C20RKA	A5C20RKE	A5C20HKA	A5C20HKE	A5C20RKA-DF	A5C20RKE-DF	A5C20HKA-DF	A5C20HKE-DF	A020-4101
25	A5C25RKA	A5C25RKE	A5C25HKA	A5C25HKE	A5C25RKA-DF	A5C25RKE-DF	A5C25HKA-DF	A5C25HKE-DF	A025-4101
30	A5C30RKA	A5C30RKE	A5C30HKA	A5C30HKE	A5C30RKA-DF	A5C30RKE-DF	A5C30HKA-DF	A5C30HKE-DF	A030-4101
35	A5C35RKA	A5C35RKE	A5C35HKA	A5C35HKE	A5C35RKA-DF	A5C35RKE-DF	A5C35HKA-DF	A5C35HKE-DF	A035-4101
58	B5C58RKA	B5C58RKE	B5C58HKA	B5C58HKE	B5C58RKA-DF	B5C58RKE-DF	B5C58HKA-DF	B5C58HKE-DF	B058-4101

## Torsiflex-i (TF Series)

Kit Type	Repair Kit (4)	Hardware Kit (1)	Disc Pack (2)	TF Hub Attachment Screw Kit (3)	TFI Hub Attachment Screw Kit (3)	Rough Bore Hub	
Cplg Size			300 Series S.S			Std	Override
0017	TF0017EK	TF0017HK	TF0017-5-SS	TF0017HAS	TFI0017HAS	TFI0027AH	TFI0017LAH
0027	TF0027EK	TF0027HK	TF0027-5-SS	TF0027HAS	TFI0027HAS	TFI0027AH	TFI0027LAH
0038	TF0038EK	TF0038HK	TF0038-5-SS	TF0038HAS	TFI0038HAS	TFI0038AH	TFI0038LAH
0140	TF0140EK	TF0140HK	TF0140-5-SS	TF0140HAS	TFI0140HAS	TFI0140AH	-
0260	TF0260EK	TF0260HK	TF0260-5-SS	TF0260HAS	TFI0260HAS	TFI0260AH	-
0400	TF0400EK	TF0400HK	TF0400-5-SS	TF0400HAS	TFI0400HAS	TFI0400AH	-
0750	TF0750EK	TF0750HK	TF0750-5-SS	TF0750HAS	TFI0750HAS	TFI0750AH	-
1310	TF1310EK	TF1310HK	TF1310-5-SS	TF1310HAS	TFI1310HAS	TFI1310AH	-
1900	TF1900EK	TF1900HK	TF1900-5-SS	TF1900HAS	TFI1900HAS	TFI1900AH	-
2500	TF2500EK	TF2500HK	TF2500-5-SS	TF2500HAS	TFI2500HAS	TFI2500AH	-
3300	TF3300EK	TF3300HK	TF3300-5-SS	TF3300HAS	TFI3300HAS	TFI3300AH	-
6000	TF6000EK	TF6000HK	TF6000-5-SS	TF6000HAS	TFI6000HAS	TFI6000AH	-
8500	TF8500EK	TF8500HK	TF8500-5-SS	TF8500HAS	TFI8500HAS	TFI8500AH	-
12000	TF12000EK	TF12000HK	TF12000-5-SS	TF12000HAS	TFI12000HAS	TFI12000AH	-

- 1) Contains bolts, nuts and washers for 1 disc pack, 2 required for a complete coupling
- 2) Includes 1 complete disc pack, 2 required for a complete coupling
- 3) Contains all fasteners for 1 hub, 2 required for a complete coupling
- 4) Repair Kits include 1 disc pack and all disc pack bolts, nuts and washers for one end of a coupling, 2 kits required for a complete coupling.



# Coupling Repair Parts and Kits (Cont.)

## Form-Flex® (G Series)

Kit Type	Repair Kits				Hardware Kit	Disc Pack		Rough Bore Hub	
Used On	Double		Single		Single (1)	SS	CS	Std	Oversize
Mat'l Class	Disc Pack SS	Disc Pack CS	Disc Pack SS	Disc Pack CS					
311	G311-DF-SS	-	G311-SF-SS	-	G311-HK	G311-5-SS	-	G311-3ST	G311-3LST
321	G321-DF-SS	-	G321-SF-SS	-	G321-HK	G321-5-SS	-	G321-3ST	G321-3LST
332	G332-DF-SS	-	G332-SF-SS	-	G332-HK	G332-5-SS	-	G332-3ST	G332-3LST
346	G346-DF-SS	-	G346-SF-SS	-	G346-HK	G346-5-SS	-	G346-3ST	G346-3LST
380	G380-DF-SS	-	G380-SF-SS	-	G380-HK	G380-5-SS	-	G380-3ST	G380-3LST
412	G412-DF-SS	G412-DF	G412-SF-SS	G412-SF	G412-HK	G412-5-SS	G412-5	G412-3ST	G412-3LST
419	G419-DF-SS	G419-DF	G419-SF-SS	G419-SF	G419-HK	G419-5-SS	G419-5	G419-3ST	G419-3LST
424	G424-DF-SS	G424-DF	G424-SF-SS	G424-SF	G424-HK	G424-5-SS	G424-5	G424-3ST	-
444	G444-DF-SS	G444-DF	G444-SF-SS	G444-SF	G444-HK	G444-5-SS	G444-5	G444-3ST	-
456	G456-DF-SS	G456-DF	G456-SF-SS	G456-SF	G456-HK	G456-5-SS	G456-5	G456-3ST	-
483	G483-DF-SS	G483-DF	G483-SF-SS	G483-SF	G483-HK	G483-5-SS	G483-5	G483-3ST	-
511	G511-DF-SS	G511-DF	G511-SF-SS	G511-SF	G511-HK	G511-5-SS	G511-5	G511-3ST	-
520	G520-DF-SS	G520-DF	G520-SF-SS	G520-SF	G520-HK	G520-5-SS	G520-5	G520-3ST	-
525	G525-DF-SS	G525-DF	G525-SF-SS	G525-SF	G525-HK	G525-5-SS	G525-5	G525-3ST	-
530	G530-DF-SS	G530-DF	G530-SF-SS	G530-SF	G530-HK	G530-5-SS	G530-5	G530-3ST	-
540	G540-DF-SS	G540-DF	G540-SF-SS	G540-SF	G540-HK	G540-5-SS	G540-5	G540-3ST	-

## Form-Flex® (HSH/FSH Series)

Kit Type	Repair Kits				Hardware Kit	Disc Pack		Rough Bore Hub	
Cplg Size	Double		Single (1)		Single (2)	SS	CS	STL	Cast Iron
	Disc Pack SS	Disc Pack CS	Disc Pack SS	Disc Pack CS					
22	D22-DF-SS	D22-DF	D22-SF-SS	D22-SF	D22-BNW	D22-5-SS	D22-5	D22-3ST	-
26	D26-DF-SS	D26-DF	D26-SF-SS	D26-SF	D26-BNW	D26-5-SS	D26-5	D26-3ST	-
31	D31-DF-SS	D31-DF	D31-SF-SS	D31-SF	D31-BNW	D31-5-SS	D31-5	D31-3ST	D31-3
35	D35-DF-SS	D35-DF	D35-SF-SS	D35-SF	D35-BNW	D35-5-SS	D35-5	D35-3ST	D35-3
37	D37-DF-SS	D37-DF	D37-SF-SS	D37-SF	D37-BNW	D37-5-SS	D37-5	D37-3ST	D37-3
42	D42-DF-SS	D42-DF	D42-SF-SS	D42-SF	D42-BNW	D42-5-SS	D42-5	D42-3ST	D42-3
45	D45-DF-SS	D45-DF	D45-SF-SS	D45-SF	D45-BNW	D45-5-SS	D45-5	D45-3ST	D45-3
50	D50-DF-SS	D50-DF	D50-SF-SS	D50-SF	D50-BNW	D50-5-SS	D50-5	D50-3ST	-
55	D55-DF-SS	D55-DF	D55-SF-SS	D55-SF	D55-BNW	D55-5-SS	D55-5	D55-3ST	-
60	D60-DF-SS	D60-DF	D60-SF-SS	D60-SF	D60-BNW	D60-5-SS	D60-5	D60-3ST	-
70	D70-DF-SS	D70-DF	D70-SF-SS	D70-SF	D70-BNW	D70-5-SS	D70-5	D70-3ST	-
75	D75-DF-SS	D75-DF	D75-SF-SS	D75-SF	D75-BNW	D75-5-SS	D75-5	D75-3ST	-
80	D80-DF-SS	D80-DF	D80-SF-SS	D80-SF	D80-BNW	D80-5-SS	D80-5	D80-3ST	-
85	D85-DF-SS	D85-DF	D85-SF-SS	D85-SF	D85-BNW	D85-5-SS	D85-5	D85-3ST	-
92	D92-DF-SS	D92-DF	D92-SF-SS	D92-SF	D92-BNW	D92-5-SS	D92-5	D92-3ST	-
92HT	D92HT-DF-SS	D92HT-DF	D92HT-SF-SS	D92HT-SF	D92HT-BNW	D92-5-SS	D92-5	D92HT-3ST	-

## Form-Flex® (GCH/GCF Series)

Kit Type	Repair Kits				Hardware Kit	Disc Pack		Rough Bore Hub
Cplg Size	Double		Single (1)		Single (2)	SS	CS	STL
	Disc Pack SS	Disc Pack CS	Disc Pack SS	Disc Pack CS				
340	G340-DF-SS	G340-DF	G340-SF-SS	G340-SF	G340-BN	G340-5-SS	G340-5	G340-3ST
412	G412-DF-SS	G412-DF	G412-SF-SS	G412-SF	G412-BN	G412-5-SS	G412-5	G412-3ST
424	G424-DF-SS	G424-DF	G424-SF-SS	G424-SF	G424-BN	G424-5-SS	G424-5	G424-3ST
456	G456-DF-SS	G456-DF	G456-SF-SS	G456-SF	G456-BN	G456-5-SS	G456-5	G456-3ST
511	G511-DF-SS	G511-DF	G511-SF-SS	G511-SF	G511-BN	G511-5-SS	G511-5	G511-3ST

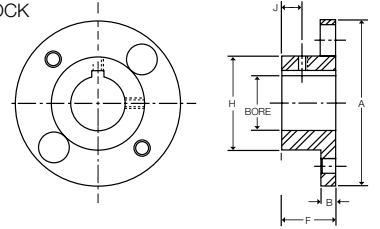


# Form-Flex® A-Series Hub Options

TO ORDER A COMPLETE COUPLING, ORDER TWO HUBS OF ANY TYPE AND A COUPLING (SPACER) SUB ASSEMBLY FOR THE REQUIRED COUPLING TYPE. ALL DIMENSIONS SHOWN IN INCHES.

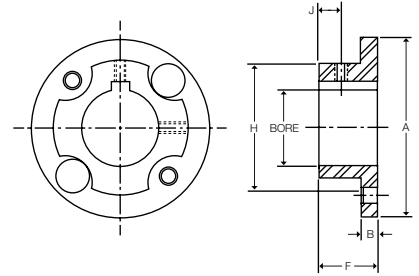
## AJ STANDARD HUBS - PROVIDED WITH STRAIGHT BORE AND KEYWAY - SOLID HUBS AVAILABLE FROM STOCK

Size	Max Bore		A	B	F	H	J	Std Set Screw Size
	(in)	(mm)						
05	0.875	22	2.65	0.25	1.00	1.30	0.38	#10-24 UNC
10	1.250	33	3.19	0.30	1.00	1.80	0.38	1/4-20 UNC
15	1.375	36	3.65	0.35	1.13	2.00	0.41	1/4-20 UNC
20	1.688	46	4.08	0.35	1.32	2.40	0.50	1/4-20 UNC
25	2.000	53	4.95	0.45	1.62	2.80	0.63	5/16-18 UNC
30	2.380	63	5.63	0.55	1.88	3.30	0.69	5/16-18 UNC
35	2.938	80	6.63	0.55	2.25	4.15	0.88	1/2-13 UNC



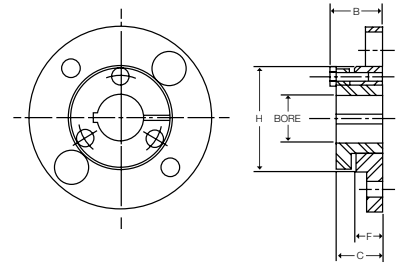
## AZ OVERSIZE BORE HUBS - PROVIDED WITH STRAIGHT BORE AND KEYWAY

Size	Max Bore		A	B	F	H	J	Std Set Screw Size
	(in)	(mm)						
05	1.188	30	2.65	0.25	1.00	1.88	0.38	#10-24 UNC
10	1.625	43	3.19	0.30	1.00	2.37	0.38	1/4-20 UNC
15	1.750	48	3.65	0.35	1.13	2.69	0.41	1/4-20 UNC
20	2.125	58	4.08	0.35	1.32	3.13	0.50	1/4-20 UNC
25	2.563	68	4.95	0.45	1.62	3.75	0.63	5/16-18 UNC
30	2.875	79	5.63	0.55	1.88	4.25	0.69	5/16-18 UNC
35	3.750	101	6.63	0.55	2.25	5.25	0.88	1/2-13 UNC



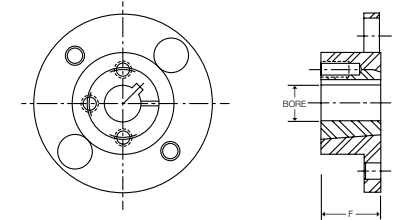
## QD BORED HUBS - MATERIAL CLASS A OR B ONLY

Size	Bush Size	Bush TQ. (lb-in)	Max Bore		B	C	F	H	Bolt Size
			(in)	(mm)					
15	JA	1000	1.250	28	1.17	1.00	0.56	2.00	#10-24 UNC
20	JA	1000	1.250	28	1.17	1.00	0.56	2.40	#10-24 UNC
25	SH	3500	1.688	35	1.50	1.25	0.75	2.80	1/4-20 UNC
30	SD	5000	2.000	42	2.06	1.81	1.25	3.30	1/4-20 UNC
35	SK	7000	2.625	55	2.19	1.87	1.25	4.15	5/16-18 UNC
40	SF	11000	2.938	65	2.38	2.06	1.37	4.65	3/8-16 UNC



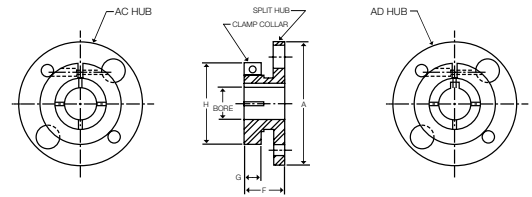
## HUBS FOR TAPER LOCK BUSHINGS - AVAILABLE MTO ONLY

Size	Regular Mount					Reverse Mount				
	Bush Size	Bush TQ. (lb-in)	Max Bore		F (in)	Bush Size	Bush TQ. (lb-in)	Max Bore		F (in)
			(in)	(mm)				(in)	(mm)	
15	N/A	-	-	-	-	1108	1300	1.12	25	0.87
20	1108	1300	1.12	25	0.87	1215	3550	1.25	32	1.50
25	1215	3550	1.25	32	1.50	1310	3850	1.37	35	1.00
30	1310	3850	1.37	35	1.00	1615	4300	1.62	42	1.50
35	2012	7150	2.00	48	1.25	2517	11600	2.50	65	1.75
40	2525	11300	2.50	65	2.50	2525	11300	2.50	65	2.50



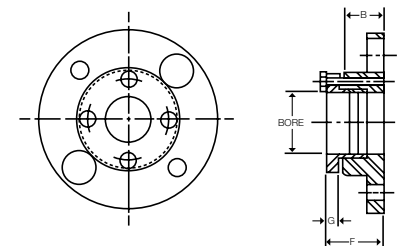
## AC/AD CLAMPING HUBS - AC HUBS PROVIDED WITHOUT KEYWAY - AD HUBS PROVIDED WITH KEYWAY - MATERIAL CLASS A OR B ONLY

Size	Max Bore				A	F	G	H	Clamp Screw Size
	AC		AD						
	(in)	(mm)	(in)	(mm)					
5	1.00	25	0.87	20	2.65	1.13	0.50	2.06	1/4-20 UNC
10	1.00	25	0.87	20	3.19	1.18	0.50	2.06	1/4-20 UNC
	1.50	38	1.25	30		1.36	0.69	2.75	5/16-18 UNC
15	1.00	25	0.87	20	3.65	1.27	0.50	2.06	1/4-20 UNC
	1.75	44	1.37	24		1.46	0.69	3.00	5/16-18 UNC
20	1.31	33	1.00	24	4.08	1.32	0.55	2.38	1/4-20 UNC
	2.13	53	1.62	42		1.52	0.75	3.50	3/8-16 UNC
25	2.13	53	1.62	42	4.95	1.62	0.64	3.50	5/16-18 UNC
	2.50	63	1.87	50		1.86	0.88	4.00	3/8-16 UNC



## AL LOCK ELEMENT HUBS - THESE HUBS USE RINGFEDER TAPERED LOCKING ELEMENTS - MATERIAL CLASS A OR B ONLY

Size	Hub Type	Bore Size				B	F	G	Screw Size
		Min		Max					
		(in)	(mm)	(in)	(mm)				
5	AJ	0.24	6	0.51	13	1.00	1.32	0.32	#10-32 UNF
	AZ	0.55	14	0.75	19	1.00	1.42	0.42	1/4-28 UNF
10	AJ	0.47	12	0.71	18	1.00	1.42	0.42	1/4-28 UNF
	AZ	0.75	19	1.18	30	1.00	1.42	0.42	1/4-28 UNF
15	AJ	0.47	12	0.87	22	1.13	1.55	0.42	1/4-28 UNF
	AZ	0.94	24	1.38	35	1.13	1.55	0.42	1/4-28 UNF
20	AJ	0.87	22	1.18	30	1.32	1.78	0.42	1/4-28 UNF
	AZ	1.26	32	1.65	42	1.32	1.83	0.51	5/16-24 UNF
25	AJ	0.87	22	1.26	32	1.63	2.05	0.42	1/4-28 UNF
	AZ	1.38	35	1.97	50	1.63	2.23	0.60	3/8-24 UNF

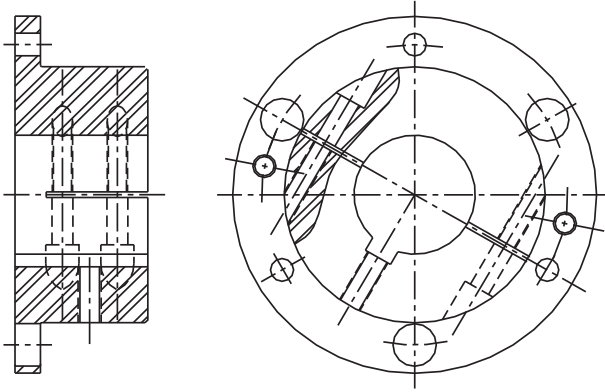


NOTE: AC and AL Hubs do not carry full torque capacity. Please consult engineering.

# Form-Flex® G-Series and Torsiflex-i Hub Options

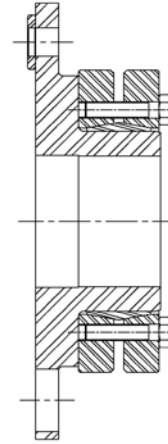
## CLAMP HUB

PROVIDED WITH STRAIGHT BORE AND KEYWAY



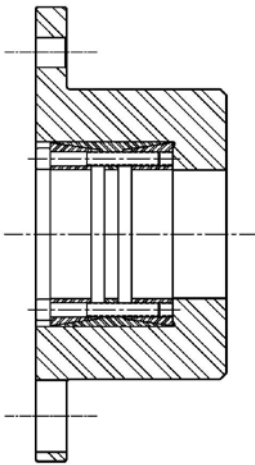
## EXTERNAL LOCKING ELEMENT

USED WITH KEYLESS SHAFTS



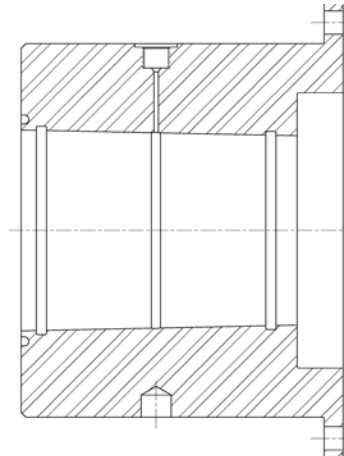
## INTERNAL LOCKING ELEMENT

USED WITH KEYLESS SHAFTS



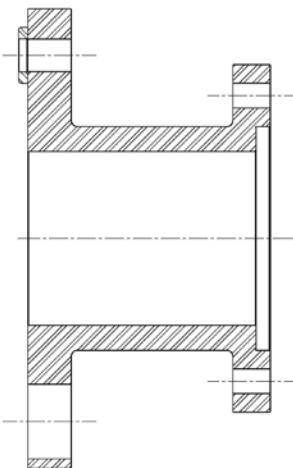
## TAPER BORE WITH HYDRAULIC REMOVAL

USED WITH KEYLESS TAPERED SHAFTS



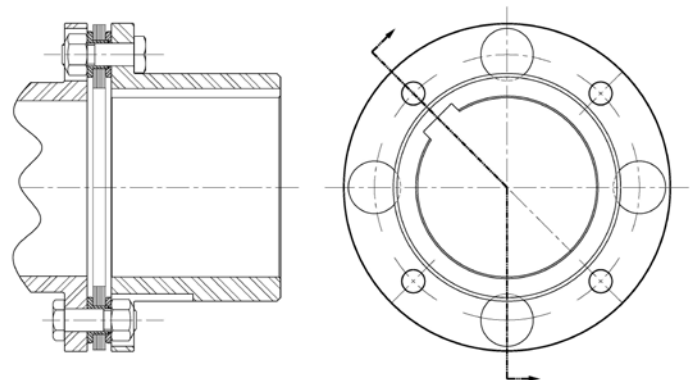
## SPECIAL FLANGE ADAPTERS

DESIGNED TO MATE WITH ANY CUSTOM FLANGE



## OVERSIZE HUB DESIGN

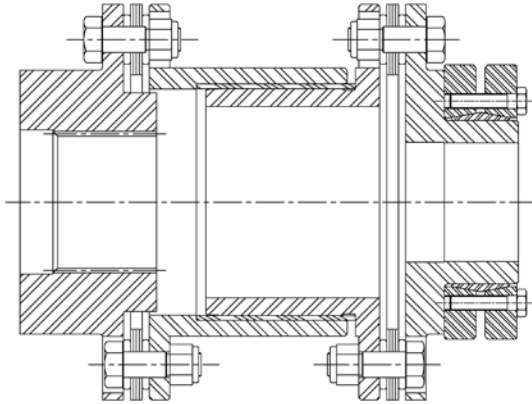
FOR INCREASED BORE CAPACITY



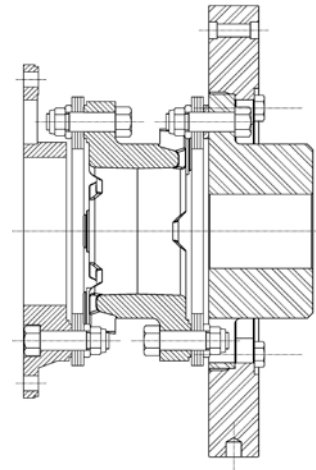
# Coupling Design Options and Special Applications

## ELECTRICAL INSULATION SPACER WITH SPLINE BORE AND EXTERNAL LOCKING ELEMENT

Two piece spacer design with e-glass composite tube separating the steel halves.

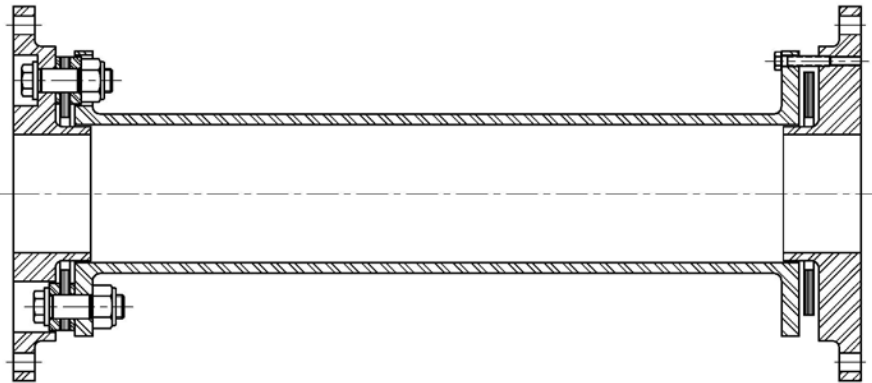


## INERTIA RING ADDED TO TORSIONALLY TUNE COMPRESSOR SYSTEM



## MODIFIED TORSIFLEX-i DESIGN WITH FLANGE TO FLANGE MOUNTING

Flanges designed to bolt to customer pilot and bolt pattern for test stand application.



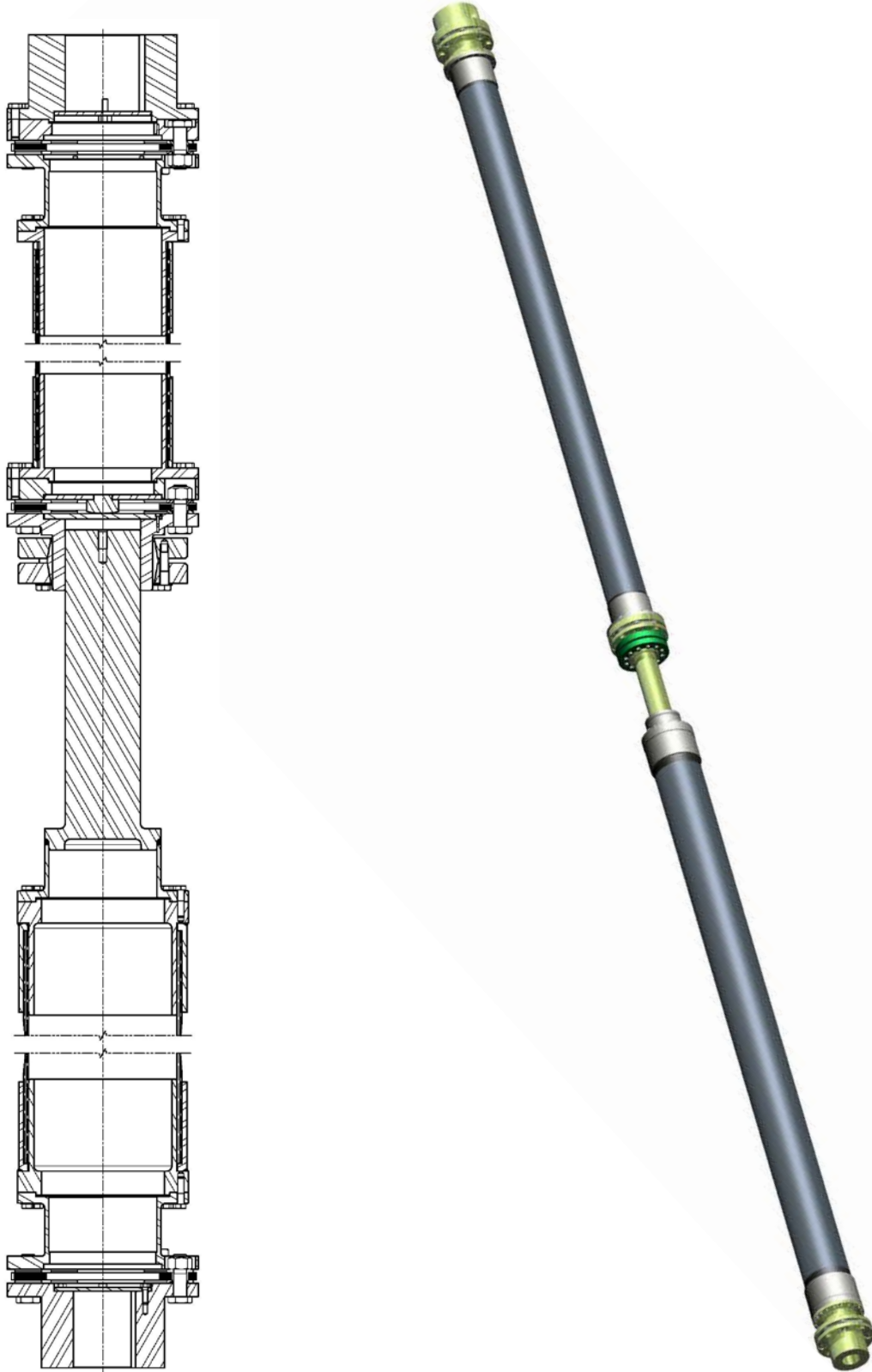
## FLOATING SHAFT COUPLING WITH OVER SIZED TUBE FOR INCREASED STIFFNESS AND CRITICAL SPEED WITH CUSTOM FLANGE ADAPTER

Special features include oversize steel tube welded to bolted adapters for easy assembly, motor hub with integral brake disc, custom flange.

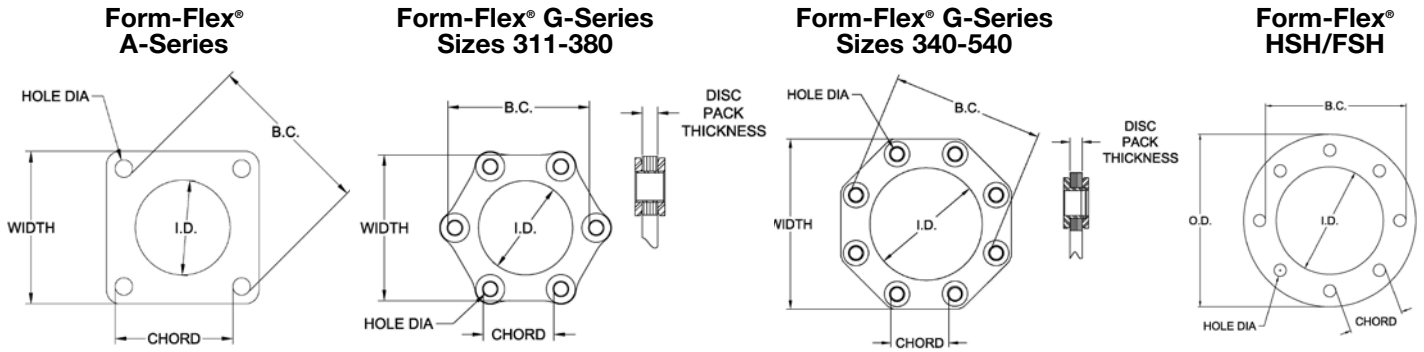


# Coupling Design Options and Special Applications

## MULTI-SHAFT ASSEMBLY FOR VERICAL PUMPING STATIONS USING COMPOSITE TUBE TECHNOLOGY



# Disc, Bolt Thread and Tool Size Identification Chart



Coupling Series	Disc Size	Disc Dimensions (in)						Bolt				Nut	
		Width/OD	ID	Hole Dia.	B.C. Dia.	Chord	Disc Pack Thickness	Thread Dia. (in)	Thread Pitch	Thread Designation	HEX WAF (in)	HEX WAF (in)	Wrench Torque (lb-ft)
Form-Flex A-Series	5	1.83	1.00	0.25	1.88	1.31	0.06	0.250	28	1/4-28	0.438	0.438	8
	10	2.19	1.17	0.25	2.37	1.69	0.09	0.250	28	1/4-28	0.438	0.438	8
	15	2.54	1.28	0.31	2.69	1.88	0.12	0.313	24	5/16-24	0.500	0.500	17
	20	2.84	1.65	0.31	3.12	2.19	0.14	0.313	24	5/16-24	0.500	0.500	17
	25	3.52	1.78	0.44	3.75	2.63	0.15	0.438	20	7/16-20	0.625	0.625	40
	30	4.01	2.01	0.50	4.25	3.00	0.21	0.500	20	1/2-20	0.750	0.750	58
Form-Flex G-Series	35	4.71	2.71	0.50	5.25	3.69	0.27	0.500	20	1/2-20	0.750	0.750	58
	311	4.78	3.58	0.39	4.86	2.44	0.20	0.313	24	5/16-24	0.500	0.500	22
	321	5.38	3.72	0.51	5.25	2.63	0.25	0.438	20	7/16-20	0.625	0.688	55
	332	6.00	3.87	0.64	5.81	2.88	0.32	0.563	18	9/16-18	0.813	0.813	120
	346	6.93	4.75	0.64	6.81	3.38	0.32	0.563	18	9/16-18	0.813	0.813	120
	380	8.05	5.06	0.87	7.48	3.75	0.39	0.750	16	3/4-16	1.125	1.125	288
	340	7.50	4.91	0.63	6.75	2.56	0.24	0.500	20	1/2-20	0.875	0.875	75
	412	9.61	6.10	1.00	8.50	3.25	0.39	0.750	16	3/4-16	1.250	1.250	250
	419	11.01	7.00	1.14	9.75	3.75	0.50	1.000	14	1-14	1.625	1.625	450
	424	13.49	8.89	1.20	12.01	4.63	0.50	1.000	14	1-14	1.625	1.625	450
	444	15.06	9.60	1.44	13.19	5.06	0.57	1.125	12	1 1/8-12	1.813	1.813	840
	456	16.57	10.66	1.56	14.57	5.56	0.69	1.250	12	1 1/4-12	2.000	2.000	1,095
	483	17.90	11.54	1.67	15.75	6.00	0.77	1.375	12	1 3/8-12	2.188	2.188	1,240
	511	20.35	13.50	1.74	18.06	6.94	0.93	1.500	12	1 1/2-12	2.375	2.364	1,640
Form-Flex HSH/FSH	520	23.19	14.59	2.21	20.20	7.75	1.14	1.875	12	1 7/8-12	3.000	0.438	108
	525	24.95	15.64	2.35	21.70	8.31	1.20	2.000	12	2-12	3.125	0.438	124
	530	26.12	16.34	2.50	22.70	8.69	1.26	2.125	12	2 1/8-12	3.375	0.438	141
	540	31.21	21.15	2.65	28.05	10.75	1.58	2.250	10	2 1/4-12	3.750	0.563	196
	22	5.625	3.855	0.3275	4.7505	1.81	0.18	0.313	24	5/16-24	0.500	0.500	25
	26	6.565	4.400	0.4055	5.5010	2.13	0.22	0.375	24	3/8-24	0.563	0.563	30
	31	7.750	5.250	0.4680	6.5000	2.50	0.25	0.438	20	7/16-20	0.625	0.625	40
	35	8.625	5.750	0.5315	7.2500	2.75	0.29	0.500	20	1/2-20	0.813	0.750	70
	37	9.625	6.312	0.6265	8.0000	3.06	0.33	0.563	18	9/16-18	0.938	0.875	95
	42	10.500	6.750	0.6885	8.6250	3.31	0.31	0.625	18	5/8-18	1.063	0.938	125
	45	11.250	7.250	0.7505	9.2500	3.56	0.38	0.625	18	5/8-18	1.125	1.063	150
	50	12.813	8.500	0.8755	10.5000	4.00	0.47	0.750	16	3/4-16	1.250	1.250	210
	55	14.375	9.000	1.0005	11.7500	4.50	0.54	0.875	14	7/8-14	1.375	1.438	320
	60	15.938	9.938	1.1270	13.0000	5.00	0.59	1.000	14	1-1/4	1.625	1.625	450
70	18.125	11.125	1.3120	14.7500	5.63	0.78	1.125	12	1 1/8-12	1.750	1.813	575	
75	19.720	12.000	1.4380	16.0000	6.13	0.80	1.250	12	1 1/4-12	1.938	2.000	830	
80	21.438	13.125	1.5630	17.3760	6.63	0.81	1.375	12	1 3/8-12	2.125	2.188	1000	
85	22.875	14.000	1.7505	18.5000	7.06	0.88	1.500	12	1 1/2-12	2.500	2.375	1400	
92	24.875	15.000	1.8760	20.0000	7.63	1.01	1.500	12	1 1/2-12	2.500	2.375	1400	
92HT	24.875	15.000	1.8760	20.0000	7.63	1.01	1.750	12	1 3/4-12	2.500	2.750	2400	

# Application Data Sheet

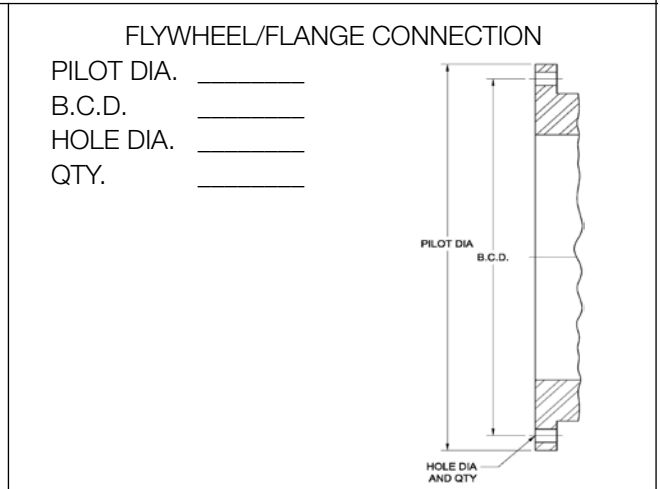
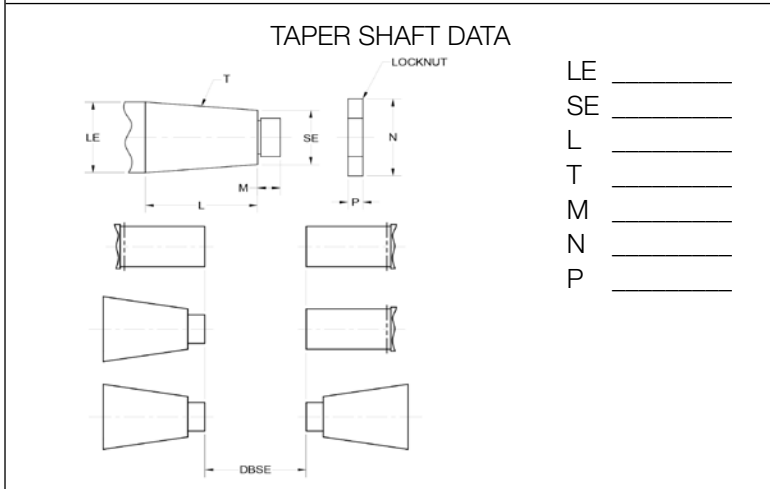
Project Ref: \_\_\_\_\_  
 Company: \_\_\_\_\_ Date: \_\_\_\_\_  
 Contact: \_\_\_\_\_ Email: \_\_\_\_\_  
 Replacing: \_\_\_\_\_ Phone #: \_\_\_\_\_

<b>SECTION I - DRIVER</b>	Electric Motor <input type="checkbox"/> ; Engine <input type="checkbox"/> - # Cylinders _____ ; Turbine <input type="checkbox"/> ; Other _____
HP: _____	KW: _____ Normal Torque: _____ Lb-in[ ] Nm[ ]
Rated Speed: _____	Max Torque: _____ Lb-in[ ] Nm[ ]
Operating Speed: _____	Breakdown Torque: _____ Lb-in[ ] Nm[ ]

<b>SECTION II - DRIVEN</b>	Description: _____
Load Application: Non-Pulsating <input type="checkbox"/> Medium Pulsating <input type="checkbox"/> Heavy Pulsating <input type="checkbox"/> Smooth <input type="checkbox"/> Light Shock <input type="checkbox"/> Heavy Shock <input type="checkbox"/>	

<b>SECTION III - COUPLING APPLICATION</b>	Min Service Factor: _____
Temperature Range: _____ to _____ °C <input type="checkbox"/> or °F <input type="checkbox"/>	Hydraulic Removal: Yes <input type="checkbox"/> No <input type="checkbox"/>
Specification: API671 <input type="checkbox"/> Edition _____ ; API610 <input type="checkbox"/> Edition _____ ; Other _____	
Balance: Cplg <input type="checkbox"/> Hubs <input type="checkbox"/> Spacer <input type="checkbox"/>	Balance Specification _____

<b>SECTION IV - DIMENSIONAL DATA</b>	Distance Between Shaft Ends (DBSE): _____ IN <input type="checkbox"/> MM <input type="checkbox"/>
Taper Shaft & Keyway Data	
Driver	Driven
Shaft Dia (Straight): _____	_____
Shaft Dia L.E. (Taper): _____	_____
Taper Ratio _____	_____
Keyway Size: Width _____ Depth _____	Width _____ Depth _____
KW Depth Across Bore: _____	_____



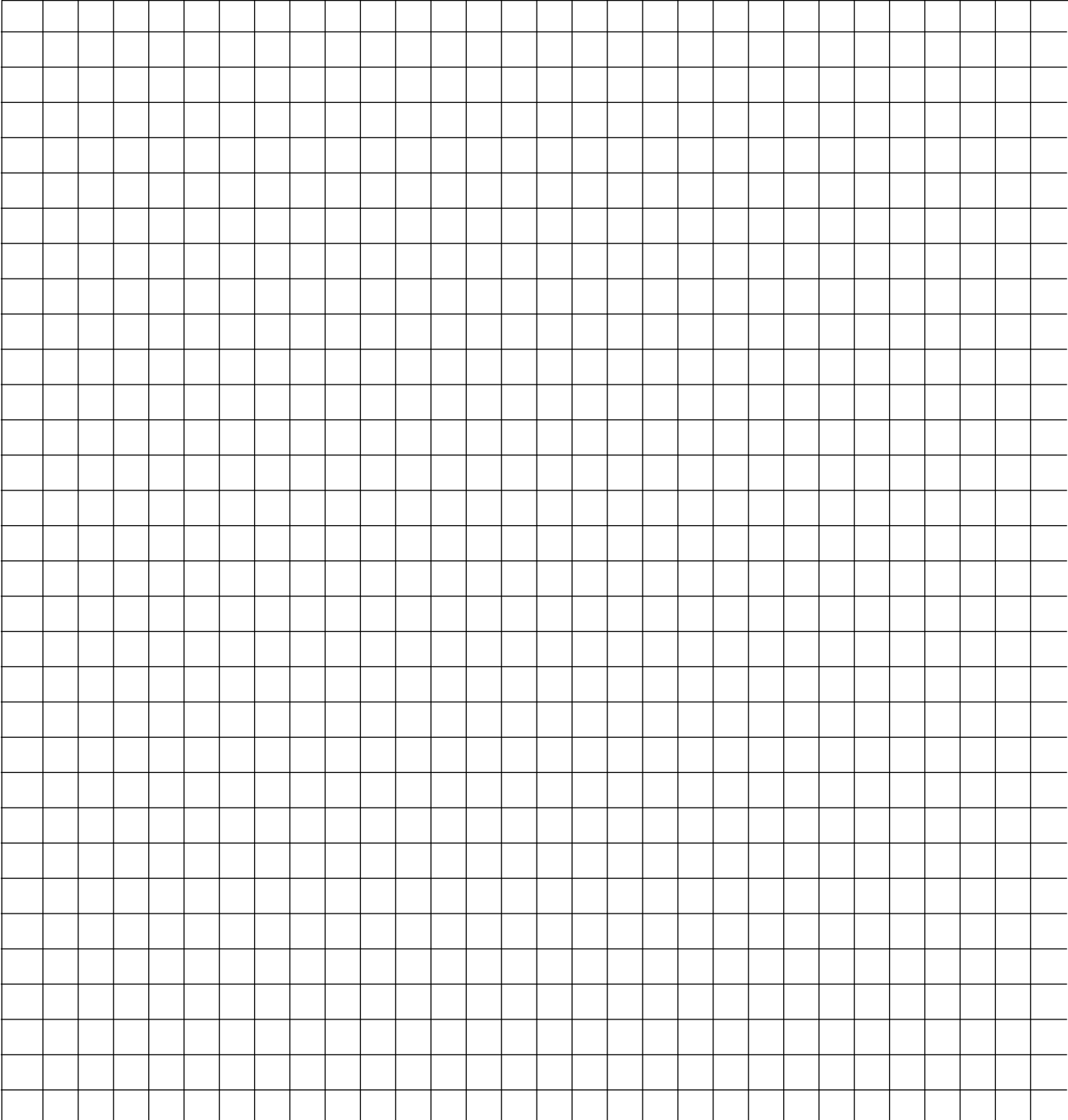
**STANDARD ADAPTER SIZES**

Size	O.D. (in)	SAE Bolting			HD Bolting		
		P.C.D. (in)	Hole Qty.	Hole Size (in)	P.C.D. (in)	Hole Qty.	Hole Size (in)
10	10.375	9.625	6	0.406	9.500	8	0.469
12	12.375	11.625	8	0.406	11.500	8	0.531
14	13.875	13.125	8	0.406	12.500	8	0.656
18	18.375	17.250	8	0.531	16.750	8	0.781
20	20.375	19.250	8	0.531	18.500	8	0.906
22	22.500	21.375	6	0.656	20.500	8	1.031
26	26.500	25.250	12	0.656	24.500	12	1.031
28	28.875	27.250	12	0.781	26.875	12	1.031

# Application Data Sheet

---

Additional Comments: \_\_\_\_\_  
\_\_\_\_\_  
\_\_\_\_\_  
\_\_\_\_\_  
\_\_\_\_\_



Sketch Area

# Rigid Couplings

**F7**



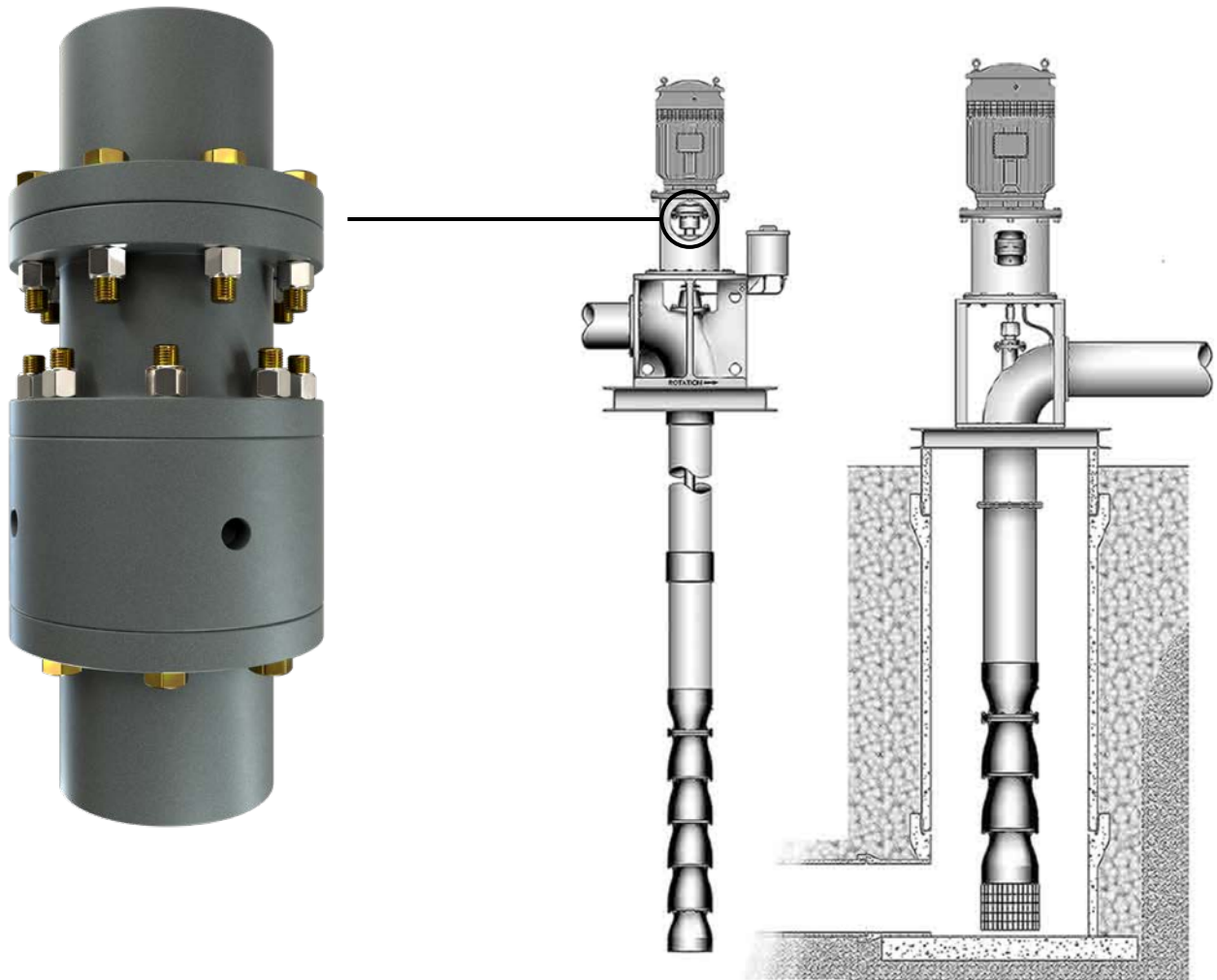


# AVS Series Couplings

---

## AVS Series (Adjustable Vertical Spacer)

- Coupling used for vertical turbine pumps
- No flexible element
- Integral “nut” used for infinite adjustment of pump turbine spacing



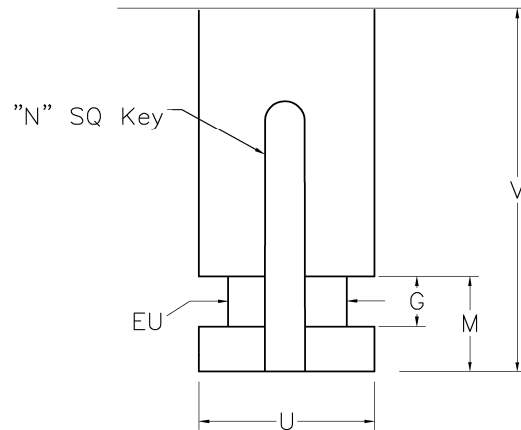
# Vertical Adjustable Rigid Coupling AVS Series

## Dimensions



- Major components are AISI 1045 steel
- Grade 8, Zinc Plated Hardware
- Meets AGMA 8 balance
- Component balance is optional
- Zinc Phosphate coated hubs, spacer and adjuster nut

DIMENSIONS						
NEMA SIZE	N	V	U	EU	G	M
182HP 184HP	.25	3.00	1.125	0.875	.377 .375	.75
213HP 215HP	.25	3.00	1.125	0.875	.377 .375	.75
254HP 256HP	.25	3.00	1.125	0.875	.377 .375	.75
284HP 286HP	.25	3.00	1.125	0.875	.377 .375	.75
324HP 326HP	.38	4.75	1.625	1.250	.377 .375	.75
364HP 365HP	.375	4.50	1.625	1.250	.377 .375	.75

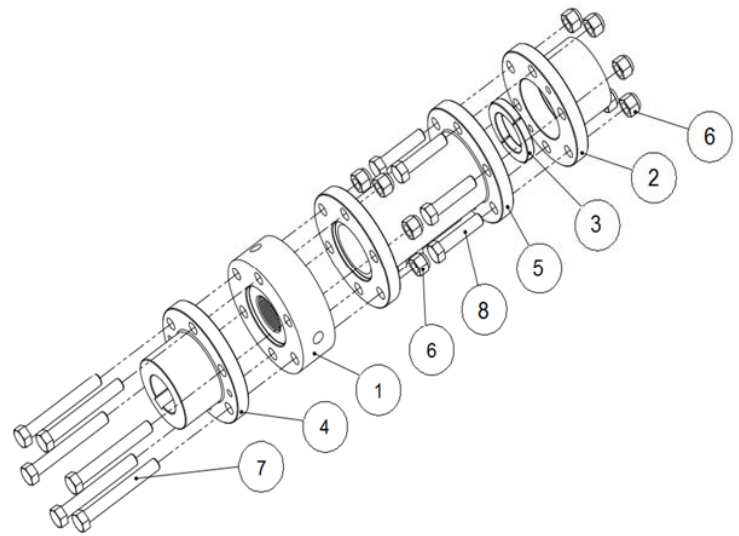
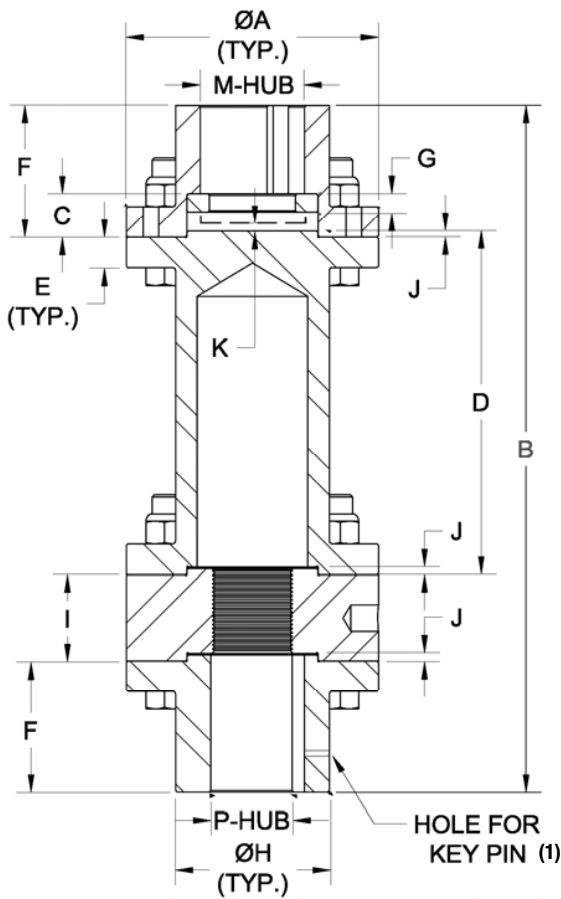


SIZE	RATED TORQUE		PEAK O/L TORQUE (LB-IN)	THRUST CAPACITY (LBS)	WEIGHT (LBS) (1)		WR <sup>2</sup> (LB/IN <sup>2</sup> ) (1)		BOLT TIGHTEN TORQUE (FT-LB)	BOLT PER FLANGE	BOLT LENGTH (IN)		BOLT DIA. (IN)
	TORQUE (LB-IN)	HP/100 RPM			D MIN.	PER INCH ADDER	D MIN.	PER INCH ADDER			PUMP END	MOTOR END	
114	1,701	2.7	3,403	4,500	6.69	0.26	7.18	0.16	11	4	2.50	1.25	0.25
134	5,042	8.0	10,084	11,000	14.13	0.61	27.5	0.74	24	6	3.00	1.50	0.31
214	11,281	17.9	21,209	28,500	28.7	1.06	93.6	1.95	75	6	4.00	2.13	0.50
234	21,302	33.8	37,279	28,500	49.4	1.66	223	4.71	84	6	5.75	2.13	0.50
318	27,983	44.4	55,966	28,500	62.4	1.92	338	7.12	97	6	6.00	2.38	0.50
338	35,924	57	63,586	38,000	73.9	2.42	438	9.67	97	8	6.00	2.38	0.50
414	68,697	109	137,395	66,000	139	3.43	1,456	23.03	300	6	7.00	2.88	0.75
512	195,378	310	293,066	159,000	260	5.78	4,484	62.49	733	8	6.50	3.50	1.00
612	254,621	404	509,242	199,000	374	7.11	8,174	115.58	733	10	6.25	4.00	1.00
778	448,738	712	897,476	278,000	714	9.62	21,558	226.01	733	14	9.75	6.00	1.00
918	723,527	1,148	1,447,054	294,000	1,074	12.50	41,944	400.47	1,025	12	10.00	6.25	1.13
1100	1,363,861	2,164	2,727,722	352,000	1,816	16.65	101,100	780.89	1,025	12	11.50	7.25	1.13

1. Weight and WR<sup>2</sup> are calculated for couplings with DBSE = D std. and hubs at maximum bore size.  
2. Consult factory for torsional stiffness.

# Vertical Adjustable Rigid Coupling AVS Series

## Dimensions



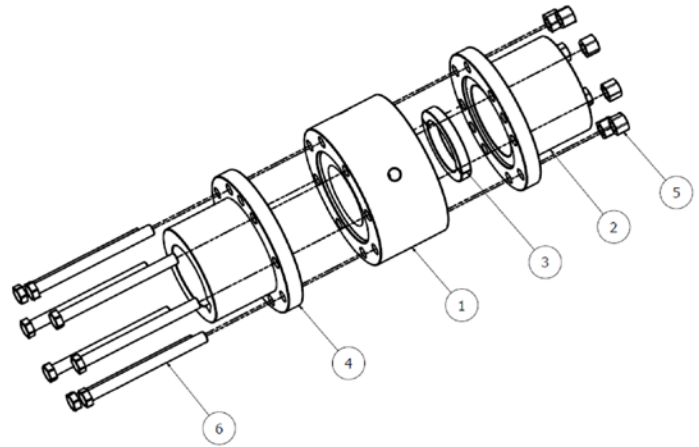
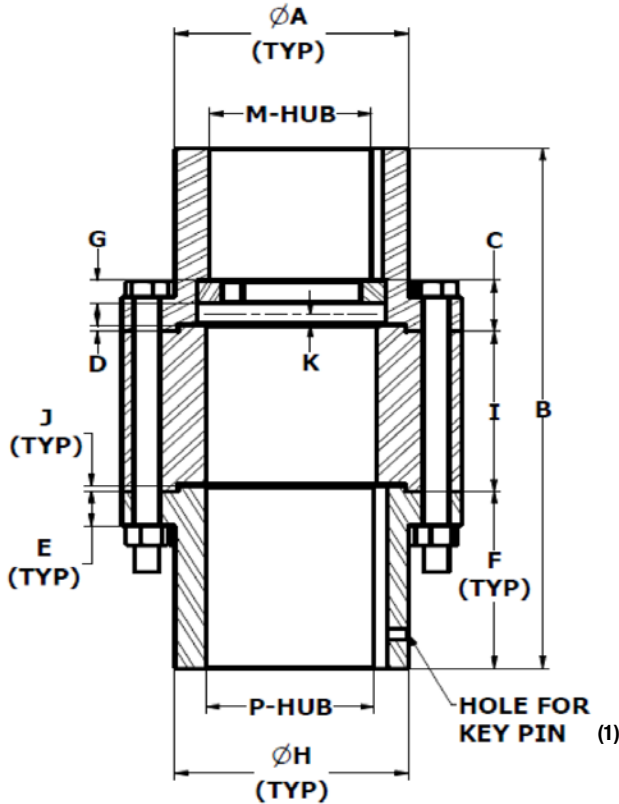
ITEM	DESCRIPTION
1	Adjusting Nut (2)
2	Motor Hub
3	Split Ring
4	Pump Hub
5	Spacer
6	All Steel Lock Nut
7	Pump End Bolt
8	Motor End Bolt

SIZE	MAX BORES		DIMENSIONS (IN)												
	P-HUB (IN) (4)	M-HUB (IN) (5)	A	B		C	D		E	F	G	H	I	J	K
				MIN	STD		MIN	STD							
114	1.250	1.125	3.00	6.75	9.56	0.89	1.63	4.44	0.38	2.00	0.375	1.75	1.25	0.125	0.016
134	1.750	1.688	4.00	7.63	10.31	0.89	1.75	4.44	0.44	2.25	0.375	2.50	1.50	0.125	0.016
214	2.250	2.125	5.13	9.63	11.44	0.89	2.63	4.44	0.63	2.69	0.375	3.13	1.75	0.125	0.016
234	2.750	2.625	5.88	11.88	13.69	0.89	2.63	4.44	0.63	2.94	.375/.50	3.88	3.50	0.125	0.016
318	3.125	2.938	6.38	13.13	14.69	0.89	2.88	4.44	0.75	3.44	.375/.50	4.38	3.50	0.125	0.016
338	3.375	3.250	6.75	14.25	15.81	0.89	2.88	4.44	0.75	4.00	.375/.50	4.63	3.50	0.125	0.016
414	4.250	3.938	8.94	15.75	17.06	0.89	3.13	4.44	0.81	4.38	.375/.50	5.88	4.00	0.125	0.016
512	5.500	5.125	11.75	19.50	20.38	1.38	4.50	5.00	1.00	6.00	.500/.750	7.50	3.00	0.250	0.125
612	6.500	6.438	13.25	25.38	26.25	1.63	4.75	5.00	1.13	9.25	0.625	9.00	2.38	0.250	0.125
778	7.875	7.500	15.00	31.94	33.13	1.94	7.06	7.50	2.25	10.75	0.750	10.75	3.69	0.313	0.125
918	9.125	9.000	17.25	37.00	41.50	1.94	7.31	7.50	2.25	15.00	0.750	12.50	3.56	0.313	0.125
1100	11.000	10.938	20.50	48.94	49.89	1.94	8.31	8.50	2.75	18.38	0.750	15.00	4.19	0.313	0.125

- Key Pin not included.
- Adjuster Nut can be left or right hand thread.
- Altra Couplings recommends coupling selection based on bore sizes and verify that torque service factor is a minimum of 1.25.
- Standard hub bore is for AGMA Clearance fit, but Interference fit is available upon request.
- Standard keyways per AGMA Commercial fit (Imperial), and Normal fit (Metric).

# Vertical Rigid Close Coupling AVS Series

## Dimensions



ITEM	DESCRIPTION
1	Adjusting Nut (2)
2	Motor Hub
3	Split Ring
4	Pump Hub
5	All Steel Lock Nut
6	Pump End Bolt

SIZE	MAX BORES		WEIGHT (LBS) (3)	WR <sup>2</sup> (LB-IN <sup>2</sup> ) (3)	DIMENSIONS (IN)										
	P-HUB	M-HUB			A	B	C	D	E	F	G	H	I	J	K
	(IN)(4)	(IN)(5)													
114	1.250	1.125	4.39	4.89	3.00	5.25	0.89	0.125	0.38	2.00	0.375	1.75	1.25	0.125	0.016
134	1.750	1.688	9.21	18.66	4.00	6.00	0.89	0.125	0.44	2.25	0.375	2.50	1.50	0.125	0.016
214	2.250	2.125	18.4	62	5.13	7.13	0.89	0.125	0.63	2.69	0.375	3.13	1.75	0.125	0.016
234	2.750	2.625	35.4	166	5.88	9.38	0.89	0.125	0.63	2.94	.375/.50	3.88	3.50	0.125	0.016
318	3.125	2.938	45.0	250	6.38	10.38	0.89	0.125	0.75	3.44	.375/.50	4.38	3.50	0.125	0.016
338	3.375	3.250	53.4	324	6.75	11.50	0.89	0.125	0.75	4.00	.375/.50	4.63	3.50	0.125	0.016
414	4.250	3.938	103	1097	8.94	12.76	0.89	0.125	0.81	4.38	.375/.50	5.88	4.00	0.125	0.016
512	5.500	5.125	187	3183	11.75	15.00	1.38	0.25	1.00	6.00	.500/.750	7.50	3.00	0.25	0.125
612	6.500	6.438	278	5899	13.25	20.88	1.63	0.25	1.13	9.25	0.625	9.00	2.38	0.25	0.125
778	7.875	7.500	499	14834	15.00	25.19	1.94	0.313	2.25	10.75	0.75	10.75	3.69	0.313	0.125
918	9.125	9.000	796	30369	17.25	33.56	1.94	0.313	2.25	15.00	0.75	12.50	3.56	0.313	0.125
1100	11.000	10.938	1359	73973	20.50	40.95	1.94	0.313	2.75	18.38	0.75	15.00	4.19	0.313	0.125

1. Key pin not included
2. Adjuster Nut can be left or right hand thread
3. Weight and WR2 calculated with hubs at max bore
4. Standard hub bore is for AGMA Clearance fit, but Interference fit is available upon request.
5. Standard keyways per AGMA Commercial fit (Imperial), and Normal fit (Metric).
6. Altra Couplings recommends coupling selection based on bore sizes and verify that torque service factor is a minimum of 1.25.







# General Engineering Information

**GEN**

- **NEMA Motor Information**
- **Useful Engineering Formulas**



# NEMA Motor Standards

## NEMA Frame and H. P. Assignments for Open Type, Polyphase Squirrel-Cage 60 Cycle Motors

H.P.	3600 RPM			1800 RPM			1200 RPM		
	FRAME NO.			FRAME NO.			FRAME NO.		
	Old	1956	T	Old	1956	T	Old	1956	T
3/4	-	-	-	-	-	-	203	182	143T
1	-	-	-	203	182	143T	204	184	145T
1-1/2	203	182	143T	204	184	145T	224	184	182T
2	204	184	145T	224	184	145T	225	213	184T
3	224	184	145T	225	213	182T	254	215	213T
5	225	213	182T	254	215	184T	284	254U	215T
7-1/2	254	215	184T	284	254U	213T	324	256U	254T
10	284	254U	213T	324	256U	215T	326	284U	256T
15	324	256U	215T	326	284U	254T	364	324U	284T
20	326	284U	254T	364	286U	256T	365	326U	286T
25	364S	286U	256T	364	324U	284T	-	364U	324T
30	364S	324S	284TS	365	326U	286T	-	365U	326T
40	365S	326S	286TS	-	364U	324T	-	404U	364T
50	-	364US	324TS	-	365US	326T	-	405U	365T
60	-	365US	326TS	-	404US	364TS	-	444U	404T
75	-	404US	364TS	-	405US	365TS	-	445U	405T
100	-	405US	365TS	-	444US	404TS	-	-	444T
125	-	444US	404TS	-	445US	405TS	-	-	445T
150	-	445US	405TS	-	-	444TS	-	-	-
200	-	-	444TS	-	-	445TS	-	-	-
250	-	-	445TS	-	-	-	-	-	-

### T Series Shaft Diameters

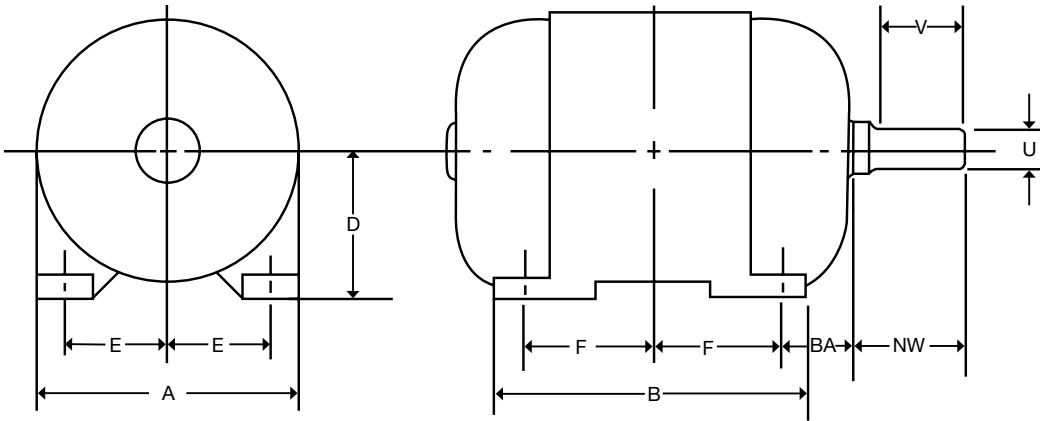
H.P.	3600 RPM		1800 RPM		1200 RPM	
	Frame No.	Shaft	Frame No.	Shaft	Frame No.	Shaft
3/4	-	-	-	-	143T	7/8
1	-	-	143T	7/8	145T	7/8
1-1/2	143T	7/8	145T	7/8	182T	1-1/8
2	145T	7/8	145T	7/8	184T	1-1/8
3	145T	7/8	182T	1-1/8	213T	1-3/8
5	182T	1-1/8	184T	1-1/8	215T	1-3/8
7-1/2	184T	1-1/8	213T	1-3/8	254T	1-5/8
10	213T	1-3/8	215T	1-3/8	256T	1-5/8
15	215T	1-3/8	254T	1-5/8	284T	1-7/8
20	254T	1-5/8	256T	1-5/8	286T	1-7/8
25	256T	1-5/8	284T	1-7/8	324T	2-1/8
30	284T	1-7/8	286T	1-7/8	326T	2-1/8
40	286T	1-7/8	324T	2-1/8	364T	2-3/8
50	324T	2-1/8	326T	2-1/8	365T	2-3/8
60	326T	2-1/8	364T	2-3/8	404T	2-7/8
75	364T	2-3/8	365T	2-3/8	405T	2-7/8
100	365T	2-3/8	404T	2-7/8	444T	3-3/8
125	404T	2-7/8	405T	2-7/8	445T	3-3/8
150	405T	2-7/8	444T	3-3/8	-	-
200	444T	3-3/8	445T	3-3/8	-	-
250	445T	3-3/8	-	-	-	-

### TS Series Shaft Diameters

H.P.	3600 RPM		1800 RPM	
	Frame No.	Shaft	Frame No.	Shaft
30	284TS	1-5/8	-	-
40	286TS	1-5/8	-	-
50	324TS	1-7/8	-	-
60	326TS	1-7/8	364TS	1-7/8
75	364TS	1-7/8	365TS	1-7/8
100	365TS	1-7/8	404TS	2-1/8
125	404TS	2-1/8	405TS	2-1/8
150	405TS	2-1/8	444TS	2-3/8
200	444TS	2-3/8	445TS	2-3/8
250	445TS	2-3/8	-	-

NOTE: Suffix S denotes short shaft motor for direct coupled service. For belt drives consult motor manufacturer.

## Dimensions



FRAME NO.	SHAFT		KEY			DIMENSIONS - INCHES						
	U	V	W	T	L	A	B	D	E	F	BA	NW
143T	7/8	2	3/16	3/16	1-3/8	7	6	3-1/2	2-3/4	2	2-1/4	2-1/4
145T	7/8	2	3/16	3/16	1-3/8	7	6	3-1/2	2-3/4	2-1/2	2-1/4	2-1/4
182	7/8	2	3/16	3/16	1-3/8	9	6-1/2	4-1/2	3-3/4	2-1/4	2-3/4	2-1/4
182T	1-1/8	2-1/2	1/4	1/4	1-3/4	9	6-1/2	4-1/2	3-3/4	2-1/4	2-3/4	2-3/4
184	7/8	2	3/16	3/16	1-3/8	9	7-1/2	4-1/2	3-3/4	2-3/4	2-3/4	2-1/4
184T	1-1/8	2-1/2	1/4	1/4	1-3/4	9	7-1/2	4-1/2	3-3/4	2-3/4	2-3/4	2-3/4
203	3/4	2	3/16	3/16	1-3/8	10	7-1/2	5	4	2-3/4	3-1/8	2-1/4
204	3/4	2	3/16	3/16	1-3/8	10	8-1/2	5	4	3-1/4	3-1/8	2-1/4
213	1-1/8	2-3/4	1/4	1/4	2	10-1/2	7-1/2	5-1/4	4-1/4	2-3/4	3-1/2	3
213T	1-3/8	3-1/8	5/16	5/16	2-3/8	10-1/2	7-1/2	5-1/4	4-1/4	2-3/4	3-1/2	3-3/8
215	1-1/8	2-3/4	1/4	1/4	2	10-1/2	9	5-1/4	4-1/4	3-1/2	3-1/2	3
215T	1-3/8	3-1/8	5/16	5/16	2-3/8	10-1/2	9	5-1/4	4-1/4	3-1/2	3-1/2	3-3/8
224	1	2-3/4	1/4	1/4	2	11	8-3/4	5-1/2	4-1/2	3-3/8	3-1/2	3
225	1	2-3/4	1/4	1/4	2	11	9-1/2	5-1/2	4-1/2	3-3/4	3-1/2	3
254	1-1/8	3-1/8	1/4	1/4	2-3/8	12-1/2	10-3/4	6-1/4	5	4-1/8	4-1/4	3-3/8
254U	1-3/8	3-1/2	5/16	5/16	2-3/4	12-1/2	10-3/4	6-1/4	5	4-1/8	4-1/4	3-3/4
254T	1-5/8	3-3/4	3/8	3/8	2-7/8	12-1/2	10-3/4	6-1/4	5	4-1/8	4-1/4	4
256U	1-3/8	3-1/2	5/16	5/16	2-3/4	12-1/2	12-1/2	6-1/4	5	5	4-1/4	3-3/4
256T	1-5/8	3-3/4	3/8	3/8	2-7/8	12-1/2	12-1/2	6-1/4	5	5	4-1/4	4
284	1-1/4	3-1/2	1/4	1/4	2-3/4	14	12-1/2	7	5-1/2	4-3/4	4-3/4	3-3/4
284U	1-5/8	4-5/8	3/8	3/8	3-3/4	14	12-1/2	7	5-1/2	4-3/4	4-3/4	4-7/8
284T	1-7/8	4-3/8	1/2	1/2	3-1/4	14	12-1/2	7	5-1/2	4-3/4	4-3/4	4-5/8
284TS	1-5/8	3	3/8	3/8	1-7/8	14	12-1/2	7	5-1/2	4-3/4	4-3/4	3-1/4
286U	1-5/8	4-5/8	3/8	3/8	3-3/4	14	14	7	5-1/2	5-1/2	4-3/4	4-7/8
286T	1-7/8	4-3/8	1/2	1/2	3-1/4	14	14	7	5-1/2	5-1/2	4-3/4	4-5/8
286TS	1-5/8	3	3/8	3/8	1-7/8	14	14	7	5-1/2	5-1/2	4-3/4	3-1/4
324	1-5/8	4-5/8	3/8	3/8	3-3/4	16	14	8	6-1/4	5-1/4	5-1/4	4-7/8
324U	1-7/8	5-3/8	1/2	1/2	4-1/4	16	14	8	6-1/4	5-1/4	5-1/4	5-5/8
324S	1-5/8	3	3/8	3/8	1-7/8	16	14	8	6-1/4	5-1/4	5-1/4	3-1/4
324T	2-1/8	5	1/2	1/2	3-7/8	16	14	8	6-1/4	5-1/4	5-1/4	5-1/4
324TS	1-7/8	3-1/2	1/2	1/2	2	16	14	8	6-1/4	5-1/4	5-1/4	3-3/4
326	1-5/8	4-5/8	3/8	3/8	3-3/4	16	15-1/2	8	6-1/4	6	5-1/4	4-7/8
326U	1-7/8	5-3/8	1/2	1/2	4-1/4	16	15-1/2	8	6-1/4	6	5-1/4	5-5/8
326S	1-5/8	3	3/8	3/8	1-7/8	16	15-1/2	8	6-1/4	6	5-1/4	3-1/4
326T	2-1/8	5	1/2	1/2	3-7/8	16	15-1/2	8	6-1/4	6	5-1/4	5-1/4
326TS	1-7/8	3-1/2	1/2	1/2	2	16	15-1/2	8	6-1/4	6	5-1/4	3-3/4
364	1-7/8	5-3/8	1/2	1/2	4-1/4	18	15-1/4	9	7	5-5/8	5-7/8	5-5/8
364S	1-5/8	3	3/8	3/8	1-7/8	18	15-1/4	9	7	5-5/8	5-7/8	3-1/4
364U	2-1/8	6-1/8	1/2	1/2	5	18	15-1/4	9	7	5-5/8	5-7/8	6-3/8
364US	1-7/8	3-1/2	1/2	1/2	2	18	15-1/4	9	7	5-5/8	5-7/8	3-3/4
364T	2-3/8	5-5/8	5/8	5/8	4-1/4	18	15-1/4	9	7	5-5/8	5-7/8	5-7/8
364TS	1-7/8	3-1/2	1/2	1/2	2	18	15-1/4	9	7	5-5/8	5-7/8	3-3/4
365	1-7/8	5-3/8	1/2	1/2	4-1/4	18	16-1/4	9	7	6-1/8	5-7/8	5-5/8
365S	1-5/8	3	3/8	3/8	1-7/8	18	16-1/4	9	7	6-1/8	5-7/8	3-1/4
365U	2-1/8	6-1/8	1/2	1/2	5	18	16-1/4	9	7	6-1/8	5-7/8	6-3/8
365US	1-7/8	3-1/2	1/2	1/2	2	18	16-1/4	9	7	6-1/8	5-7/8	3-3/4
365T	2-3/8	5-5/8	5/8	5/8	4-1/4	18	16-1/4	9	7	6-1/8	5-7/8	5-7/8
365TS	1-7/8	3-1/2	1/2	1/2	2	18	16-1/4	9	7	6-1/8	5-7/8	3-3/4
404	2-1/8	6-1/8	1/2	1/2	5	20	16-1/4	10	8	6-1/8	6-5/8	6-3/8
404S	1-7/8	3-1/2	1/2	1/2	2	20	16-1/4	10	8	6-1/8	6-5/8	3-3/4
404U	2-3/8	6-7/8	5/8	5/8	5-1/2	20	16-1/4	10	8	6-1/8	6-5/8	7-1/8
404US	2-1/8	4	1/2	1/2	2-3/4	20	16-1/4	10	8	6-1/8	6-5/8	4-1/4
404T	2-7/8	7	3/4	3/4	5-5/8	20	16-1/4	10	8	6-1/8	6-5/8	7-1/4
404TS	2-1/8	4	1/2	1/2	2-3/4	20	16-1/4	10	8	6-1/8	6-5/8	4-1/4
405	2-1/8	6-1/8	1/2	1/2	5	20	17-3/4	10	8	6-7/8	6-5/8	6-3/8
405S	1-7/8	3-1/2	1/2	1/2	2	20	17-3/4	10	8	6-7/8	6-5/8	3-3/4
405U	2-3/8	6-7/8	5/8	5/8	5-1/2	20	17-3/4	10	8	6-7/8	6-5/8	7-1/8
405US	2-1/8	4	1/2	1/2	2-3/4	20	17-3/4	10	8	6-7/8	6-5/8	4-1/4
405T	2-7/8	7	3/4	3/4	5-5/8	20	17-3/4	10	8	6-7/8	6-5/8	7-1/4
405TS	2-1/8	4	1/2	1/2	2-3/4	20	17-3/4	10	8	6-7/8	6-5/8	4-1/4
444	2-3/8	6-7/8	5/8	5/8	5-1/2	22	18-1/2	11	9	7-1/4	7-1/2	7-1/8
444S	2-1/8	4	1/2	1/2	2-3/4	22	18-1/2	11	9	7-1/4	7-1/2	4-1/4
444U	2-7/8	8-3/8	3/4	3/4	7	22	18-1/2	11	9	7-1/4	7-1/2	8-5/8
444US	2-1/8	4	1/2	1/2	2-3/4	22	18-1/2	11	9	7-1/4	7-1/2	4-1/4
444T	3-3/8	8-1/4	7/8	7/8	6-7/8	22	18-1/2	11	9	7-1/4	7-1/2	8-1/2
444TS	2-3/8	4-1/2	5/8	5/8	3	22	18-1/2	11	9	7-1/4	7-1/2	4-3/4
445	2-3/8	6-7/8	5/8	5/8	5-1/2	22	20-1/2	11	9	8-1/4	7-1/2	7-1/8
445S	2-1/8	4	1/2	1/2	2-3/4	22	20-1/2	11	9	8-1/4	7-1/2	4-1/4
445U	2-7/8	8-3/8	3/4	3/4	7	22	20-1/2	11	9	8-1/4	7-1/2	8-5/8
445US	2-1/8	4	1/2	1/2	2-3/4	22	20-1/2	11	9	8-1/4	7-1/2	4-1/4
445T	3-3/8	8-1/4	7/8	7/8	6-7/8	22	20-1/2	11	9	8-1/4	7-1/2	8-1/2
445TS	2-3/8	4-1/2	5/8	5/8	4	22	20-1/2	11	9	8-1/4	7-1/2	4-3/4
504U	2-7/8	8-3/8	3/4	3/4	7-1/4	25	21	12-1/2	10	8	8-1/2	8-5/8
504S	2-1/8	4	1/2	1/2	2-3/4	25	21	12-1/2	10	8	8-1/2	4-1/4
505	2-7/8	8-3/8	3/4	3/4	7-1/4	25	23	12-1/2	10	9	8-1/2	8-5/8
505S	2-1/8	4	1/2	1/2	2-3/4	25	23	12-1/2	10	9	8-1/2	4-1/4

# Useful Engineering Formulas

## Horsepower

Horsepower (HP) is the rate of doing work. One HP is equal to raising 33,000 lbs. one foot in one min.

$$HP = \frac{\text{Force} \times \text{FPM}}{33,000}$$

$$HP = \frac{\text{Torque (Inch Pounds)} \times \text{RPM}}{63,025}$$

$$HP = \frac{\text{Torque (Foot Pounds)} \times \text{RPM}}{5,252}$$

## Torque

Torque (T) is a turning movement or twisting effort.

$$T \text{ (Inch Pounds)} = \frac{63,025 \times \text{HP}}{\text{RPM}}$$

$$T \text{ (Foot Pounds)} = \frac{5,252 \times \text{HP}}{\text{RPM}}$$

$$T \text{ (Inch Pounds)} = \text{Force (Pounds)} \times \text{Lever Arm (Inches)}$$

$$T \text{ (Foot Pounds)} = \text{Force (Pounds)} \times \text{Lever Arm (Feet)}$$

$$T \text{ (Foot Pounds)} = \text{Newton - Meters} \times .7376$$

## Kilowatts to HP

$$HP = \text{Kilowatts} \times 1.341$$

## Belt Speed

$$\text{FPM} = \text{Diameter (Inches)} \times \text{RPM} \times .262$$

## Revolutions Per Minute

$$\text{RPM} = \frac{\text{FPM}}{.262 \times \text{Diameter (Inches)}}$$

## Belt Length

To determine the belt length to use for a drive when the center distance and wheel diameters are known:

C = Center Distance      D = Large Wheel Diameter      d = Small Wheel Diameter

$$\text{Belt Length} = 2C + 1.57 (D + d) + \frac{(D - d)^2}{4C}$$

## Center Distance

To determine the actual center distance (C) on which a given drive will operate:

L = Belt Length      D = Large Wheel Diameter      d = Small Wheel Diameter

$$A = L - 1.57 (D + d)$$

Factor h – from following chart

$\frac{D-d}{A}$	h	$\frac{D-d}{A}$	h	$\frac{D-d}{A}$	h	$\frac{D-d}{A}$	h
0.00	0.00	0.16	0.08	0.30	0.16	0.43	0.24
0.02	0.01	0.18	0.09	0.32	0.17	0.44	0.25
0.04	0.02	0.20	0.10	0.34	0.18	0.46	0.26
0.06	0.03	0.21	0.11	0.35	0.19	0.47	0.27
0.08	0.04	0.23	0.12	0.37	0.20	0.48	0.28
0.10	0.05	0.25	0.13	0.39	0.21	0.50	0.29
0.12	0.06	0.27	0.14	0.40	0.22	0.51	0.30
0.14	0.07	0.29	0.15	0.41	0.23	-	-

$$C = \frac{[A - h(D - d)]}{2}$$

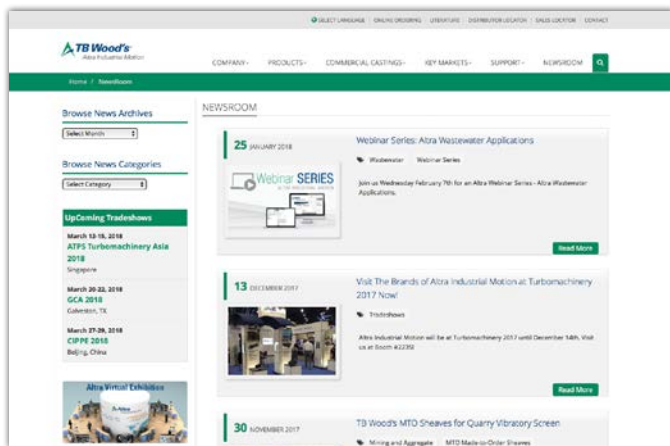
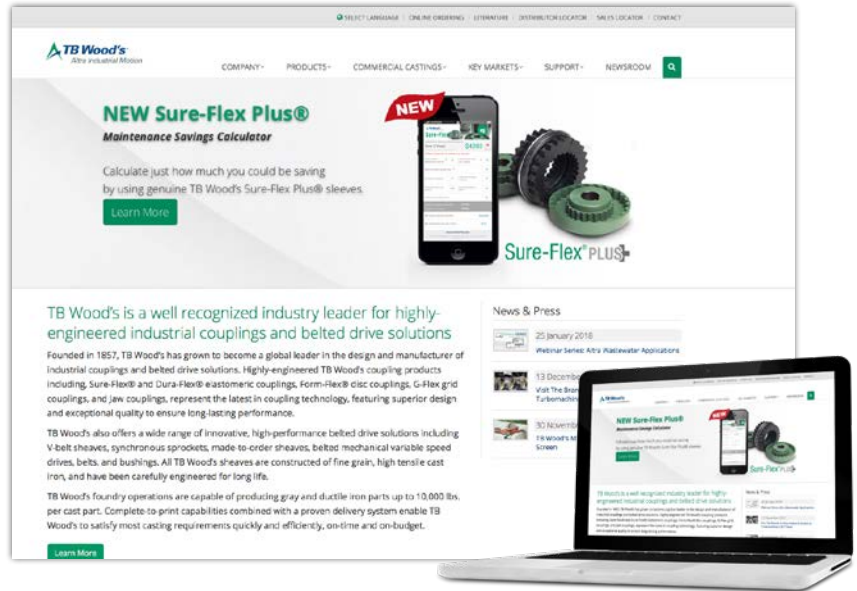
# TB Wood's Online Resources

VISIT US ON THE WEB AT  
**TBWOODS.COM**

## Everything TB Wood's

From the TB Wood's homepage you can explore all of our resources and visit our key market portals to find solutions for your specific needs.

**WWW.TBWOODS.COM**



## Get Connected

The TB Wood's Newsroom makes it quick and easy for you to get the news you need when you need it. From new literature releases to trade show schedules, the news is at your fingertips 24 hours a day.

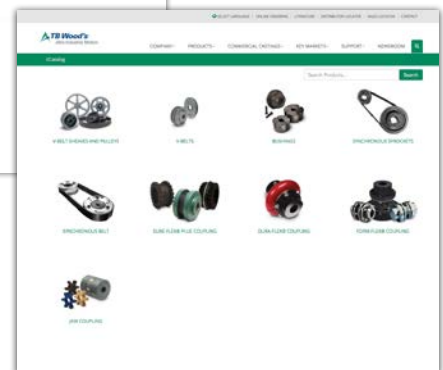
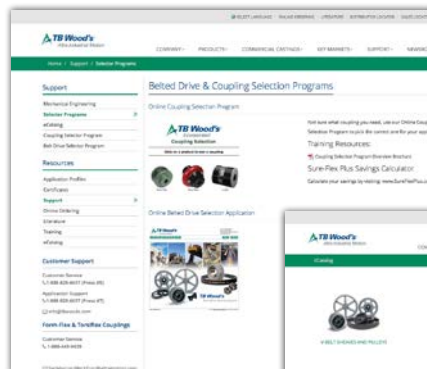
**WWW.TBWOODS.COM/NEWSROOM**

## Selection Programs & eCatalog

Use the Online Coupling Selection Program as well as the Belt Drive Selector to choose the correct product for your application. Additionally, the eCatalog offers product selections and comparisons to meet your specific needs.

**WWW.TBWOODS.COM/  
SUPPORT/SELECTOR-PROGRAMS**

**WWW.TBWOODS.COM/ECATALOG**



## TB Wood's Facilities

### North America

#### USA

440 North Fifth Avenue  
Chambersburg, PA 17201 - USA  
888-829-6637 \* 717-264-7161

*Belted Drives and Elastomeric Couplings*

#### Customer Service

1-888-829-6637 (Press #5)

#### For Application Support

1-888-829-6637 (Press #7)

2000 Clovis Barker Road  
San Marcos, TX 78666 - USA  
1-888-449-9439

*General Purpose Disc Couplings*

#### Customer Service

1-888-449-9439

4970 Joule St  
Reno, NV 89502 - USA  
775-857-1800

#### Canada

9779 45 Ave NW  
Edmonton, AB T6E 5V8 - Canada  
+1 780-439-7979

6305 Danville Road  
Mississauga, ON L5T 2H7 - Canada  
1-800-829-6631

1073 Rue Bégin  
Saint-Laurent, QC H4R 1V8 - Canada  
+1 514-332-4812

#### Mexico

Comisión Federal de Electricidad 850,  
Industrial San Luis,  
San Luis, S.L.P., 78395 - Mexico  
+52 444 137 1500

### Europe

Merchant Drive, Hertford  
Hertfordshire SG13 7BL - England  
+44(0)1992 501900  
*Elastomeric Couplings*

## The Brands of Altra Industrial Motion

### Couplings

**Ameridrives**  
[www.ameridrives.com](http://www.ameridrives.com)

**Bibby Turboflex**  
[www.bibbyturboflex.com](http://www.bibbyturboflex.com)

**Guardian Couplings**  
[www.guardiancouplings.com](http://www.guardiancouplings.com)

**Huco**  
[www.huco.com](http://www.huco.com)

**Lamiflex Couplings**  
[www.lamiflexcouplings.com](http://www.lamiflexcouplings.com)

**Stromag**  
[www.stromag.com](http://www.stromag.com)

**TB Wood's**  
[www.tbwoods.com](http://www.tbwoods.com)

### Gearred Cam Limit Switches

**Stromag**  
[www.stromag.com](http://www.stromag.com)

### Electric Clutches & Brakes

**Inertia Dynamics**  
[www.idicb.com](http://www.idicb.com)

**Matrix**  
[www.matrix-international.com](http://www.matrix-international.com)

**Stromag**  
[www.stromag.com](http://www.stromag.com)

**Warner Electric**  
[www.warnerelectric.com](http://www.warnerelectric.com)

### Linear Products

**Warner Linear**  
[www.warnerlinear.com](http://www.warnerlinear.com)

### Engineered Bearing Assemblies

**Kilian**  
[www.kilianbearings.com](http://www.kilianbearings.com)

### Heavy Duty Clutches & Brakes

**Industrial Clutch**  
[www.indclutch.com](http://www.indclutch.com)

**Twiflex**  
[www.twiflex.com](http://www.twiflex.com)

**Stromag**  
[www.stromag.com](http://www.stromag.com)

**Svendborg Brakes**  
[www.svendborg-brakes.com](http://www.svendborg-brakes.com)

**Wichita Clutch**  
[www.wichitaclutch.com](http://www.wichitaclutch.com)

### Belted Drives

**TB Wood's**  
[www.tbwoods.com](http://www.tbwoods.com)

### Gearing

**Bauer Gear Motor**  
[www.bauergears.com](http://www.bauergears.com)

**Boston Gear**  
[www.bostongear.com](http://www.bostongear.com)

**Delroyd Worm Gear**  
[www.delroyd.com](http://www.delroyd.com)

**Nuttall Gear**  
[www.nuttallgear.com](http://www.nuttallgear.com)

### Overrunning Clutches

**Formsprag Clutch**  
[www.formsprag.com](http://www.formsprag.com)

**Marland Clutch**  
[www.marland.com](http://www.marland.com)

**Stieber**  
[www.stieberclutch.com](http://www.stieberclutch.com)

Neither the accuracy nor completeness of the information contained in this publication is guaranteed by the company and may be subject to change in its sole discretion. The operating and performance characteristics of these products may vary depending on the application, installation, operating conditions and environmental factors. The company's terms and conditions of sale can be viewed at <http://www.altramotion.com/terms-and-conditions/sales-terms-and-conditions>. These terms and conditions apply to any person who may buy, acquire or use a product referred to herein, including any person who buys from a licensed distributor of these branded products.

©2018 by TB Wood's LLC. All rights reserved. All trademarks in this publication are the sole and exclusive property of TB Wood's LLC or one of its affiliated companies.